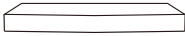
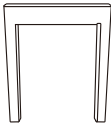




ASSEMBLE INSTRUCTION

Please read instructions carefully. See Hardware and Furniture Parts List for guidance. Be sure you have all parts before you start assembling. Place all furniture parts on a clean and flat soft surface, such as carpet or a rug to prevent from being scratched.

Part List		HARDWARE	
 RATTAN SEATER (1pc)	 LEGS (2pc)	 BOLTS (6pc)	 RING (6pc)

FOR ASSEMBLY

- Sort out the parts and fits as shown. Assemble product step by step.
- Do not overtighten screws and nut.
- Re-tighten all screws and nut periodically.

STEP 1	STEP 2	COMPLETED
