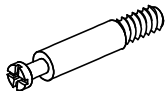



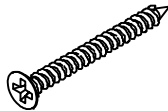
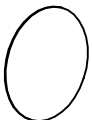
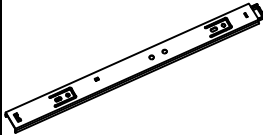

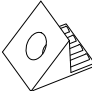
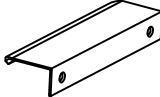
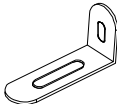

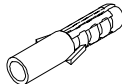
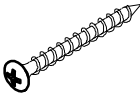
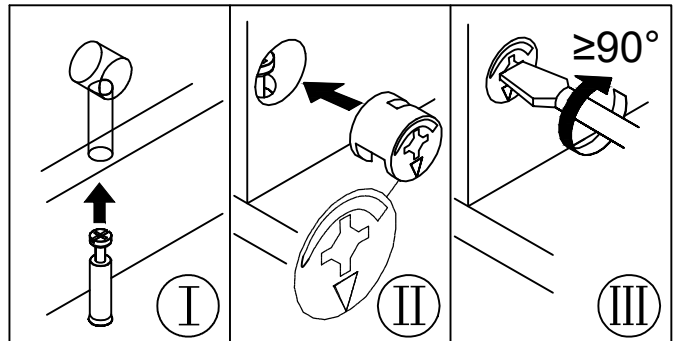
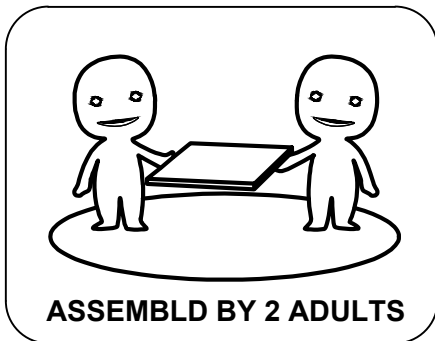
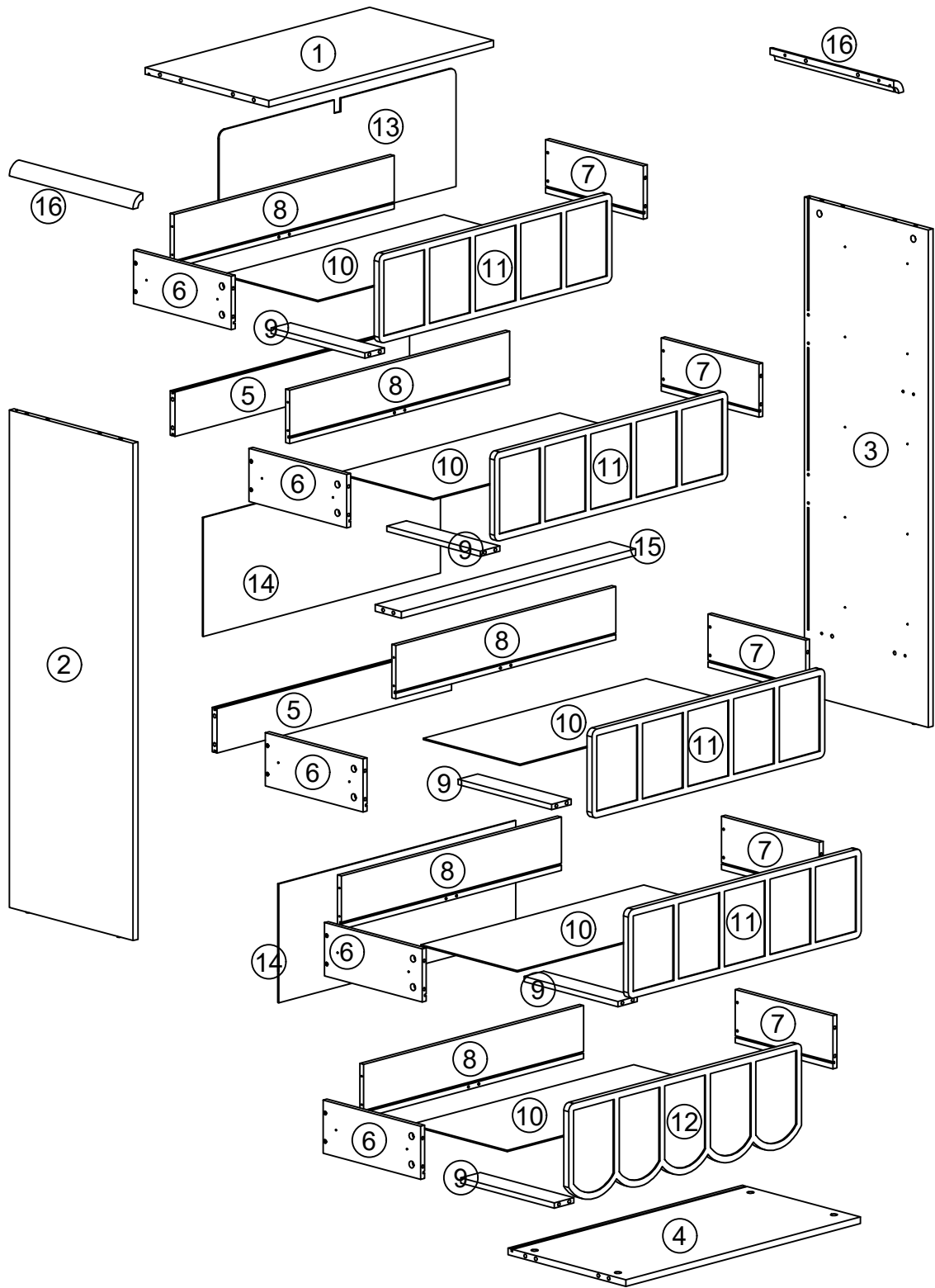
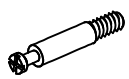


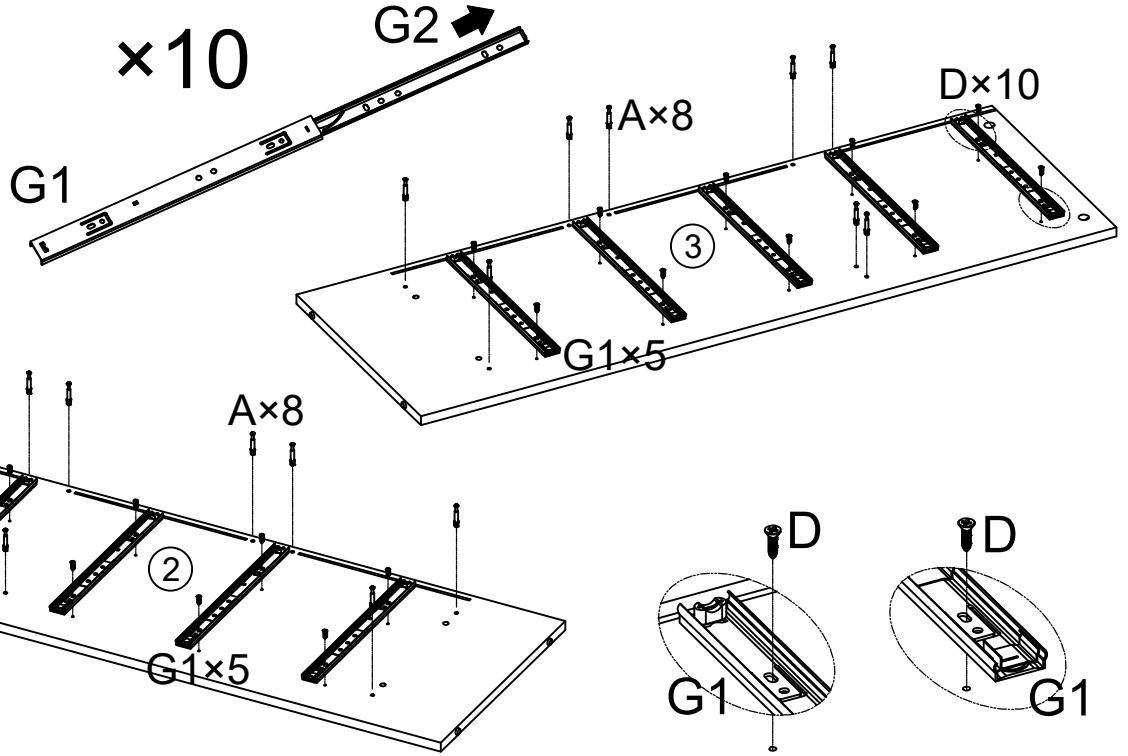
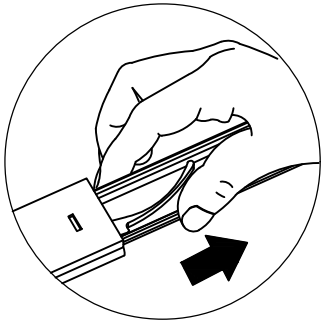


A×54PCS	B×24PCS	C×12PCS	D×61PCS	E×30PCS
 M6×35mm	 Ø15×12mm	 Ø8×30mm	 Ø3.5×14mm	 Ø4×35mm
F×54PCS	G×10PCS	H×30PCS	I×11PCS	J×5PCS
	 Ø15×9.3mm	 Ø15×9.3mm		
K×1PC	L×1PC	M×1PC	N×1PC	
	 Ø4×14mm	 Ø6×30mm	 Ø4×35mm	





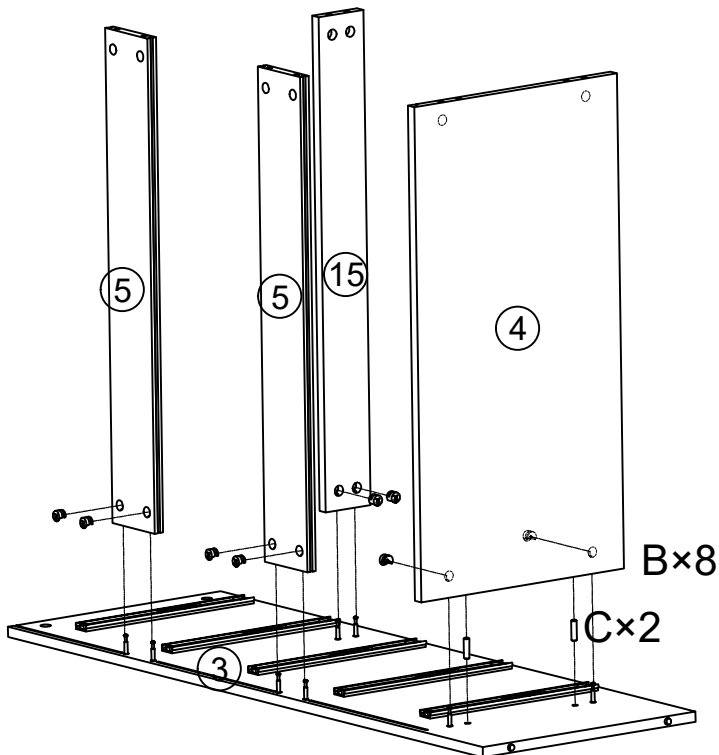
1.

A×16PCS  M6×35mm	D×20PCS  Ø3.5×14mm	G1×10PCS 
--	---	---

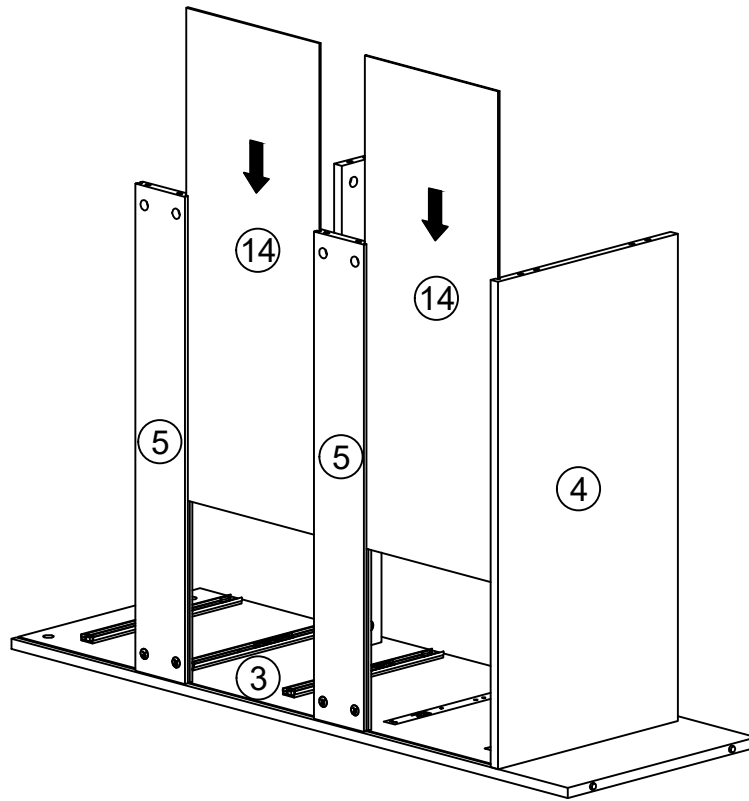




2.

B×8PCS  Ø15×12mm	C×2PCS  Ø8×30mm
---	--

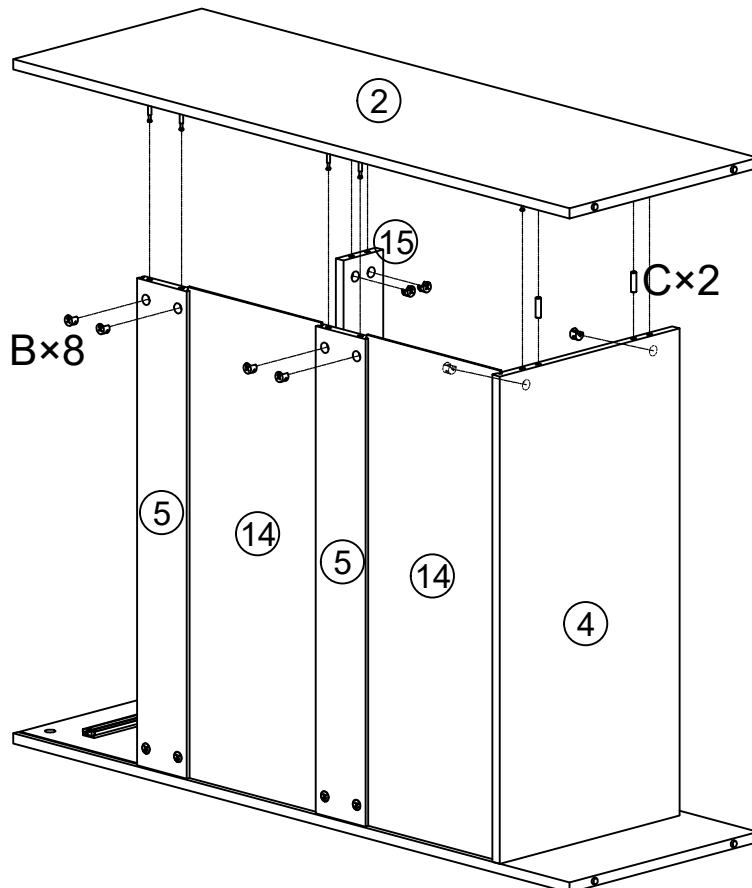


3.

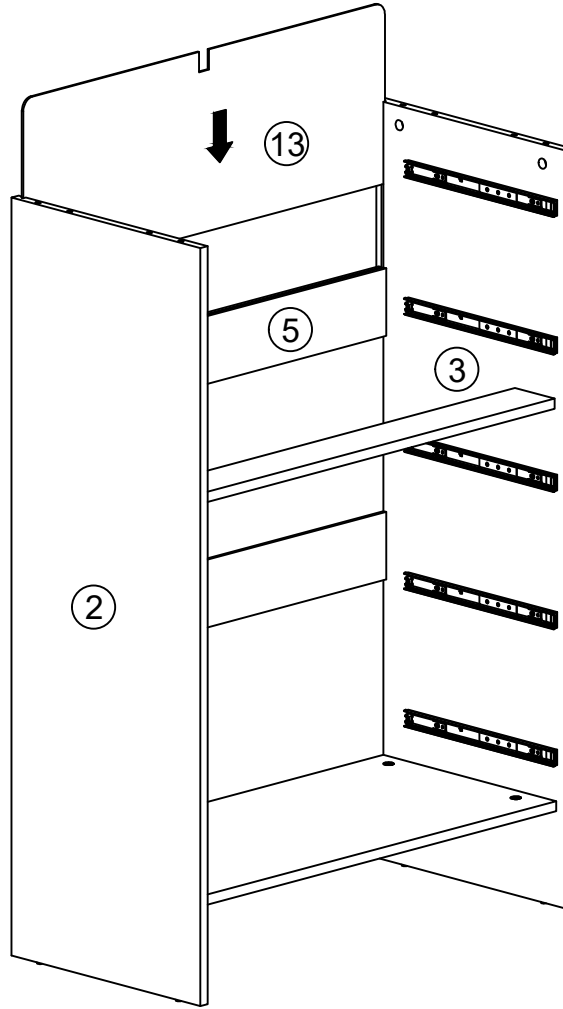


B×8PCS	C×2PCS
 Ø15×12mm	 Ø8×30mm




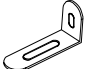

4.

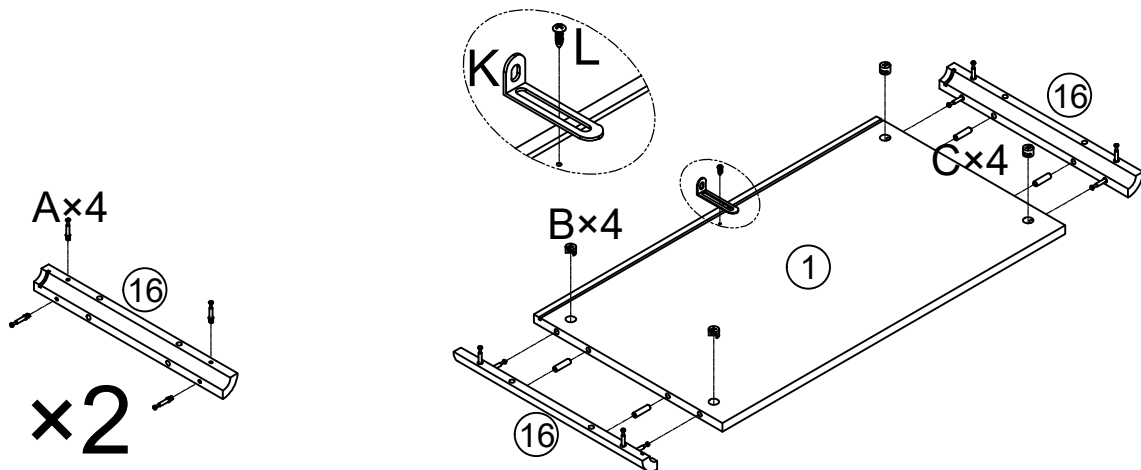




5.



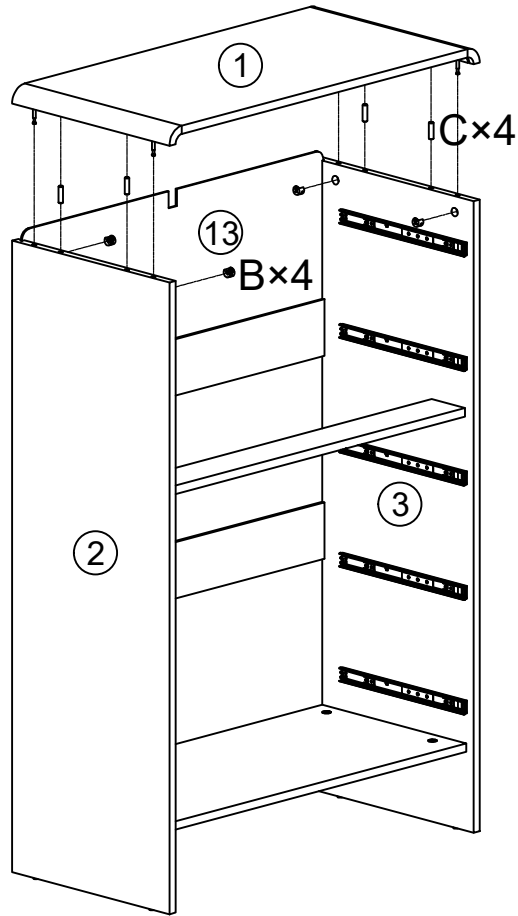
6.





A×8PCS	B×4PCS	C×4PCS	K×1PC	L×1PC
				
M6×35mm	Ø15×12mm	Ø8×30mm		Ø4×14mm



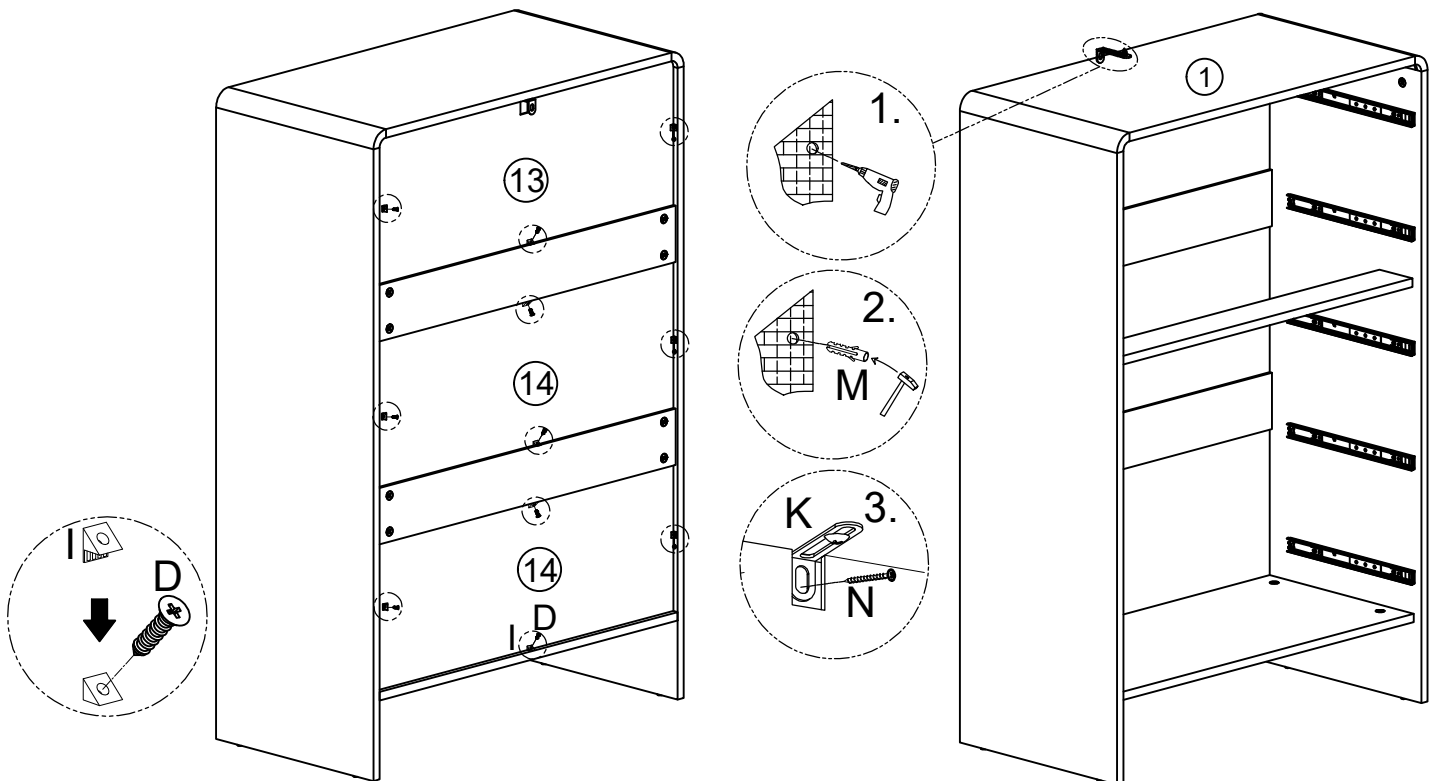
B×4PCS	C×4PCS
	
Ø15×12mm	Ø8×30mm

7.



D×11PCS	I×11PCS	M×1PC	N×1PC
			
Ø3.5×14mm		Ø6×30mm	Ø4×35mm

8.

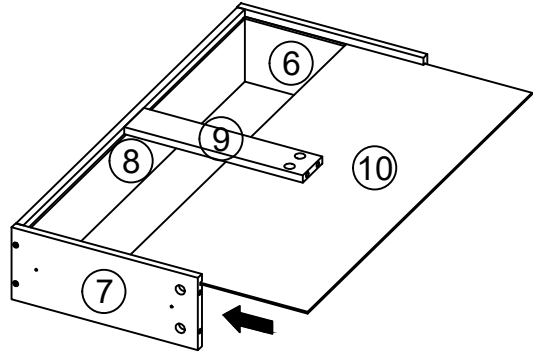
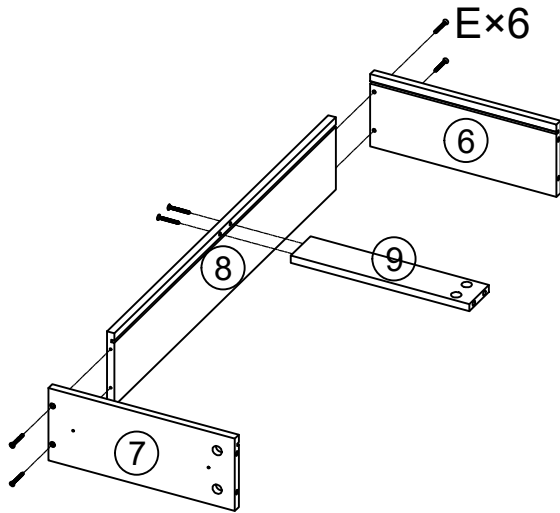


9.

E×30PCS



Ø4×35mm



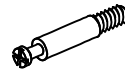
×5

10.

A×30PCS

D×10PCS

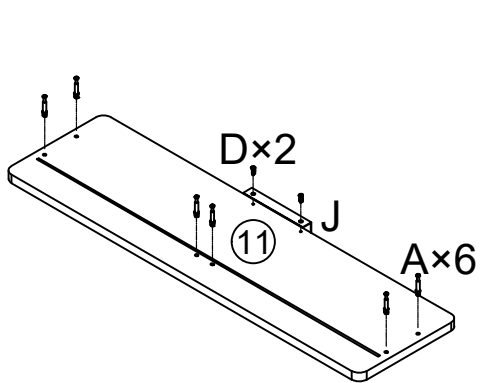
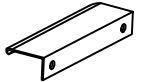
J×5PCS



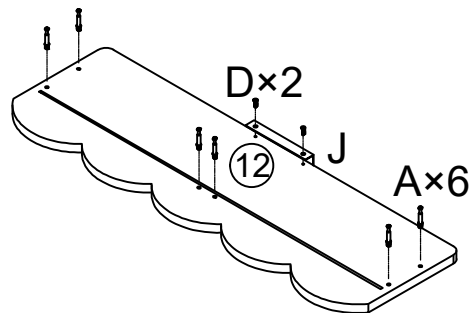
M6×35mm





Ø3.5×14mm

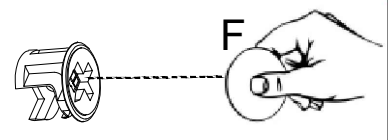
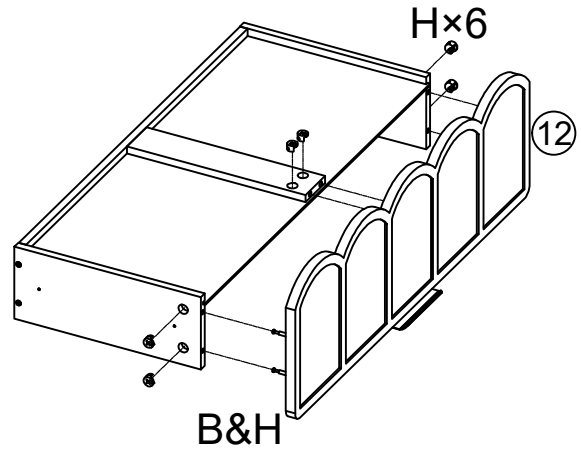
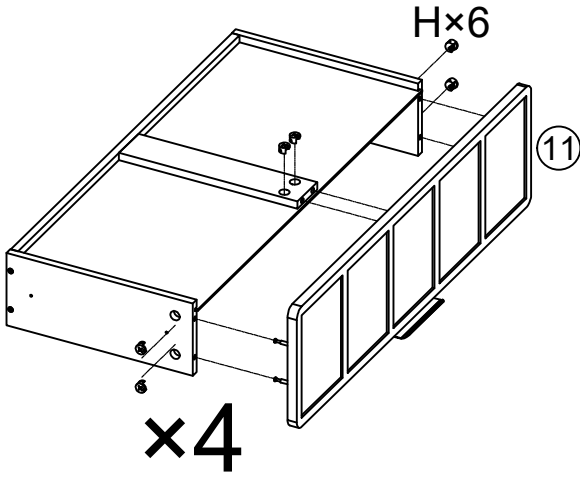




×4



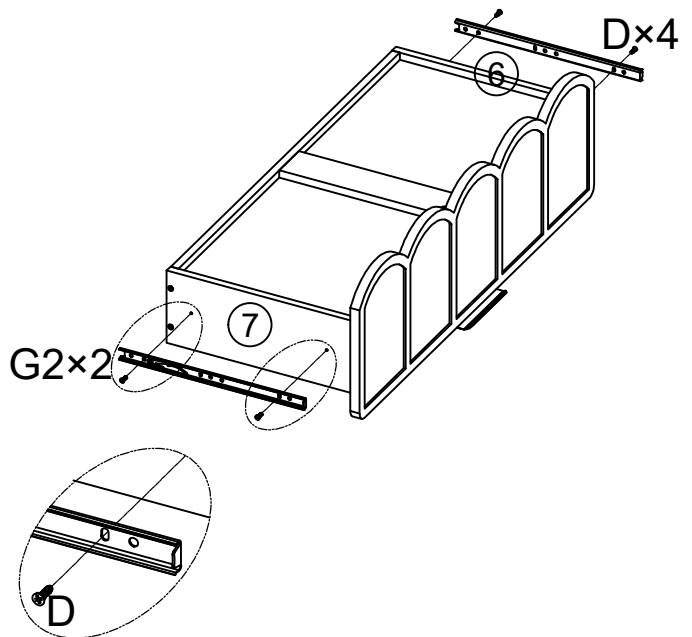
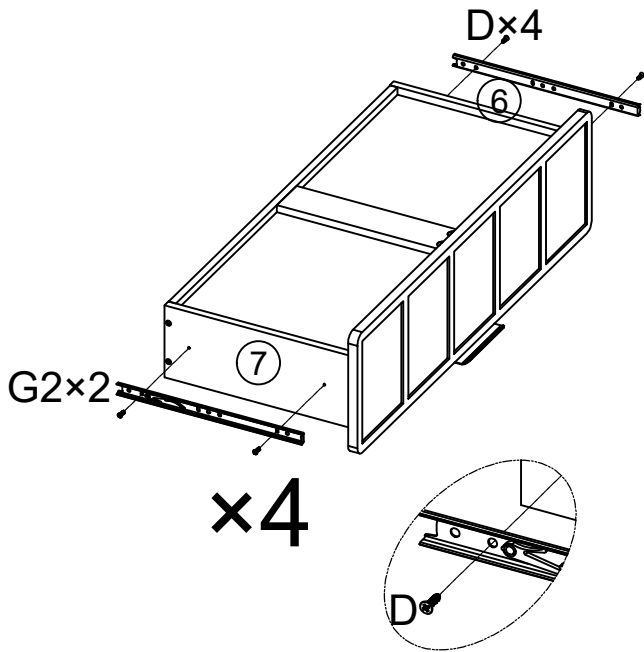
F×56PCS	H×30PCS
	
	Ø15×9.3mm

11.



D×20PCS	G2×10PCS
	
Ø3.5×14mm	

12.



13.

