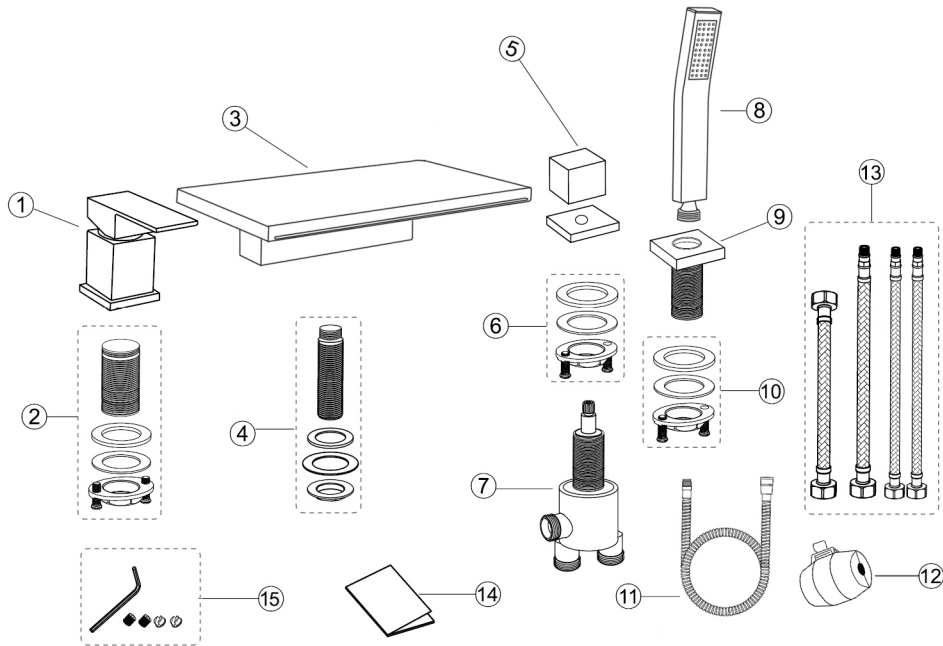


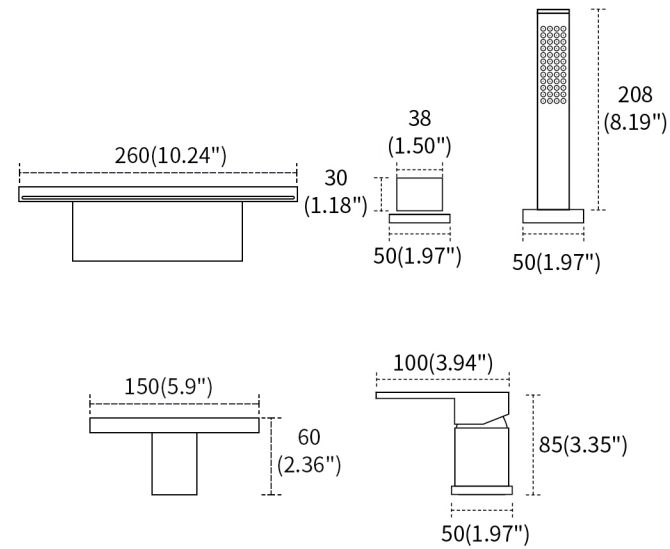
# INSTALLATION INSTRUCTIONS



## Parts list

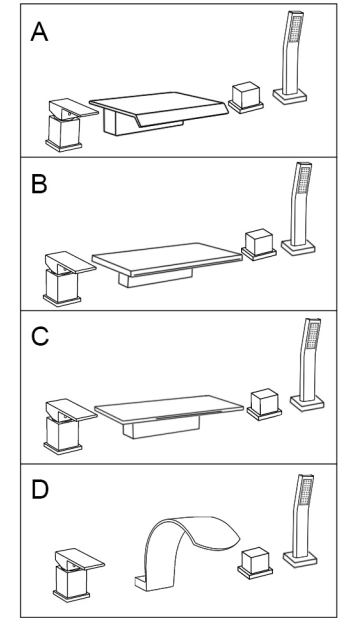
NO	PART NAME	QTY	NO	PART NAME	QTY
①	Handle part	1	②	Handle fixing parts	1
③	Spout	1	④	Spout fixing parts	1
⑤	Knob & cover	1	⑥	Diverter fixing parts	1
⑦	Diverter valve part	1	⑧	Hand shower	1
⑨	Cover & connector	1	⑩	Connector fixing parts	1
⑪	Shower hose	1	⑫	Weight ball	1
⑬	Water supply hoses	4	⑭	Screws bag	1
⑮	Instructions	1			

## Dimensional drawing



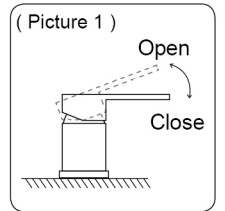
Unit: mm/ inch

## Faucet model

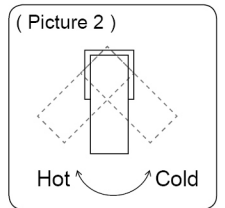


## Instructions for use

1. Turn on the faucet as picture 1 shows. The greater the handle angle, the greater the water flow; Conversely, the smaller the handle angle, the smaller the water flow, until it is closed.

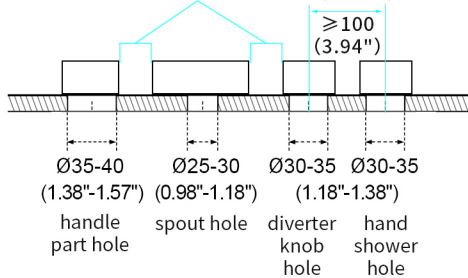


2. Turn on the faucet. Adjust handle to left to get more hot water; Adjust handle to right to get more cold water. Showed as picture 2.

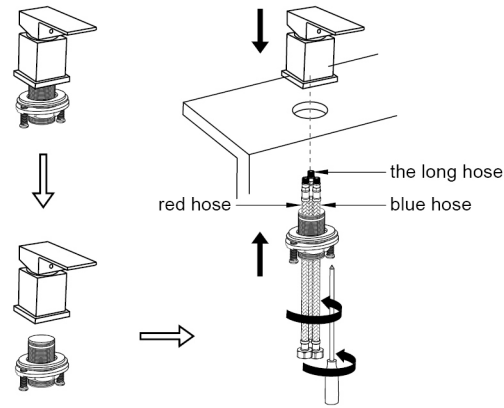


**Recommended opening holes size:  
(unit:mm/inch)**

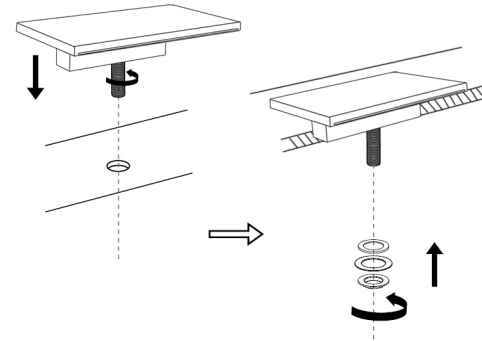
Adjust the distance according to the actual situation, it is recommended to be more than 50mm(1.96")



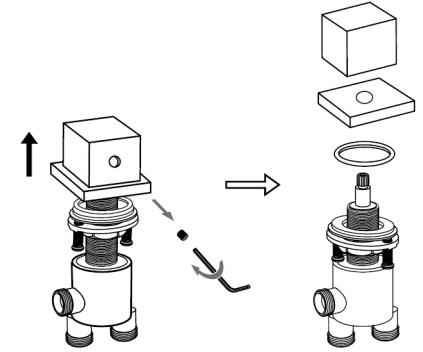
1. Drill holes as recommended opening holes size (Note: holes distance should as picture shows).



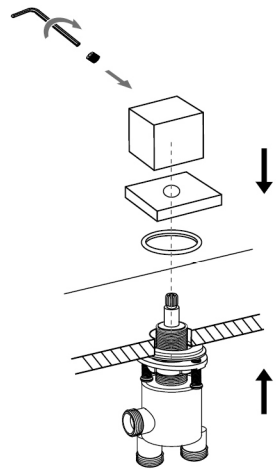
2. Disconnect handle fixing parts from handle parts, put red & blue hoses and the long hose through thread pipe and connect them to the handle part as picture shows, screw thread pipe to handle part then tighten the handle fixing parts.



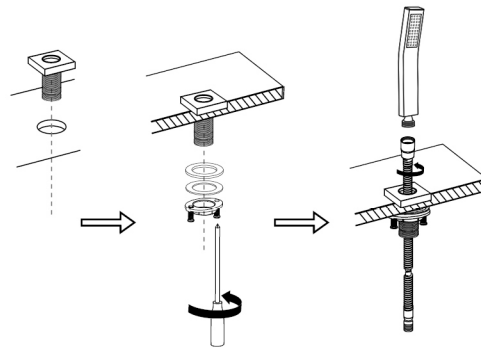
3. Screw spout fixing parts to spout, unscrew the washers and the fixing nut, place spout to bathtub hole, reinstall washers and fixing nut then hand tighten them.



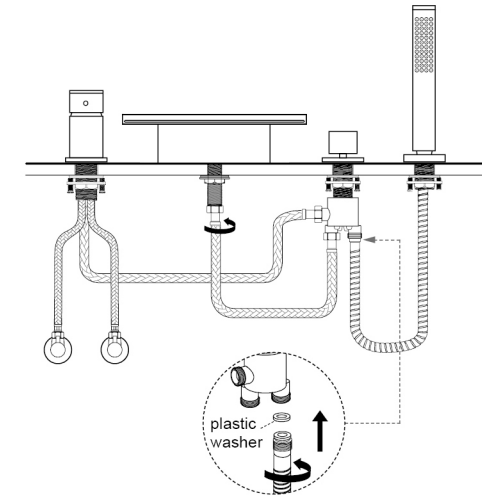
4. Use allen key to loose the screw in knob then disconnect knob & cover, rubber washer, diverter valve part as picture shows.



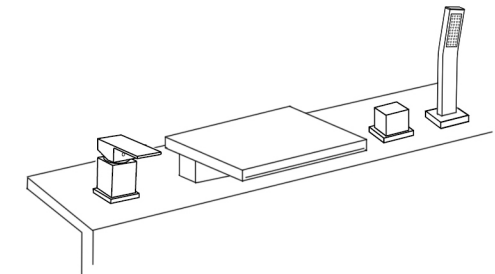
5. Pass the diverter valve part through bathtub hole as picture shows, reinstall the rubber washer, knob & cover then tighten the diverter fixing parts and the screw in the knob.



6. Unscrew the washers and fixing nut from cover & connector, place cover & connector to bathtub hole, reinstall the washers and fixing nut; connect hand shower and shower hose then place the shower hose to the bathtub hole as picture show.



7. Connect the red & blue hose to the hot and cold angle valves, connect the long hose to the hole on the side of diverter valve part, connect the short hose to the spout and the left hole of the diverter valve part, put the plastic washer on the connector of shower hose then screw it to the right hole of diverter valve part.



8. Turn on water, check for leakage, retighten the hoses if necessary.