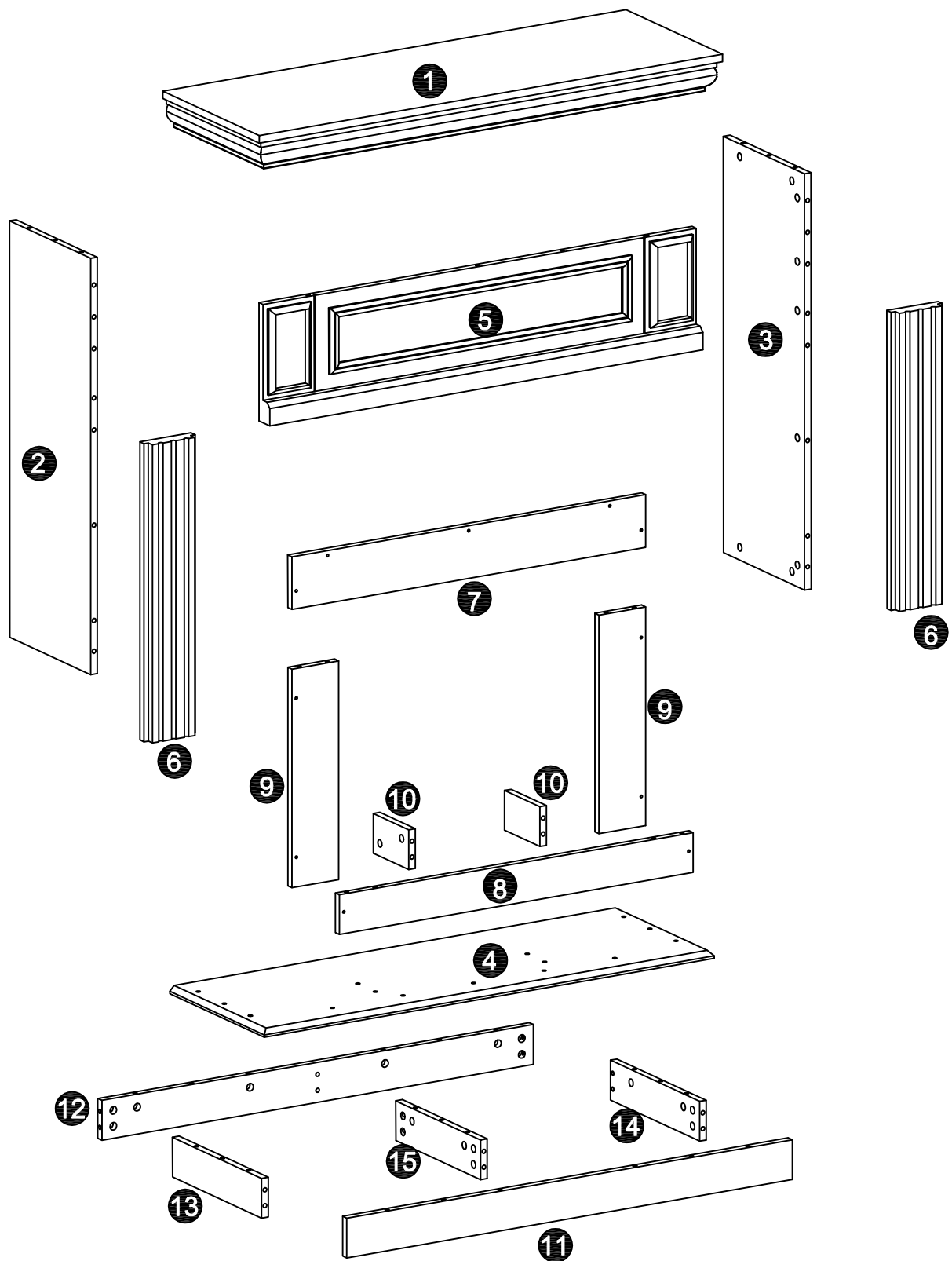


Fireplace Mantel

Item: JX-019














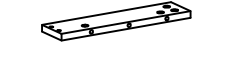
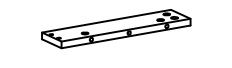
Assembly Instructions

NOTE: This instruction manual contains **IMPORTANT** safety information. Please read carefully before assembling the product

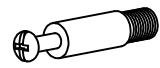

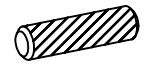


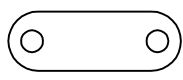
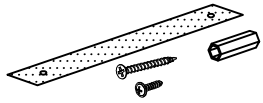


Note: Don't tighten all screws during installation.

Components

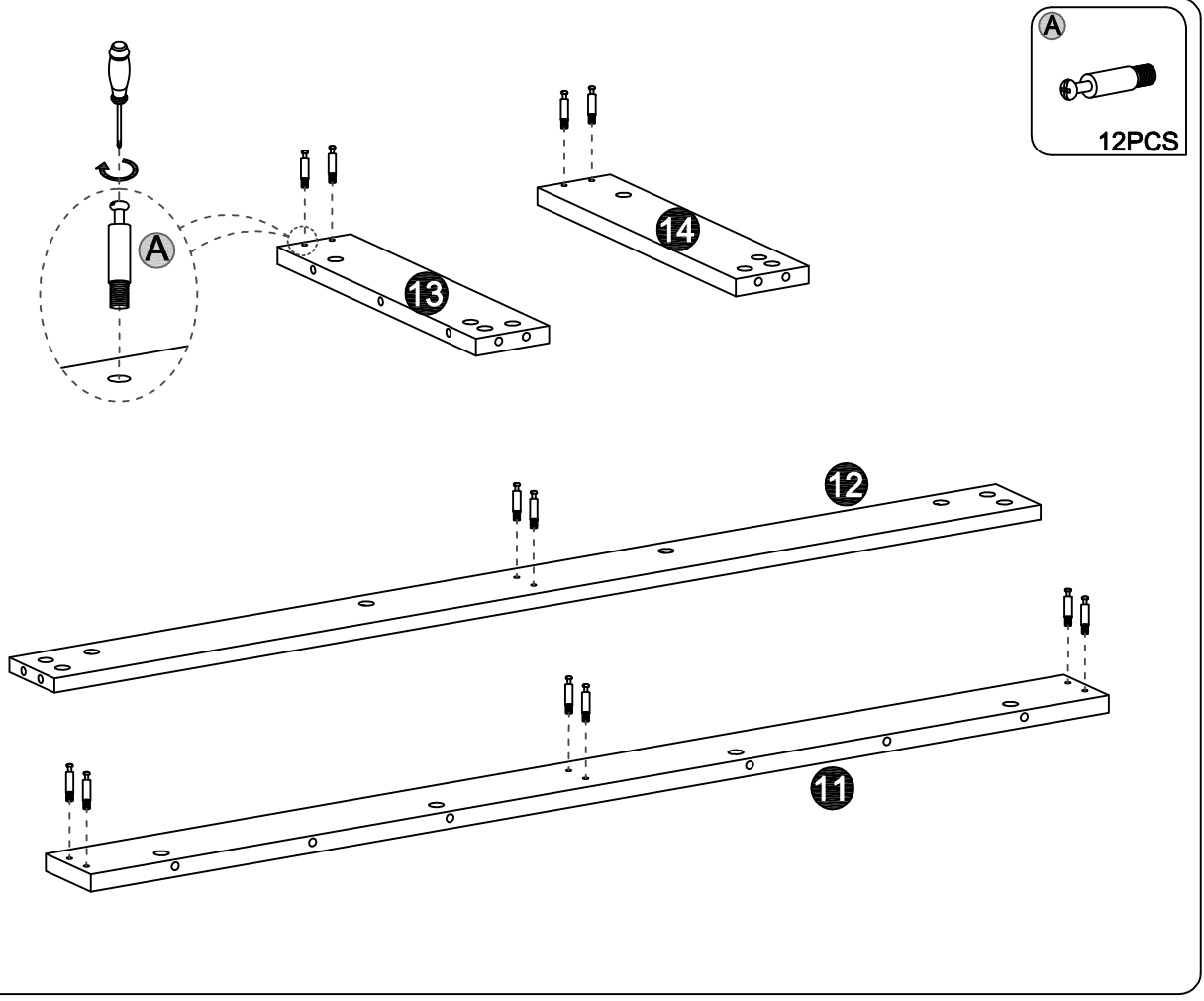
-  **1** x1
-  **2** x1
-  **3** x1
-  **4** x1
-  **5** x1
-  **6** x2
-  **7** x1
-  **8** x1
-  **9** x1
-  **10** x2
-  **11** x1
-  **12** x1
-  **13** x1
-  **14** x1
-  **15** x1

Screws & Tools

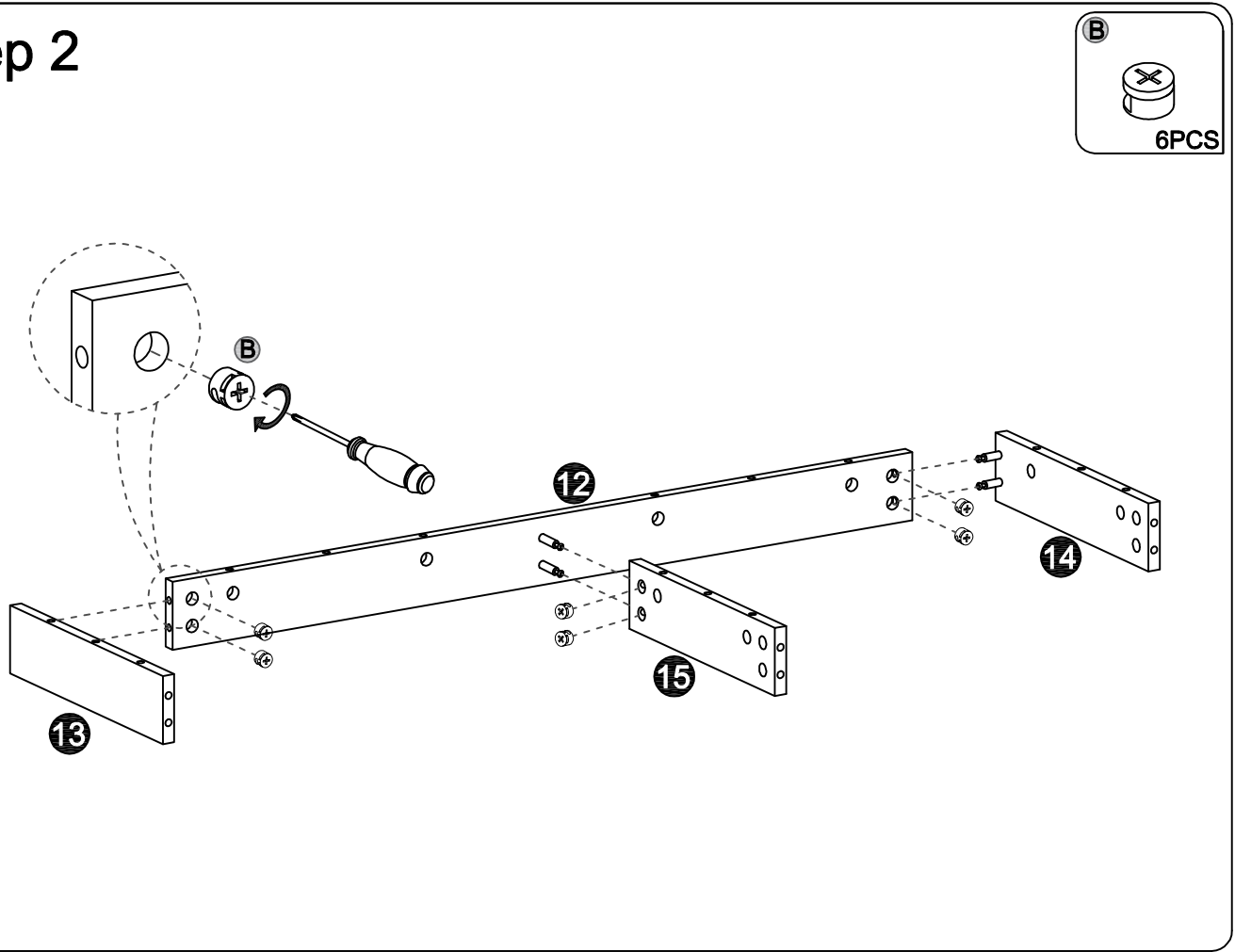
A		x54+1
B	 Ø15 x11mm	x54+1
C	 Ø8 x30mm	x33+1
D	 Ø3.5 x30mm	x11+1
E	 Ø3.5 x12mm	x8+1
F		x4
G		x1

Check all the components & screws before assembly.
Do not install in case part is missing, contact us to get.

Step 1

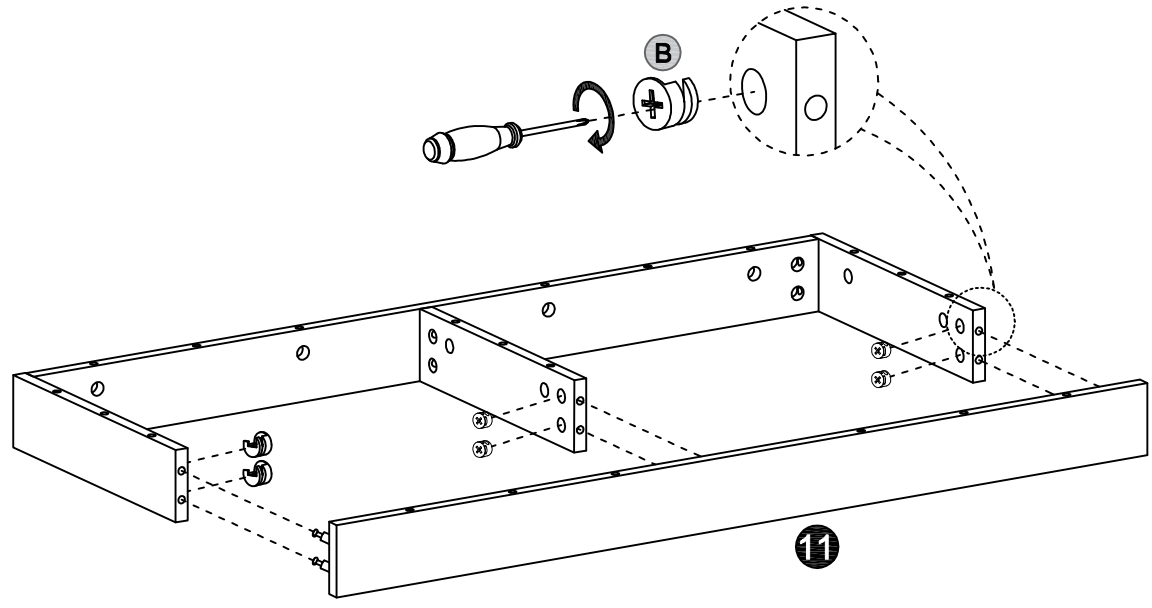


Step 2



Step 3

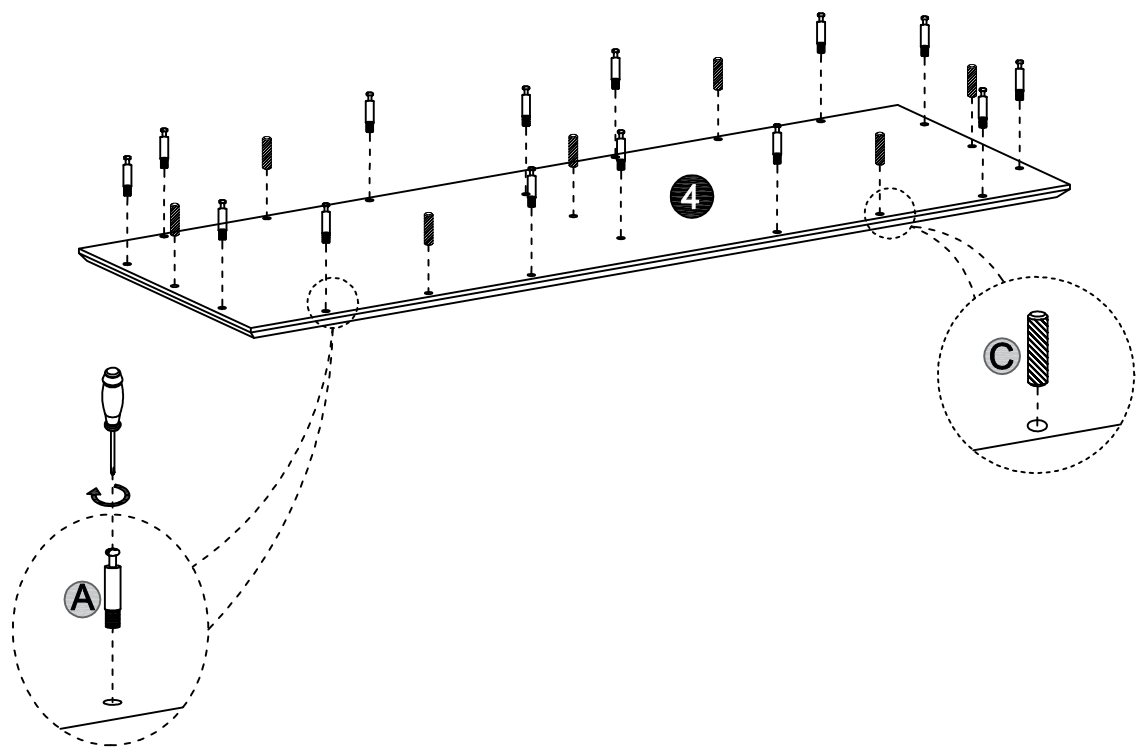
B
6PCS



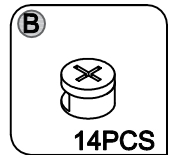
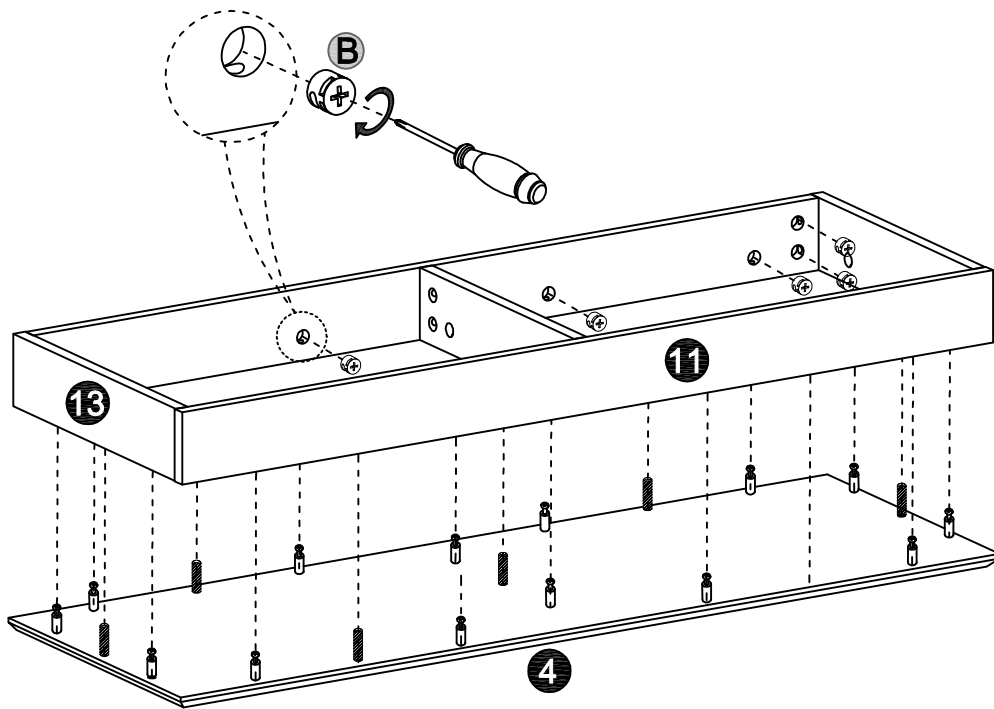
Step 4

A
14PCS

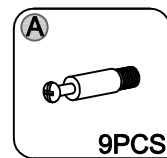
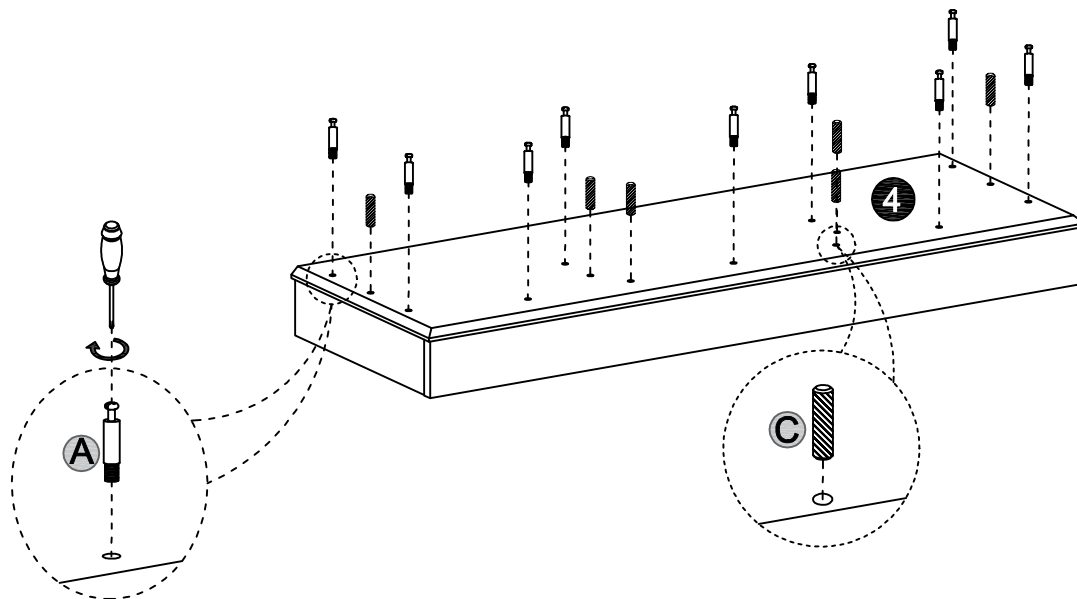
C
7PCS



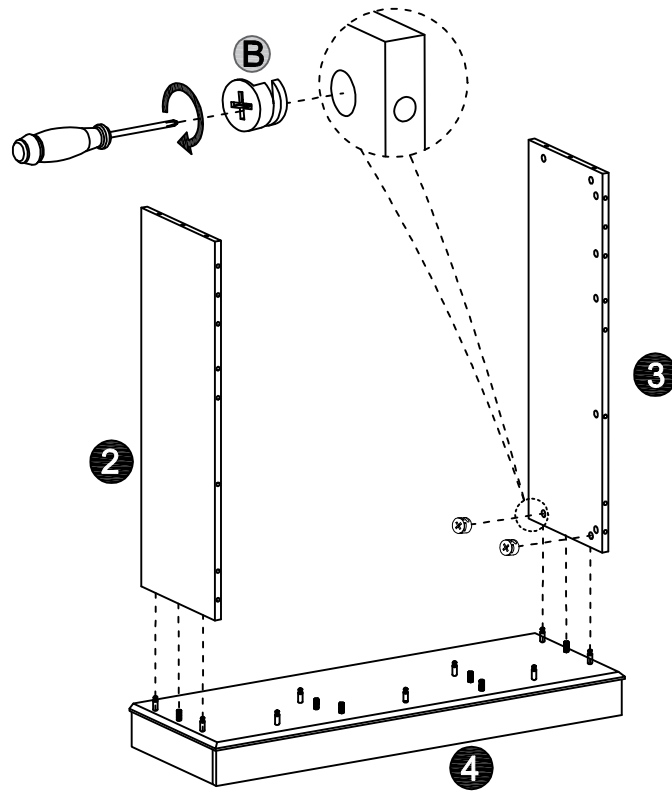
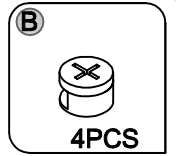
Step 5



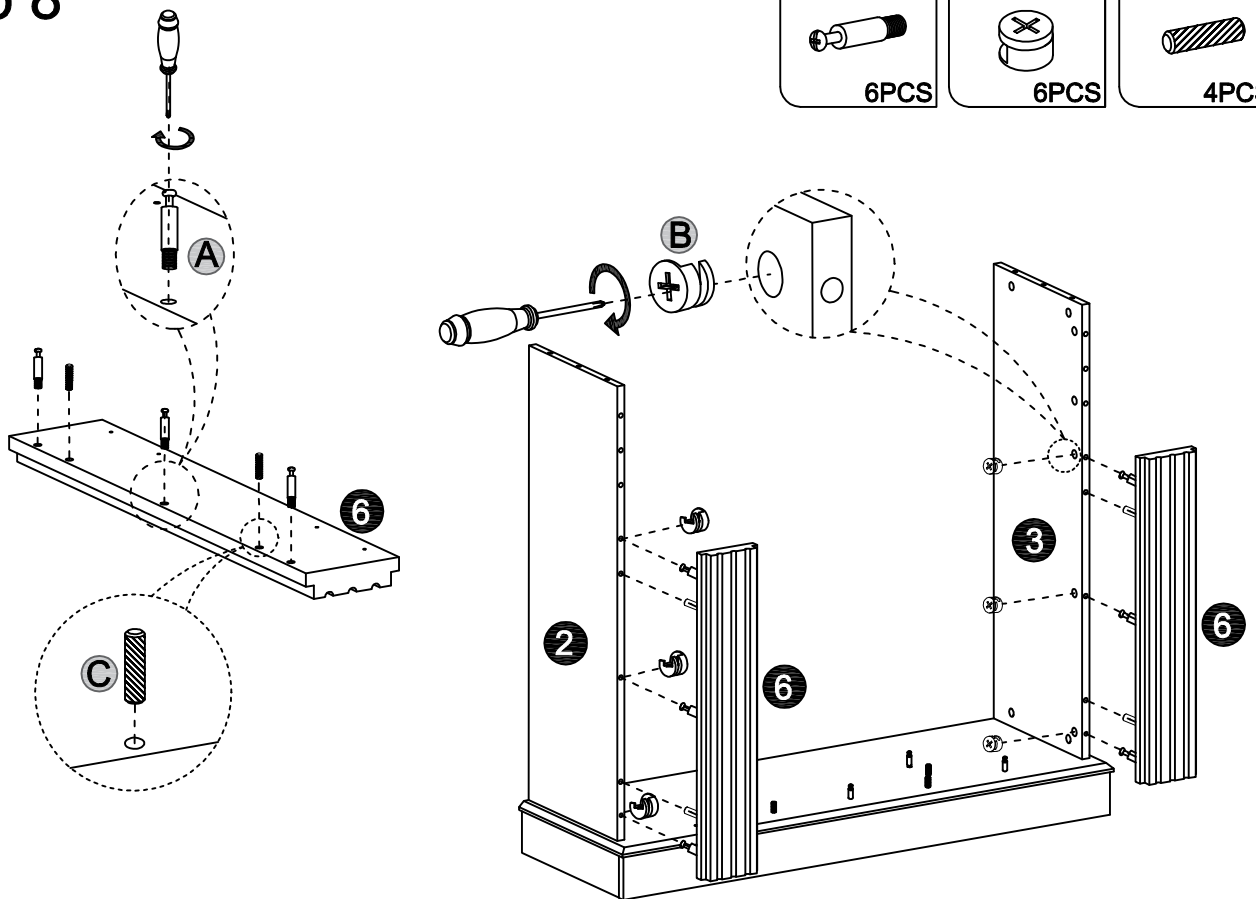
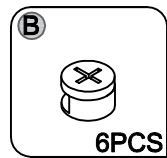
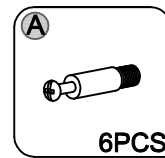
Step 6



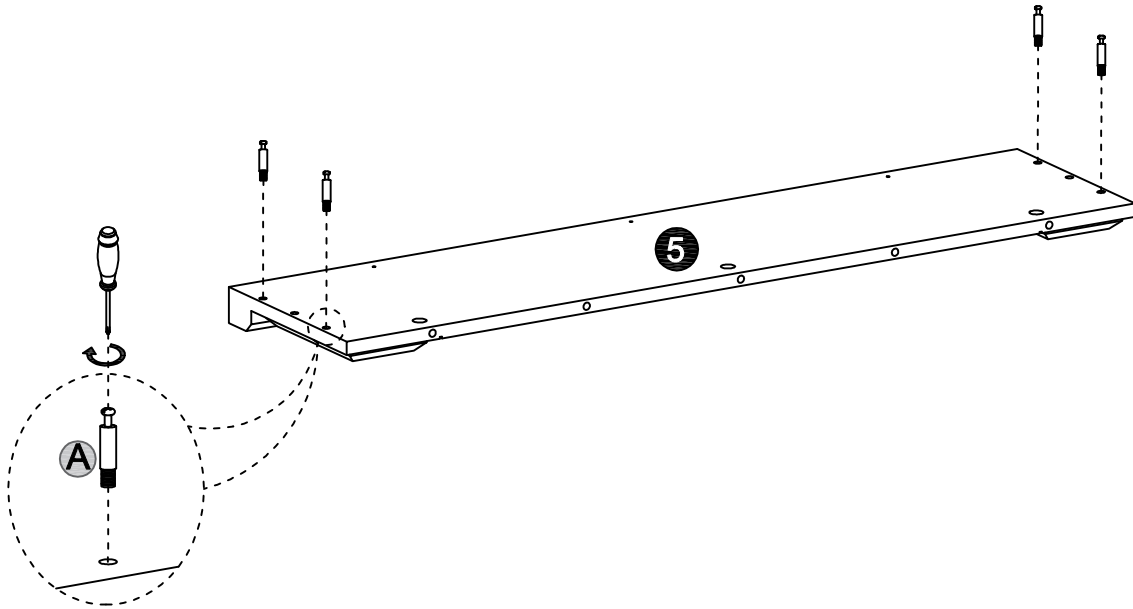
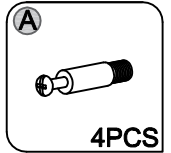
Step 7



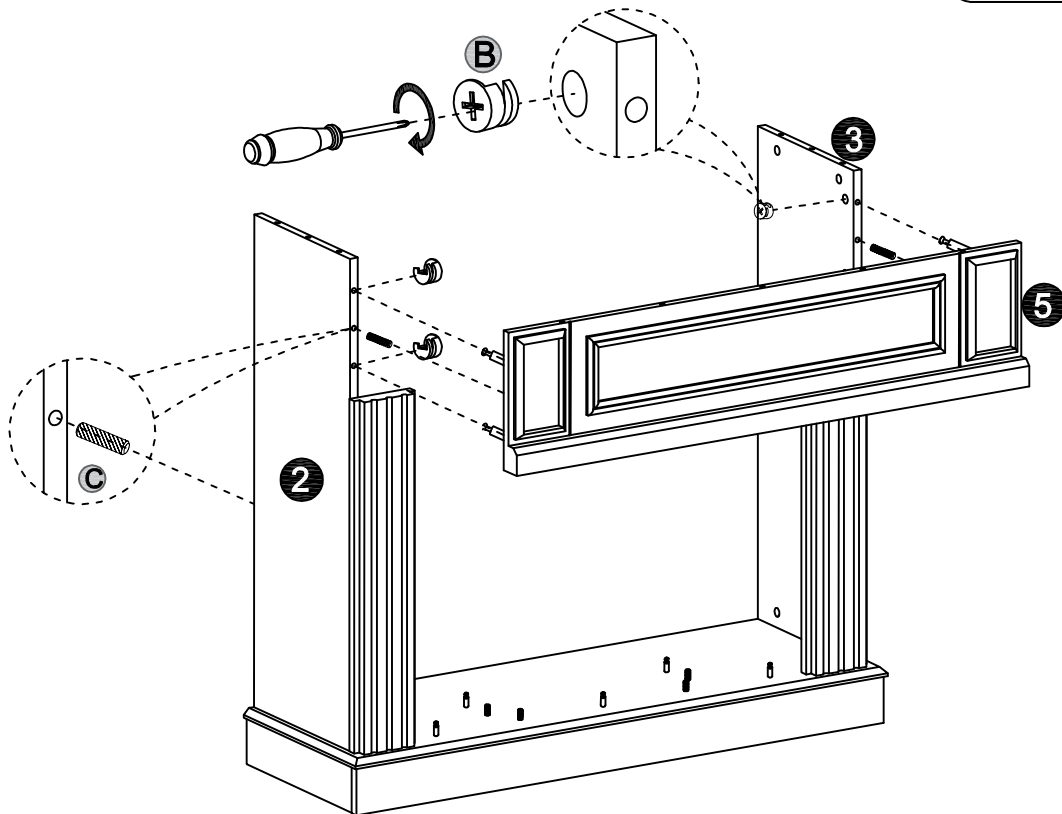
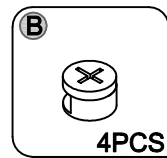
Step 8



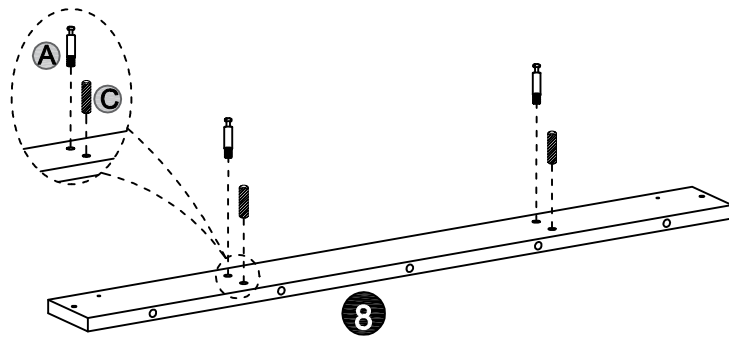
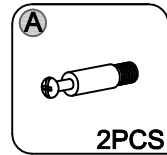
Step 9



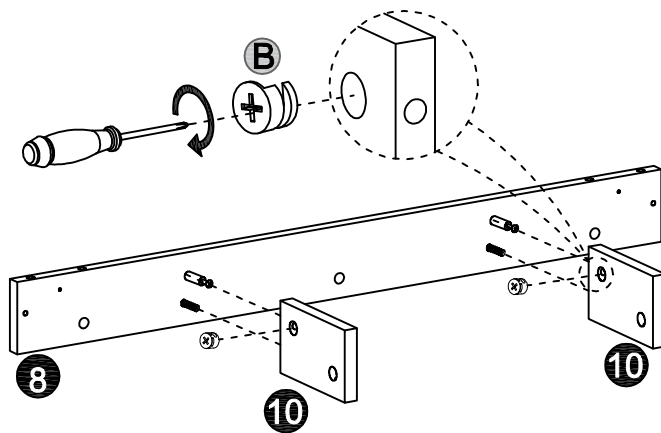
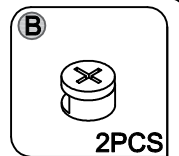
Step 10



Step 11

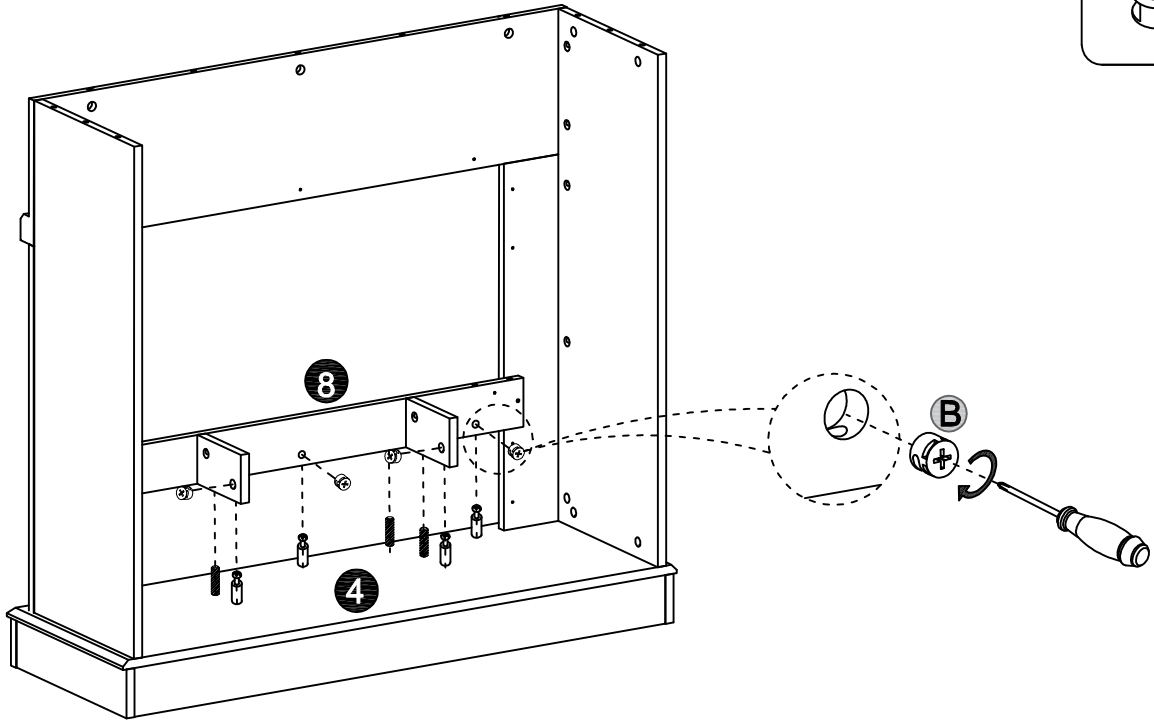


Step 12



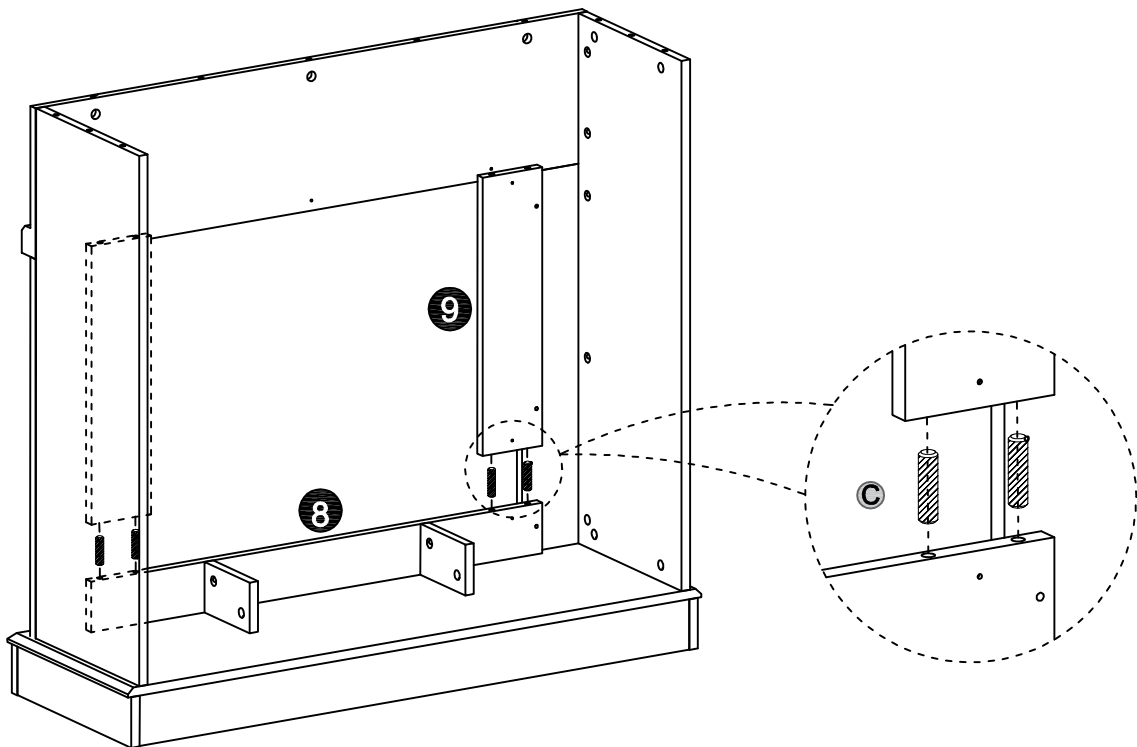
Step 13

B
5PCS

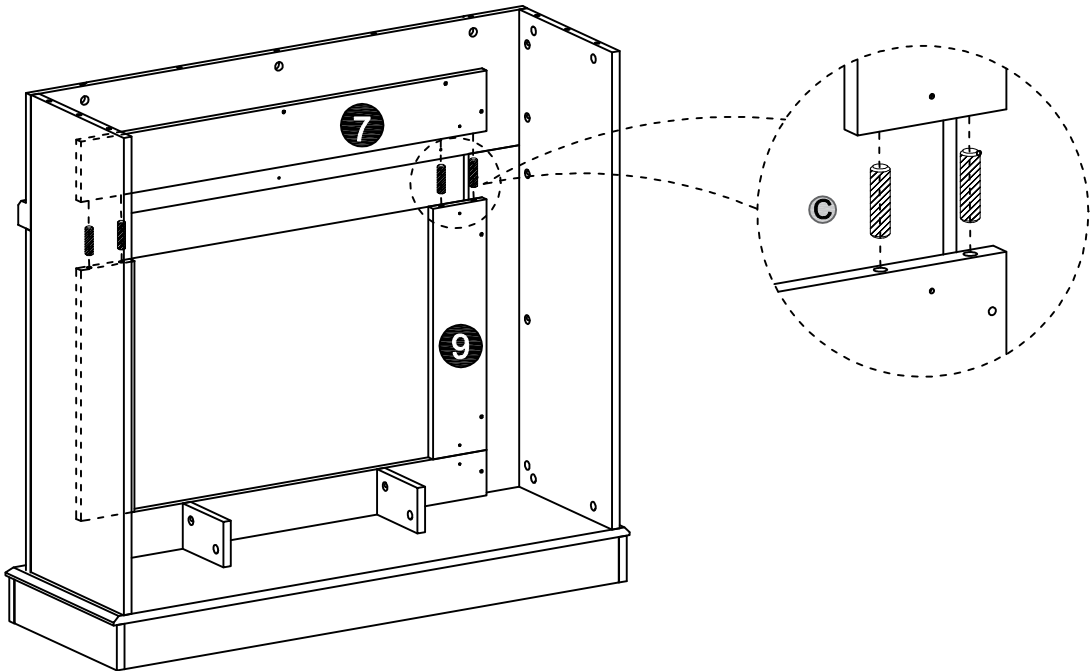


Step 14

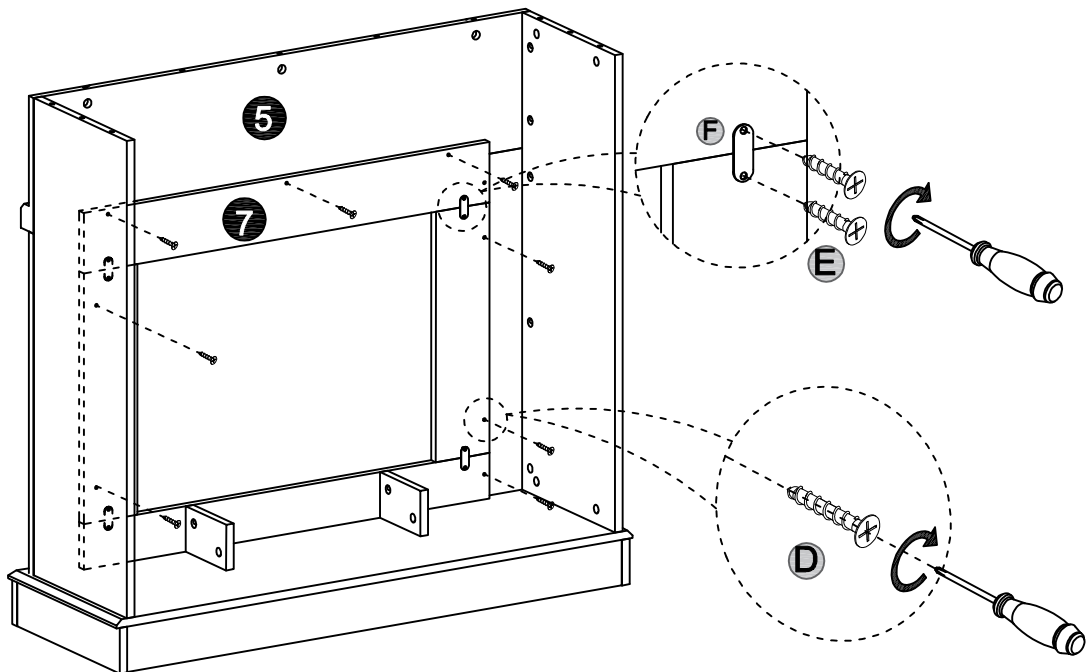
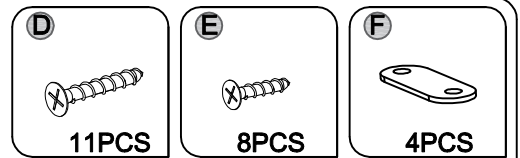
C
4PCS



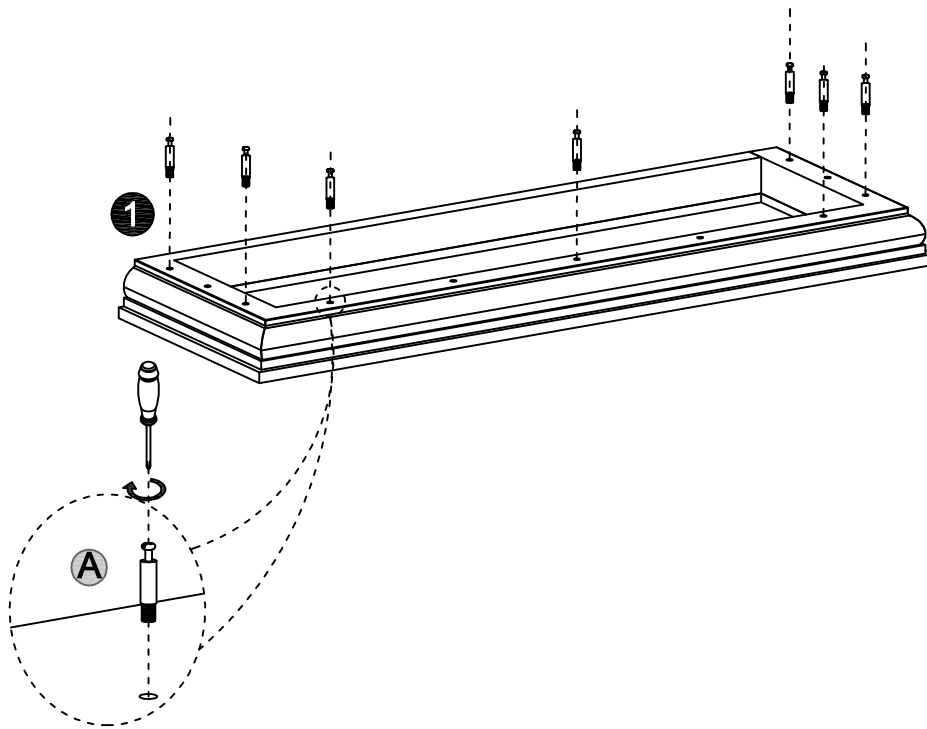
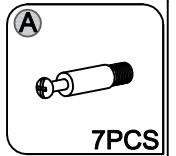
Step 15



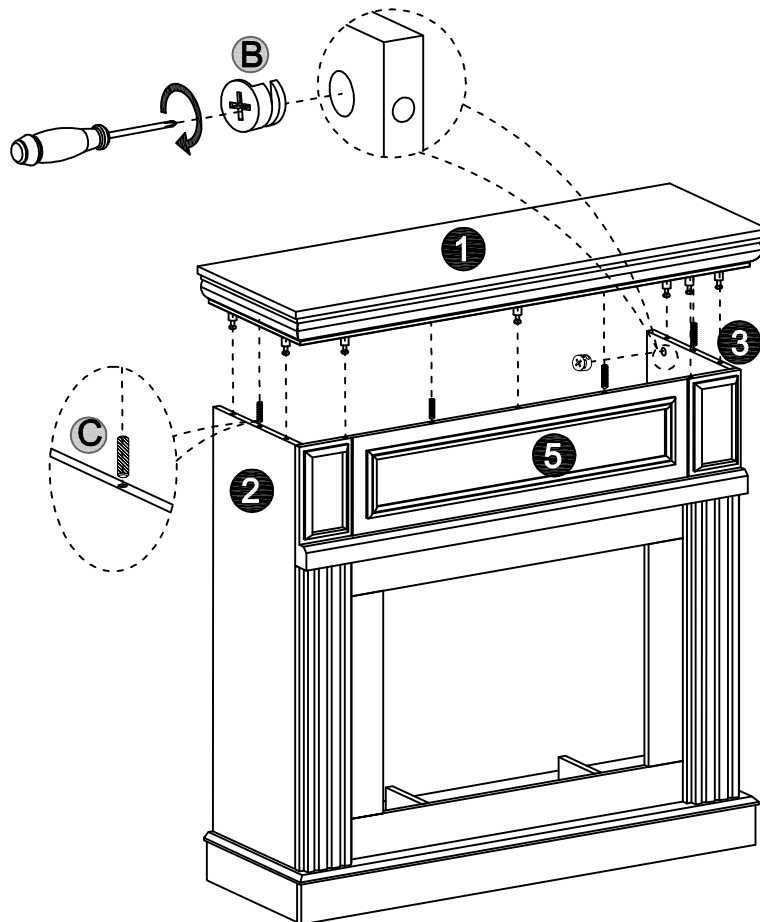
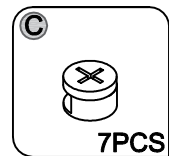
Step 16



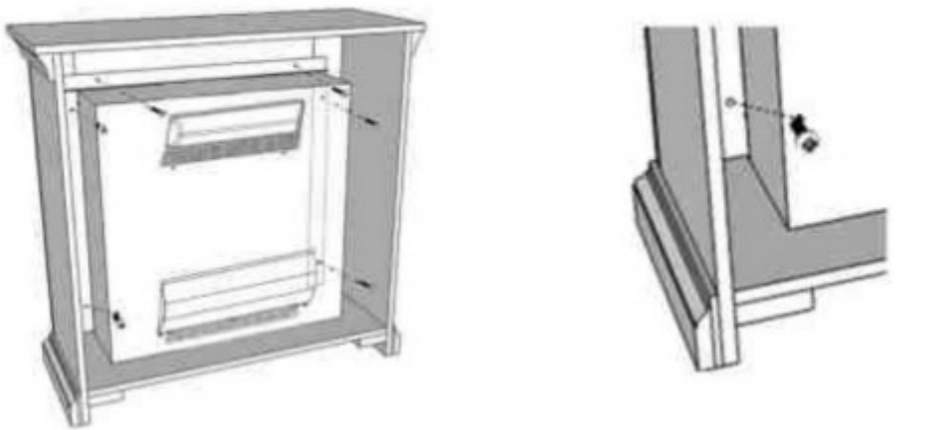
Step 17



Step 18



Step 19



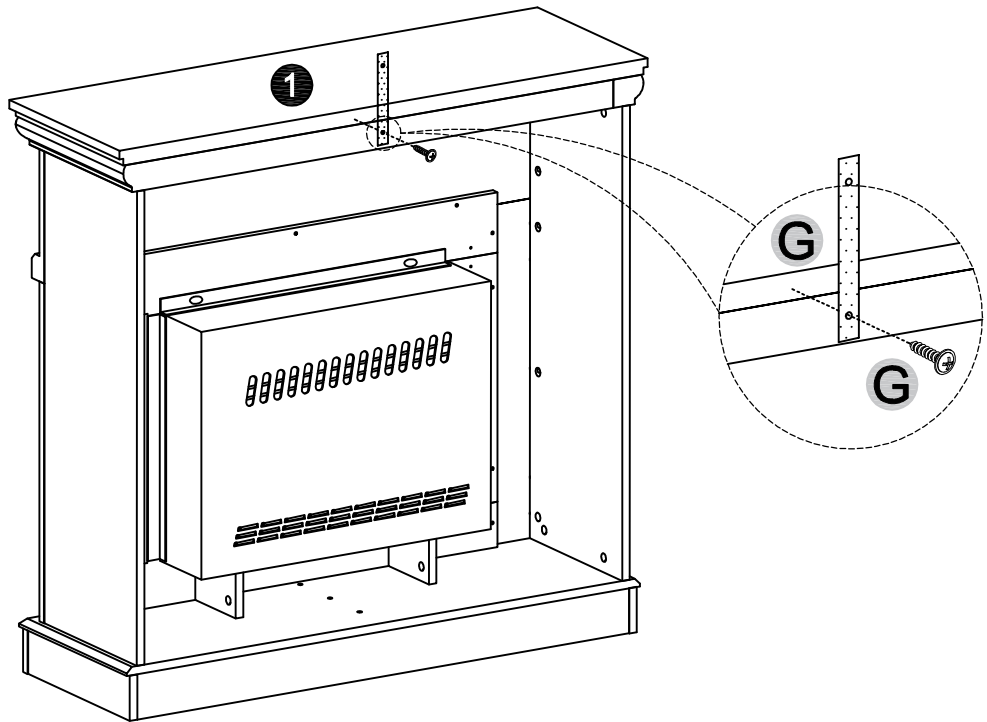
FIREPLACE INSTALLATION

If you decide to install the fireplace into the mantel, carefully set the unit from the back of the mantel and center it in the opening.

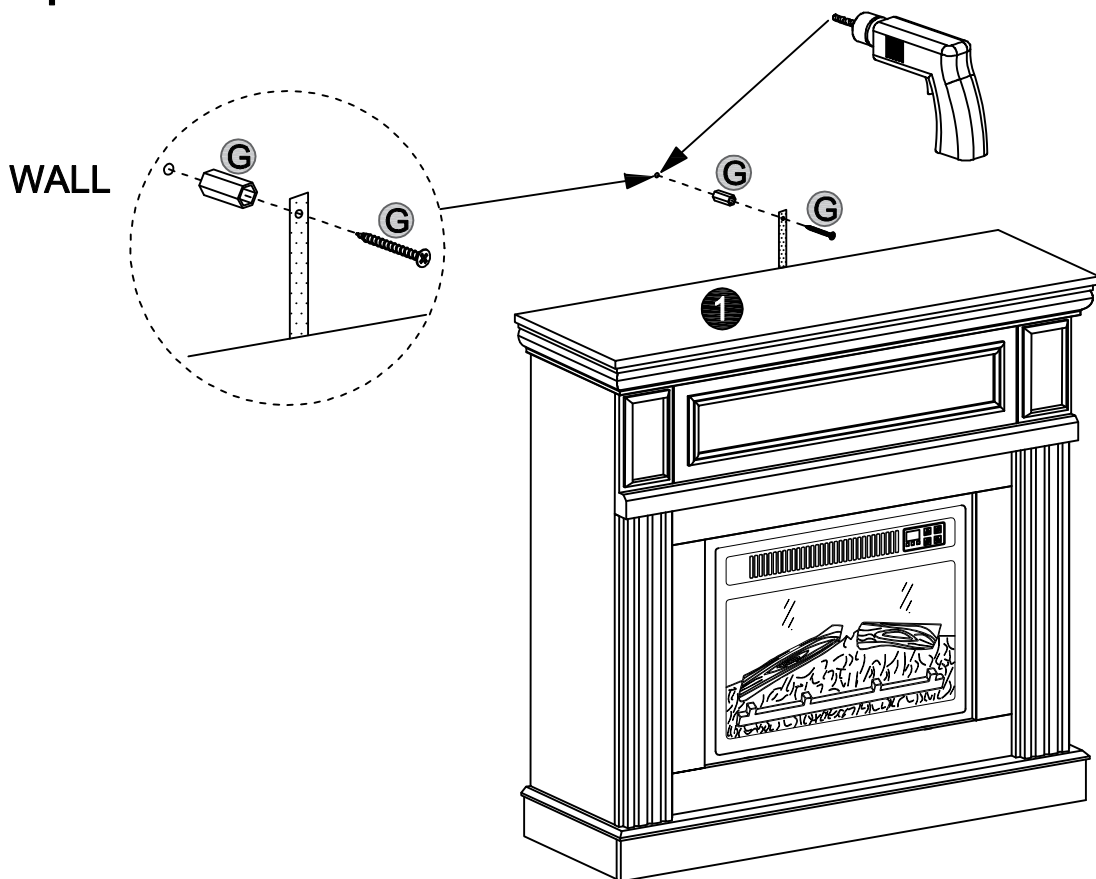
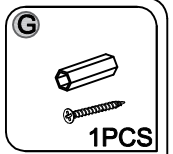
Check the alignment and attach the unit to the mantel by inserting screws through the drilled holes on the trim to the mantel.

NOTE: Do not attempt to install the unit from the front of the mantel. It will not fit.

Step 20



Step 21



IMPORTANT SAFETY INFORMATION

Please carefully read the instructions and caution warnings below before assembling the product. Following this guide will ensure that you install, use and maintain the product properly.

- Please keep this installation and user manual/instructions for future reference in case you need to assemble the product.
- Do not assemble if you notice serious damage such as cracks or bends.
- During installation, please use work gloves for hand safety.
- Please assemble the unit on carpeted floor or the flat cardboard box to avoid scratching the surface or your floor while assembling on the floor.
- To assemble, please use the complimentary installation tools (Allen Wrench). Pay more attention to the direction of components at each steps.
- It is recommended that two people work together to assemble the product.
- Please do not tighten the screws up too much, just to 80% before you finish to make the installation go on successfully.

RETURN POLICY

We believe you will absolutely love your new product. But for some reason you want to return your item, please contact us within 30 days after receiving and ensure that the product which you want to return is in a good condition in the original box with all original certificates of purchase, manuals and accessories attached.

HOW TO MAINTAIN YOUR PRODUCT:

- Check the screws of the product are not loose from regular use.
- Do not use sharp instruments, rubbing alcohol, corrosive chemicals, or abrasive cleaners to clean the product.
- Do not keep the product in a damp environment for a long period of time. The damp environment may cause the iron components to rust and the plates to bulge and crack.