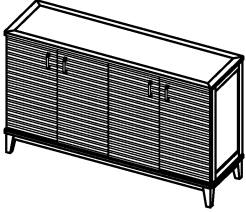


ASSEMBLY INSTRUCTION

Thank you for purchasing this quality Product. Be sure to check all packing material carefully for small parts, which may have come loose inside carton during shipment. identify and count all parts and compare with the parts list below.






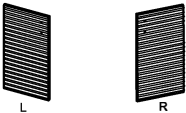













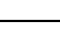
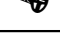






ASSEMBLY INSTRUCTION :

1. Remove hardware from box and sort by size.
2. Please check to see that all hardware and parts are present prior start of assembly.
3. Please follow attached instruction in the same sequence as numbered asure fast and aesy assembly.

WARNING !

1. Dont attempt to repair or modify parts that are prken or defective. Prease contact the store immediately.
2. This productis for home use only and not intended for commercial esatablishments.
3. Two persons are required for assembly.
4. Approximate assembly time 1/2 hours.
5. Component parts and fittings contained in the box. Prease sort out all parts before you begin to assemble the item. This is to make sure you always use the correct part.
6. It is **STRONGLY RECOMMENDED** that you **ANCHOR** this product.toling furniture can cause serious injuries and death. To prevent your furniture from tipping forward it is strongly recommended that you securely attach this product to a wallr other solid surface, using the anchor straps provided appropriate fixings.

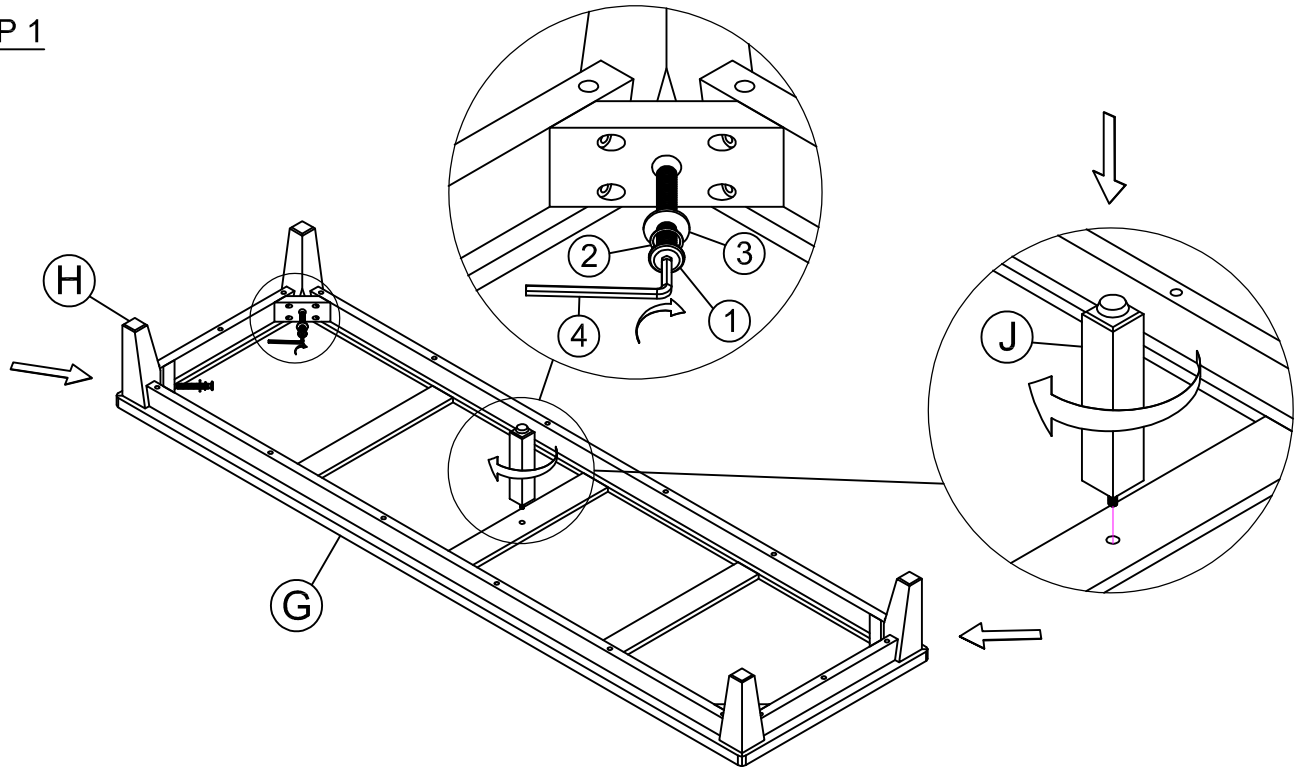
No.	Component	Q'ty
A	 Top	1
B	 Side Frames	2
C	 Backs	1
D	 Mid Frame	1
E	 Shelves	2
F	 Doors	4
G	 Bot	1
H	 Legs	4
J	 Support Leg	1



No.	Component	Q'ty
1	 Bolt Ø 7.8x60 mm	4
2	 Spring Washer Ø7.8x13 mm	4
3	 Flat WasherØ 7.8x18 mm	4
4	 Allen Wrench 4 mm	1
5	 Handles	4
6	 Bolon Ø4x18mm	8
7	 Srews Ø3x15 mm	16
8	 Srews Ø3x12 mm	24
9	 Srews Ø4x15 mm	56
10	 Srews Ø4x15 mm	48
11	 Hinges A	4
12	 Hinges B	4
13	 Wooden Dowel Ø8x30mm	12
14	 Angle Bracket	12
15	 Shelf Pins Ø5 mm	8
16	 Door magnet	8
17	 iron door	8





not included

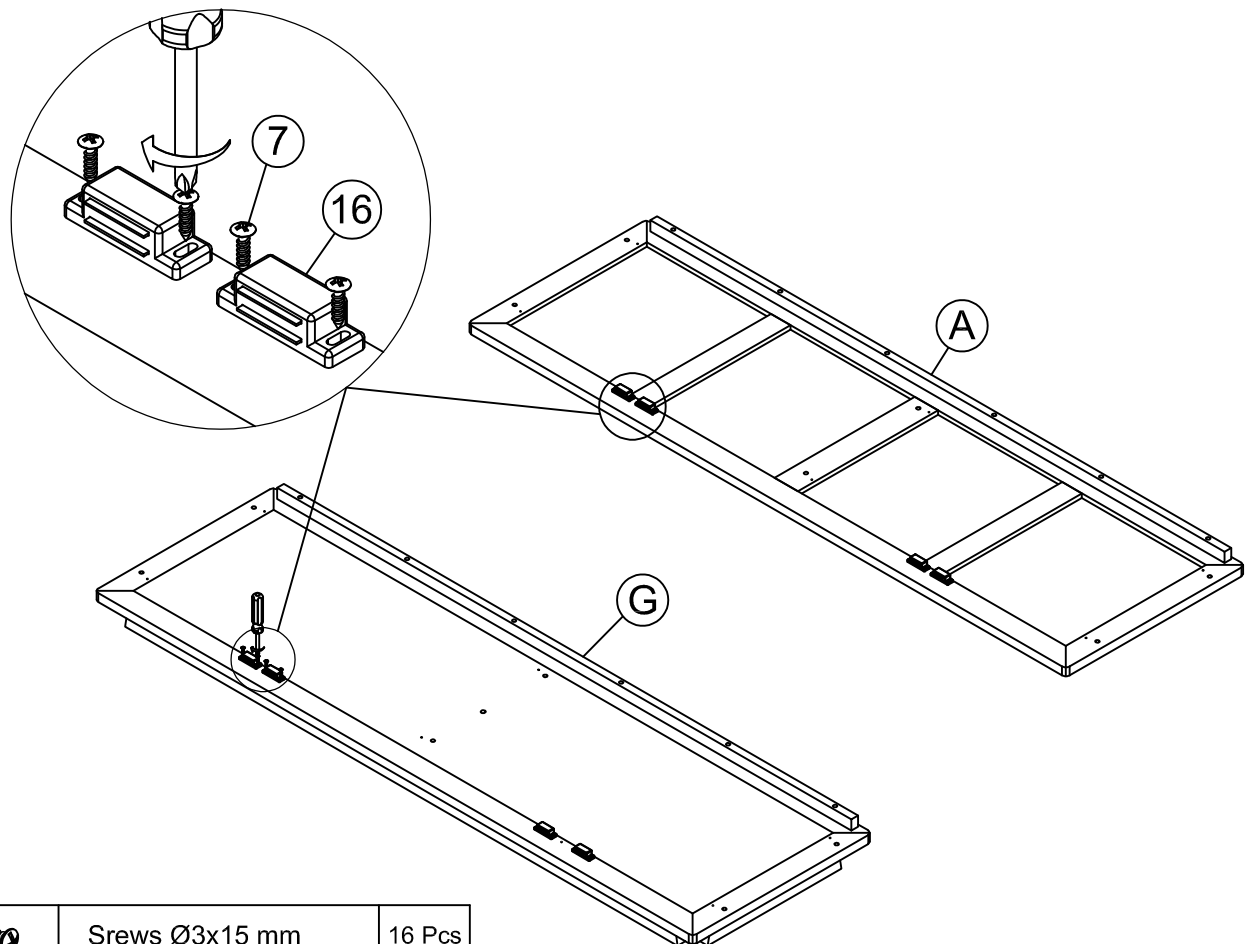
STEP 1





1		Bolt Ø7.8x60 mm	4 Pcs
2		Spring Washer Ø7.8x13 mm	4 Pcs

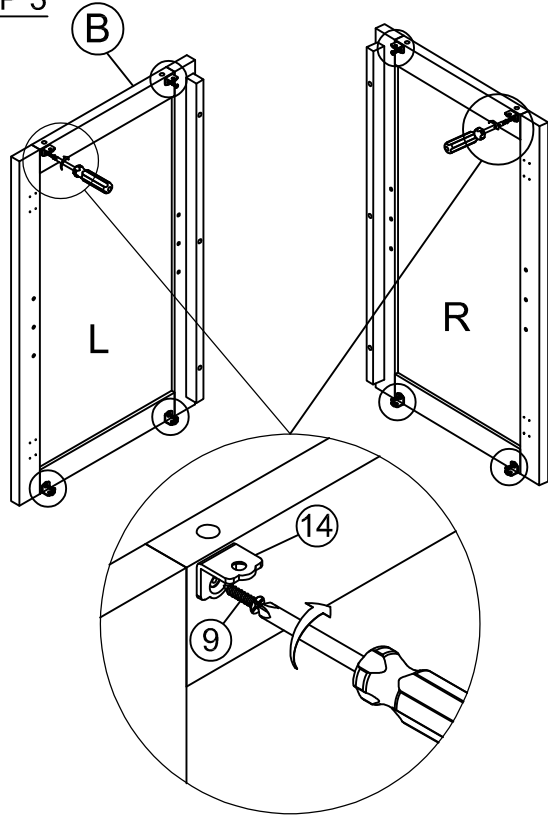
3		Flat Washer Ø7.8x18 mm	4 Pcs
4		Allen Wrench 4 mm	1Pc



STEP 2



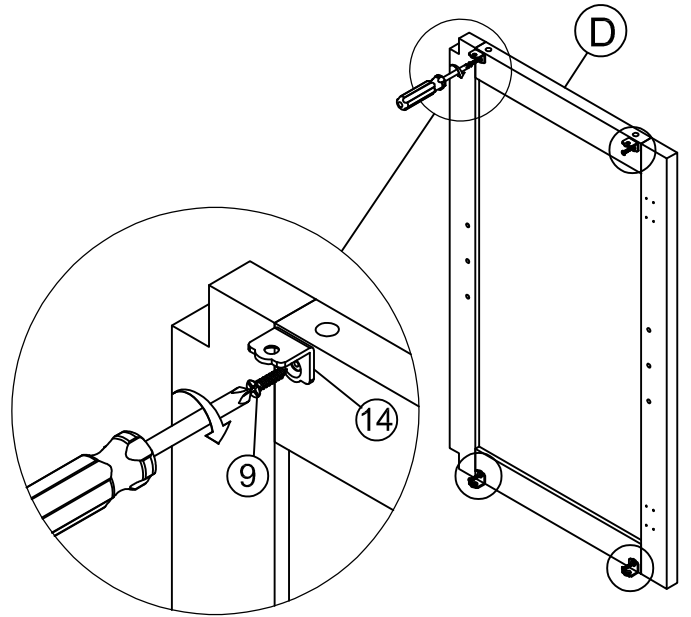
7		Screws Ø3x15 mm	16 Pcs
16		Door magnet	8 Pcs



STEP 3



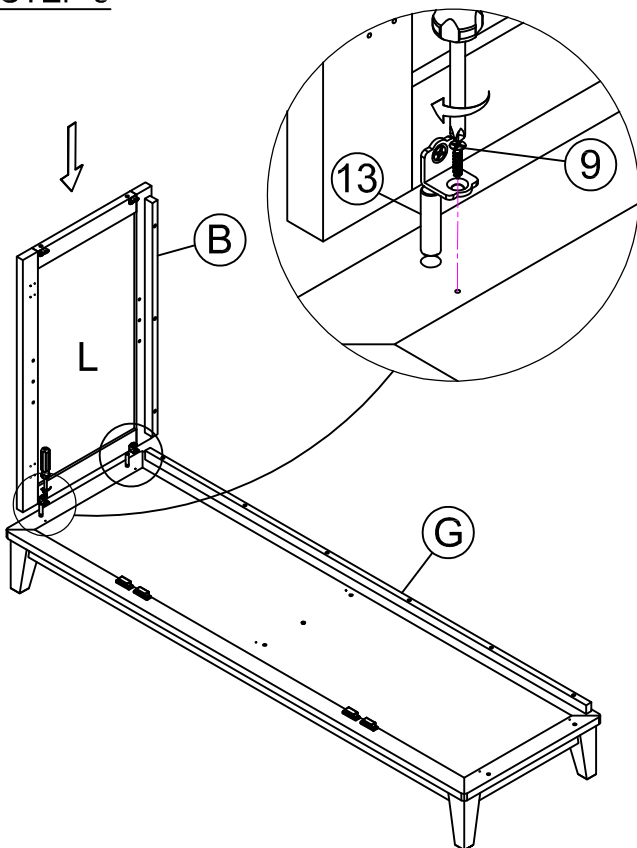
9		Screws Ø4x15 mm	8 Pcs
14		Angle Bracket	8 Pcs



STEP 4



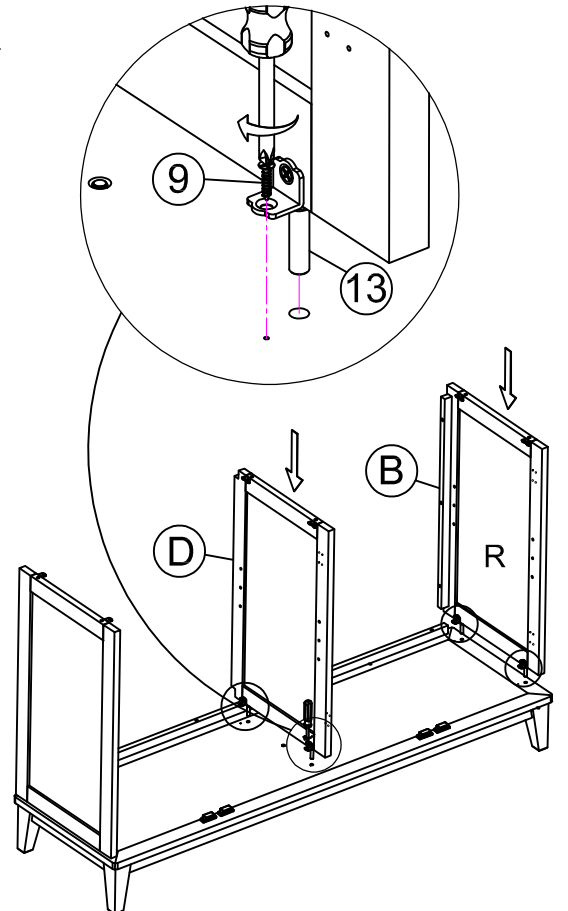
9		Screws Ø4x15 mm	4 Pcs
14		Angle Bracket	4 Pcs


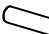
STEP 5



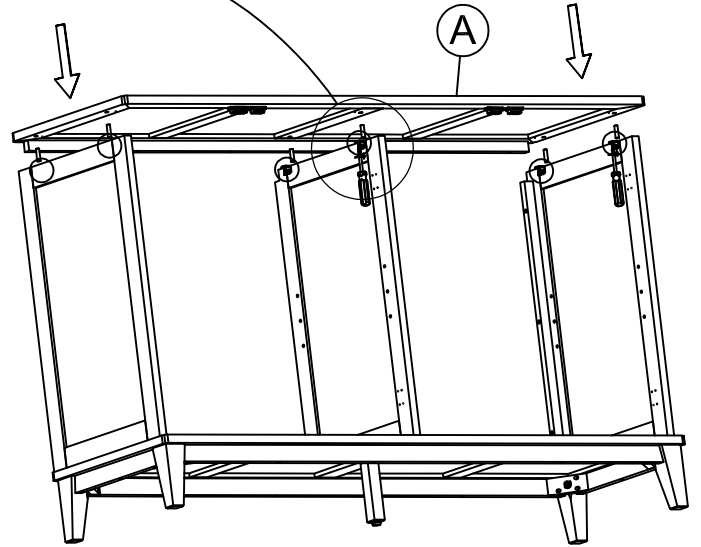
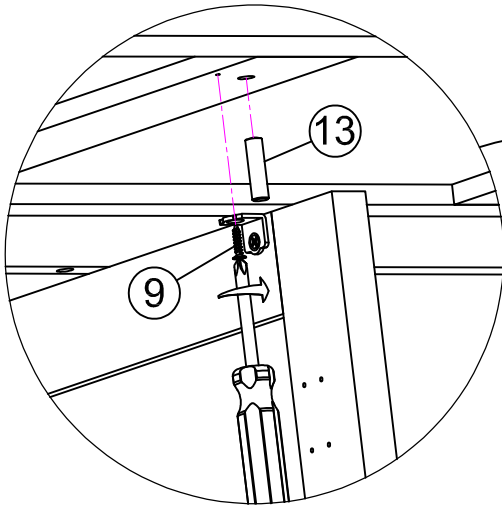
9		Screws Ø4x15 mm	2 Pcs
13		Wooden Dowel Ø8x30mm	2 Pcs



STEP 6



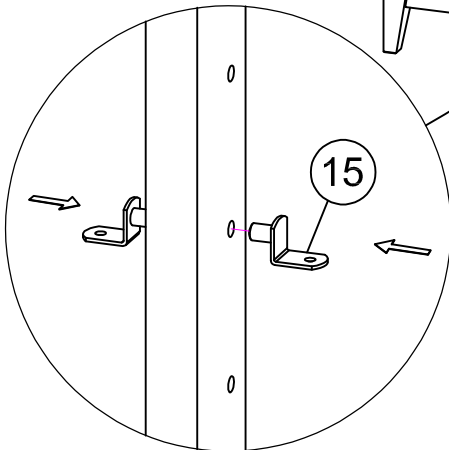
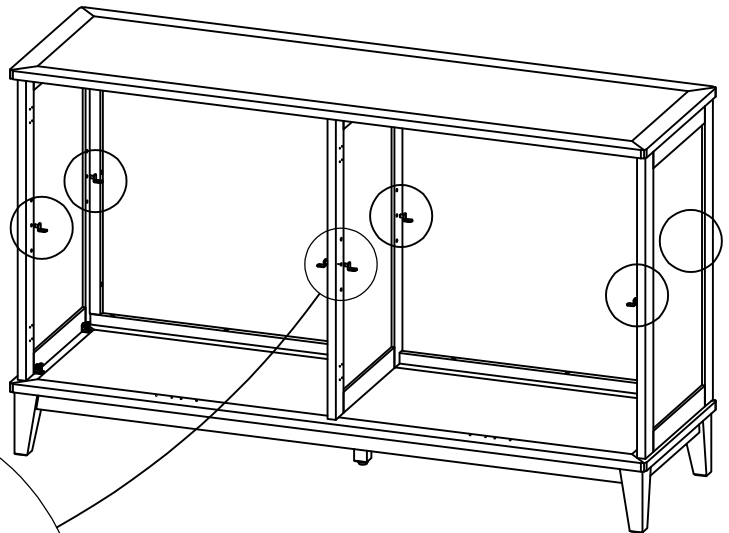
9		Screws Ø4x15 mm	4 Pcs
13		Wooden Dowel Ø8x30mm	4 Pcs

STEP 7



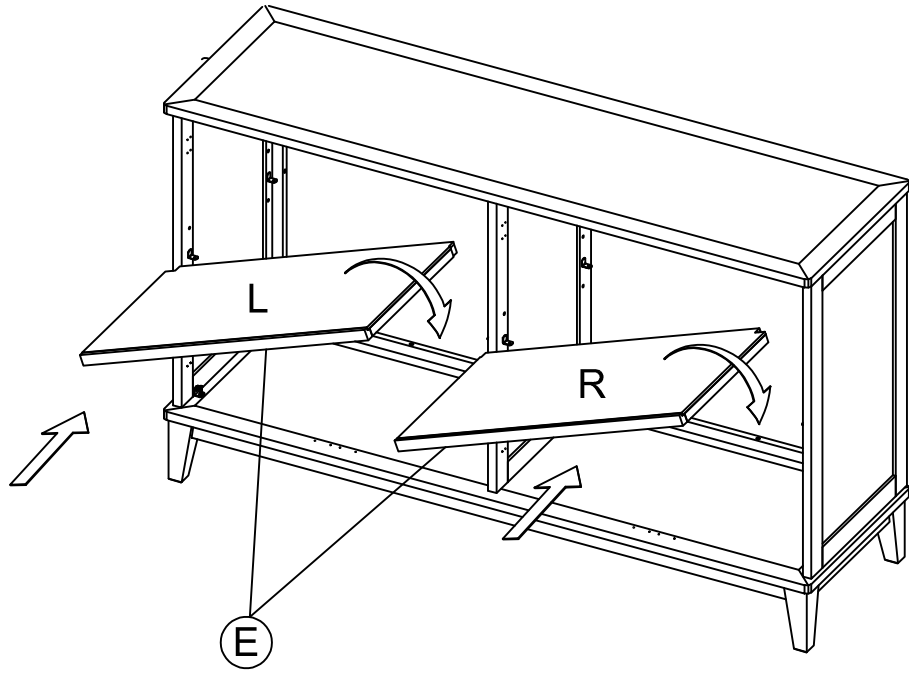
9		Screws $\text{\O}4 \times 15 \text{ mm}$	6 Pcs
13		Wooden Dowel $\text{\O}8 \times 30 \text{ mm}$	6 Pcs

STEP 8

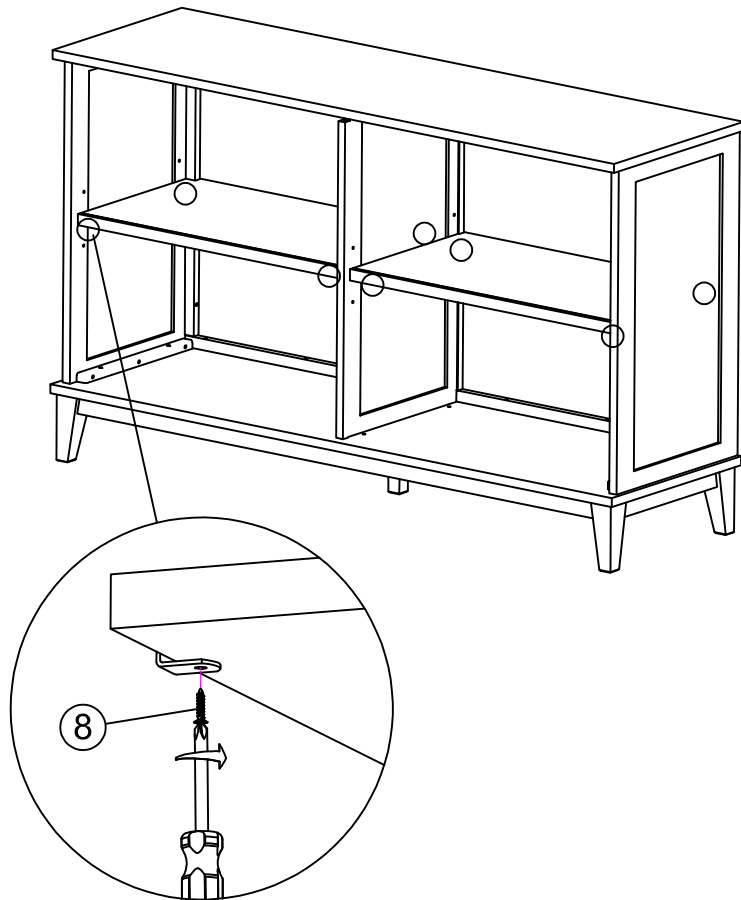


15		Shelf Pins $\text{\O}5 \text{ mm}$	8 Pcs
----	---	------------------------------------	-------

STEP 9



STEP 10



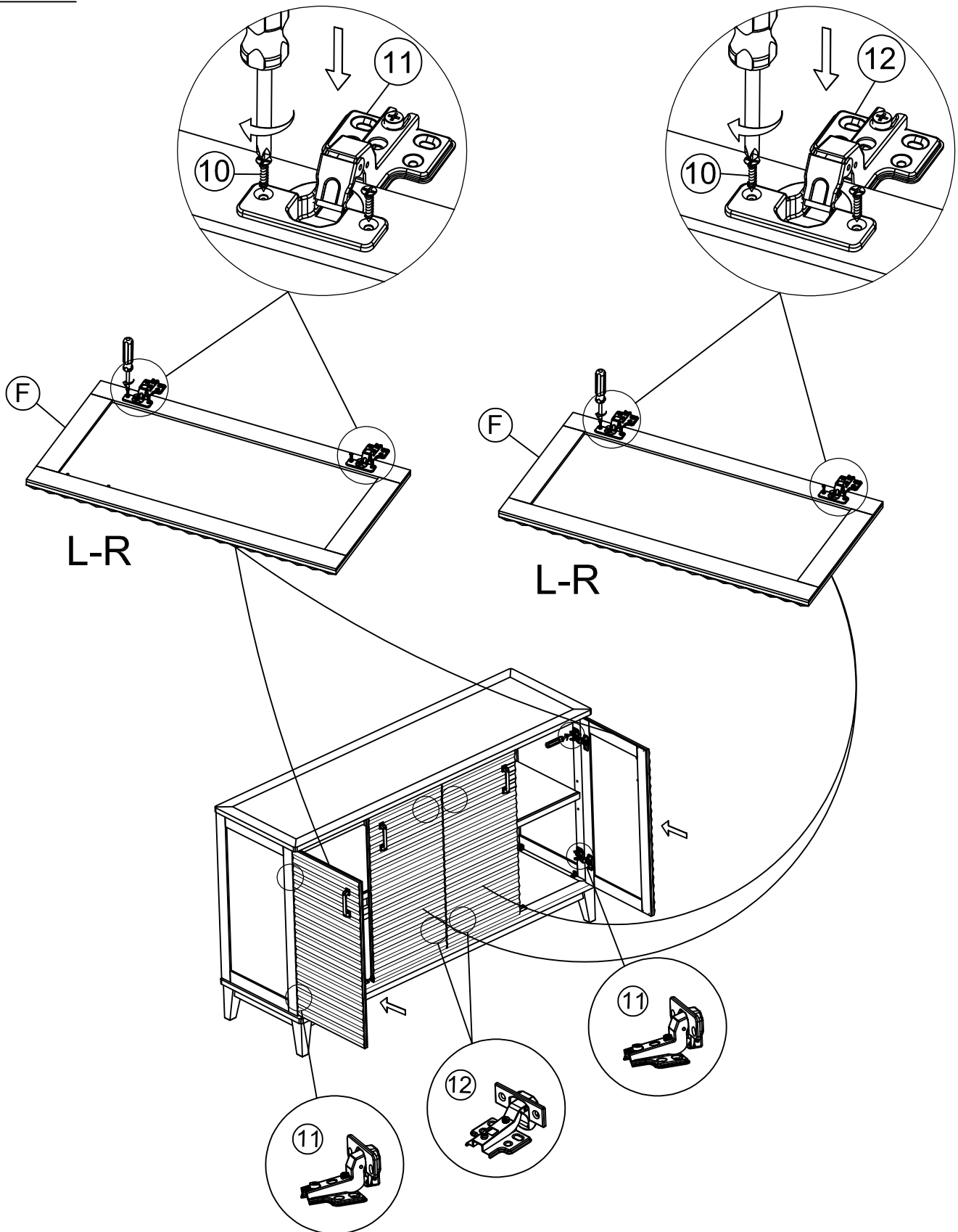
8







Srews $\text{\O}3 \times 12$ mm

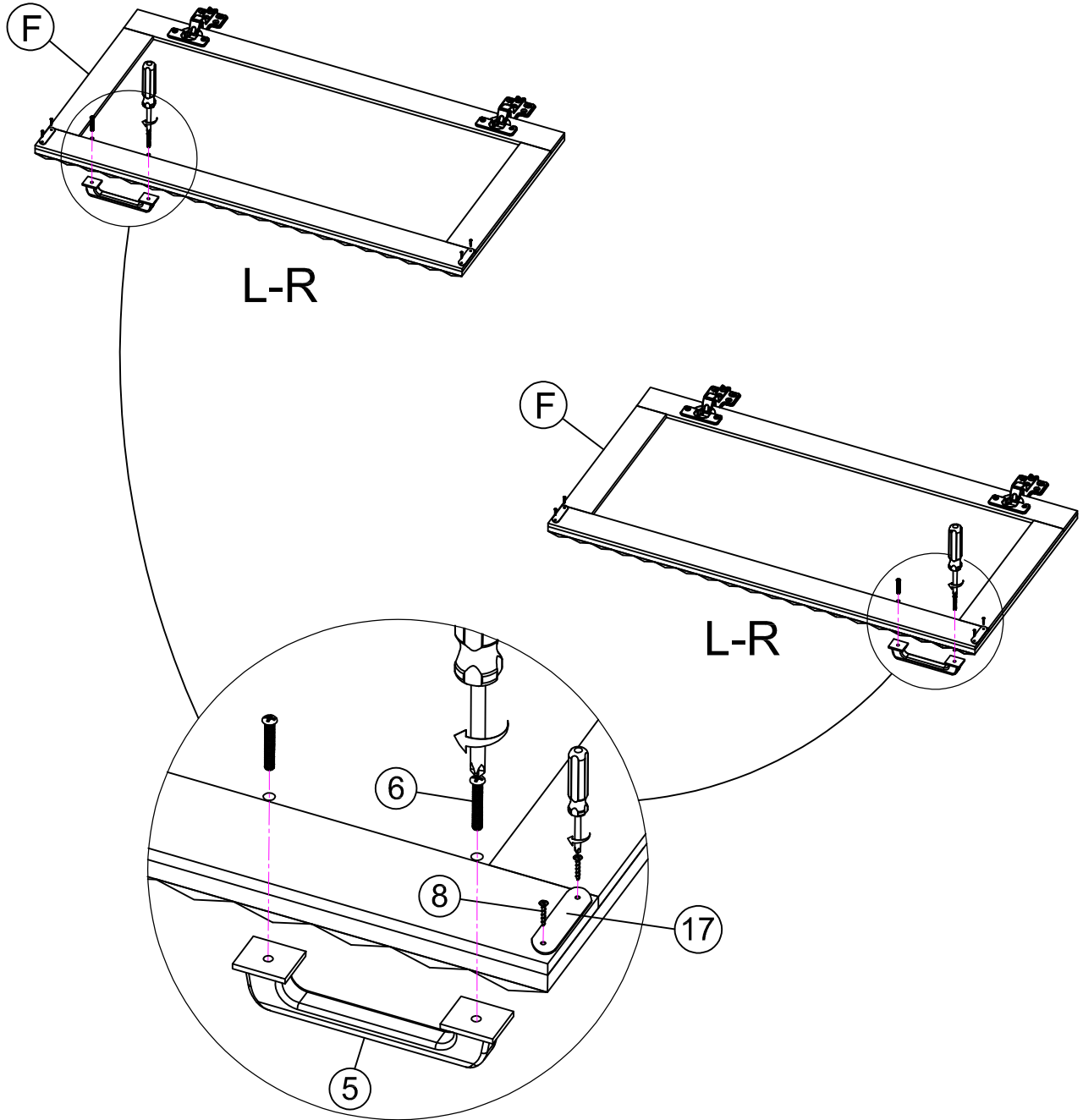
8 Pcs




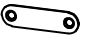
STEP 11



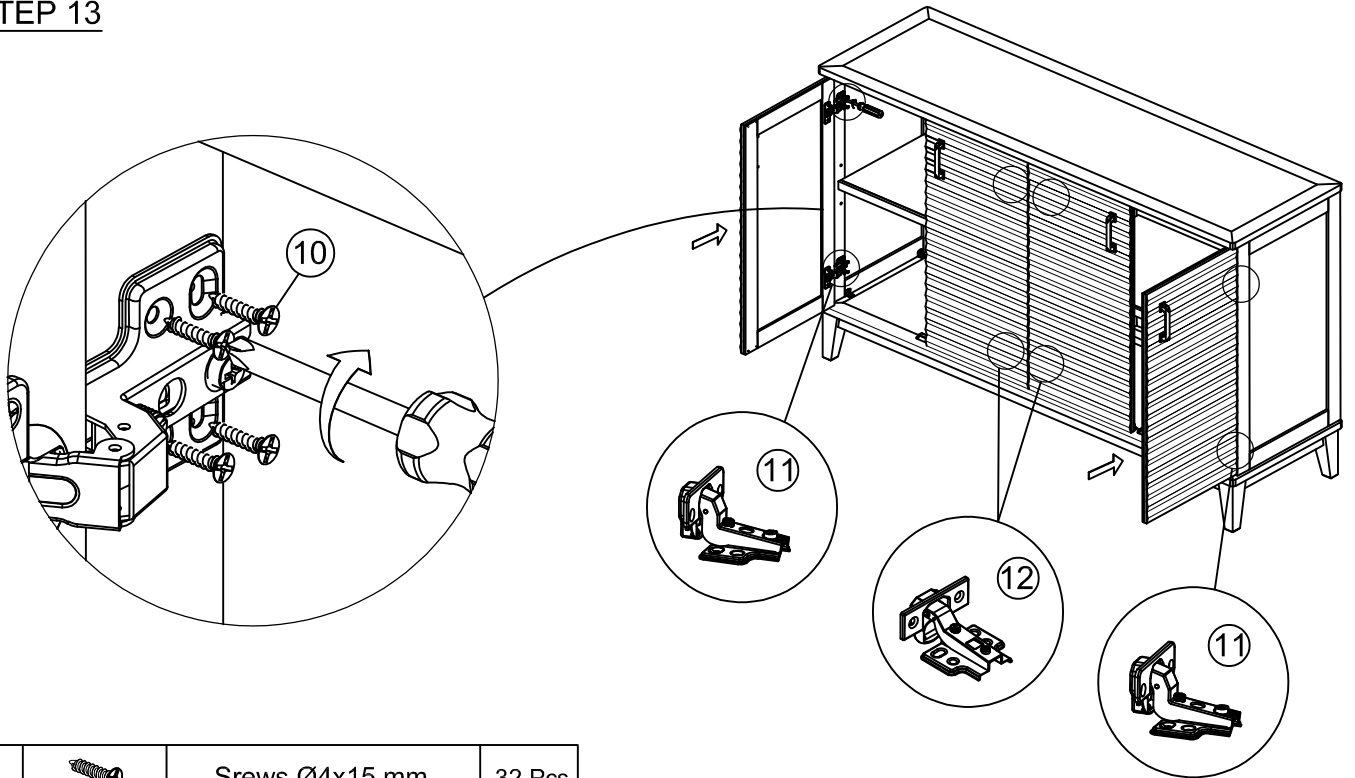
10		Srews Ø4x15 mm	16 Pcs
11		Hinges A	4 Pcs
12		Hinges B	4 Pcs
17		iron door	8 Pcs


STEP 12



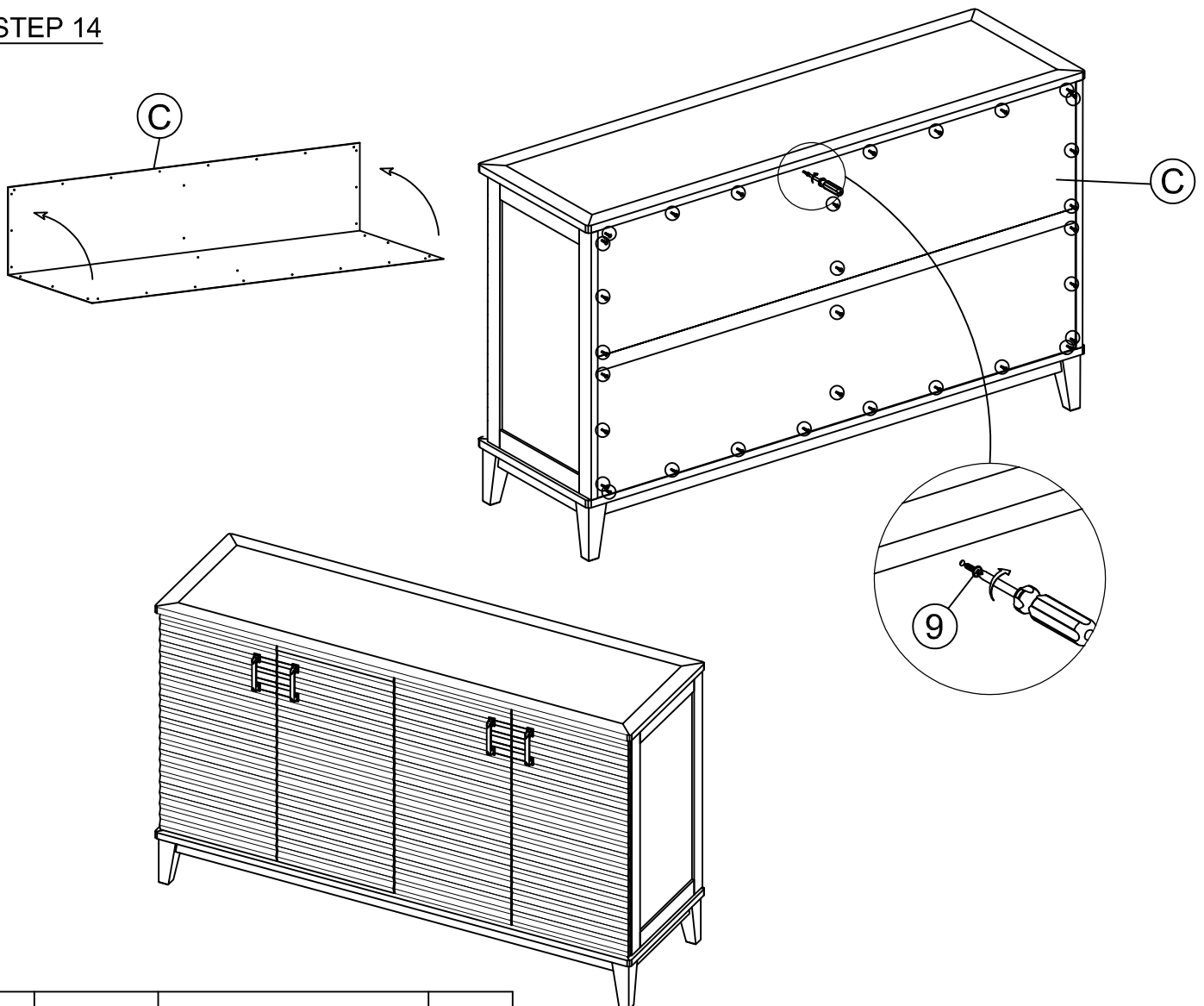
5		Handles	4 Pcs
6		Bulon Ø4x18mm	8 Pcs
8		Srews Ø3x12 mm	16 Pcs
17		iron door	8 Pcs


STEP 13



10		Srews Ø4x15 mm	32 Pcs
----	---	----------------	--------

STEP 14



9		Srews Ø4x15 mm	32 Pcs
---	---	----------------	--------