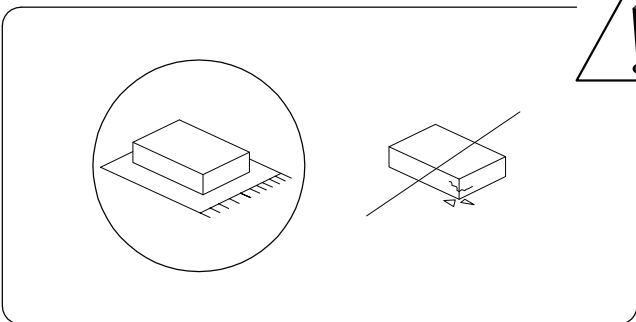


5'



1

1



x 1

1

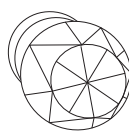


A



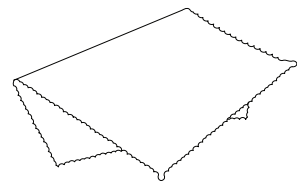
x 3

B



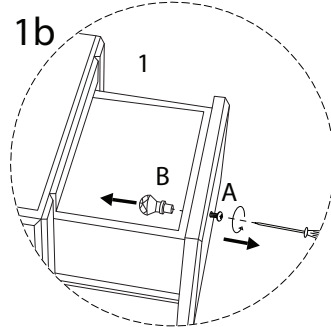
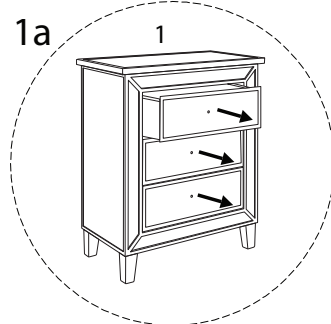
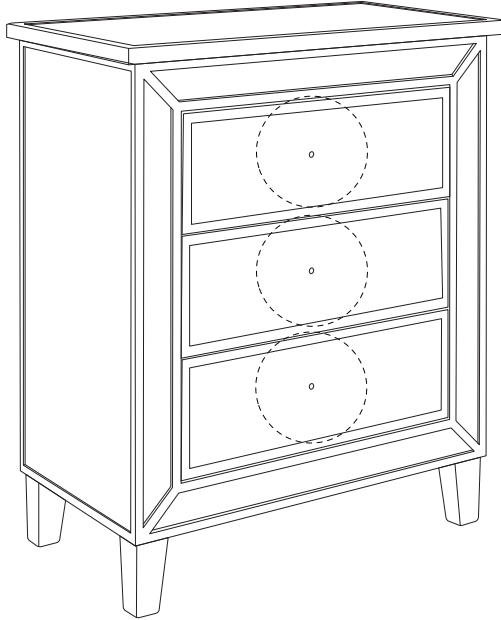
x 3

C

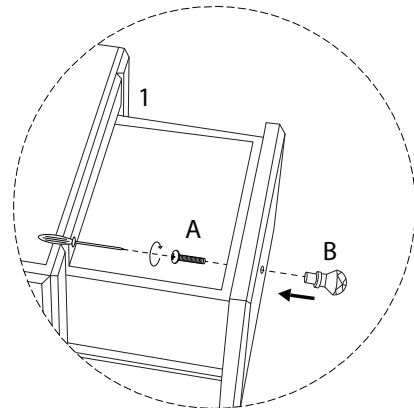
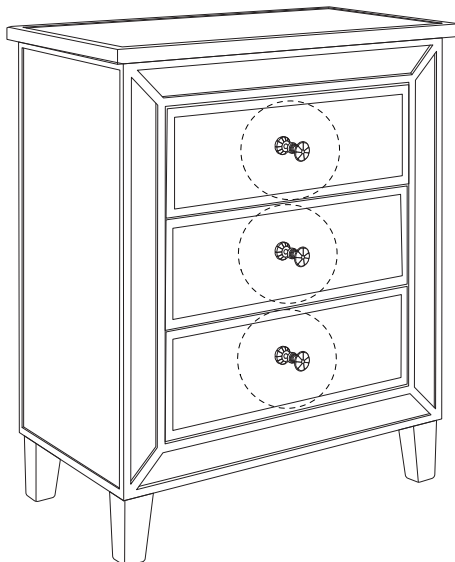
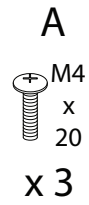


x 1

!

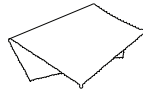


1



2

C



x1

