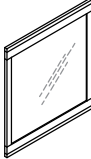

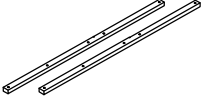

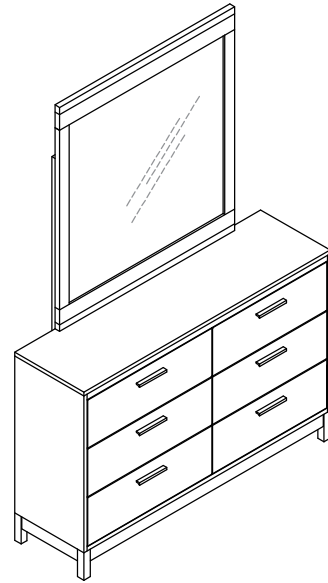
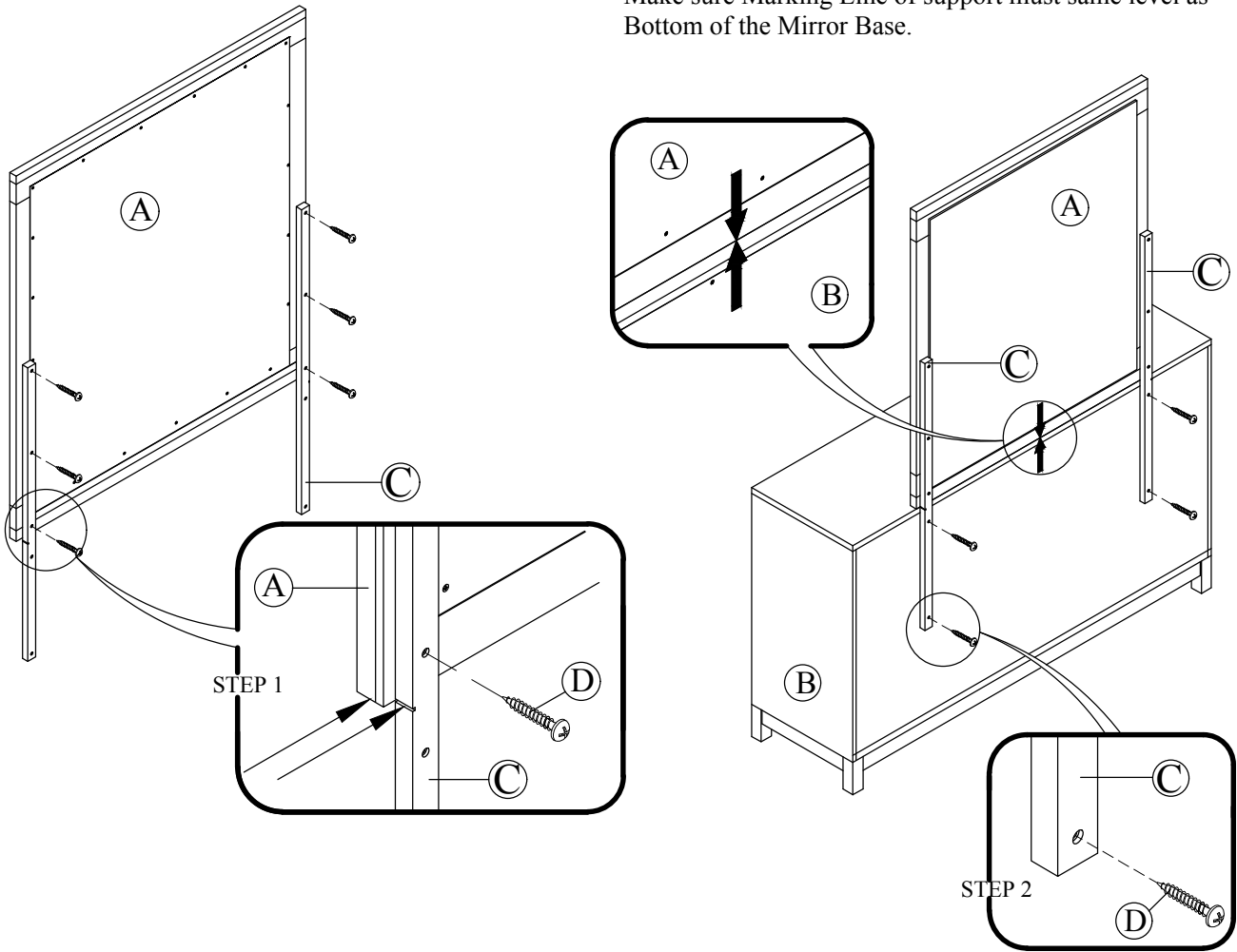


ASSEMBLY INSTRUCTION DRESSER & MIRROR

NO	PARTS LIST		
A		Mirror	1
B		Dresser	1
C		Mirror Support Rail	2
NO	HARDWARE LIST		
D		Screw	10



STEP 1
 Attach Mirror Support (C) to the Mirror back (A) AS Step 1. Then tighten with Screw (D).
 Make sure Marking Line of support must same level as Bottom of the Mirror Base.



STEP 3
 Place The Mirror that with Support on the Top of Dresser (B).
 Then Align Center as shown and tighten with PHCB Screw (D).