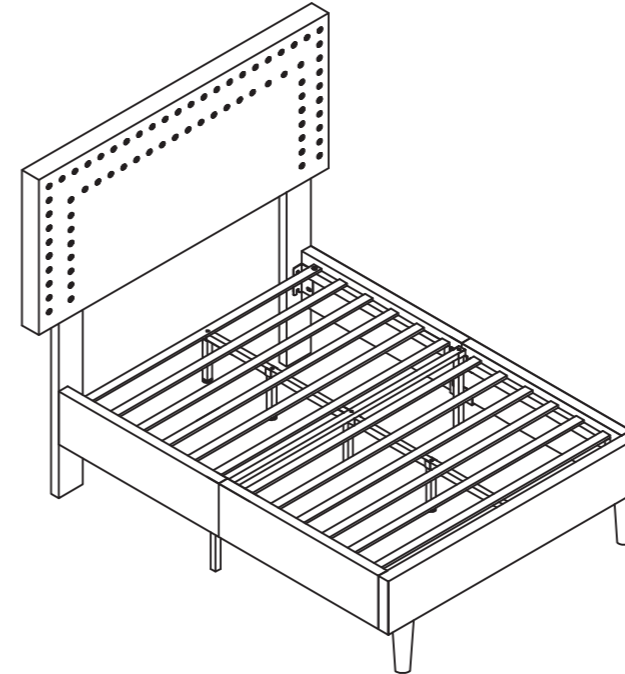
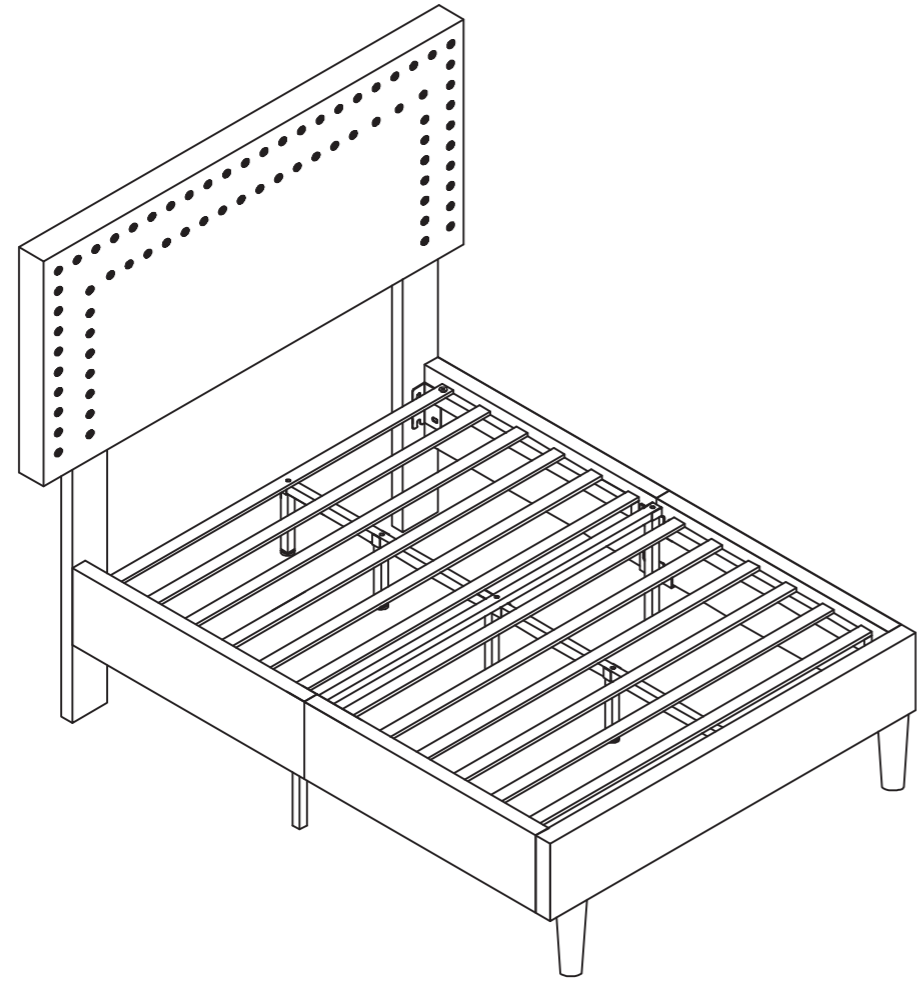
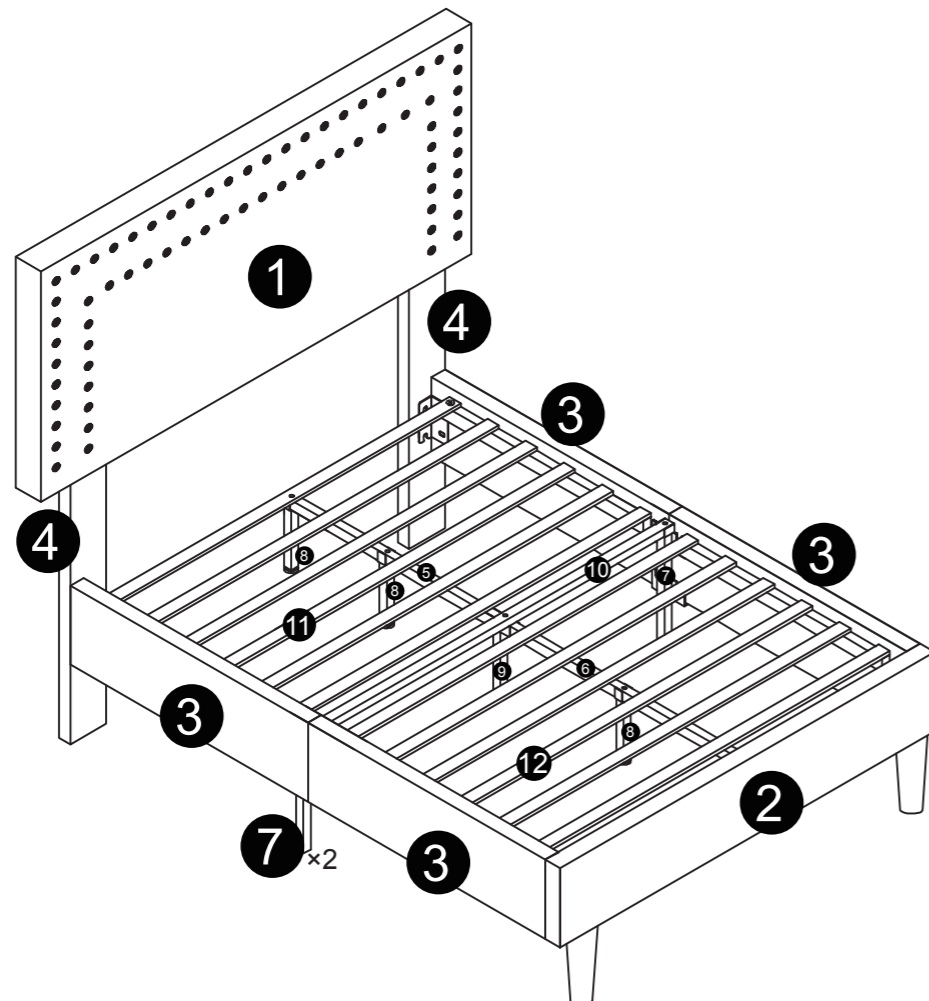


Item Description: Bed Frame
Dimension: TWIN:106*195*(101-121)cm
FULL:144*195*(101-121)cm
QUEEN:159.5*207*(101-121)cm



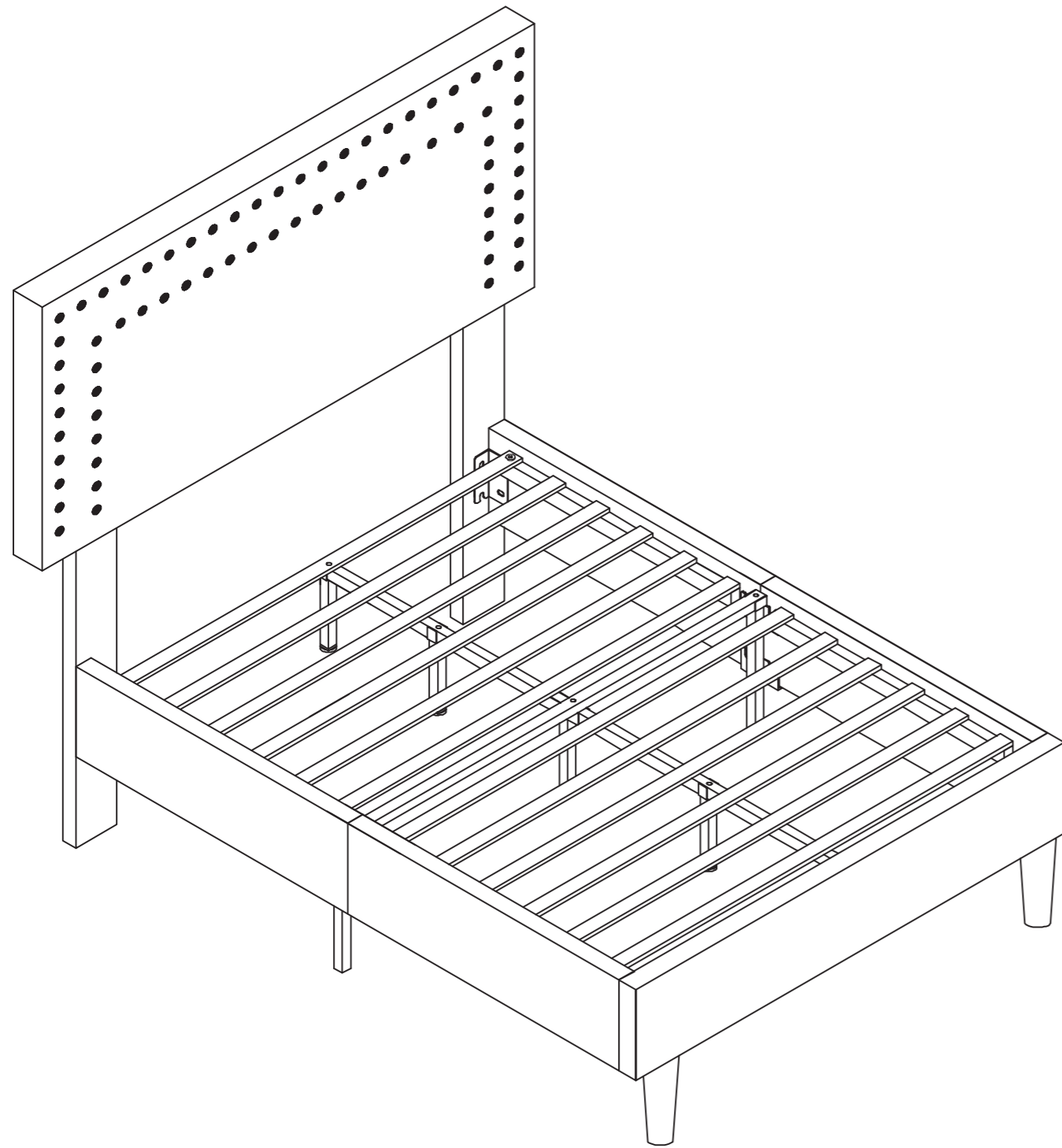
Bed-Frame

Dimension: TWIN:106*195*(101-121)cm
FULL:144*195*(101-121)cm
QUEEN:159.5*207*(101-121)cm

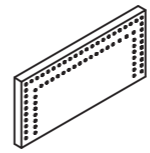
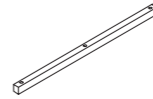
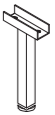
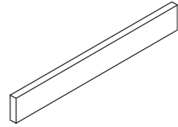
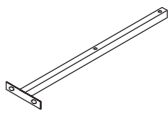
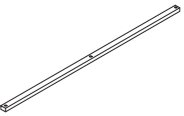
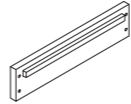

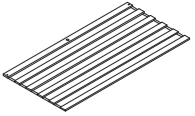


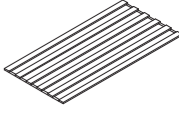


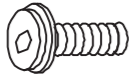
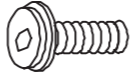






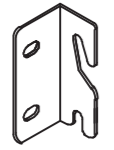
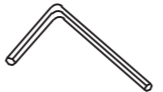
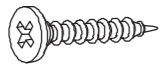
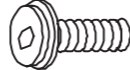
Step 10

Check and tighten all screws

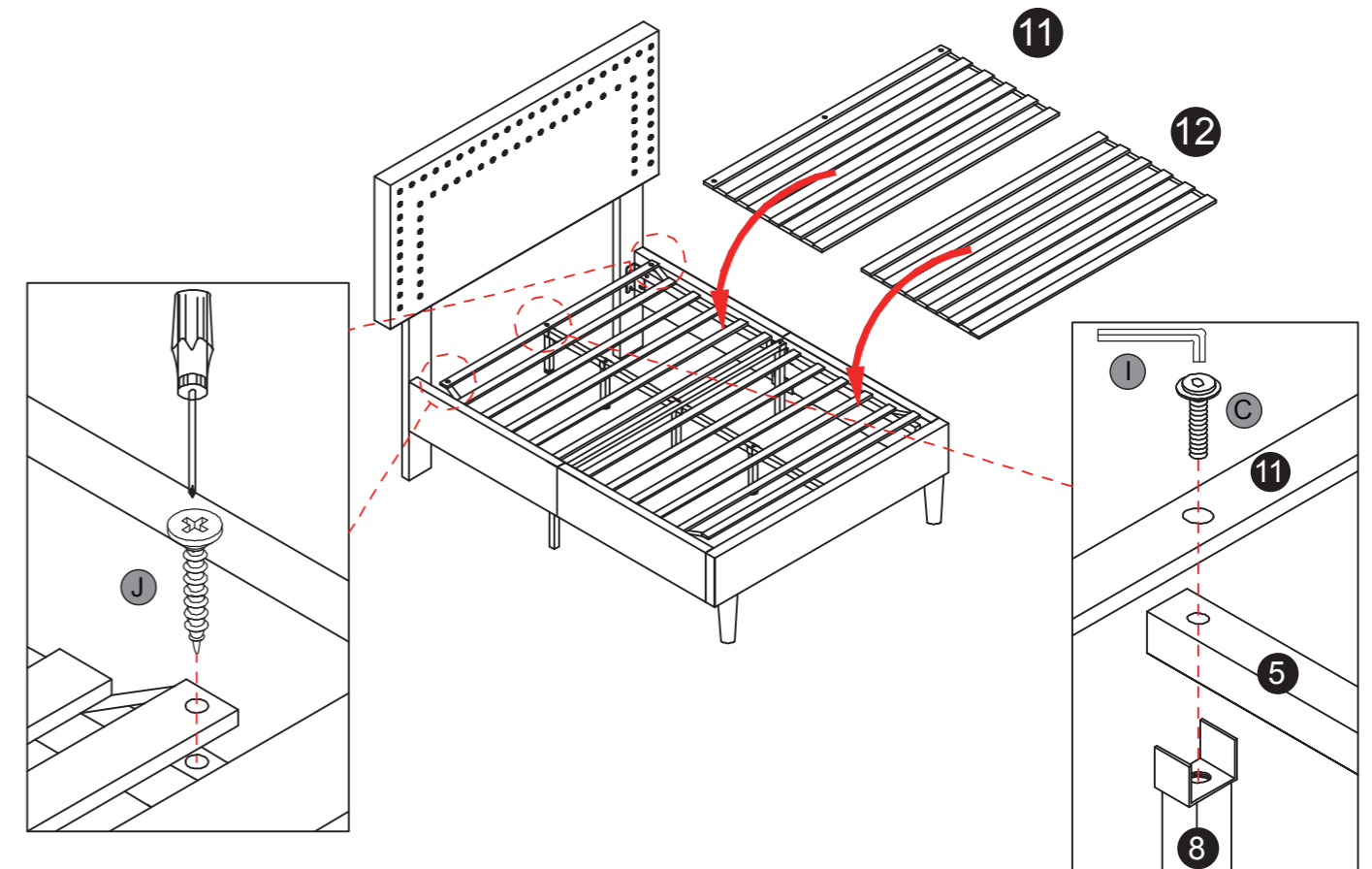
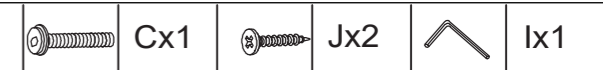


Components

1		1	5		1	9		1
	TWIN:106*55*7.2cm			TWIN:84.5*2.5*2.5cm			TWIN:32.4*8*3.1cm	
	FULL:144*55*7.2cm			FULL:84.5*2.5*2.5cm			FULL:32.4*8*3.1cm	
	QUEEN:159*55*7.2cm			QUEEN:90.5*2.5*2.5cm			QUEEN:32.4*8*3.1cm	
2		1	6		1	10		1
	TWIN:100*15.2*2.5cm			TWIN:97.9*8*2.5cm			TWIN:95*2.4*1.2cm	
	FULL:138*15.2*2.5cm			FULL:97.9*8*2.5cm			FULL:133*2.4*1.2cm	
	QUEEN:153.5*15.2*2.5cm			QUEEN:103.7*8*2.5cm			QUEEN:148.5*2.4*1.2cm	
3		4	7		2	11		1
	TWIN:95.3*15.2*4.5cm			TWIN:34.6*7.5*4.3cm			TWIN:95*5.2*1.2cm	
	FULL:95.3*15.2*4.5cm			FULL:34.6*7.5*4.3cm			FULL:133*5.2*1.2cm	
	QUEEN:100.8*15.2*4.5cm			QUEEN:34.6*7.5*4.3cm			QUEEN:148.5*5.2*1.2cm	
4		2	8		3	12		1
	TWIN:83*7*2.5cm			TWIN:32.4*3.1*2.5cm			TWIN:95*5.2*1.2cm	
	FULL:83*7*2.5cm			FULL:32.4*3.1*2.5cm			FULL:133*5.2*1.2cm	
	QUEEN:83*7*2.5cm			QUEEN:32.4*3.1*2.5cm			QUEEN:148.5*5.2*1.2cm	

A	 Bolt M8 x 25	2	A-1	 Preinstalled on components Bolt M8 x 25	4
B	 Bolt M8 x 45	4	C	 Bolt M8 x 45	5
D	 Spacer	4	E	 Angle iron	2
F	 Foot	2	G	 Angle iron (Left)	1
H	 Angle iron (Right)	1	I	 Allen Key M5	1
J	 Screw M4 x 25	2	L-1	 Preinstalled on components Bolt M8 x 18	22

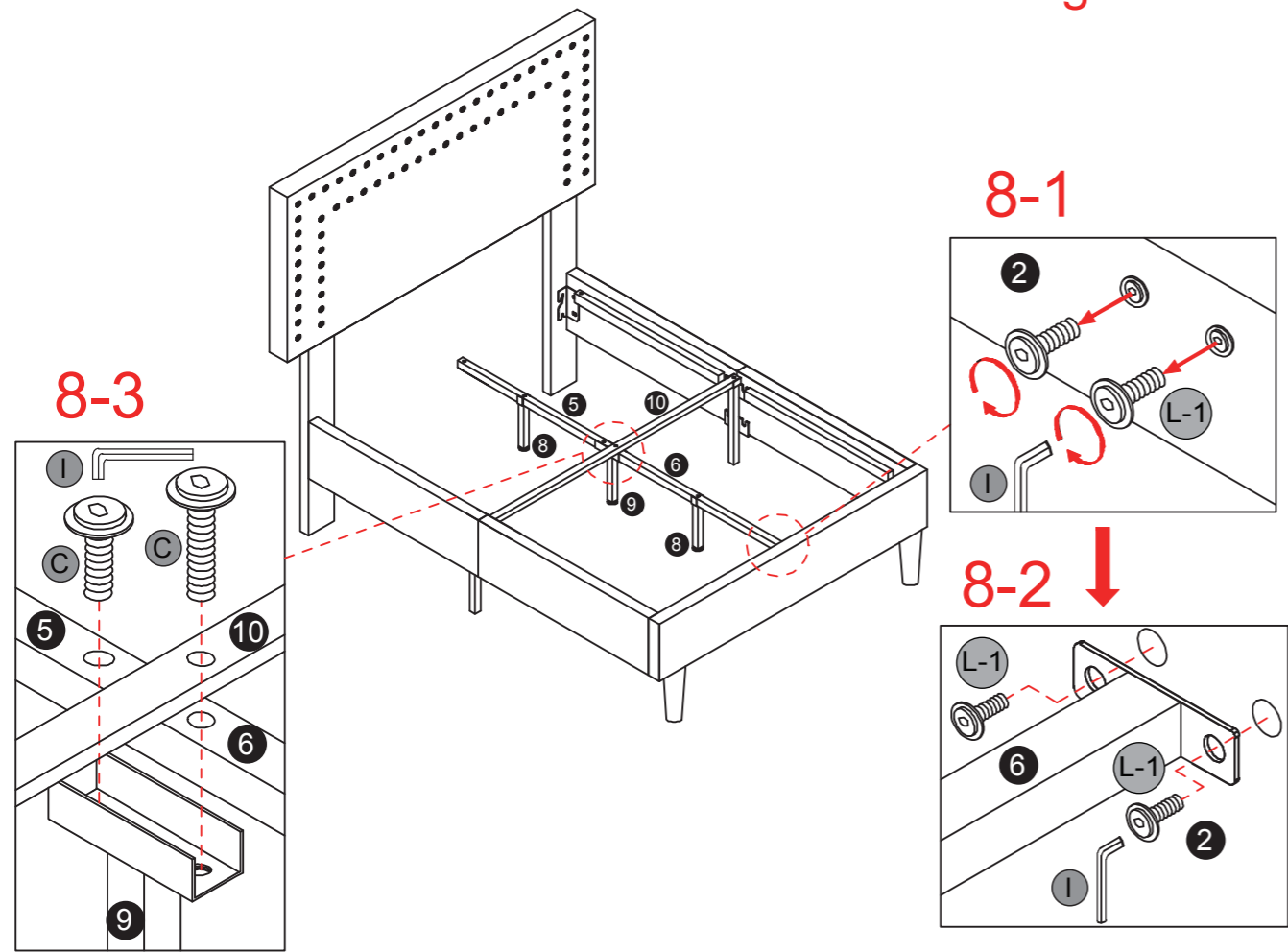
Step 9



Step 8

L-1 x 2 Cx2 I x1

Unscrew the original screw

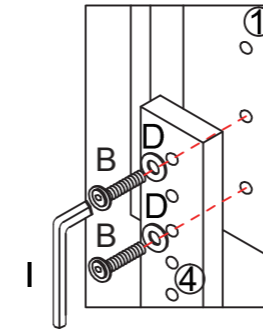


Tighten the original screw

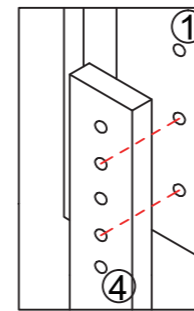
Step 1

Bx4 Dx4 Ix1

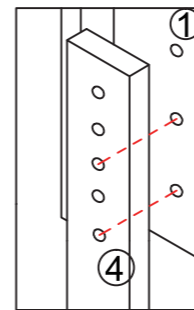
Each pair of holes corresponds to a mattress thickness as shown below



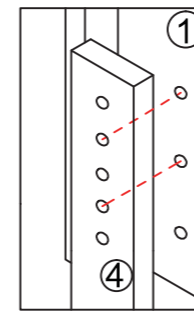
Use these holes to fit a 12 inch thick mattress (47.6 inch tall overall)



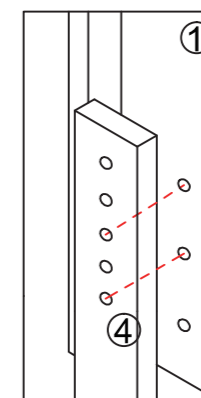
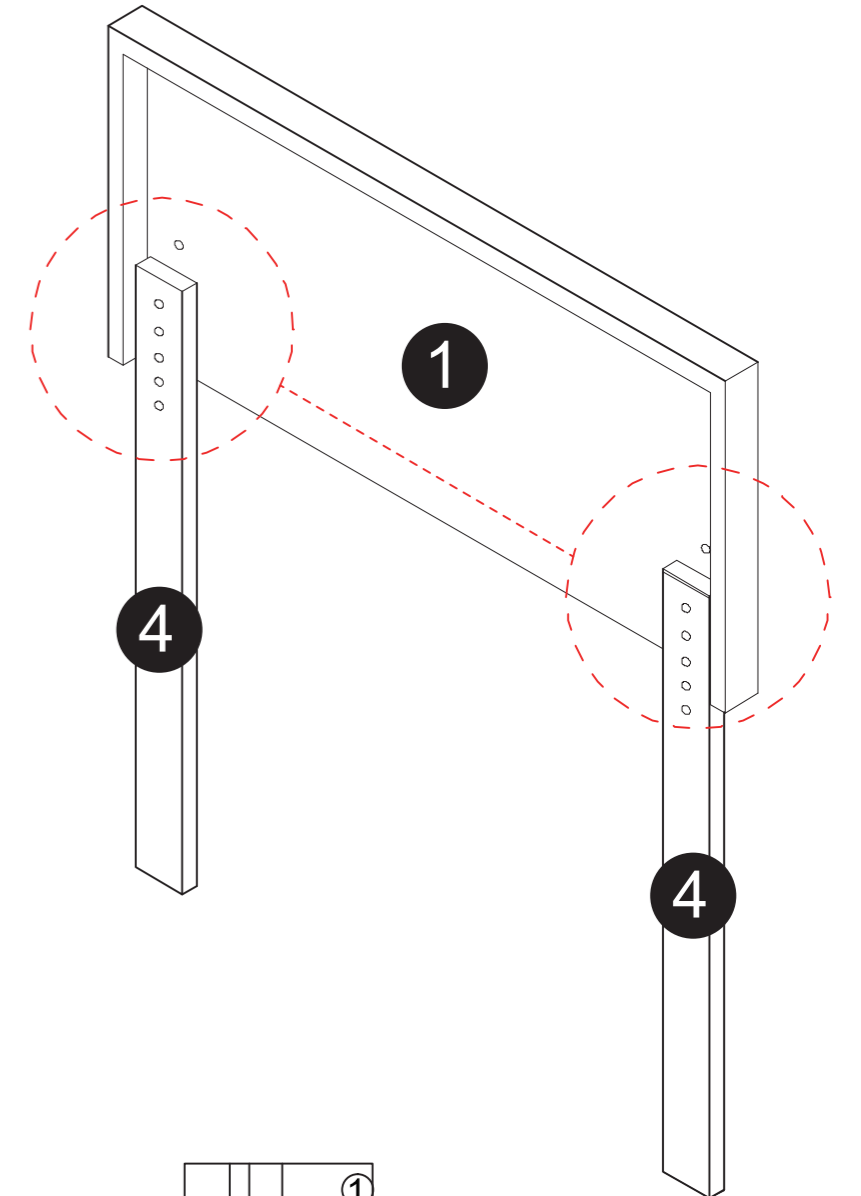
Use these holes to fit a 10 inch thick mattress (45.6 inch tall overall)



Use these holes to fit a 8 inch thick mattress (43.6 inch tall overall)



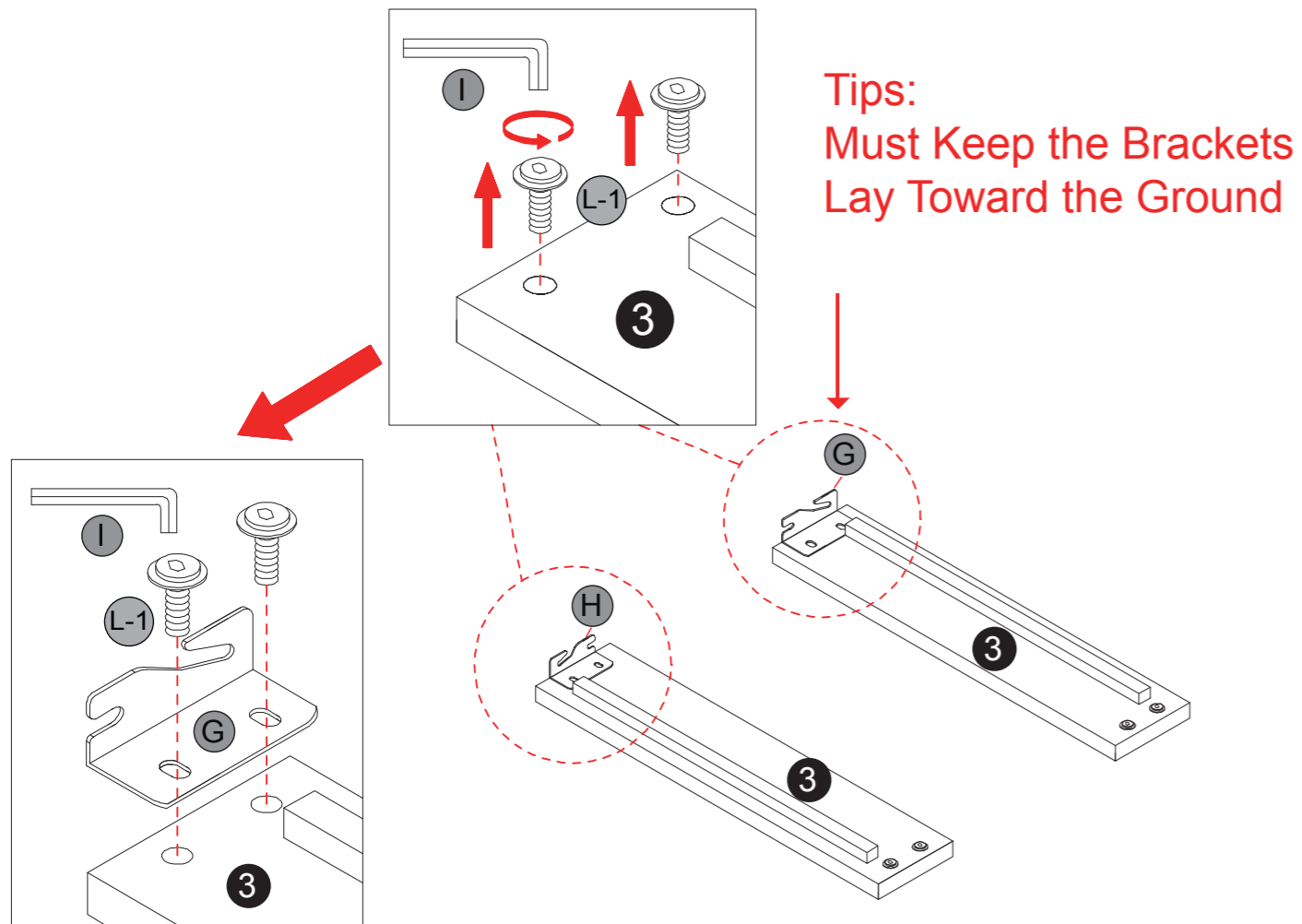
Use these holes to fit a 6 inch thick mattress (41.6 inch tall overall)



Use these holes to fit a 4 inch thick mattress (39.6 inch tall overall)

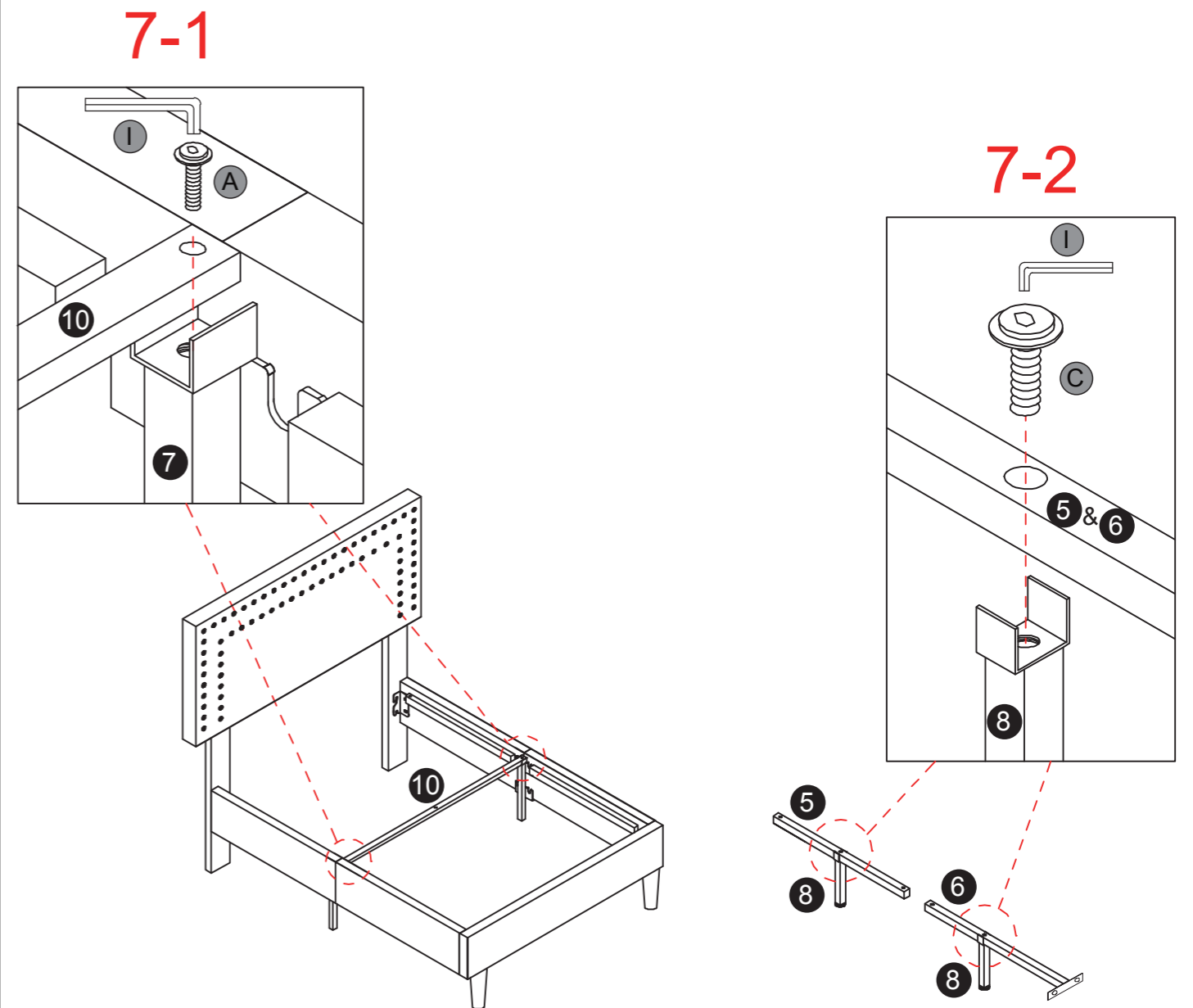
Step 2

- L-1 x 4
- Gx1
- Hx1
- Ix1



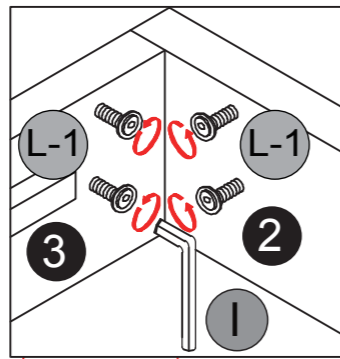
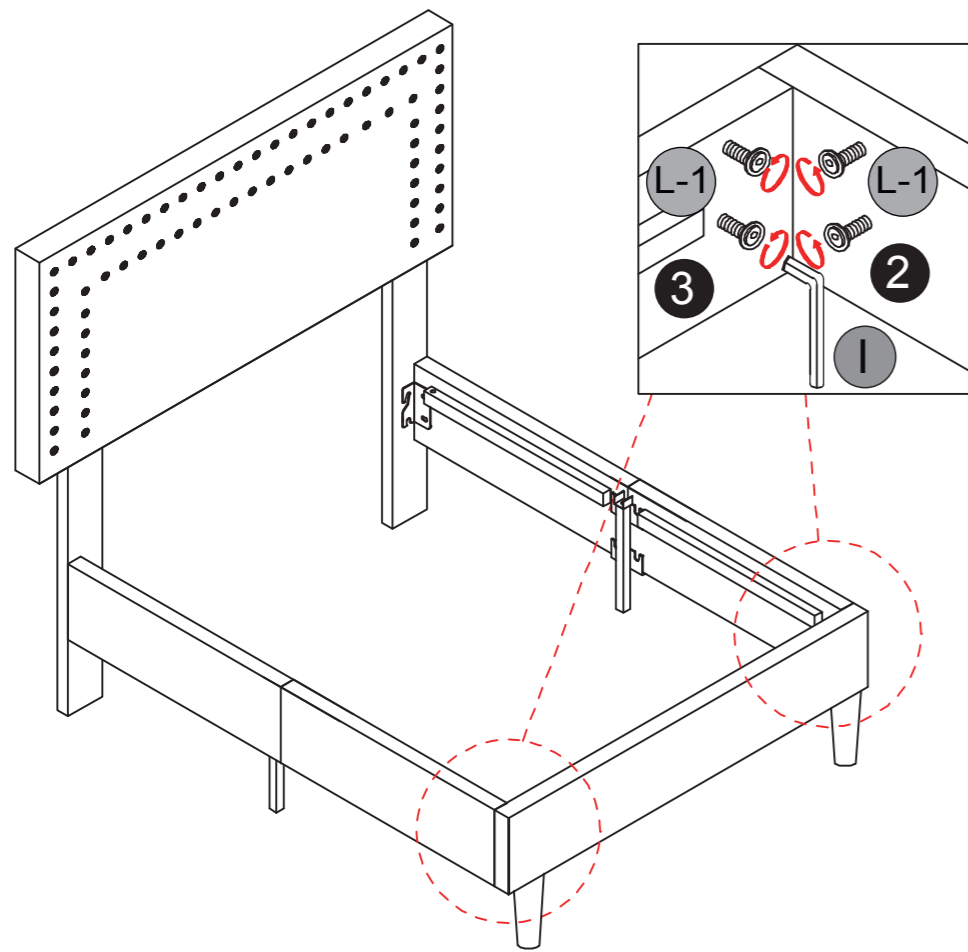
Step 7

- Ax2
- Cx2
- Ix1

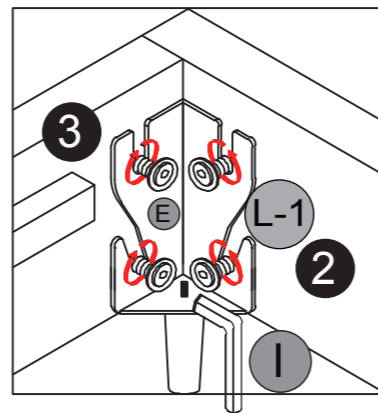


Step 6

L-1 x 8 1 x 1

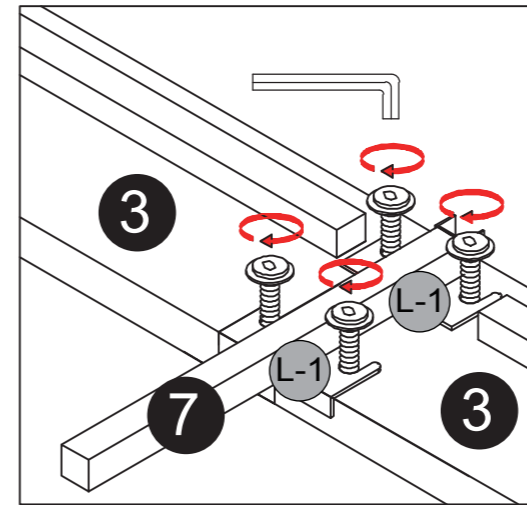
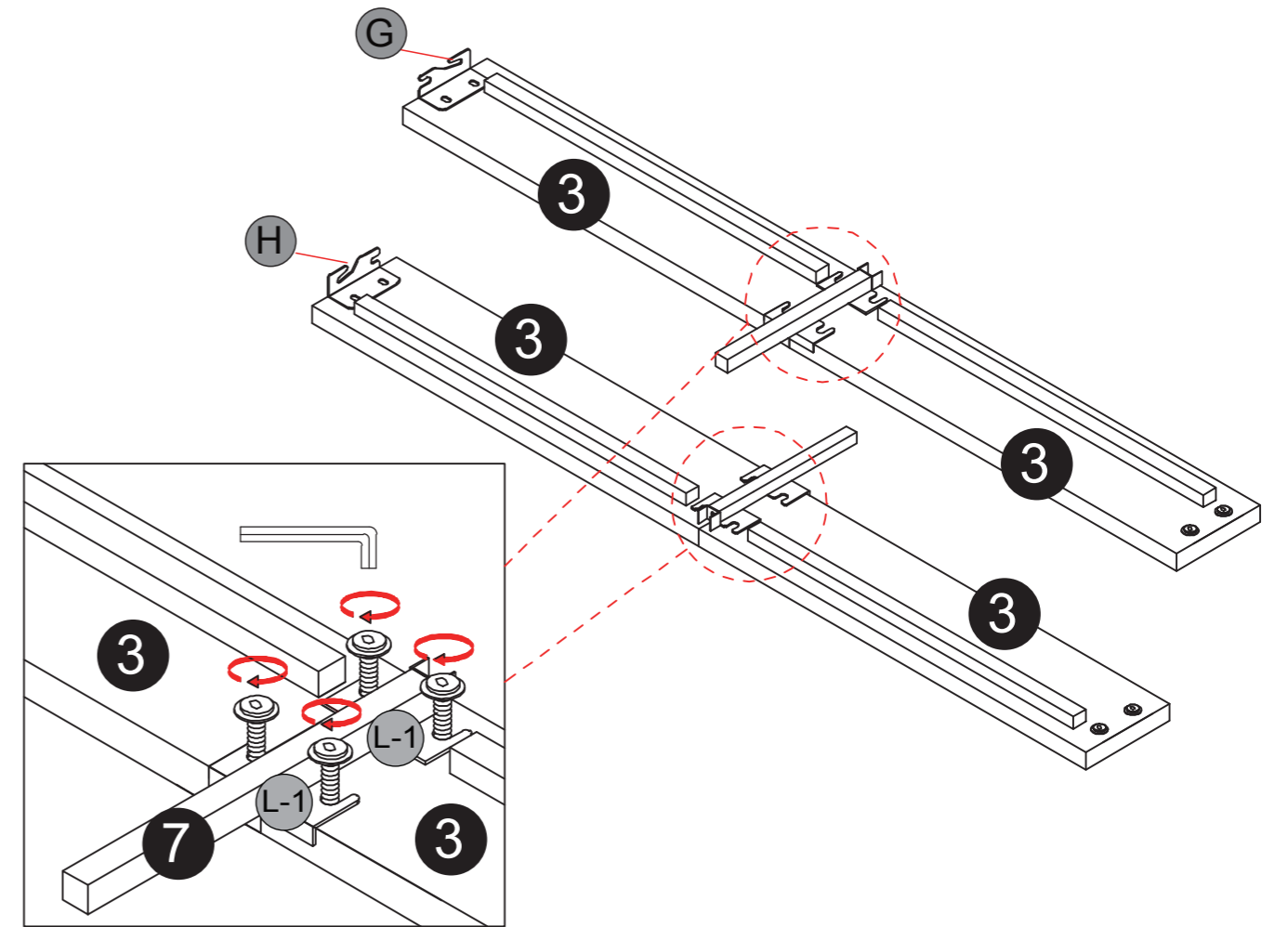


Tips:
Loose the Preinstalled
4 Screws for leg
Installation, and Then
Tighten Them Again.





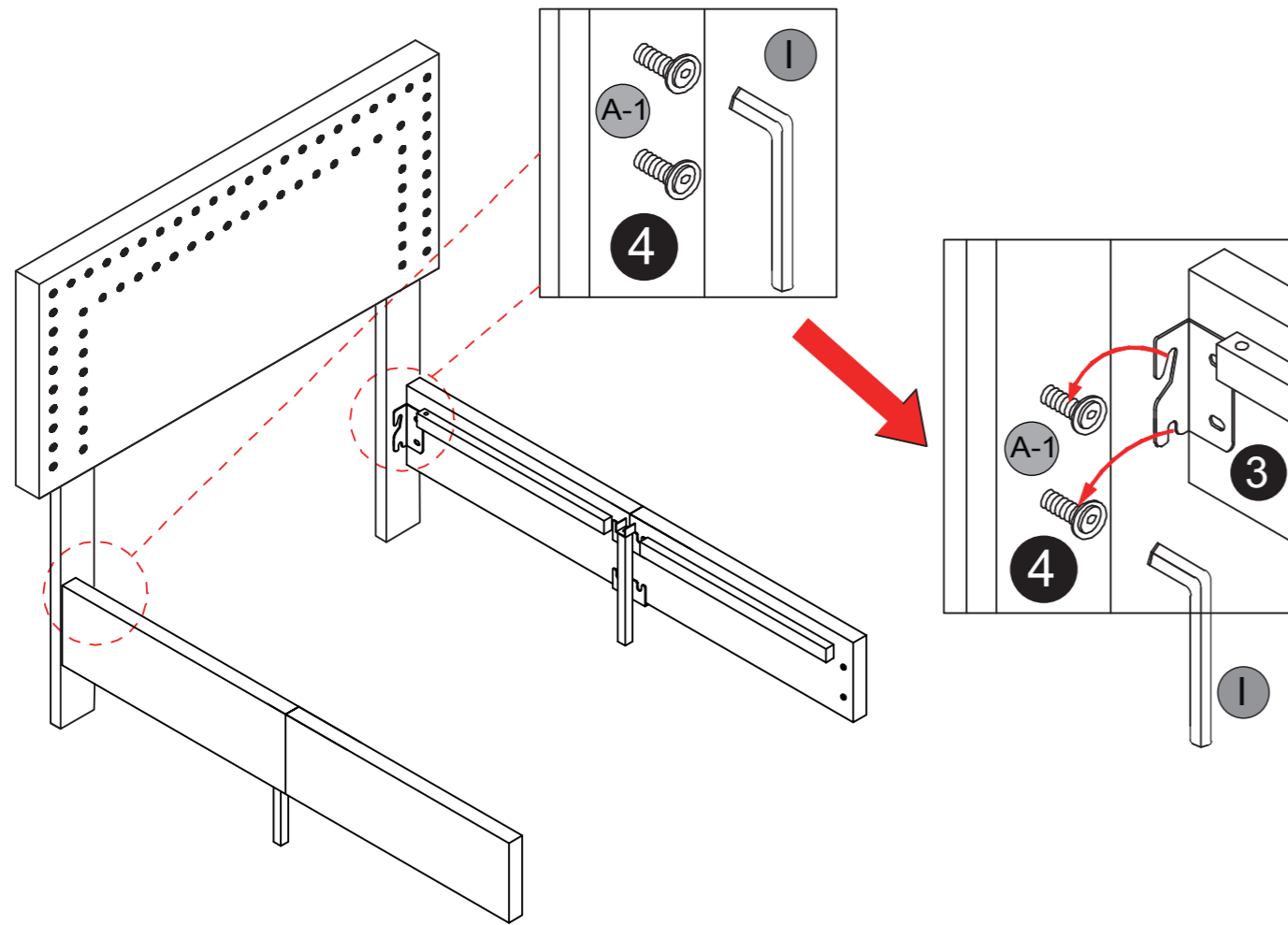
Step 3

L-1 x 8 7 x 2 1 x 1





Step 4

 A-1 x 4  Ix1



Step 5

 Ex2  Fx2

