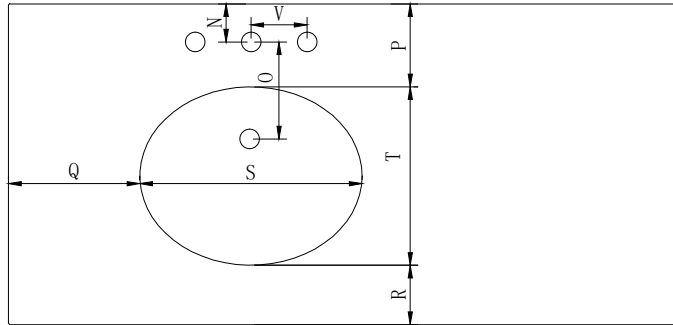


# 48" Single Vanity

All Dims Measured to the Nearest 0.1"



- A : Overall Width = 48" / 121.9cm.
- B : Overall Depth = 23" / 58.4 cm.
- C : Counter Height = 35 5/8" / 90.6 cm.
- D : Cabinet Width = 47 1/4" / 119.9 cm.
- E : Plumbing Cutout Height = 12" / 30.5 cm.
- F : Plumbing Cutout Width = 12" / 30.5 cm.
- G : Edge of Cabinet to Edge of Cutout = 10" / 25.4 cm.
- H : Floor to Bottom of Cutout = 16 3/4" / 42.4 cm.
- I : Drawer Height:  
I1 = 6 1/8" / 15.6 cm.
- J : Drawer Width:  
J1 = 12 3/8" / 31.4 cm.

- K : Door Height = 27 1/4" / 69.2cm.
- L : Door Width = 12 7/8" / 32.7 cm.
- M : Toe Kick Height = 2 3/8" / 6.0 cm.
- N : Rear Edge of Counter to Rear Edge of Faucet Hole = 2 3/4" / 6.9 cm.
- O : Centerline of Faucet Hole to Drain Hole = 7" / 17.7 cm.
- P : Rear Edge of Counter to Rear Edge of Sink = 6" / 15.1 cm.
- Q : Edge of Counter to Edge of Sink = 9 3/8" / 23.9 cm.
- R : Front Edge of Counter to Front Edge of Sink = 4 1/4" / 10.8 cm.
- S : Sink Width = 16" / 40.5 cm.
- T : Sink Depth Front/Back = 12 3/4" / 32.5 cm.
- U : Distance between Sinks = w/o.
- V : Rear Middle of Counter to Rear Middle of Faucet Hole = 4" / 10.2 cm.

