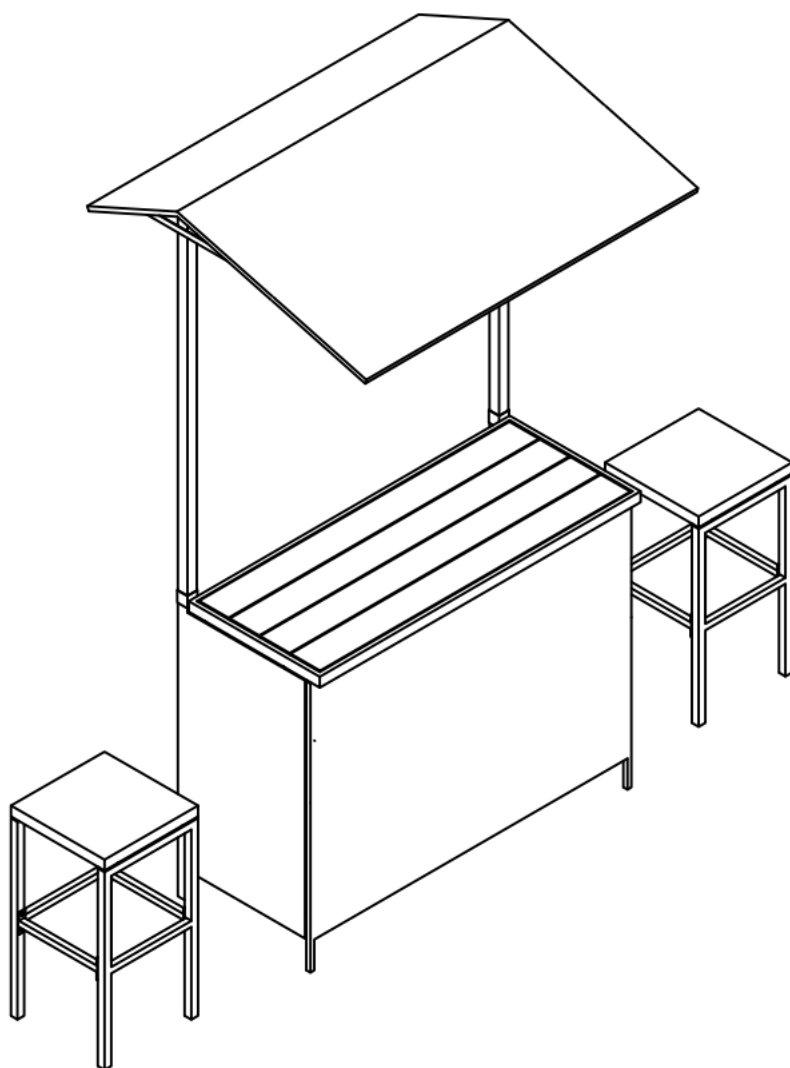


PATIO BAR SET ASSEMBLY INSTRUCTION



ATTENTION

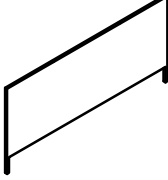
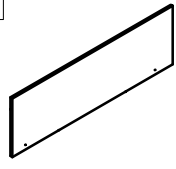
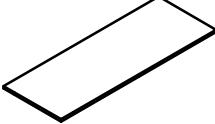
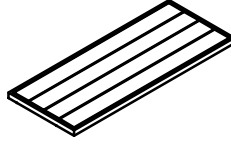
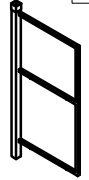



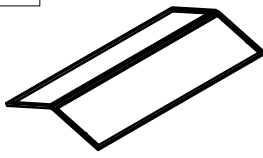
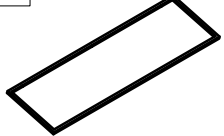

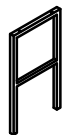
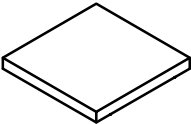

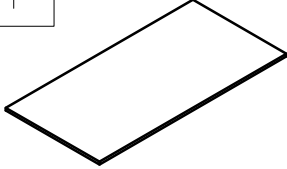






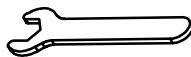
Thanks for choosing our product.

- 1. Please check the part list carefully to make sure you've received all the parts.**
- 2. If there are any missing parts, please contact us with the number and quantity. We will send them to you ASAP.**
- 3. If there are any damaged parts, please contact us with clear pictures or video. We'll offer you the best solution after confirming it.**

NOTE

- 1. If one or some screws are fully tightened during assembly, the others screws may not be aligned with screw holes. 50% tighten before fastening all screws. Allen wrench is recommended instead of an electric drill.**
- 2. If some screws are not aligned with holes during assembly, please loosen all the other screws to 50% and continue the assembly process.**
- 3. If the items is not stable, please loosen all the screws, adjust it on a flat ground and tighten all the screws.**
- 4. Please don't put the furniture outside without any sunshades in rainy, snowly days. Waterproof cover is recommended for keeping it last several years.**
- 5. The set is manually woven by hands. The PE rattan weave of each set is different. Each model is unique.**

Parts List

A 	B 	C 	D 	E Left 
1PC	1PC	2PCS	1PC	1PC
F Right 	G Left 	H Right 	J 	K 
1PC	1PC	1PC	1PC	1PC
L 	M 	N 	O 	P 
1PC	4PCS	2PCS	4PCS	1PC
#1 	#2 	#3 	#4 	#5 
M6 3PCS	M6*14 62PCS	M6*15mm 24PCS	M6*40mm 32PCS	M6*50mm 3PCS
#6 	#7 			
1PC	1PC			

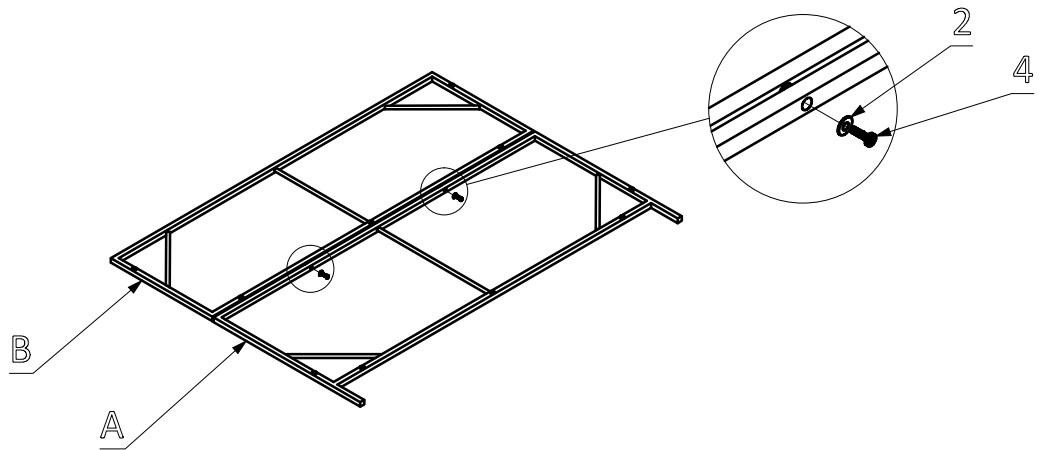
STEP 1

A*1

B*1

#2*2

#4*2



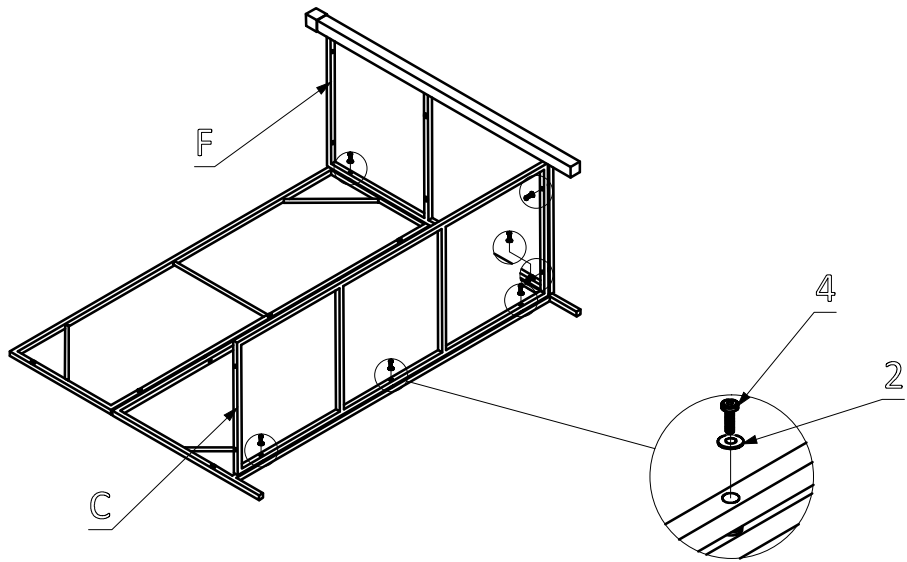
STEP 2

C*1

F*1

#2*7

#4*7



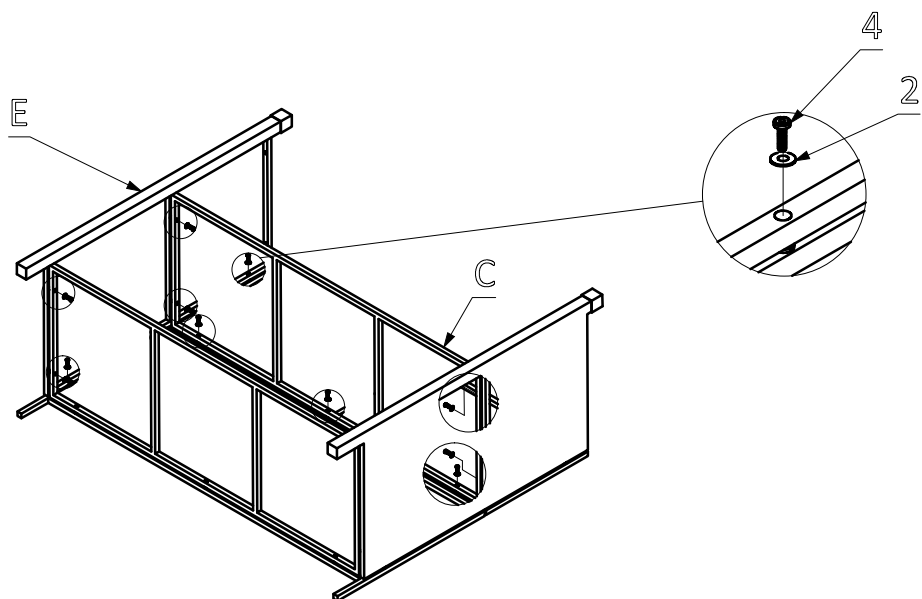
STEP 3

C*1

E*1

#2*11

#4*11

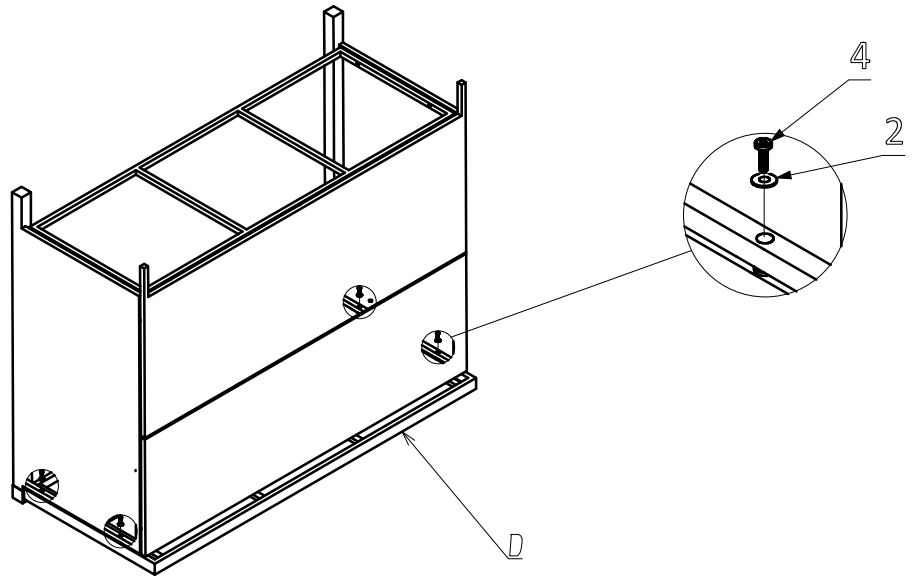


STEP 4

D * 1

#2 * 4

#4 * 4



STEP 5

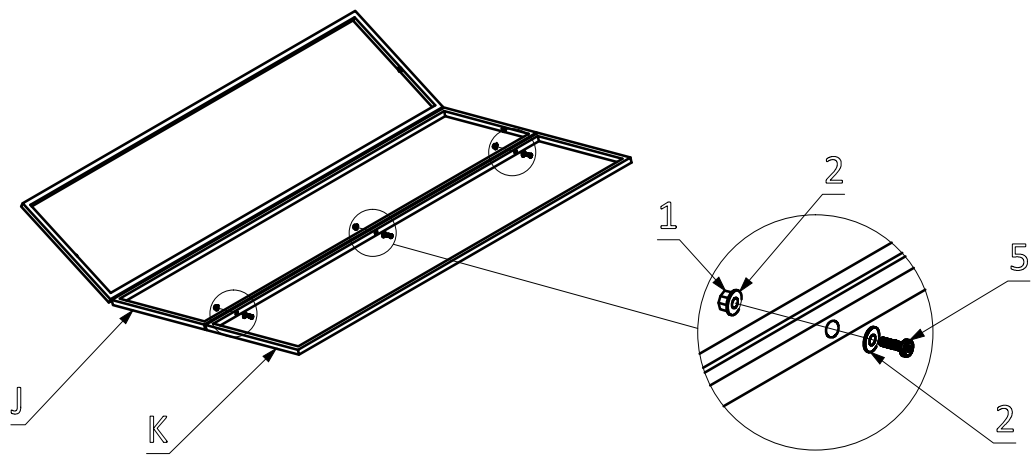
J * 1

K * 1

#1 * 3

#2 * 6

#5 * 3



STEP 6

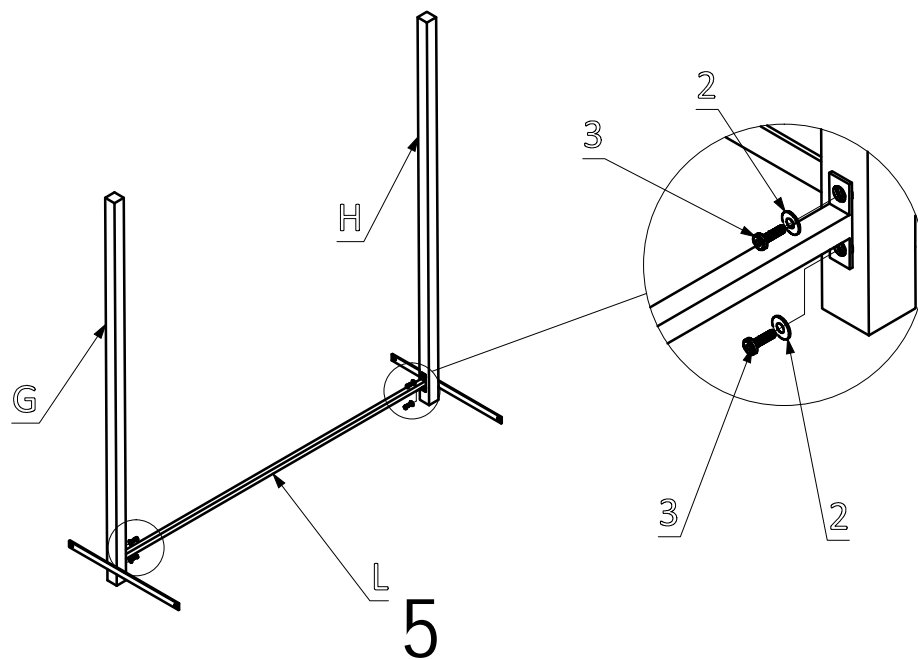
G * 1

H * 1

L * 1

#2 * 4

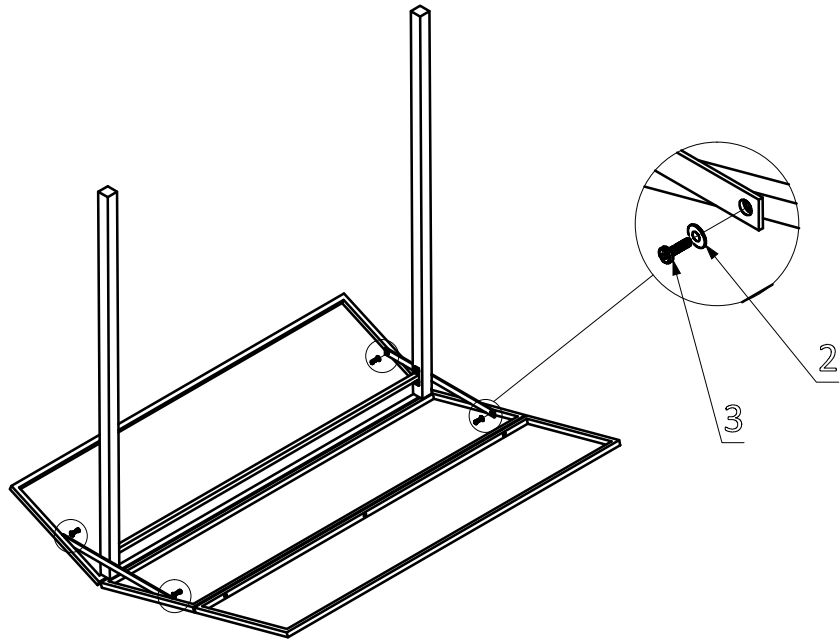
#3 * 4



STEP 7

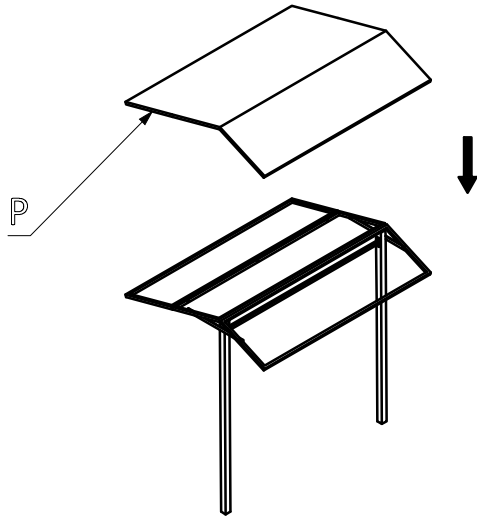
#2*4

#3*4

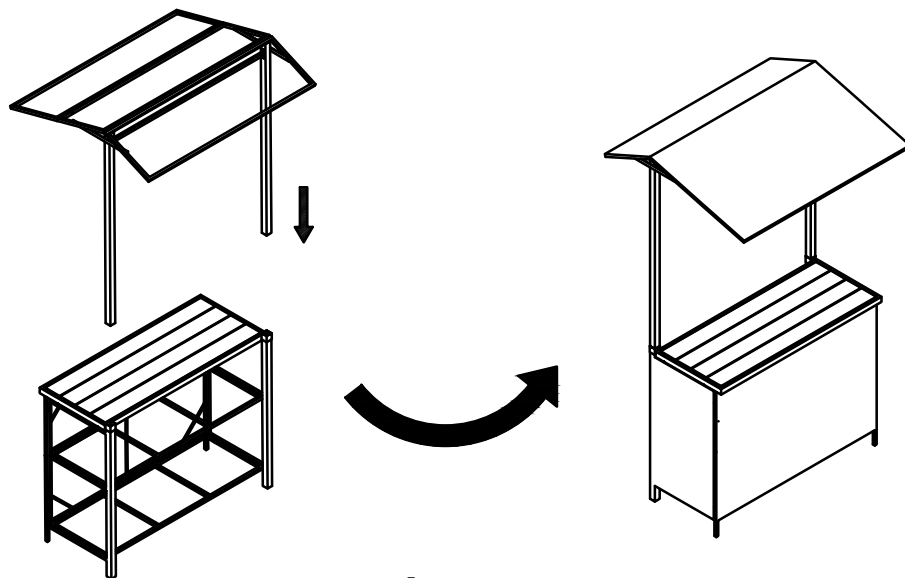


STEP 8

P*1



STEP 9

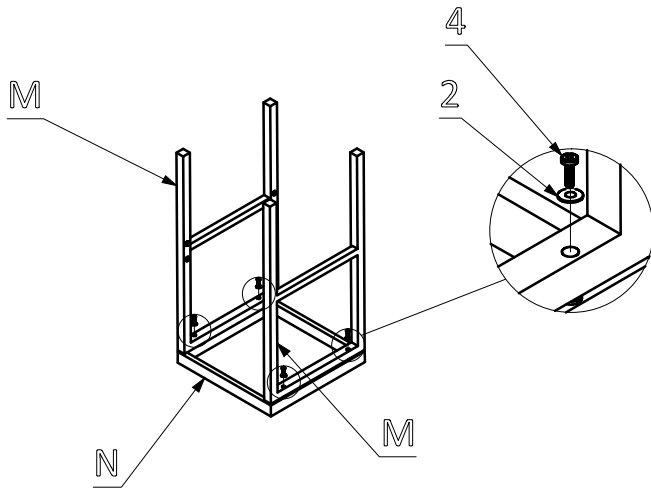


6

STEP 10

- M*2
- N*1
- #2*4
- #4*4

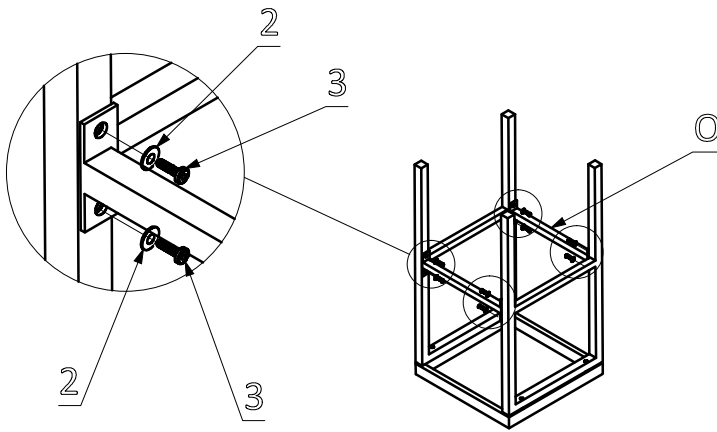
x2



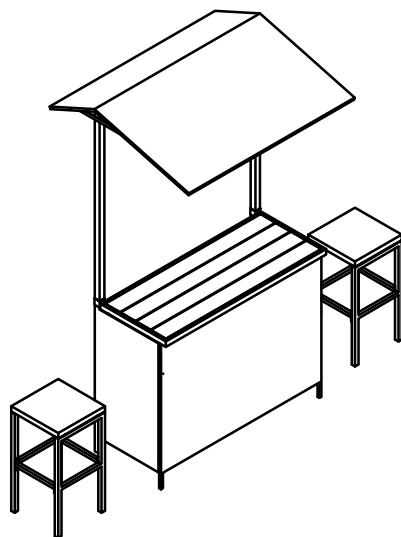
STEP 11

- O*2
- #2*8
- #3*8

x2



STEP 12



WARRANTY

So glad you have completed the assembly and can enjoy it. If you are satisfied with our products, thank you for showing your favored outdoor porch swing to your around.

Our products come with a 12-month warranty, you can feel free to contact us at any time.

AFTER-SALE POLICY

For return reason:

Wrong purchase, bought by mistake, no longer needed, doesn't meet expectation, a size smaller than expectation, customer need to cover the return shipping fee.

For cancel order:

Customer needs to pay for shipping fee and carrier handle fee if the item has been shipped out.

For change address: customer needs to pay for extra shipping fee and carrier handle fee if the item has been shipped out.

Customer Service:

Any problem with the product or shipping issue, please feel free to contact us, we will try our best to serve and help.