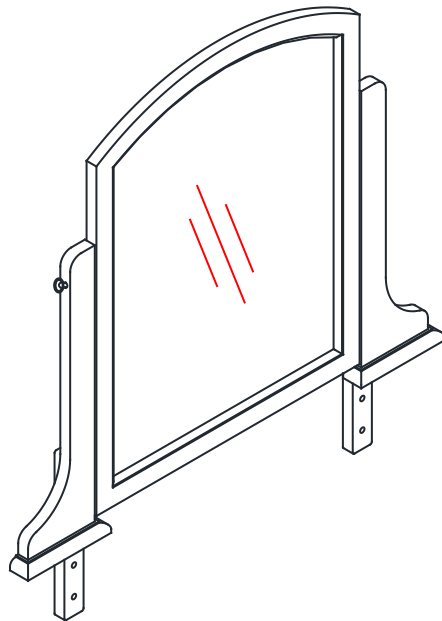
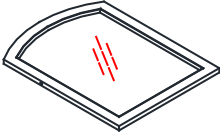
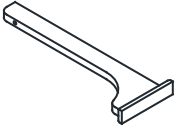
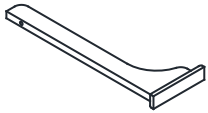







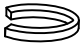


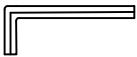
Vanity Mirror
CF7014



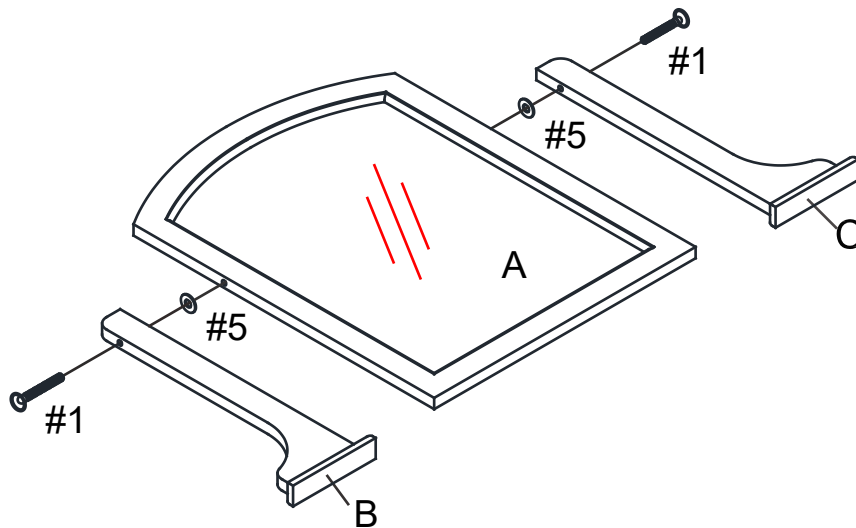
PART LIST

<div style="border: 1px solid black; padding: 5px; text-align: center;"> A  </div>	<div style="border: 1px solid black; padding: 5px; text-align: center;"> B  </div>	<div style="border: 1px solid black; padding: 5px; text-align: center;"> C  </div>	<div style="border: 1px solid black; padding: 5px; text-align: center;"> D  </div>
Mirror 1 PC	Left Post 1 PC	Right Post 1 PC	Support Rail 2 PCS

HARDWARE LIST

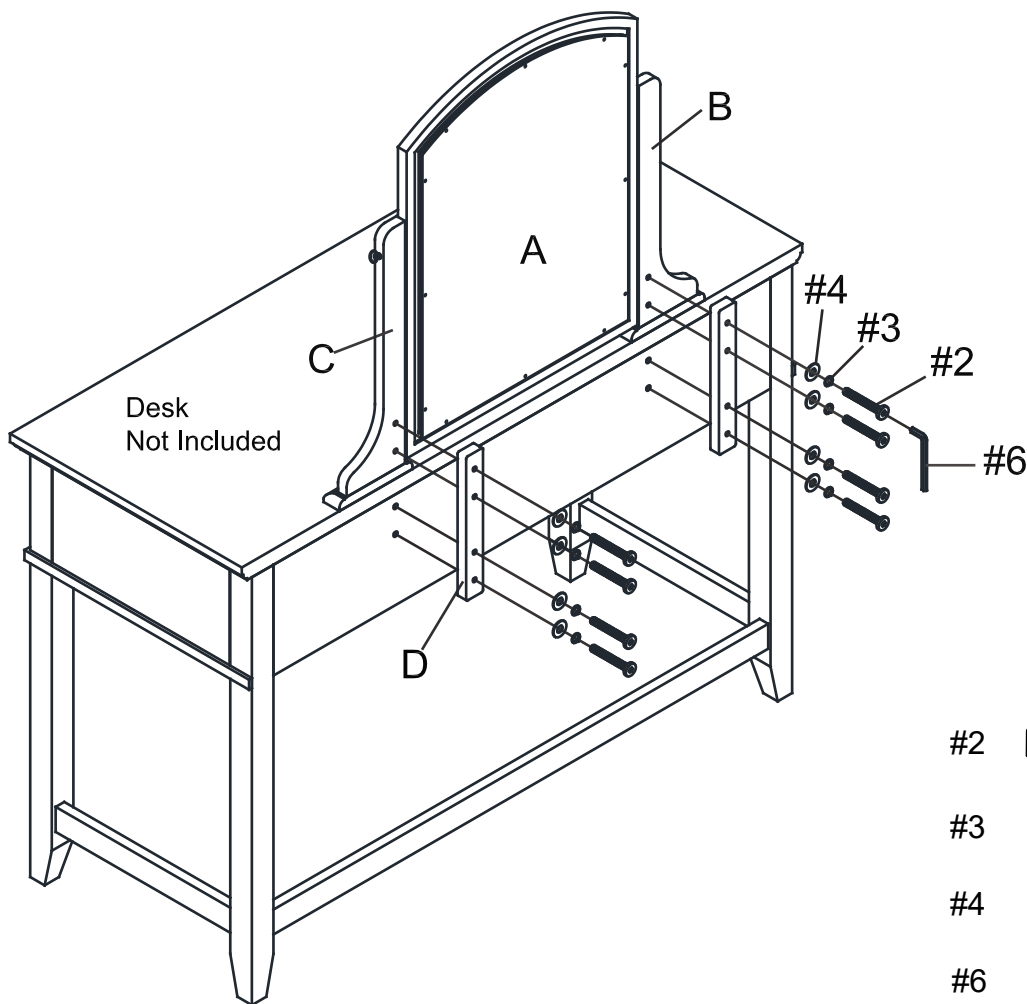
<div style="border: 1px solid black; padding: 5px; text-align: center;"> #1  </div>	<div style="border: 1px solid black; padding: 5px; text-align: center;"> #2  <p>1-1/4" x Ø1/4" x D12</p> </div>	<div style="border: 1px solid black; padding: 5px; text-align: center;"> #3  </div>	<div style="border: 1px solid black; padding: 5px; text-align: center;"> #4  </div>	<div style="border: 1px solid black; padding: 5px; text-align: center;"> #5  </div>
Mirror Bolt 2 PCS	Short Bolt 8 PCS (Extra 1)	Spring Washer 8 PCS (Extra 1)	Flat Washer 8 PCS (Extra 1)	Plastic Washer 2 PCS
<div style="border: 1px solid black; padding: 5px; text-align: center;"> #6  </div>				
Allen Wrench 1 PC				




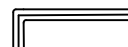
Step 1. Carefully lay mirror (part A) upside down on soft flat surface, such as carpet, as shown below. Attach left post (part B) and right post (part C) to mirror (part A) using mirror bolts (part #1) and plastic washers (part #5).



- | | | |
|----|---|-----|
| #1 |  | x 2 |
| #5 |  | x 2 |

Step 2. Attach support rails (part D) to assembled unit (parts A, B & C) and assembled desk (*Not Included) using short bolts (part #2), spring washers (part #3), flat washers (part #4) and allen wrench (part #6).



- | | | |
|----|---|-----|
| #2 |  | x 8 |
| #3 |  | x 8 |
| #4 |  | x 8 |
| #6 |  | x 1 |