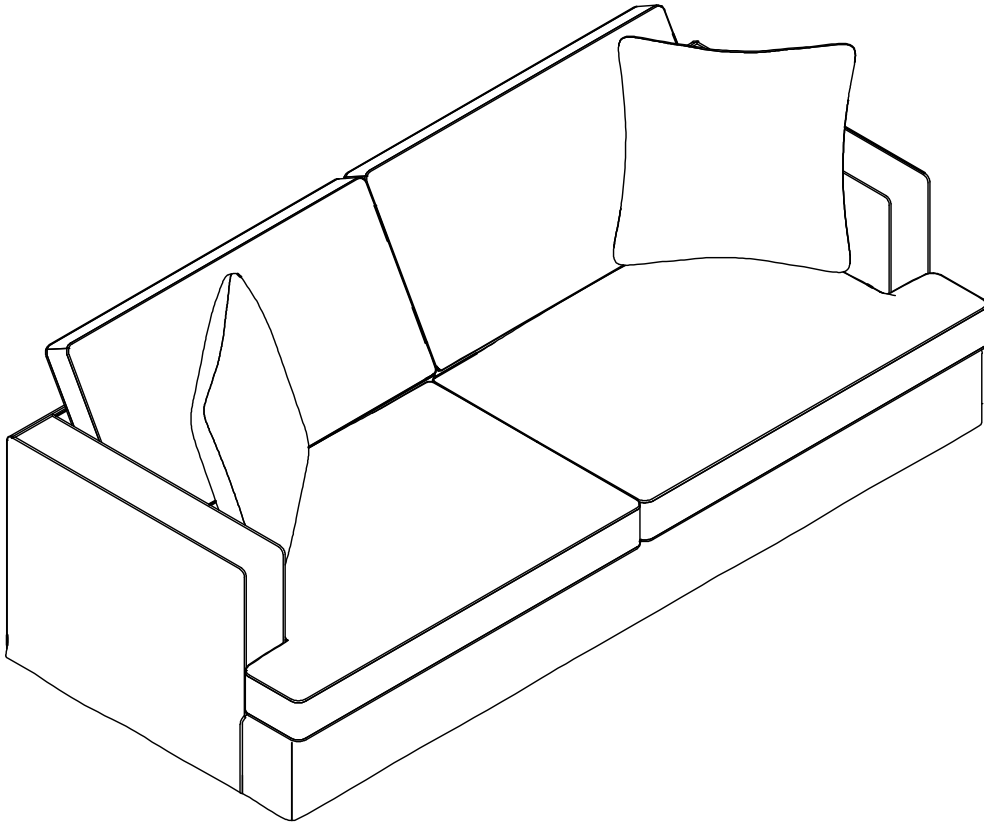
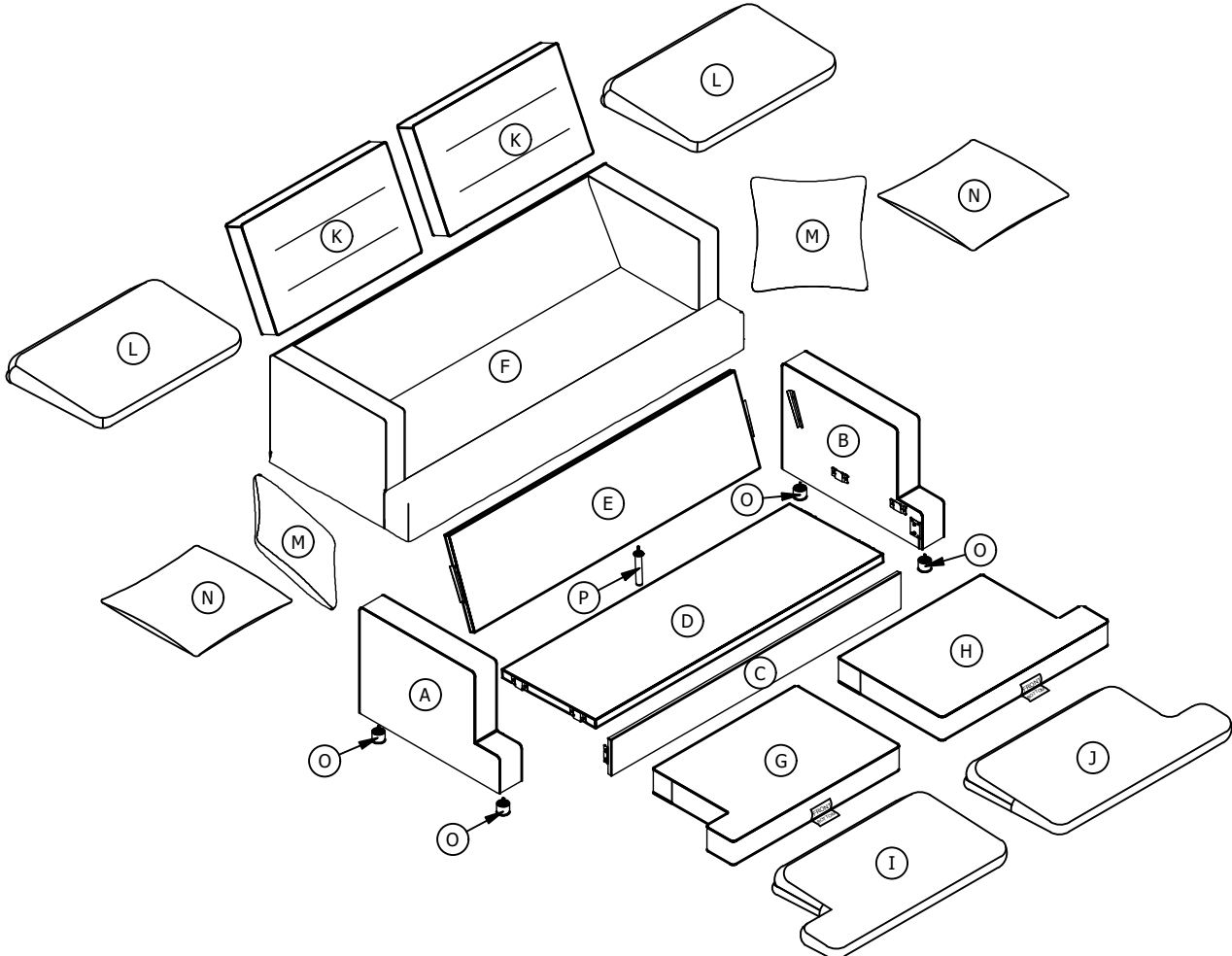


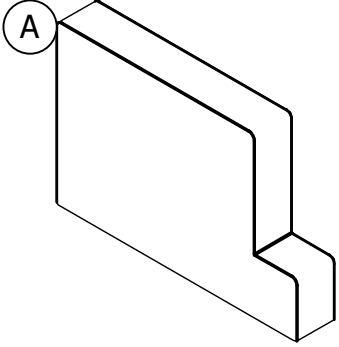
# Assembly Instruction



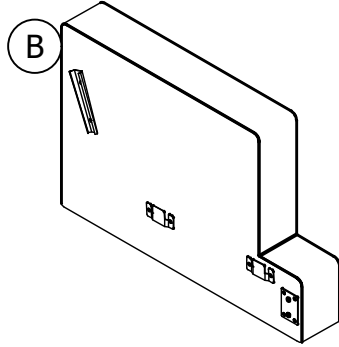
## PARTS



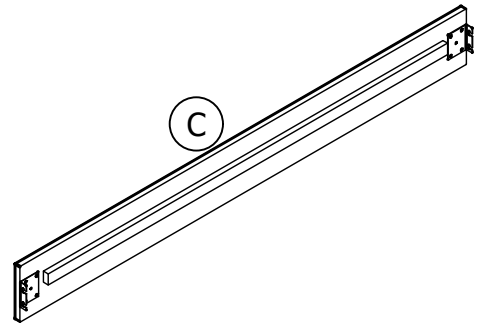
# PARTS LIST



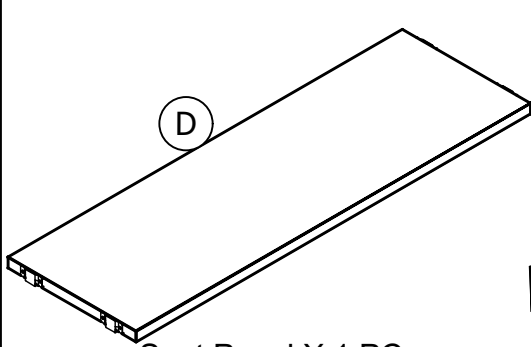
Armrest X 1 PC



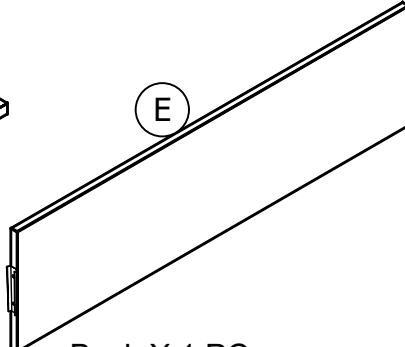
Armrest X 1 PC



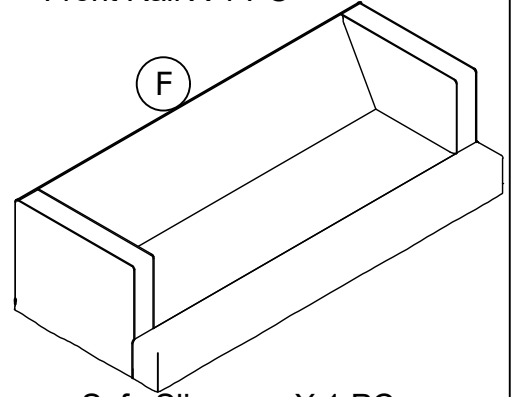
Front Rail X 1 PC



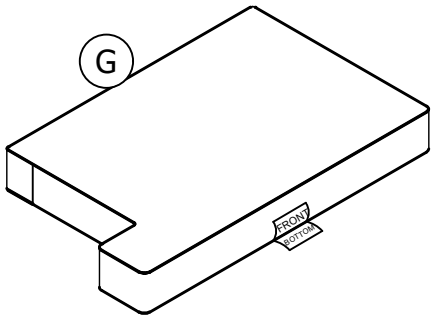
Seat Panel X 1 PC



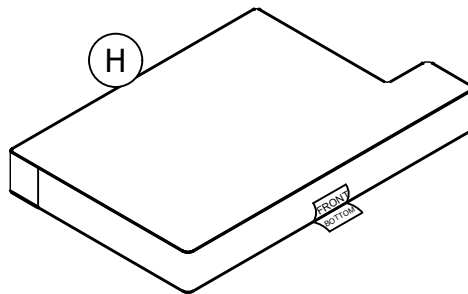
Back X 1 PC



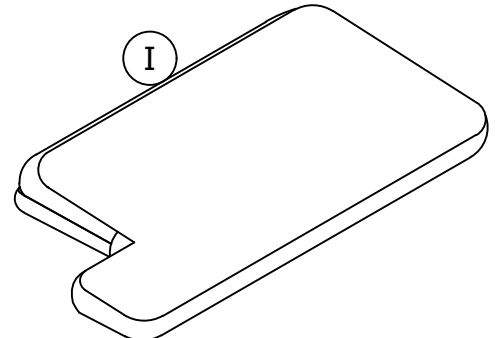
Sofa Slipcover X 1 PC



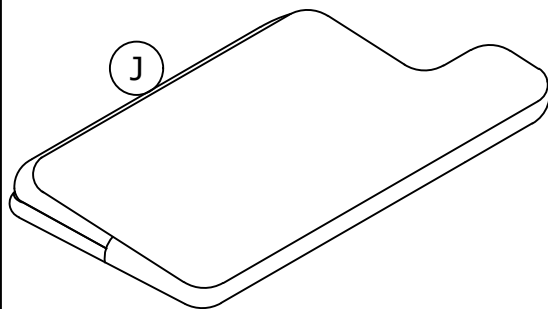
Seat Cushion X 1 PC



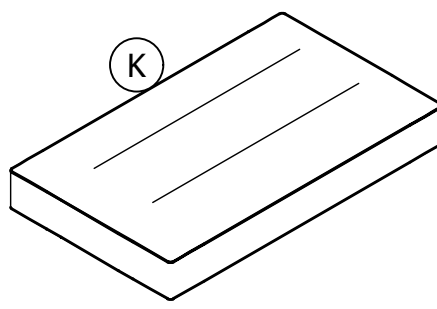
Seat Cushion X 1 PC



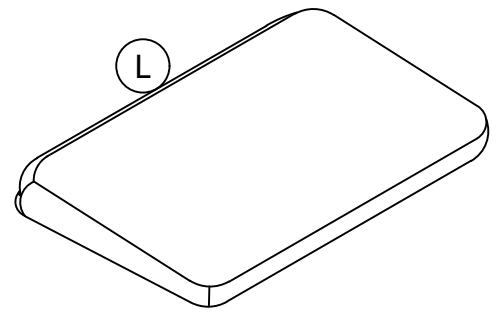
Seat Slipcover X 1 PC



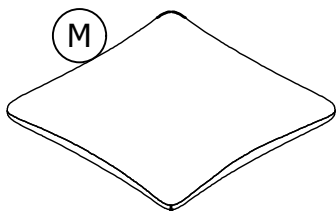
Seat Slipcover X 1 PC



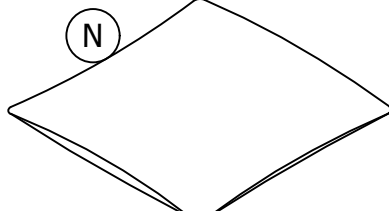
Back Cushion X 2 PCS



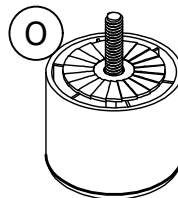
Back Slipcover X 2 PCS



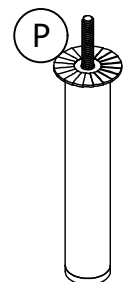
Pillow X 2 PCS



Pillow Slipcover X 2 PCS



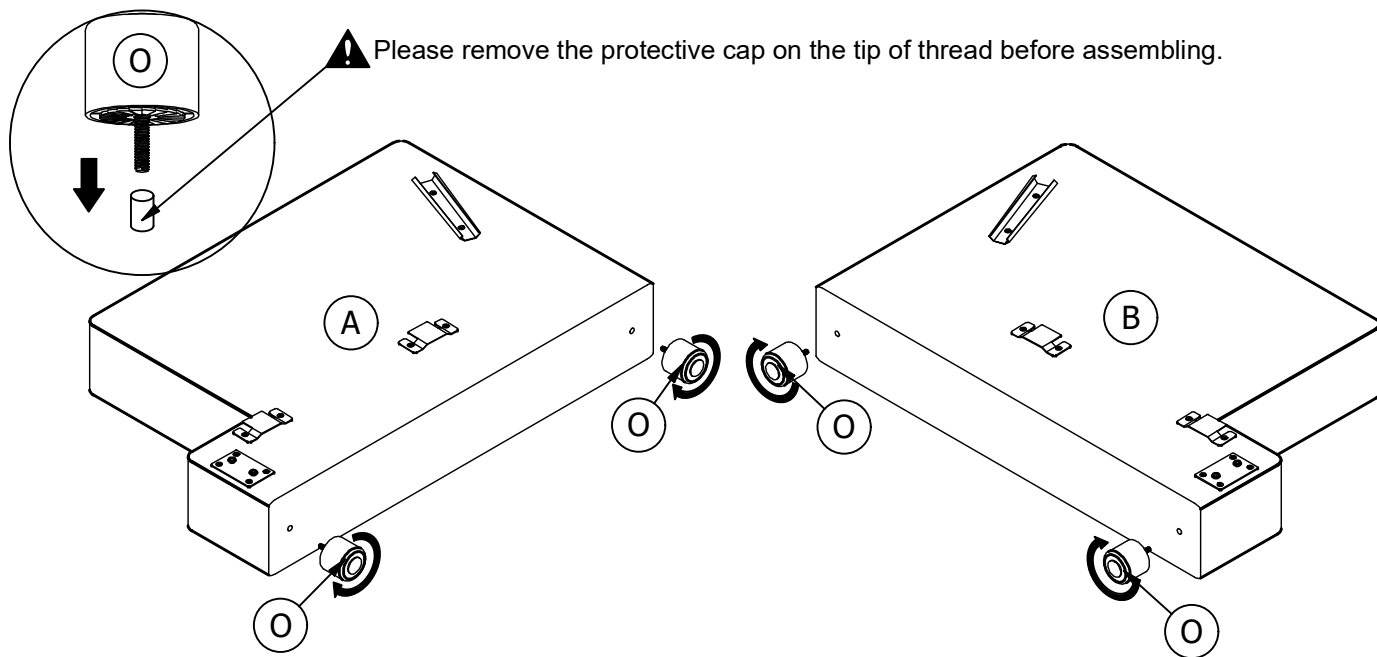
Leg X 4 PCS



Support Leg X 1 PC

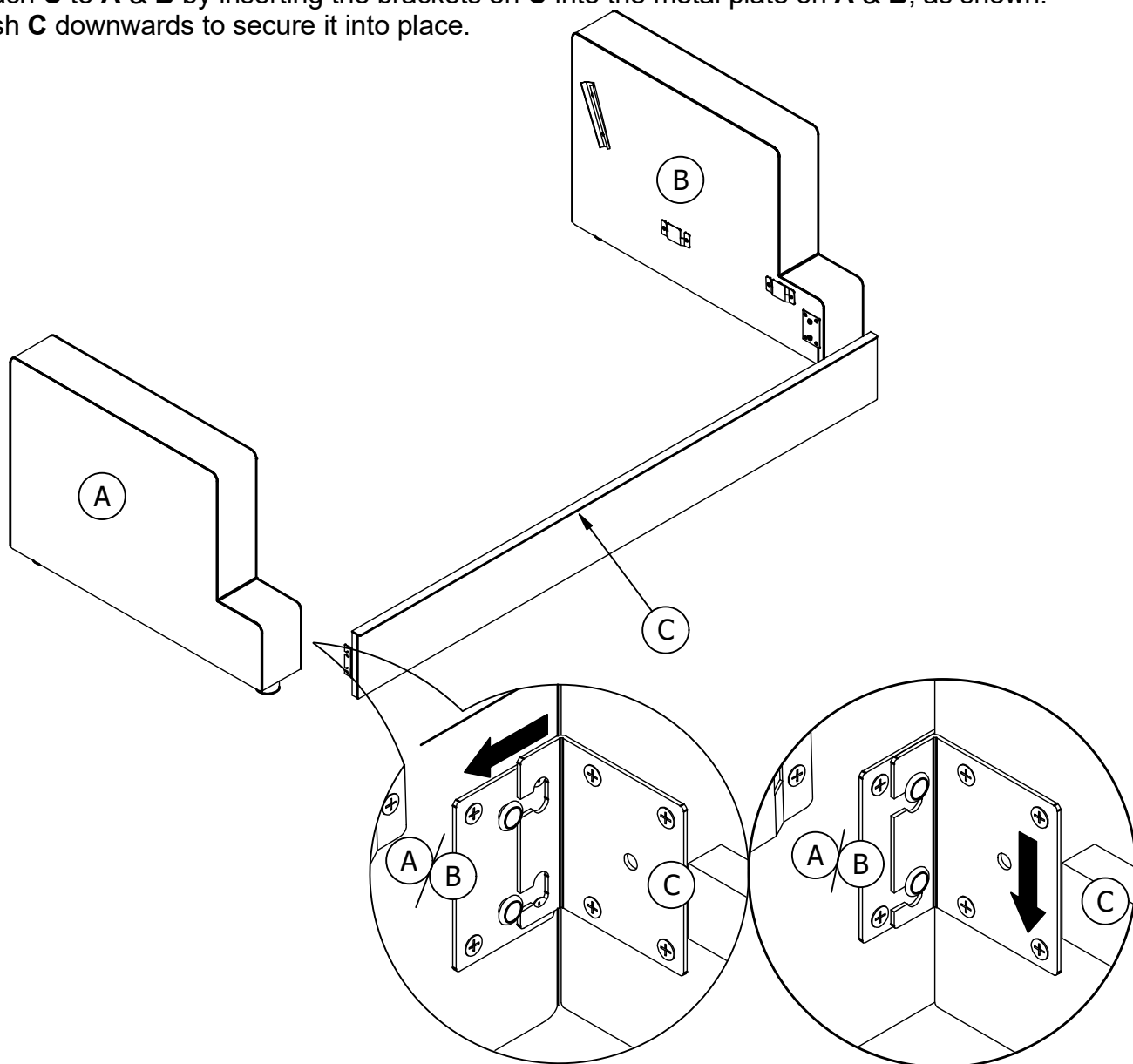
Place all parts on a clean, smooth surface.

**STEP 1:** Manually screw **O** x 4 to **A** & **B**, as shown.

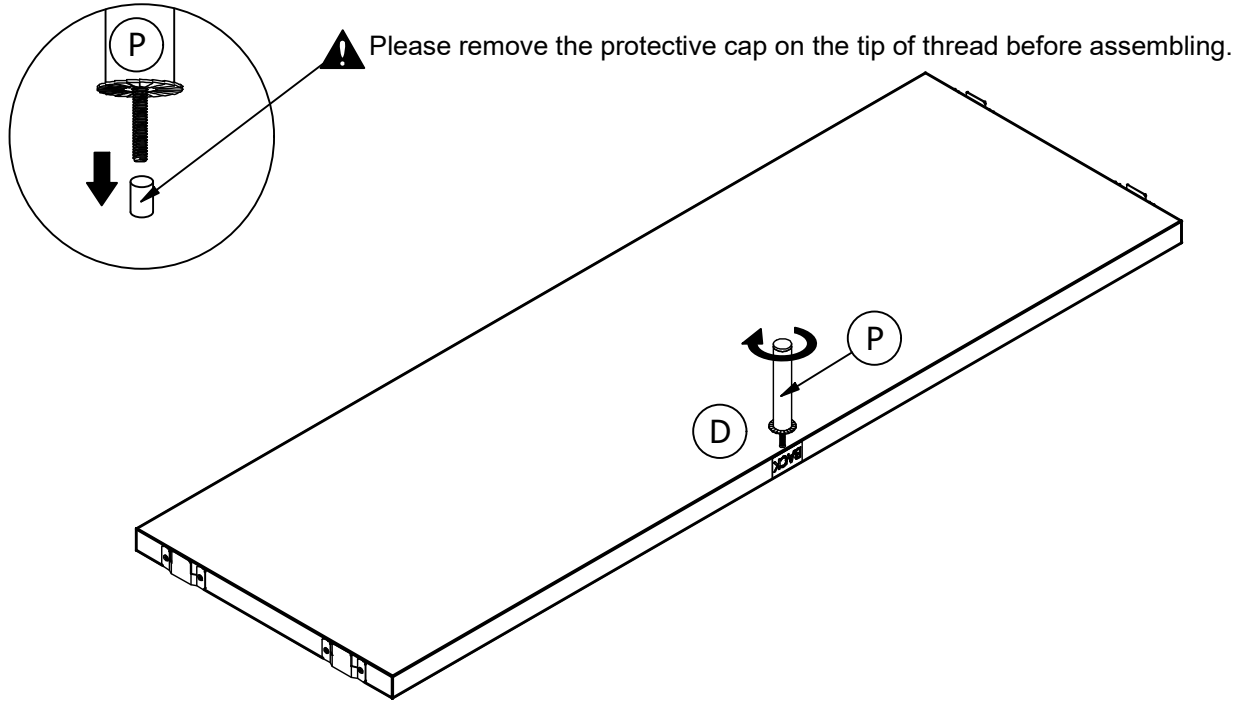


**STEP 2:**

Attach **C** to **A** & **B** by inserting the brackets on **C** into the metal plate on **A** & **B**, as shown. Push **C** downwards to secure it into place.

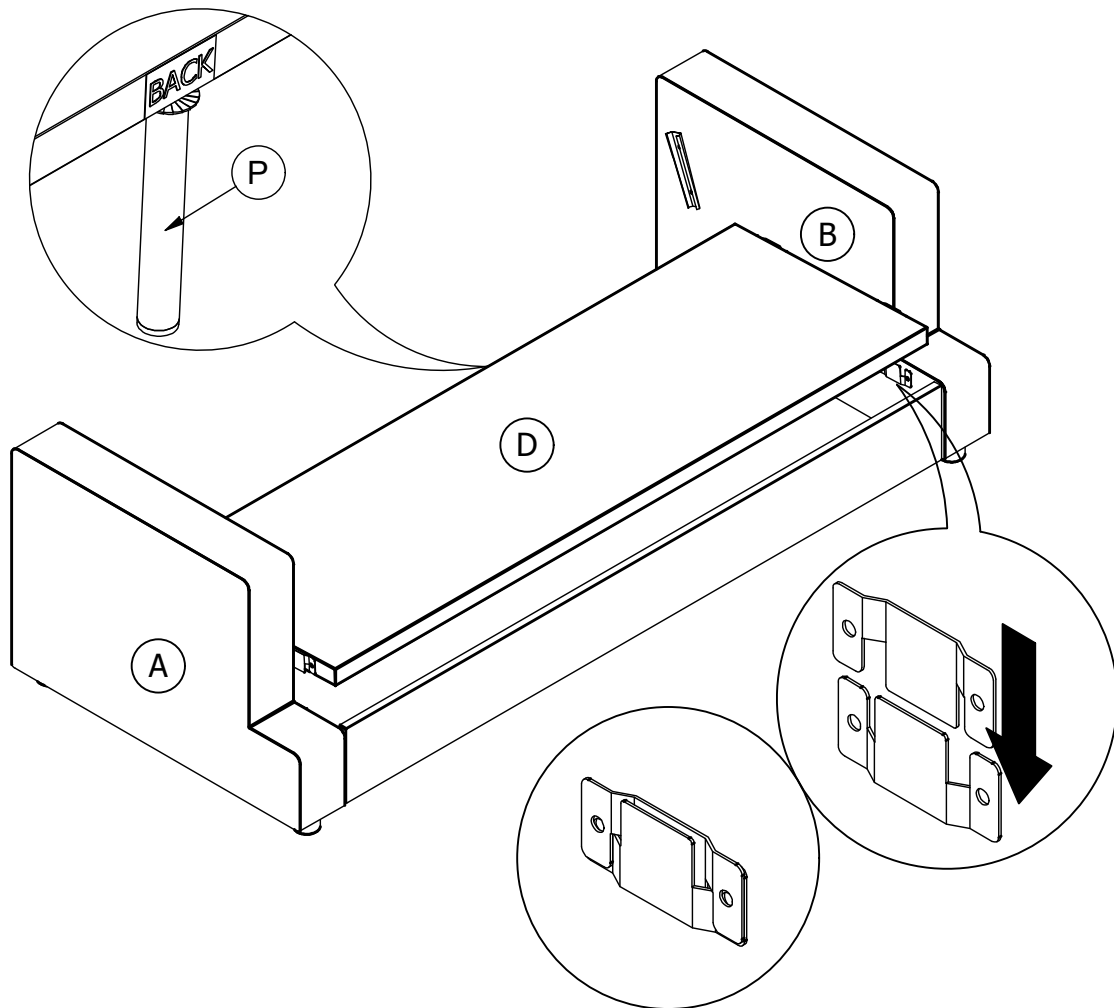


**STEP 3:** Manually screw **P** to **D**, as shown.



**STEP 4:**

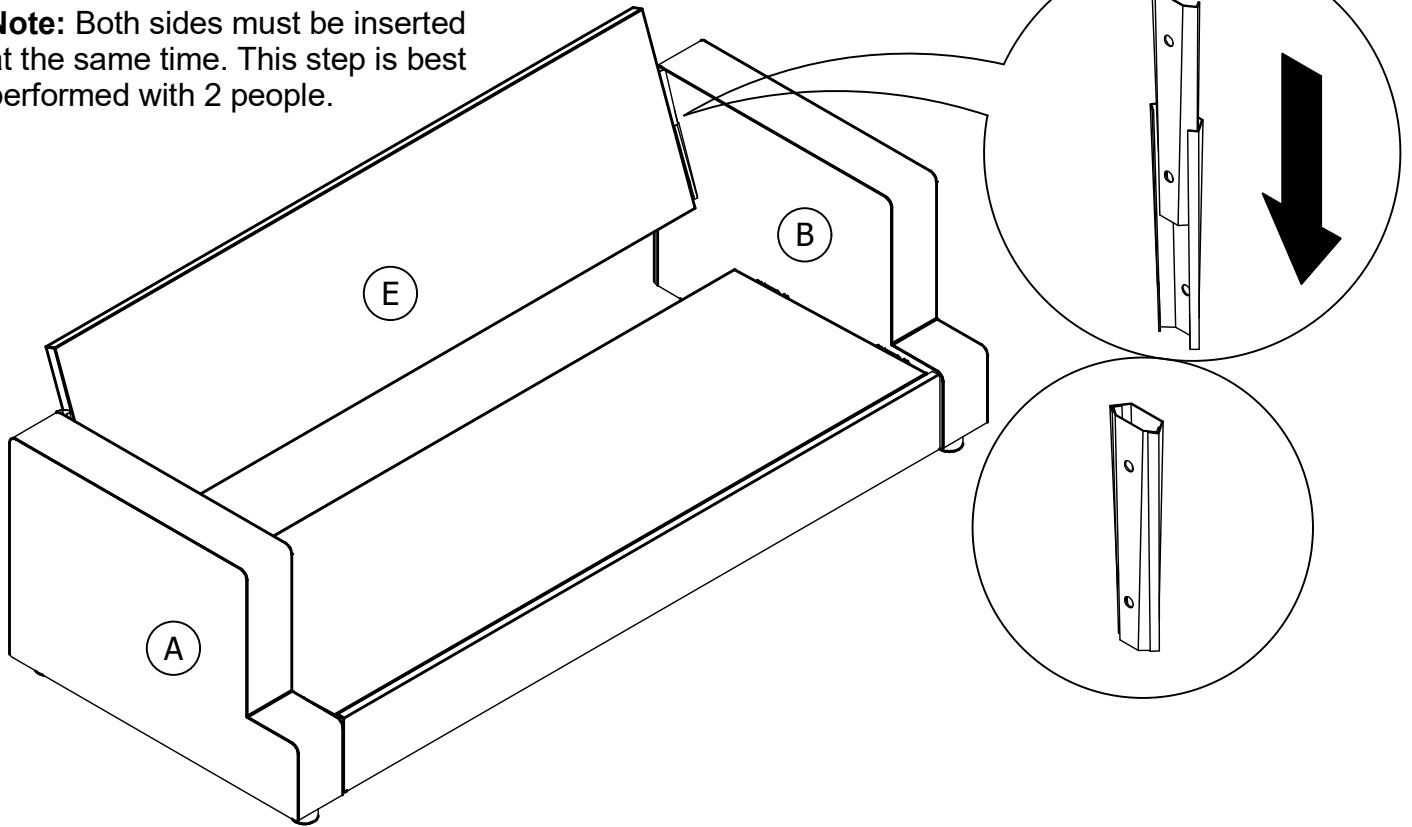
Attach **D** to **A** & **B** by inserting the metal brackets on **D** into the metal glides on **A** & **B**, as shown. Push **D** with a downward force to secure it into place.



**STEP 5:**

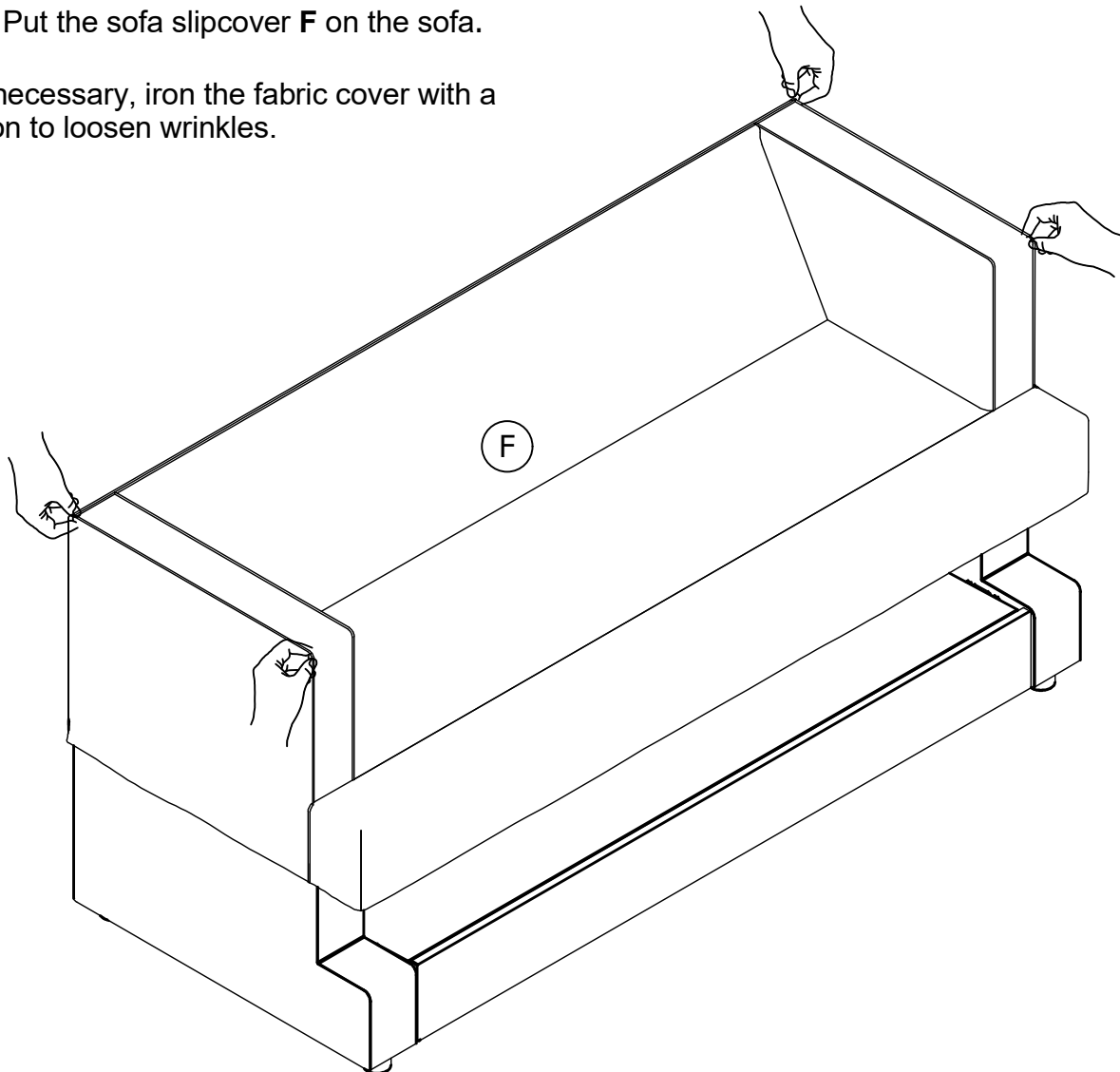
Attach **E** to **A** & **B** by inserting the brackets on **E** into the metal glides on **A** & **B**. Push **E** with a downward force to secure it into place.

**Note:** Both sides must be inserted at the same time. This step is best performed with 2 people.



**STEP 6:** Put the sofa slipcover **F** on the sofa.

**Note:** If necessary, iron the fabric cover with a steam iron to loosen wrinkles.

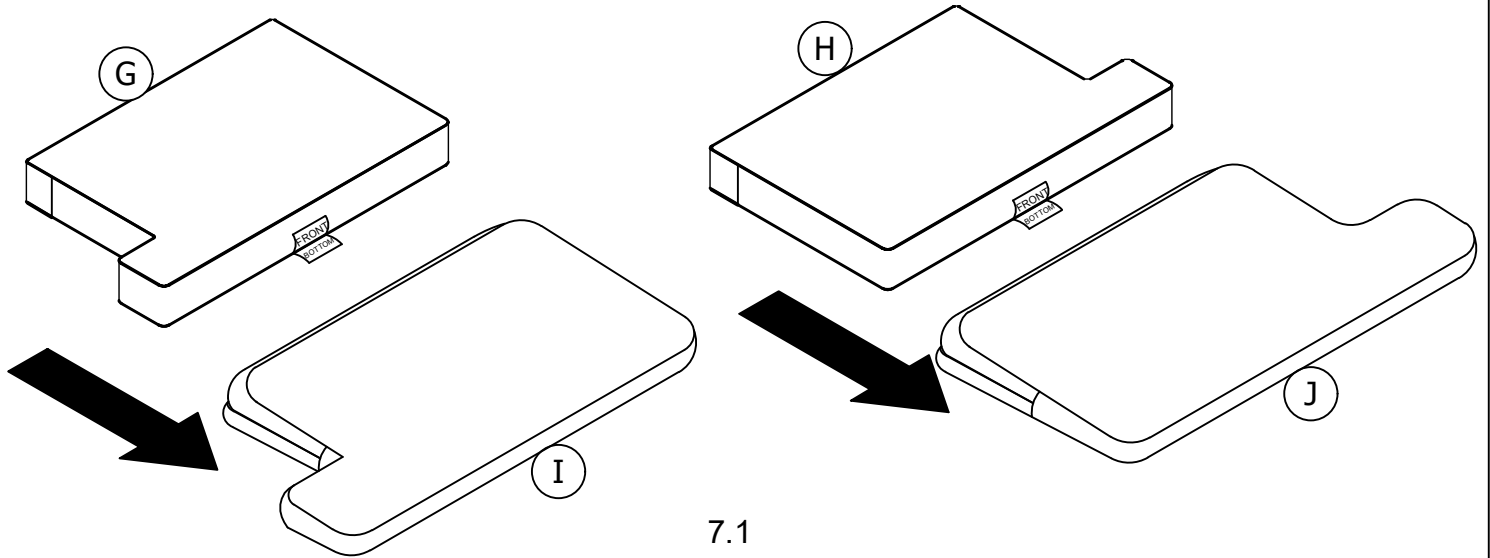


**Step 7:** Remove the cushions from their vacuum sealed package.

7.1 Open the zipper on **I** & **J** and insert **G** & **H** into **I** & **J** following the orientation as indicated in left view, close the zipper.

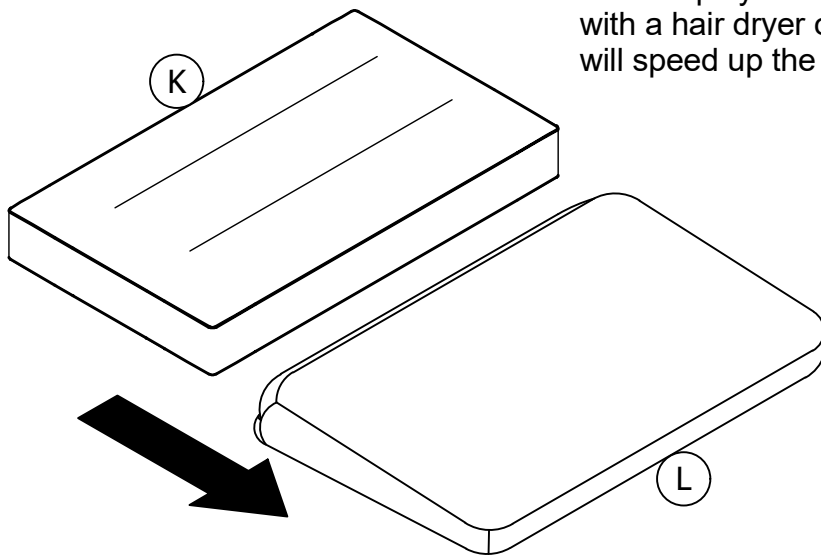
7.2 Open the zipper on **L** and insert **K** x 2 into **L** x 2, close the zipper.

7.3 Open the zipper on **N** and insert **M** x 2 into **N** x 2, close the zipper.

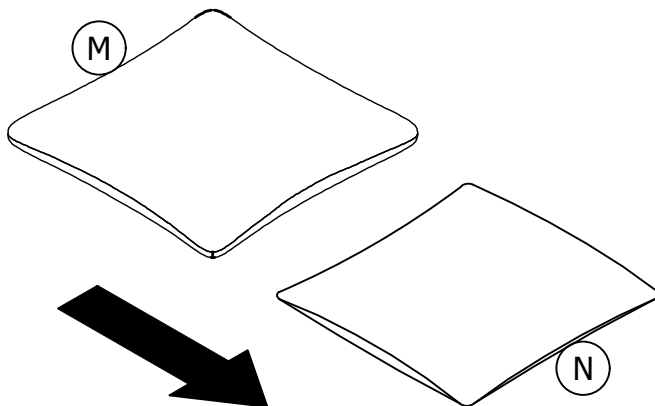


7.1

**NOTE:** If necessary, iron the fabric cover with a steam iron to loosen wrinkles. After unpacking all components, allow 72 hours for the compressed foam or polyester pillow fill to spring back. Blowing with a hair dryer or patting the mat with your hands will speed up the process.

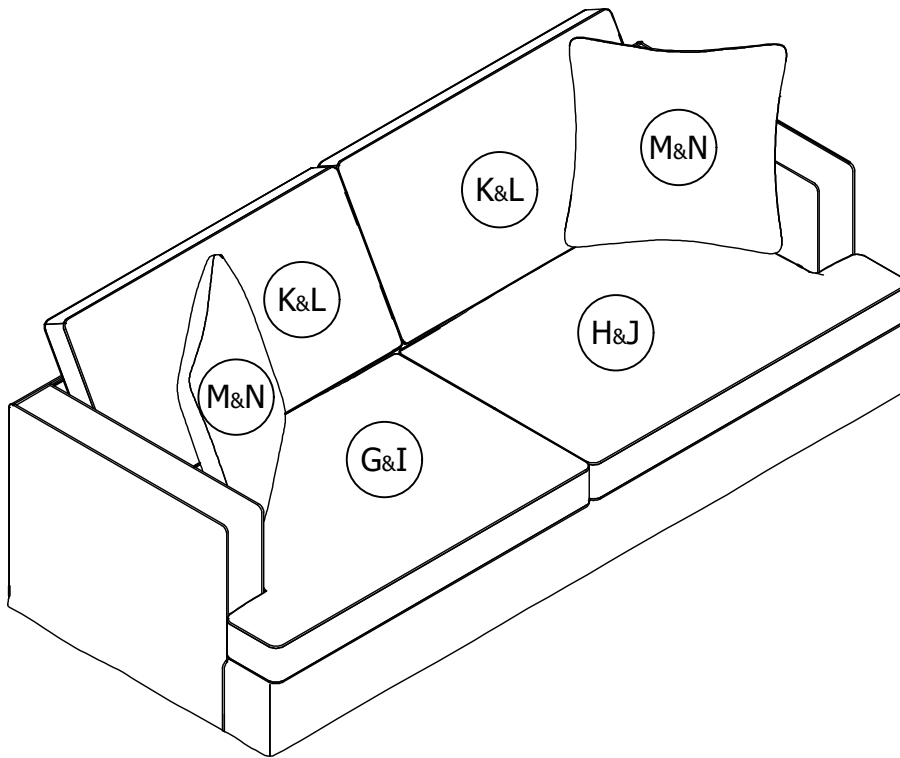


7.2



7.3

**Step 8:** Place ( G & I, H & J ), ( K & L ) x 2 and ( M & N ) x 2 onto the sofa.



## Helpful Hints

- Move your new furniture carefully, with two people lifting and carrying the unit to its new location.
- Your furniture can be disassembled and reassembled to move.
- Clean the product with a soft damp cloth. DO NOT use harsh chemicals or abrasive cleaners.
- For further information please contact at [sales4@jsanyee.com](mailto:sales4@jsanyee.com)

