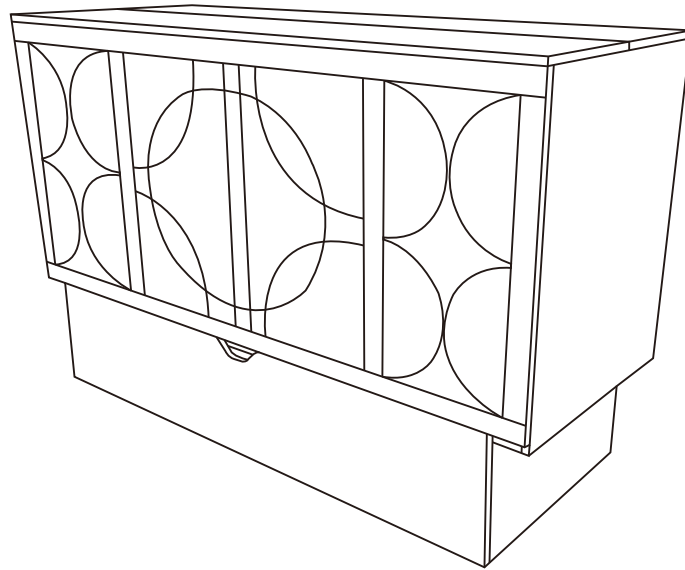


3 DOOR WARDROBE ASSEMBLY INSTRUCTIONS



IMPORTANT PLEASE READ BEFORE YOU CONTINUE FURTHER

THE PRODUCT YOU HAVE PURCHASED WILL GIVE YOU MANY YEARS OF SERVICE IF YOU FOLLOW THE GUIDELINES FOR ITS SAFE ASSEMBLY AND PERIODIC MAINTENANCE AND CLEANING.

ASSEMBLE ON A SOFT CLEAN SURFACE.

DO NOT USE ANY TOOLS OTHER THAN THOSE SHOWN.

ANY SPANNERS OR ALLEN KEYS REQUIRED ARE INCLUDED WITH THE FITTINGS KIT.

DO NOT FOR ANY REASON USE A POWER TOOL TO ASSEMBLE THIS PRODUCT. ITS USE WILL INVALIDATE ANY CLAIM YOU MAY HAVE AND COULD MAKE THIS PRODUCT UNSAFE.

DEPENDING ON THE AMOUNT OF USE THIS PRODUCT RECEIVES IT MAY BE NECESSARY TO TIGHTEN UP THE FIXINGS FROM TIME TO TIME. THIS IS COMPLETELY NORMAL FOR ANY FLAT PACK FURNITURE.
DO NOT OVERTIGHTEN FIXINGS.

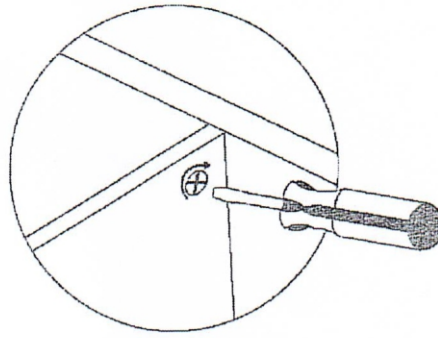
FOR CLEANING, YOU MAY USE A DAMP CLOTH (NOT WET).

THE SURFACE OF THIS ITEM IS NOT HEAT RESISTANT. ALWAYS USE A PLACE MAT UNDER HOT OR COLD ITEMS TO PREVENT MARKING.

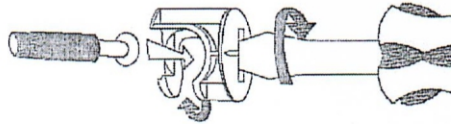


(Screwdriver not provided)

Use a flat blade screwdriver to tighten the cam nuts. A quarter turn clockwise is all that is needed.



This is how a cam nut works...



















The head of the bolt goes into the wide mouth of the cam nut. You then turn the nut so the narrow part closes over the bolt.

TWO PERSONS REQUIRED TO ASSEMBLE THIS PRODUCT

1. Please check that you have all the parts listed before you start assembling. If you do find that something is missing, do not continue assembly. Please contact your supplier immediately.
2. Lay out all of the components on a soft surface as if you were preparing to do a jigsaw puzzle.
3. Separate and identify each component from the hardware pack and rest each one in its proper location before fastening.
4. **DO NOT** set glue until you are certain that the parts belong together.

HARDWARE LIST

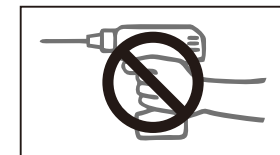
No.	PICTURE	QTY	No.	PICTURE	QTY	W1628P204973 W1628P204976
A	 SCREWDRIVER	1	I	 ECCENTRIC WHEEL	59	A*1
B	 SOCKET	1	J	 CONNECTOR	59	B*1
C	 HINGE	2	K	 3.5x16MM SCREW	99	C*2
D	 SNAP	2	L	 L-SHAPED FIXED CASTERS	4	D*2
E	 400MM SLIDE	2	M	 PULLEY	4	E*2
F	 450MM SLIDE	2	N	 SUPPORT ROD	2	F*2
G	 550MM SLIDE	2	O	 MAGNETIC LOCK BUCKLE	2	G*2
H	 WOODEN NAIL	45	P	 RIGHT ANGLE FIXATOR	2	H*45

W1628P204973
W1628P204976

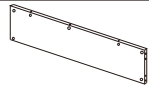



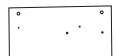

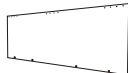

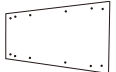








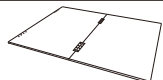
A*1
B*1
C*2
D*2
E*2
F*2
G*2
H*45
I*59
J*59
K*99
L*4
M*4
N*2
O*2
P*2

WE STRONGLY RECOMMEND THAT YOU DO NOT USE POWER TOOLS DURING ASSEMBLY. POWER TOOLS CAN OVERTIGHTEN AND DAMAGE COMPONENTS OR MAKE THE PRODUCT UNSAFE. ANY DAMAGES DUE TO THE USE OF POWER TOOLS ARE AT THE CUSTOMER'S OWN RISK AND WILL NOT BE ACCEPTED BACK BY THE SUPPLIER.

WE RECOMMEND YOU USE THE TOOL PROVIDED IN YOUR ASSEMBLY KIT.

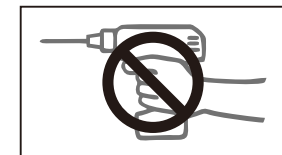


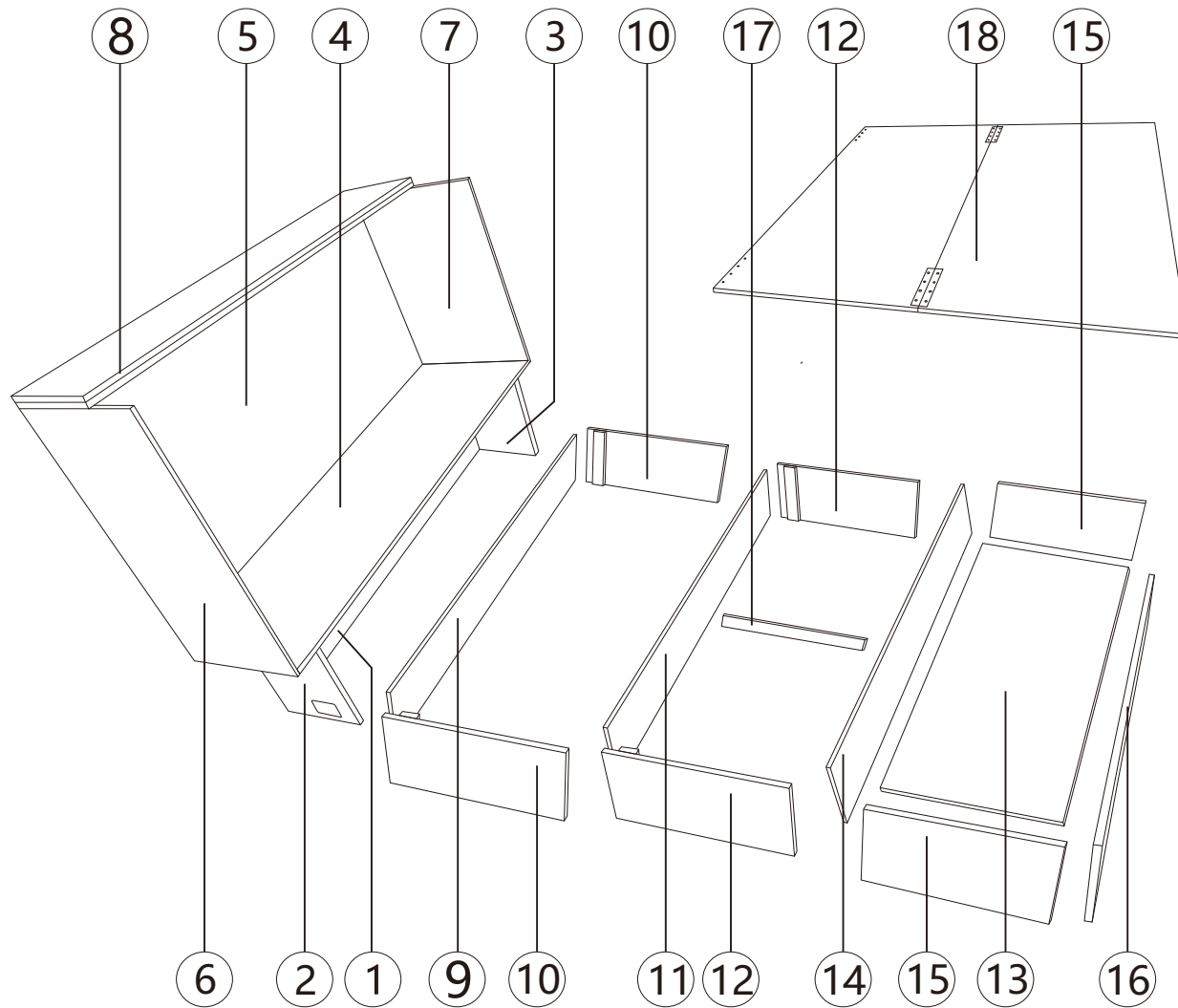
PARTS LIST

No.	PICTURE	QTY	No.	PICTURE	QTY	W1628P204973 W1628P204976	
1		1	10		2	1*1	11*1
2		1	11		1	2*1	12*2
3		1	12		2	3*1	13*1
4		1	13		1	6*1	14*1
5		1	14		1	7*1	15*2
6		1	15		2	8*1	16*1
7		1	16		1	9*1	17*1
8		1	17		1	10*2	
9		1	18		1	W1628P204974 W1628P204977	
						4*1	
						5*1	
						18*1	

WE STRONGLY RECOMMEND THAT YOU DO NOT USE POWER TOOLS DURING ASSEMBLY. POWER TOOLS CAN OVERTIGHTEN AND DAMAGE COMPONENTS OR MAKE THE PRODUCT UNSAFE. ANY DAMAGES DUE TO THE USE OF POWER TOOLS ARE AT THE CUSTOMER'S OWN RISK AND WILL NOT BE ACCEPTED BACK BY THE SUPPLIER.

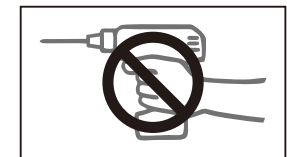
WE RECOMMEND YOU USE THE TOOL PROVIDED IN YOUR ASSEMBLY KIT.







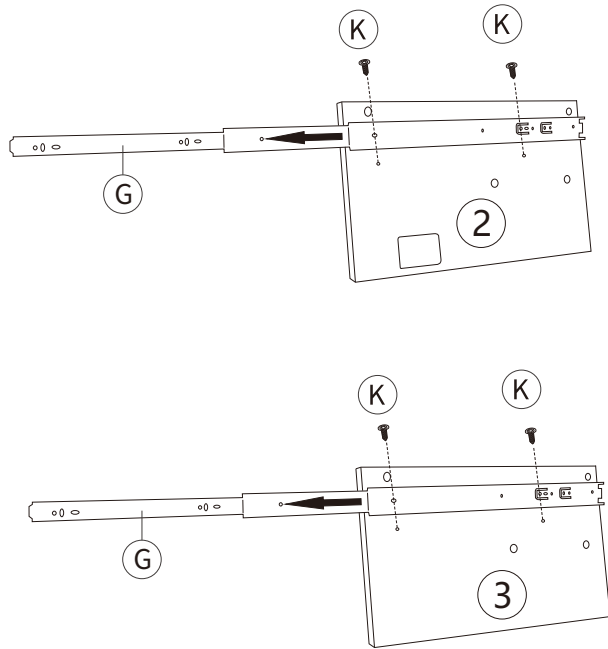
WE STRONGLY RECOMMEND THAT YOU DO NOT USE POWER TOOLS DURING ASSEMBLY. POWER TOOLS CAN OVERTIGHTEN AND DAMAGE COMPONENTS OR MAKE THE PRODUCT UNSAFE. ANY DAMAGES DUE TO THE USE OF POWER TOOLS ARE AT THE CUSTOMER'S OWN RISK AND WILL NOT BE ACCEPTED BACK BY THE SUPPLIER.

WE RECOMMEND YOU USE THE TOOL PROVIDED IN YOUR ASSEMBLY KIT.

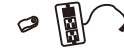



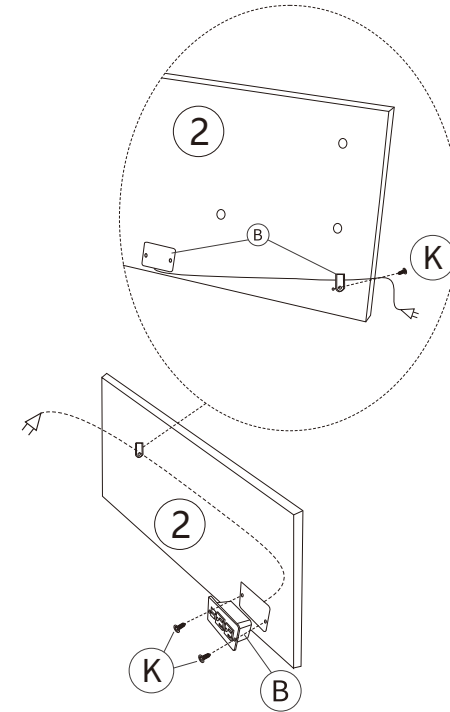
STEP 1

G	 (550mm)	2PCS
K	 (3.5x16mm)	4PCS

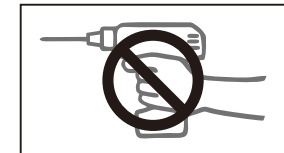


STEP 2




B		1PCS
K	 (3.5x16mm)	3PCS

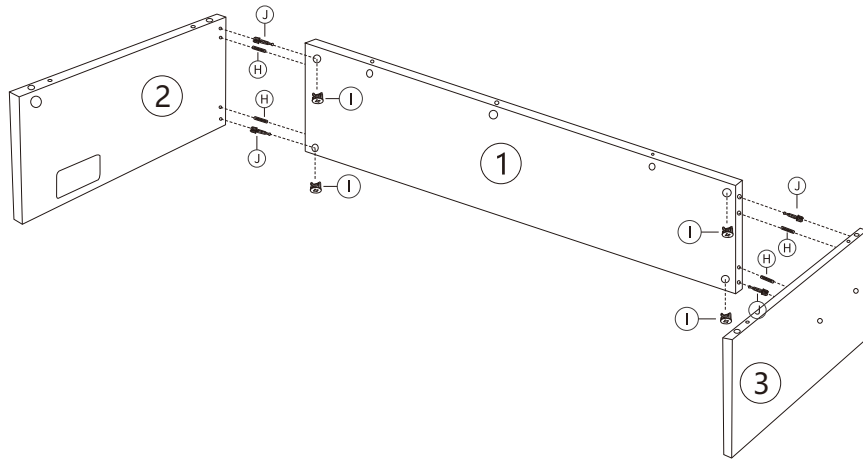


WE STRONGLY RECOMMEND THAT YOU DO NOT USE POWER TOOLS DURING ASSEMBLY. POWER TOOLS CAN OVERTIGHTEN AND DAMAGE COMPONENTS OR MAKE THE PRODUCT UNSAFE. ANY DAMAGES DUE TO THE USE OF POWER TOOLS ARE AT THE CUSTOMER'S OWN RISK AND WILL NOT BE ACCEPTED BACK BY THE SUPPLIER. WE RECOMMEND YOU USE THE TOOL PROVIDED IN YOUR ASSEMBLY KIT.








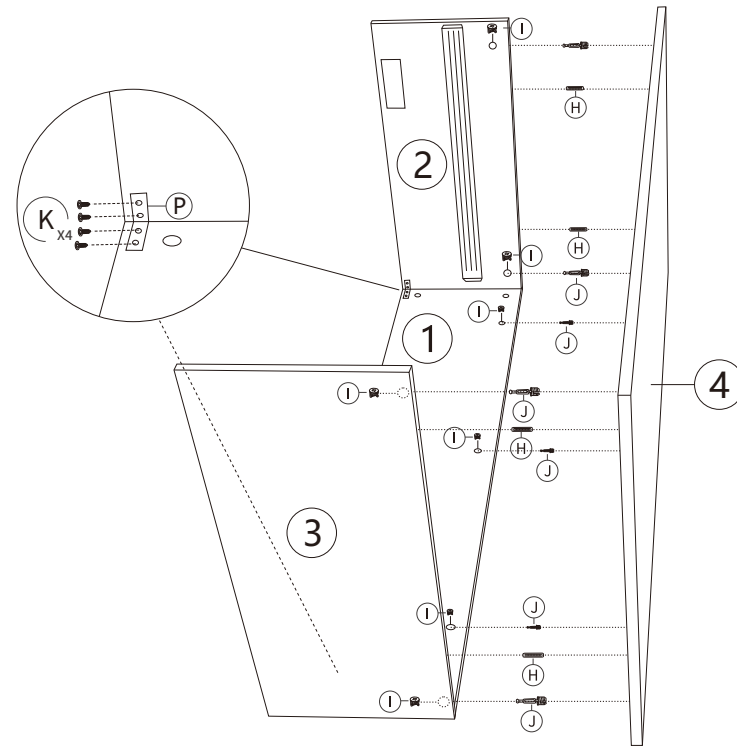
STEP 3

I		4PCS
J		4PCS
H		4PCS



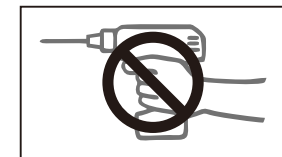
STEP 4

I		7PCS
J		7PCS
H		4PCS
K	 (3.5x16mm)	8PCS
P		2PCS



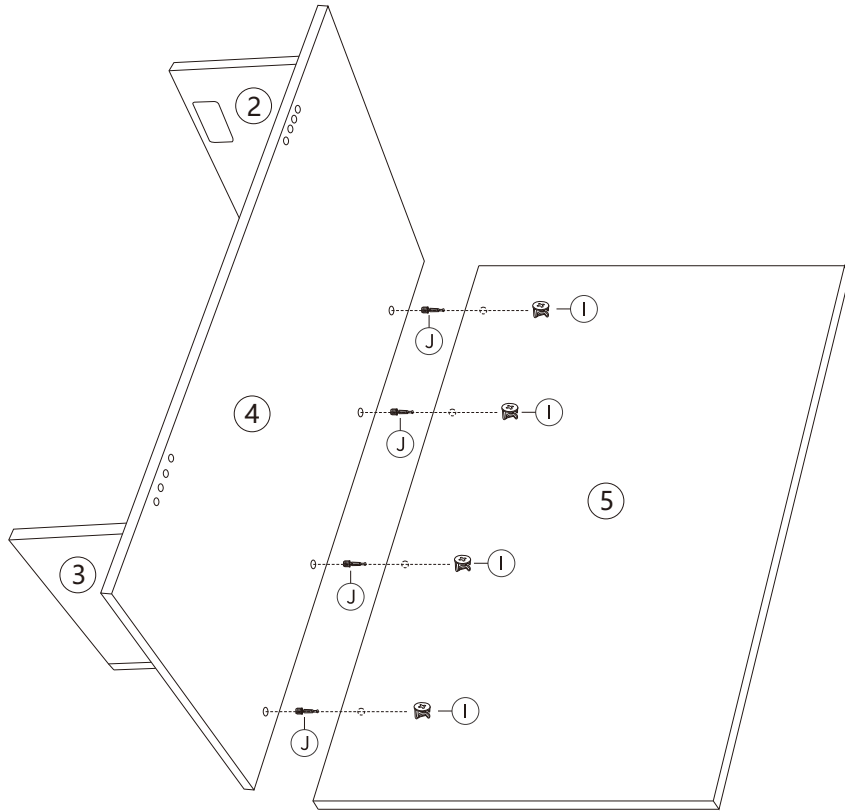
WE STRONGLY RECOMMEND THAT YOU DO NOT USE POWER TOOLS DURING ASSEMBLY. POWER TOOLS CAN OVERTIGHTEN AND DAMAGE COMPONENTS OR MAKE THE PRODUCT UNSAFE. ANY DAMAGES DUE TO THE USE OF POWER TOOLS ARE AT THE CUSTOMER'S OWN RISK AND WILL NOT BE ACCEPTED BACK BY THE SUPPLIER.

WE RECOMMEND YOU USE THE TOOL PROVIDED IN YOUR ASSEMBLY KIT.






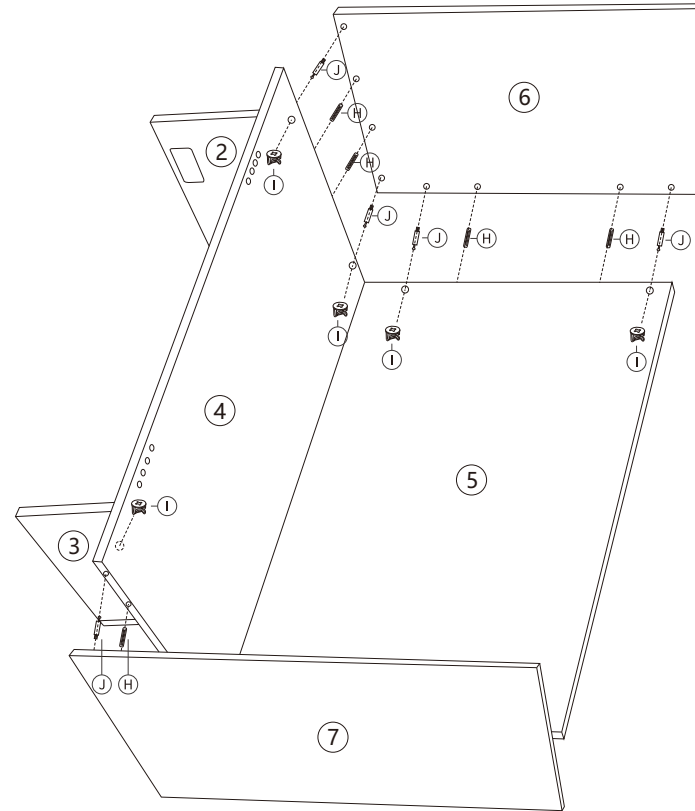
STEP 5

I		4PCS
J		4PCS



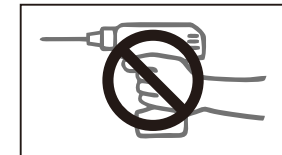
STEP 6

I		8PCS
J		8PCS
H		8PCS






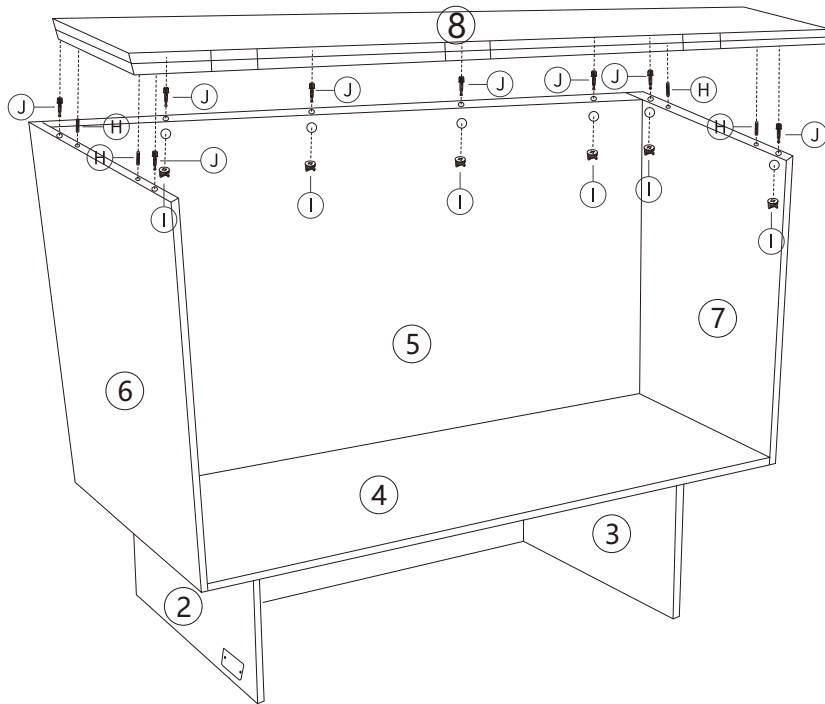
WE STRONGLY RECOMMEND THAT YOU DO NOT USE POWER TOOLS DURING ASSEMBLY. POWER TOOLS CAN OVERTIGHTEN AND DAMAGE COMPONENTS OR MAKE THE PRODUCT UNSAFE. ANY DAMAGES DUE TO THE USE OF POWER TOOLS ARE AT THE CUSTOMER'S OWN RISK AND WILL NOT BE ACCEPTED BACK BY THE SUPPLIER.

WE RECOMMEND YOU USE THE TOOL PROVIDED IN YOUR ASSEMBLY KIT.








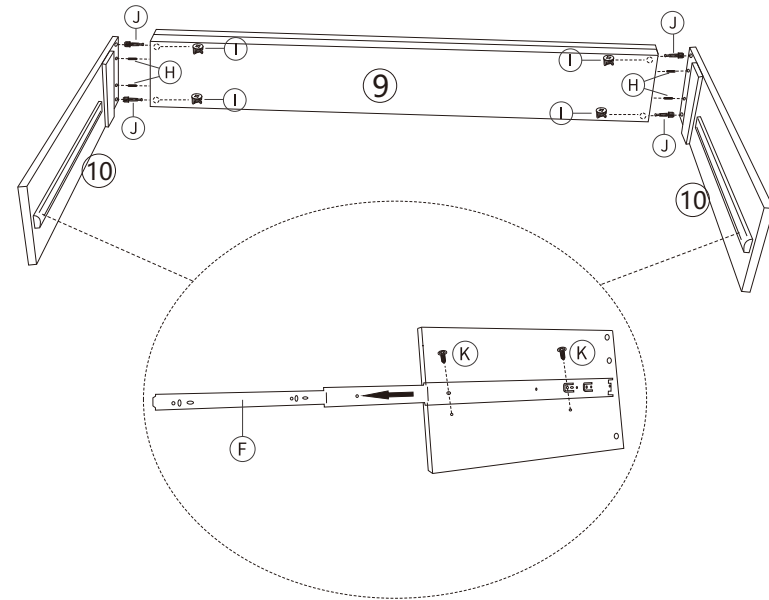
STEP 7

I		8PCS
J		8PCS
H		4PCS



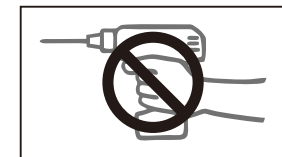
STEP 8

I		4PCS
J		4PCS
H		4PCS
F	 (450mm)	2PCS
K	 (3.5x16mm)	4PCS








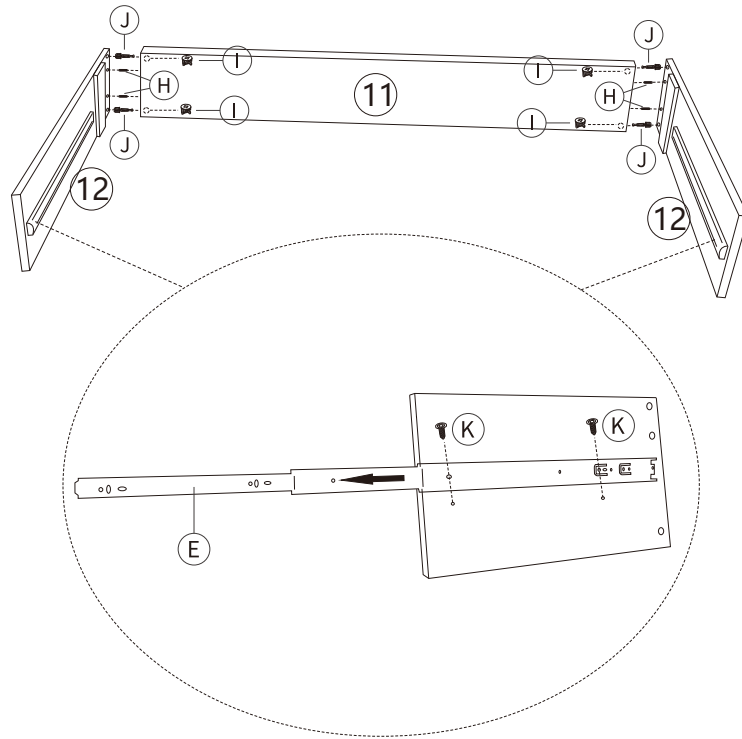
WE STRONGLY RECOMMEND THAT YOU DO NOT USE POWER TOOLS DURING ASSEMBLY. POWER TOOLS CAN OVERTIGHTEN AND DAMAGE COMPONENTS OR MAKE THE PRODUCT UNSAFE. ANY DAMAGES DUE TO THE USE OF POWER TOOLS ARE AT THE CUSTOMER'S OWN RISK AND WILL NOT BE ACCEPTED BACK BY THE SUPPLIER.

WE RECOMMEND YOU USE THE TOOL PROVIDED IN YOUR ASSEMBLY KIT.





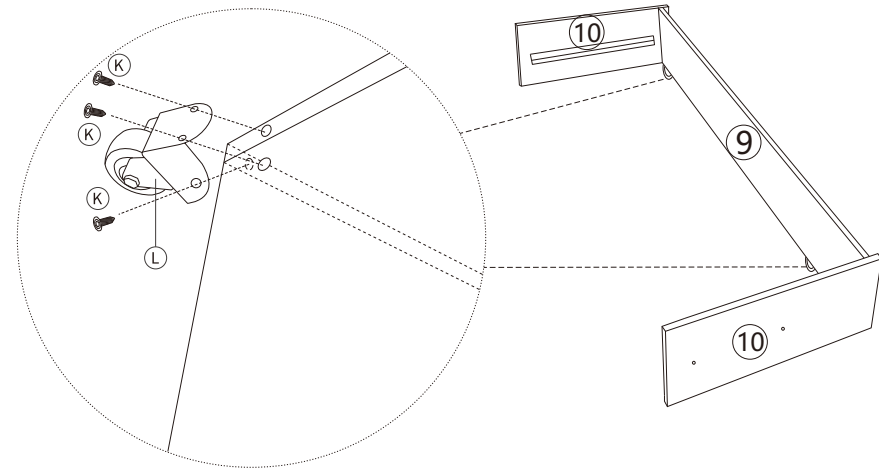
STEP 9

I		4PCS
J		4PCS
H		4PCS
E	 (400mm)	2PCS
K	 (3.5x16mm)	4PCS



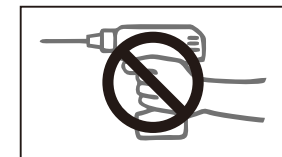
STEP 10

L		2PCS
K	 (3.5x16mm)	6PCS



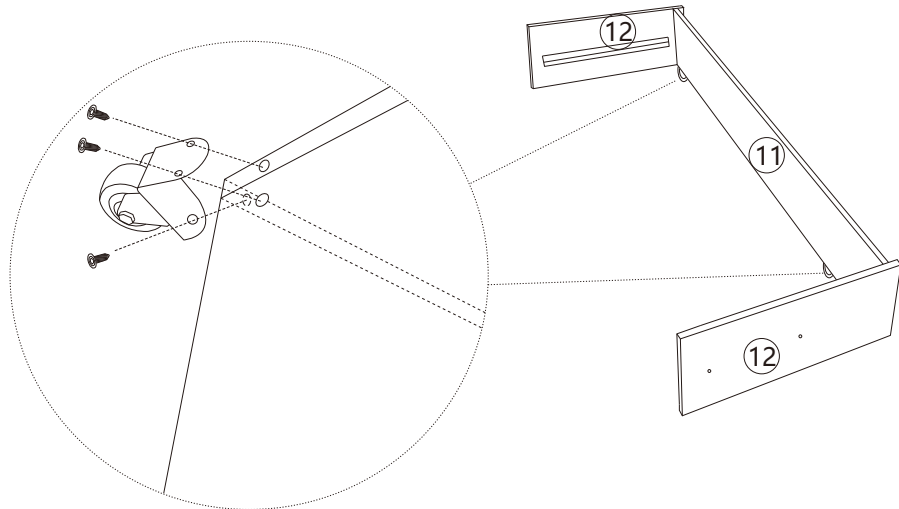
WE STRONGLY RECOMMEND THAT YOU DO NOT USE POWER TOOLS DURING ASSEMBLY. POWER TOOLS CAN OVERTIGHTEN AND DAMAGE COMPONENTS OR MAKE THE PRODUCT UNSAFE. ANY DAMAGES DUE TO THE USE OF POWER TOOLS ARE AT THE CUSTOMER'S OWN RISK AND WILL NOT BE ACCEPTED BACK BY THE SUPPLIER.

WE RECOMMEND YOU USE THE TOOL PROVIDED IN YOUR ASSEMBLY KIT.



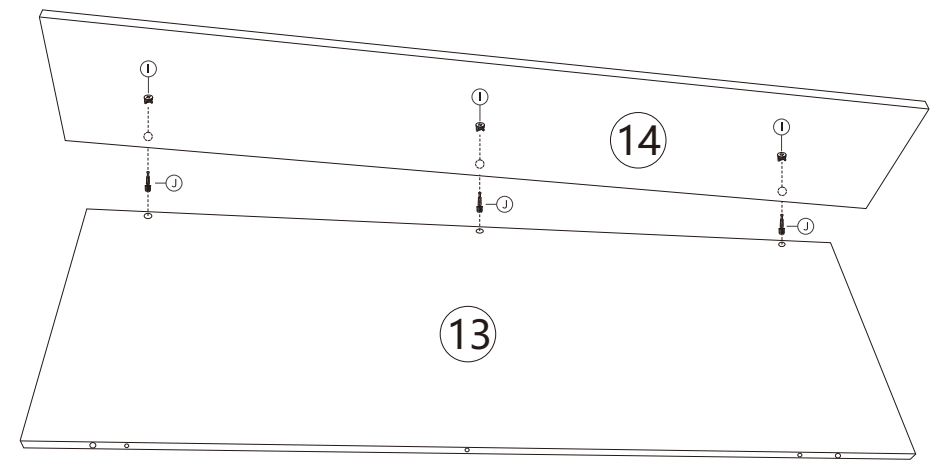
STEP 11

L		2PCS
K	 (3.5x16mm)	6PCS



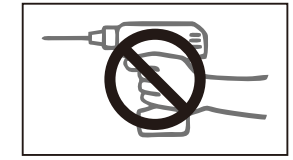
STEP 12

I		3PCS
J		3PCS






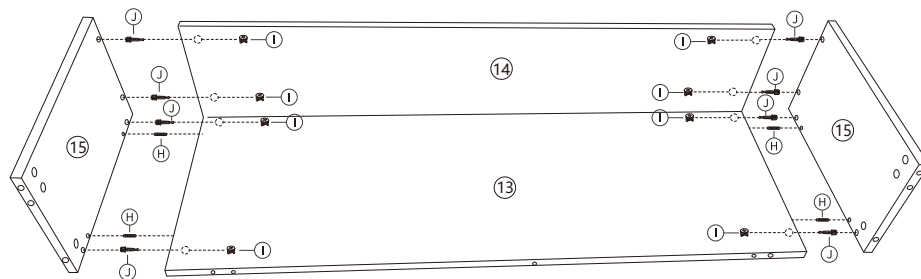
WE STRONGLY RECOMMEND THAT YOU DO NOT USE POWER TOOLS DURING ASSEMBLY. POWER TOOLS CAN OVERTIGHTEN AND DAMAGE COMPONENTS OR MAKE THE PRODUCT UNSAFE. ANY DAMAGES DUE TO THE USE OF POWER TOOLS ARE AT THE CUSTOMER'S OWN RISK AND WILL NOT BE ACCEPTED BACK BY THE SUPPLIER.

WE RECOMMEND YOU USE THE TOOL PROVIDED IN YOUR ASSEMBLY KIT.





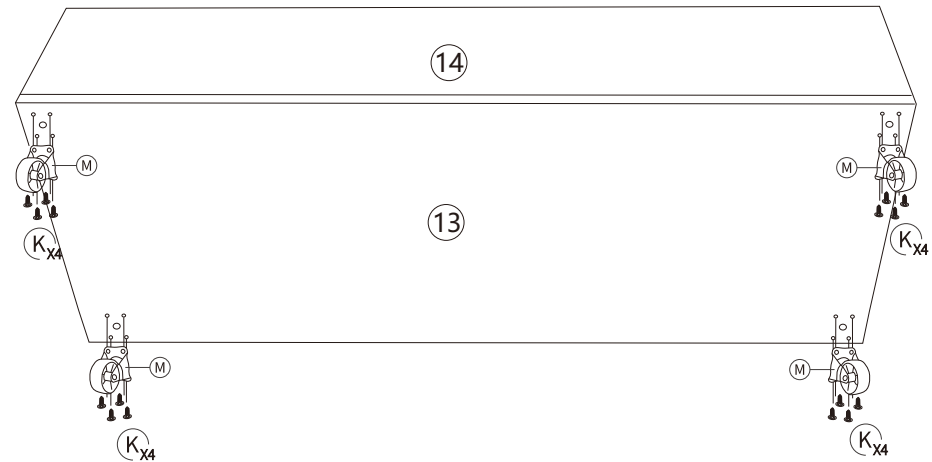
STEP 13

I		8PCS
J		8PCS
H		4PCS



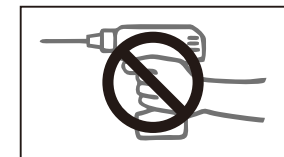
STEP 14

M		4PCS
K	 (3.5x16mm)	16PCS






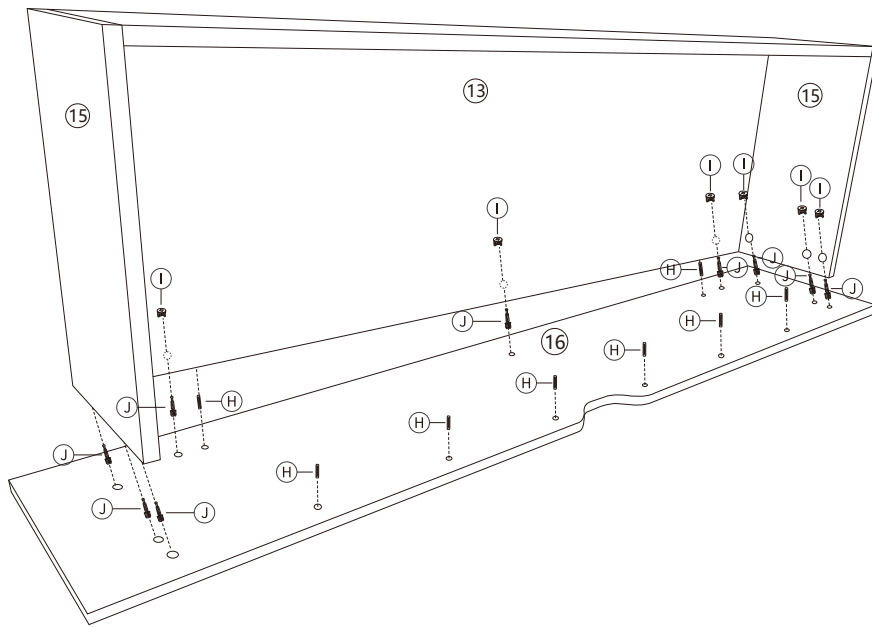
WE STRONGLY RECOMMEND THAT YOU DO NOT USE POWER TOOLS DURING ASSEMBLY. POWER TOOLS CAN OVERTIGHTEN AND DAMAGE COMPONENTS OR MAKE THE PRODUCT UNSAFE. ANY DAMAGES DUE TO THE USE OF POWER TOOLS ARE AT THE CUSTOMER'S OWN RISK AND WILL NOT BE ACCEPTED BACK BY THE SUPPLIER.

WE RECOMMEND YOU USE THE TOOL PROVIDED IN YOUR ASSEMBLY KIT.



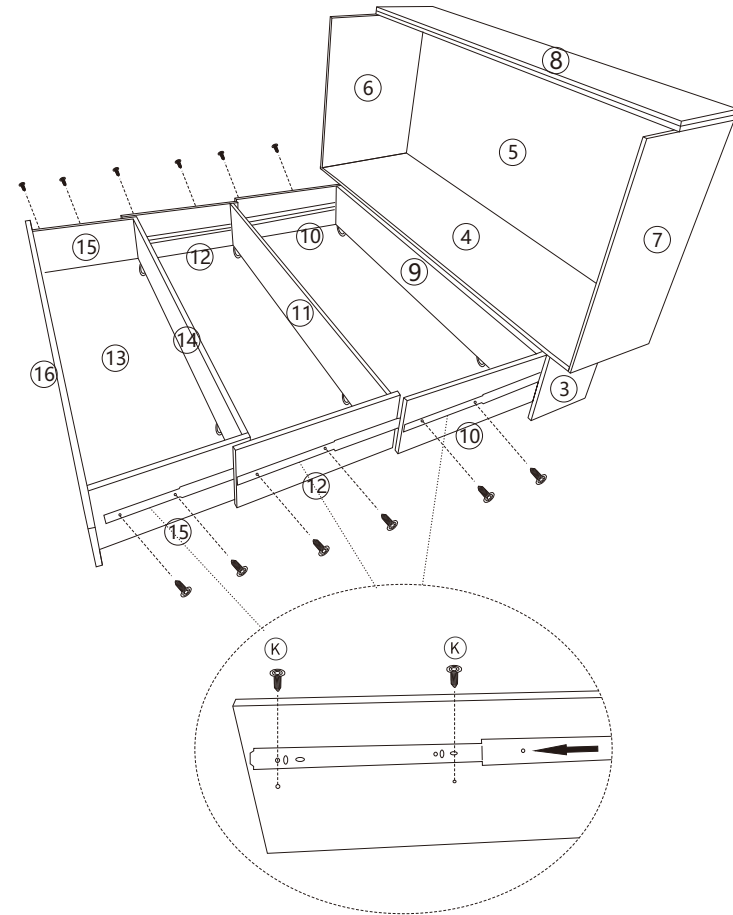
STEP 15

I		9PCS
J		9PCS
H		8PCS



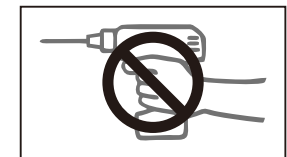
STEP 16

K		(3.5x16mm)	12PCS
---	-------------------------------------------------------------------------------------	------------	-------

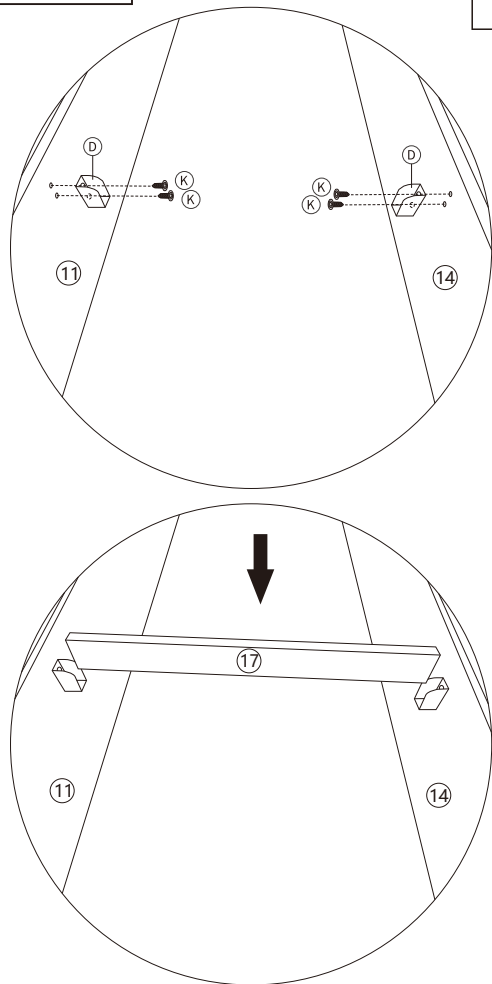




WE STRONGLY RECOMMEND THAT YOU DO NOT USE POWER TOOLS DURING ASSEMBLY. POWER TOOLS CAN OVERTIGHTEN AND DAMAGE COMPONENTS OR MAKE THE PRODUCT UNSAFE. ANY DAMAGES DUE TO THE USE OF POWER TOOLS ARE AT THE CUSTOMER'S OWN RISK AND WILL NOT BE ACCEPTED BACK BY THE SUPPLIER.

WE RECOMMEND YOU USE THE TOOL PROVIDED IN YOUR ASSEMBLY KIT.

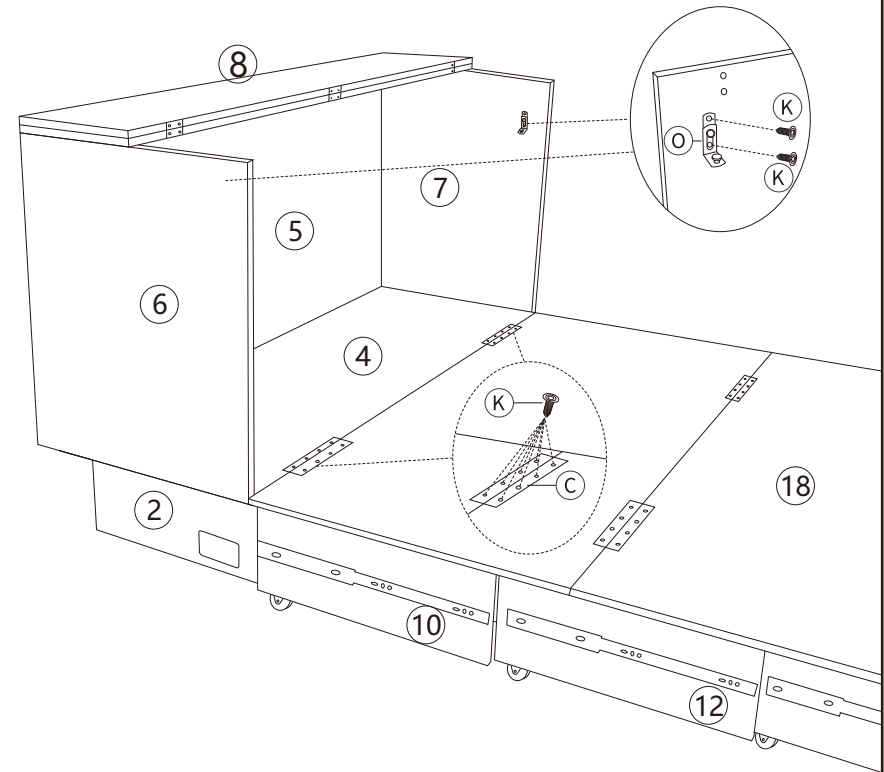





STEP 17



D		2PCS
K	 (3.5x16mm)	4PCS

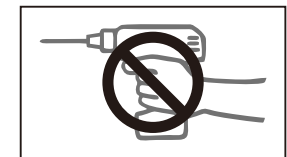
STEP 18





O		2PCS
C		2PCS
K	 (3.5x16mm)	20PCS

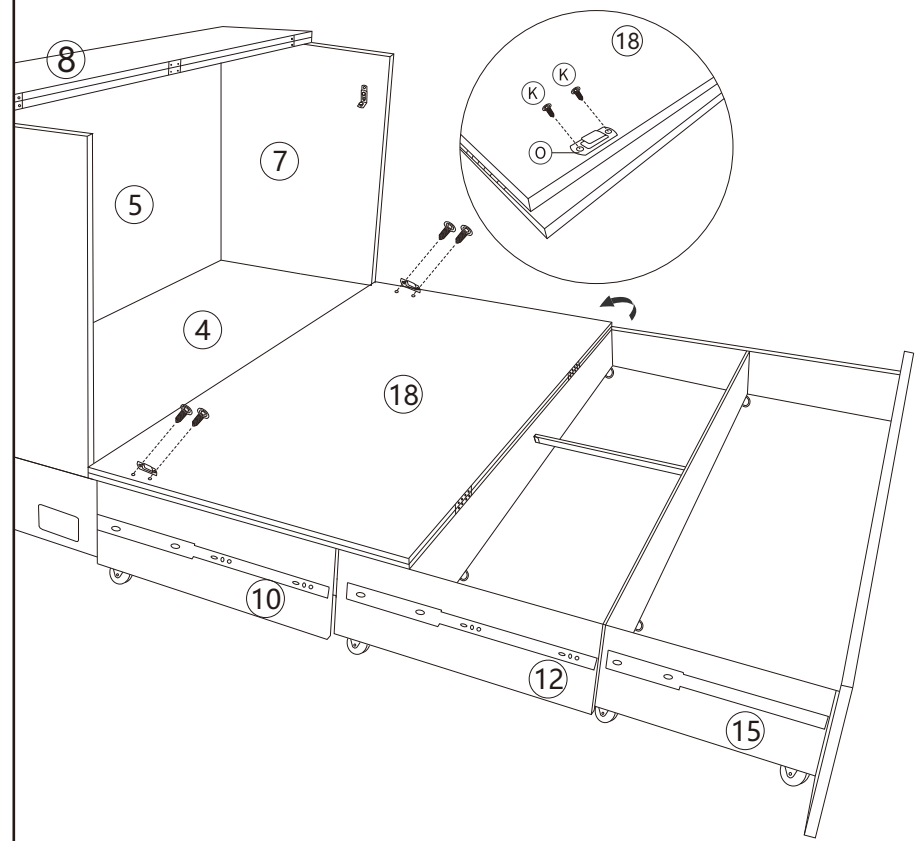
WE STRONGLY RECOMMEND THAT YOU DO NOT USE POWER TOOLS DURING ASSEMBLY. POWER TOOLS CAN OVERTIGHTEN AND DAMAGE COMPONENTS OR MAKE THE PRODUCT UNSAFE. ANY DAMAGES DUE TO THE USE OF POWER TOOLS ARE AT THE CUSTOMER'S OWN RISK AND WILL NOT BE ACCEPTED BACK BY THE SUPPLIER.

WE RECOMMEND YOU USE THE TOOL PROVIDED IN YOUR ASSEMBLY KIT.





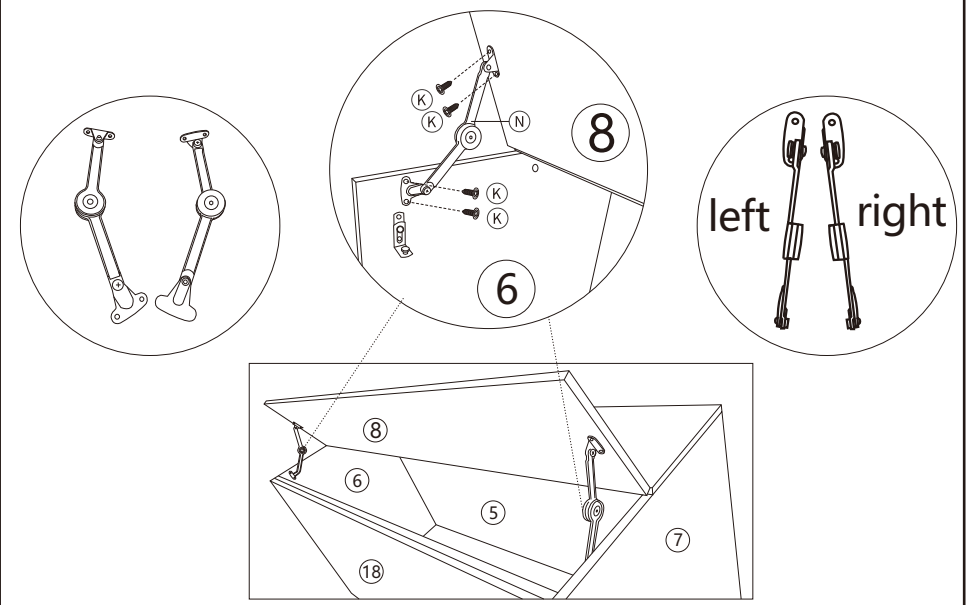
STEP 19

O		2PCS
K	 (3.5x16mm)	4PCS

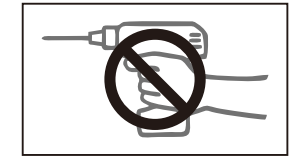


STEP 20

N		2PCS
K	 (3.5x16mm)	8PCS

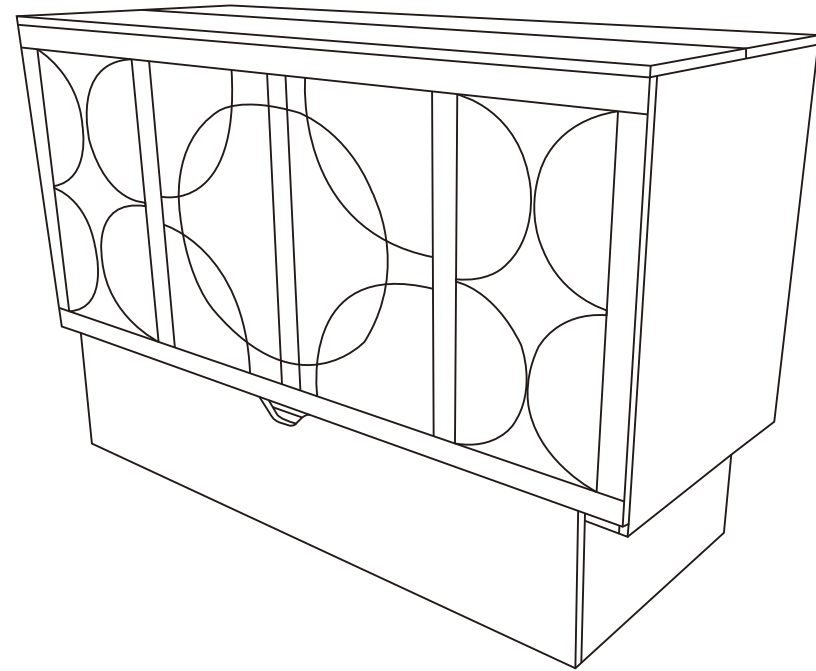
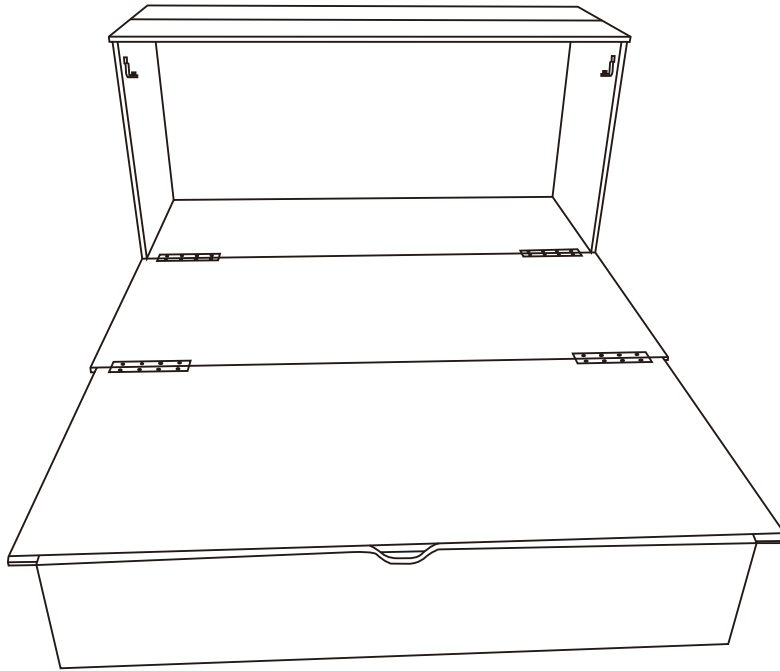


WE STRONGLY RECOMMEND THAT YOU DO NOT USE POWER TOOLS DURING ASSEMBLY. POWER TOOLS CAN OVERTIGHTEN AND DAMAGE COMPONENTS OR MAKE THE PRODUCT UNSAFE. ANY DAMAGES DUE TO THE USE OF POWER TOOLS ARE AT THE CUSTOMER'S OWN RISK AND WILL NOT BE ACCEPTED BACK BY THE SUPPLIER. WE RECOMMEND YOU USE THE TOOL PROVIDED IN YOUR ASSEMBLY KIT.



STEP 21

INSTALLATION IS COMPLETE



WE STRONGLY RECOMMEND THAT YOU DO NOT USE POWER TOOLS DURING ASSEMBLY. POWER TOOLS CAN OVERTIGHTEN AND DAMAGE COMPONENTS OR MAKE THE PRODUCT UNSAFE. ANY DAMAGES DUE TO THE USE OF POWER TOOLS ARE AT THE CUSTOMER'S OWN RISK AND WILL NOT BE ACCEPTED BACK BY THE SUPPLIER.

WE RECOMMEND YOU USE THE TOOL PROVIDED IN YOUR ASSEMBLY KIT.

