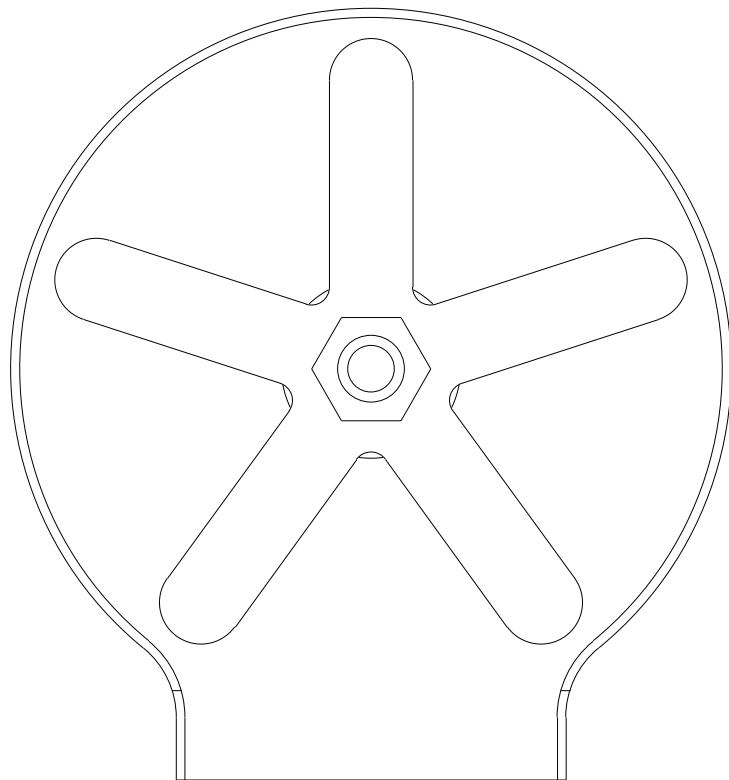


Installation Manual

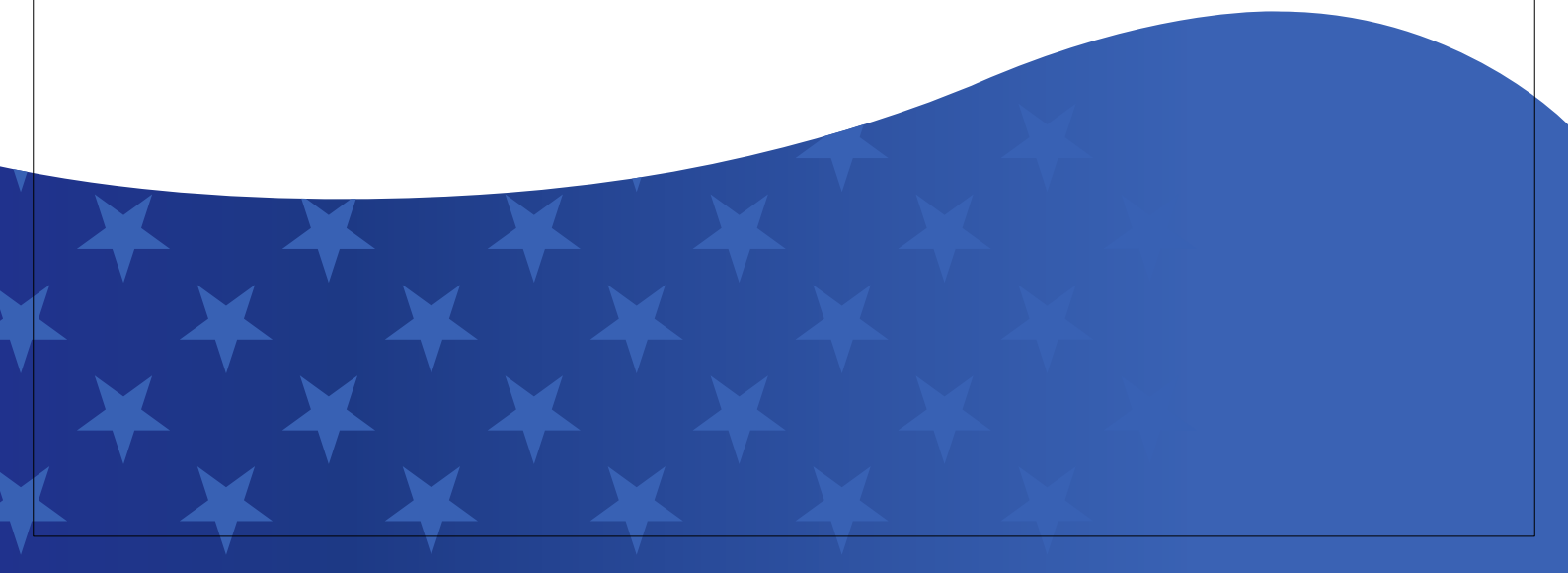


1237 SERIES

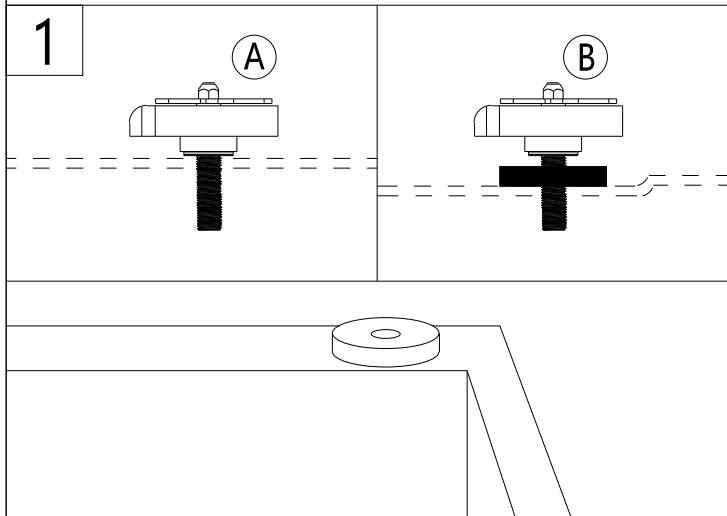
Kitchen Sink Glass Rinser

INDEX

1. Installation Guide	P01-P02
-----------------------------	---------

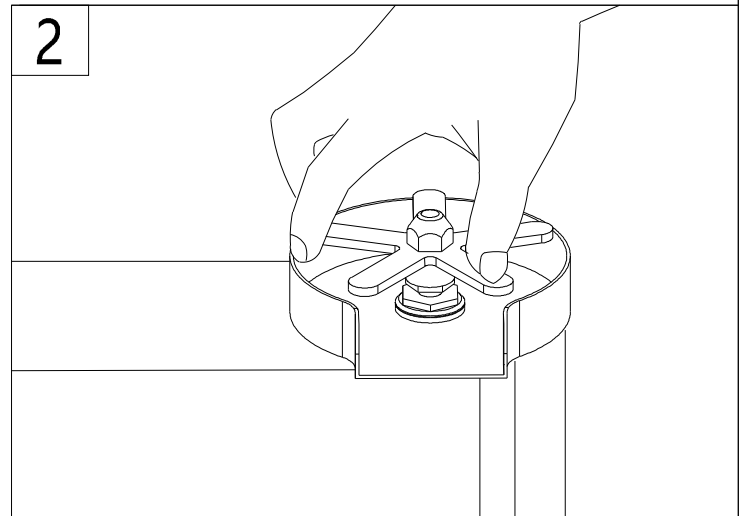


Please read the following steps carefully before installing the product.
Warning: Turn off the hot and cold water supply switch before installation.



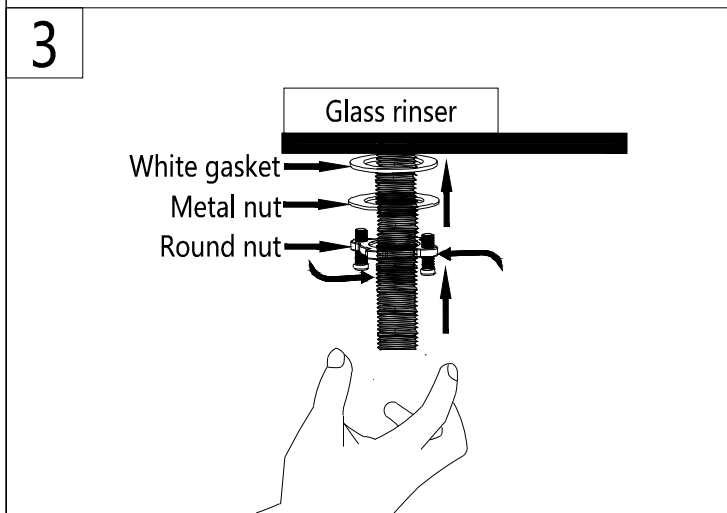
A. IF the sink is level with the countertop, you can decide to remove the plastic spacer or not, depending on your preference.

B. For cases where there is a height difference between the sink and the countertop, you need to align the short side of the plastic spacer with the direction of the tray and then proceed to the next installation step.



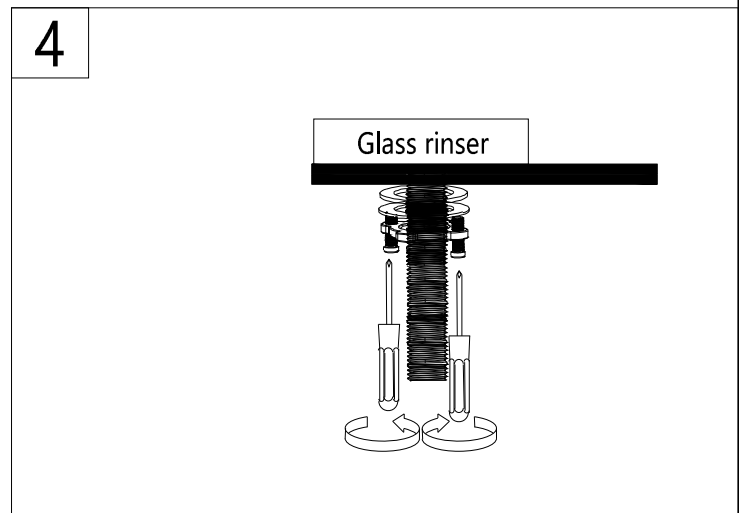
A. Put the base on the sink hole.

B. Put the base on the plastic spacer.



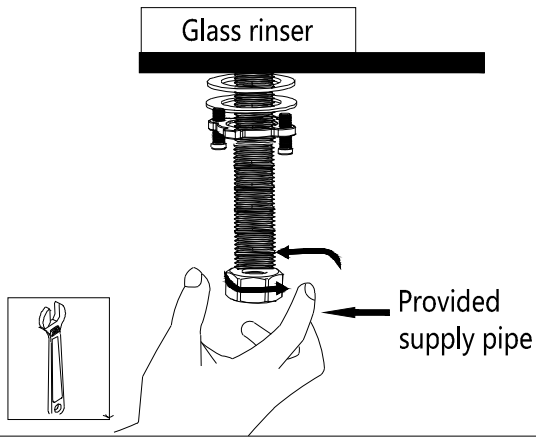
Put the white gasket and metal nut onto the shank.

Screw the round nut onto the shank, and tighten.



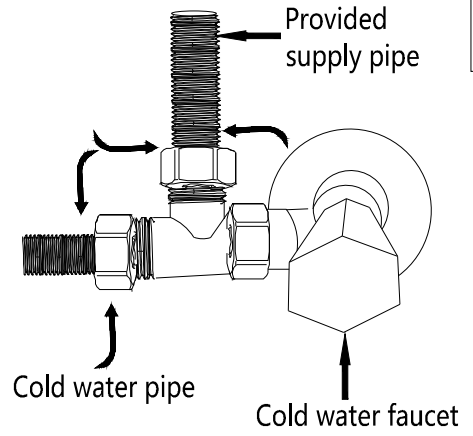
Screw the fastening nut with a screwdriver.

5



Screw the 1/2 end of provided supply pipe to the mounting shank with a wrench.

6



Unscrew the cold water supply port and connect the tee to the cold water supply port, then connect the tap supply tube and the glass rinser supply tube to the tee and tighten.

