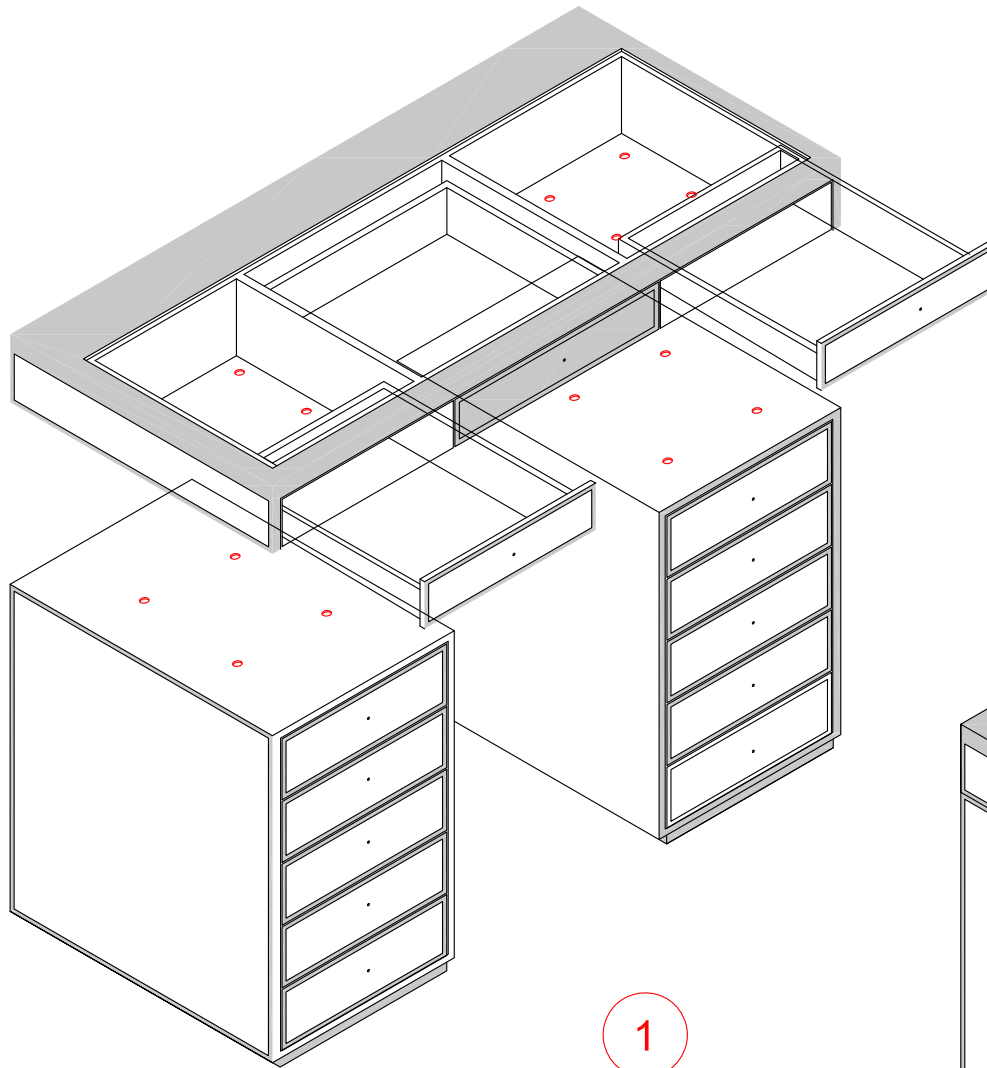
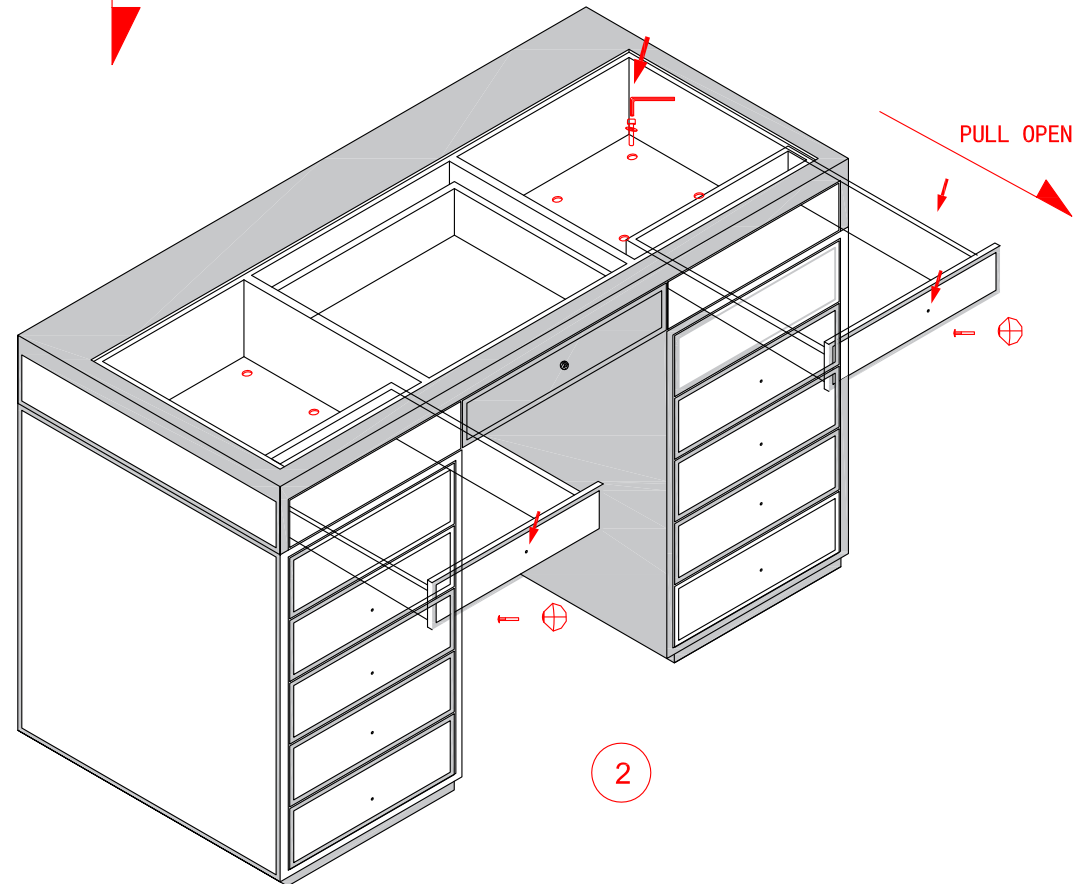


# Installation Instructions



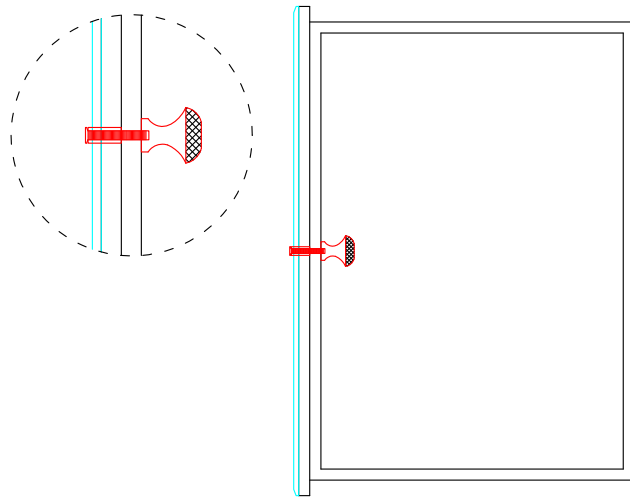
1pc

8pcs



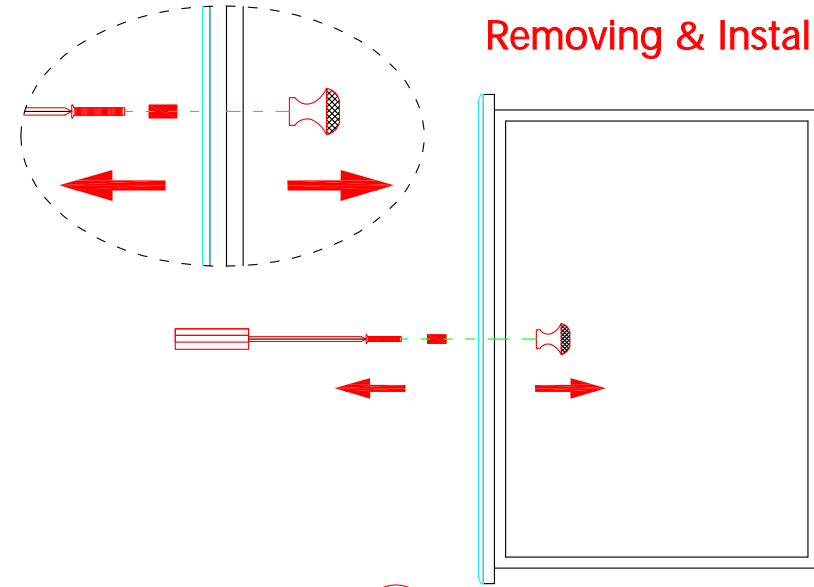
# Installation Instructions

Upon Receiving Your Package: The pulls are placed inside the drawer.  
Accessing the Pulls: Open the drawer to find them.



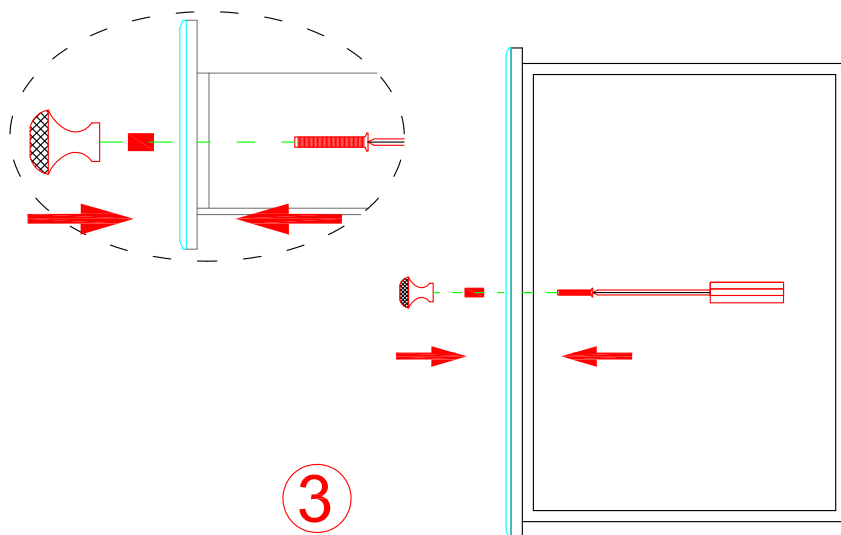
1

## Removing & Installing



2

Notice: Rubber ring can prevent the glass cracking,  
please put it into screw.

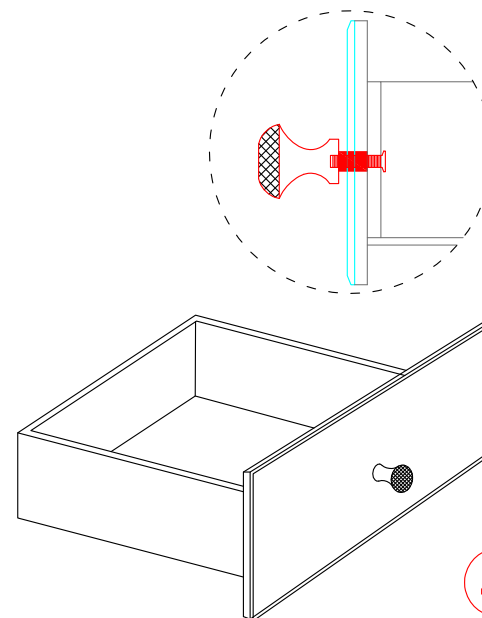


3

## Important Tightening Note:

Since the drawer front is made of mirror material,  
**DO NOT** overtighten the screws  
when attaching the pulls.

Tighten them just enough so that  
the pull feels secure and you can  
gently pull the drawer open  
without the pull coming loose



4