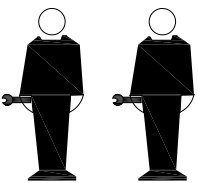
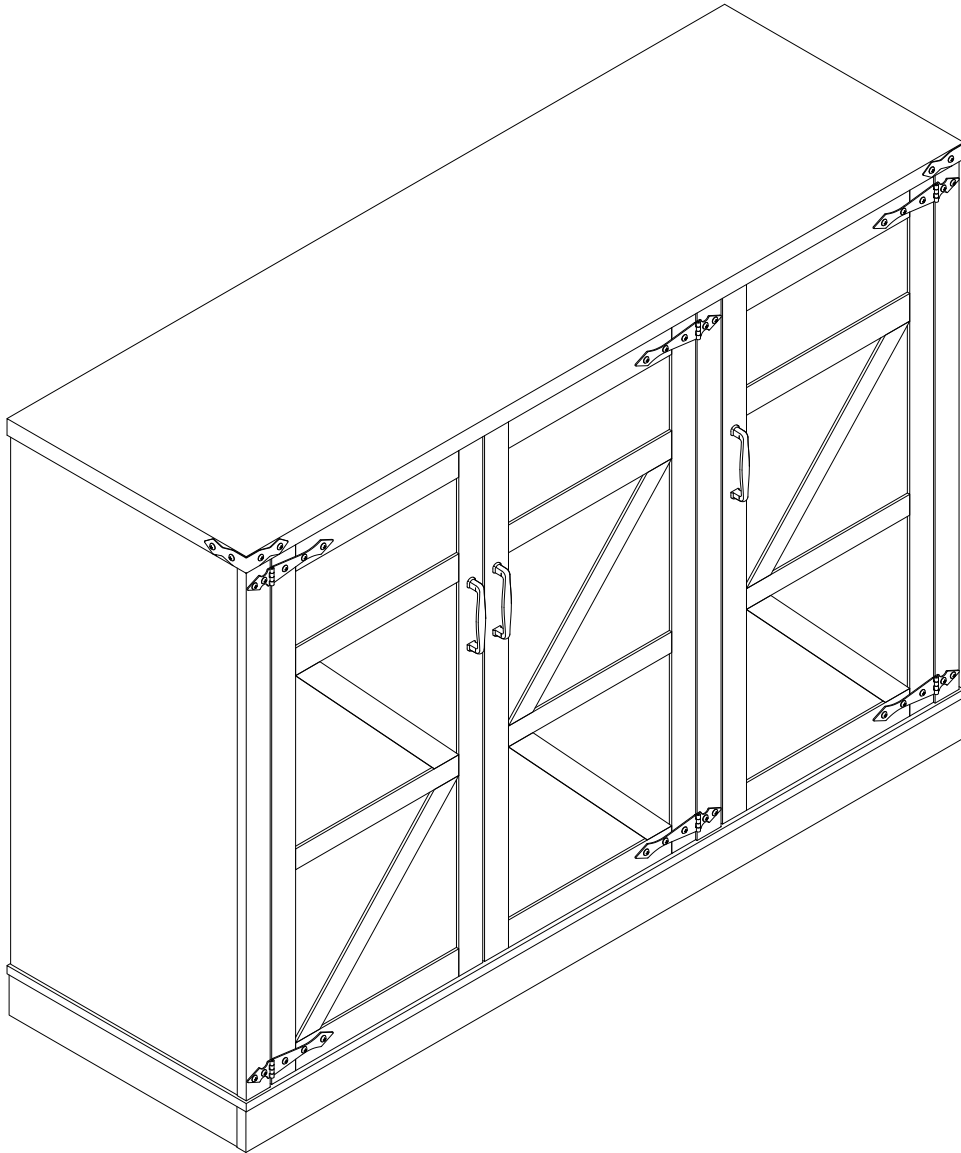
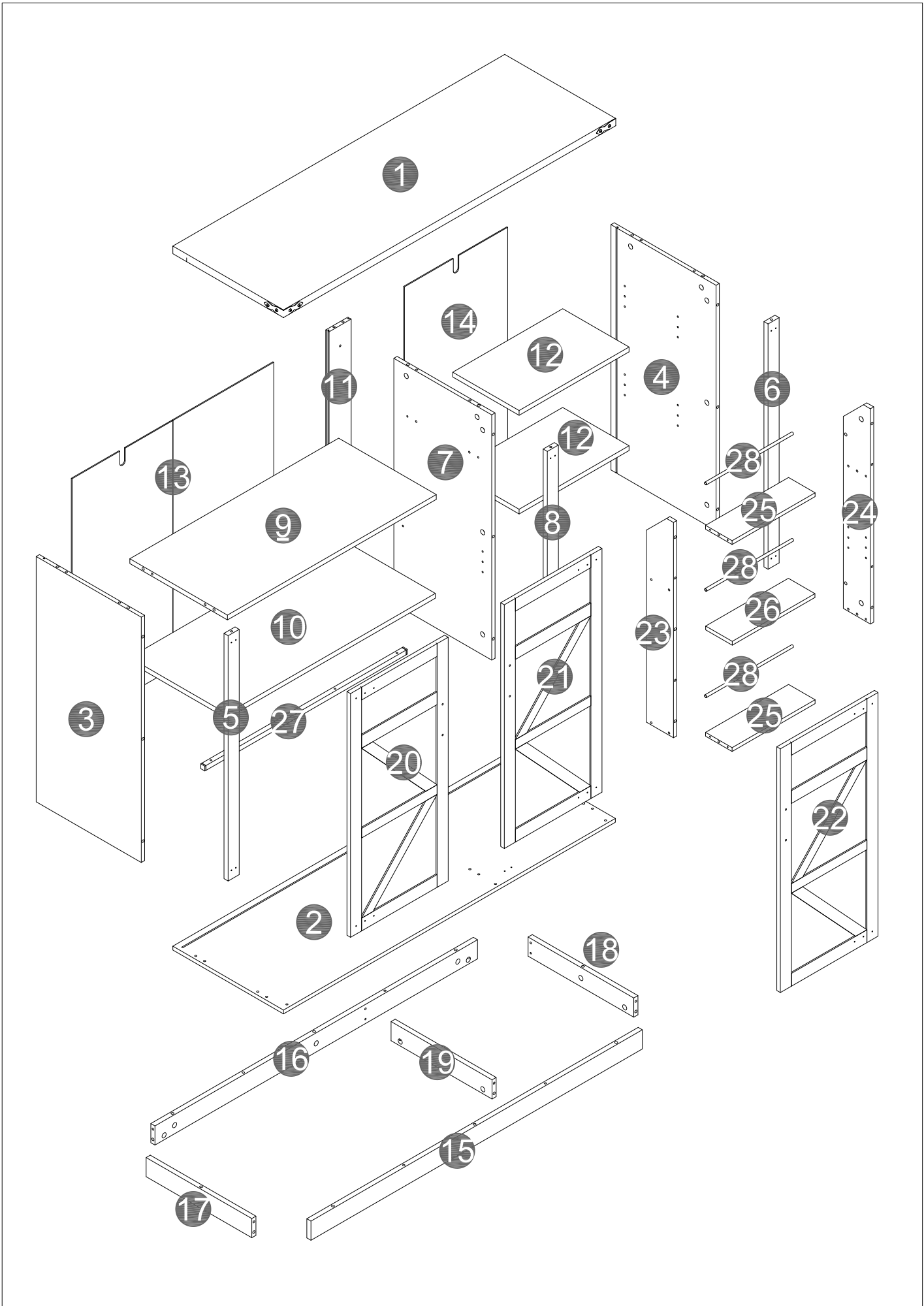


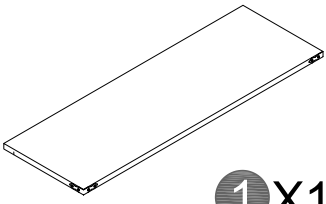
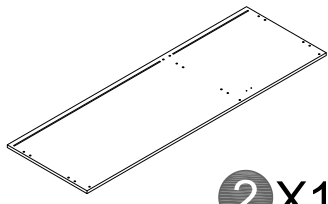
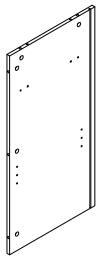



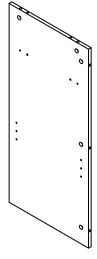

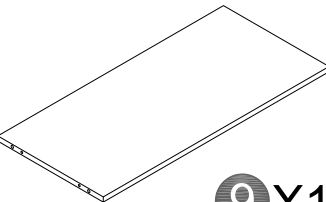
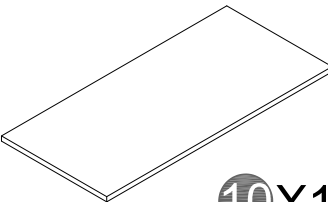

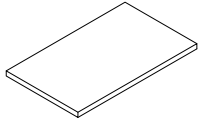
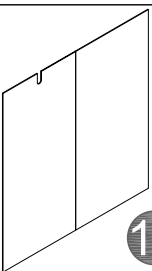
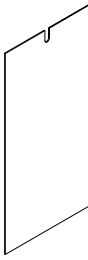
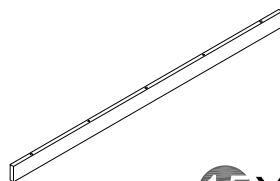
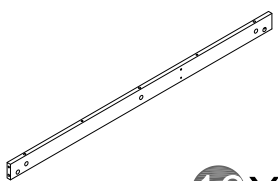
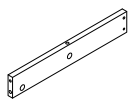
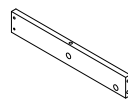
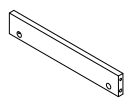
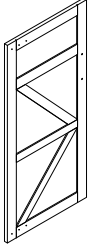
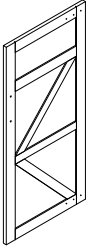
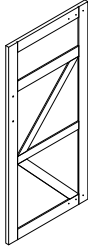


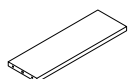
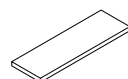
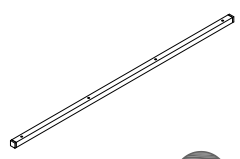

Installation & Assembly

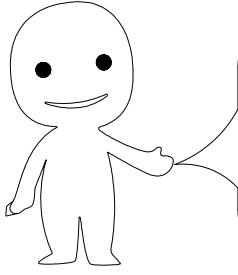


For convenience and safety, we recommend two people to assemble.
If you have any questions, please contact our customer service.

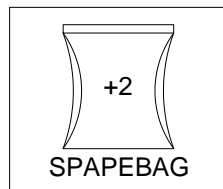
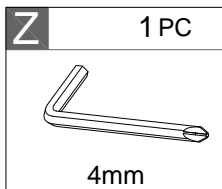
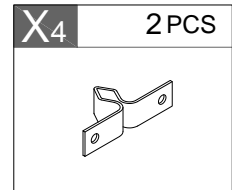
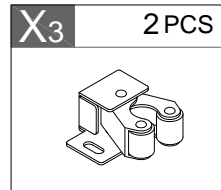
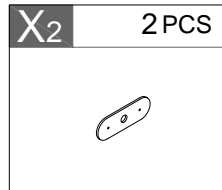
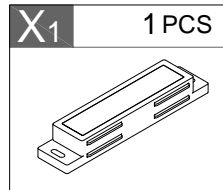
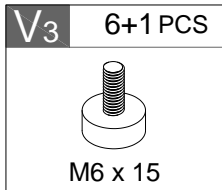
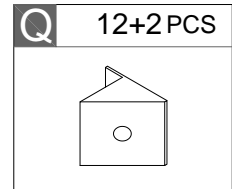
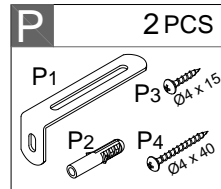
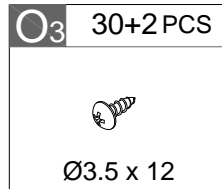
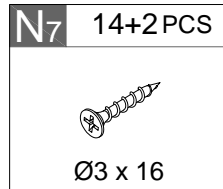
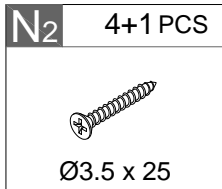
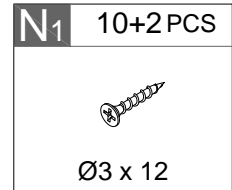
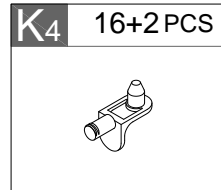
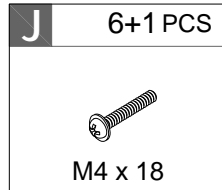
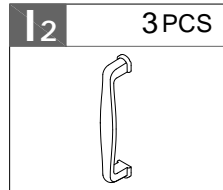
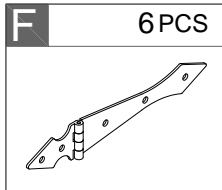
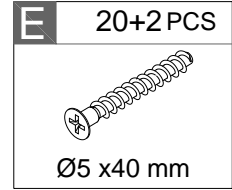
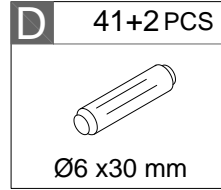
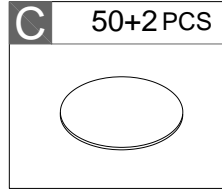
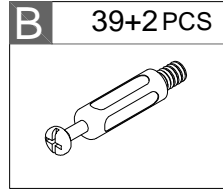
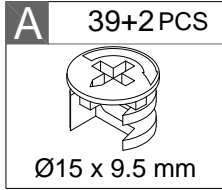
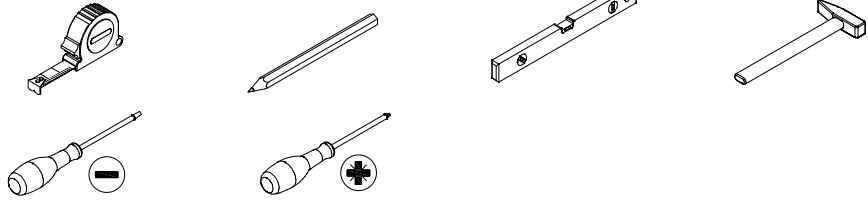


PARTS LIST

 1 X1	 2 X1	 3 X1	 4 X1
 5 X1	 6 X1	 7 X1	 8 X1
 9 X1	 10 X1	 11 X1	 12 X2
 13 X1	 14 X1	 15 X1	 16 X1
 17 X1	 18 X1	 19 X1	 20 X1
 21 X1	 22 X1	 23 X1	 24 X1
 25 X2	 26 X1	 27 X1	 28 X3



Please prepare the following tools



Tips: The number after "+" represents the spare hardware.

IMPORTANT NOTES:

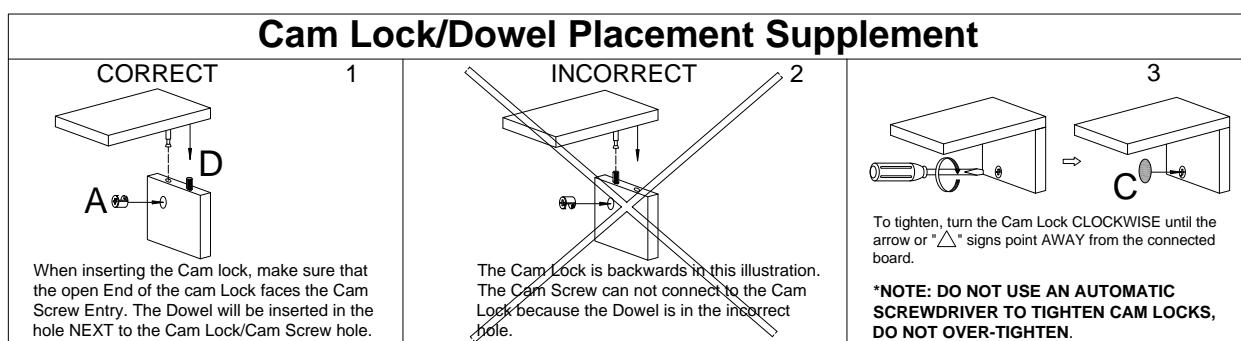
The item you are purchasing is a large furniture product that requires a large number of components to assemble.

Please take all parts boxes out of the packaging and place them in order. So that you can follow the steps in the installation manual to find the corresponding parts box and quantity of need when installing. Please do not take too many parts to prevent the parts from scattering.

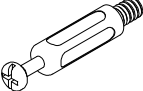
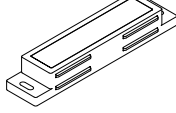
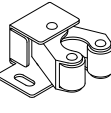


Please be patient and follow the instructions step by step for installation. If you have any problems during the installation process, you can ask our customer service to help you solve them!

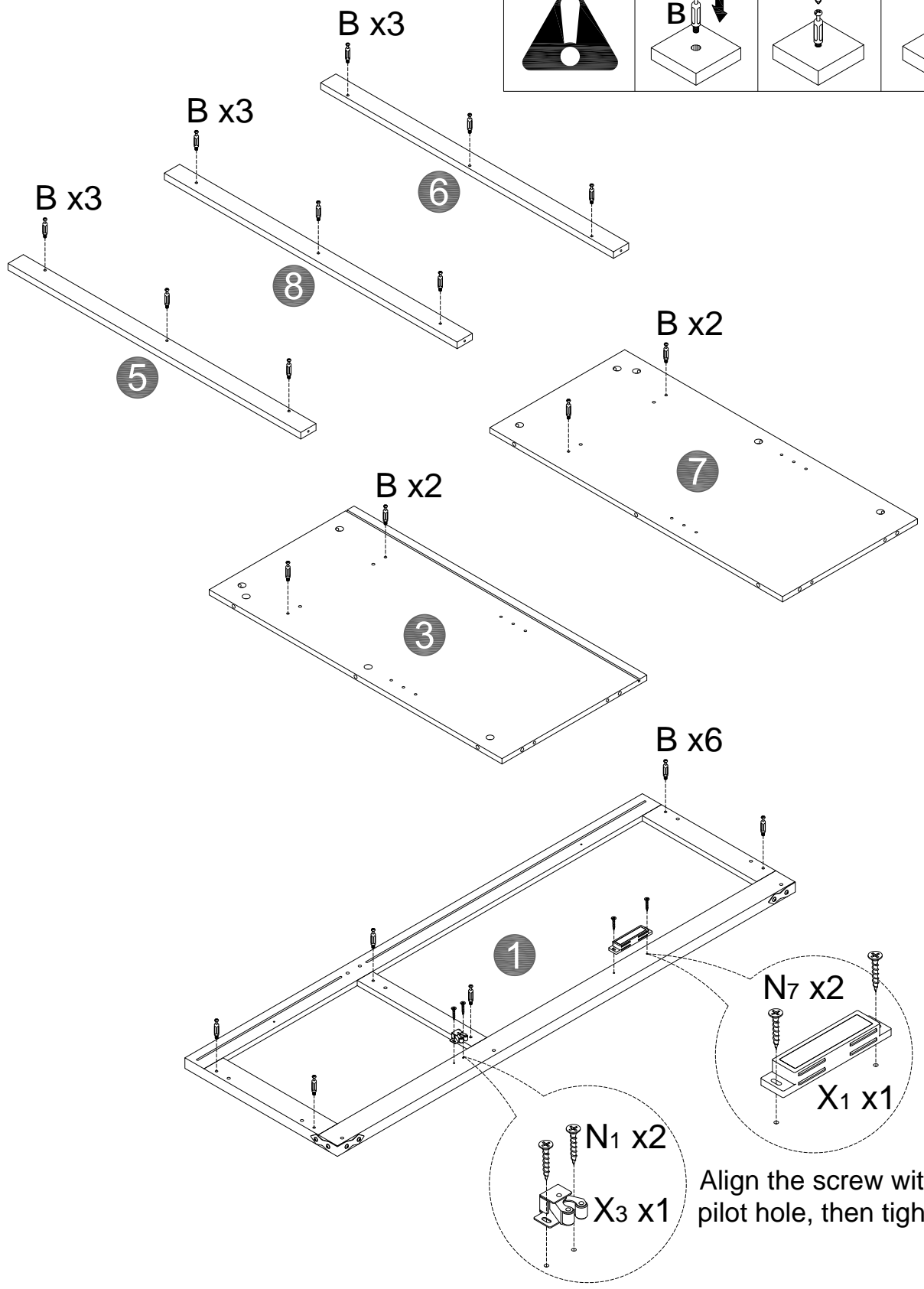
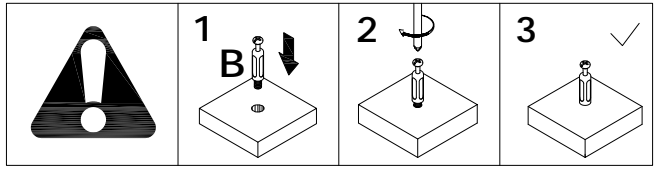
SAFETY TIPS:

Static charge may cause dust on foam – clean with a dry or damp cloth. Small foam strands may be present – handle gently and dispose of properly. Do not burn or incinerate. Check local recycling guidelines.

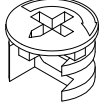
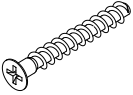


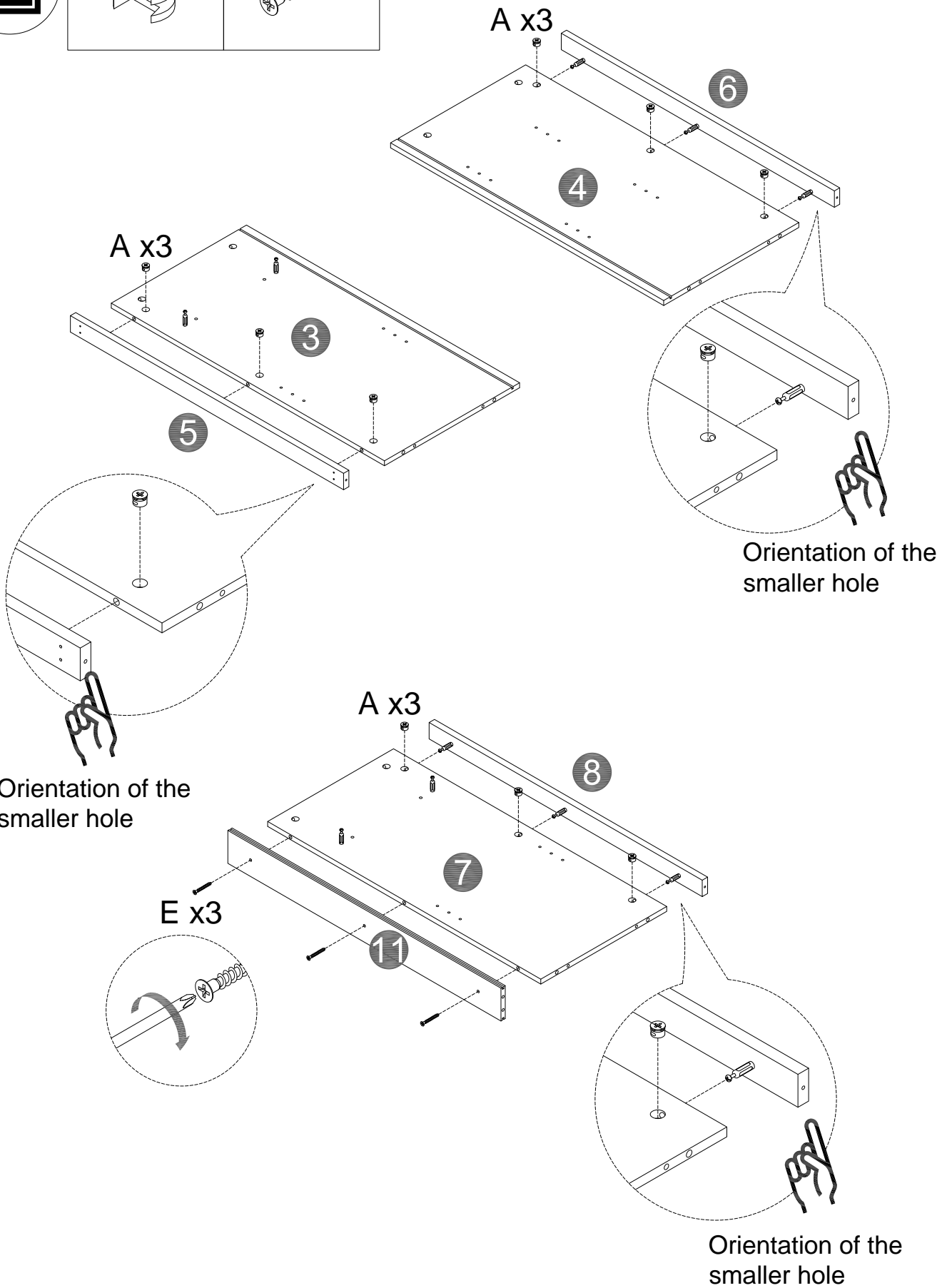
1

B	19PCS	X₁	1PCS	X₃	1PCS	N₁	2PCS	N₇	2PCS
									



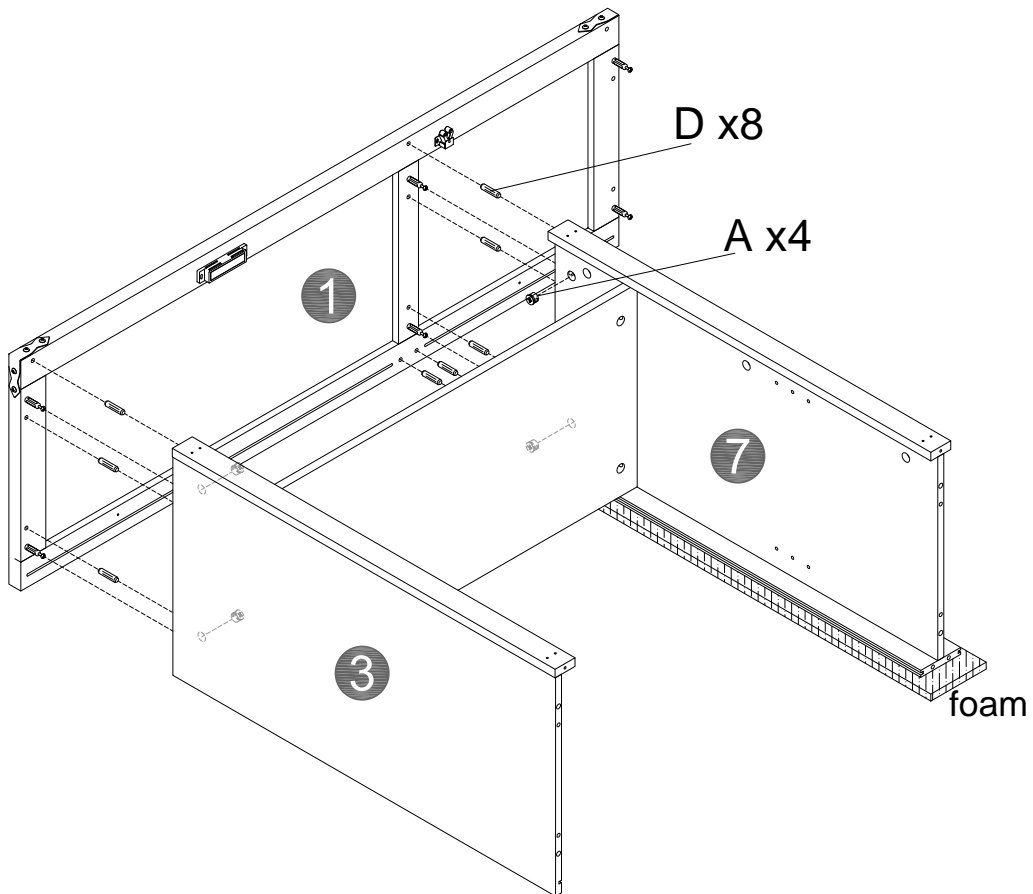
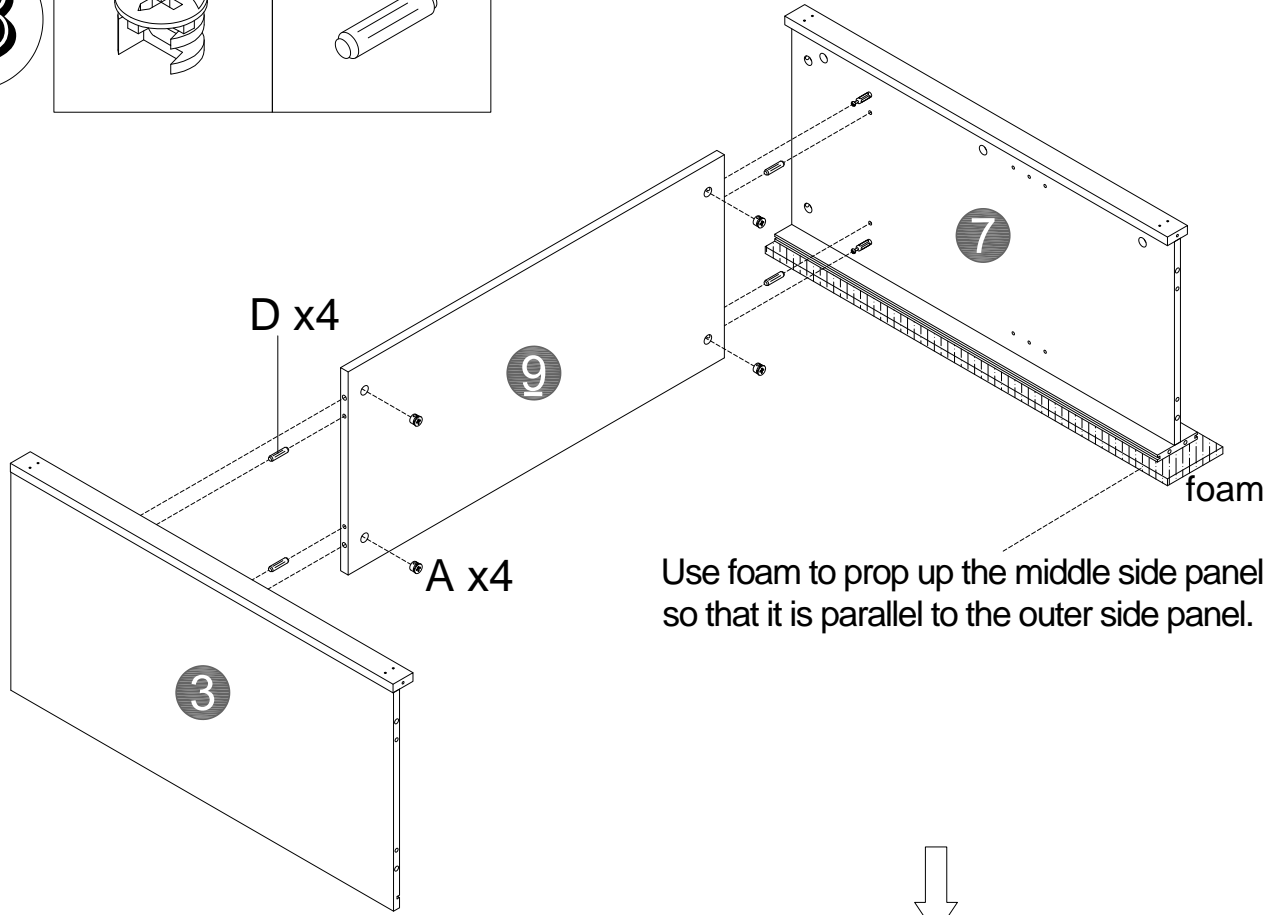
2

A	9 PCS	E	3 PCS
			

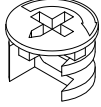
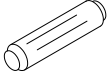


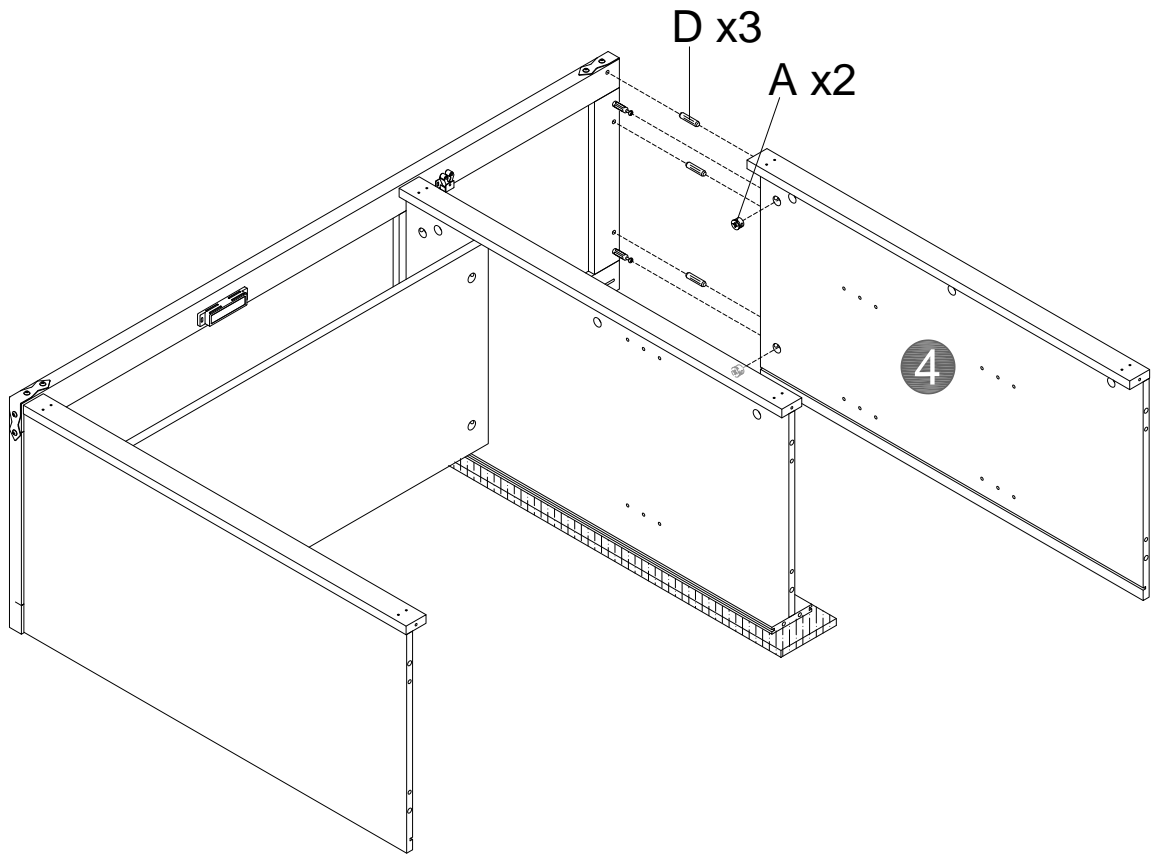


A	8 PCS	D	12 PCS

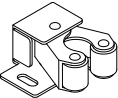



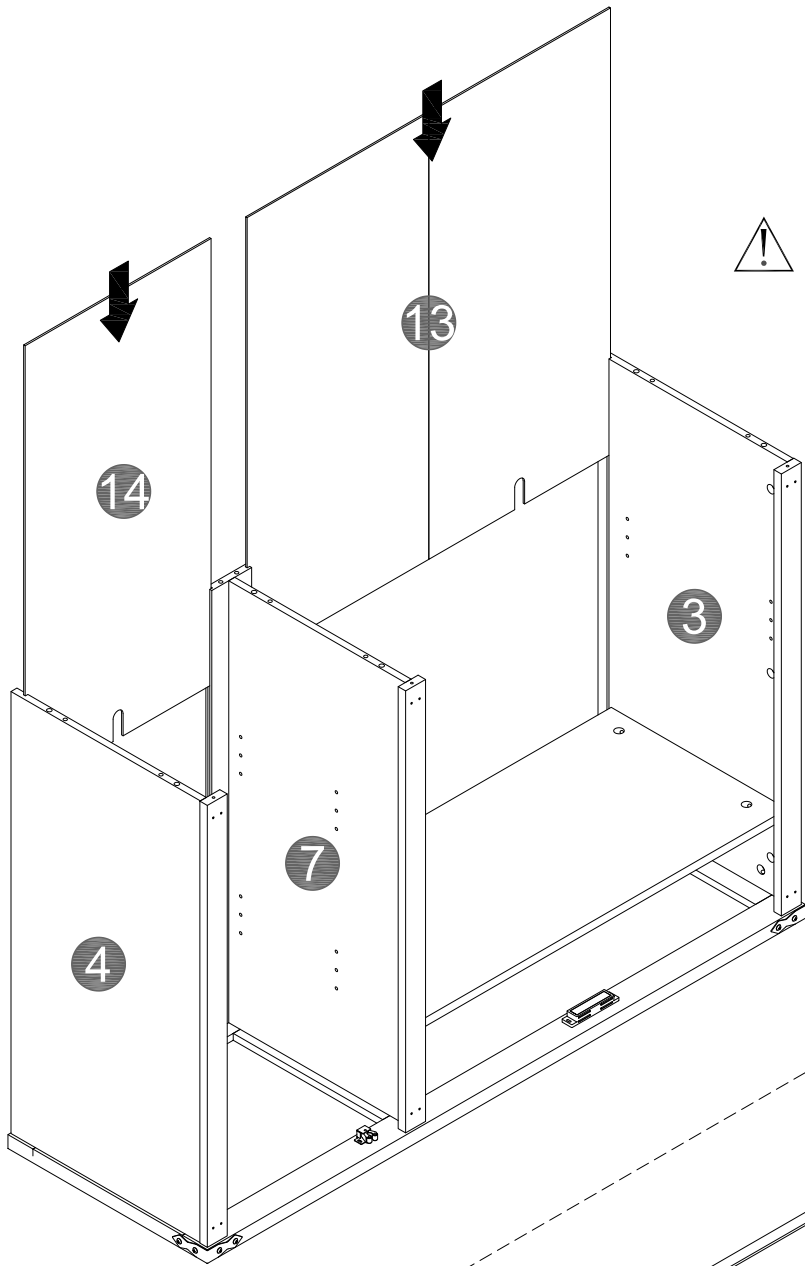
4

A	2 PCS	D	3 PCS
			

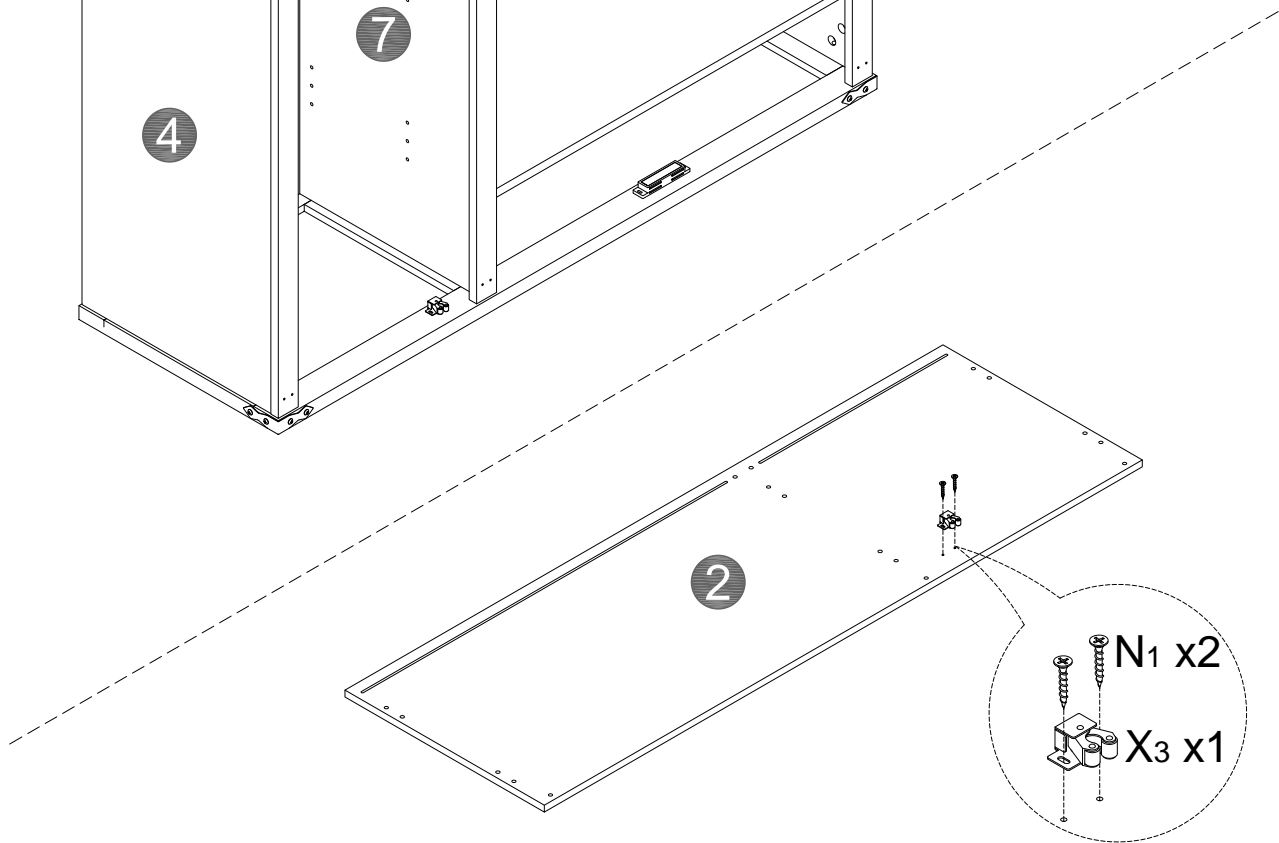


5

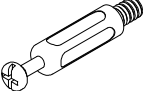
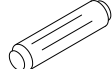
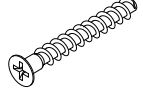
X3	1 PCS	N1	2 PCS
			

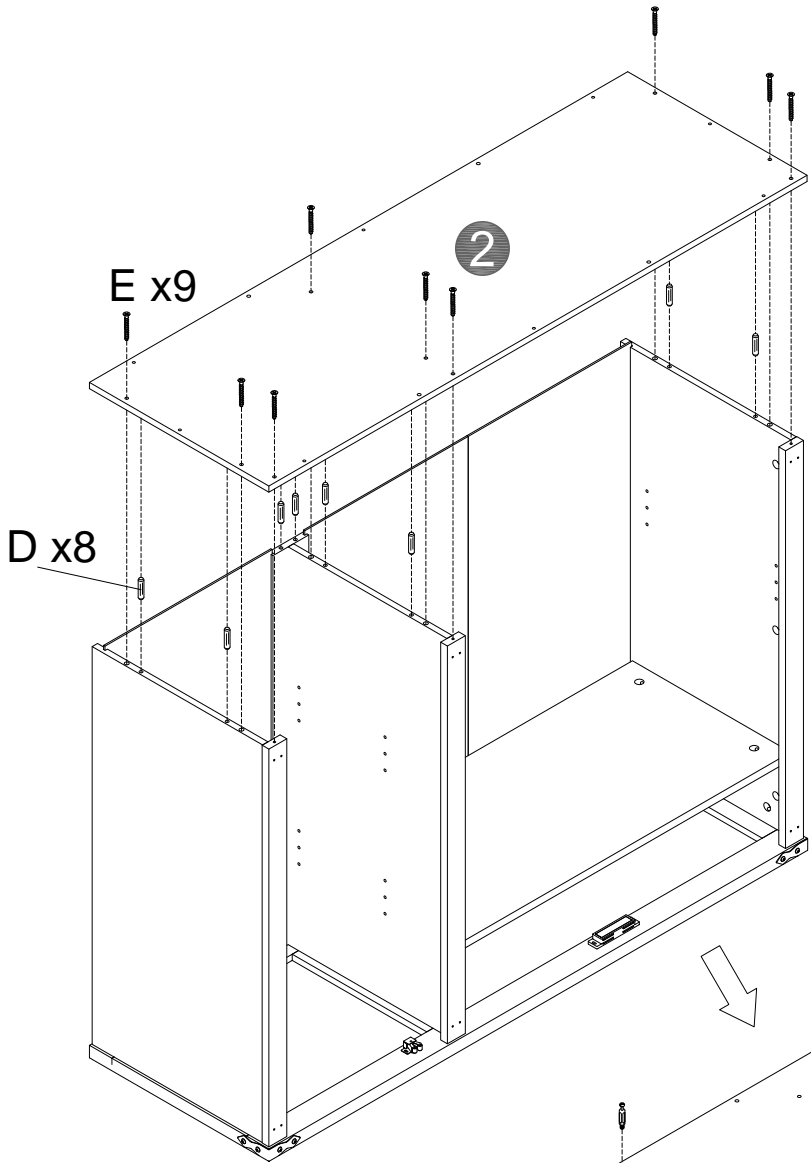


Ensure the back board is inserted into the slot.

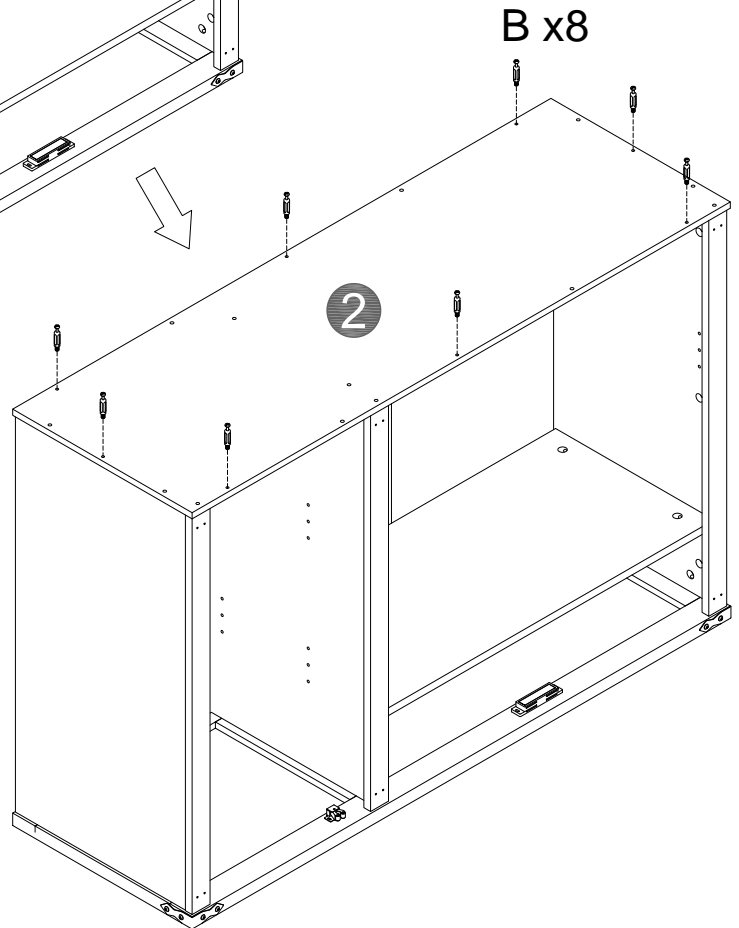




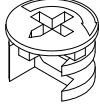
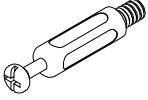
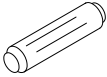
B	8 PCS	D	8 PCS	E	9 PCS
					

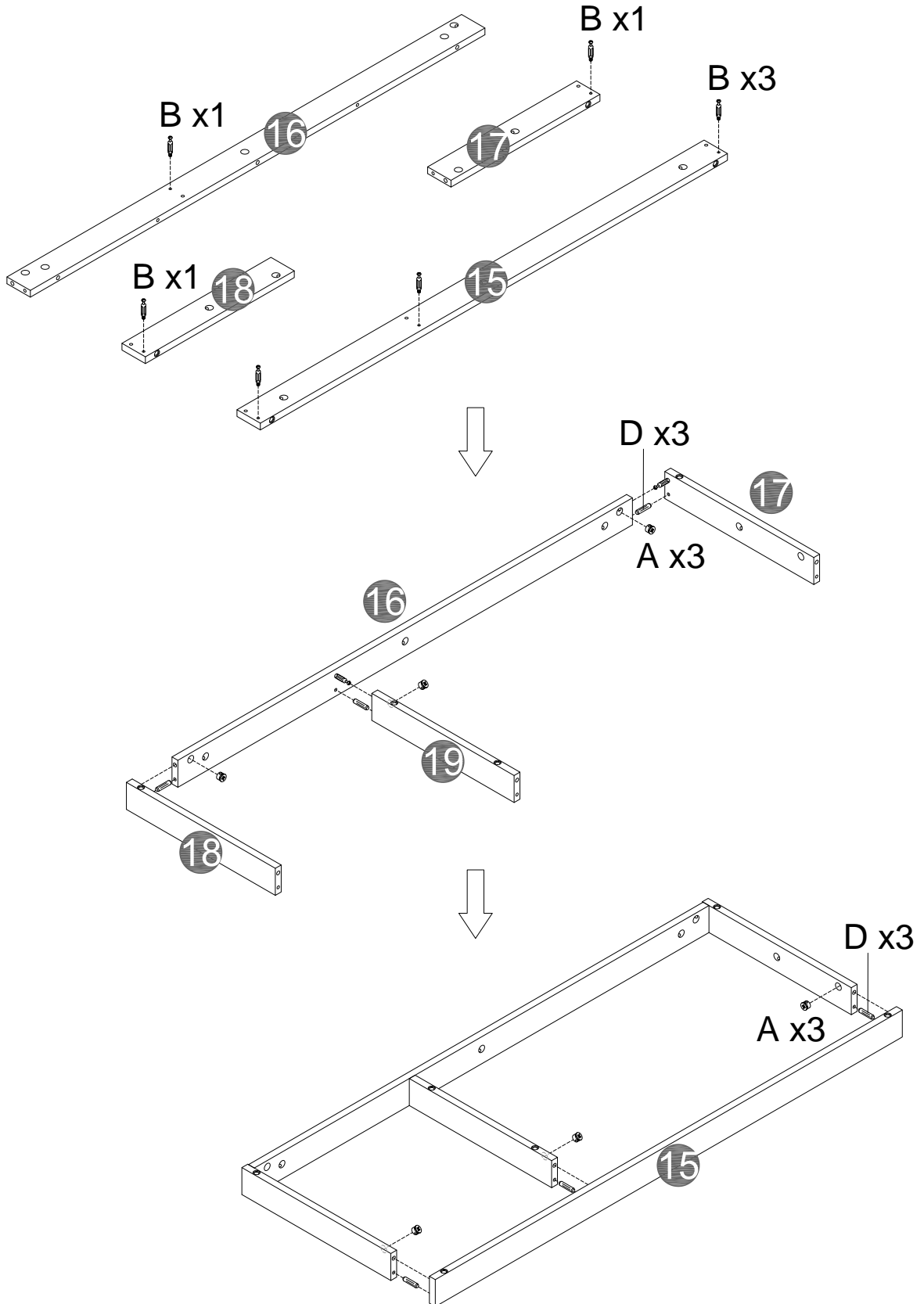


Ensure the back board is inserted into all four slots, then tighten the screws.



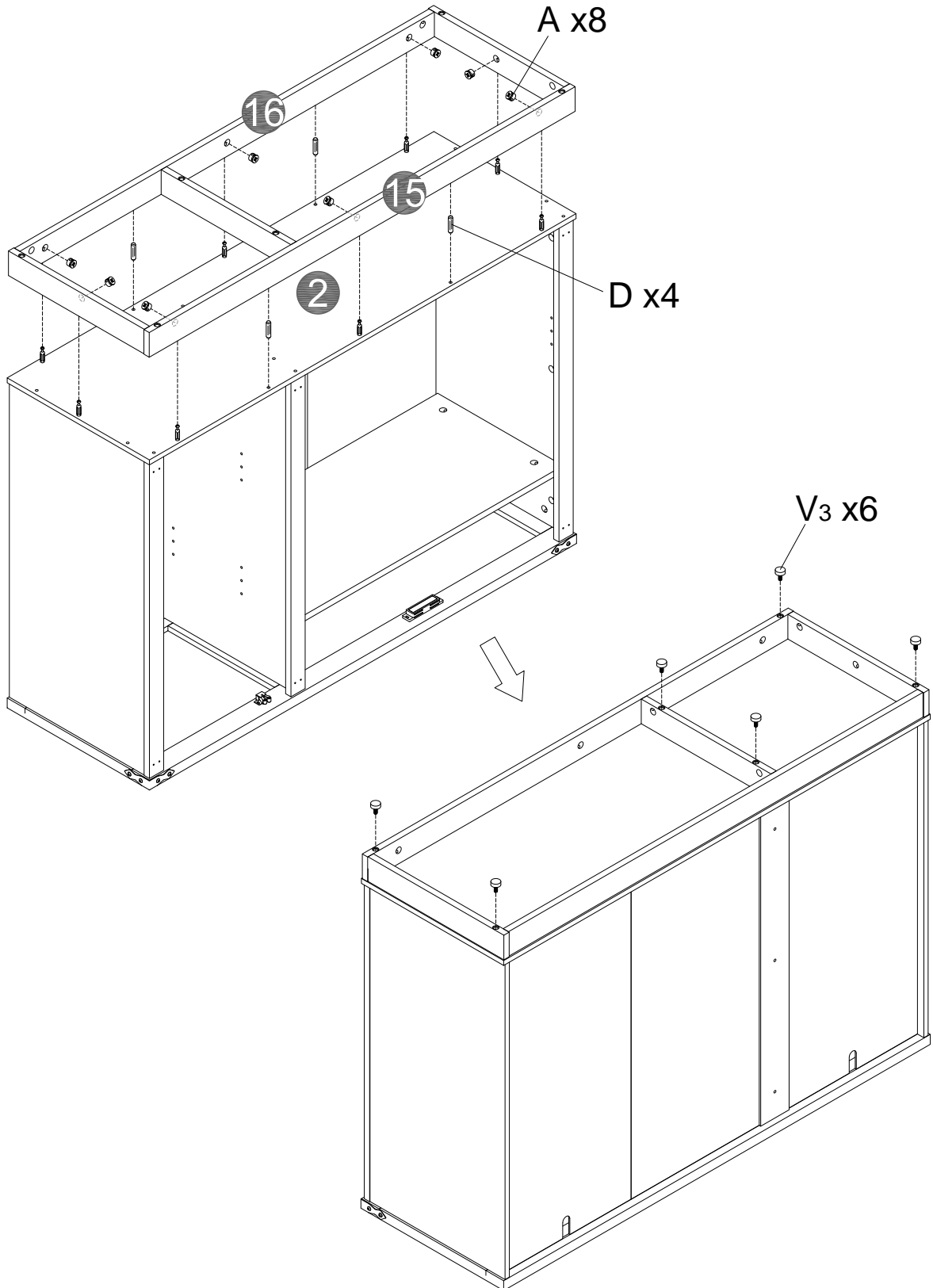
7

A	6 PCS	B	6 PCS	D	6 PCS
					





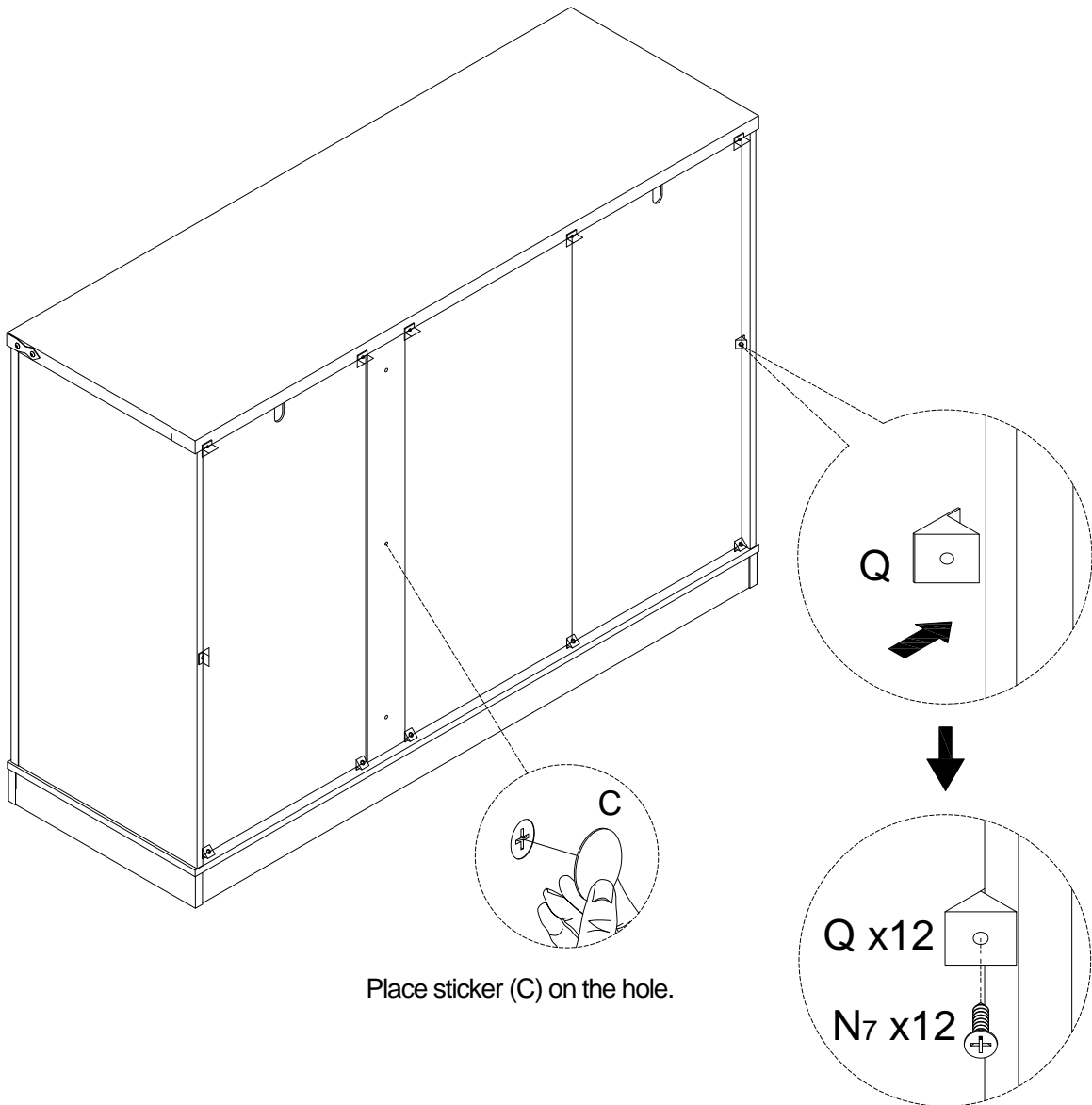
A	8PCS	D	4PCS	V₃	6PCS



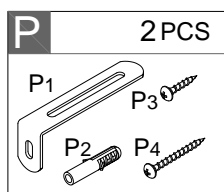



Q	12 PCS	N7	12 PCS

Installing back board fasteners can improve the overall stability of the furniture. It ensures the verticality of the furniture and that the door boards are level, so that the gaps are uniform.

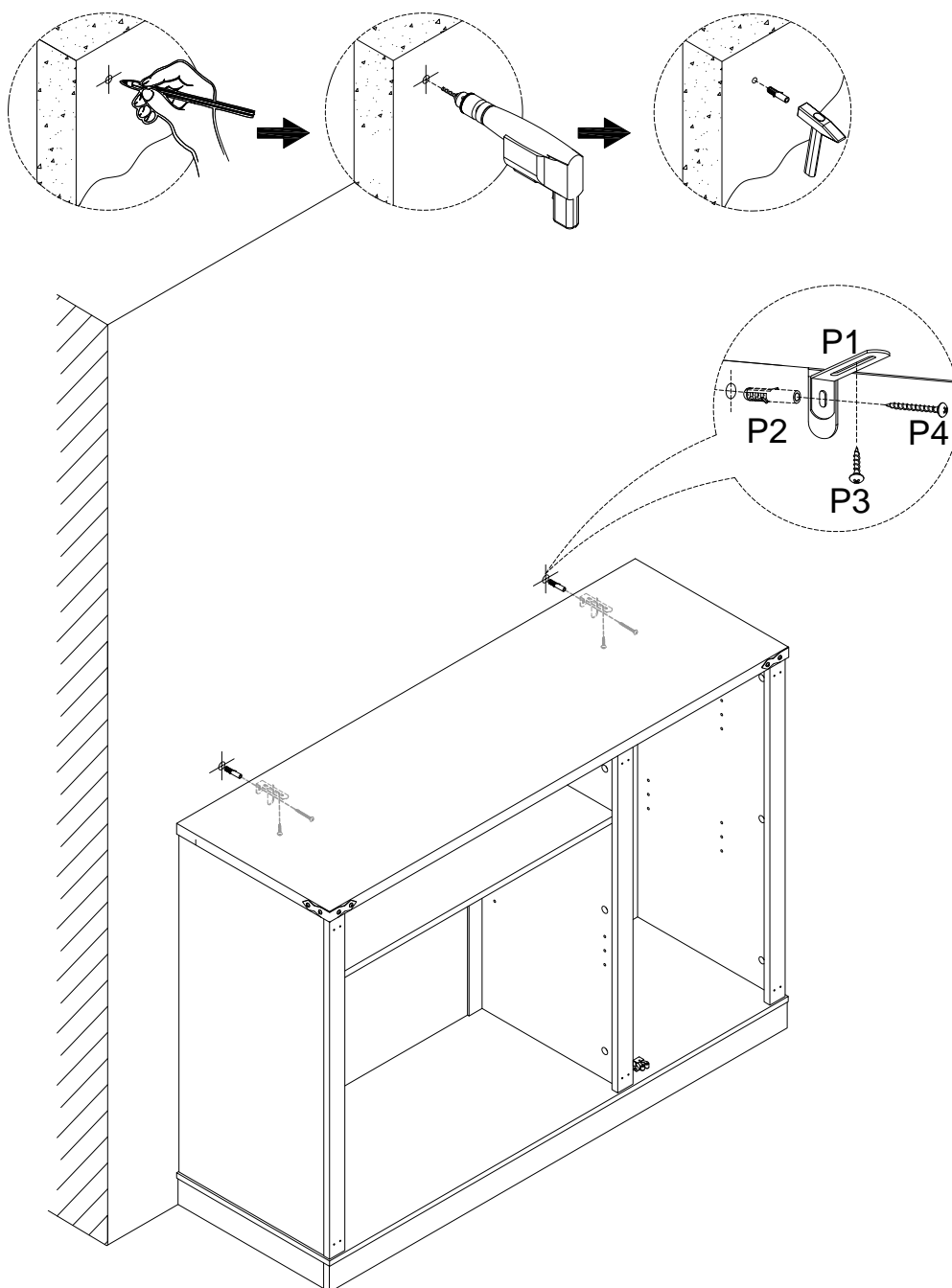


10

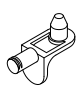



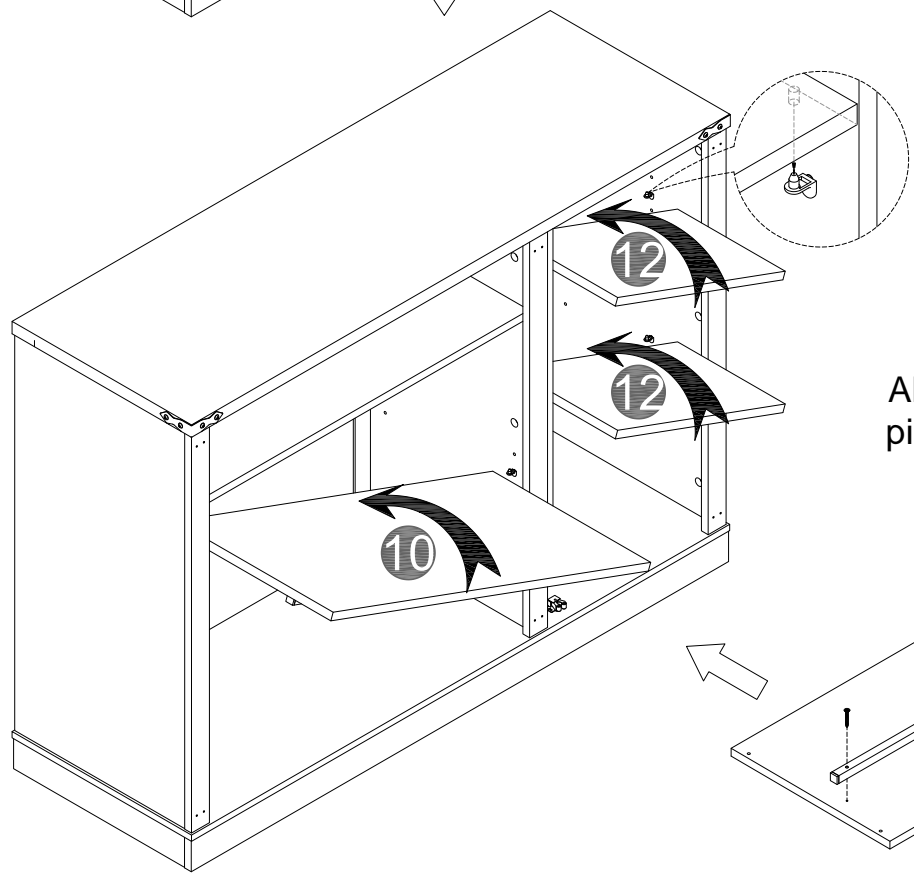
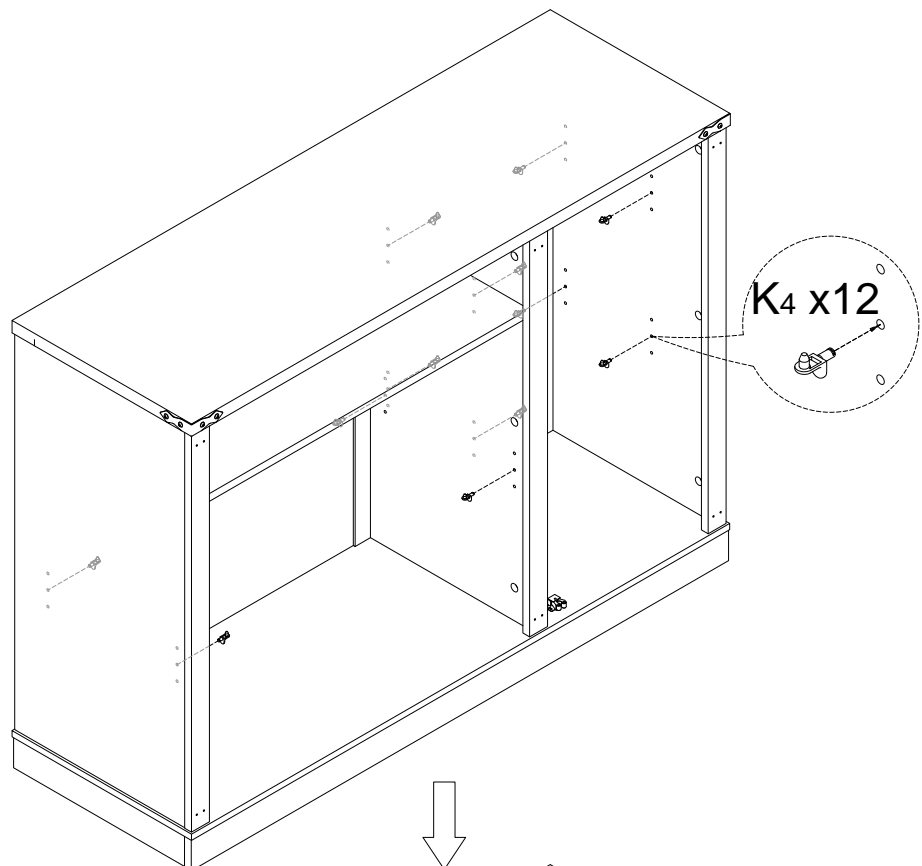
 **Warning:** If you overturn the furniture, it may cause serious or fatal crushing injuries. We have a wall connection device attached, please use it to hold the furniture following these instructions.

1. Mark the corresponding hole positions where you want to place the furniture;
2. Use a impact drill to drill holes and pay attention to avoid wires and water pipes;
3. Knock the expansion pipes into the wall holes;
4. Place the furniture in the corresponding position and tighten the wall connection device with screws.

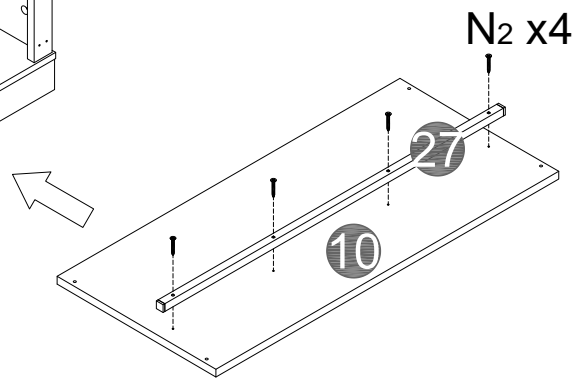


1 1

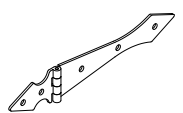





K4	12 PCS	N2	4 PCS
			



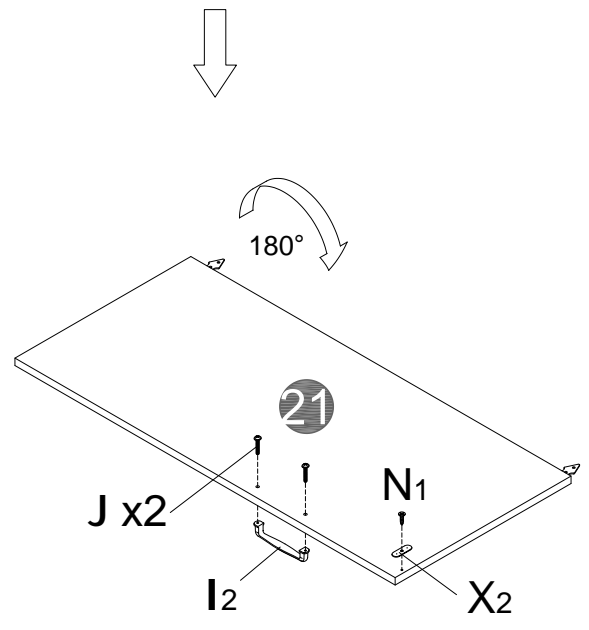
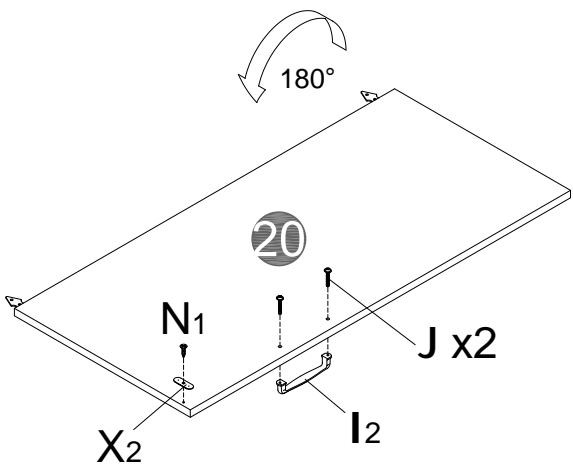
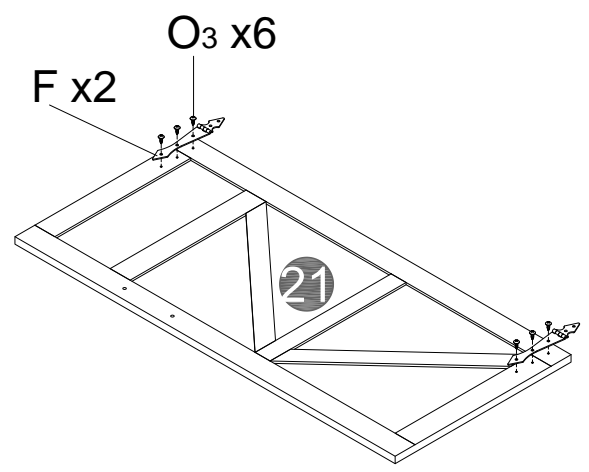
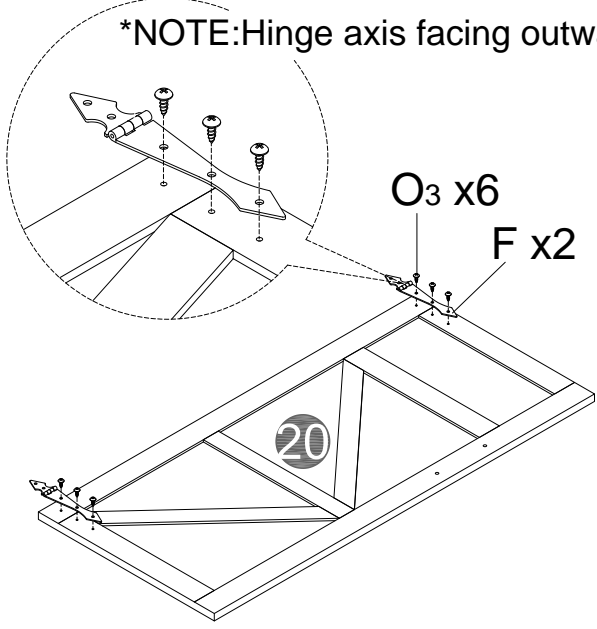
Align the screw with the pilot hole, then tighten it.



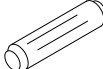
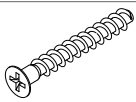
12

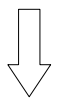
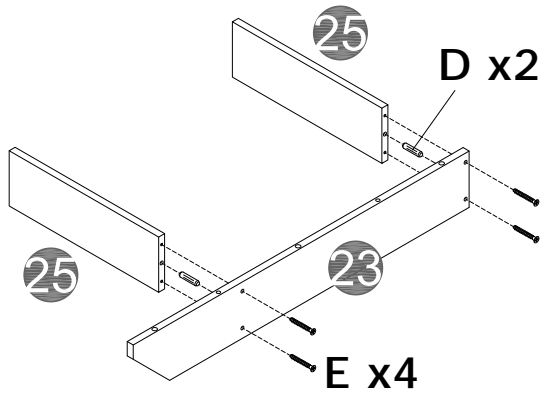
F	4 PCS	O₃	12 PCS	I₂	2 PCS	J	4 PCS	N₁	2 PCS	X₂	2 PCS
											

*NOTE:Hinge axis facing outward

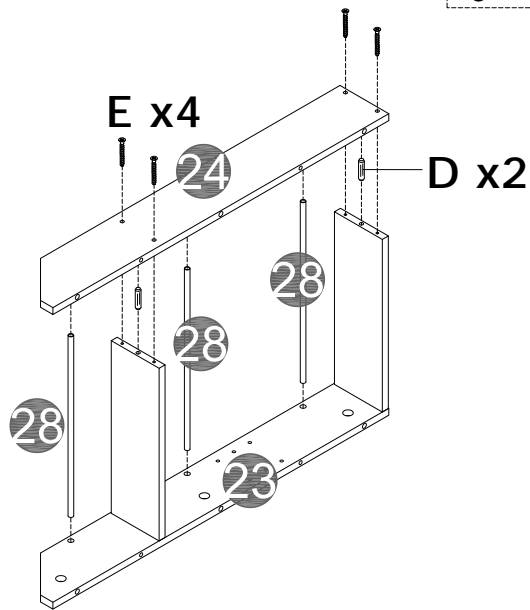


13

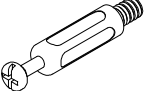



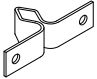
D	4 PCS	E	8 PCS
			

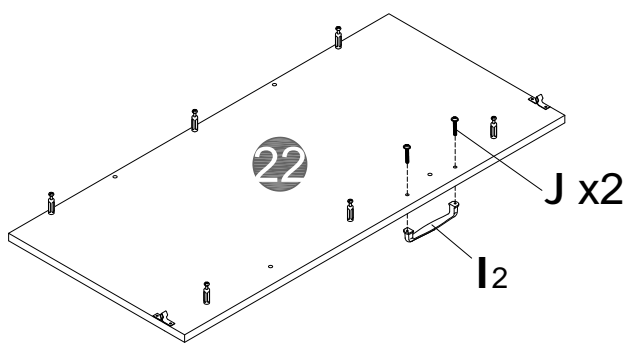
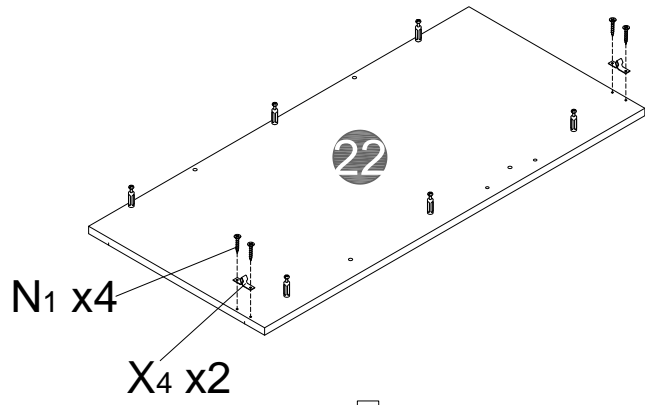
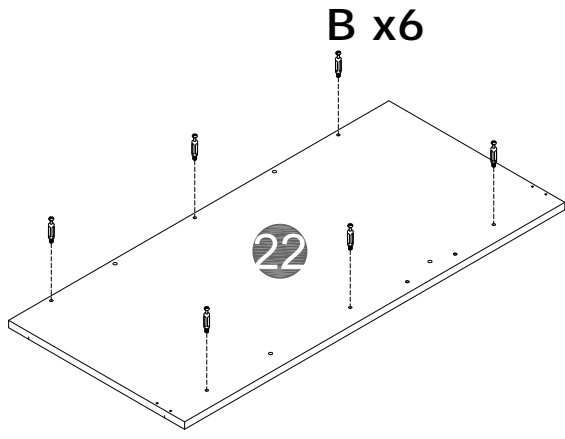


Ensure that the iron pipe is inserted into the holes of the upper and lower boards, then tighten the screws.

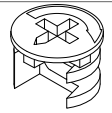
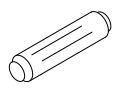
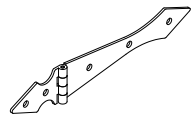



14

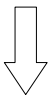
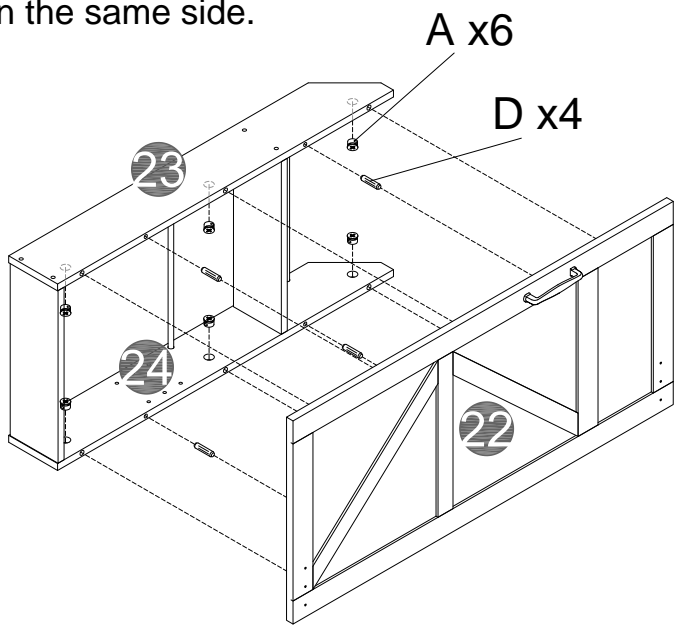
B	6 PCS	I₂	1 PCS	J	2 PCS	N₁	4 PCS	X₄	2 PCS
									



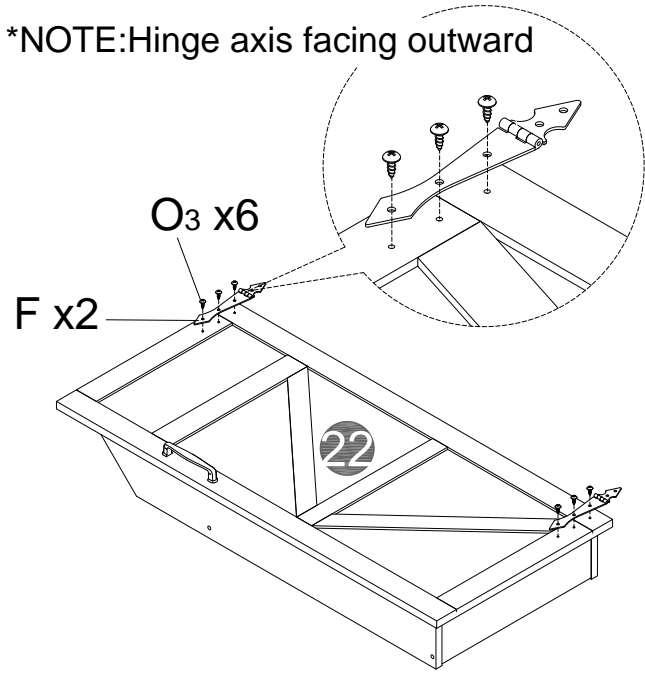
15

A	6 PCS	D	4 PCS	F	2 PCS	O ₃	6 PCS
							

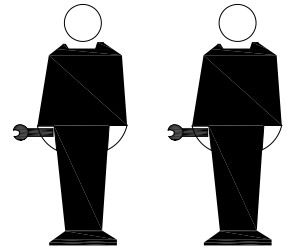
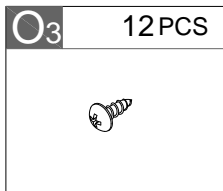
Note: Board 23 and the door board handle must be on the same side.



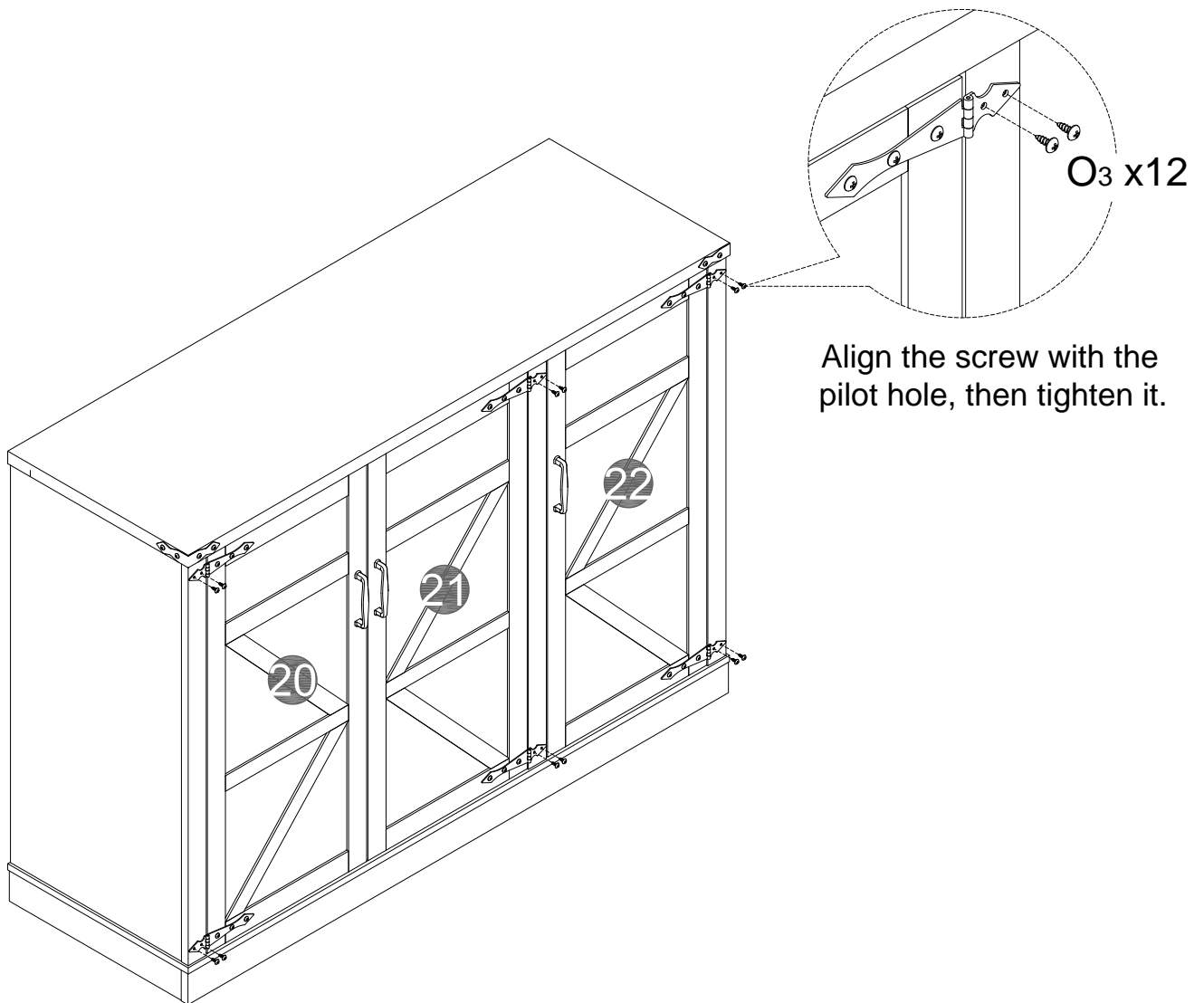
*NOTE:Hinge axis facing outward



16



This step requires two people to complete



Align the screw with the pilot hole, then tighten it.

You can adjust the level of the cabinet by using the adjustable feet at the bottom of the furniture to make the gaps between the cabinet door boards even.

17

K4 4 PCS



Open the door beneath
and install the shelf pins.

K4 x4

Place sticker (C) on the hole.

C

26

Align the holes at the bottom
of the shelf with the shelf
pegs, then press down.

Final Assembly