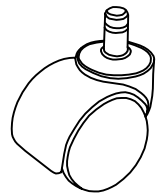


A 1 PC



B 1PC



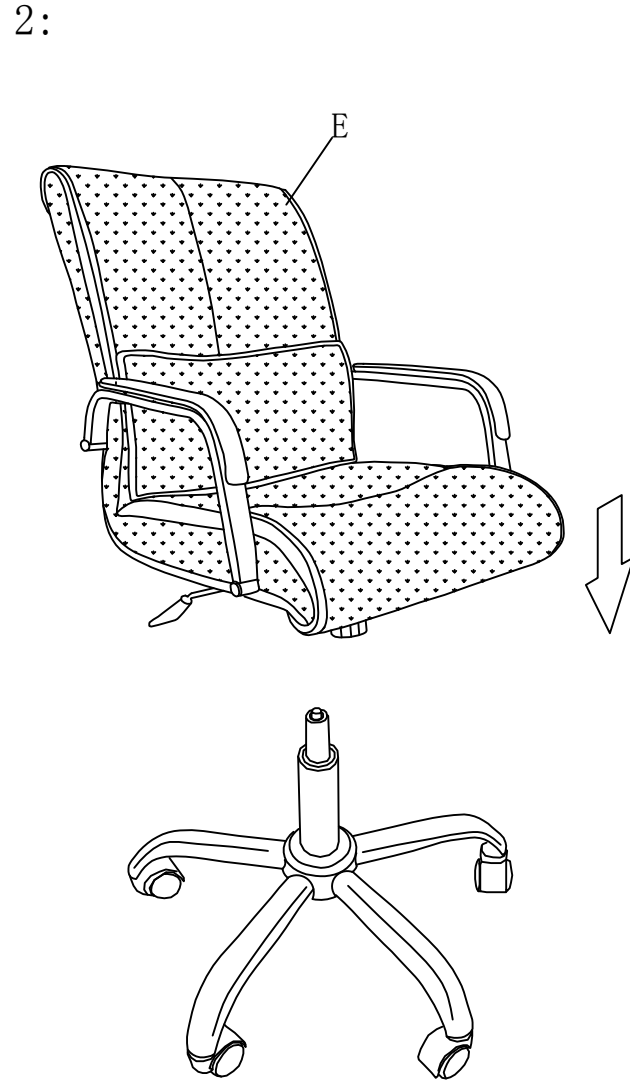
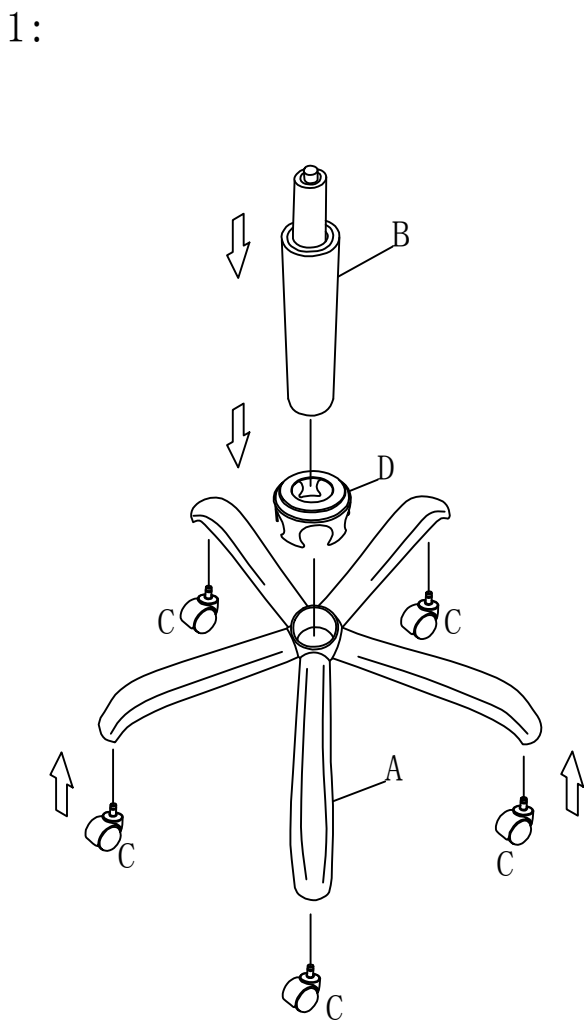
C 5 PCS



D 1 PC



E 1 PC



GS6022

Always lay components on
A clean, soft-cushioned
surface during assembly.