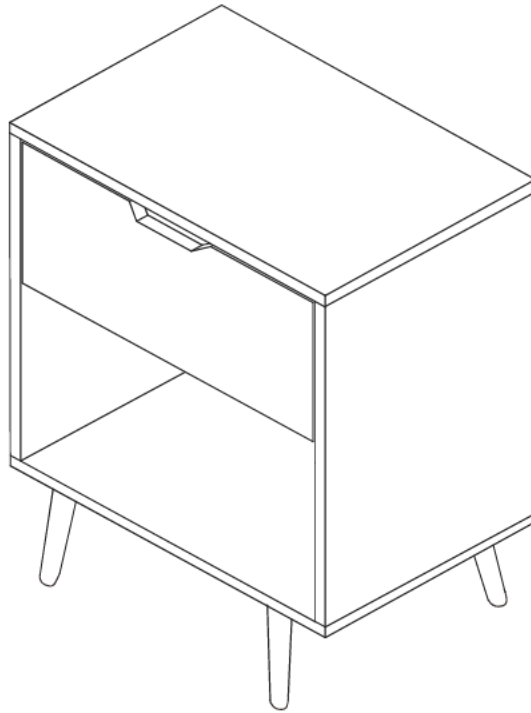







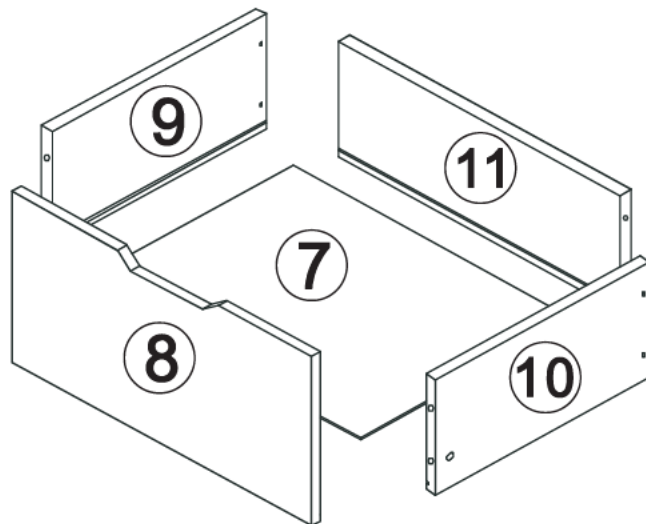
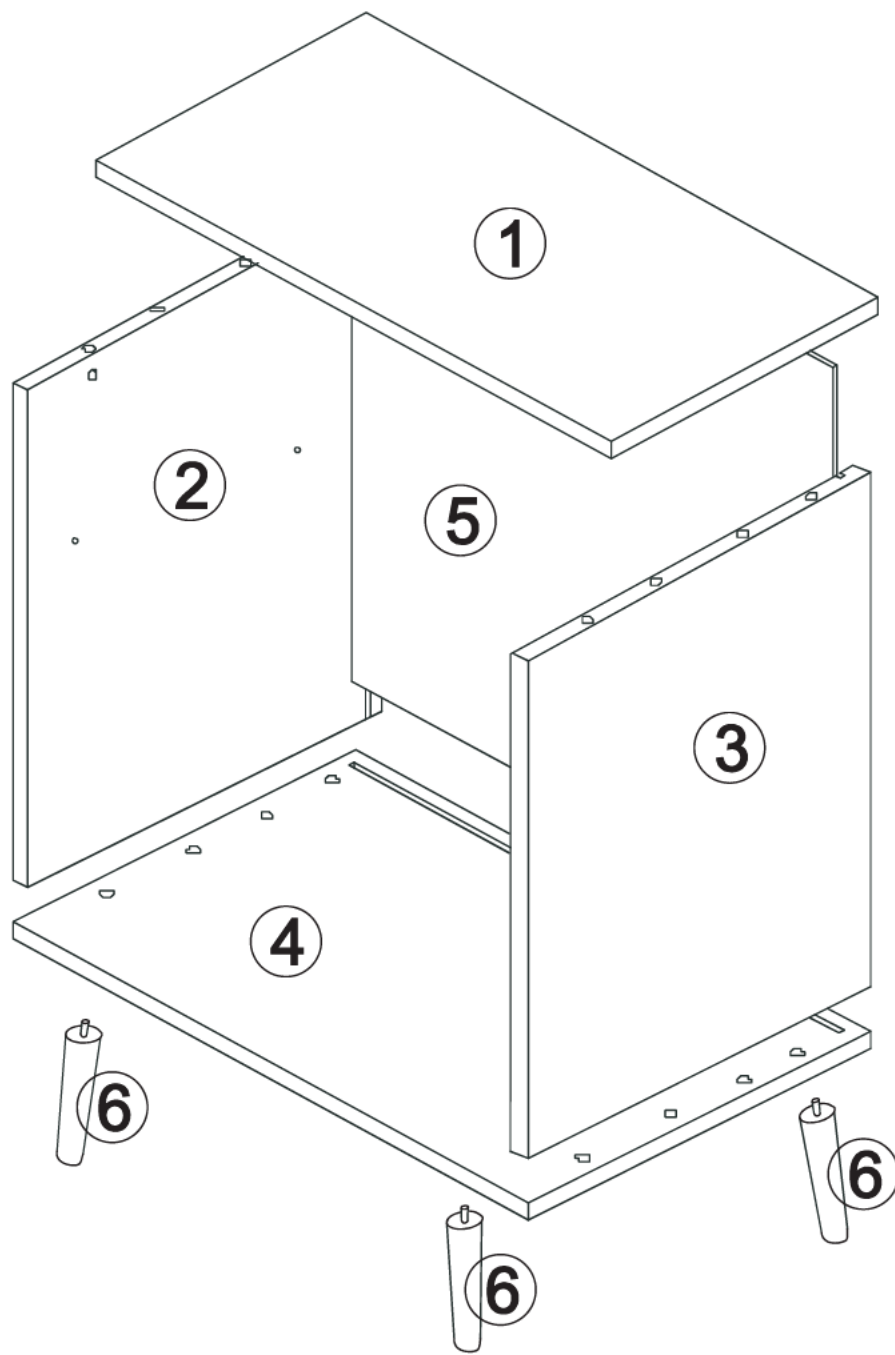


ASSEMBLY INSTRUCTIONS

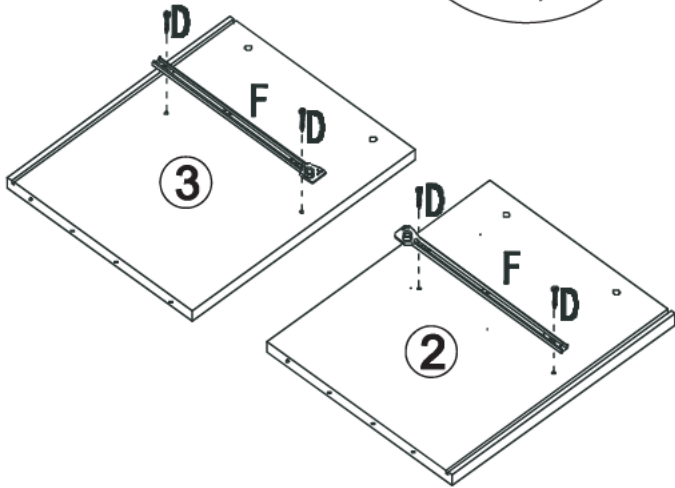
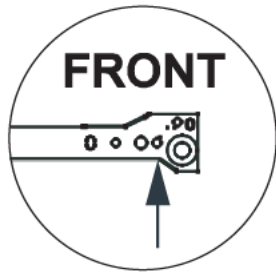


(A)x 6 	(B)x 6 	(C)x 10 	(D)x 8 
(E)x 8 	(F)x 1 	(G)x 4 	



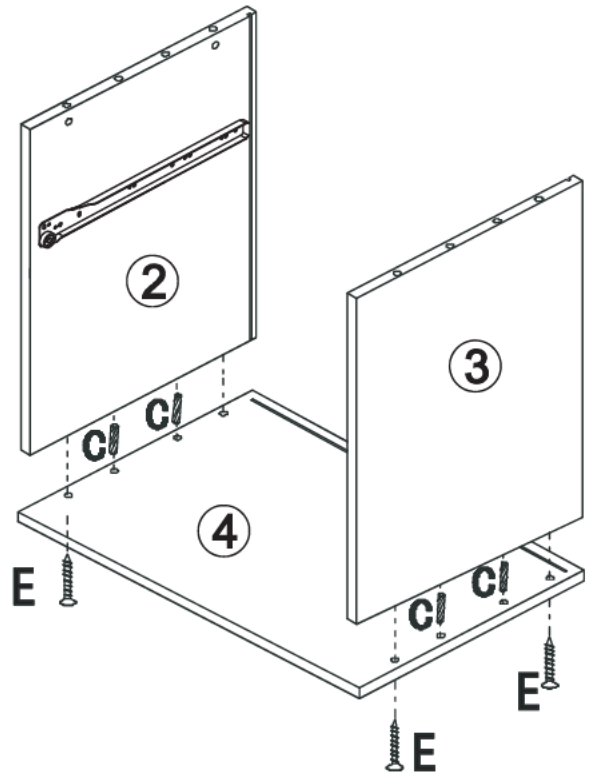
Step 1

D	4pcs	F	1pcs
---	------	---	------

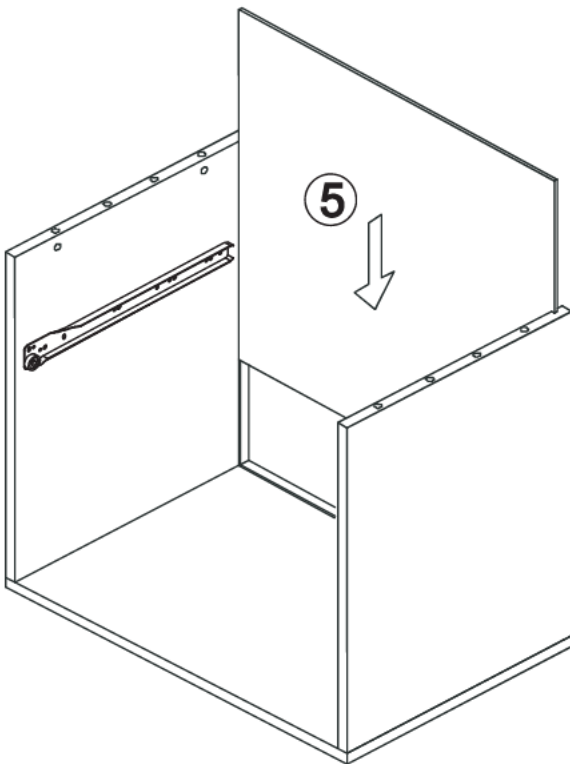


Step 2

C	4pcs
E	4pcs

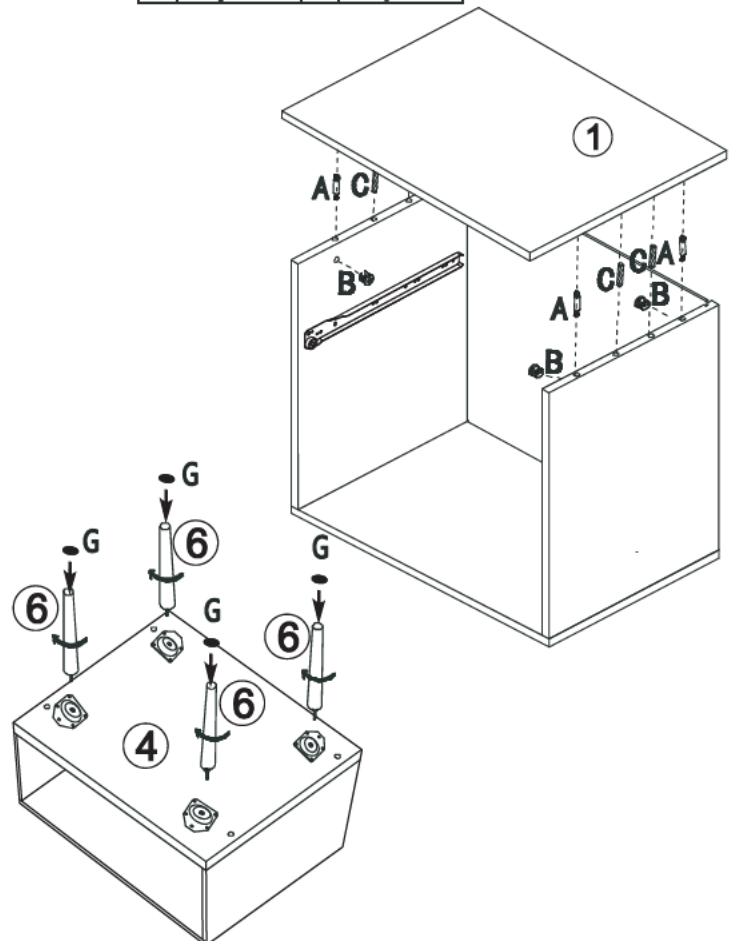


Step 3



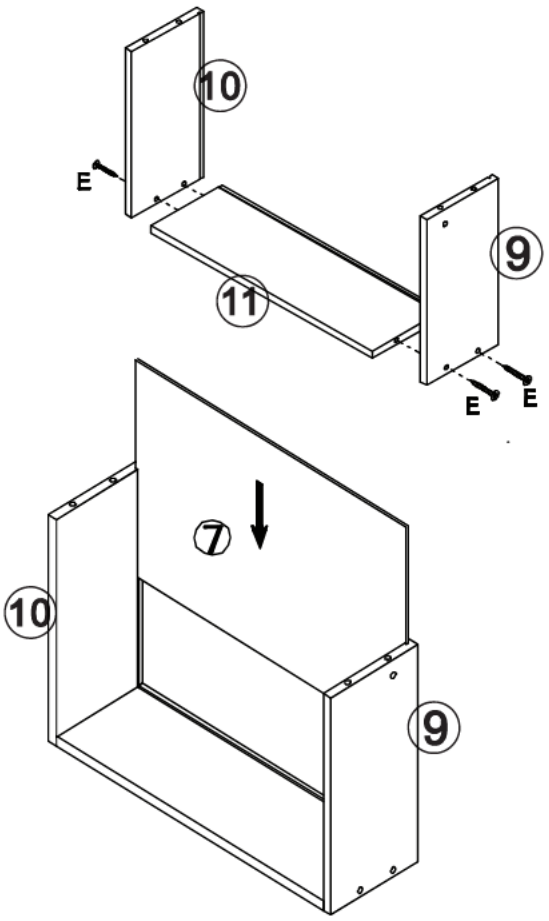
Step 4

A	4pcs	C	4pcs
B	4pcs	G	4pcs



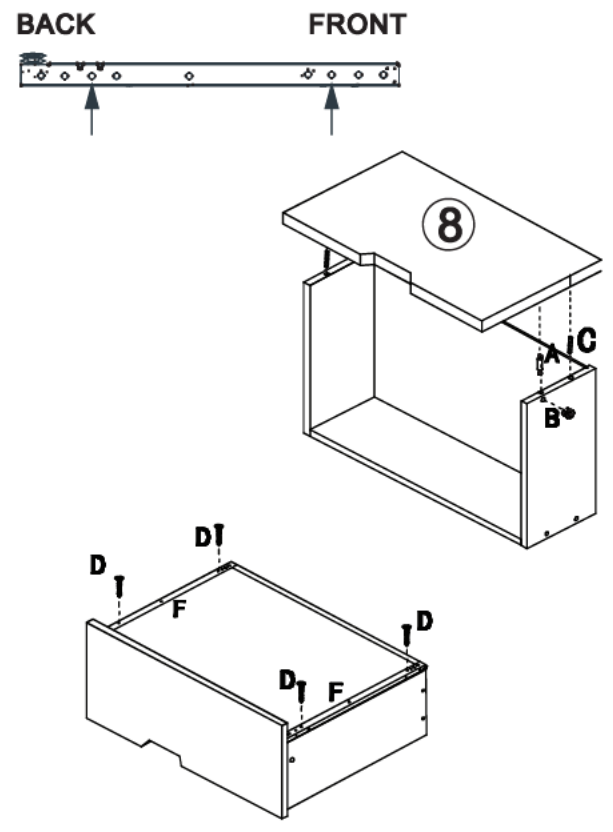
Step 5

E	4pcs
---	------

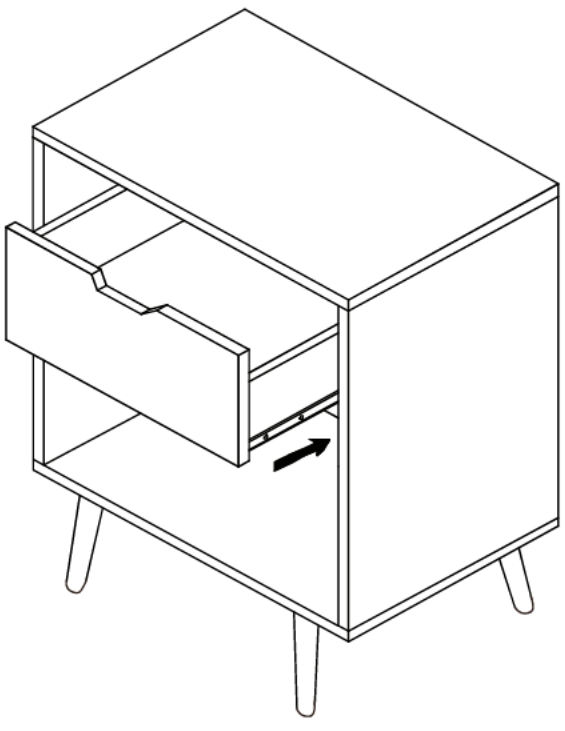


Step 6

A	2pcs	C	2pcs	F	1pcs
B	2pcs	D	4pcs		



Step 7



Step 8

