

The logo for Woody Home is presented in a bold, 3D-style font. The word "WOODY" is in a larger, more prominent font than "HOME". The letters are a light tan color with a darker tan shadow effect, giving them a three-dimensional appearance. The logo is set against a dark brown background. Above the logo, a thin, light brown line curves across the top. Below the logo, a similar line curves across the middle and then extends downwards as a thin, vertical line that ends in a small teardrop shape.

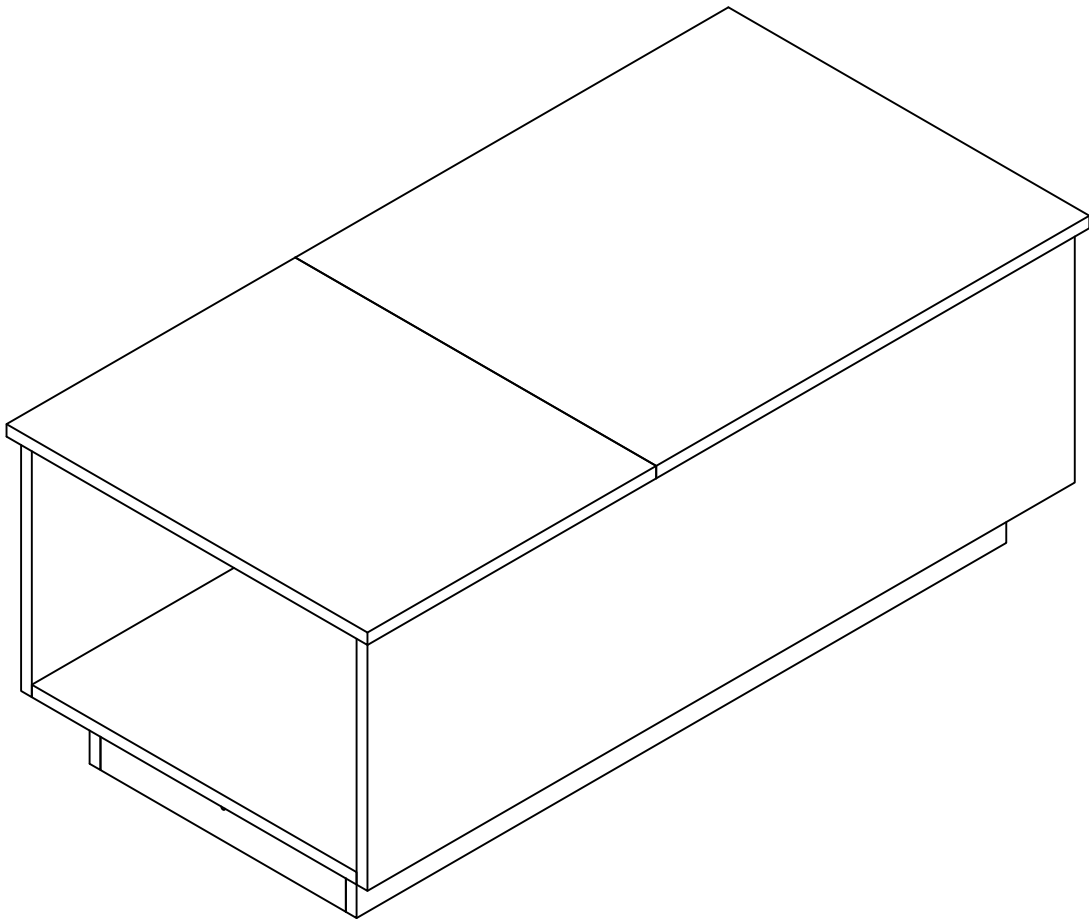
WOODY HOME™

About The Brand

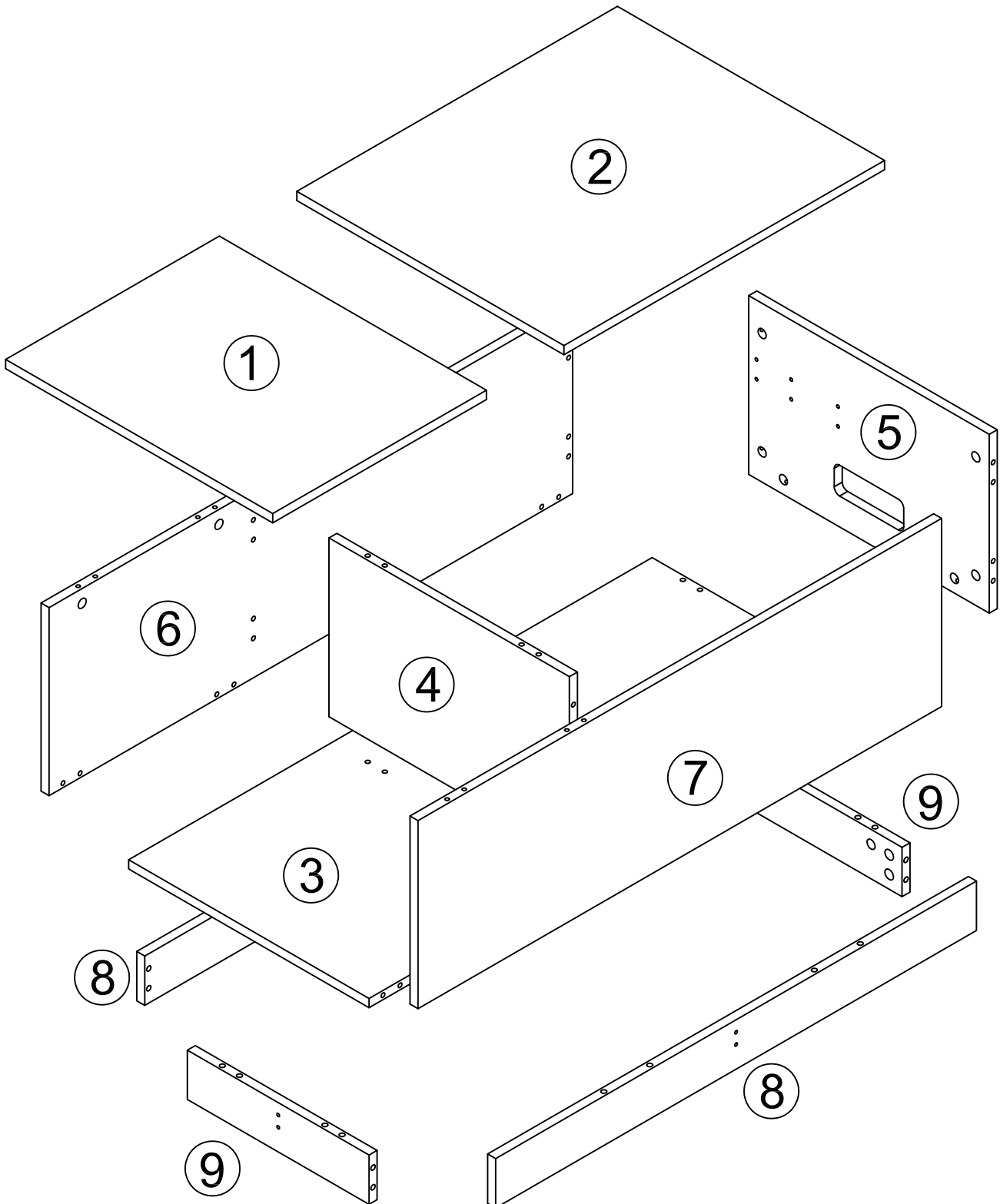
WOODYHOME™ design offers contemporary furniture for today' s shoppers. Clean lines, urban attitude, and popping colors define it' s on-trend look. Crafted with quality, cost-effective apartment essentials.

1

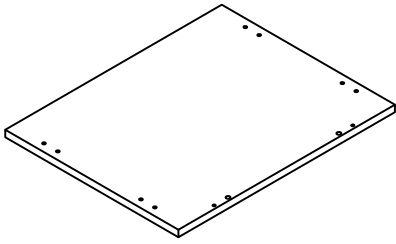
ASSEMBLY INSTRUCTIONS



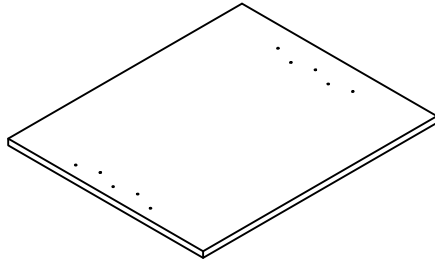
BOARD IDENTIFICATION



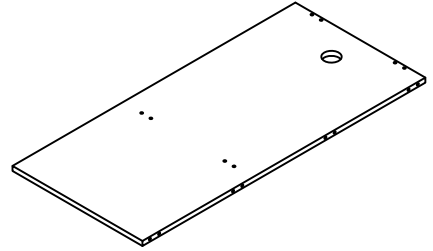
BOARD IDENTIFICATION



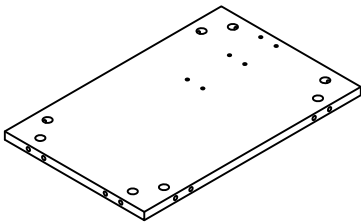
① LEFT MAIN PANE
X1



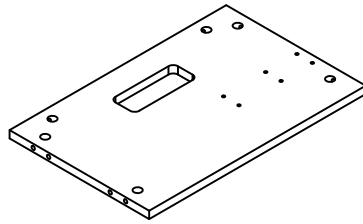
② RIGHT MAIN PANE
X1



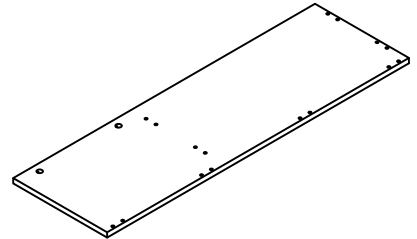
③ BOTTOM
X1



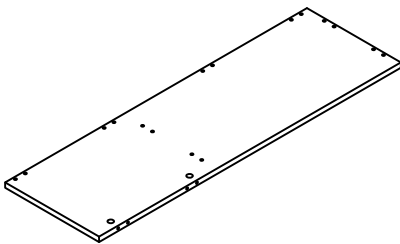
④ MIDDLE SIDE PANEL
X1



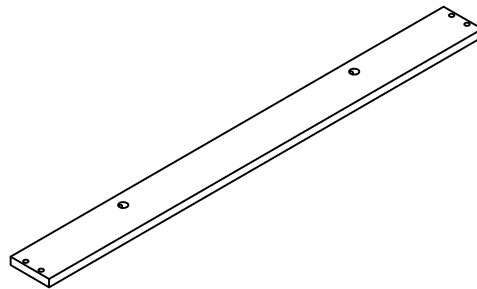
⑤ RIGHT SIDE PANEL
X1



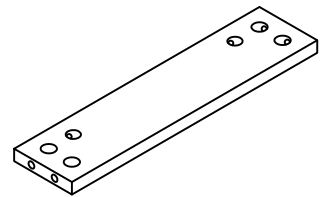
⑥ BACK SIDE PANEL
X1



⑦ FRONT SIDE PANEL
X1

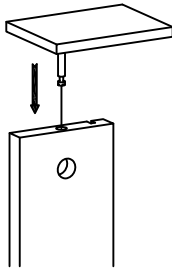


⑧ BASE FRONT&BACK PANEL
X2

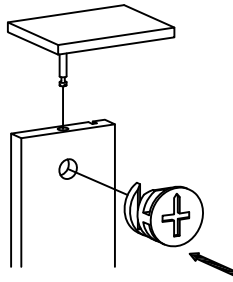


⑨ BASE LEFT&RIGHT PANEL
X2

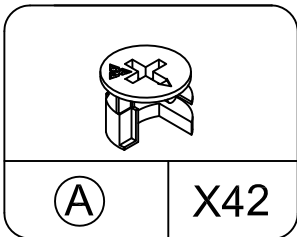
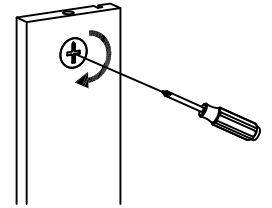
1



2

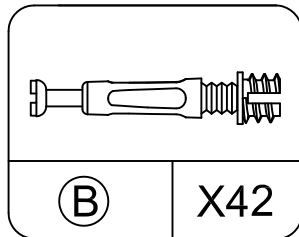


3



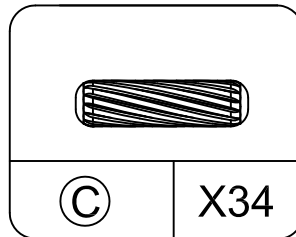
(A) X42

CAM LOCK
F15*11



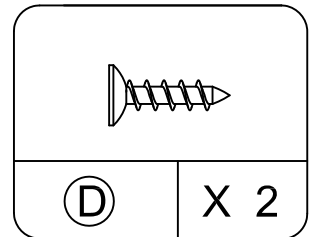
(B) X42

CAM BOLT
F7*31



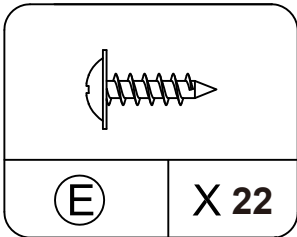
(C) X34

WOOD DOWEL
F8*30



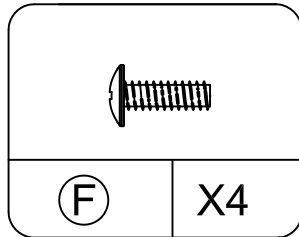
(D) X 2

SCREW
F3.5*12



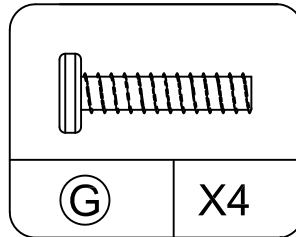
(E) X 22

SCREW
F3.5*12



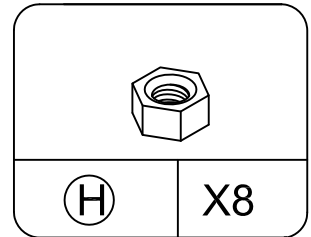
(F) X4

BOLT
F6*12



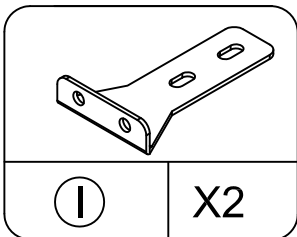
(G) X4

BOLT
F6*25



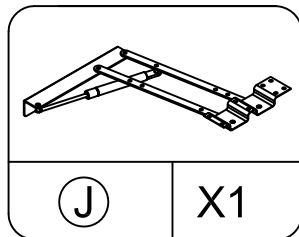
(H) X8

NUT



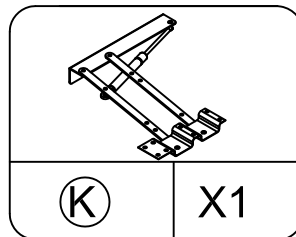
(I) X2

METAL PLATE



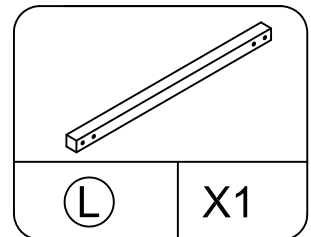
(J) X1

LEFT LIFTINGFRAME



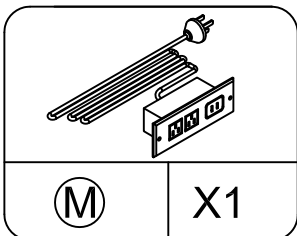
(K) X1

RIGHT LIFTINGFRAME



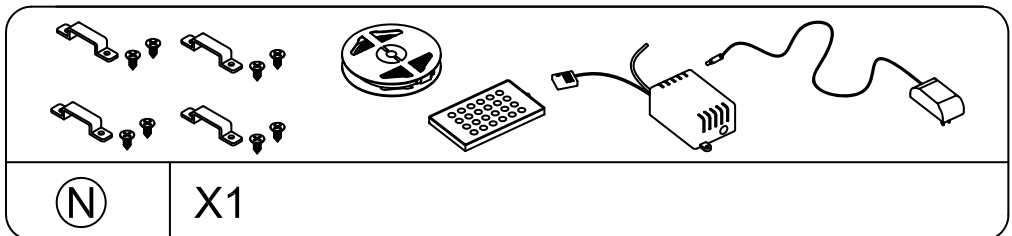
(L) X1

SQUARE TUBE



(M) X1

SOCKET

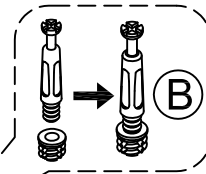
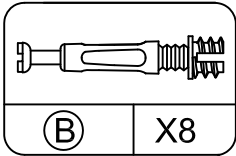


(N) X1

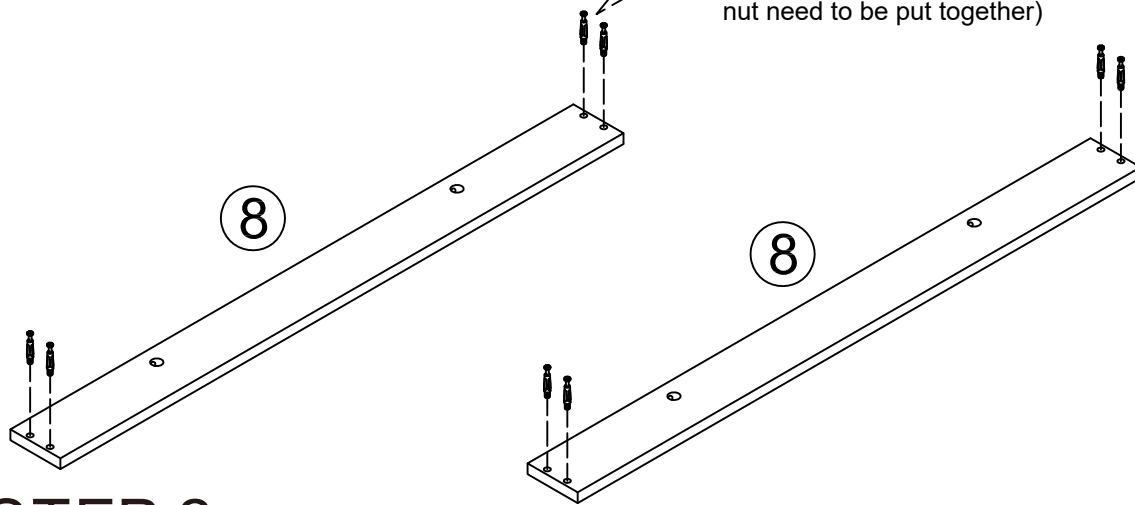
LIGHT STRIP

STEP 1

- Screw cam bolts (B) into panel (8) as below shown.

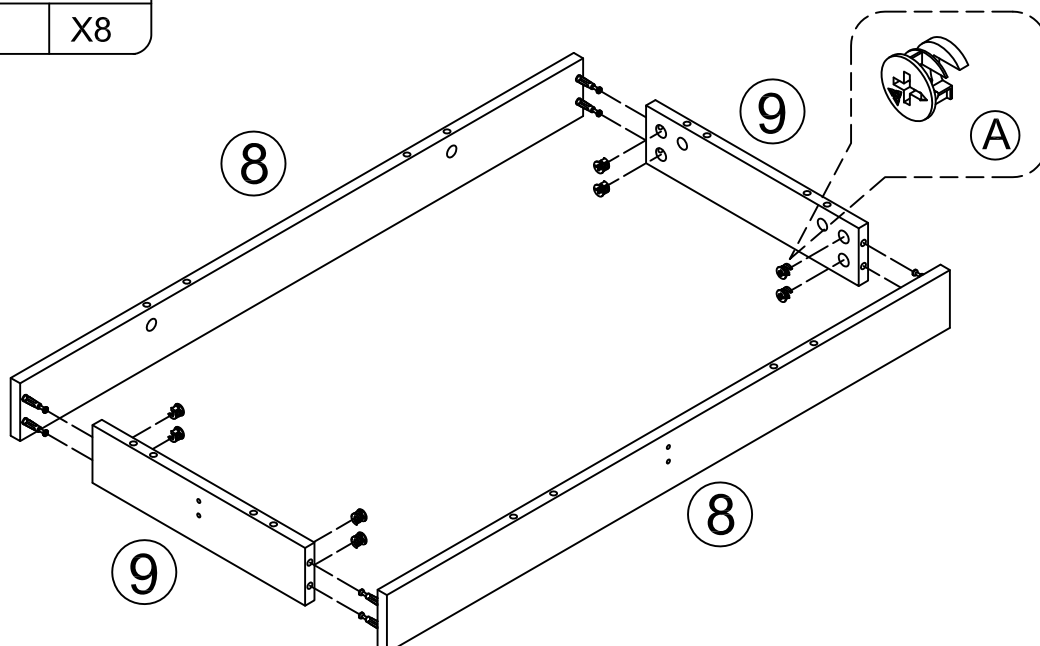
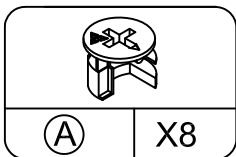


(Attention: Cam bolt & Insert nut need to be put together)



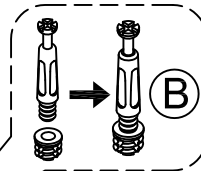
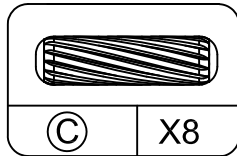
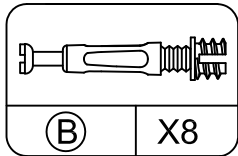
STEP 2

- Attach panel (8) to (9) with cam locks (A).

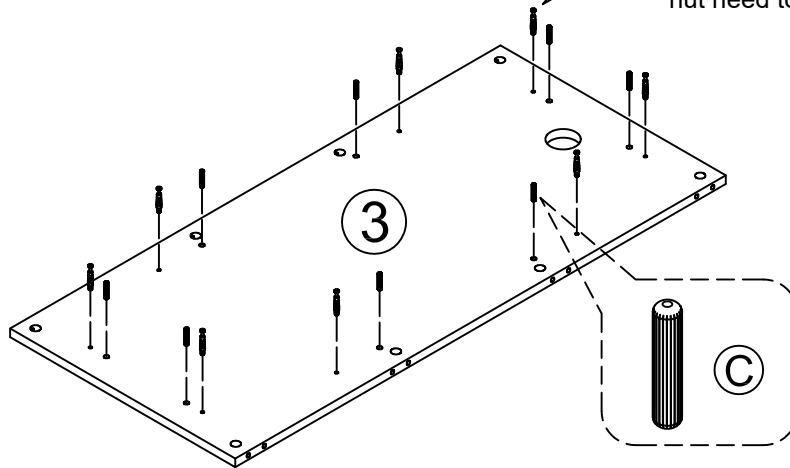


STEP 3

- Screw cam bolts (B) into panel (3) as below shown.
- Insert wood dowels (C) into panel (3) as shown in the picture.

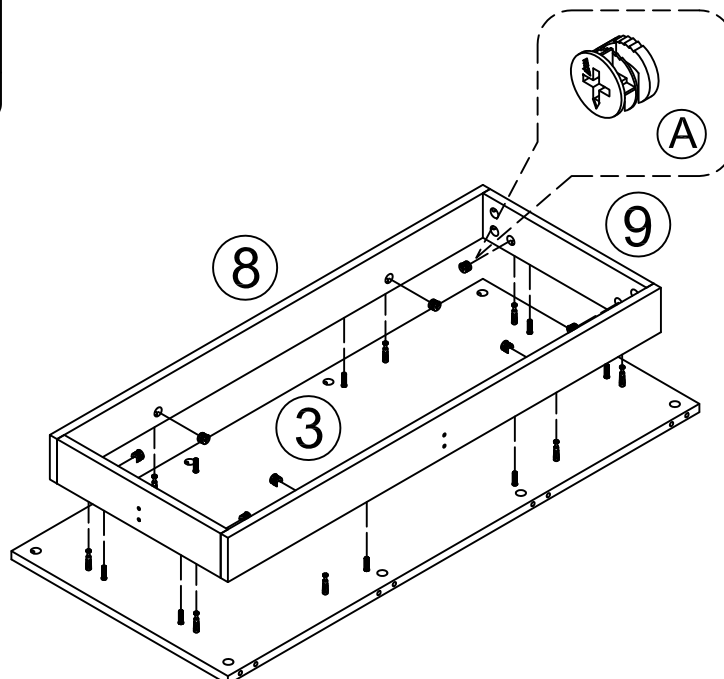
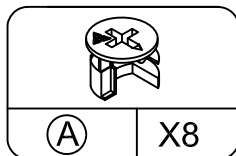


(Attention: Cam bolt & Insert nut need to be put together)



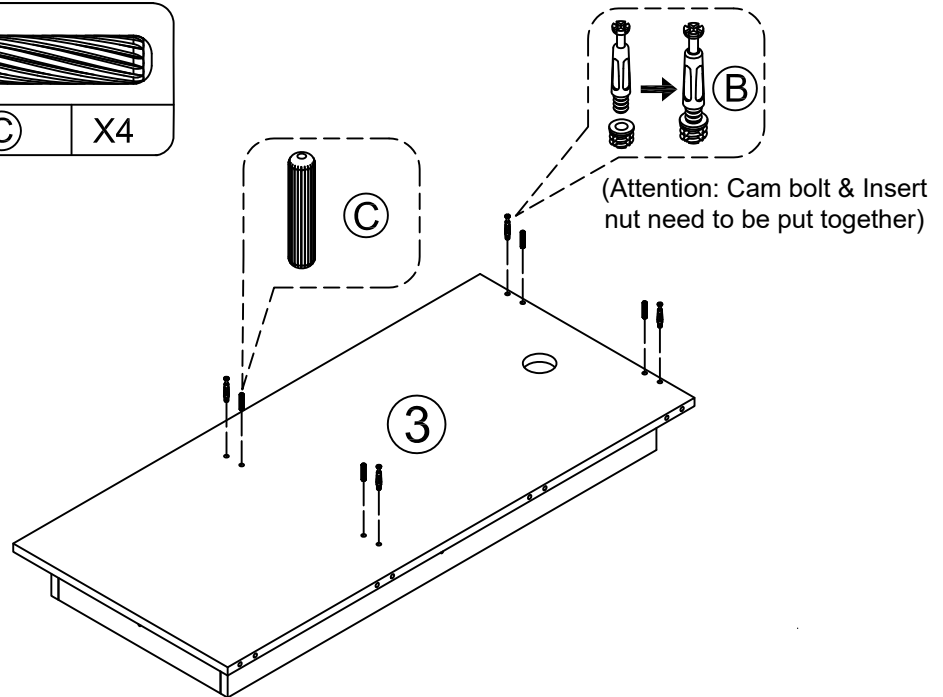
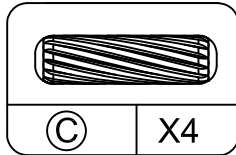
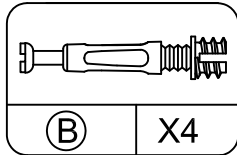
STEP 4

- Attach panel (8) & (9) to (3) with cam locks (A).



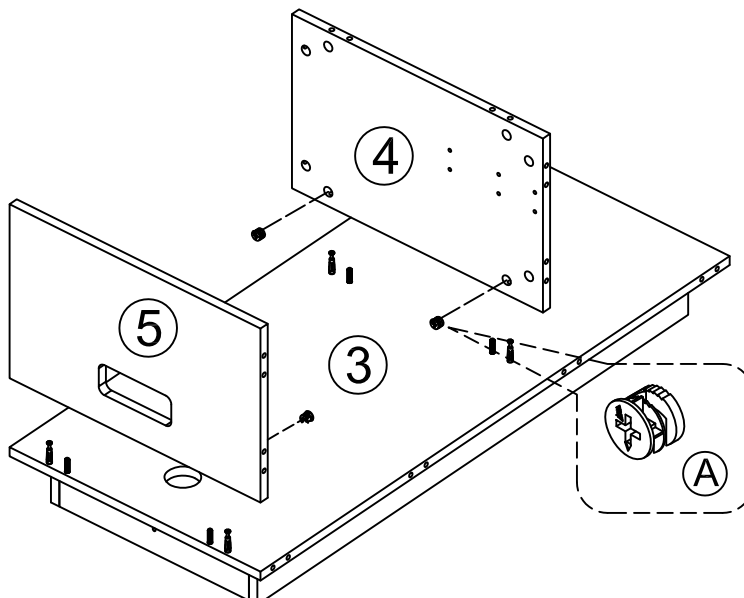
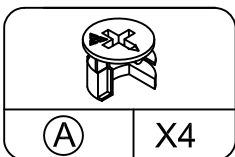
STEP 5

- Screw cam bolts (B) into panel (3) as below shown.
- Insert wood dowels (C) into panel (3) as shown in the picture.



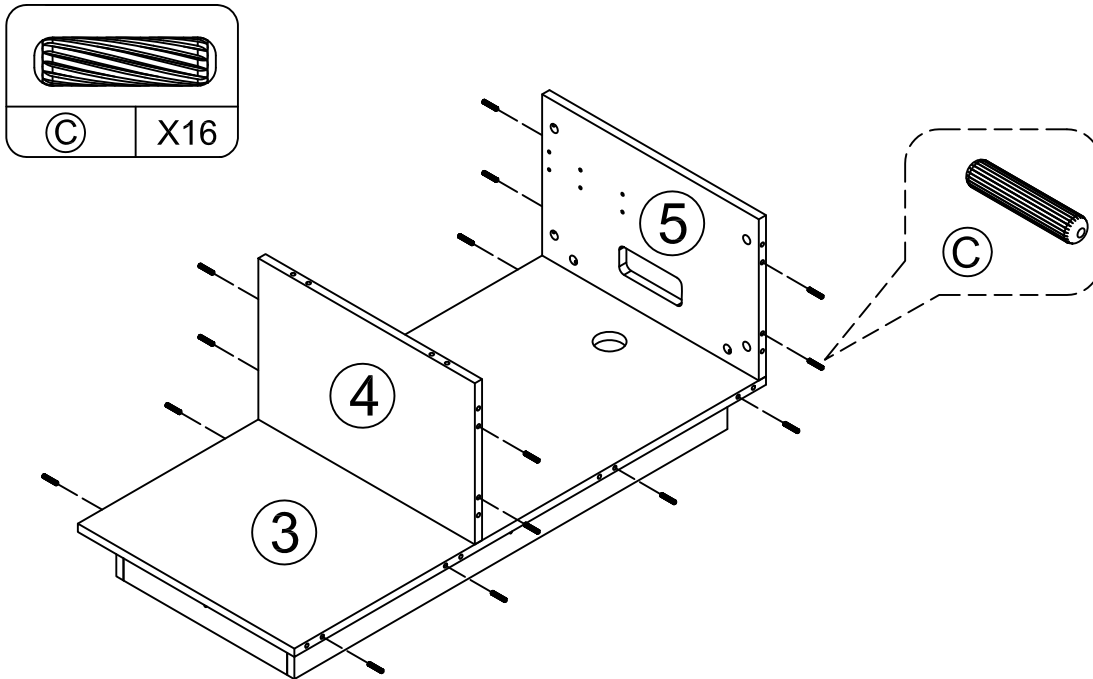
STEP 6

- Attach panel (4) & (5) to (3) with cam locks (A).



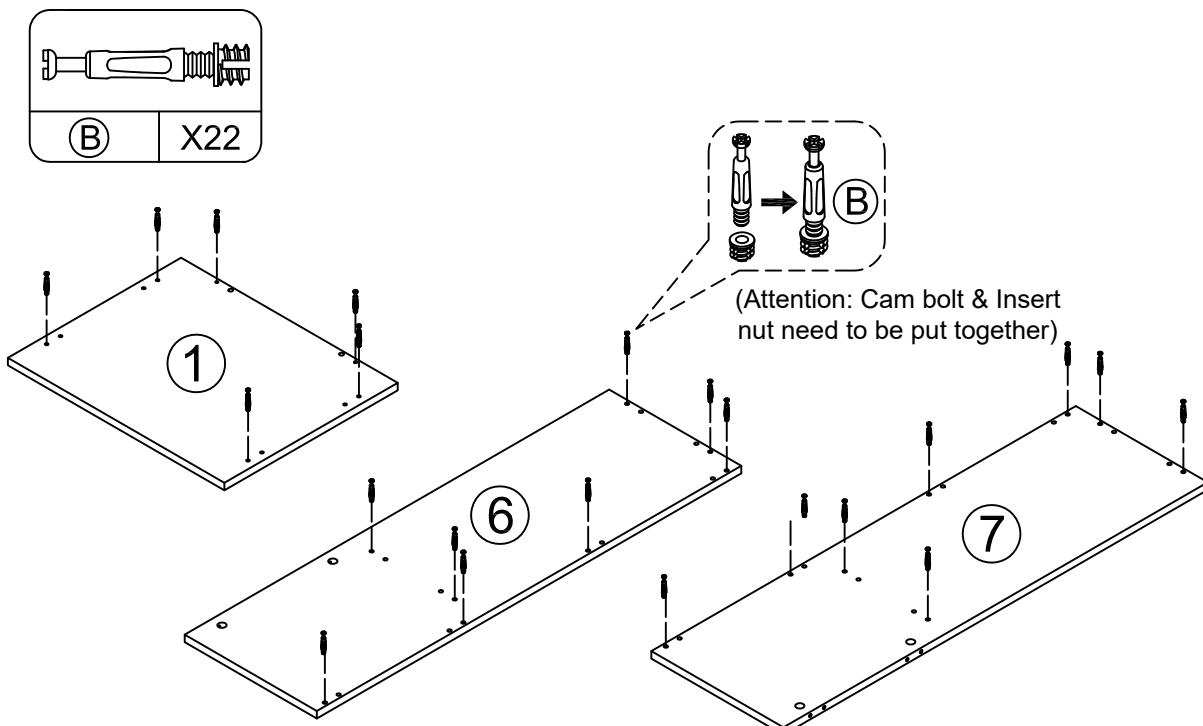
STEP 7

- Insert wood dowels (C) into panel (3) & (4) & (5) as shown in the picture.



STEP 8

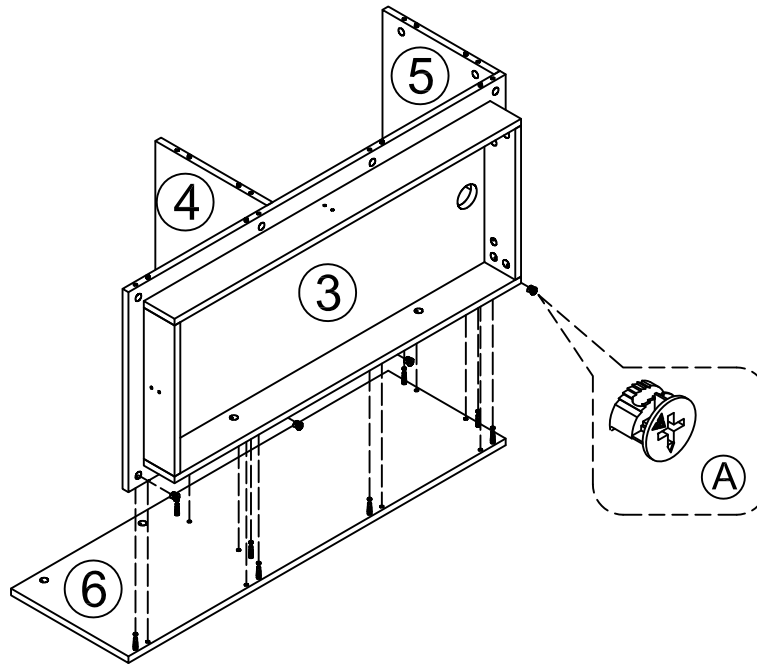
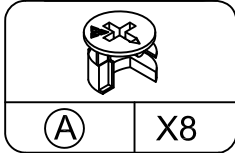
- Screw cam bolts (B) into panel (1) & (6) & (7) as below shown.



9

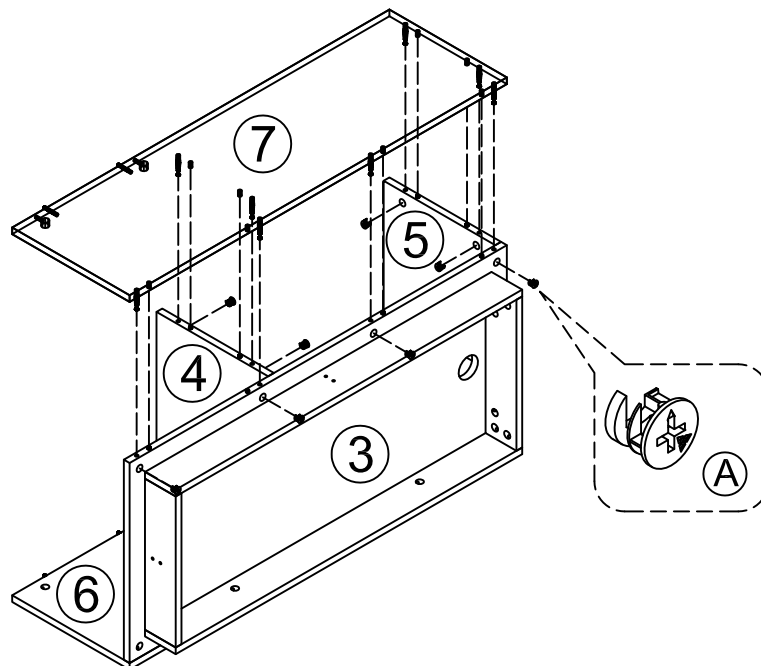
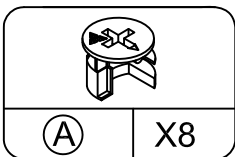
STEP 9

- Attach panel (3) & (4) & (5) to (6) with cam locks (A).



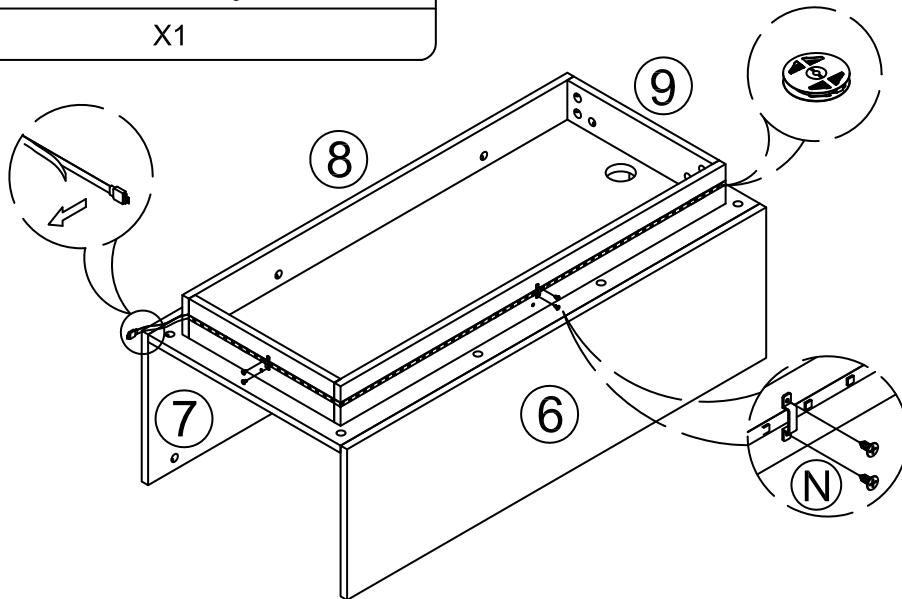
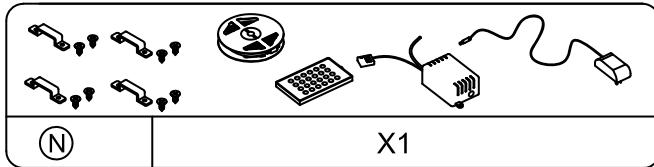
STEP 10

- Attach panel (7) to (3) & (4) & (5) with cam locks (A).



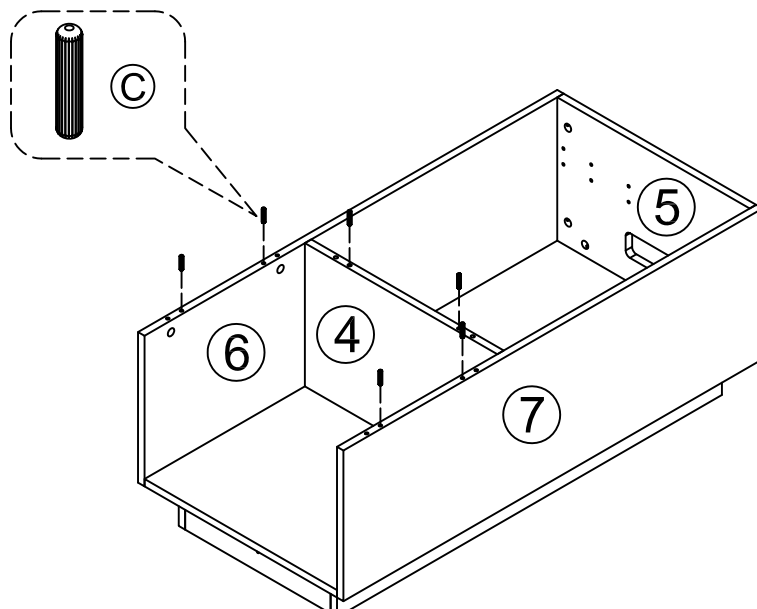
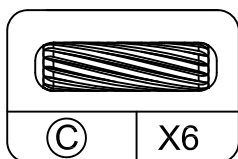
STEP 11

- Stick LED band to the side of the base.
- Fasten the LED band with buckles.



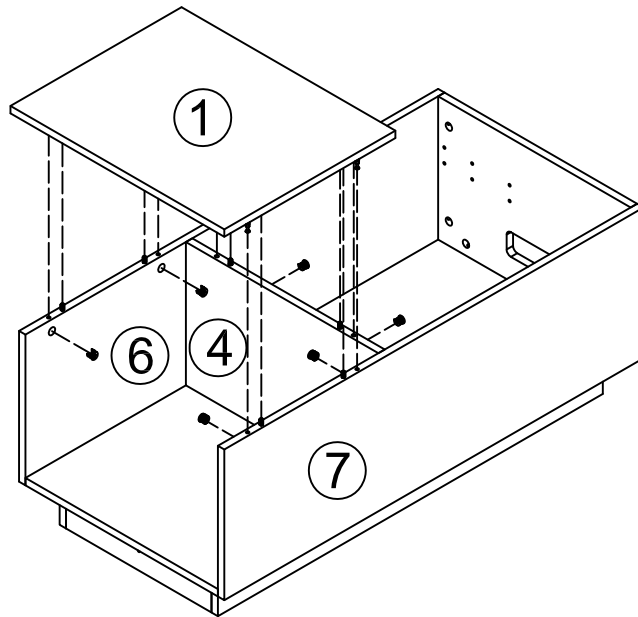
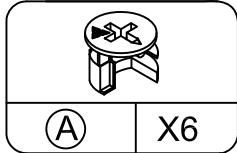
STEP 12

- Insert wood dowels (C) into panel (4) & (6) & (7) as shown in the picture.



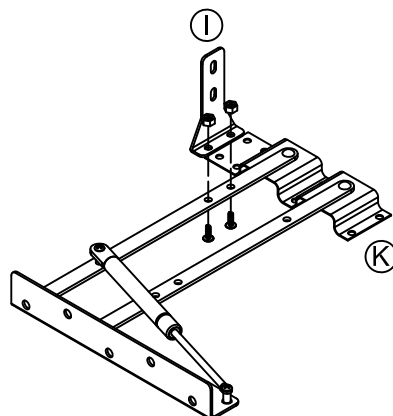
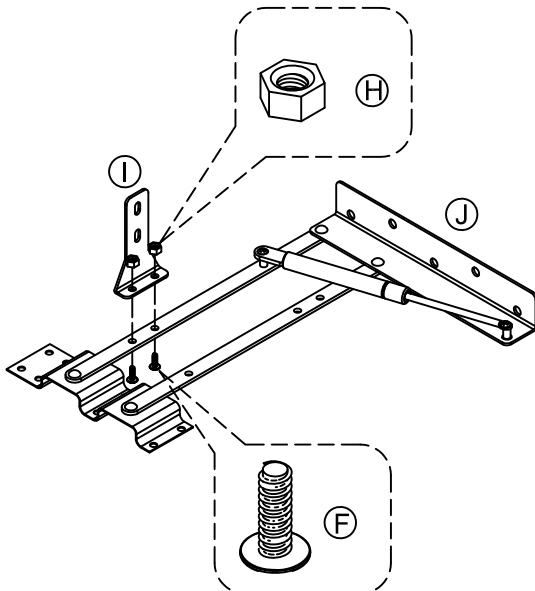
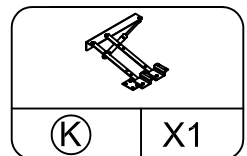
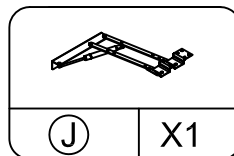
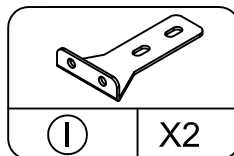
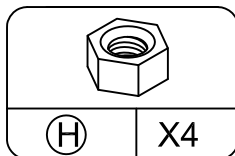
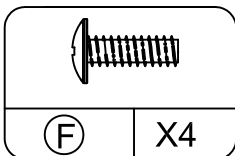
STEP 13

- Attach panel (1) to (4) & (6) & (7) with cam locks (A).



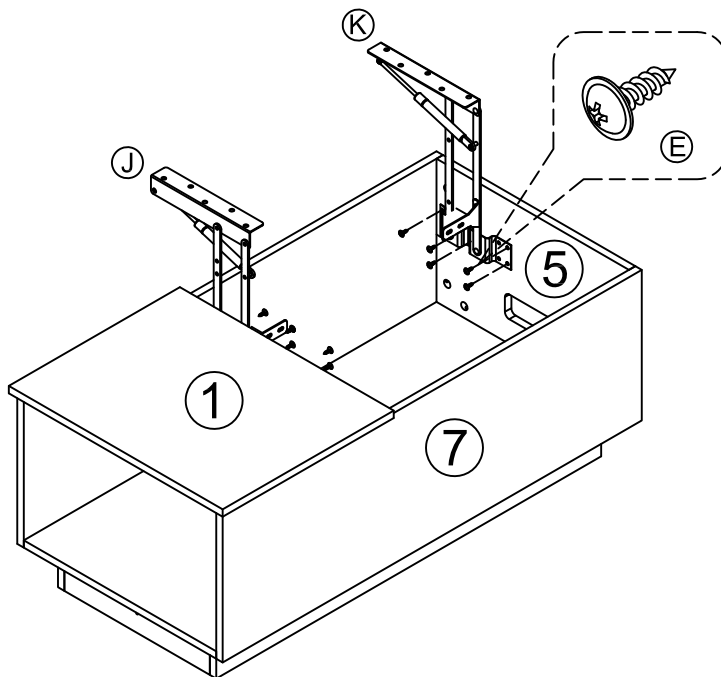
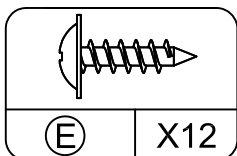
STEP 14

- Attach metal panel (I) to lifting frame (J) & (K) with bolts (F) & (H).



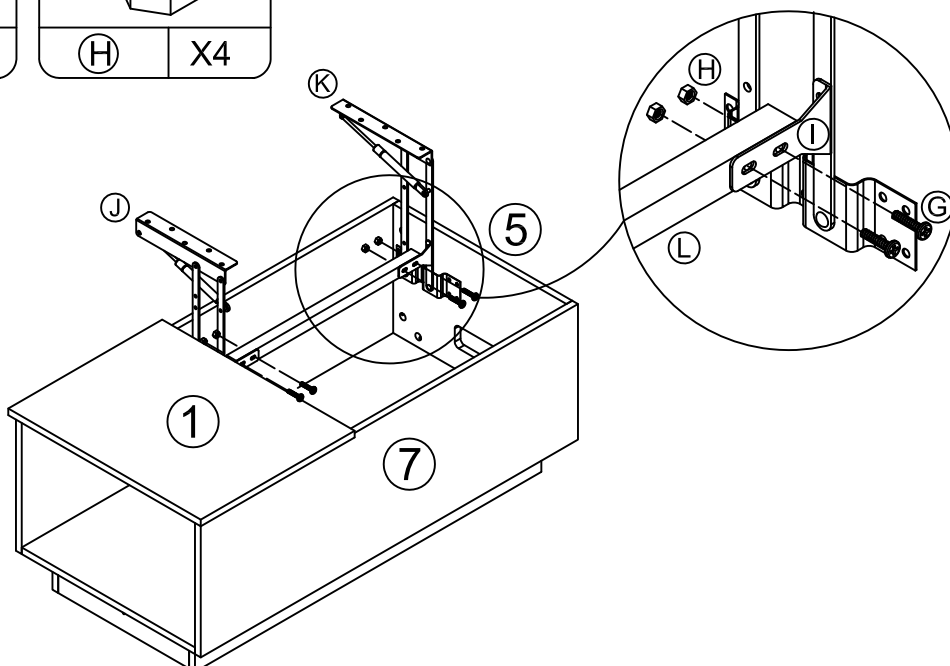
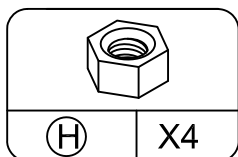
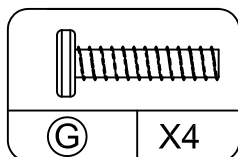
STEP 15

- Attach lifting frame (J) & (K) to panel (4) & (5) with screws(E).



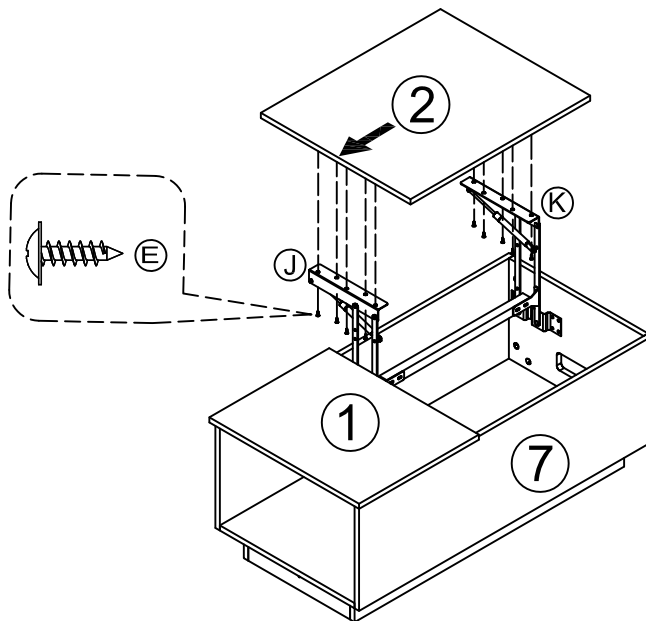
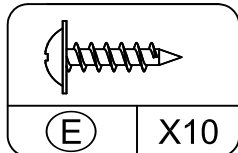
STEP 16

- Attach square tube(L) to metal panel (I) with bolts (G) & (H).



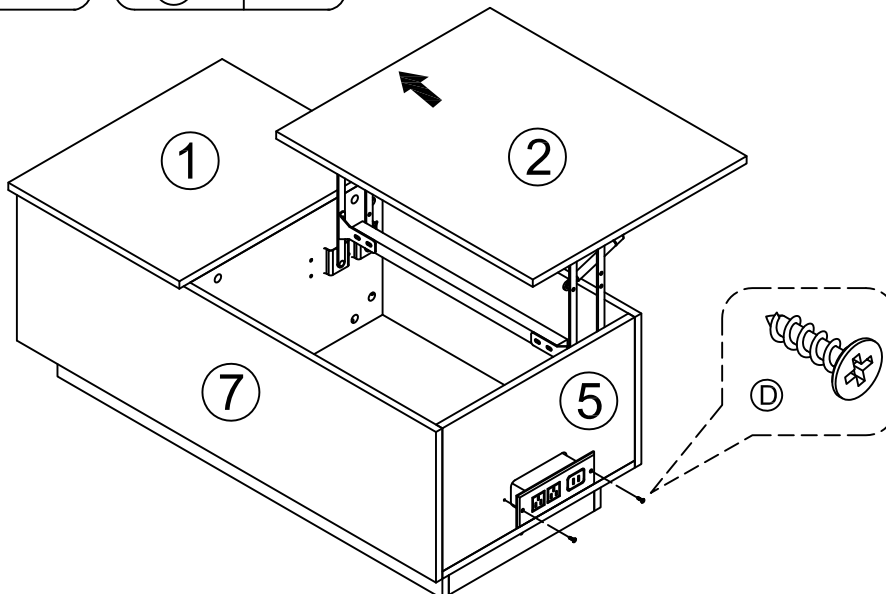
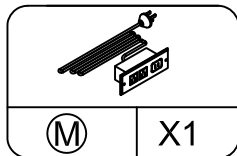
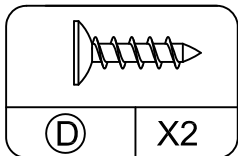
STEP 17

- Attach panel (2) to lifting frame (J) & (K) with screws(E).

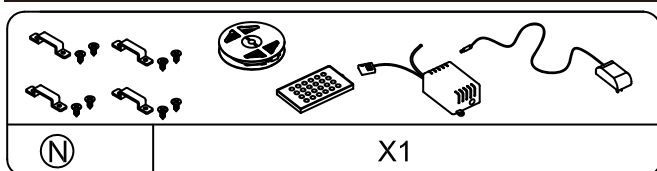


STEP 18

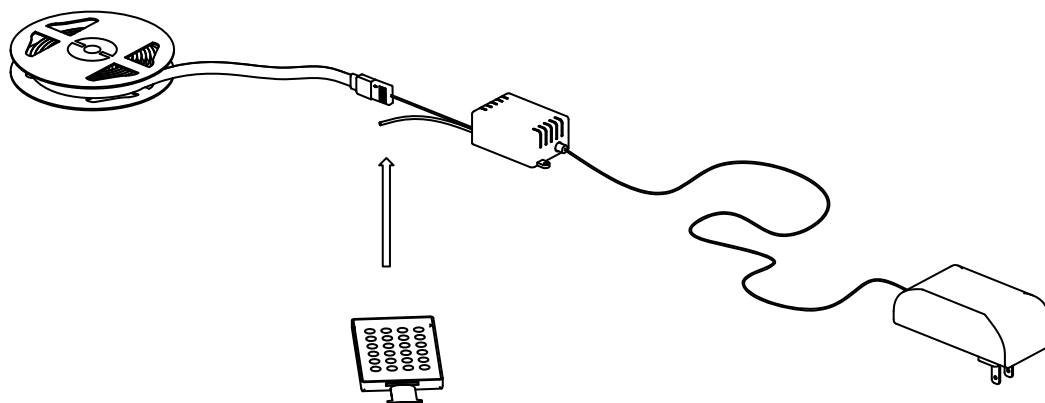
- Attach socket (M) to panel (5) with screws(D).



STEP 19



- Connected pin of LED and power adapter to the RGB control box as below.
- Remove the battery protection pad from remote controller. Align remote controller to the RGB Control box to adjust the color mode. Specifications of battery: cr2025 3v



STEP 20

- Installation complete.

