

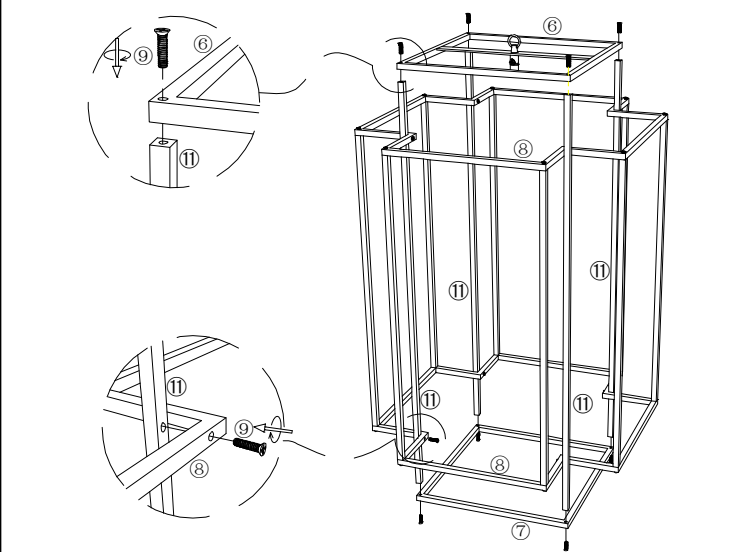
① light fixture 1PCS	⑧ big metal frame 2pcs	⑭ canopy 1pcs		
② light fixture 1PCS		⑮ cap nut 2pcs		
③ light fixture 1PCS	⑨ screw 32pcs	⑯ X 1PCS		
④ cover 1pcs		⑩ short square profile 8pcs		
⑤ end cap 1pcs	⑩ short square profile 8pcs	⑱ X 8PCS		
⑥ small metal frame with ring 1pcs		⑪ long square profile 4pcs		
⑦ small metal frame 1pcs	⑫ hanging tube 3pcs	⑳ X 2PCS		
	⑬ chain 1pcs			

1. Assemble the frame ⑧ and short profile ⑩ to be a complete frame with screw ⑨. (don't tighten the screw ⑨ until all screws are ready in the holes, rotate to fasten the screw ⑨ at last)

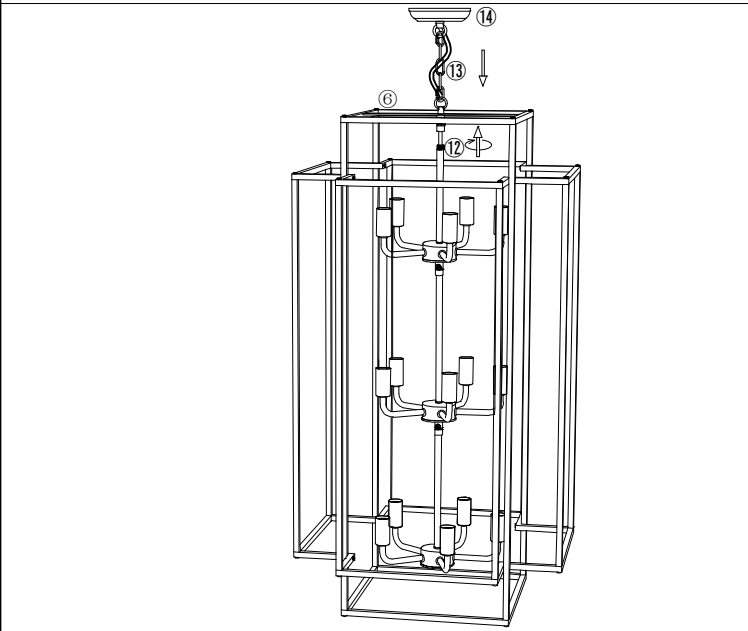
4. Push the bulb holder 90 degree upwards, make it straight.

5. Rotate the end cap ⑤ to remove out the end cap ⑤ and cover ④ from fixture ③.

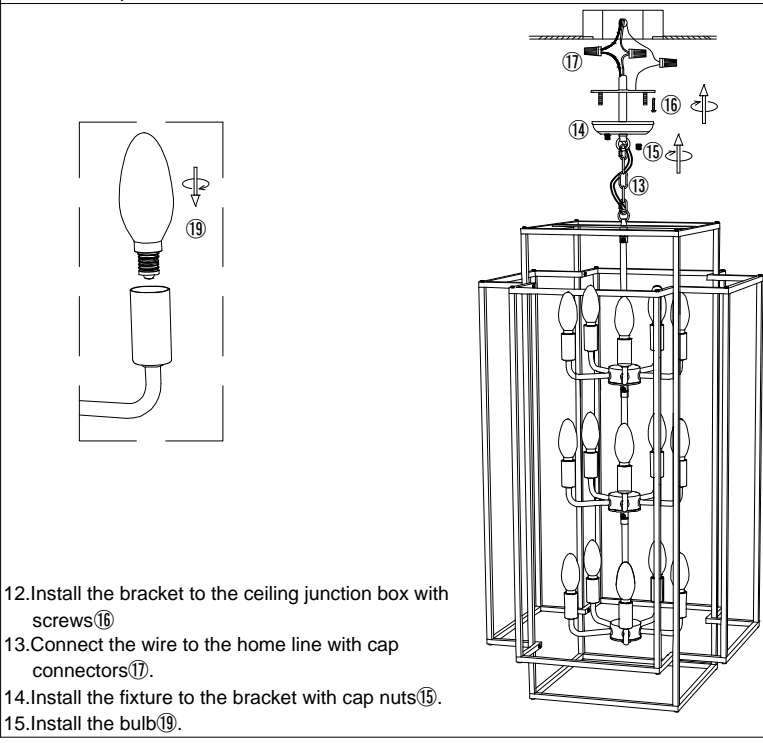
6. Let the main wire of the fixture ① go up through tube ⑫, rotate to fasten the tube ⑫ to fixture ①.  
 7. The external wire of fixture ① go down through tube ⑫ and fixture ②, connect all wires by parallel with cap connectors (all live line-L use one connector, and neutral Line-N use another connector).  
 8. Let the external wire of fixture ② go down through cover ④, universal joint ⑱ and tube ⑫, close the cover ④ to the fixture ② with universal joint ⑱, and rotate to install the tube ⑫, fixture ② and fixture ③ together.  
 9. Connect all wires of fixture ③ by parallel with cap connectors (all live line-L use one connector, and neutral Line-N use another connector), close cover ④ to the fixture ③ with end cap ⑤.



2. Install the long profile ⑪ to the metal frame ⑧ with screw ⑨. (please don't tighten the screws ⑨ at this step)  
 3. Install the metal frame ⑥ (with ring) and metal frame ⑦ to the frame ⑧ up and down with screw ⑨, adjust frame straight and rotate to fasten the all screws ⑨ at last.



10. Let the main wire of the light fixture go through the ring of frame, rotate to install the the fixture to the frame.  
 11. Hang the canopy ⑭ to the light fixture by chain ⑬, let the wire go through the chain ⑬ and canopy ⑭.



12. Install the bracket to the ceiling junction box with screws ⑯  
 13. Connect the wire to the home line with cap connectors ⑰.  
 14. Install the fixture to the bracket with cap nuts ⑮.  
 15. Install the bulb ⑲.

**Please read carefully before installation!!!**  
**Note : Please make sure that the electricity is powered off during installation !**  
**Only a professional electrician should install this kind of product !**