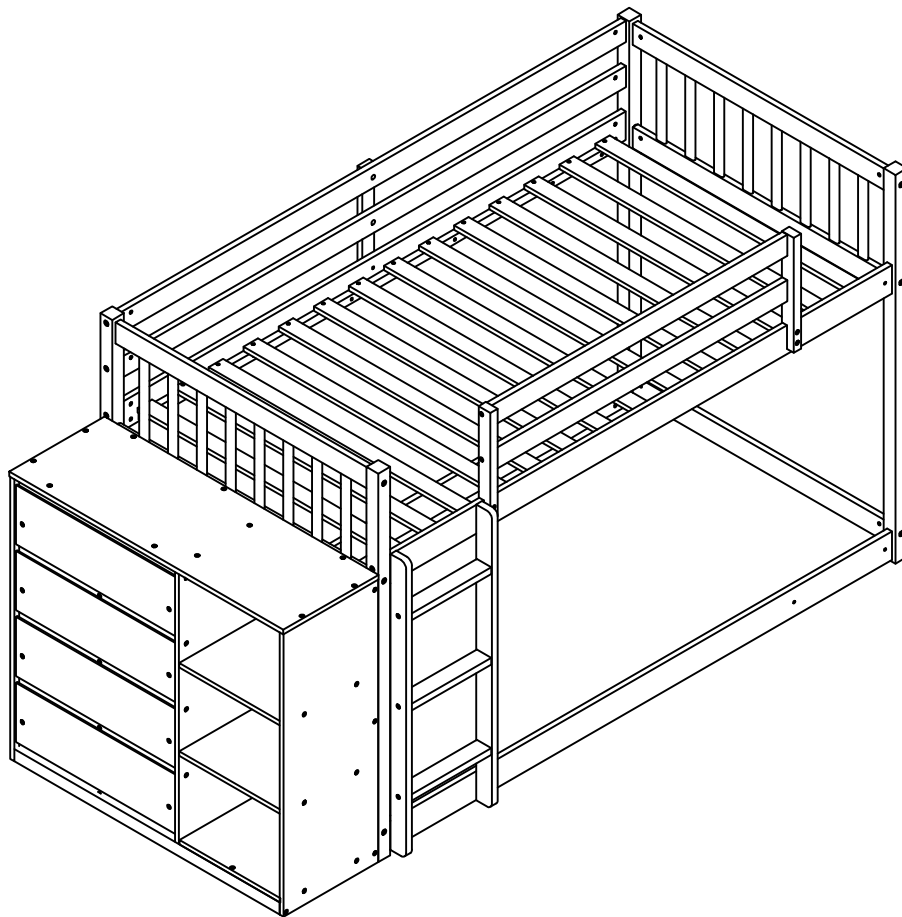


ASSEMBLY INSTRUCTIONS

TWIN FLOOR BUNK WITH SHELVES





SAFETY WARNING



1. This bed is designed for use only mattress (es) meeting the following specifications on the upper bunk, and lower bunk:

Upper bunk (Bunk bed and tribed included)

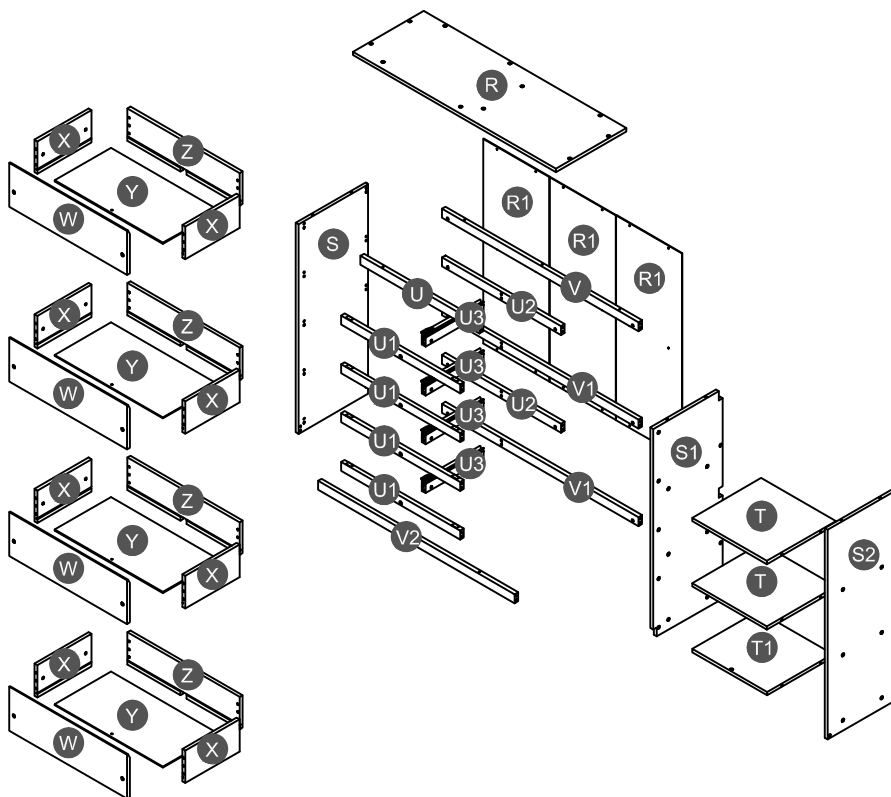
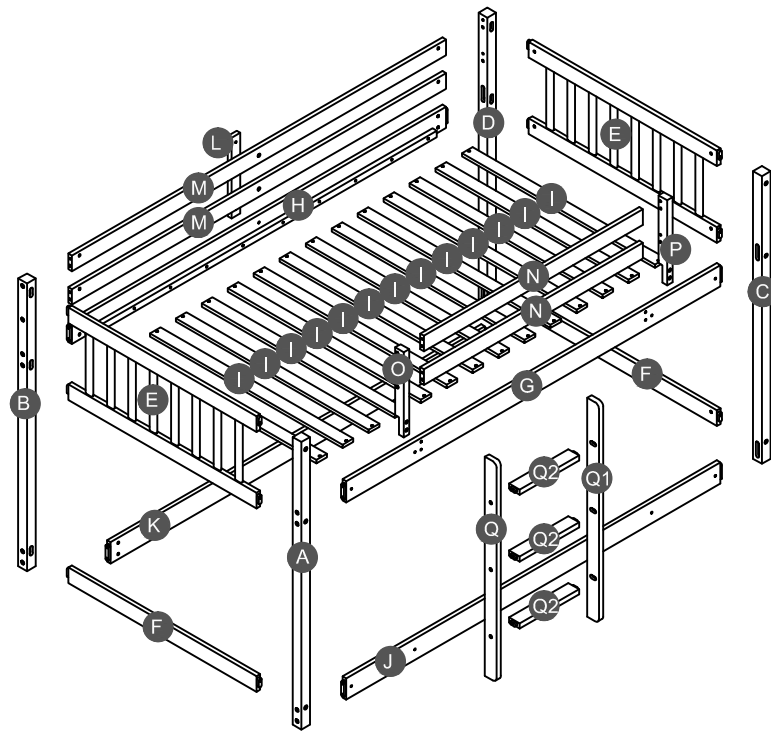
Bed type	Length	Width	Thickness
Twin Standard	74"-75"	38 1/2"	6" max

Lower bunk

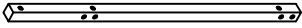
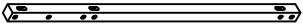
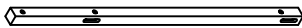
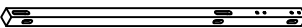
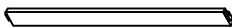
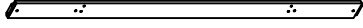

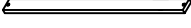
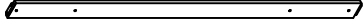
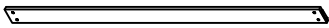
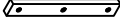
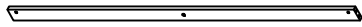
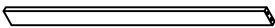
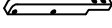
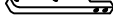

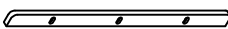
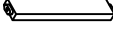
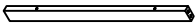
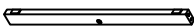



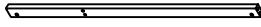

Bed type	Length	Width	Thickness
Twin Standard	74"-75"	38 1/2"	8"

2. Replacement parts, including additional guardrails, maybe obtained from any of our (GIGACLOUD TECHNOLOGY (USA) INC . 18961 ARENTH AVENUE, CITY OF INDUSTRY , CA, 91748.) dealers
3. Follow the information on the warnings appearing on the upper bunk bed end structure and on the carton. Do not remove warning label from bed.
4. Always use the recommended size mattresses or mattress supports, or both, to help prevent the likelihood of entrapment or falls.
5. Surface of mattress must be at least 5" (127mm) below the upper edge of guardrails.
6. Do not allow children under 6 years of age to use the upper bunk.
7. Periodically check and ensure that the guardrail, ladder, and other components are in their proper position, free from damage, and that all connectors are tight.
8. Do not allow horseplay on or under the bed and prohibit jumping on the bed.
9. Always use the ladder for entering and leaving the upper bunk.
10. Do not use substitute part. Contact the manufacture or dealer for replacement part.
11. Use of a night light may provide added safety precaution for a child using the upper bunk.
12. Always use guardrails on both long sides of the upper bunk. If the bunk bed will be placed next to the wall, the guardrail that runs the full length of the bed should be placed against the wall to prevent entrapment between the bed and wall.
13. The use of water or sleep flotation mattresses is prohibited.
14. STRANGULATION HAZARD - Never attach or hang items to any part of the bunk bed that are not designed for use with the bed; for example, but not limited to, hook, belts and jump ropes.
15. Keep these instruction for future reference.
16. Prohibit more than one person on upper bunk
17. We recommend assembling your bunk bed on the shipping carton to protect your floor or carpet.
18. Be certain all staples are out of the box before beginning assembly on the shipping carton.

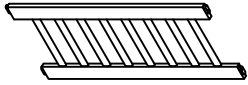

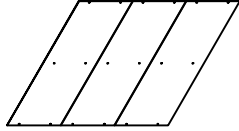


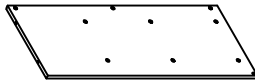
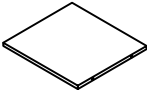
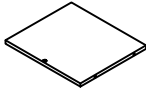
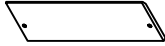
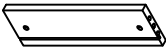

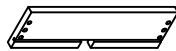
Detail View





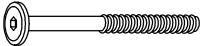






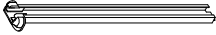

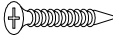
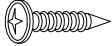

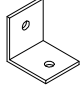

Part List

<p>A</p>  <p>Leg (Left Front) - 1pc</p>	<p>B</p>  <p>Leg (Left Back) - 1pc</p>	<p>C</p>  <p>Leg (Right Front) - 1pc</p>
<p>D</p>  <p>Leg (Right Back) - 1pc</p>	<p>F</p>  <p>Horizontal bar - 2pcs</p>	<p>G</p>  <p>Upper side rail (front) -1pc</p>
<p>H</p>  <p>Upper side rail (back) -1pc</p>	<p>I</p>  <p>Slat - 14pcs</p>	<p>J</p>  <p>Lower side rail (front) -1pc</p>
<p>K</p>  <p>Lower side rail (back) -1pc</p>	<p>L</p>  <p>Vertical guard rail - 1pc</p>	<p>M</p>  <p>Long guard rail - 2pcs</p>
<p>N</p>  <p>Short guard rail - 2pcs</p>	<p>O</p>  <p>Support guard rail(Left) - 1pc</p>	<p>P</p>  <p>Support guard rail(Right) -1pc</p>
<p>Q</p>  <p>Left side ladder - 1pc</p>	<p>Q1</p>  <p>Right side ladder - 1pc</p>	<p>Q2</p>  <p>Step ladder - 3pcs</p>
<p>U</p>  <p>Horizontal bar - 1pc</p>	<p>U1</p>  <p>Horizontal bar - 4pcs</p>	<p>U2</p>  <p>Horizontal bar - 2pcs</p>
<p>U3</p>  <p>Support drawer - 4pcs</p>	<p>V</p>  <p>Horizontal bar - 1pc</p>	<p>V1</p>  <p>Horizontal bar - 2pcs</p>
<p>V2</p>  <p>Horizontal bar - 1pc</p>		

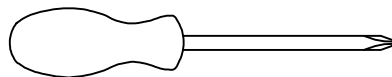
Part List

<p>E</p>  <p>Frame HB-FB - 2pcs</p>	<p>R</p>  <p>Top panel - 1pc</p>	<p>R1</p>  <p>Back panel - 3pcs</p>
<p>S</p>  <p>Left side panel - 1pc</p>	<p>S1</p>  <p>Divider panel - 1pc</p>	<p>S2</p>  <p>Right side panel - 1pc</p>
<p>T</p>  <p>Shelf panel - 2pcs</p>	<p>T1</p>  <p>Bottom panel - 1pc</p>	<p>W</p>  <p>Front drawer panel - 4pcs</p>
<p>X</p>  <p>Left / right drawer panel - 8pcs</p>	<p>Y</p>  <p>Drawer bottom - 4pcs</p>	<p>Z</p>  <p>Back drawer panel - 4pcs</p>

Hardware List

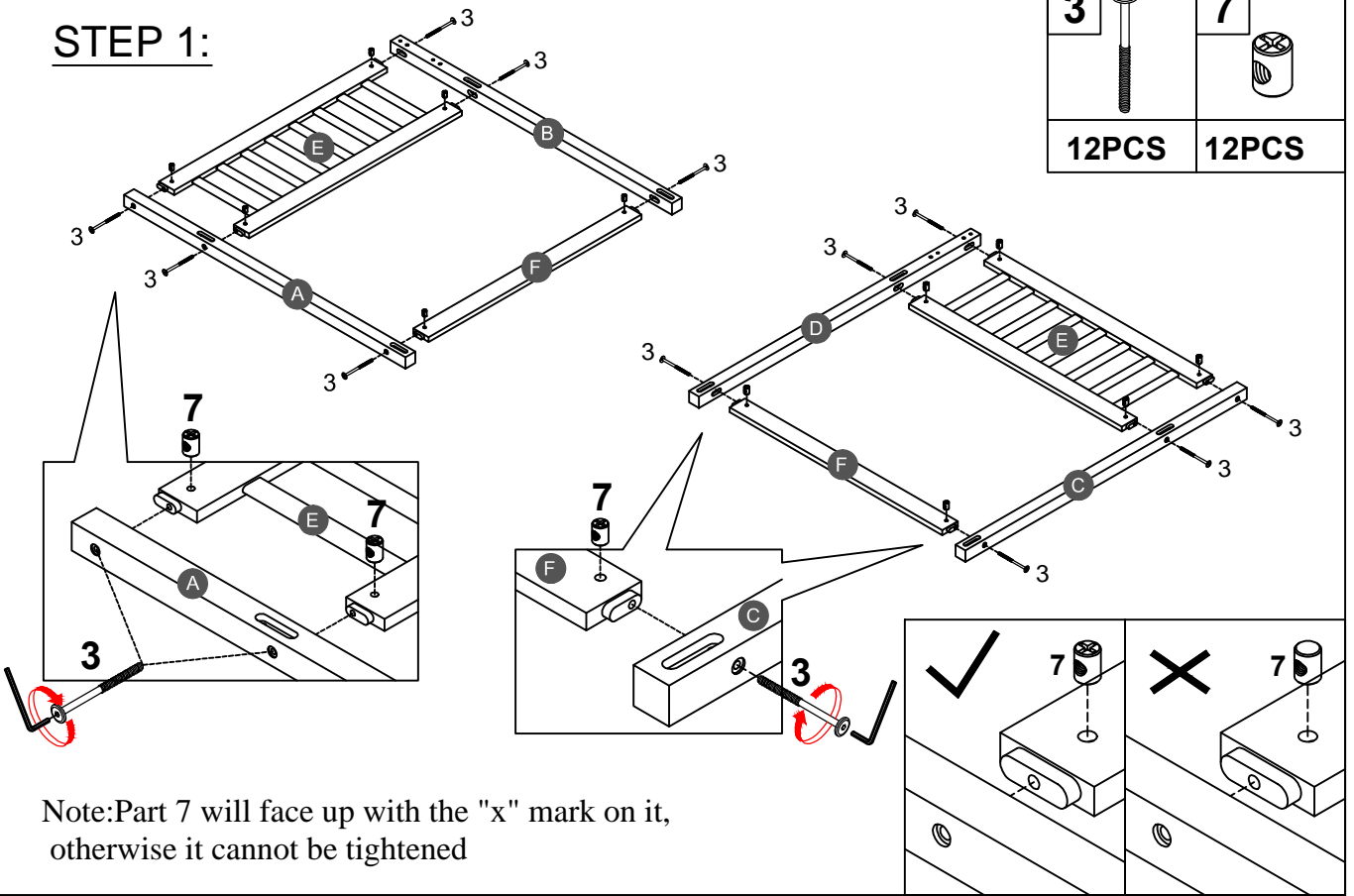
1  Ø8*30mm Wood dowel (54pcs)	2  (Ø15)1/4"*100mm Hex-Head bolts (20pcs)	3  (Ø15)1/4"*80mm Hex-Head bolts (16pcs)
4  (Ø12)1/4"*60mm Hex-Head bolts (70pcs)	5  (Ø12)1/4"*35mm Hex-Head bolts (4pcs)	6  (Ø12)1/4"*30mm Hex-Head bolts (3pcs)
7  1/4"*15 (9.5mm) Horizontal-Hole bolts(106pcs)	8  (Ø12)1/4"*40mm Hex-Head bolts (6pcs)	9  (1/4")4.5*58mm Allen key (1pc)
10  295*30mm Upper slider drawer (4pcs)	11  Ø3.5*12mm Wood screws (12pcs)	12  Ø4*30mm Wood screws (28pcs)
13  Ø3.5*15mm Wood screws (22pcs)	14  (Ø12)1/4"*40mm Hex-Head bolts (4pcs)	15  24*28*28*2mm Metal bracket (2pcs)
16  Ø10*40mm Wood dowel (8pcs)		

ASSEMBLY TOOLS REQUIRED (NOT INCLUDED)

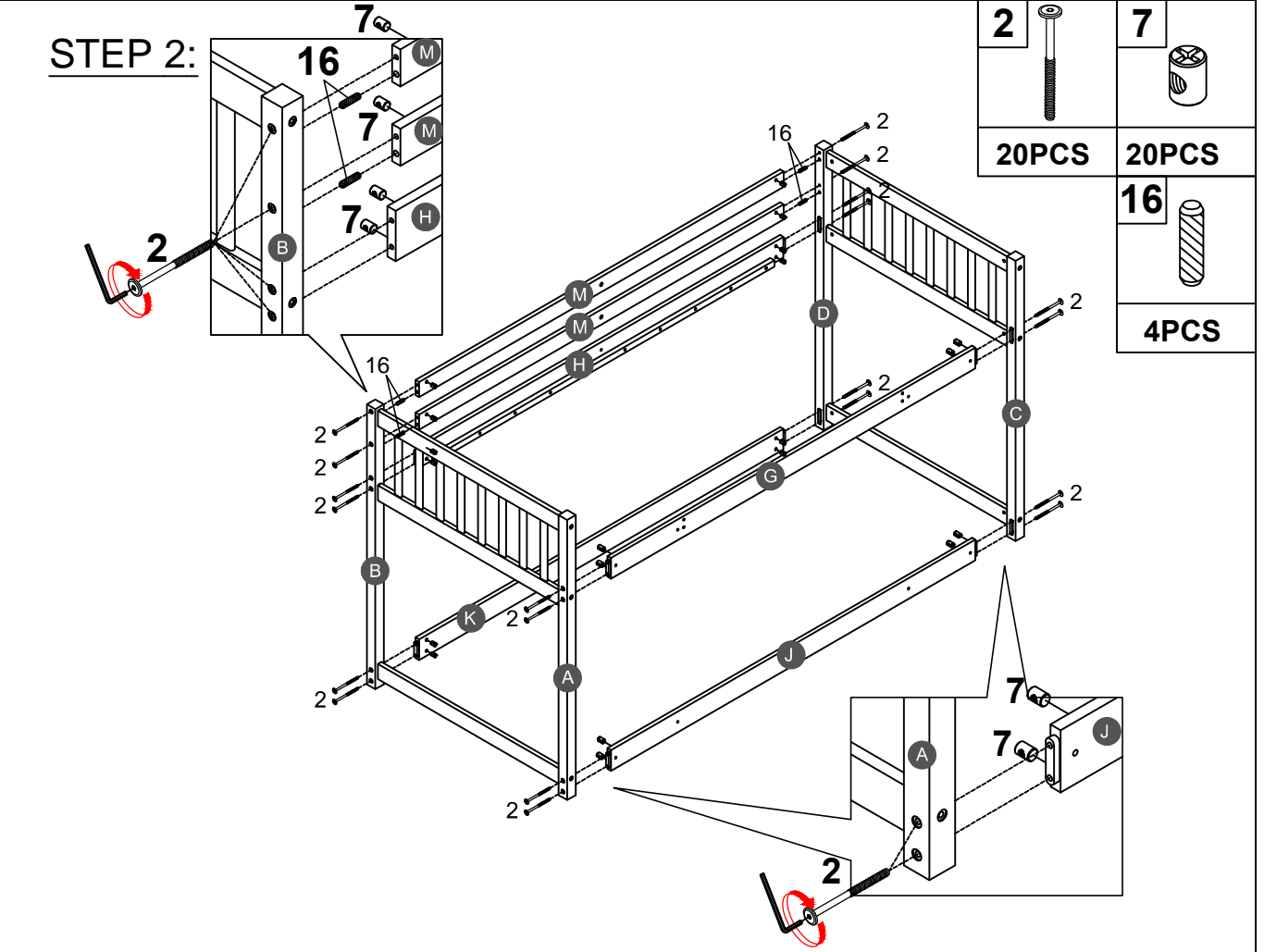


PLEASE BE CAREFUL DO NOT DAMAGE THE HOLE POSITION WHEN YOU USE POWER TOOLS !

STEP 1:



STEP 2:

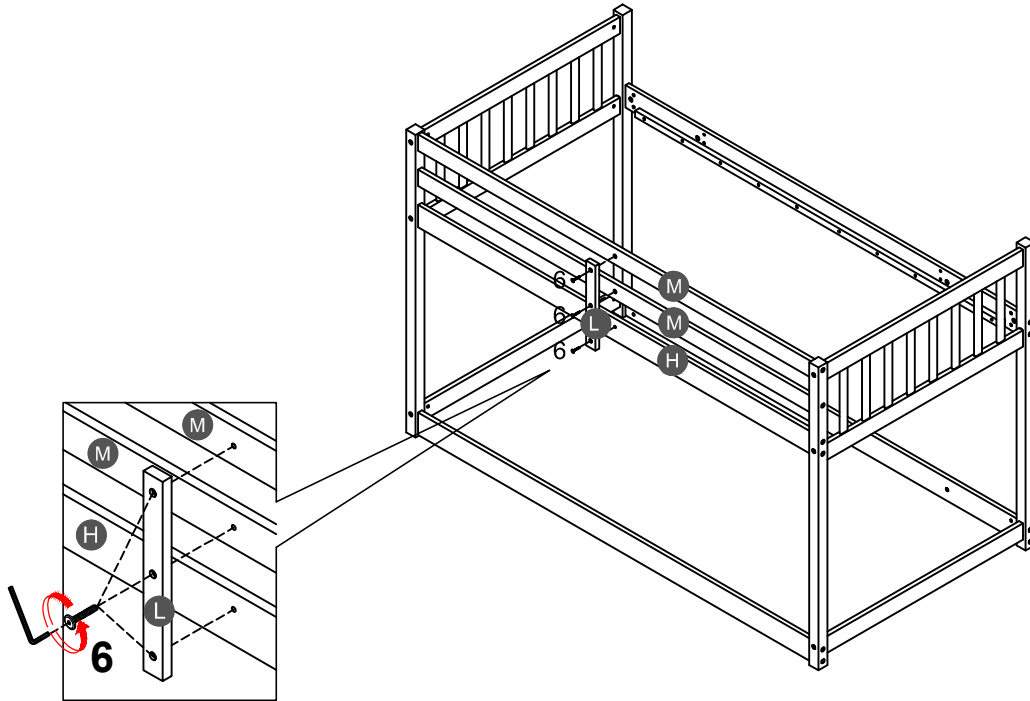


STEP 3:

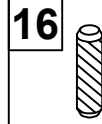
6



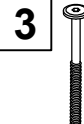
3PCS



STEP 4:



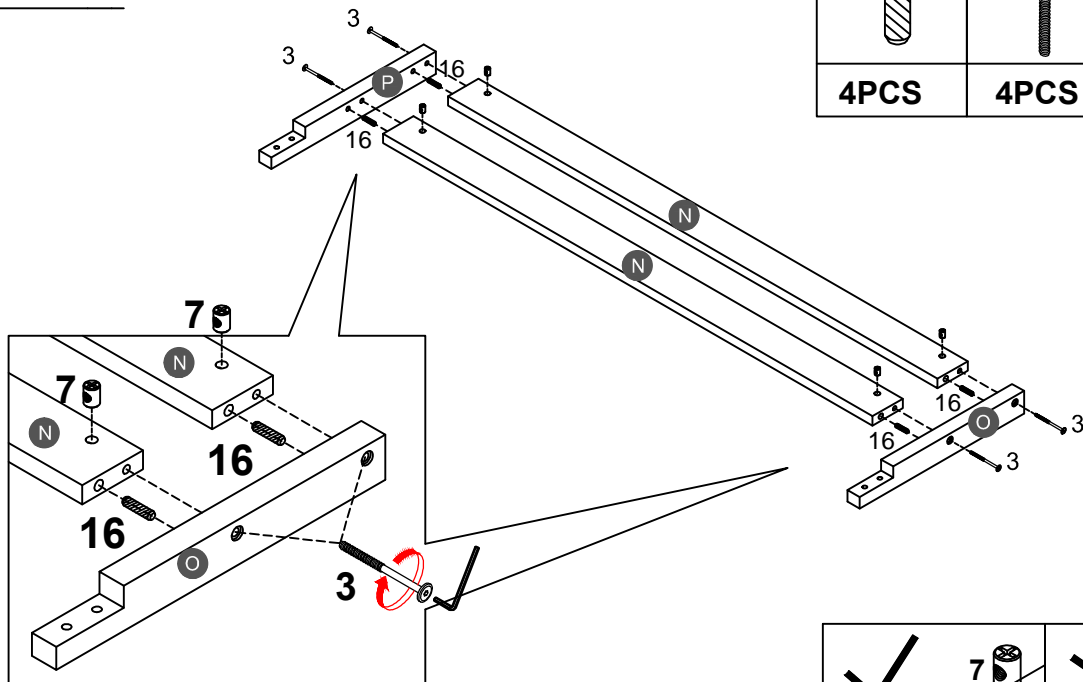
4PCS



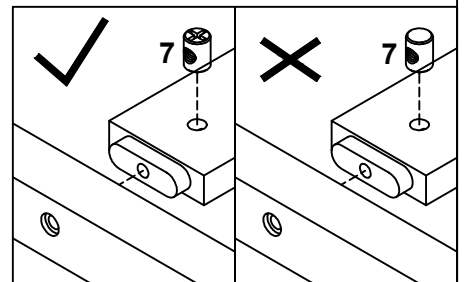
4PCS



4PCS

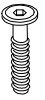


Note: Part 7 will face up with the "x" mark on it, otherwise it cannot be tightened

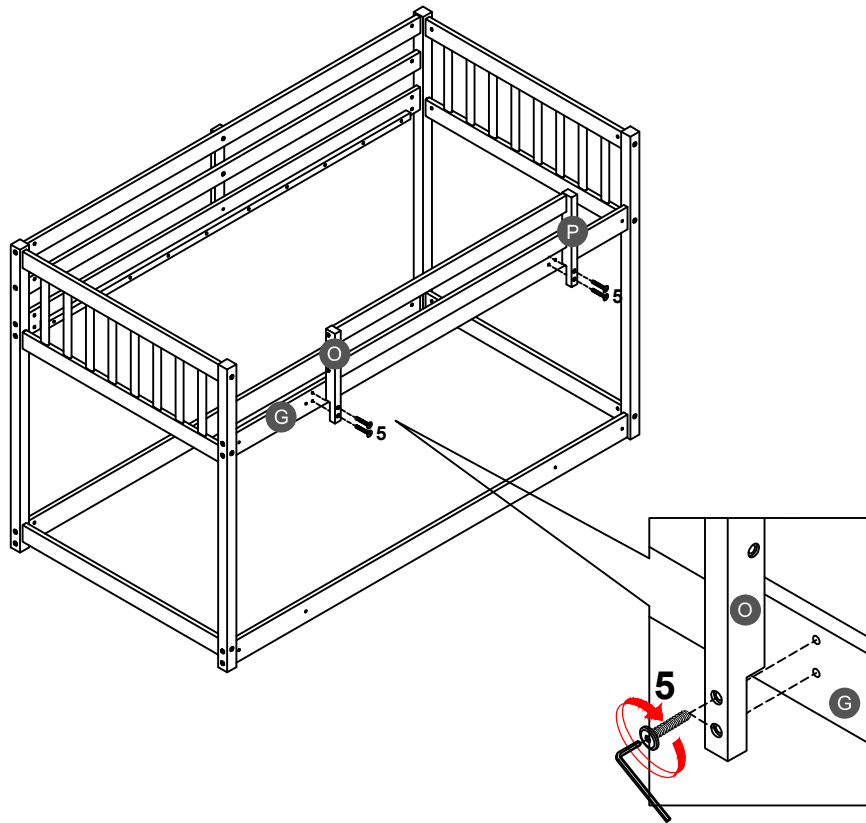


STEP 5:

5



4PCS



STEP 6:

4

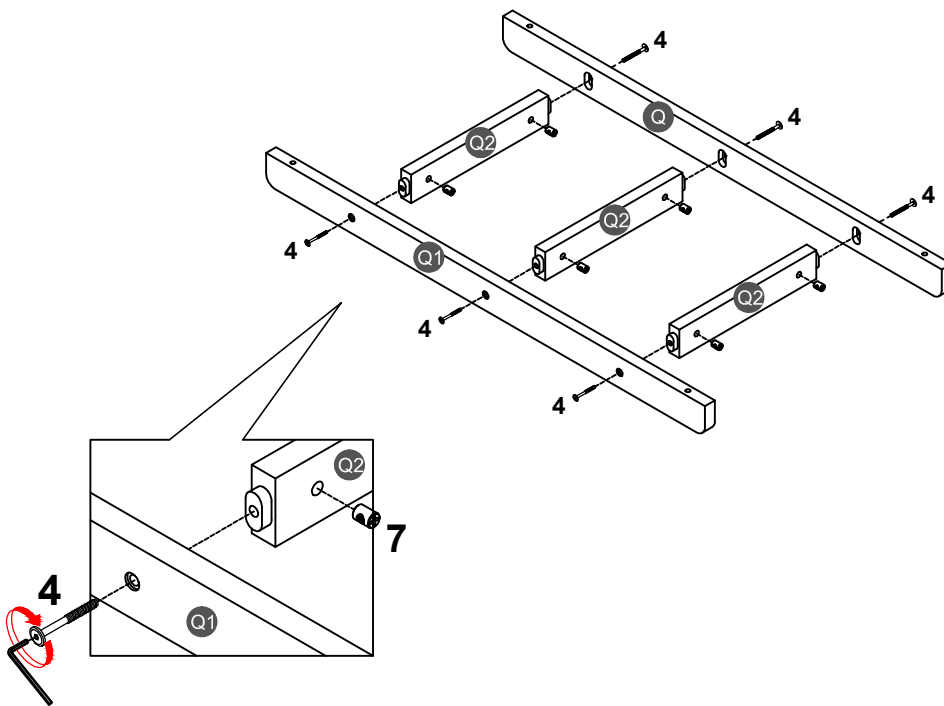


6PCS

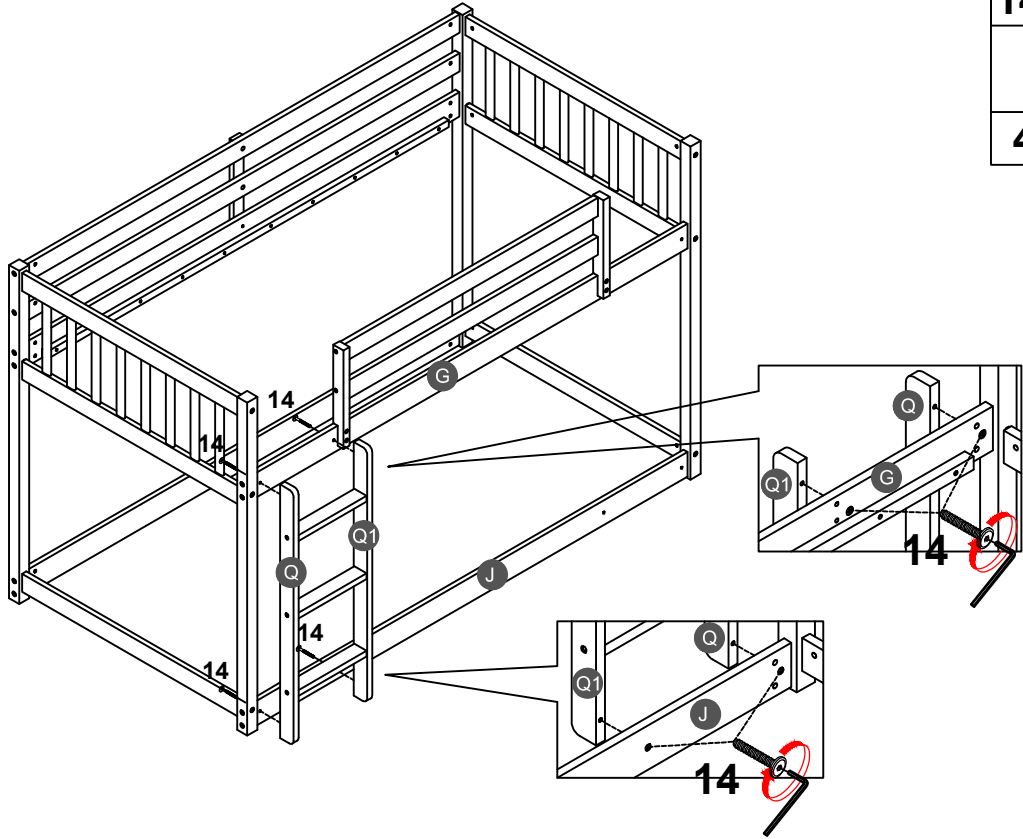
7




6PCS

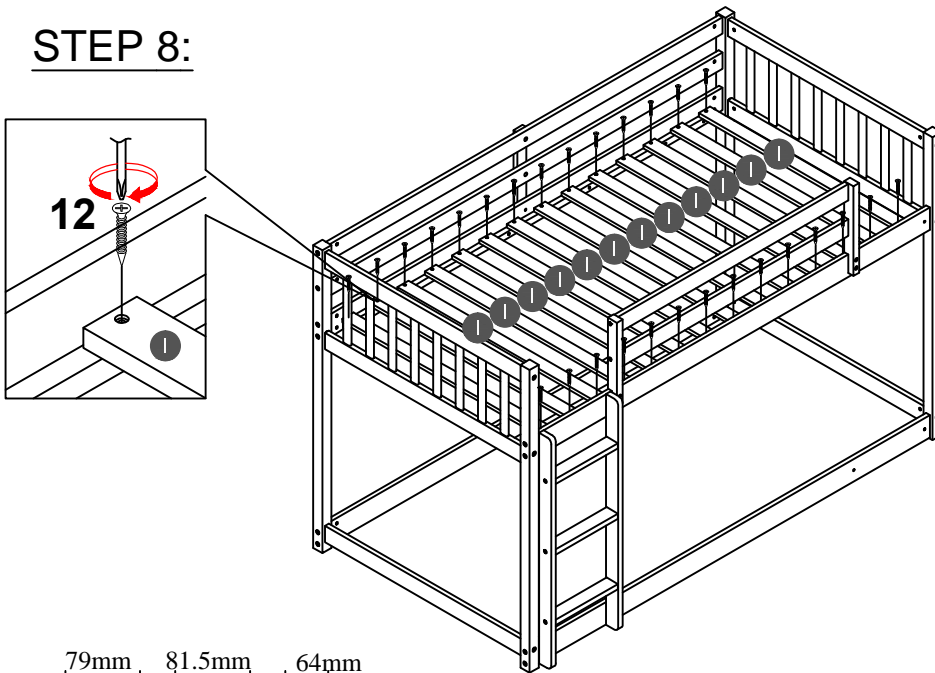



STEP 7:

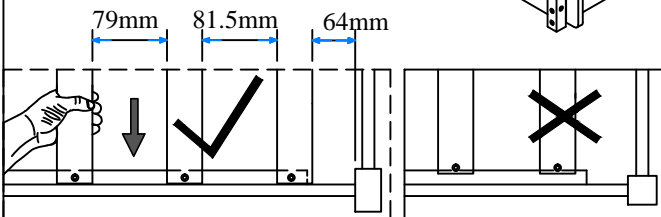


14

4PCS

STEP 8:





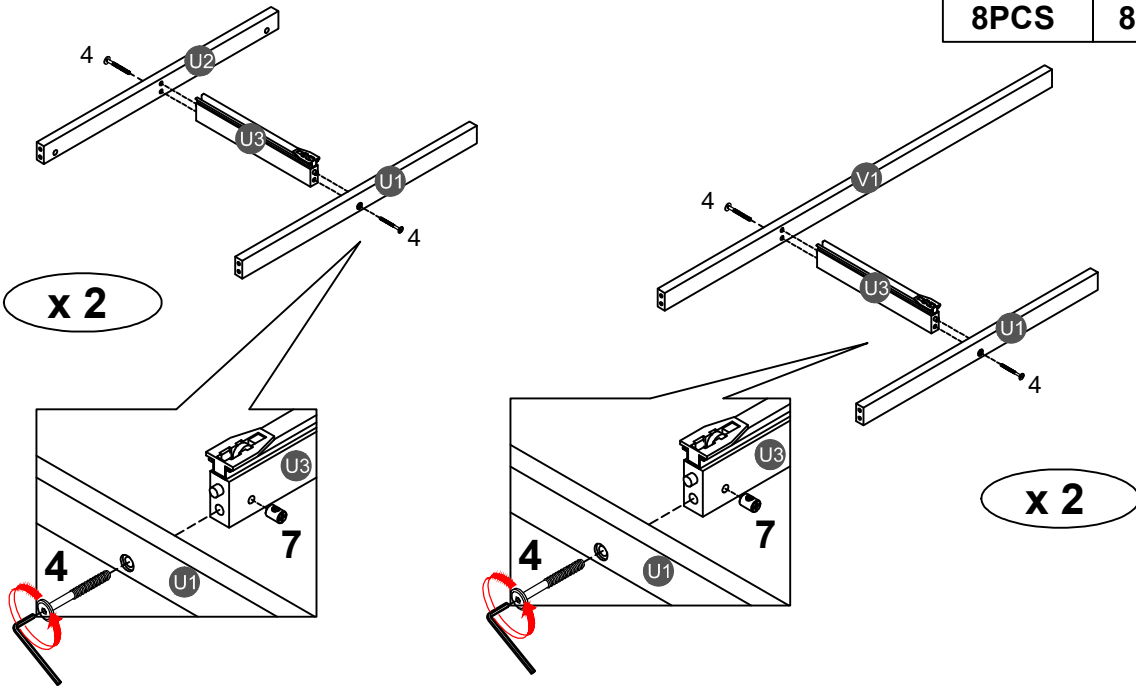
12

28PCS






Note: Do not lock the screws of the bed slats to the outermost edge of the bed slats, you need to leave a certain space at the edges, otherwise it will cause the board to break. Do not lock the bed slats on the edge of the wood, please hold firmly before screwing, hold it in place with one hand, then lock the screw.

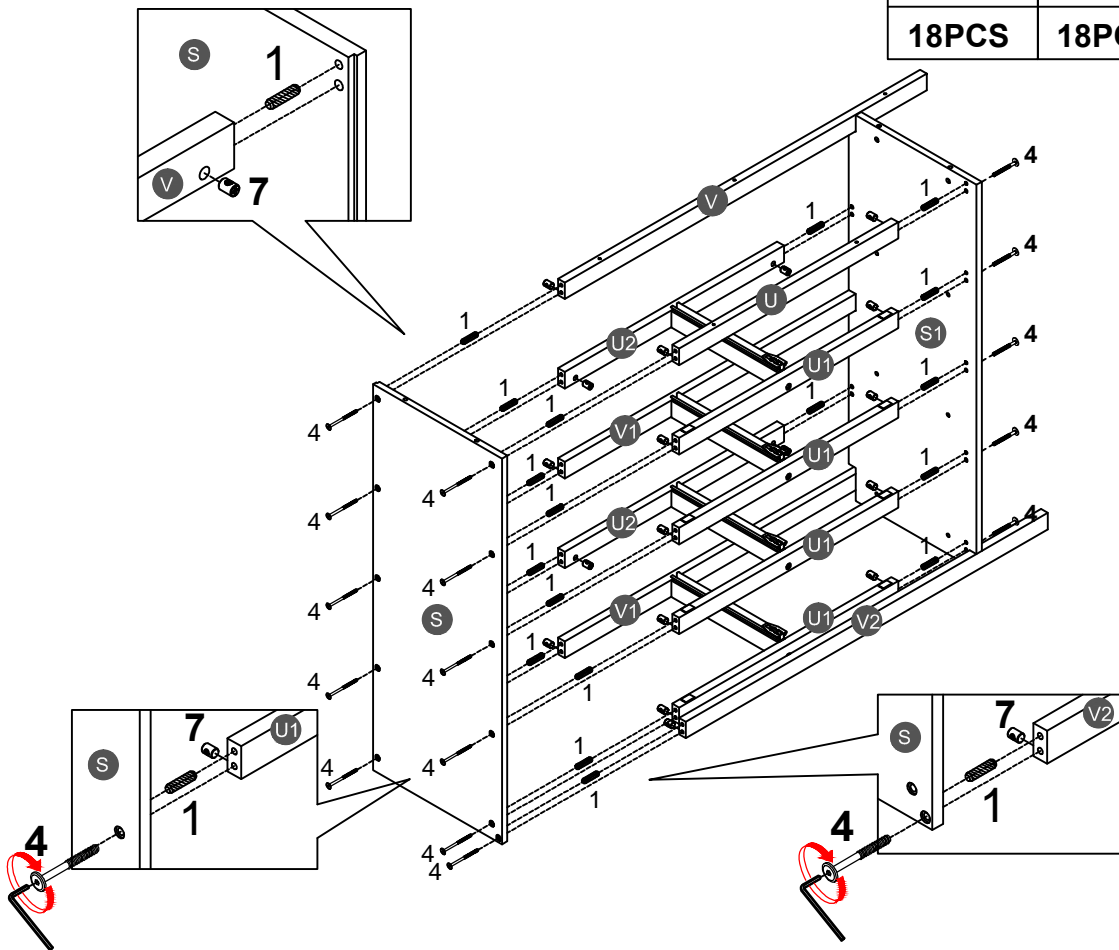
STEP 9:

4		7	
8PCS		8PCS	





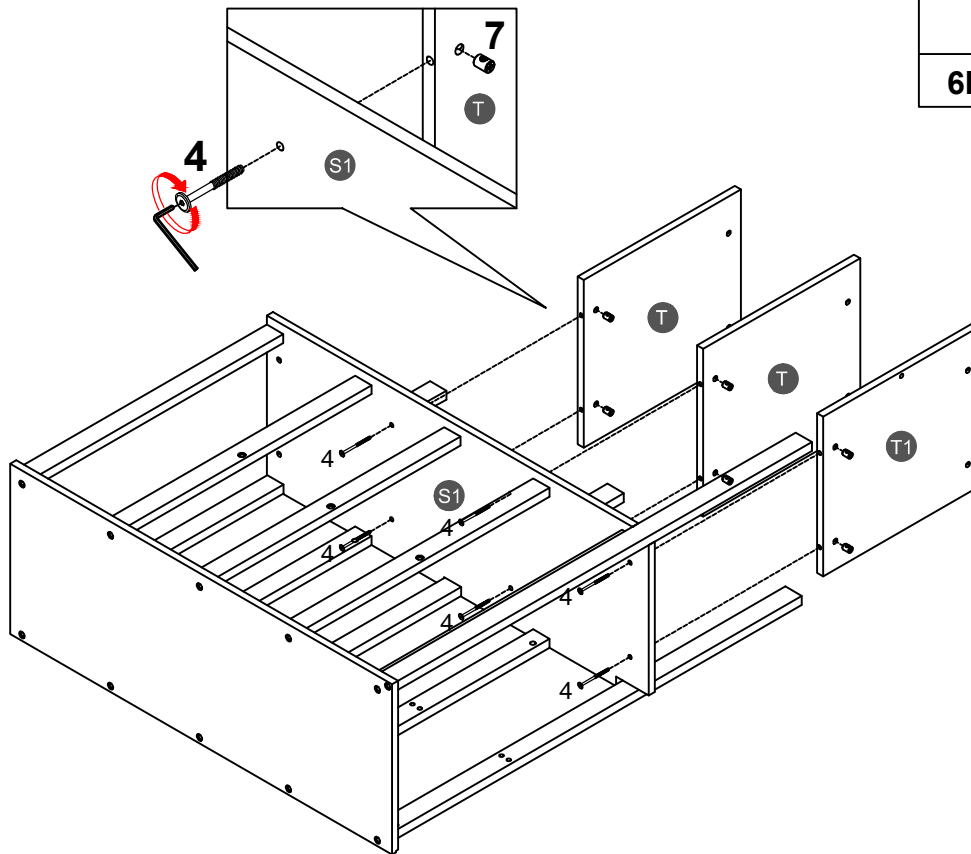
STEP 10:

1		4		7	
18PCS		18PCS		18PCS	






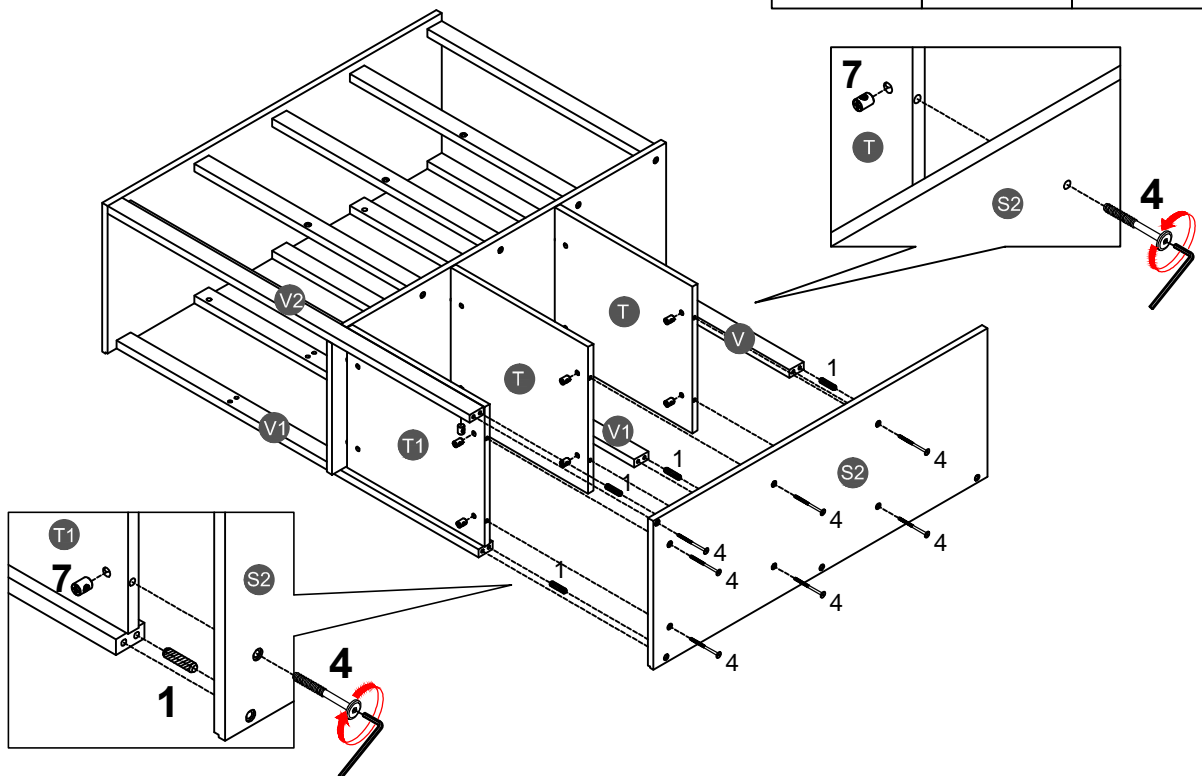
STEP 11:

4		7	
6PCS		6PCS	

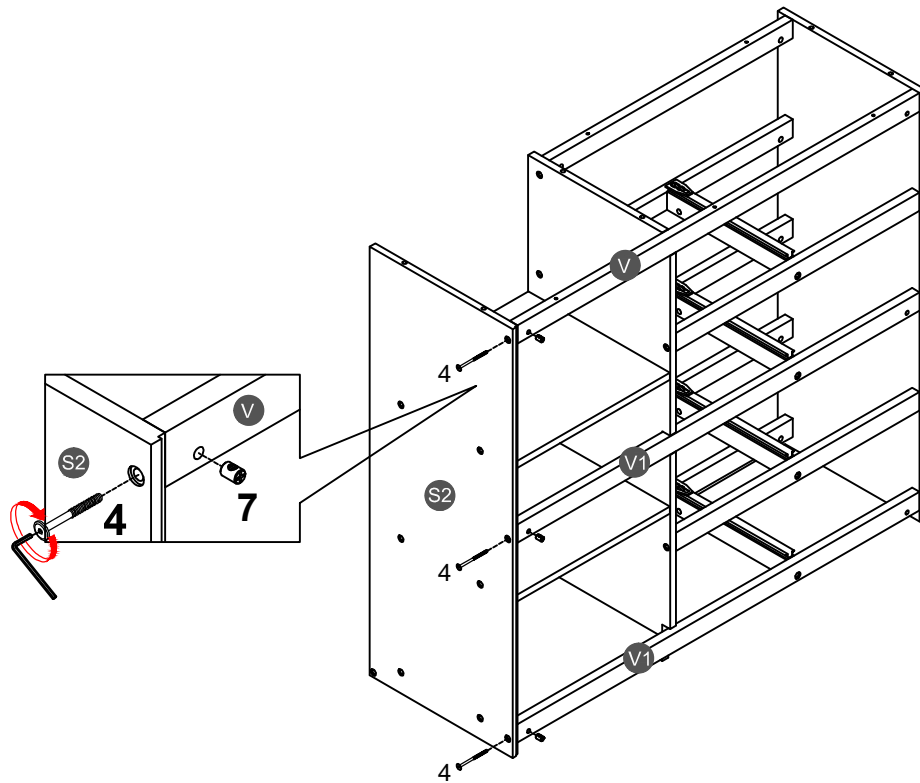


STEP 12:

1		4		7	
4PCS		7PCS		7PCS	

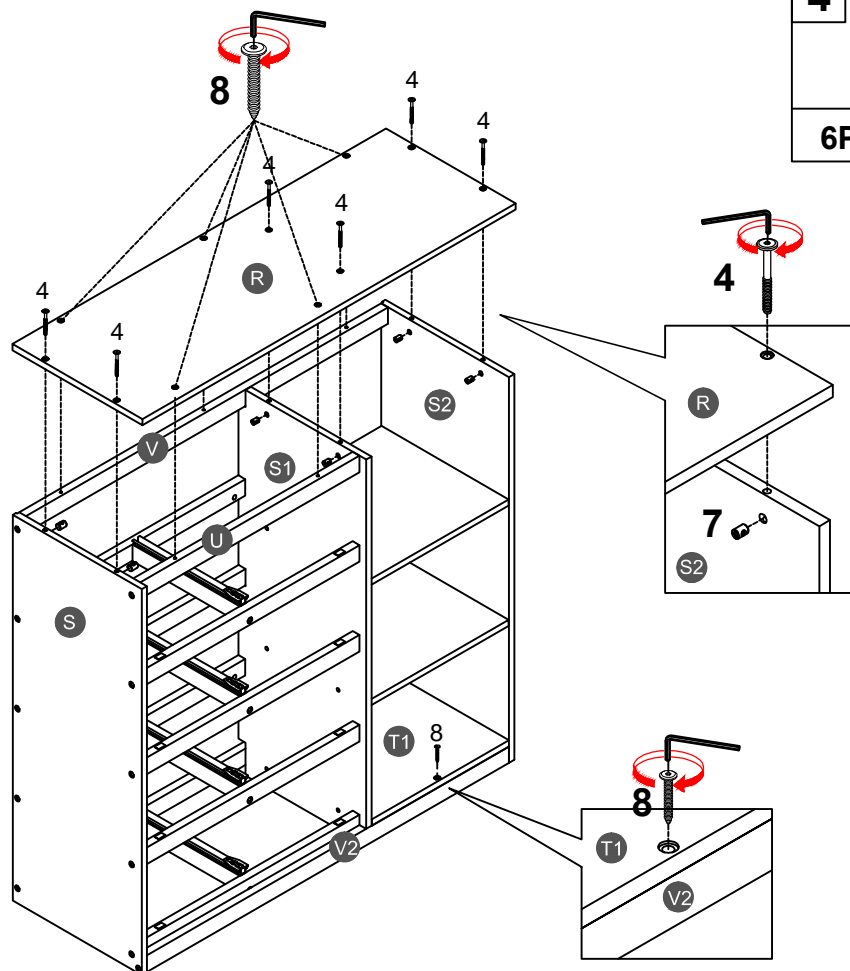


STEP 13:



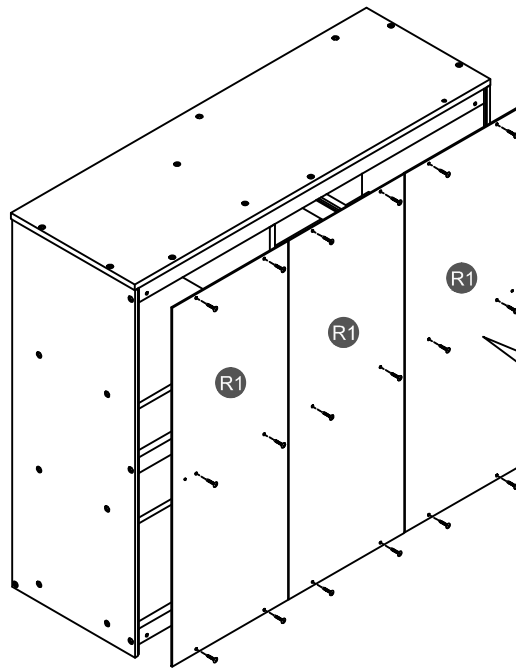
4		7	
3PCS		3PCS	


STEP 14:

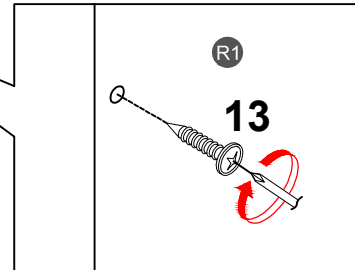


4		7	
6PCS		6PCS	
8			
6PCS			

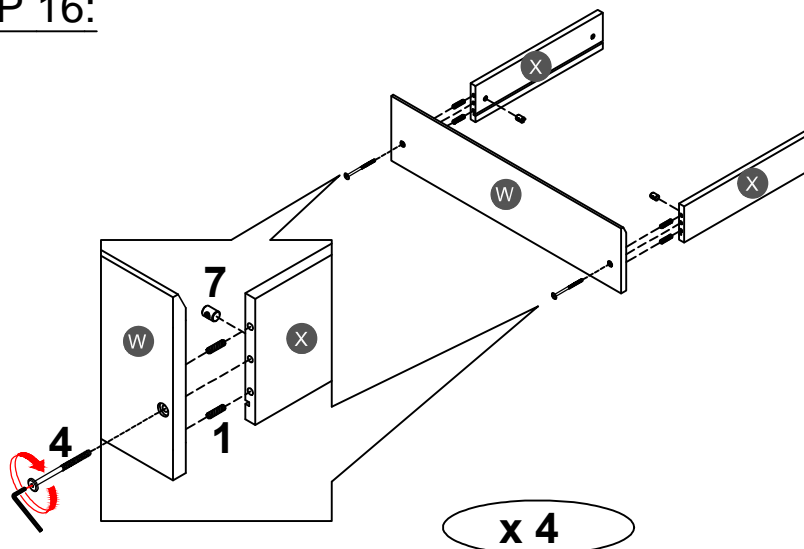
STEP 15:






13	
18PCS	

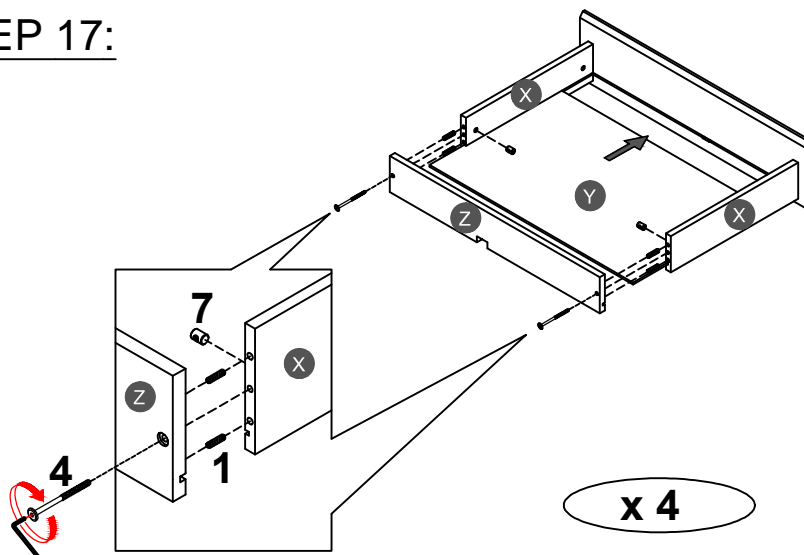





STEP 16:





1		7	
16PCS		8PCS	
4			
8PCS			

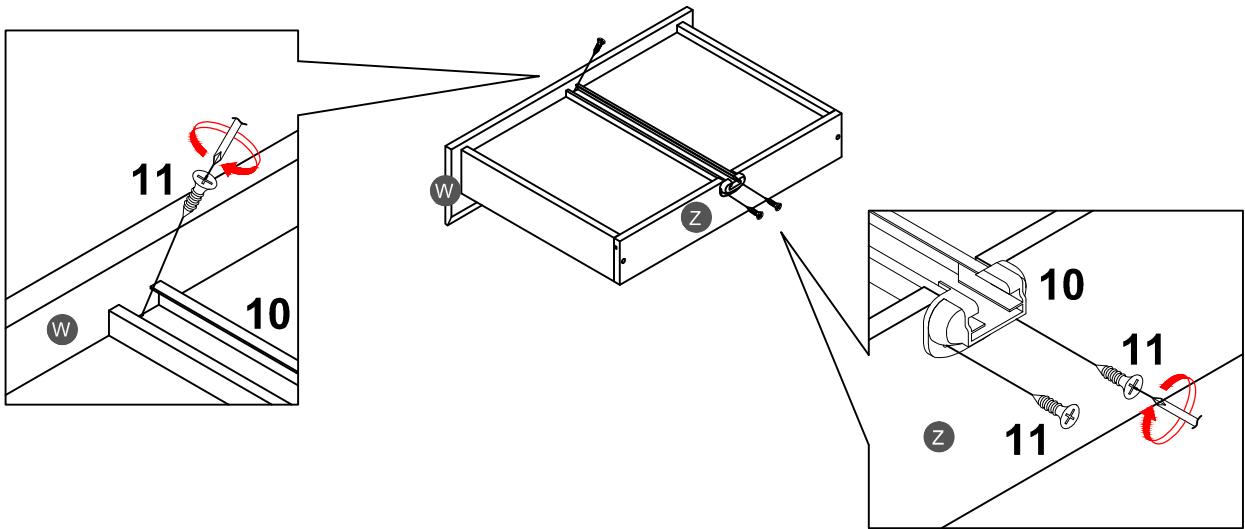
STEP 17:



1		7	
16PCS		8PCS	
4			
8PCS			

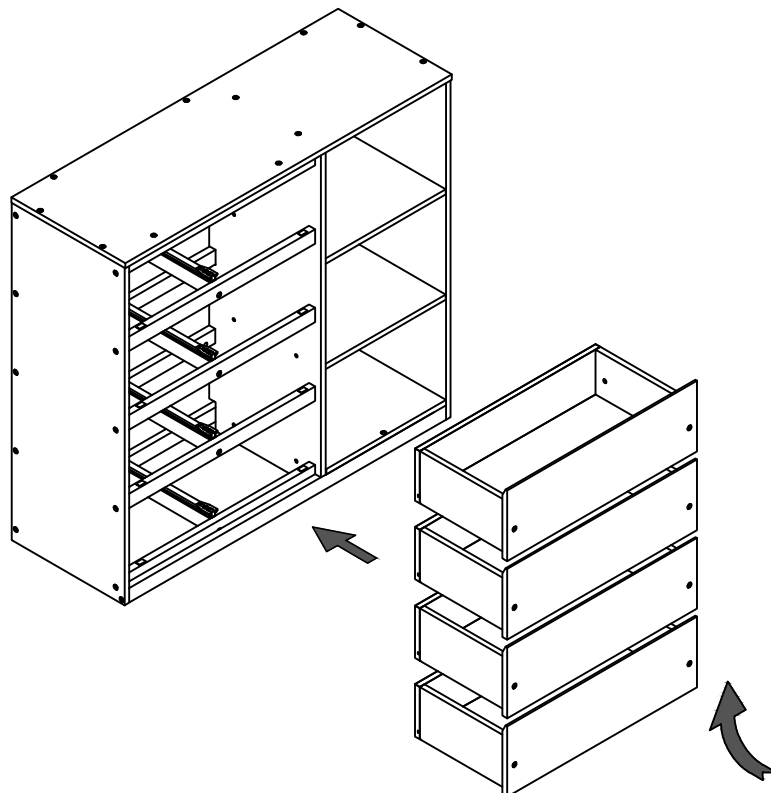
STEP 18:

10	11
	
4PCS	12PCS


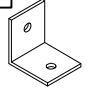


x 4

STEP 19:



STEP 20:

13		15	
4PCS		2PCS	

