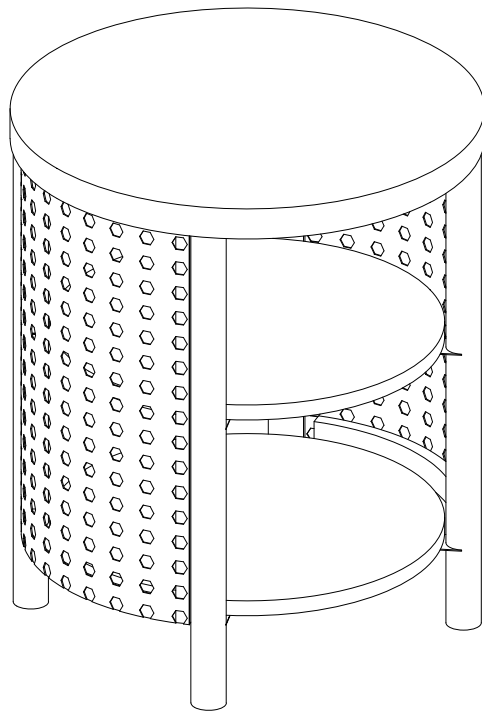


# Installation Instruction

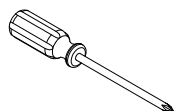


# Assembling

---

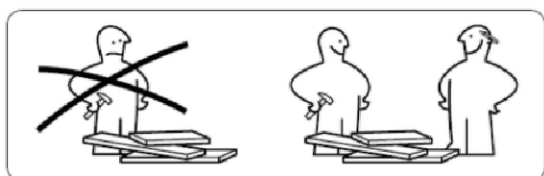
## What you need

- Use the packaging carton as a working surface to prevent product damage during assembly
- Phillips head screwdriver



## Weight Limitation

 **100** | **35**  
lbs table top      lbs per



# What' included

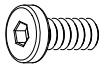
---

Code	Description	Qty
A	Flat head hexagon 6X10MM	12
B	Foot pads	1

---

# The Hardware

Ⓐ



Ⓑ



## IMPORTANT:

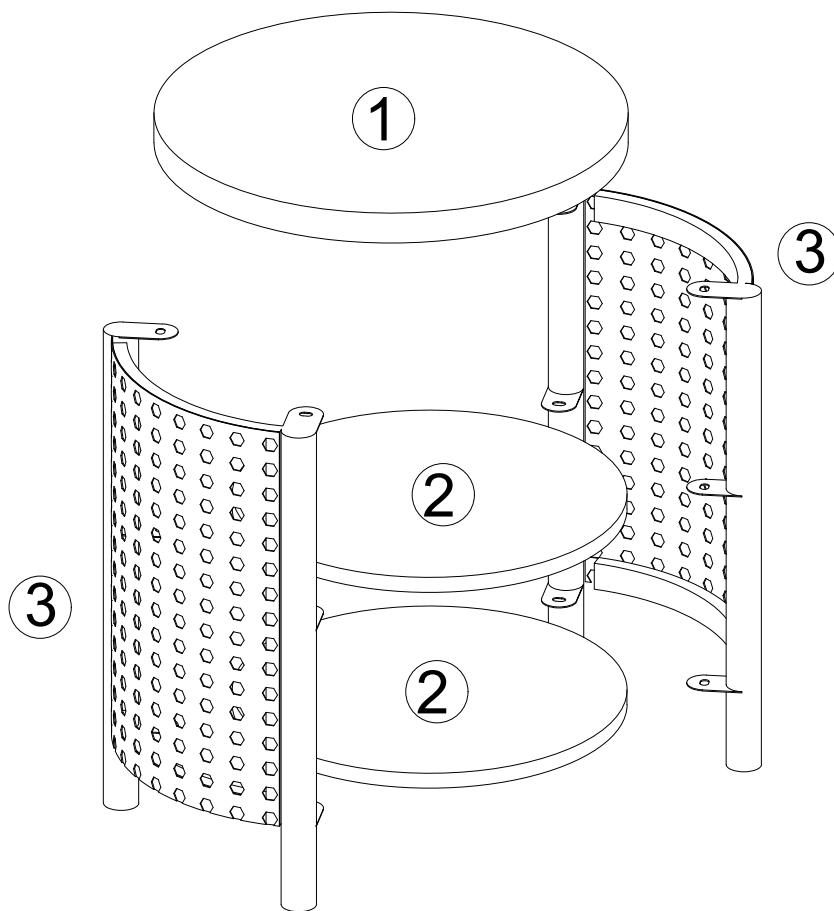
1. Do not tighten bolts / screws completely until all bolts / screws are lined up and inserted into holes.
2. Do not over tighten screws and bolts to avoid stripping
3. Please use hand tools to assemble this product, you can also use power tools (please use power tools carefully)

# Included Accessories

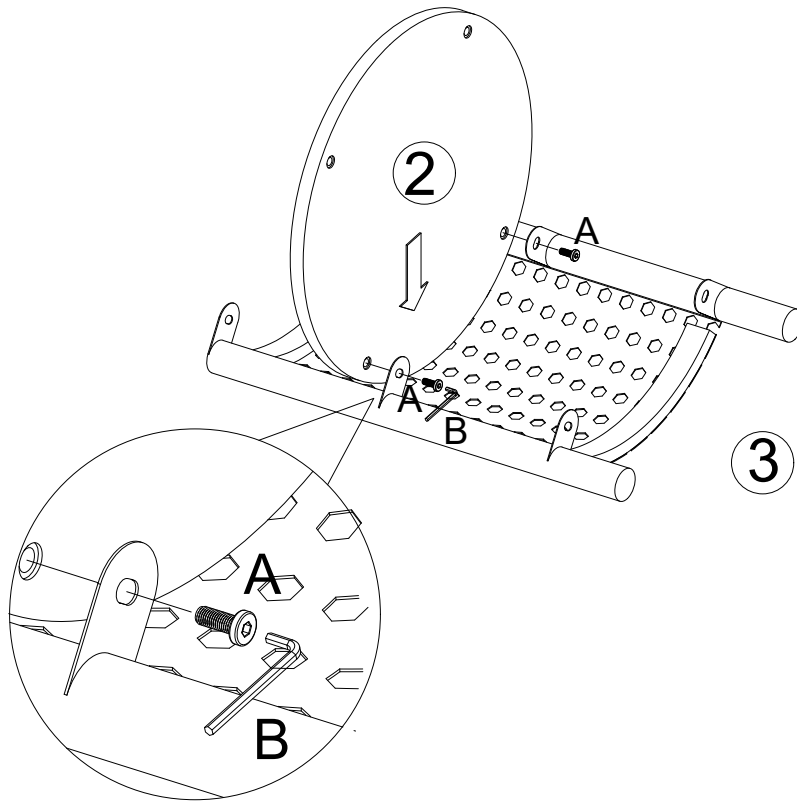
---

Code	Description	Qty
1	Panel	1
2	Shelf board	2
3	Side support feet	2

# The Accessoriess

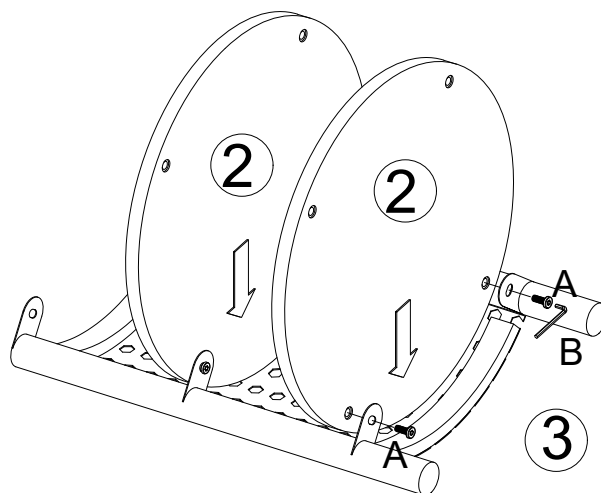


# Step 1



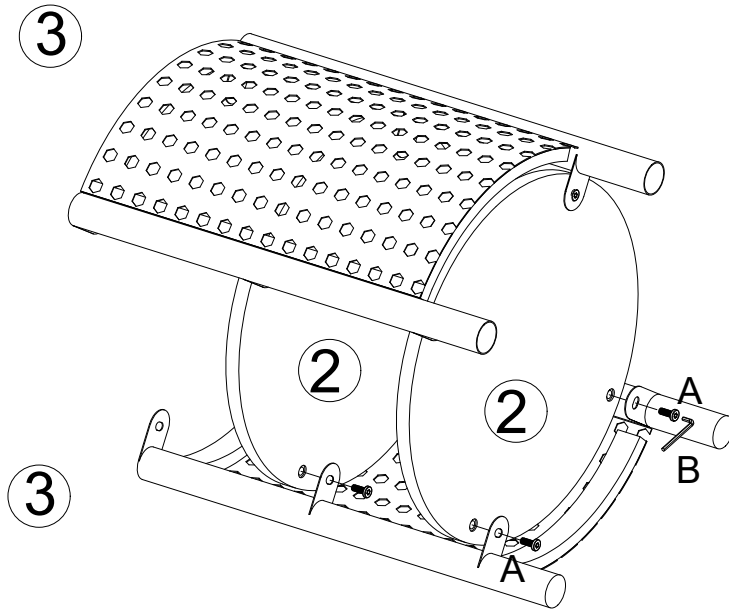
A	x2
B	x1

# Step 2



A	x2
B	x1

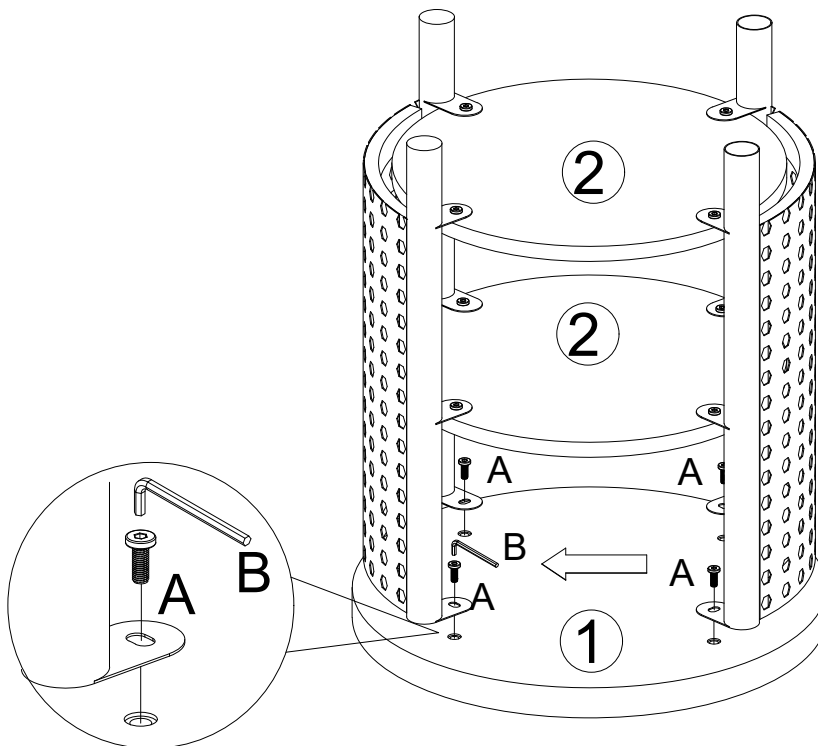
# Step 3



A	x4

B	x1

# Step 4



A	x4

B	x1