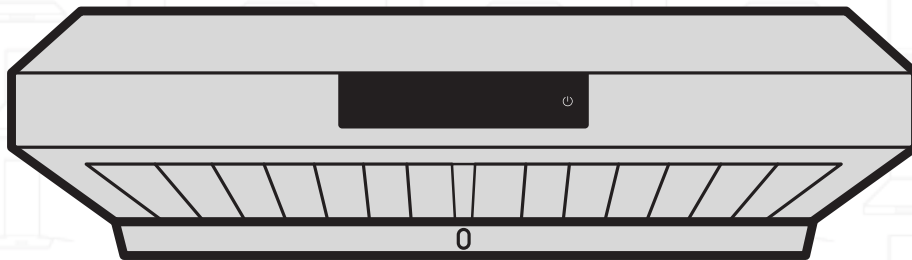


# USER MANUAL



**UC-PS18 Model Series**

**HAUSLANE**

# Table of Contents

<b>Safety Information</b> .....	2	Uninstall the Range Hood's Bottom Cover.....	11
<b>Warranty Information</b> .....	3	Jack Up the Hood.....	11
<b>Specifications</b> .....	4	Screw Hood in Place.....	11
<b>Package Contents</b> .....	4	Double-Check Installation & Remove Support.....	12
<b>Tools Needed</b> .....	4	Connect Damper.....	12
<b>Preparation: What to Do Before Installation</b> .....	5	Plug the Range Hood In.....	12
Read This Manual.....	5	Reinstall Bottom Cover & Baffle Filters .....	12
Gather Your Tools.....	5	Keep This Manual.....	12
Inspect the Unit.....	5	<b>How to Use Your Range Hood</b> .....	<b>12</b>
Ensure There is Proper Height Clearance .....	5	Using the Front Control Panel.....	13
Check Your Power Supply and Ducts .....	5	Adjusting Maximum Airflow Setting .....	13
Figure Out Ducting Requirements & Install Adapter .....	5	Using the Remote Control .....	13
Prepare the Cabinet (Soffit).....	6	<b>Basic Maintenance Instructions</b> .....	<b>14</b>
Find a Helper .....	6	Maintaining the Stainless-Steel Grease Baffle Filters .....	14
<b>How to Install Your Range Hood</b> .....	<b>11</b>	Maintaining the Lighting.....	14
Test the Unit.....	11	Cleaning Your Range Hood.....	14
		<b>Troubleshooting Tips</b> .....	<b>15</b>
		<b>Contact Hauslane</b> .....	<b>16</b>

## Safety Information

Before installing your range hood, read the entire instruction manual. Installers, leave this manual with the homeowner.

### **⚠ WARNING**

**SUITABLE FOR USE IN HOUSEHOLD COOKING AREA ONLY. TO REDUCE THE RISK OF FIRE, ELECTRICAL SHOCK, OR INJURY, OBSERVE THE FOLLOWING:**

1. Use this range hood only in the manner intended by the manufacturer. If you have the questions, contact Hauslane at **1-800-929-0168** or email at **info@hauslane.com**.
2. Before servicing or cleaning, switch power off at service panel and lock service panel to prevent power from being switched on accidentally. When the service disconnecting means cannot be locked, securely fasten a prominent warning device, such as a tag, to the service panel.
3. Installation work and electrical wiring must be done by qualified personnel in accordance with all applicable codes and standards, including fire-rated construction codes and standards.
4. Sufficient air is needed for proper combustion and exhausting of gases through the flue (chimney) of fuel-burning equipment to prevent back drafting. Follow the heating equipment manufacturer's guidelines and safety standards such as those published by the National Fire Protection Association (NFPA), and the American Society for Heating, Refrigeration and Air Conditioning Engineers (ASHRAE), and the local code authorities.
5. When cutting or drilling into wall or ceiling, do not damage electrical wiring and other hidden utilities.
6. Ducted fans must always be vented to the outdoors.
7. Do not use this unit with any solid-state speed control device.
8. To reduce the risk of fire, use only steel ductwork.

9. This unit must be grounded.

### **TO REDUCE THE RISK OF A RANGE TOP GREASE FIRE:**

1. Never leave surface units unattended at high settings. Boil overs cause smoking and greasy spillovers that may ignite. Heat oils slowly on low or medium settings.
2. Always turn hood ON when cooking at high heat or when cooking flaming foods.
3. Clean ventilating fans frequently. Grease should not be allowed to accumulate on fan or filter.
4. Use proper pan size. Always use cookware appropriate for the size of the surface element.

### **⚠ WARNING**

**TO REDUCE THE RISK OF INJURY TO PERSONS IN THE EVENT OF A RANGE TOP GREASE FIRE, OBSERVE THE FOLLOWING:**

1. **SMOTHER FLAMES** with a close-fitting lid, cookie sheet or metal tray, then turn off the burner. **BE CAREFUL TO PREVENT BURNS. IF THE FLAMES DO NOT GO OUT IMMEDIATELY, EVACUATE AND CALL THE FIRE DEPARTMENT.**
2. **NEVER PICK UP A FLAMING PAN** as you may be burned.
3. **DO NOT USE WATER**, including wet dishcloths or towels. This could cause a violent steam explosion.
4. Use an extinguisher **ONLY** if:
  - A. You own a Class ABC extinguisher and you know how to operate it.
  - B. The fire is small and contained.
  - C. The fire department has been called.
  - D. You can fight the fire with your back to an exit.

\*Based on "Kitchen Fire Safety Tips" published by NFPA.

**⚠ CAUTION**

1. For general ventilating use only. Do not use to exhaust hazardous or explosive materials and vapors.
2. To avoid damage and noisy and/or unbalanced impellers, keep drywall/construction dust, etc. off power unit.
3. Mount your range hood so that the bottom of the hood is 24" to 30" above the cooking surface. The minimum hood distance above cooktop must not be less than 24"; any installation less than 24" may cause overheating and cause damage to the range hood. For gas ranges, the required distance is 30". Do not exceed the maximum height of 30" while in operation. HAUSLANE does not warrant this improper installation.
4. Two to three installers are recommended because of the larger size and weight of this hood.
5. To reduce the risk of fire and to properly exhaust air, be sure to duct air outside. Do not exhaust air into spaces within walls and ceiling or into attics, crawl space or garages.
6. Because of the high exhausting capacity of this hood, you should make sure enough air is entering the house to replace exhausted air by opening a window close to or in the kitchen.
7. Use with approved cord-connection kit only.
8. Please read product specification label on range hood for further information and requirements.

## Warranty Information

---

This range hood is warranted to the original purchaser to be free of defects in material and workmanship for two (2) years from the date of purchase.

Our obligation shall be limited to the repair or replacement of a unit (at our discretion) that may prove, by our sole examination, to be defective under normal use and service during the warranty period. We may issue credit in the amount of the invoice value of the defective product (or a percentage of it according to use) in lieu of repair or replacement. Any failure of this product that is not traceable to a defect in material or workmanship is not covered by this warranty. These non-warrantable items include, but are not limited to:

- Any defects or damage to light bulbs
- Change in color or finish due to chemical usage
- Improper installation not in accordance with the instructions
- Dents, bumps, and scratches incurred during shipping, handling, or installation
- Damage caused by failure to follow care and cleaning guidelines, including damage caused by the use of abrasive cleaners
- Alterations made to the unit by the purchaser or installer
- Damage caused by accidental impact, fire, flood, freezing, and normal wear
- Bends and warping caused by forced connections, over-tightened fittings, and inadequate support during installation

A thorough inspection must be made before installation and any damage must be promptly reported. We will not be liable for failures or damage that could have been discovered or avoided by proper inspection and testing prior to installation. Incidental repairs that would involve a minimum of time and effort on behalf of the purchaser will not be considered warranty work and no compensation will be deemed forthcoming.

This warranty is non-transferable and shall be voided if the unit is removed from its initial installation or if it is not installed following the instructions.

Under no circumstance shall we be held liable for personal

injury or property damage resulting from improper installation or use of this product. We will not be held liable for inconvenience caused by loss of use of this product, costs incurred for labor or materials, removal and installation of replacement units, or any other incidental or consequential damages. Costs relating to obtaining access for repair or replacement are the responsibility of the user.

This warranty does not extend to commercial and institutional installation or use.

### Warranty Claim Procedure

If a claimable defect occurs, please contact our customer service team at **1-800-929-0168** (8 a.m.-5 p.m., PST, Monday –Friday). or email us at [info@hauslane.com](mailto:info@hauslane.com).

Before you make your claim call, please ensure that you have:

- Description of the range hood
- Proof of sale
- Details regarding the defect
- Name(s) and address(es) of the owner and installer

Claims must be filled out in writing and returned within six (6) months of the appearance of a defect. Failure to comply with this stipulation will make this warranty null and void. We reserve the right to a thirty-day (30) delay following the receipt of a claim in which to inspect the product. We assume no responsibility for labor costs, removing or replacing a previously installed product, transportation, or the return of a product.



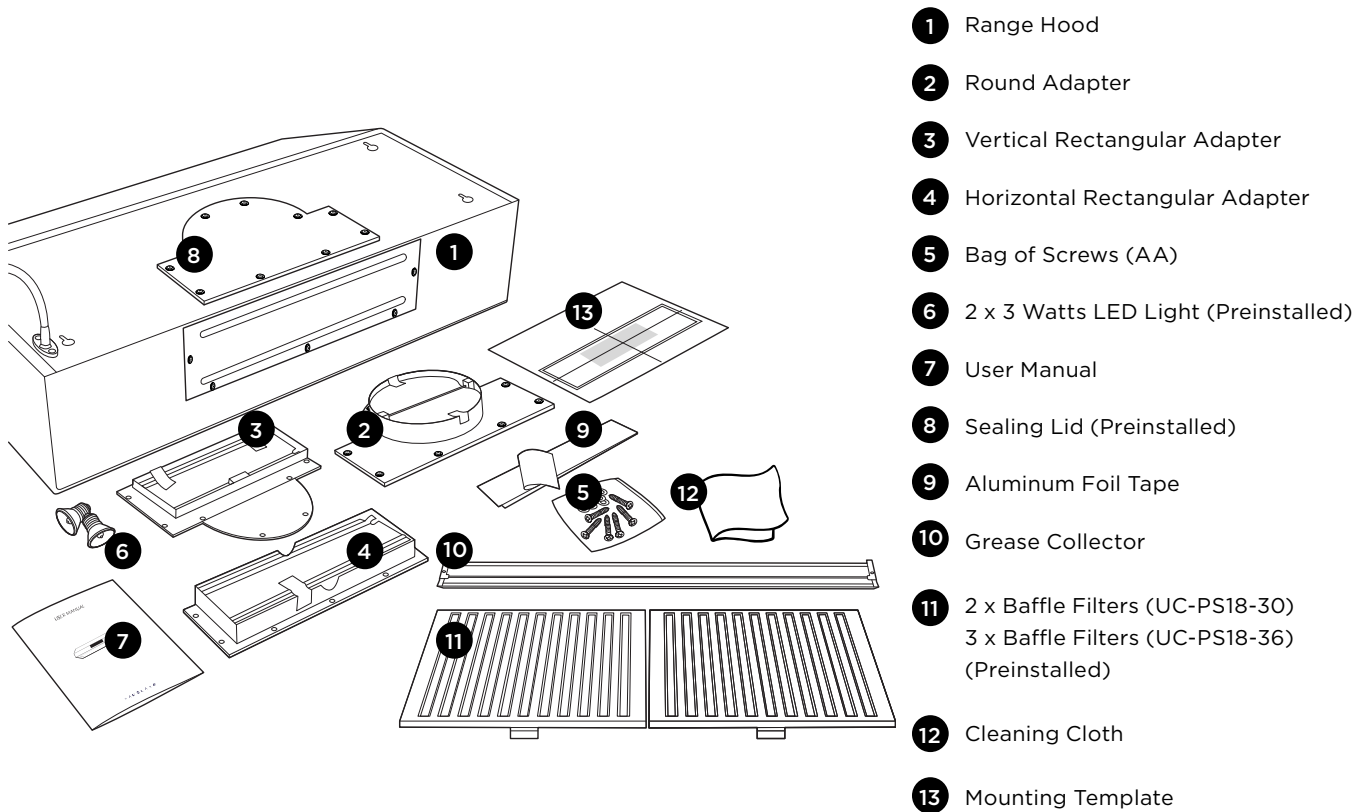
### CALIFORNIA RESIDENTS ONLY WARNING:

Cancer and Reproductive Harm  
[www.P65Warnings.ca.gov](http://www.P65Warnings.ca.gov)

## Specifications

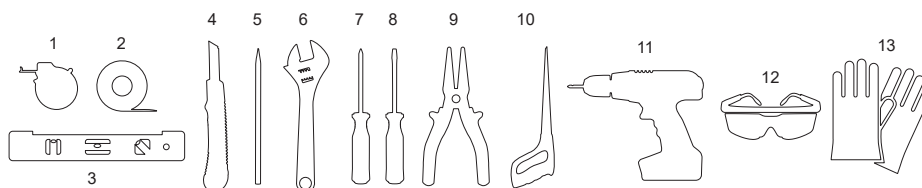
Dimensions	Volts	Hertz	Fan CFM	Speeds	Light Wattage	Stainless Steel Grade
<b>30"</b> : 29 3/4" W x 22" D x 8"H	120	60	Equivalent Airflow: 860	6	3W x 2	430
<b>36"</b> : 35 3/4" W x 22" D x 8"H			Laboratory Airflow: 500			

## Package Contents



## Tools Needed

Before you begin the installation process, gather the following tools:



- 1 Measuring Tape
- 2 Aluminum Foil Tape
- 3 Level
- 4 Utility Knife
- 5 Pencil
- 6 Adjustable Wrench
- 7 Philips Screwdriver
- 8 Flathead Screwdriver
- 9 Needle Nose Pliers
- 10 Keyhole Saw 1"
- 11 Electric Drill & Extended length head driver bit
- 12 Safety Goggles
- 13 Safety Gloves

# Preparation: What to Do Before Installation

Before installing your range hood, carefully follow these steps:

## 1. Read This Manual

Read through all the steps. If you fail to read the instructions carefully, we will not be responsible for damages incurred on your part. If you're not confident in your abilities to install the range hood properly, we recommend hiring a certified technician to complete the installation.

## 2. Gather Your Tools

Ensure you have all the necessary tools according to the previous page.

## 3. Inspect the Unit

Unpack the unit and check your range hood for damage or missing parts. Plug it in to an outlet to ensure the fan and lights work. If anything is damaged or missing, contact the seller to get the issues solved. Don't throw away packaging until you're sure you are fully satisfied with the product.

## 4. Ensure There is Proper Height Clearance

To ensure the highest performance, the bottom of your range hood must be between 24" and 30" from the top of the cooking surface. For gas ranges, the required distance is 30". Do not exceed the maximum height of 30" while in operation. This is very important! Installing at the incorrect height could lead to drastic reduction in the range's performance or even cause a fire.

## 5. Check Your Power Supply and Ducts

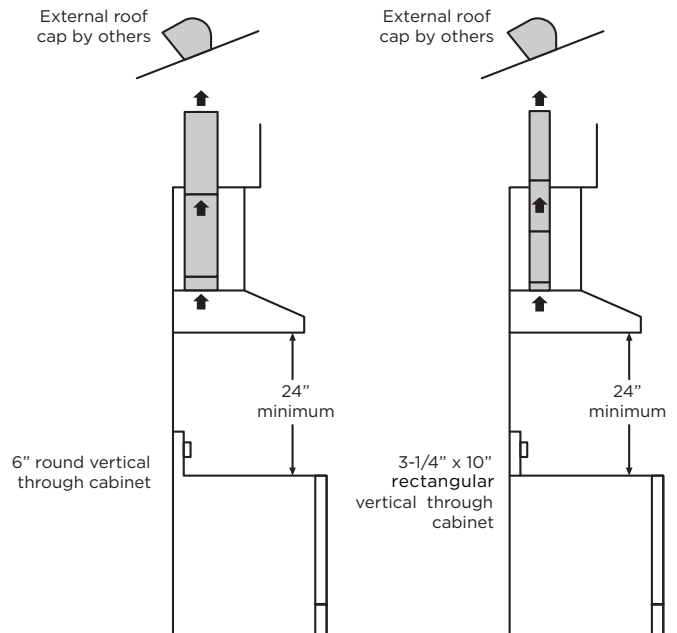
Check to ensure your main voltage is in line with the required voltage outlined on the rating plate inside this hood. Also check the domestic power supply to guarantee adequate earthing before installation.

This range hood must be ducted to the outside. Don't connect the range hood to exhaust ducts that carry any type of combustion fumes like fireplaces, boilers, or any similar items. The vents should have a short, straight run to the outside. Avoid any elbows if possible, and if an elbow is required, a minimum of a 12" straight run is imperative before the elbow.

## 6. Figure Out Ducting Requirements & Install Adapter.

This range hood requires ducting to the outside for ventilation. This range hood comes pre-installed with a vertical 6" round adapter. The package comes with a horizontal and a vertical rectangular adapter.

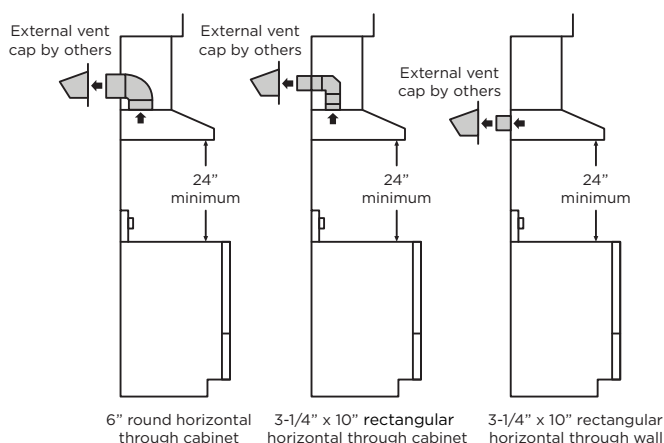
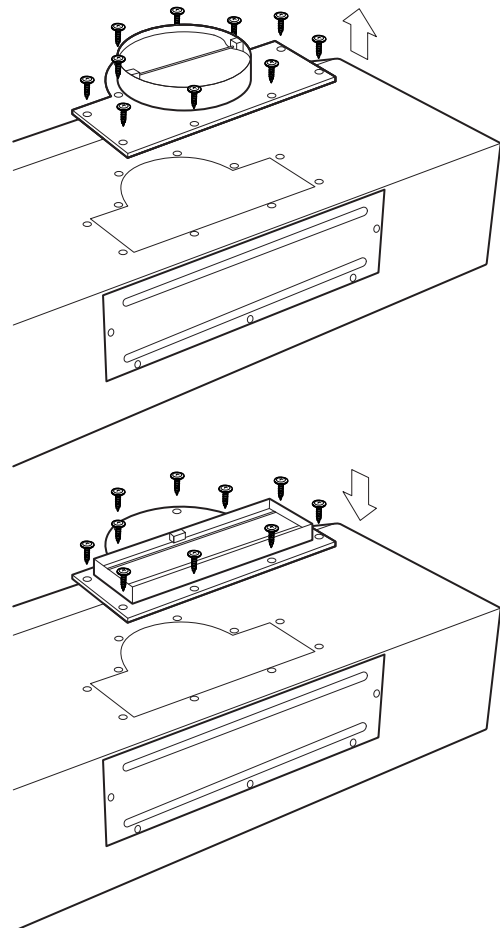
Look at the duct you're going to attach the range hood to.



### Is It a Vertical Rectangular Duct?

If so, take off the round adapter that is preinstalled on the unit by removing 10 screws. Attach the rectangular adapter in its place and tighten the adapter with the previously-removed 10 screws. Remove the tape holding up the dampers.

**IMPORTANT:** Failure to remove the tape from the damper will cause reduction in performance. Make sure to install with the existing black rubber gasket.



### Is It a 6" Round Duct?

You won't have to make any extra preparations. The range hood will attach directly to your duct. Be sure to remove the tape holding up the dampers.

**⚠ IMPORTANT:** Failure to remove the tape from the damper will cause reduction in performance. Make sure to install with the existing black rubber gasket.

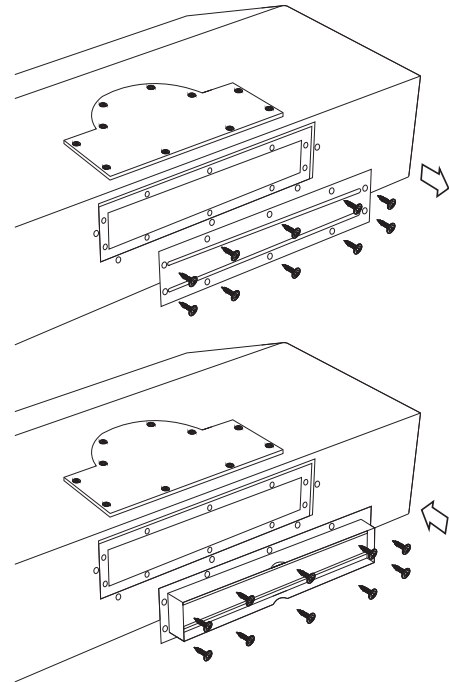
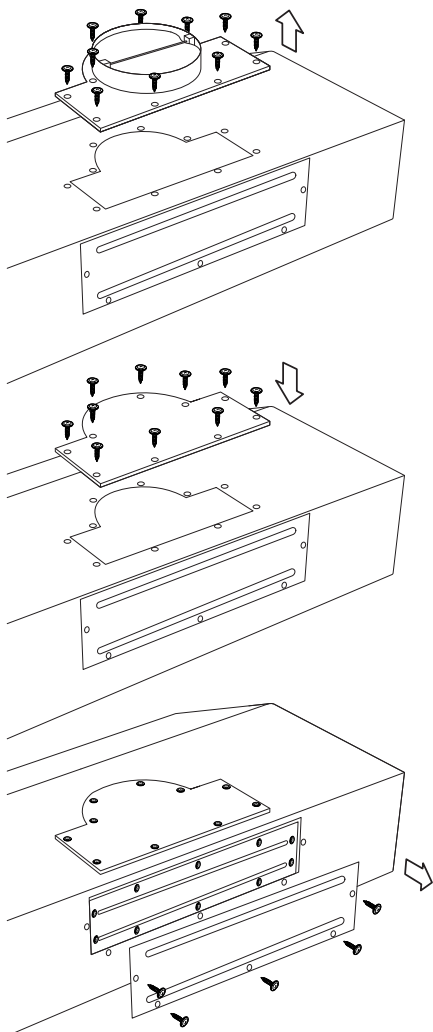
### Is It a Horizontal Rectangular Duct?

If so, remove existing round adapter by removing the 10 screws. Cover the opening with the shutoff plate and secure with 10 screws. This renders the round duct opening useless, and you can move forward with the installation of proper arrangements for horizontal discharge.

Remove the 5 screws and carefully take off the large shutoff plate on the back of the hood. Then, carefully remove the 8 screws holding the small sealing lid inside the back of the hood.

Attach the horizontal rectangular adapter into the back of the hood. Attach it using the 8 screws you removed from the small shutoff plate. Remove the tape holding up the dampers.

**⚠ IMPORTANT:** Failure to remove the tape from the damper will cause reduction in performance. Make sure to install with the existing black rubber gasket.



### 7. Prepare the Cabinet (Soffit)

Measure the size of the outlet adapter relative to the cabinet. If it is not already done, you'll need to cut an opening in the cabinet to ensure the outlet adapter and power cable can pass through. If you must do this, use a pencil and ruler to mark the area, then cut with a wall/keyhole saw.

If you're installing the UC-PS18-30 under a cabinet with a recessed bottom, we recommend using 4" wood fillers on each side to stabilize the cabinet for mounting purposes. For UC-PS18-36, we recommend using 6" wood fillers on each side for easier, more secure mounting.

### 8. Find a Helper

This range hood is best installed by two or more people due to its size and weight. Again, it is recommended to hire a certified technician for installation to reduce the risk of damage or injury.

### 9. Check the Damper

With your helper, hold up the hood in position under cabinet. Check to make sure that the adapter enters the ductwork properly. Then, make sure the damper opens and closes freely. This will ensure better and quieter performance.

**⚠ IMPORTANT:** Always fully open the damper. A half-opened damper will lead to backdraft, meaning air will backflow through the hood into the kitchen.

### 10. Safely Remove the Range

You might not need to remove your oven/range. However, if you do, follow these safety instructions: Turn off the range's power from the main switch. If it's a gas range, turn off the main gas supply.

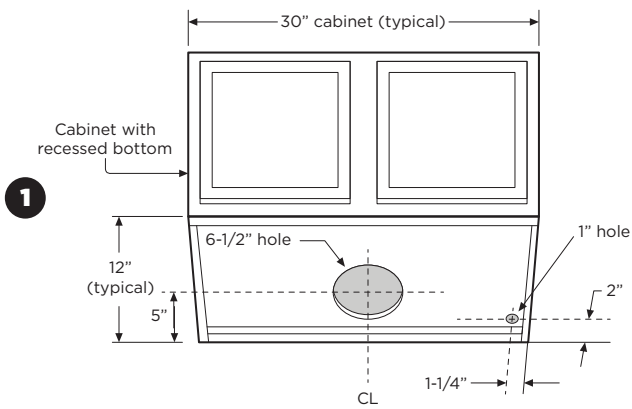
### 11. Mounting Template

A mounting template is included in the packaging to assist with proper alignment and simplify installation.

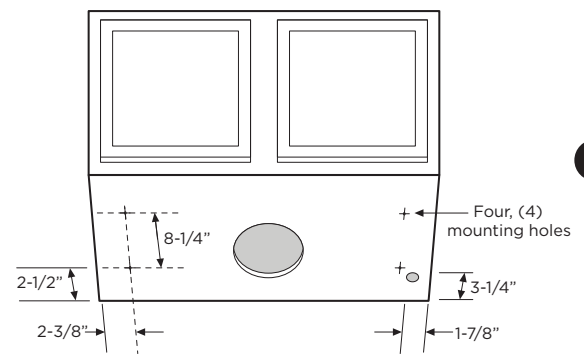
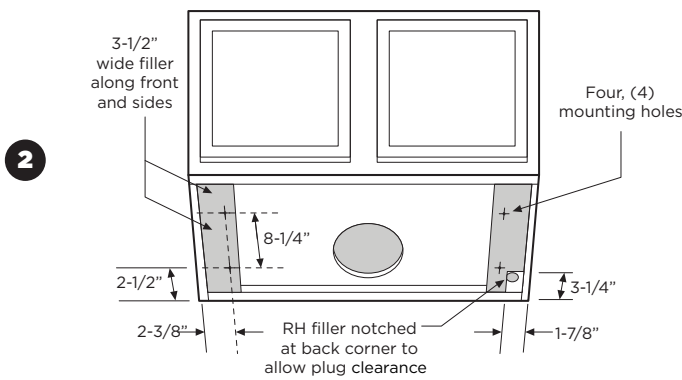
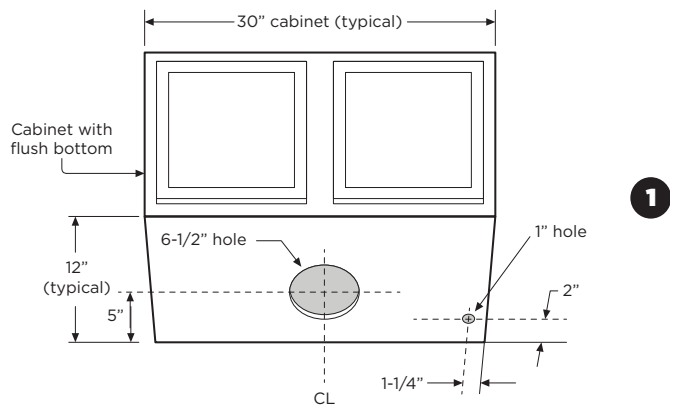
UC-PS18-30

1. Round Vertical Adapter

Cabinet with recessed bottom

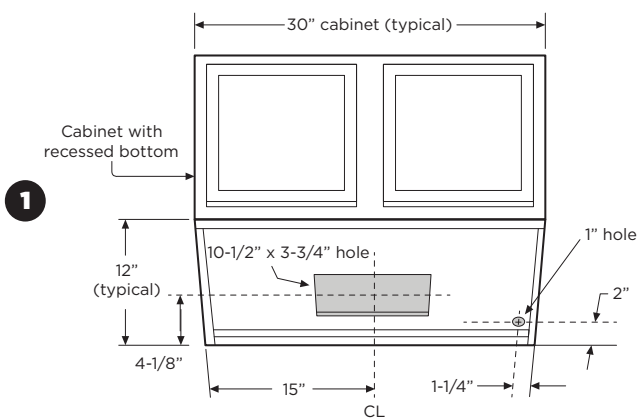


Cabinet or soffit with flush bottom

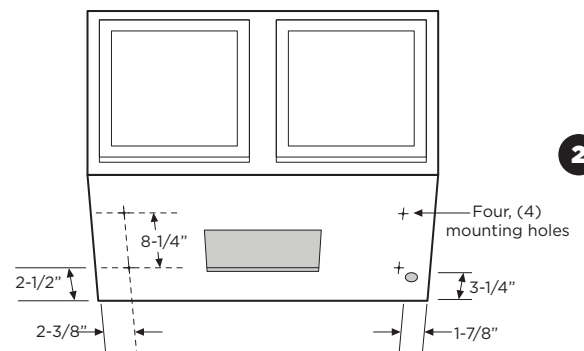
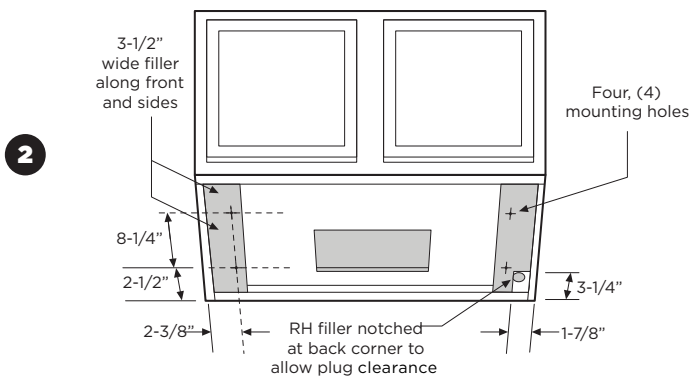
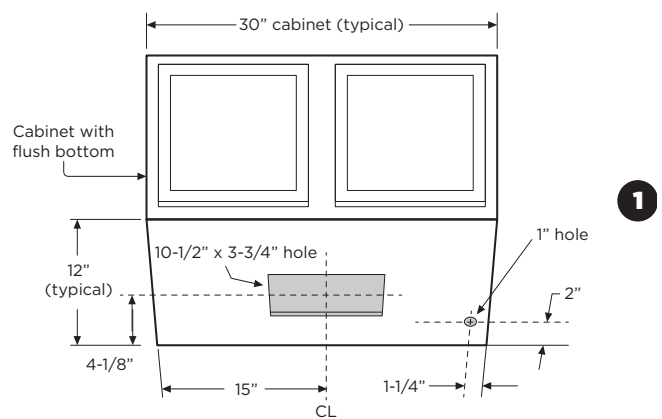


2. Rectangular Vertical Adapter

Cabinet with recessed bottom

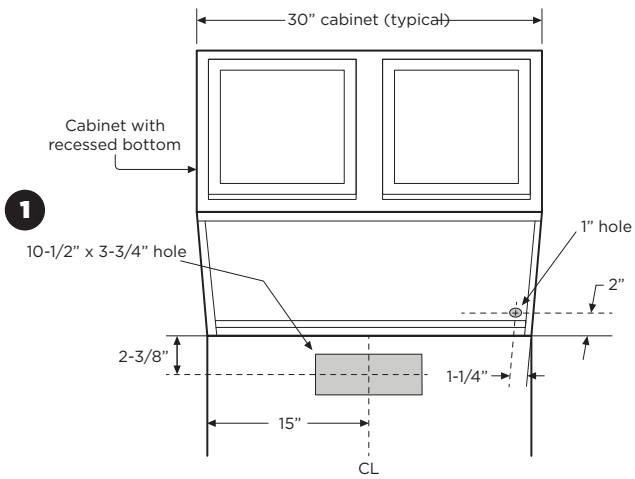


Cabinet or soffit with flush bottom

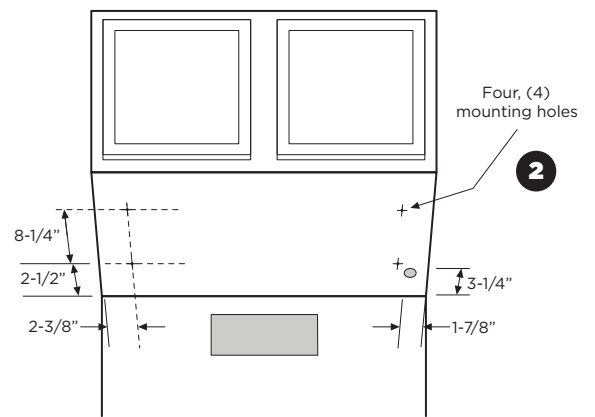
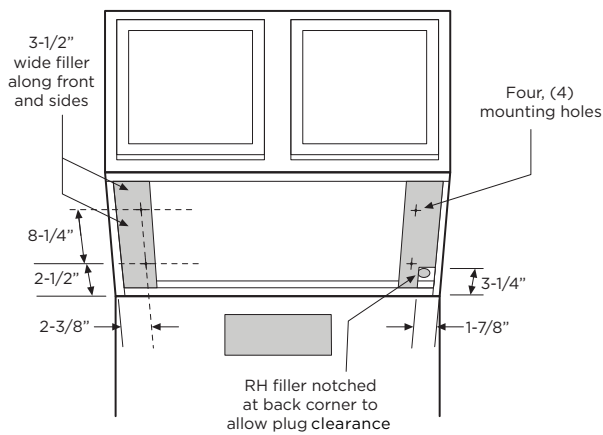
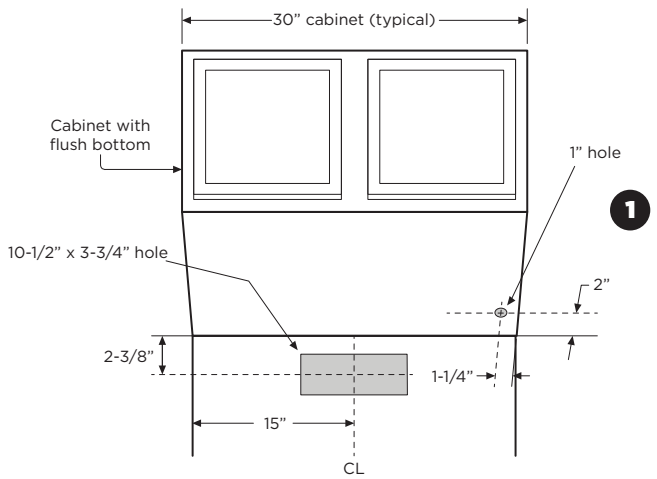


3. Rectangular Horizontal Adapter

Cabinet with recessed bottom



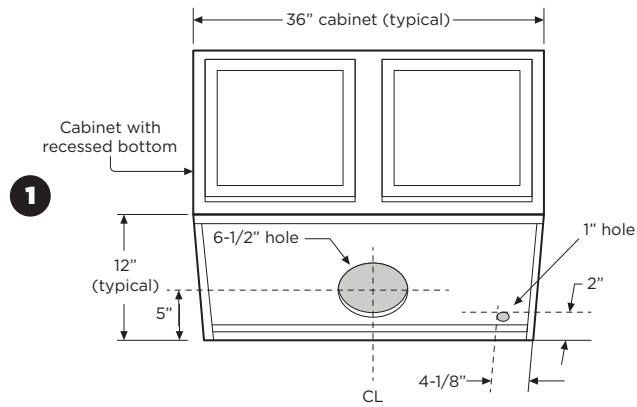
Cabinet with flush bottom



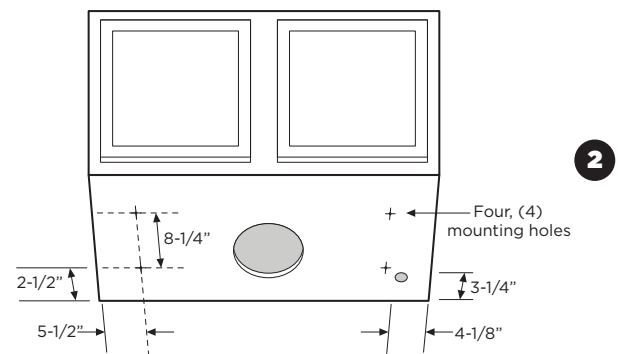
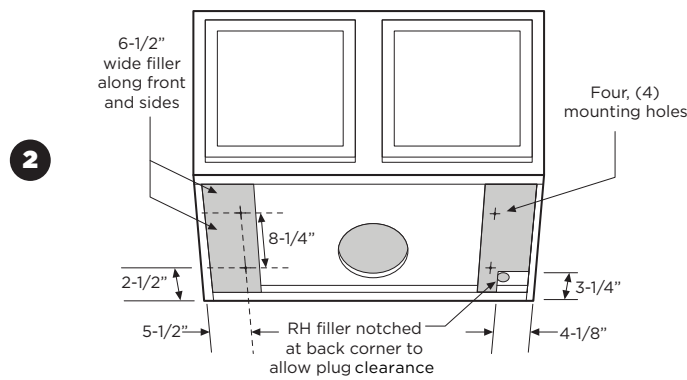
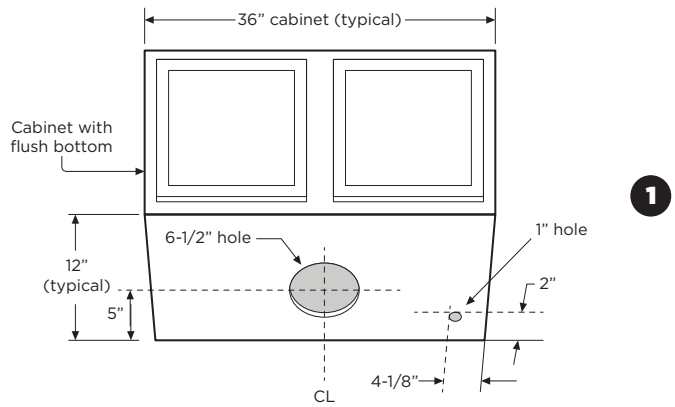
UC-PS18-36

1. Round Vertical Adapter

Cabinet with recessed bottom

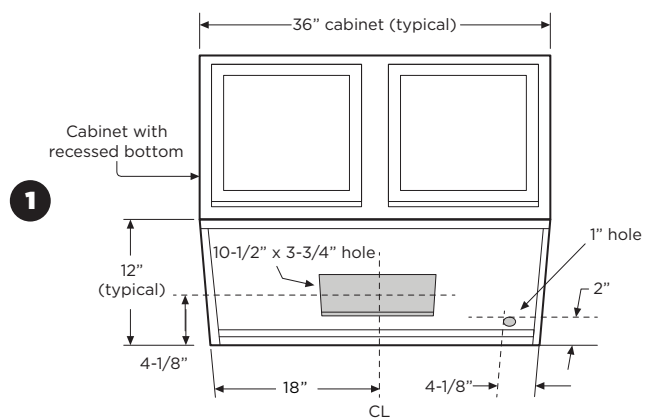


Cabinet or soffit with flush bottom

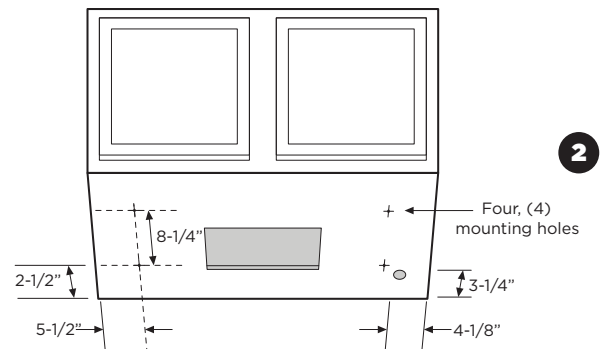
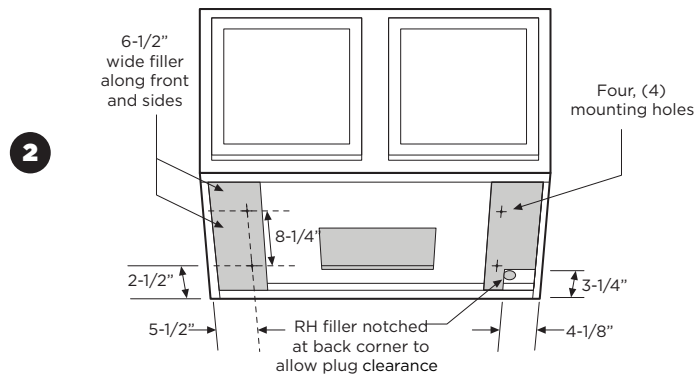
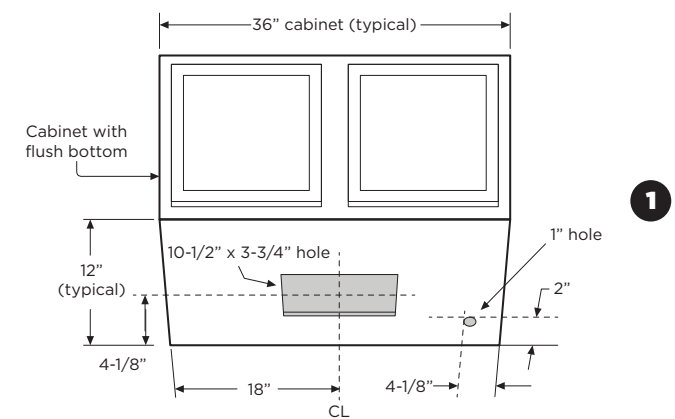


2. Rectangular Vertical Adapter

Cabinet with recessed bottom

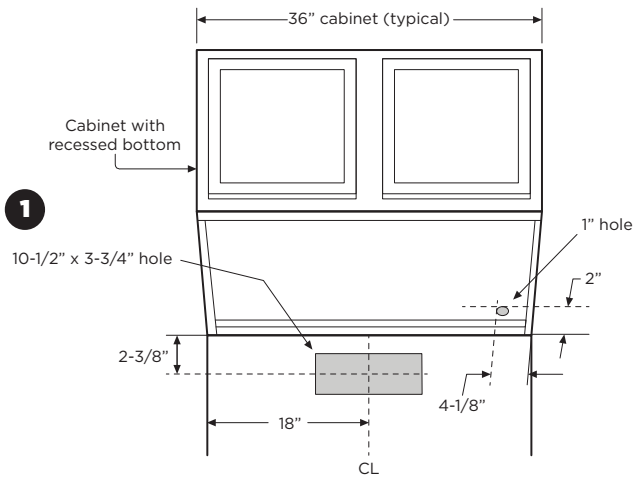


Cabinet or soffit with flush bottom

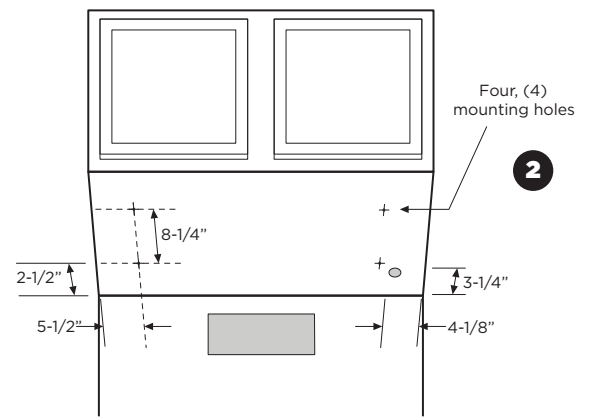
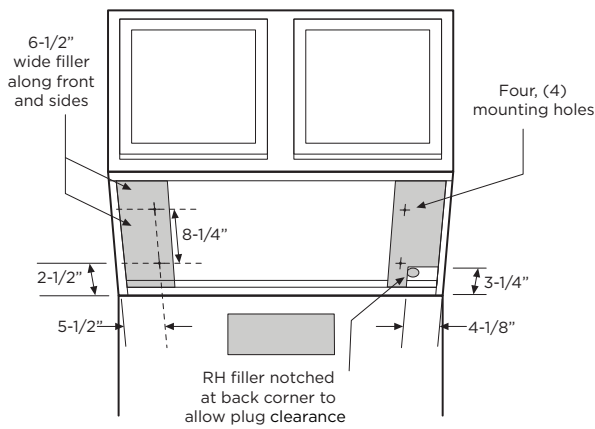
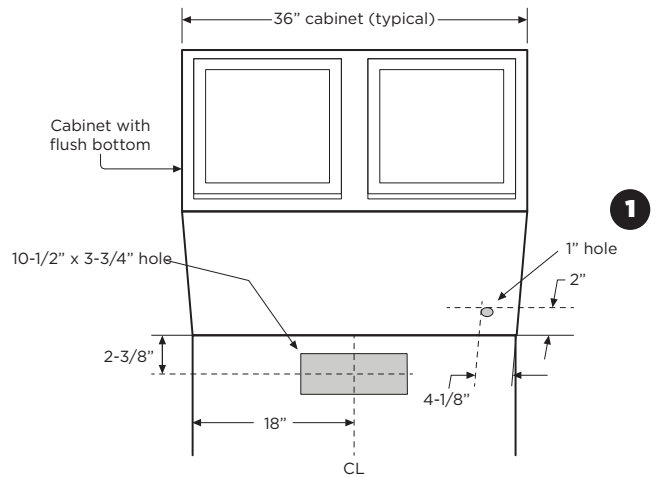


3. Rectangular Horizontal Adapter

Cabinet with recessed bottom



Cabinet with flush bottom



# How to Install Your Range Hood

When you've completed all the preparation steps, you're ready to install your range hood.

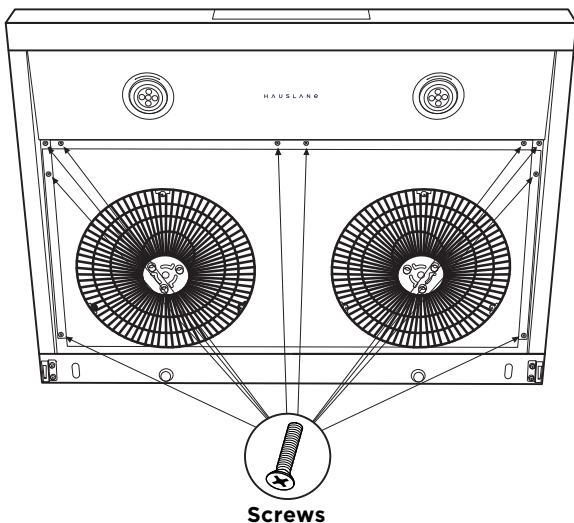
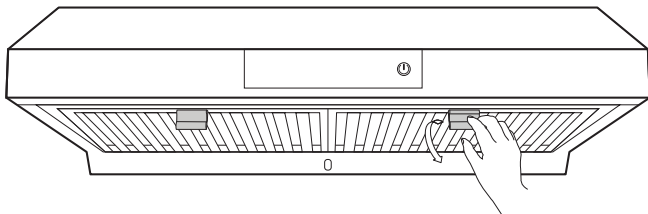
## 1. Test the Unit

Plug the unit into an outlet and press the touch panel to make sure that the unit is working.

**⚠ IMPORTANT:** If the range hood is not working properly, please contact us immediately (**1-800-929-0168** / **info@hauslane.com**).

## 2. Uninstall the Range Hood's Bottom Cover

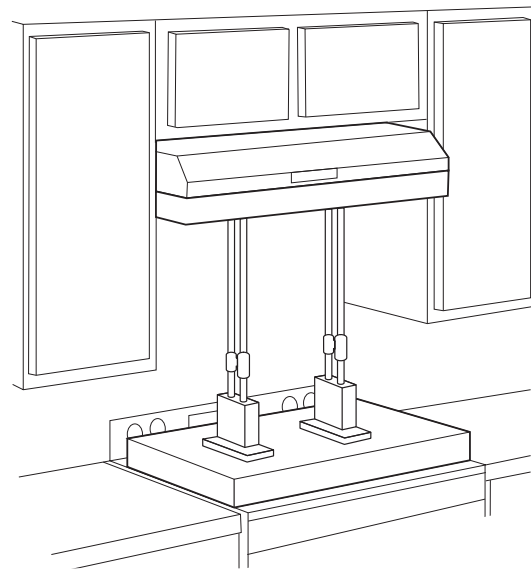
Remove the baffle filter from the hood by pushing the filter knob inward. Slowly pull the filter down and remove gently from the range hood. Then, remove the bottom cover by carefully unscrewing the eight screws as shown.



## 3. Jack Up the Hood

If you are not removing the range, place the plywood (30" x 24") over the range / cooktop to avoid possible damage. Put the cabinet jacks on the plywood and place the second piece of plywood over the two cabinet jacks. Using the cabinet jacks, lift the hood into its position under the cabinet. Ensure that the adapter and power cord enter the cabinet openings and that the power cord is not pinched between the hood and the cabinet.

If you do not wish to use a cabinet jack, you will need three people. Have two helpers holding the range hood in place while the third person inserts the screws to mount the range hood. For cabinet jack operation, please refer to its manual.

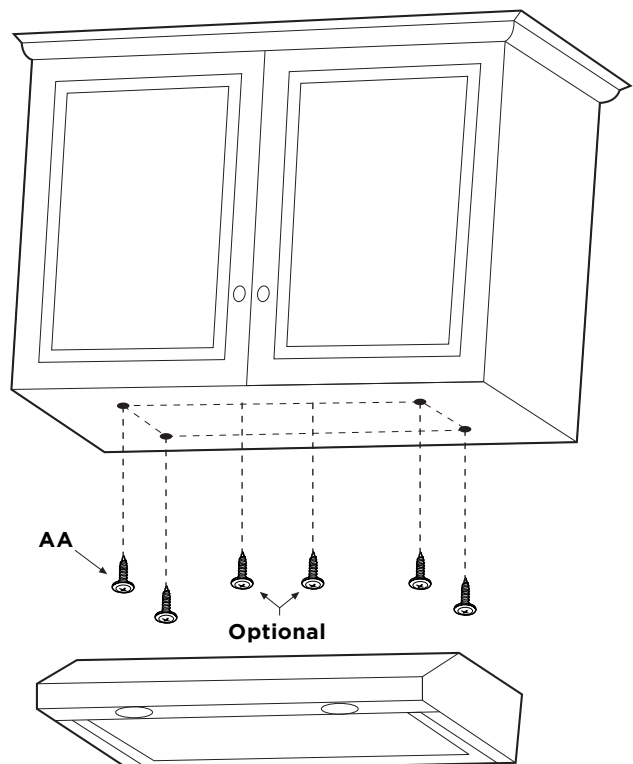


## 4. Screw It into Place

From the bottom of the hood, carefully insert the mounting screws (AA) with washers into each of the pre-drilled mounting holes in the range hood. Start with the front left, then front right.

After the screws are in place for the front mounting holes, work on the rear left, then rear right. If you feel that you need to install the range hood more securely, you can use the additional two mounting screw holes in the front/center.

**TIP:** To easily reach the rear mounting holes, use an extension tool for the power drill.



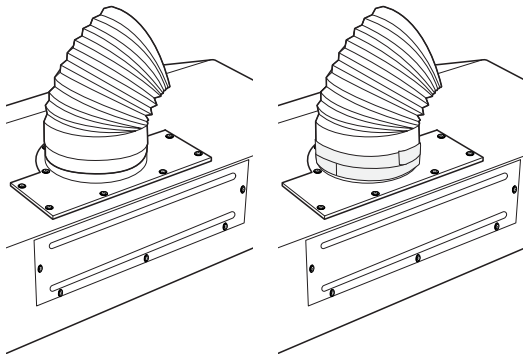
**5. Double-Check Installation and Remove Support**

Be sure that the hood is securely attached before removing the cabinet jacks and plywood.

**6. Connect Damper & Check for Airtightness**

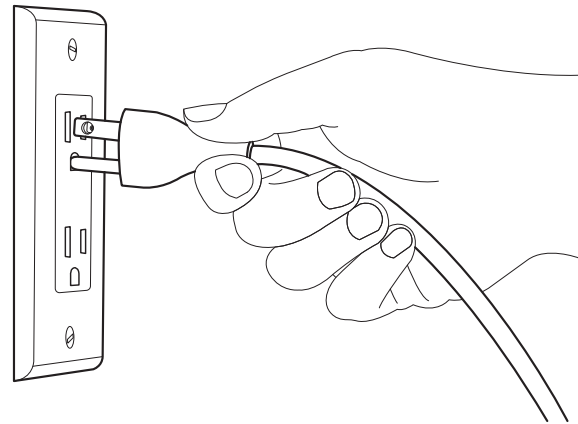
Turn on the hood to make sure that the damper opens and closes freely. This will ensure better and quieter performance. Insert the duct into the adapter, then attach with the two previously loosened screws. Make sure the duct is firmly attached to the adapter and wrap the joint with aluminum foil tape to make it airtight.

**⚠ IMPORTANT:** Be careful when connecting the vent pipe to the adapter. Excessive force might dislodge the damper and fell into the house, which may damage the motor.



**7. Plug the Range Hood in**

Plug the power cable into an outlet.



**8. Reinstall Bottom Cover, Baffle Filters and Grease Collector**

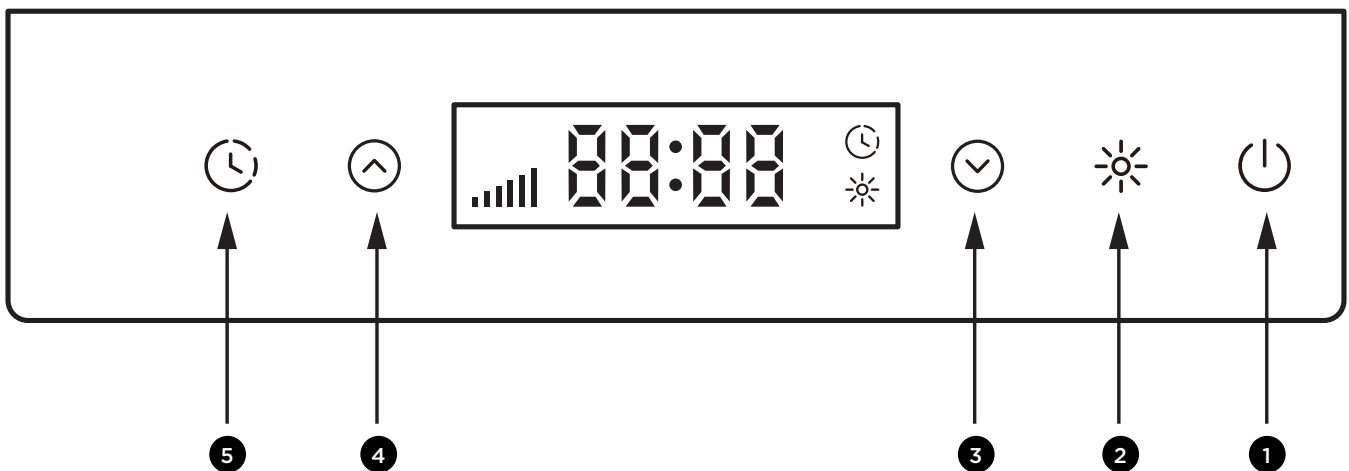
Using the 8 screws you removed earlier, reinstall the bottom cover and then reinstall the baffle filters. Finally, carefully insert the grease collector.

**9. Keep This Manual**

Put this manual in a safe place and keep for further reference.

**How to Use Your Range Hood**

Now that your range hood is installed, it's time to learn how to use it. It is very simple to use and is operated entirely using the front control panel. The display shows the current fan speed level (F1-F6) and the Delay Shut-Off countdown timer. "HL" indicates Standby Mode — the unit is powered on but the fan is not running. If no button is pressed within 30 seconds, the unit will automatically power off.



- 1 On / Off
- 2 Light
- 3 Down
- 4 Up
- 5 Delay auto shut-off function

### 1. How to Turn Light On / Off

This range hood has a single light setting. Press the lightbulb button **2** to turn the light on or off.

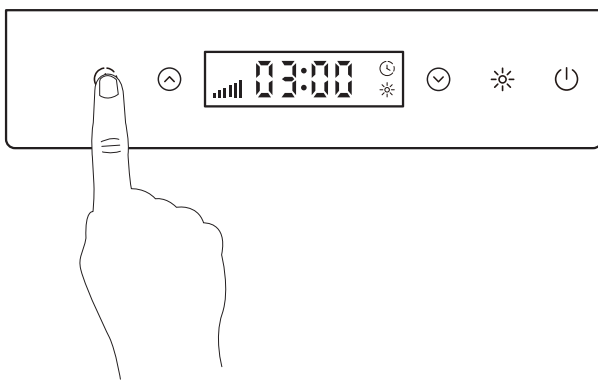
**⚠ CAUTION:** For halogen lamps never touch bulbs during operation; they can get very hot.

### 2. How to Set the Fan Speed

Press the On / Off button **1** to turn the range hood on. To increase / decrease fan speed, use the up / down arrows (**4** & **3**) to find your desired fan speed.

### 3. How to Set the Delay Auto Shut-off

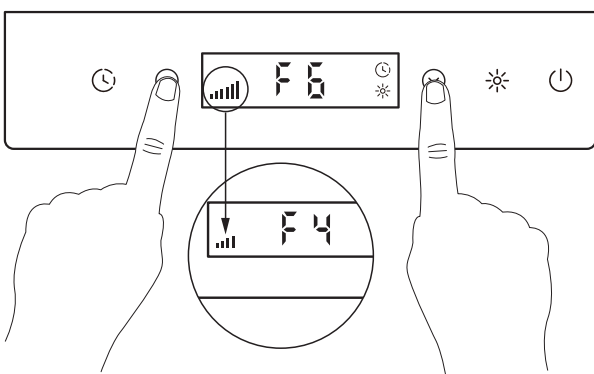
This range hood has a delay auto shut-off button that comes in handy if you need to use your hood for a set period of time. While the fan is operating, press the delay shut-off button **5**. When the delay shut-off indicator comes up on the display, touch the up and down buttons to set the timer anywhere from 1 to 15 minutes.



### 4. Adjusting Maximum Airflow Setting

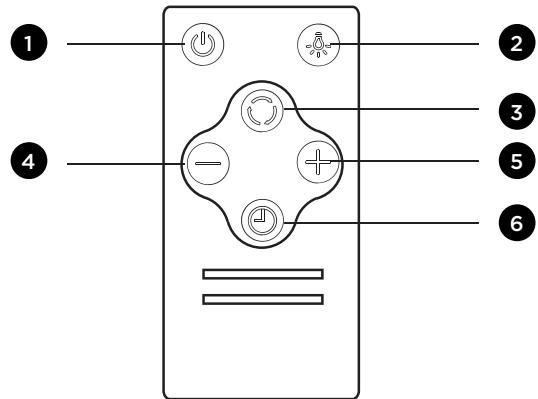
To meet certain building code, the range hood allows you to limit the maximum fan speed so the airflow does not exceed 400 CFM. Press and hold the Up **4** and Down **3** buttons together for 3 seconds to reduce the default maximum airflow from Level 6 (Max. Laboratory Airflow: 500 CFM) to Level 4 (Max. Laboratory Airflow: 350 CFM). The maximum fan speed icon on the display will change from 6 bars to 4 bars.

**⚠ NOTE:** In the U.S. and Canada, many residential building codes require that range hoods over 400 CFM be paired with a make-up air system to prevent negative pressure from affecting other gas appliances. To avoid triggering this requirement, the Level 4 setting is conservatively limited to 350 CFM. This adjustment cannot be reversed. Apply this change carefully to comply with local regulations.



### 5. How to Use the Remote Control

(Remote Control Sold Separately. Part Number: HLRC1.)



- 1** On / Off
- 2** Light
- 3** Auto Button
- 4** Down
- 5** Up
- 6** Delay auto shut-off

- 1** The power button turns the range hood On and Off.
- 2** The light button turns the light On and Off.
- 3** The auto button turns the range hood to the highest fan speed.
- 4** and **5** buttons adjust the fan speed and adjust the hour / minutes up or down.
- 6** When the fan is running, press **6** to activate the Delay Shut-off function. The default delay time is 3 minutes. Use the **4** and **5** buttons to adjust the timer between 0-15 minutes.

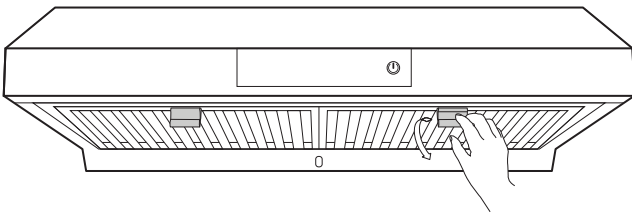
## Basic Maintenance Instructions

Your range hood requires some easy routine maintenance to keep it running efficiently.

### Maintaining the Baffle Filters

Clean the grease filters frequently—we suggest cleaning every 2 weeks. For your convenience, the filters are dishwasher safe!

1. Remove the baffle filters from the hood by pushing the filter knob inward. Then, carefully pull the baffle filter down and remove it gently.



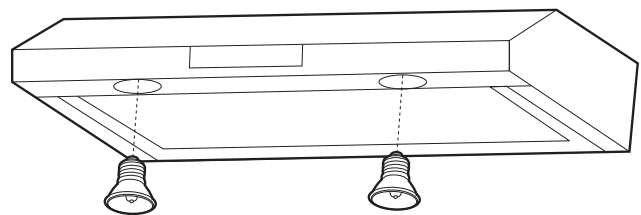
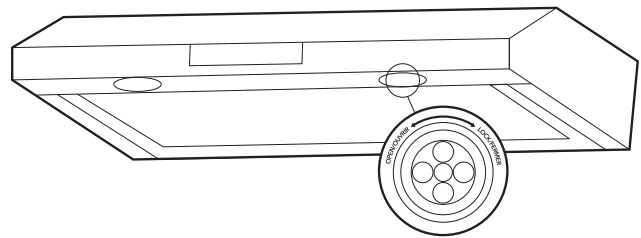
2. Clean the baffle filters with warm water and detergent, or place them in the dishwasher. Be careful with the filters to avoid damage.
3. Let the baffle filters dry completely.
4. Reinstall the baffle filters.

### Maintaining the Lighting

**⚠ CAUTION:** Always switch off the electrical supply before replacing LED lamps.

This range hood uses two GU-10 LED light bulbs.

1. Switch off power and wait for 5 minutes to ensure bulbs have cooled down.
2. Wearing protective gloves, rotate the light bulb counter-clockwise to disengage the bulb.
3. Place the new light bulb into the socket and rotate clockwise until fixed.



### Cleaning the Range Hood

This range hood will look great and function correctly for a long time with proper care.

Here are a few do's and don't's when caring for your range hood.

**⚠ WARNING:** Failure to maintain basic standards of care and cleaning will increase the risk of fire.

DO'S	DONT'S
Clean the range hood with warm, soapy cloth or a stainless-steel polish.	Don't use cleaners or cloths that are corrosive or abrasive. Don't use detergents with ingredients like chloride, iodide, or fluoride.
Clean the hood in line with the grain of the stainless steel.	Don't leave dirt or soap residue on the hood. This can damage the surface. Wash the hood's surface and rinse immediately with clean water.
After cleaning with soap, rinse with clean water and wipe with a clean, dry cloth.	Don't let particles, especially construction particles (from sanding, etc.) enter the hood. Cover the hood during room renovations.
Check the ducts and vents regularly to make sure they are not clogged.	Don't use flammable agents near the stove, as these can cause explosions.

## Troubleshooting Tips

**⚠ WARNING:** Please turn off the power circuit or power breaker panel before troubleshooting this range hood.

Failure to do so can cause death or serious injury.

PROBLEM	SOLUTION
My range hood won't work.	<ol style="list-style-type: none"> <li>1. Make sure the power supply and wiring are connected securely.</li> <li>2. Double-check to see that the power breaker is on and the power supply is live.</li> <li>3. Check to see that the control panel cables are connected correctly to the switchboards.</li> </ol>
My range hood vibrates while the fan is operating.	<ol style="list-style-type: none"> <li>1. Check to ensure the hood is firmly secured to the cabinet/wall. Tighten or add screws if necessary.</li> <li>2. Confirm that the motor is firmly in place and secured safely. If it is not, tighten it.</li> <li>3. If those steps haven't resolved the issue, your fan may be damaged. If it is damaged, you may need to replace it.</li> </ol>
The fan is operating weakly.	<ol style="list-style-type: none"> <li>1. Double-check to ensure the duct size is correct.</li> <li>2. Clean ducts or filters if they're dirty. Also, check to make sure the mesh enclosure on the hood is receiving proper air ventilation.</li> <li>3. If possible, check to see that the damper is functioning properly regarding the opening.</li> </ol>
The fan is not working properly even though the lights are working.	<ol style="list-style-type: none"> <li>1. Double-check that the fan is not jammed /that it isn't scraping any of the surfaces of the hood.</li> <li>2. If this doesn't work, you may need to replace the motor as it may be defective.</li> </ol>
The vent hood is not working efficiently.	<ol style="list-style-type: none"> <li>1. The minimum distance between the cooking area and the appliance should be 24" or 30" maximum. Check to see if this is correct.</li> <li>2. Make sure that the duct is not susceptible to easy wind opening.</li> <li>3. Make sure the fan speed is at the appropriate rate. The heavier the cooking, the greater the speed of the hood should be set.</li> <li>4. Closing the windows and doors in the room will allow the vent to work much better.</li> <li>5. As noted during the installation process, all ductwork must be done correctly. You may need to reduce the length of ductwork or reduce elbows.</li> <li>6. Make sure all joinery in ductwork is sealed and secured properly.</li> </ol>
The light is not working.	<ol style="list-style-type: none"> <li>1. Check to see if lightbulb is loose and needs to be tightened.</li> <li>2. If tightening doesn't fix the problem, replace bulb with a new one and see if that solves the issue.</li> <li>3. If replacement and/or tightening does not solve, you may need to replace the lighting service system on the hood.</li> </ol>
The touch panel is not responding.	<ol style="list-style-type: none"> <li>1. Perform a power cycle reset by unplug the power cord, wait 10 seconds, and plug the power cord back.</li> <li>2. If Step 1 doesn't resolve the issue, please contact us immediately for a control panel replacement.</li> </ol>

Still experiencing problems after following these steps?

Contact a technician to assist. Contact us at **1-800-929-0168** or **info@hauslane.com**.



### **American with Disabilities**

#### **Act Compliant Product**

This ADA-compliant range hood can be operated via remote control, enhancing safety for users of all abilities.



### **Extended Warranties**

If you are interested in an extended warranty, sign up on our website at [www.hauslane.com](http://www.hauslane.com)



### **Parts and Accessories**

If you need replacement parts or accessories, visit [www.hauslane.com](http://www.hauslane.com)



### **Contact Us**

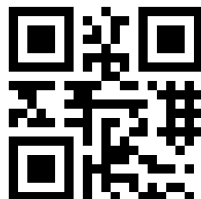
We'd be happy to answer your questions or resolve any issues you may have.

Phone: **1-800-929-0168**

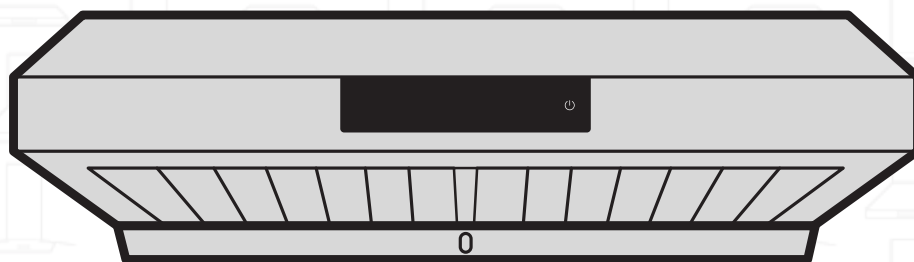
Email: [info@hauslane.com](mailto:info@hauslane.com)



Find Us and Connect with Us  
**@HauslaneOfficial**



# GUIDE DE L'UTILISATEUR



|| Série de modèles UC-PS18

HAUSSLANE

## Table des matières

<b>Informations sur la sécurité</b> .....	18	Mettre la hotte en place.....	27
<b>Informations sur la garantie</b> .....	19	Visser la hotte en place.....	27
<b>Spécifications</b> .....	20	Vérifier l'installation et retirer le support.....	28
<b>Contenu</b> .....	20	Connecter l'évent.....	28
<b>Les outils qu'il faut</b> .....	20	Brancher la hotte.....	28
<b>Préparation: Ce qu'il faut faire avant l'installation</b> .	21	Réinstaller le couvercle inférieur et des filtres à chicanes.....	28
Lire ce guide.....	21	Conserver ce guide.....	28
Rassembler les outils nécessaires.....	21	<b>Comment utiliser votre hotte</b> .....	<b>28</b>
Inspecter l'appareil.....	21	Utilisation du panneau de contrôle avant.....	29
S'assurer que la hauteur libre est suffisante.....	21	Réglage du débit d'air maximal.....	29
Vérifier votre alimentation électrique et vos conduits.....	21	Utilisation de la télécommande.....	29
Déterminer les besoins en conduits et installer l'adaptateur.....	21	<b>Instructions de base pour l'entretien</b> .....	<b>30</b>
Préparer l'armoire (Soffit).....	22	Entretien du déflecteur de graisse en acier inoxydable...30	
Trouver un assistant.....	22	Entretien de l'éclairage.....	30
<b>Comment installer votre hotte de cuisine</b> ....	27	Nettoyage de la hotte de cuisine.....	30
Tester l'appareil.....	27	<b>Conseils de dépannage</b> .....	31
Désinstaller le couvercle inférieur de la hotte de cuisine.....	27	<b>Contacteur Hauslane</b> .....	32

## Informations sur la sécurité

Avant d'installer votre hotte, lisez attentivement l'intégralité du guide de l'utilisateur. Les installateurs doivent laisser ce guide au propriétaire de la maison.

### **⚠ AVERTISSEMENT**

**L'APPAREIL NE PEUT ÊTRE UTILISÉ QUE DANS UNE ZONE DE CUISSON DOMESTIQUE. POUR RÉDUIRE LES RISQUES D'INCENDIE, D'ÉLECTROCUTION OU DE BLESSURE, OBSERVEZ CE QUI SUIT :**

1. N'utilisez cette hotte que de la manière prévue par le fabricant. Si vous avez des questions, contactez Hauslane au **800.929.0168** ou par courriel à **info@hauslane.com**.
2. Avant toute opération d'entretien ou de nettoyage, coupez l'alimentation au niveau du panneau de service et verrouillez ce dernier afin d'éviter toute remise sous tension accidentelle. Si le dispositif de déconnexion ne peut être verrouillé, fixer solidement un dispositif d'avertissement bien visible, tel qu'une étiquette, sur le panneau de service.
3. L'installation et le câblage électrique doivent être effectués par du personnel qualifié conformément à tous les codes et normes applicables, y compris les codes et normes de construction résistants au feu.
4. Un apport d'air suffisant est nécessaire pour assurer une combustion adéquate et l'évacuation des gaz par le conduit (cheminée) des appareils de combustion afin d'éviter les retours de fumée. Suivez les directives du fabricant de l'équipement de chauffage ainsi que les normes de sécurité publiées par la National Fire Protection Association (NFPA), l'American Society for Heating, Refrigeration and Air Conditioning Engineers (ASHRAE), et les autorités locales compétentes.
5. Lorsque vous découpez ou percez un mur ou un plafond, n'endommagez pas les câbles électriques et autres installations cachées.
6. Les ventilateurs aspirants doivent toujours être ventilés vers l'extérieur.
7. N'utilisez cet appareil avec un dispositif de contrôle de la vitesse à semi-conducteurs.

8. Pour réduire le risque d'incendie, n'utilisez que des conduits en acier.

9. Cet appareil doit être mis à la terre.

### **POUR RÉDUIRE LE RISQUE D'INCENDIE DE GRAISSE SUR LA CUISINIÈRE :**

1. Ne laissez jamais les appareils de surface sans surveillance à des réglages élevés. Les débordements provoquent des fumées et des débordements graisseux qui peuvent s'enflammer. Faites chauffer les huiles lentement à feu doux ou moyen.
2. Mettez toujours la hotte en marche lorsque vous cuisinez à feu vif ou lorsque vous cuisinez des aliments enflammés.
3. Nettoyez fréquemment les ventilateurs. La graisse ne doit pas s'accumuler sur le ventilateur ou le filtre.
4. Utilisez une casserole de taille appropriée. Utilisez toujours des ustensiles de cuisine adaptés à la taille de l'élément de surface.

### **⚠ AVERTISSEMENT**

**POUR RÉDUIRE LES RISQUES DE BLESSURES EN CAS D'INCENDIE DE GRAISSE SUR LE DESSUS DE LA CUISINIÈRE, RESPECTEZ LES CONSIGNES SUIVANTES :**

1. ÉTOUFFEZ LES FLAMMES à l'aide d'un couvercle hermétique, d'une plaque à biscuits ou d'un plateau métallique, puis éteindre le brûleur. SOYEZ PRUDENT POUR ÉVITER LES BRÛLURES. SI LES FLAMMES NE S'ÉTEIGNENT PAS IMMÉDIATEMENT, ÉVACUEZ LES LIEUX ET APPELEZ LES POMPIERS.
2. Ne ramassez jamais une casserole enflammée, vous risqueriez de vous brûler.
3. N'UTILISEZ JAMAIS D'EAU — y compris des torchons ou des serviettes mouillés. Cela pourrait provoquer une explosion violente de vapeur.
4. Utilisez un extincteur SEULEMENT si :
  - A. vous possédez un extincteur de classe ABC et que vous savez comment l'utiliser.

- B. l'incendie est limité et circonscrit.
- C. les pompiers ont été appelés.
- D. vous pouvez lutter contre le feu en tournant le dos vers une sortie.

\*Basé sur « Kitchen Fire Safety Tips » (les conseils de sécurité pour cuisine) publié par la National Fire Protection Association (Association nationale de protection contre l'incendie) des États-Unis.

### **ATTENTION**

1. Cette hotte est conçue pour une utilisation générale de ventilation uniquement. Ne l'utilisez pas pour évacuer des matières et des vapeurs dangereuses ou explosives.
2. Pour éviter d'endommager les roues et de les rendre bruyantes et/ou déséquilibrées, ne laissez pas de cloisons sèches, de poussière de construction, etc. sur l'appareil.
3. Installez votre hotte de manière à ce que le bas de la hotte se trouve entre 24 " (600 mm) et 30 " (762mm) au-dessus de la surface de cuisson. La distance minimale entre la hotte et la surface de cuisson ne doit pas être inférieure à 24 " (600 mm) ; toute installation à moins de 24 " (600 mm) peut entraîner une surchauffe et endommager

la hotte. Pour les cuisinières à gaz, la distance requise est de 30 " (762 mm). Ne dépassez pas la hauteur maximale de 30 " (762 mm) pendant le fonctionnement. HAUSLANE ne garantit pas cette mauvaise installation.

4. Il est recommandé de faire appel à deux ou trois installateurs en raison de la taille et du poids importants de cette hotte.
5. Pour réduire le risque d'incendie et évacuer correctement l'air, veillez à évacuer l'air à l'extérieur. Ne pas évacuer l'air dans les espaces entre les murs et les plafonds, ni dans les greniers, les vides sanitaires ou les garages.
6. En raison de la grande capacité d'évacuation de cette hotte, vous devez vous assurer que suffisamment d'air entre dans la maison pour remplacer l'air évacué en ouvrant une fenêtre près de la cuisine ou dans la cuisine.
7. N'utilisez cette hotte qu'avec une trousse de raccord approuvée.
8. Veuillez lire l'étiquette de spécification du produit sur la hotte pour de plus amples informations et exigences.

## Informations sur la garantie

Cette hotte est garantie à l'acheteur d'origine contre tout défaut de matériau et de fabrication pendant deux (2) ans à compter de la date d'achat.

Notre obligation se limite à la réparation ou au remplacement d'une unité (à notre discrétion) qui s'avérerait, selon notre seul examen, défectueuse dans des conditions normales d'utilisation et d'entretien au cours de la période de garantie. Nous pouvons accorder un crédit du montant de la valeur de la facture du produit défectueux (ou d'un pourcentage de celle-ci en fonction de l'utilisation) au lieu d'une réparation ou d'un remplacement.

Toute défaillance de ce produit qui n'est pas imputable à un défaut de matériau ou de fabrication n'est pas couverte par la présente garantie. Ces éléments non couverts par la garantie incluent, mais ne sont pas limités à :

- défauts ou dommages éventuels des ampoules ;
- changement de couleur ou de finition dû à l'utilisation de produits chimiques ;
- installation incorrecte et non conforme aux instructions ;
- bosses et éraflures survenues pendant l'expédition, la manutention ou l'installation ;
- dommages causés par le non-respect des consignes d'entretien et de nettoyage, y compris les dommages causés par l'utilisation de nettoyeurs abrasifs ;
- modifications apportées à l'appareil par l'acheteur ou l'installateur ;
- dommages causés par choc accidentel, incendie, inondation, gel et usure normale ;
- courbures et déformations causées par des connexions forcées, des raccords trop serrés et un support inadéquat lors de l'installation.

Une inspection minutieuse doit être effectuée avant l'installation, et tout dommage doit être signalé rapidement. Nous ne serons pas responsables des défaillances ou des dommages qui auraient pu être découverts ou évités par une inspection et des essais appropriés avant l'installation.

Les réparations accessoires qui impliqueraient un minimum de temps et d'efforts de la part de l'acheteur ne seront pas considérées comme des travaux sous garantie et aucune compensation ne sera accordée.

Cette garantie n'est pas transférable et sera annulée si

l'appareil est retiré de son installation initiale ou s'il n'est pas installé conformément aux instructions.

En aucun cas, nous ne pouvons être tenus pour responsables des dommages corporels, matériels ou immatériels, les blessures ou les dommages matériels résultant d'une installation ou d'une utilisation incorrecte de ce produit. Nous ne serons pas tenus responsables des désagréments causés par la perte d'utilisation de ce produit, des coûts de main-d'œuvre ou de matériaux, de l'enlèvement et de l'installation d'unités de remplacement, ou de tout autre dommage accessoire ou indirect. Les coûts liés à l'obtention de l'accès pour la réparation ou le remplacement sont à la charge de l'utilisateur.

Cette garantie ne s'étend pas à l'installation ou à l'utilisation commerciale ou institutionnelle.

### Procédure de réclamation au titre de la garantie

En cas de défaut donnant lieu à réclamation, veuillez contacter notre service clientèle au **800.929.0168** (de 8 heures à 17 heures, heure de Paris, du lundi au vendredi), ou envoyez-nous un courriel à **info@hauslane.com**.

Avant d'appeler le service des réclamations, assurez-vous que vous avez :

- Une description de la hotte ;
- Preuve de vente ;
- Détails concernant le défaut ;
- Nom(s) et adresse(s) du propriétaire et de l'installateur.

Les demandes doivent être remplies par écrit et renvoyées dans un délai de six (6) mois après l'apparition d'un défaut. Le non-respect de cette disposition rendra la présente garantie nulle et non avenue. Nous nous réservons un délai de trente jours (30) après la réception d'une réclamation pour inspecter le produit. Nous n'assurons aucune responsabilité pour les coûts de main-d'œuvre, le retrait ou le remplacement d'un produit déjà installé, le transport ou le retour d'un produit.



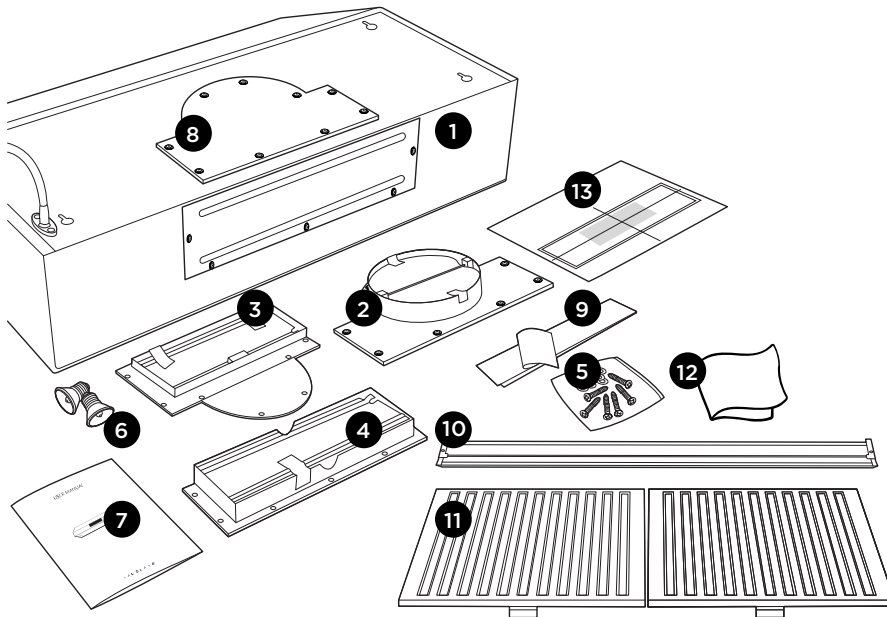
### **RÉSIDENTS DE CALIFORNIE UNIQUEMENT AVERTISSEMENT:**

Cancer et effets néfastes sur la reproduction  
www.P65Warnings.ca.gov

## Spécifications

Dimensions	Volts	Hertz	Ventilateur CFM	Vitesses	Puissance lumineuse	Qualité de l'acier inoxydable
30" : 29 3/4" (756mm) L x 22" (559mm) P x 8" (203mm) H	120	60	Débit d'air équivalent : 860 Débit d'air en laboratoire : 500	6	3W x 2	430
36" : 35 3/4" (908mm) L x 22" (559mm) P x 8" (203mm) H						

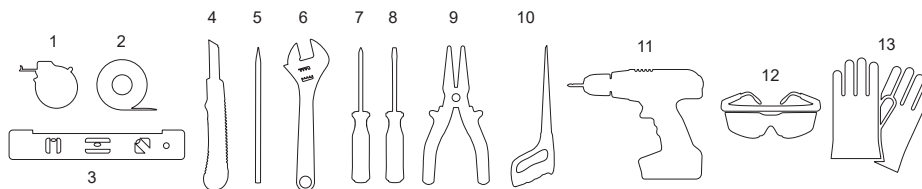
## Contenu



- 1 hotte de cuisine
- 2 adaptateur rond
- 3 adaptateur rectangulaire vertical
- 4 adaptateur rectangulaire horizontal
- 5 sachet de vis (AA)
- 6 ampoule DEL 2 x 3 W (préinstallé)
- 7 guide de l'utilisateur
- 8 couvercle d'étanchéité (préinstallé)
- 9 ruban d'aluminium
- 10 déflecteur de graisse en acier inox
- 11 2 x filtre à chicanes (UC-PS18-30)  
3 x filtre à chicanes (UC-PS18-36)  
(préinstallé)
- 12 chiffon de nettoyage
- 13 gabarit de montage

## Les outils qu'il faut

Avant de commencer le processus d'installation, rassemblez les outils suivants :



- 1 ruban à mesurer
- 2 ruban adhésif en aluminium
- 3 niveau
- 4 couteau utilitaire
- 5 crayon
- 6 clé à mollette
- 7 tournevis
- 8 tournevis plat
- 9 pince à bec
- 10 cruciforme scie cloche 1" (25 mm)
- 11 perceuse électrique et mèche à tête allongée
- 12 lunettes de sécurité
- 13 gants de sécurité

# Préparation : ce qu'il faut faire avant l'installation

Avant d'installer votre hotte, suivez attentivement les étapes suivantes :

## 1. Lire ce guide

Lisez toutes les étapes. Si vous ne lisez pas attentivement ces instructions, nous ne serons pas responsables des dommages que vous pourriez subir. Si vous n'êtes pas sûr de pouvoir installer correctement la hotte, nous vous recommandons de faire appel à un technicien certifié pour effectuer l'installation.

## 2. Rassembler vos outils

Assurez-vous que vous disposez de tous les outils nécessaires conformément à la page précédente.

## 3. Inspecter l'unité

Déballer l'appareil et vérifiez que votre hotte n'est pas endommagée et qu'il ne manque aucune pièce. Branchez-la sur une prise de courant pour vous assurer que le ventilateur et les lumières fonctionnent. Si un élément est endommagé ou manquant, contactez le vendeur pour résoudre le problème. Ne jetez pas l'emballage avant d'être sûr d'être pleinement satisfait du produit.

## 4. S'assurer que la hauteur libre est suffisante

Pour obtenir les meilleures performances, le bas de la hotte doit se situer entre 24 " (600 mm) et 30 " (760 mm) du haut de la surface de cuisson. Pour les cuisinières à gaz, la distance requise est de 30 " (760 mm). Ne dépassez pas la hauteur maximale de 30 " (760 mm) lorsque l'appareil fonctionne. Ceci est très important! L'installation à une hauteur incorrecte peut entraîner une réduction drastique des performances de la cuisinière, voire provoquer un incendie.

## 5. Vérifier l'alimentation électrique et les conduits

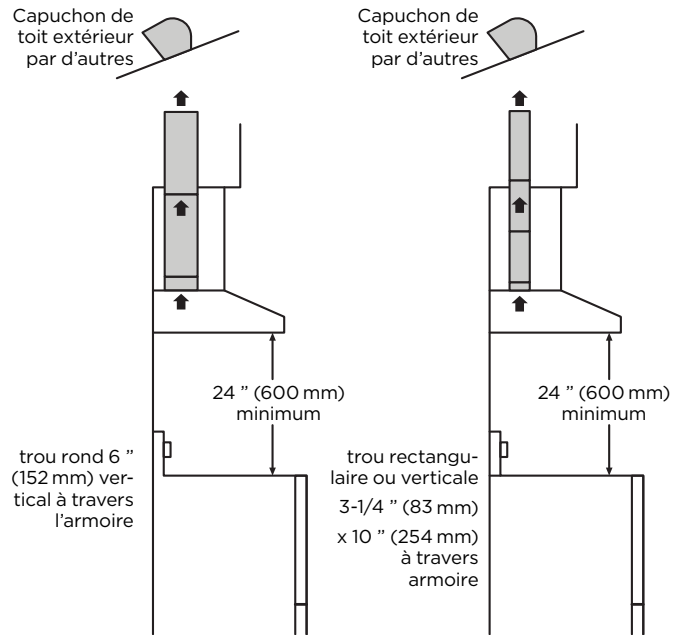
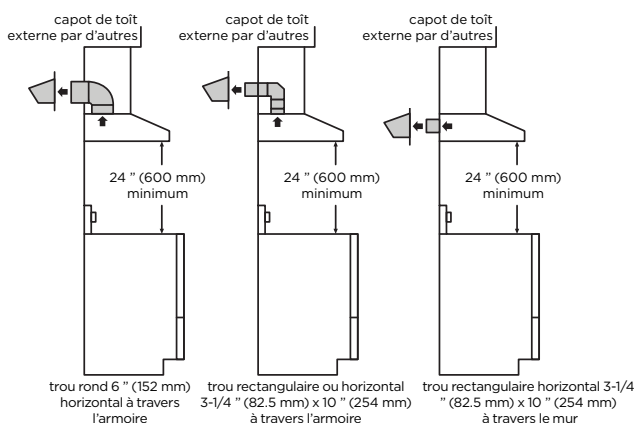
Vérifiez que votre tension principale est conforme à la tension requise indiquée sur la plaque signalétique à l'intérieur de cette hotte. Vérifiez également l'alimentation électrique domestique afin de garantir une mise à la terre adéquate avant l'installation.

Cette hotte doit être raccordée à un conduit d'évacuation vers l'extérieur. Ne raccordez pas la hotte à une bouche d'aération qui transportent des fumées de combustion, comme les cheminées, les chaudières ou tout autre appareil similaire. Les bouches d'aération doivent être courts et droits jusqu'à l'extérieur. Si un coude est nécessaire, il est impératif de le précéder d'au moins 12 " (305 mm).

## 6. Déterminer les besoins en conduits et installer l'adaptateur

Cette hotte nécessite un conduit vers l'extérieur pour la ventilation. Cette hotte est livrée préinstallée avec un adaptateur vertical rond de 6 " (152 mm). L'ensemble est livré avec un adaptateur rectangulaire horizontal et un adaptateur rectangulaire vertical.

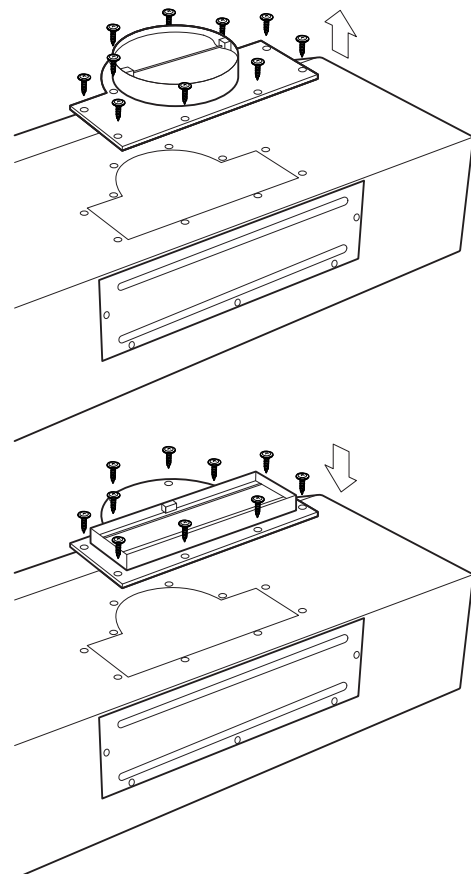
Examinez le conduit sur lequel vous allez fixer la hotte.



### S'agit-il d'un conduit vertical rectangulaire?

Si c'est le cas, retirez l'adaptateur rond préinstallé sur l'appareil en enlevant les 10 vis. Remettez l'adaptateur rectangulaire à sa place et serrez l'adaptateur à l'aide des 10 vis précédemment remises en place. Retirez le ruban adhésif qui tient le clapet anti-retour en place.

**IMPORTANT :** Si le ruban adhésif n'est pas retiré du clapet anti-retour, les performances de ce dernier s'en trouveront réduites. Veillez à installer le joint en caoutchouc noir existant.



### S'agit-il d'un conduit rond de 6 pouces (152 mm)?

Vous n'aurez pas à faire de préparatifs supplémentaires. La hotte se fixe directement sur votre conduit. Veillez à retirer le ruban adhésif qui retient les clapets.

**⚠ IMPORTANT :** Si le ruban adhésif n'est pas retiré de l'amortisseur, les performances de ce dernier s'en trouveront réduites. Veillez à installer aussi le joint en caoutchouc noir existant.

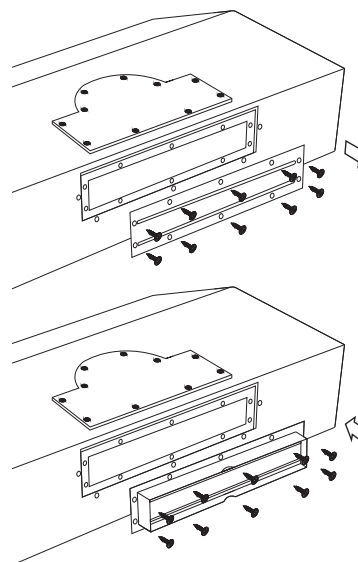
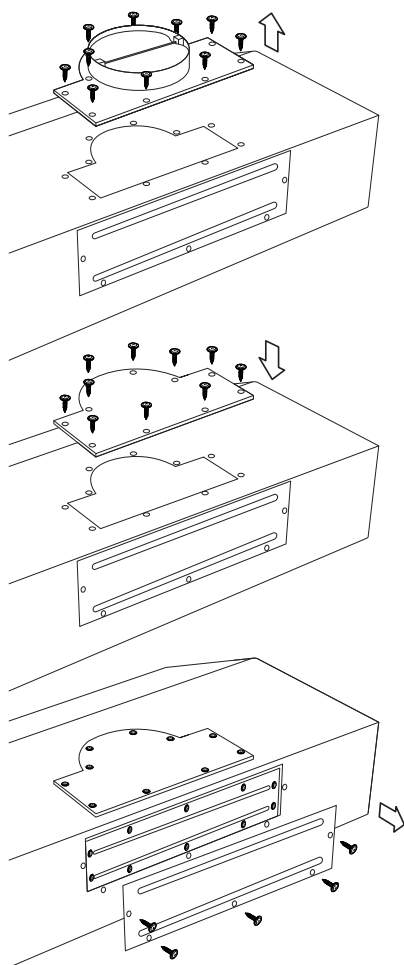
### S'agit-il d'un conduit horizontal rectangulaire?

Si c'est le cas, retirez l'adaptateur rond existant en enlevant les 10 vis. Couvrir l'ouverture avec la plaque d'obturation et la fixer avec les 10 vis. L'ouverture ronde devient alors inutile et vous pouvez procéder à l'installation des dispositifs appropriés pour l'évacuation horizontale.

Dévissez les 5 vis, et enlevez avec précaution la grande plaque d'obturation située à l'arrière de la hotte. Ensuite, retirez avec précaution les 8 vis qui maintiennent le petit couvercle d'étanchéité à l'intérieur de l'arrière de la hotte.

Fixez l'adaptateur rectangulaire horizontal à l'arrière de la hotte. Fixez-le à l'aide des 8 vis que vous avez retirées de la petite plaque d'obturation. Retirez le ruban adhésif qui maintient les volets.

**⚠ IMPORTANT :** Si le ruban adhésif n'est pas retiré du clapet anti-retour, les performances de ce dernier s'en trouveront réduites. Veillez à installer le joint en caoutchouc noir existant.



## 7. Préparation de l'armoire (Soffit)

Mesurez la taille de l'adaptateur de prise par rapport à l'armoire. Si ce n'est pas déjà fait, vous devrez découper une ouverture dans le meuble pour que l'adaptateur de prise et le câble d'alimentation puissent passer. Si vous devez le faire, marquez la zone à l'aide d'un crayon et d'une règle, puis découpez-la à l'aide d'une scie murale/à trous de serrure.

Si vous installez le modèle de hotte UC-PS18-30 sous une armoire avec un fond encastré, nous vous conseillons d'utiliser des cales en bois de 4" (100 mm) de chaque côté pour stabiliser l'armoire à des fins de montage. Pour l'UC-PS18-36, nous recommandons d'utiliser des cales en bois de 6" (152 mm) de chaque côté pour un montage plus facile et plus sûr.

## 8. Trouver un assistant

En raison de sa taille et de son poids, il est préférable que cette hotte soit installée par au moins deux personnes. Là encore, il est conseillé de faire appel à un technicien certifié pour l'installation afin de réduire les risques de dommages ou de blessures.

## 9. Vérifier le clapet anti-retour

Avec votre aide, maintenez la hotte en position sous le meuble. Vérifiez que l'adaptateur pénètre correctement dans le conduit. Assurez-vous ensuite que le registre s'ouvre et se ferme librement. Vous obtiendrez ainsi des performances supérieures et plus silencieuses.

**⚠ IMPORTANT :** Ouvrez toujours complètement le clapet anti-retour. Un clapet à moitié ouvert entraînera un refoulement — c'est-à-dire que l'air passera à travers la hotte dans la cuisine.

## 10. Retirer la cuisinière en toute sécurité

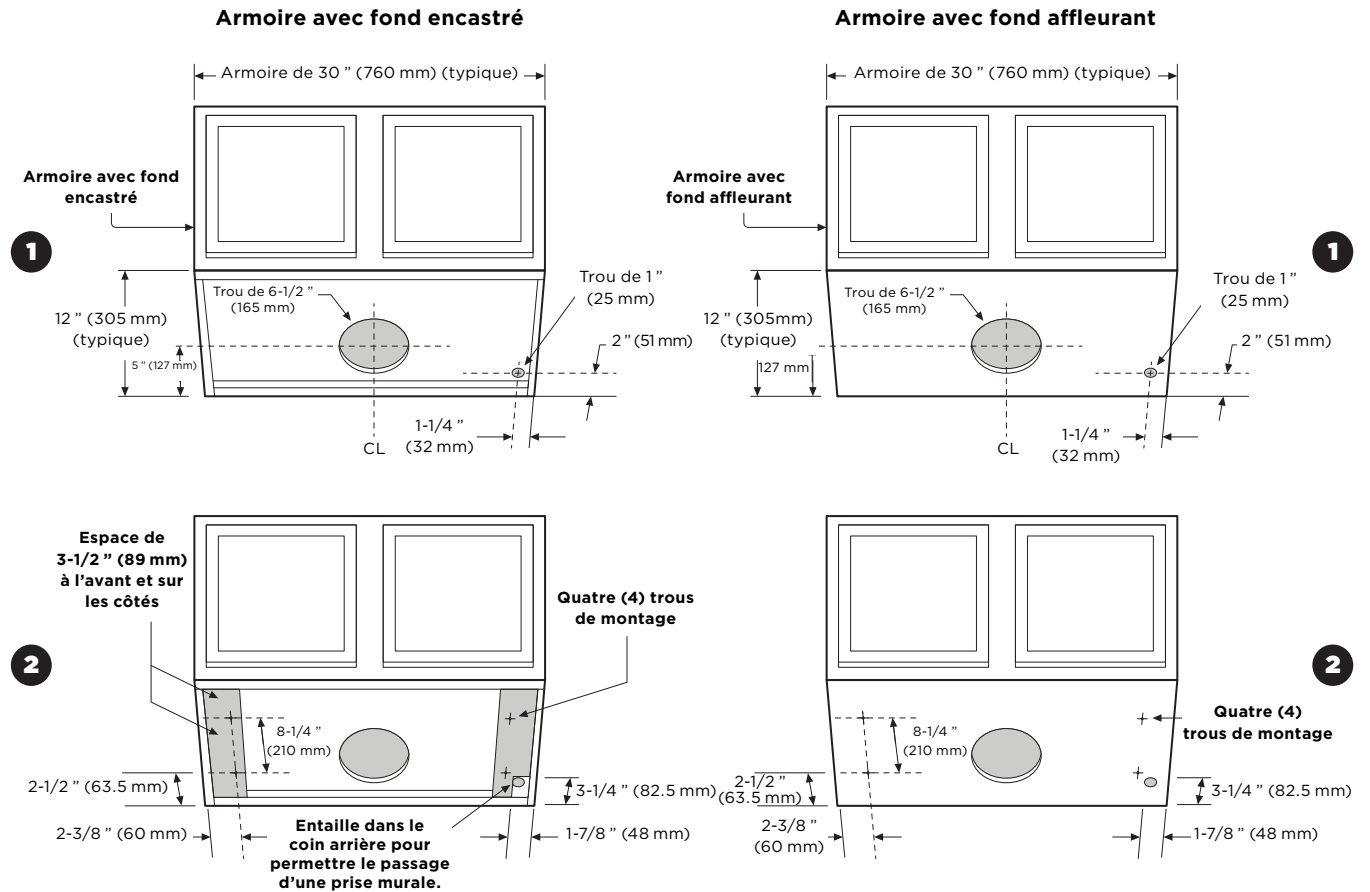
Vous n'aurez peut-être pas besoin de démonter votre four ou votre cuisinière. Toutefois, si c'est le cas, suivez les consignes de sécurité suivantes : coupez l'alimentation de la cuisinière à partir de l'interrupteur principal. S'il s'agit d'une cuisinière à gaz, coupez l'alimentation principale en gaz.

## 11. Gabarit de montage

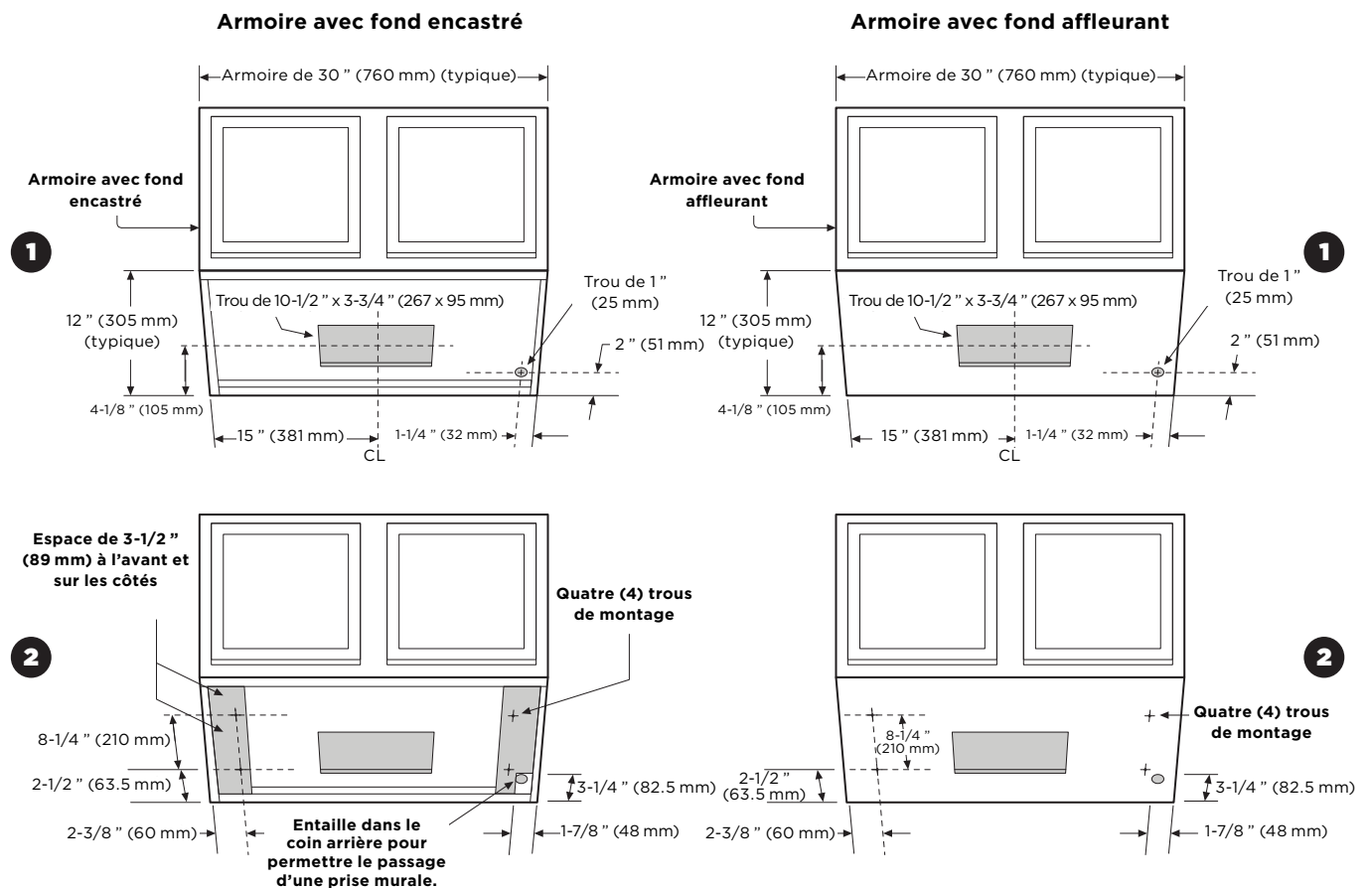
Un gabarit de montage est inclus dans l'emballage pour faciliter une installation précise et plus simple.

UC-PS18-30

1. Adaptateur vertical rond

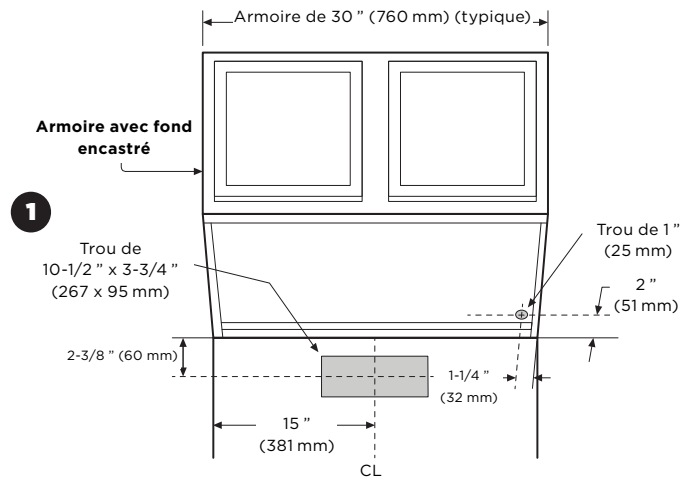


2. Adaptateur vertical rectangulaire

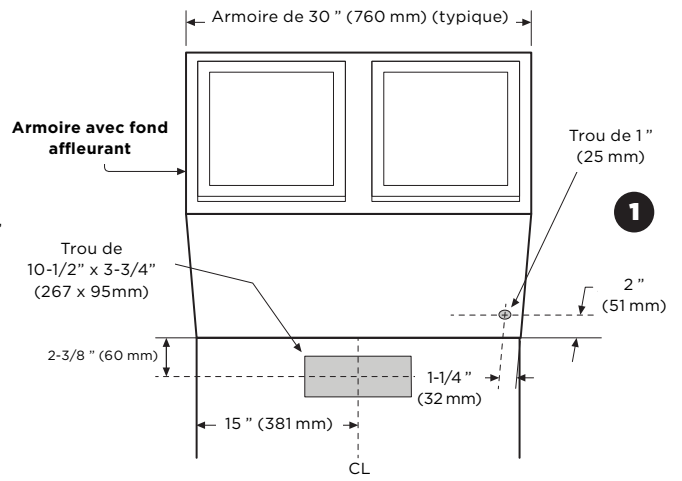


3. Adaptateur horizontal rectangulaire

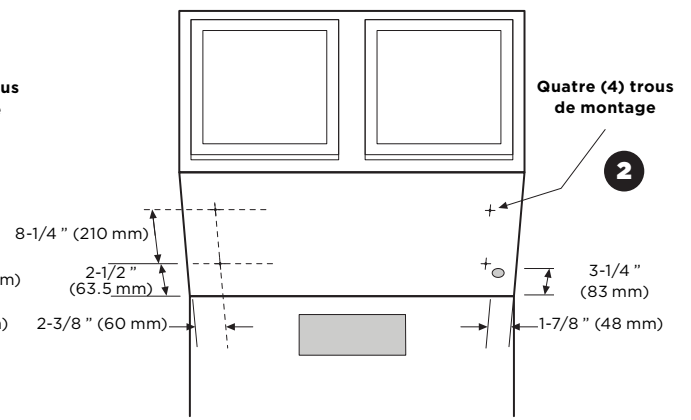
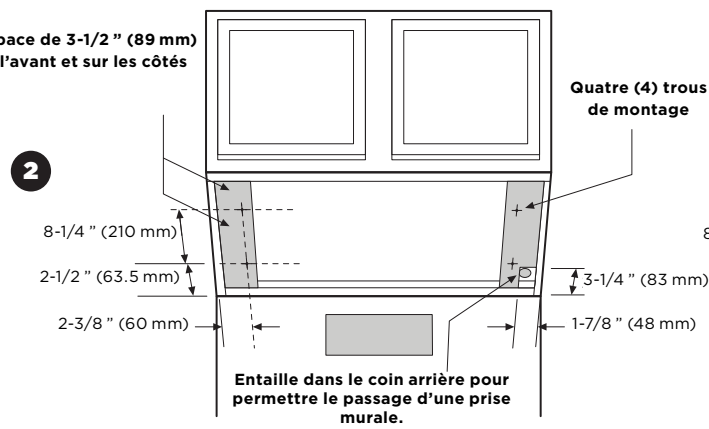
Armoire avec fond encastré



Armoire avec fond affleurant



Espace de 3-1/2" (89 mm) à l'avant et sur les côtés

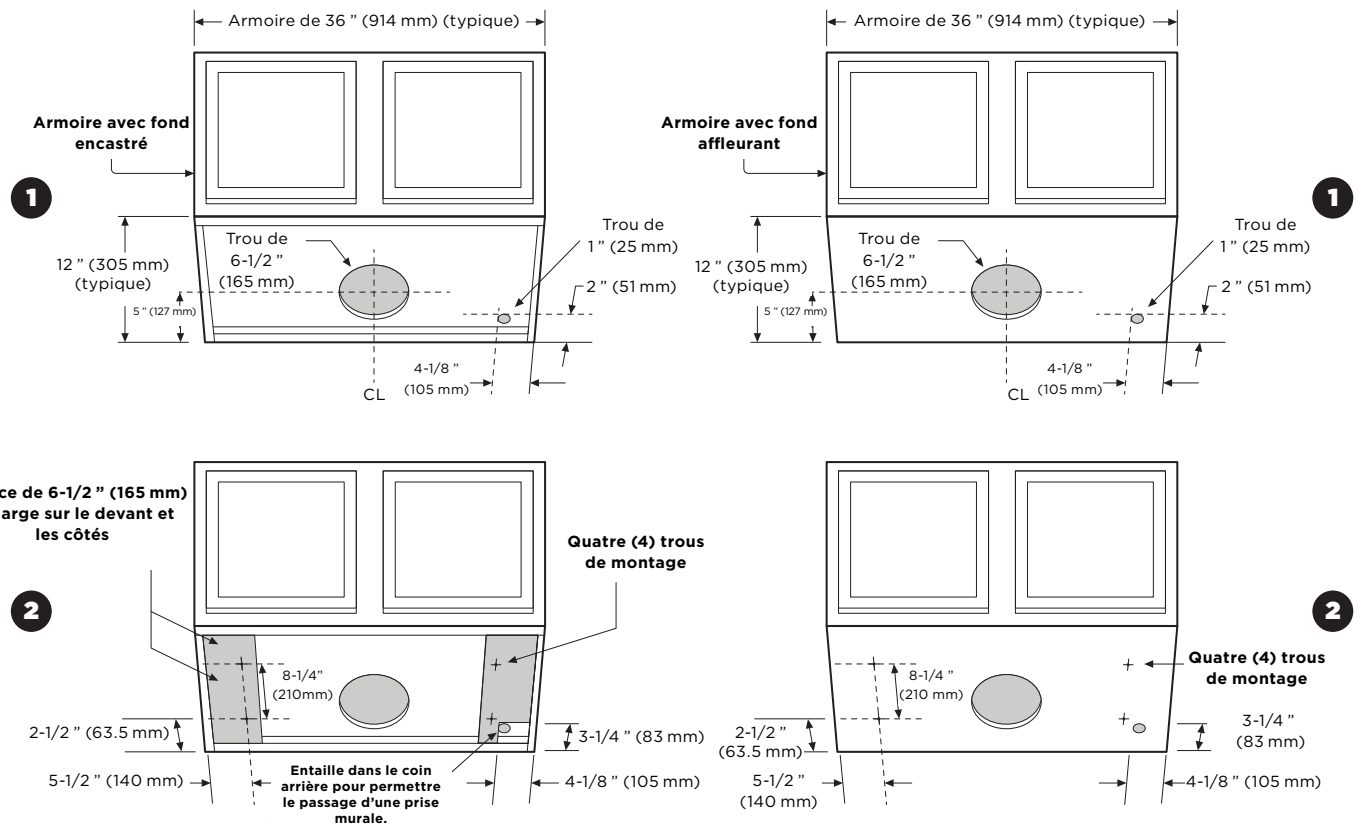


UC-PS18-36

1. Adaptateur vertical rond

Armoire avec fond encastré

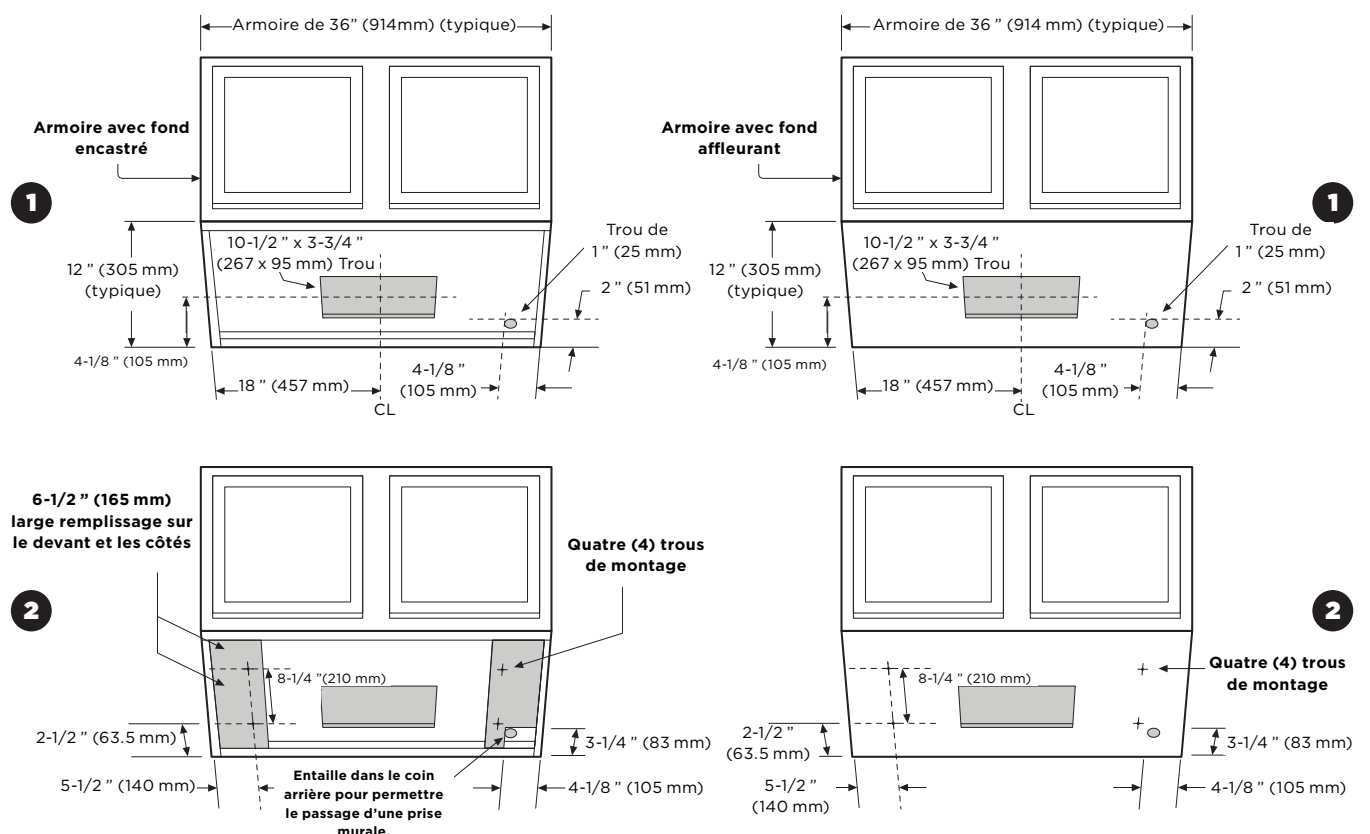
Armoire avec fond affleurant



2. Adaptateur vertical rectangulaire

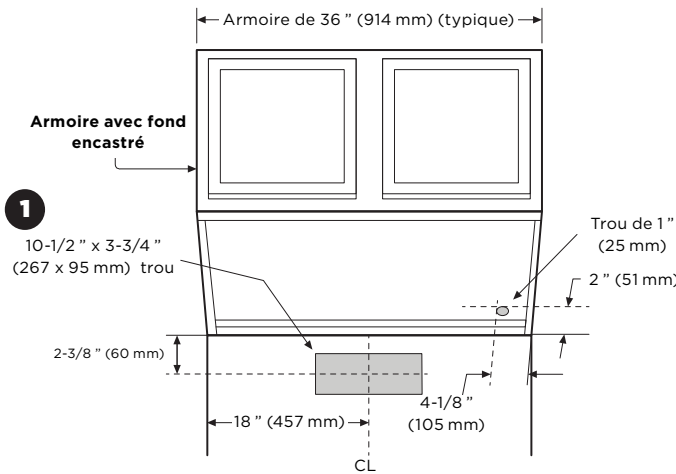
Armoire avec fond encastré

Armoire avec fond affleurant

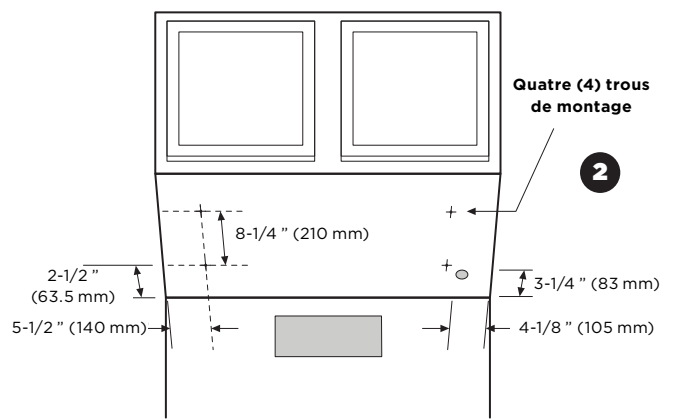
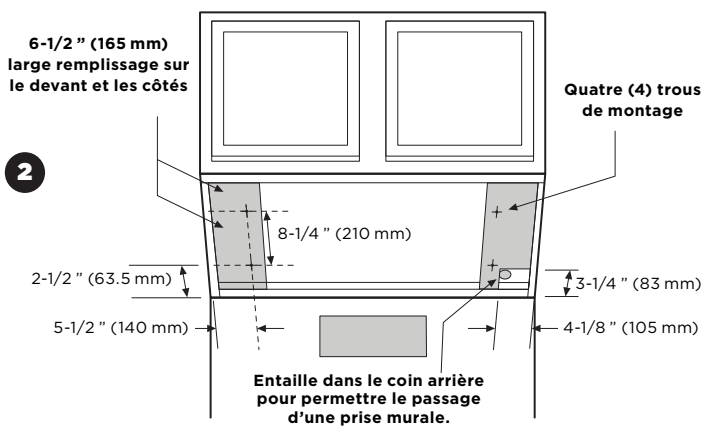
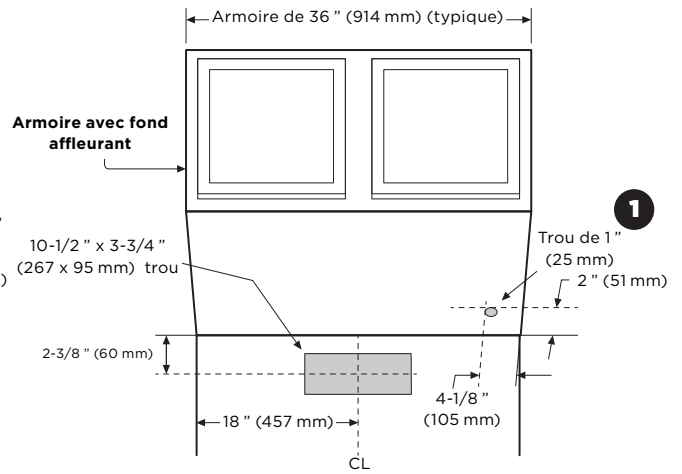


3. Adaptateur horizontal rectangulaire

Armoire avec fond encastré



Armoire avec fond affleurant



# Comment installer votre hotte de cuisine

Lorsque vous avez terminé toutes les étapes de préparation, vous êtes prêt à installer votre hotte.

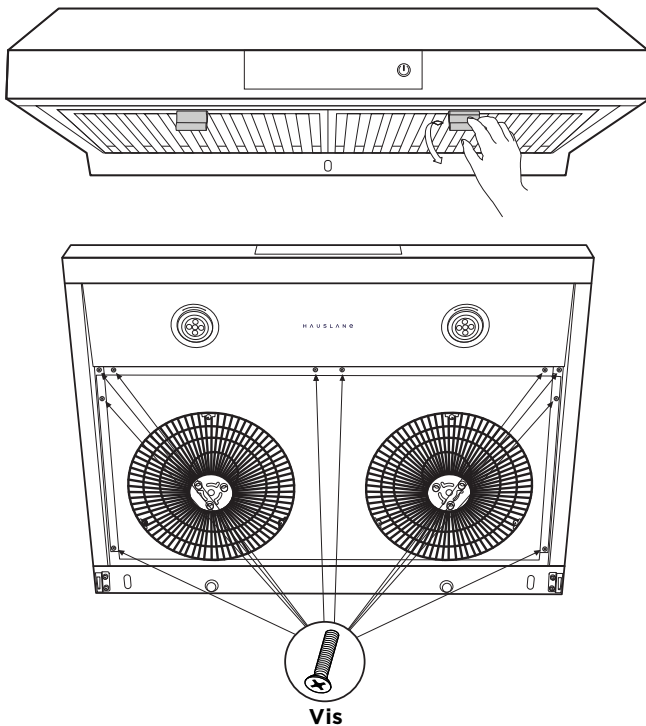
## 1. Tester l'appareil

Branchez l'appareil sur une prise de courant, puis appuyez sur l'écran tactile pour vous assurer que l'appareil fonctionne.

**⚠ IMPORTANT :** Si la hotte ne fonctionne pas correctement, veuillez nous contacter immédiatement au **800.929.0168** ou par courriel à : **info@hauslane.com**.

## 2. Désinstaller le couvercle inférieur de la hotte de cuisine

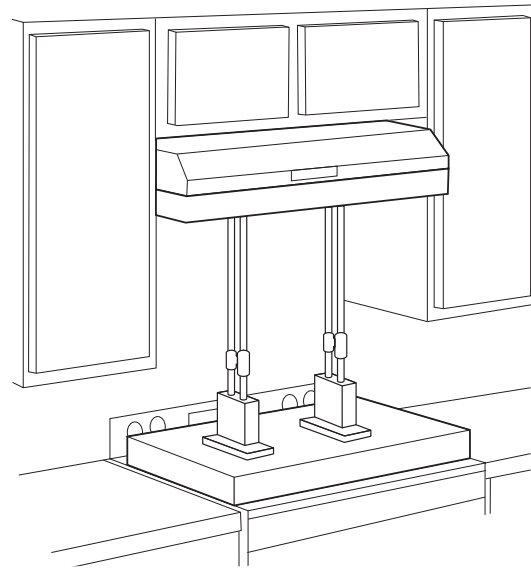
Retirez le filtre de la hotte en poussant le bouton du filtre vers l'intérieur. Tirez lentement le filtre vers le bas et retirez-le délicatement de la hotte. Retirez ensuite le couvercle inférieur en dévissant soigneusement les huit vis comme indiqué.



## 3. Mettre la hotte en place

Si vous n'enlevez pas la cuisinière, placez le contreplaqué (30" x 24") (762 x 610 mm) sur la cuisinière / table de cuisson pour éviter tout dommage éventuel. Placez les vérins de l'armoire sur le contreplaqué et placez le deuxième morceau de contreplaqué sur les deux vérins de l'armoire. A l'aide des vérins, soulevez la hotte pour la mettre en place sous le meuble. Veillez à ce que l'adaptateur et le cordon d'alimentation entrent dans les ouvertures du meuble et que le cordon d'alimentation ne soit pas coincé entre la hotte et le meuble.

Si vous ne souhaitez pas utiliser de vérin d'armoire, vous aurez besoin de trois personnes. Deux personnes maintiendront la hotte en place tandis que la troisième personne insérera les vis pour monter la hotte. Pour l'utilisation du cric d'armoire, veuillez vous référer au guide.

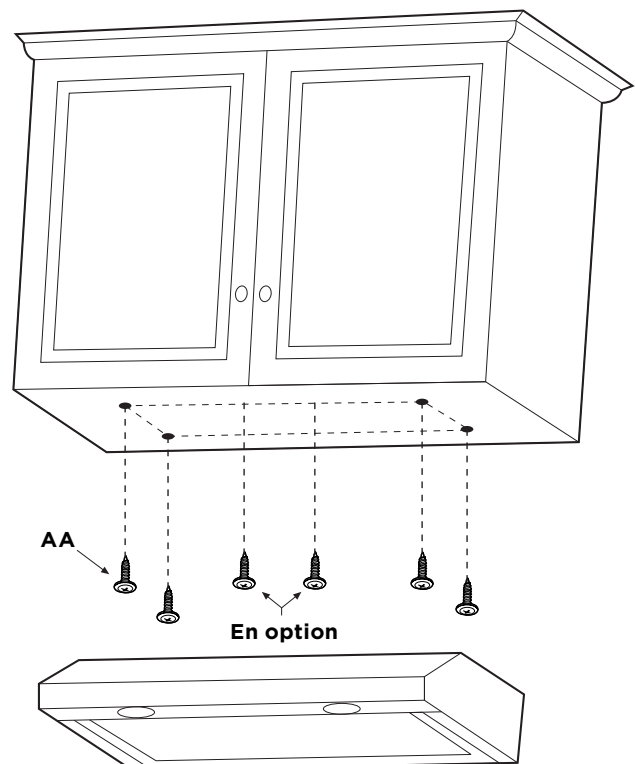


## 4. Visser la hotte en place

Par le bas de la hotte, insérez avec précaution les vis de montage (AA) avec les rondelles dans chacun des trous de montage prépercés de la hotte. Commencez par l'avant gauche, puis passez à l'avant droit.

Une fois que les vis sont en place pour les trous de fixation avant, travaillez sur l'arrière gauche, puis l'arrière droit. Si vous pensez devoir installer la hotte plus solidement, vous pouvez utiliser les deux trous de fixation supplémentaires à l'avant / au centre.

**CONSEIL :** Pour atteindre facilement les trous de fixation arrière, utilisez un outil d'extension pour la perceuse électrique.



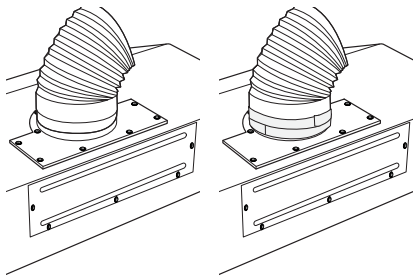
### 5. Vérifier l'installation et retirer le support

Assurez-vous que la hotte est bien fixée avant de retirer les vérins de l'armoire et le contreplaqué.

### 6. Raccorder le clapet et vérifier l'étanchéité à l'air

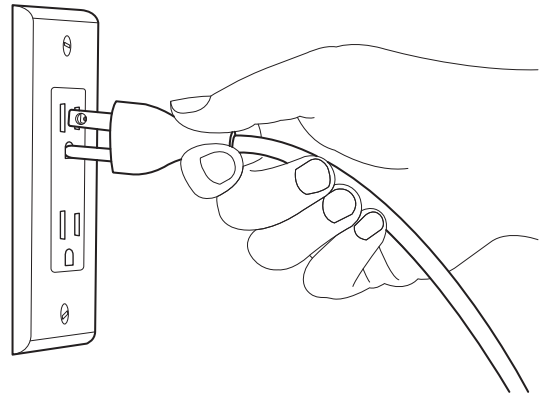
Mettez la hotte en marche pour vous assurer que le clapet anti-retour s'ouvre et se ferme librement. Cela garantira une performance meilleure et plus silencieuse. Insérer le conduit dans l'adaptateur, puis le fixer à l'aide des deux vis précédemment desserrées. Veillez à ce que le conduit est fermement fixé à l'adaptateur et enveloppez le joint avec du ruban adhésif en aluminium pour le rendre étanche à l'air.

**⚠ IMPORTANT :** Lorsque vous raccordez le conduit à l'adaptateur, soyez prudent. Une force excessive pourrait déloger le clapet anti-retour et le faire tomber dans la maison, ce qui pourrait endommager le moteur.



### 7. Brancher la hotte

Branchez le câble d'alimentation sur une prise de courant.



### 8. Réinstallation du couvercle inférieur, des filtres à chicanes et du collecteur de graisse

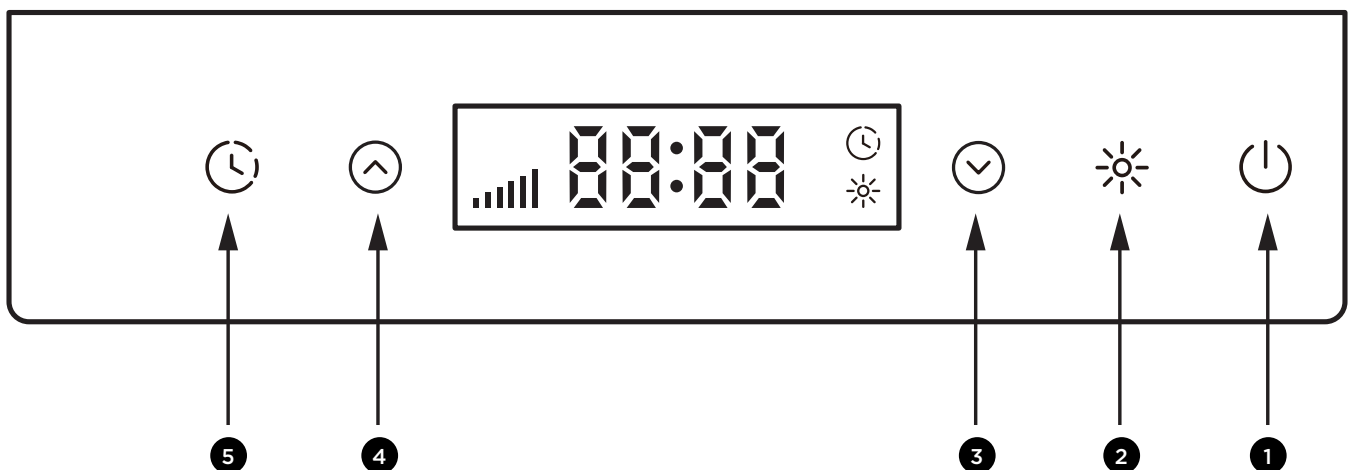
En utilisant les 8 vis que vous avez retirées précédemment, réinstallez le couvercle inférieur, puis les filtres à chicanes. Enfin, insérez avec précaution le collecteur de graisse.

### 9. Conserver ce guide

Conservez ce guide dans un endroit sûr et gardez-le pour pouvoir le consulter ultérieurement.

## Comment utiliser votre hotte de cuisine

Une fois que votre hotte est installée, il est temps d'apprendre à l'utiliser. Elle est très simple à utiliser et se commande entièrement à l'aide du panneau de contrôle frontal.



- 1 marche / arrêt
- 2 éclairage
- 3 - temps / vitesse
- 4 + temps / vitesse
- 5 délai

### 1. Comment allumer/éteindre la lumière

Cette hotte dispose d'un seul réglage de l'éclairage. Appuyez sur le bouton de l'ampoule **2** pour allumer ou éteindre la lumière.

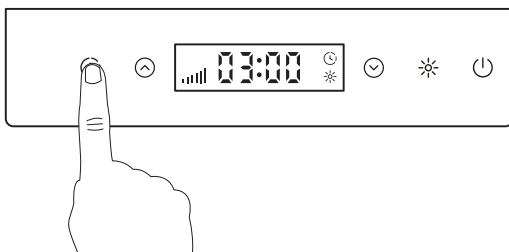
**⚠ ATTENTION :** Pour les ampoules halogènes, ne touchez jamais les ampoules pendant le fonctionnement, car elles peuvent devenir très chaudes.

### 2. Comment régler la vitesse du ventilateur

L'écran indique la vitesse du ventilateur (F1-F6) ainsi que le compte à rebours avant l'arrêt. « HL » correspond au mode veille — l'appareil est en marche, mais le ventilateur est à l'arrêt. Si aucune touche n'est utilisée pendant 30 secondes, l'appareil s'éteint automatiquement. Appuyez sur le bouton d'allumage **1** pour mettre la hotte en marche. Pour augmenter/diminuer la vitesse du ventilateur, utilisez les flèches haut / bas (**4** & **3**) pour trouver la vitesse souhaitée.

### 3. Comment régler le délai de la minuterie

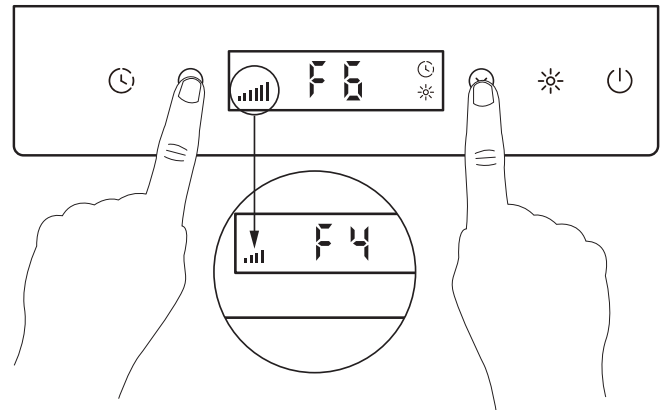
Cette hotte est dotée d'un bouton de temporisation qui peut s'avérer très utile si vous devez utiliser votre hotte pendant une période déterminée. Pendant que le ventilateur fonctionne, appuyez sur la touche de temporisation **5**. Lorsque l'indicateur de temporisation s'affiche à l'écran, appuyez sur les touches haut et bas pour régler la temporisation sur une durée comprise entre 1 et 15 minutes.



### 4. Réglage du débit d'air maximal

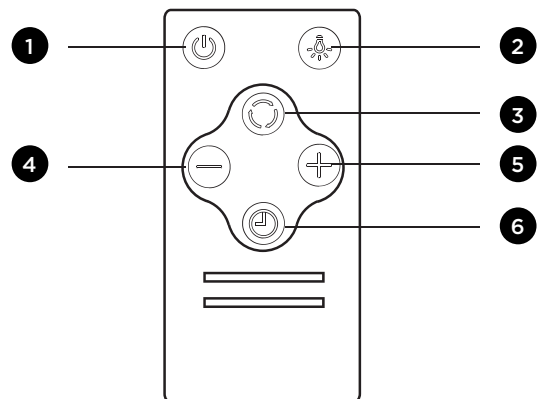
Pour répondre à certaines exigences du code du bâtiment, la hotte vous permet de limiter la vitesse maximale du ventilateur afin que le débit d'air ne dépasse pas 400 CFM. Maintenez enfoncés simultanément les boutons Haut **4** et Bas **3** pendant 3 secondes pour réduire le débit d'air maximal par défaut de la vitesse 6 (Débit d'air maximal en laboratoire : 500 CFM) à la vitesse 4 (Débit d'air maximal en laboratoire : 350 CFM). L'icône de vitesse maximale du ventilateur à l'écran passera de 6 barres à 4 barres.

**⚠ REMARQUE :** Aux États-Unis et au Canada, de nombreux codes du bâtiment résidentiels exigent que les hottes de plus de 400 CFM soient jumelées à un système d'air de compensation (make-up air) afin de prévenir la dépression pouvant affecter d'autres appareils à gaz. Pour éviter de déclencher cette exigence, le réglage de niveau 4 est prudemment limité à 350 CFM. Ce réglage est irréversible. Appliquez ce changement avec précaution afin de respecter les règlements locaux.



### 5. Comment utiliser la télécommande

(La télécommande est vendue séparément. Le numéro de pièce est : HLRC1)



- 1** marche / arrêt
- 2** éclairage
- 3** bouton auto
- 4** - temps / vitesse
- 5** + temps / vitesse
- 6** Arrêt automatique différé

- 1** permet d'allumer et d'éteindre la hotte
- 2** permet d'allumer et d'éteindre l'éclairage
- 3** permet de régler le ventilateur à la plus haute vitesse
- 4** et **5** permettent de régler la vitesse et la durée du ventilateur
- 6** Lorsque le ventilateur est en marche, appuyez sur le bouton **6** pour activer la fonction de temporisation. Le délai par défaut est de 3 minutes. Utilisez les boutons **4** et **5** pour régler la minuterie entre 1 et 15 minutes.

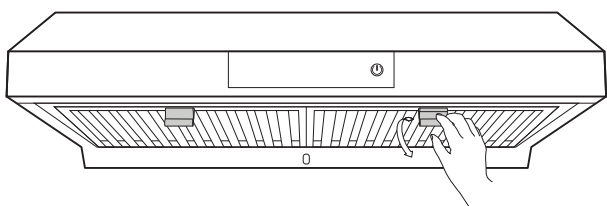
## Instructions de base pour l'entretien

De temps en temps, votre hotte de cuisine nécessite un entretien de routine simple pour continuer à fonctionner efficacement.

### Entretien du filtre à chicanes

Nettoyez les filtres à graisse fréquemment - nous vous conseillons de le faire toutes les deux semaines. Pour votre confort, les filtres peuvent être lavés au lave-vaisselle!

1. Retirez les filtres à chicane de la hotte en poussant le bouton du filtre vers l'intérieur. Ensuite, tirez soigneusement le filtre vers le bas et retirez-le délicatement.



2. Nettoyez les filtres à chicanes avec de l'eau chaude et du détergent, ou mettez-les au lave-vaisselle. Soyez prudent avec les filtres pour éviter de les endommager.

3. Laissez les filtres à chicanes sécher complètement.

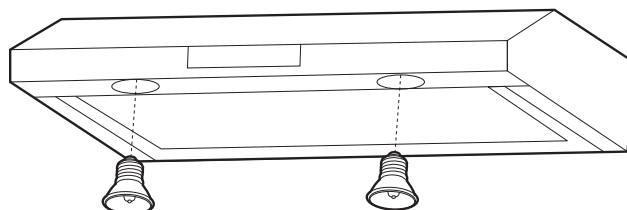
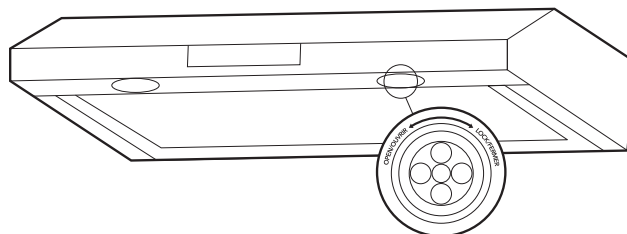
4. Réinstallez les filtres à chicanes propres.

### Entretien de l'éclairage

**ATTENTION :** Coupez toujours l'alimentation électrique avant de remplacer une lampe.

Cette hotte nécessite deux ampoules GU-10 DEL.

1. Coupez l'alimentation. Laissez les lampes refroidir complètement avant de les retirer, si nécessaire (5 minutes).
2. En portant des gants de protection, tournez l'ampoule dans le sens inverse des aiguilles d'une montre pour la désengager.
3. Placez la nouvelle ampoule dans la douille, puis tournez dans le sens des aiguilles d'une montre jusqu'à ce qu'elle soit fixée.



### Nettoyage de la hotte

Cette hotte aura une belle apparence et fonctionnera correctement pendant longtemps tant que vous l'entretenez correctement. Voici quelques conseils pour l'entretien de votre hotte.

**ATTENTION :** Le non-respect des normes de base en matière d'entretien et de nettoyage augmente le risque d'incendie.

DO'S	NE PAS FAIRE
Nettoyez la hotte à l'aide d'un chiffon chaud et savonneux ou d'un produit de polissage pour l'acier inoxydable.	N'utilisez pas de nettoyeurs ou de chiffons corrosifs ou abrasifs. N'utilisez pas de détergents contenant des ingrédients tels que le chlorure, l'iodure ou le fluorure.
Nettoyez la hotte en suivant le grain de l'acier inoxydable.	Ne laissez pas de saletés ou de résidus de savon sur la hotte. Cela pourrait endommager la surface. Lavez la surface de la hotte et rincez-la immédiatement à l'eau claire.
Après le nettoyage au savon, rincez à l'eau claire, puis essuyez avec un chiffon propre et sec.	Ne laissez pas de particules — en particulier des particules de construction (provenant du ponçage, etc.) — pénétrer dans la hotte. Couvrez la hotte pendant les travaux de rénovation.
Vérifiez régulièrement les conduits et les bouches d'aération pour vous assurer qu'ils ne sont pas obstrués.	N'utilisez pas de produits inflammables à proximité du poêle, car ils peuvent provoquer des explosions.

## Conseils de dépannage

**⚠ AVERTISSEMENT :** Veuillez couper le circuit électrique ou le panneau de disjoncteurs avant de procéder au dépannage de cette hotte de cuisine. Le non-respect de cette consigne peut entraîner la mort ou des blessures graves.

PROBLÈME	SOLUTION
Ma hotte ne fonctionne pas.	<ol style="list-style-type: none"> <li>1. Assurez-vous que l'alimentation électrique et tout le câblage sont bien connectés.</li> <li>2. Vérifiez à nouveau que le disjoncteur est enclenché et que l'alimentation électrique est sous tension.</li> <li>3. Vérifier que les câbles du panneau de contrôle sont correctement connectés aux tableaux de distribution.</li> </ol>
Ma hotte de cuisine vibre lorsque le ventilateur fonctionne.	<ol style="list-style-type: none"> <li>1. Vérifiez que la hotte est fermement fixée à l'armoire ou au mur. Serrez ou ajoutez les vis selon le besoin.</li> <li>2. Confirmez que le moteur est bien en place et qu'il est fixé en toute sécurité. Si ce n'est pas le cas, resserrez-le.</li> <li>3. Si ces étapes n'ont pas permis de résoudre le problème, il se peut que votre ventilateur soit endommagé. Dans ce cas, vous devrez peut-être le remplacer.</li> </ol>
Le ventilateur fonctionne faiblement.	<ol style="list-style-type: none"> <li>1. Vérifiez à nouveau que la taille du conduit est correcte.</li> <li>2. Nettoyez les conduits ou les filtres s'ils sont sales. Vérifiez également que l'enceinte grillagée de la hotte est correctement ventilée.</li> <li>3. Si possible, vérifiez que le clapet anti-retour fonctionne correctement en ce qui concerne l'ouverture.</li> </ol>
Le ventilateur ne fonctionne pas correctement alors que les lumières fonctionnent.	<ol style="list-style-type: none"> <li>1. Vérifiez que le ventilateur n'est pas bloqué et qu'il ne frotte pas sur les surfaces de la hotte.</li> <li>2. Si cela ne fonctionne pas, vous devrez peut-être remplacer le moteur, car il est peut-être défectueux.</li> </ol>
La hotte ne fonctionne pas de manière efficace.	<ol style="list-style-type: none"> <li>1. La distance minimale entre la zone de cuisson et l'appareil doit être de 24" (609 mm) ou de 30" (762 mm) au maximum. Vérifiez si cette distance est correcte.</li> <li>2. Veillez à ce que le conduit ne soit pas susceptible de s'ouvrir facilement sous l'effet du vent.</li> <li>3. Assurez-vous que la vitesse du ventilateur est appropriée. Plus la cuisson est lourde, plus la vitesse de la hotte doit être élevée.</li> <li>4. En fermant les fenêtres et les portes de la pièce, le ventilateur fonctionnera mieux.</li> <li>5. Comme indiqué au cours du processus d'installation, tous les conduits doivent être installés correctement. Il peut s'avérer nécessaire de réduire la longueur des conduits ou de diminuer les coudes.</li> <li>6. Veillez à ce que tous les éléments de la tuyauterie soient scellés et fixés correctement.</li> </ol>
La lumière ne fonctionne pas.	<ol style="list-style-type: none"> <li>1. Vérifiez si l'ampoule est desserrée et doit être resserrée.</li> <li>2. Si le serrage ne résout pas le problème, remplacez l'ampoule par une neuve et voyez si cela résout le problème.</li> <li>3. Si le remplacement et/ou le resserrage ne résout pas le problème, il se peut que vous deviez remplacer le système d'éclairage de la hotte.</li> </ol>
L'écran tactile ne répond pas.	<ol style="list-style-type: none"> <li>1. Effectuez une réinitialisation du cycle d'alimentation en débranchant le cordon d'alimentation, en attendant 10 secondes et en rebranchant le câble d'alimentation.</li> <li>2. Si l'étape 1 ne résout pas le problème, veuillez nous contacter immédiatement pour un remplacement du panneau de contrôle.</li> </ol>

Vous rencontrez toujours des problèmes après avoir suivi ces étapes?

Contactez un technicien au **800.929.0168** ou à **info@hauslane.com** pour vous aider.



**Ce produit est conforme à  
l'American with Disabilities Act**

Cette hotte conforme aux normes de l'American with Disabilities Act et peut être commandée à distance, ce qui améliore la sécurité pour les utilisateurs de toutes capacités.



**Extensions de garantie**

Si une extension de garantie vous intéresse, inscrivez-vous sur notre site web à l'adresse :

**[www.hauslane.com](http://www.hauslane.com)**



**Pièces et accessoires**

Si jamais vous avez besoin de pièces de rechange ou d'accessoires, visitez notre site :

**[www.hauslane.com](http://www.hauslane.com)**



**Nous contacter**

Nous nous ferons un plaisir de répondre à vos questions et de résoudre tout problème.

**Téléphone : 1-800-929-0168**

**Courriel : [info@hauslane.com](mailto:info@hauslane.com)**



Trouvez-nous et connectez-vous avec nous

**@HauslaneOfficial**

