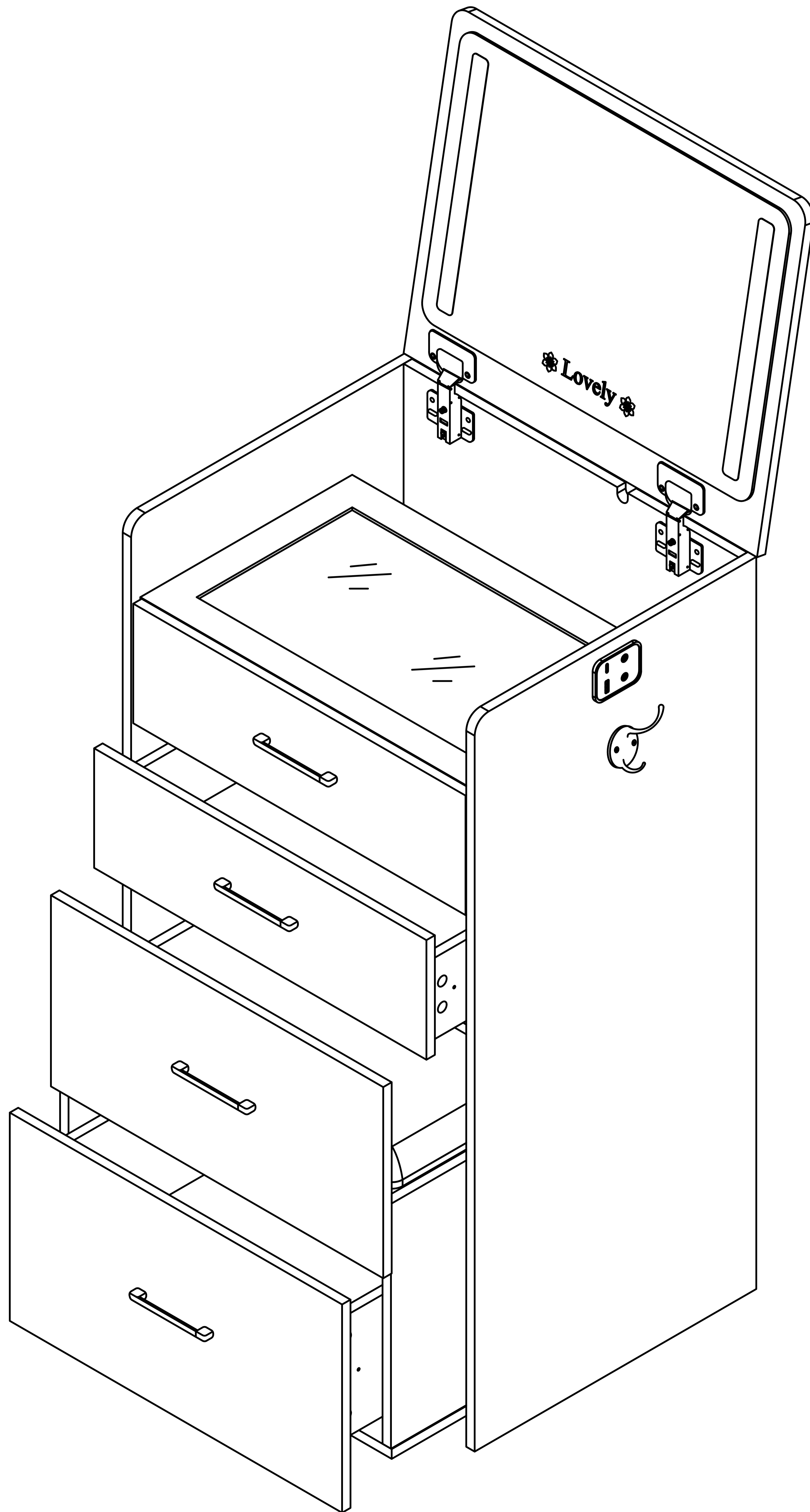
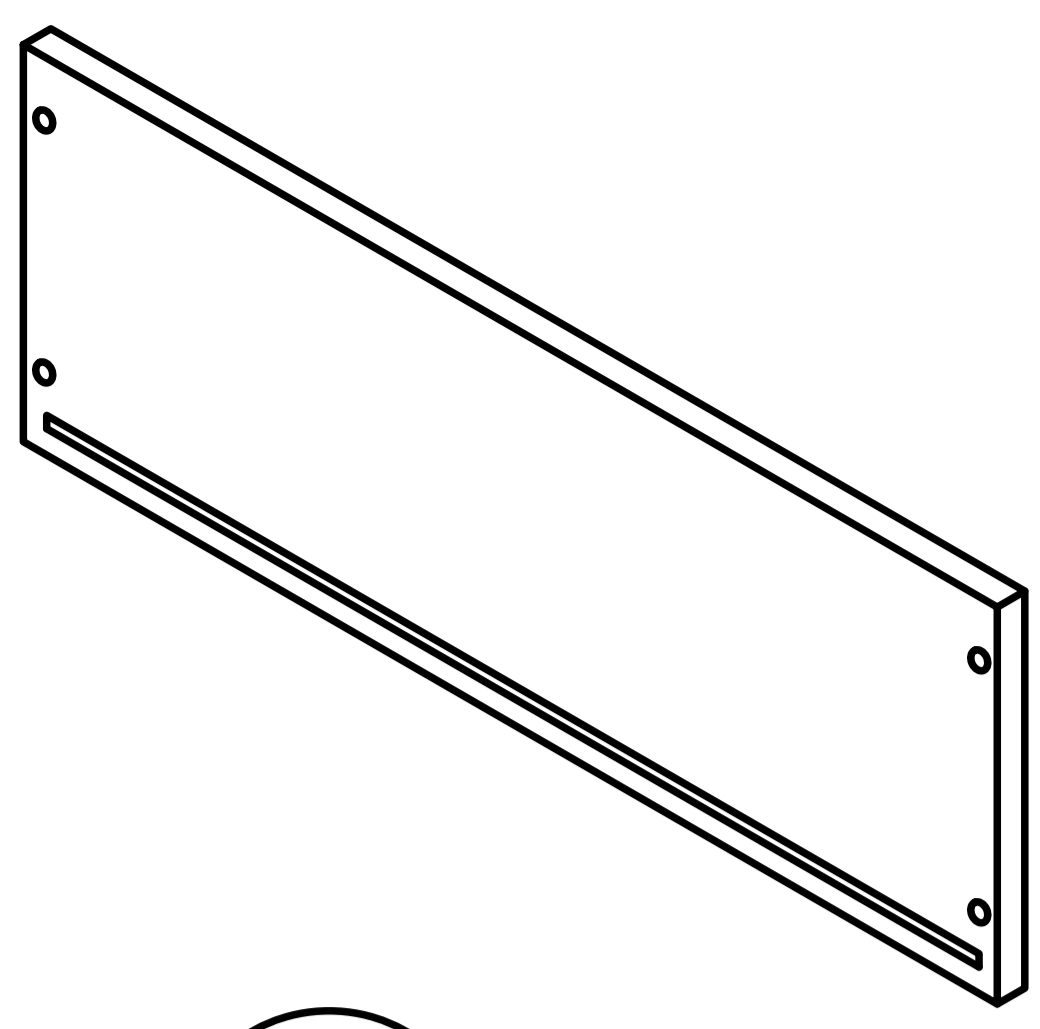
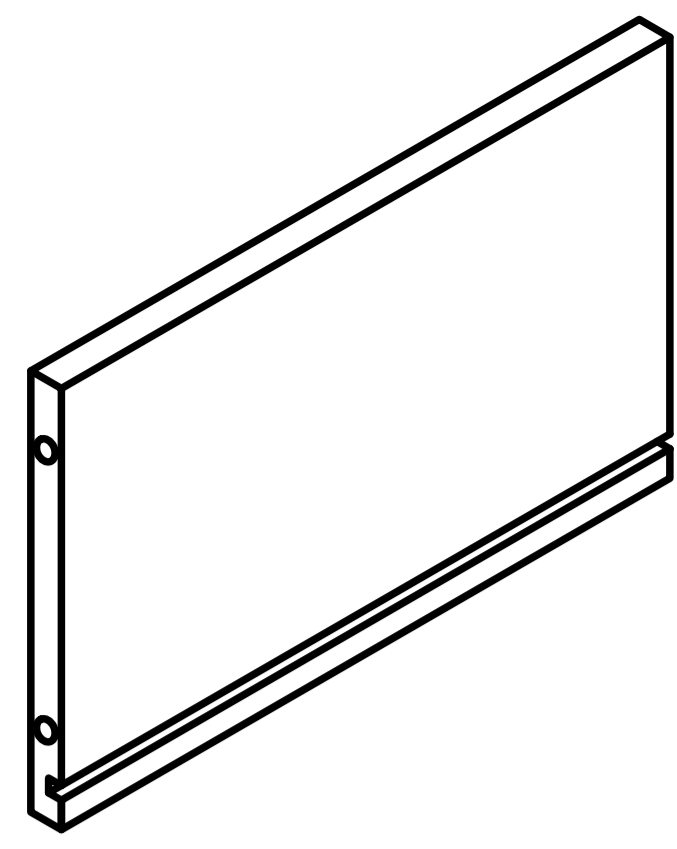


Product Installation Instructions

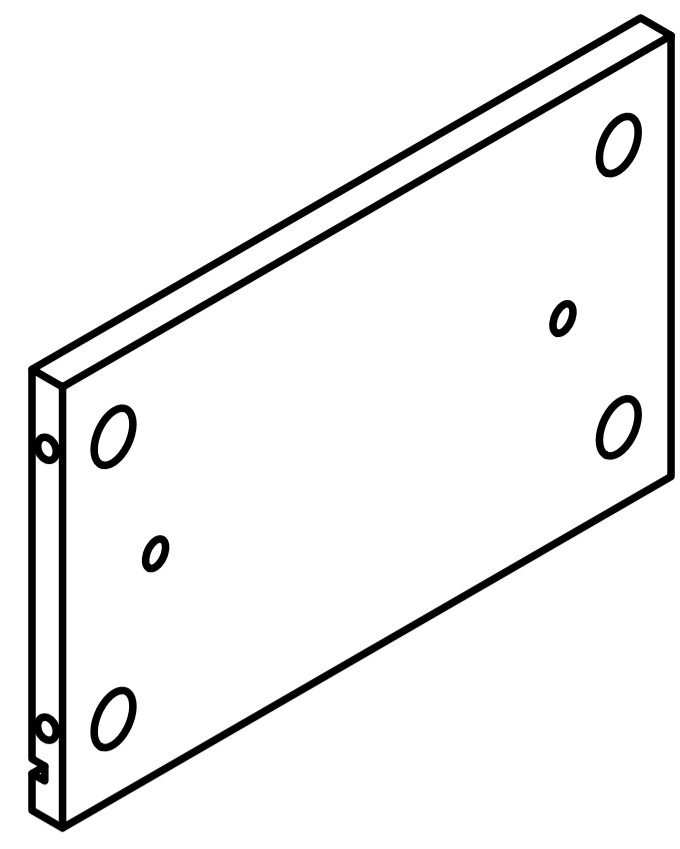




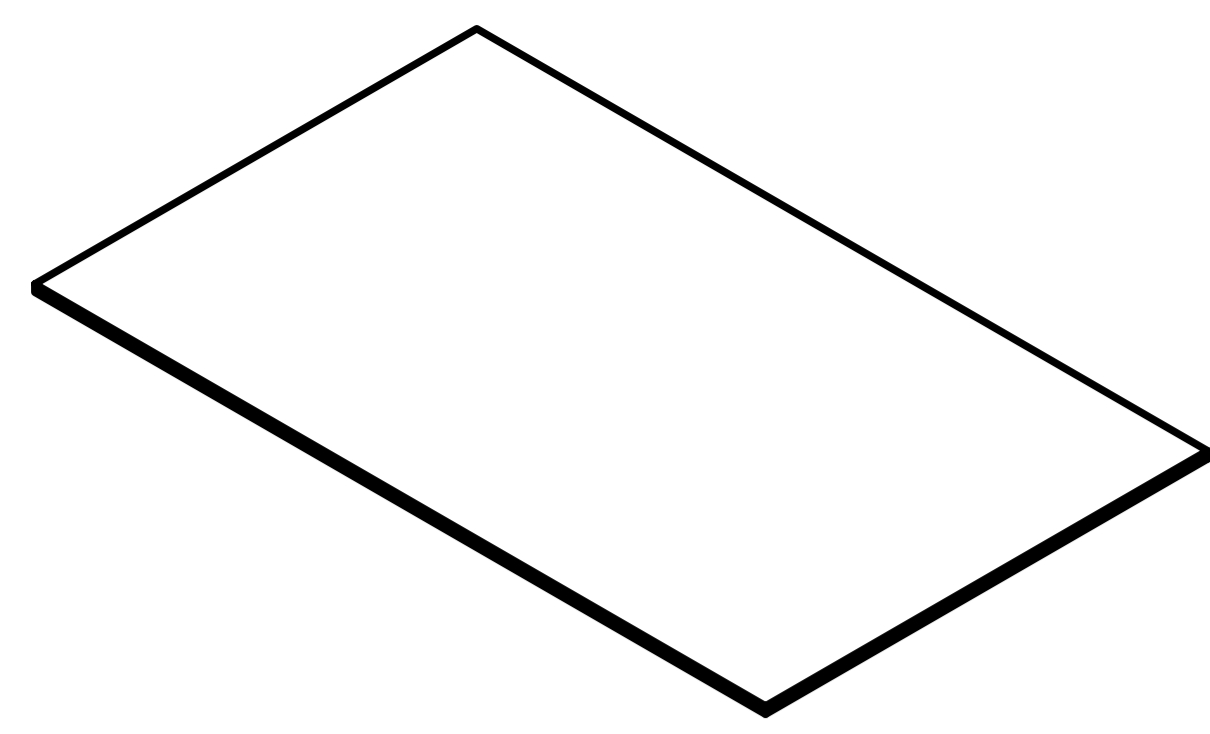
① x1



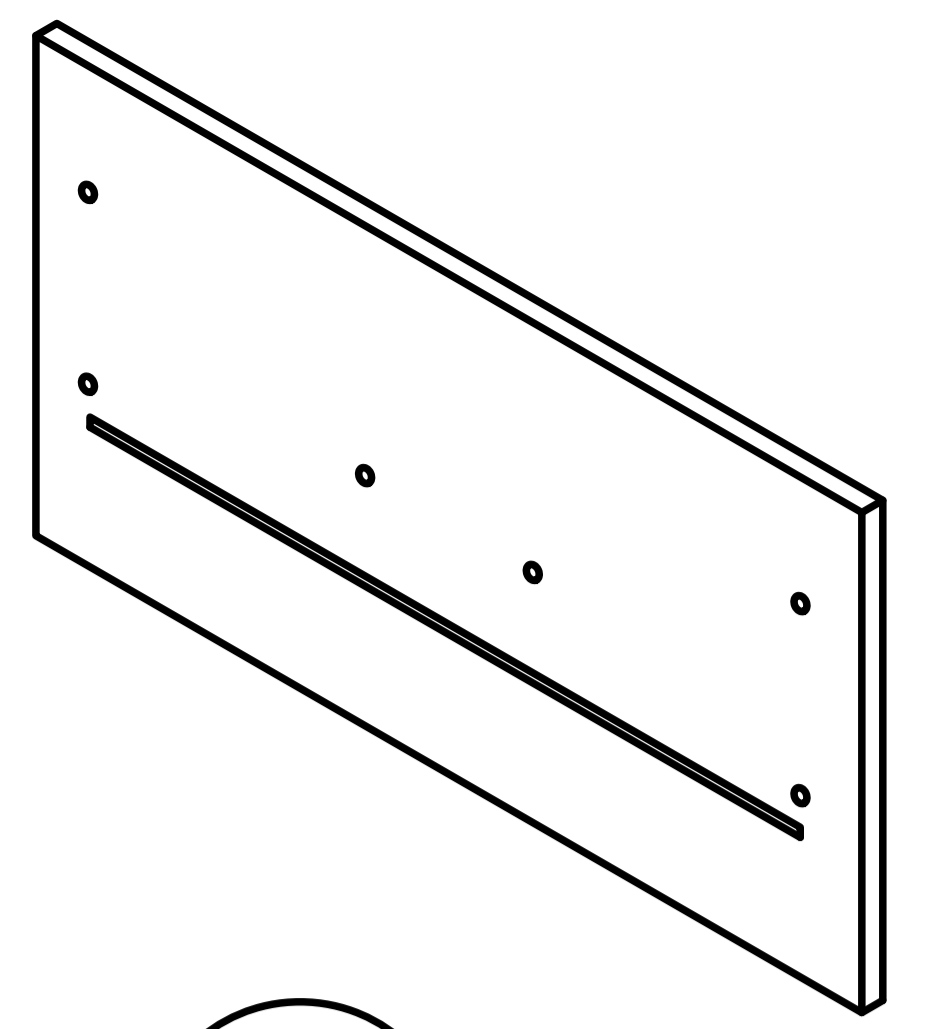
② x1



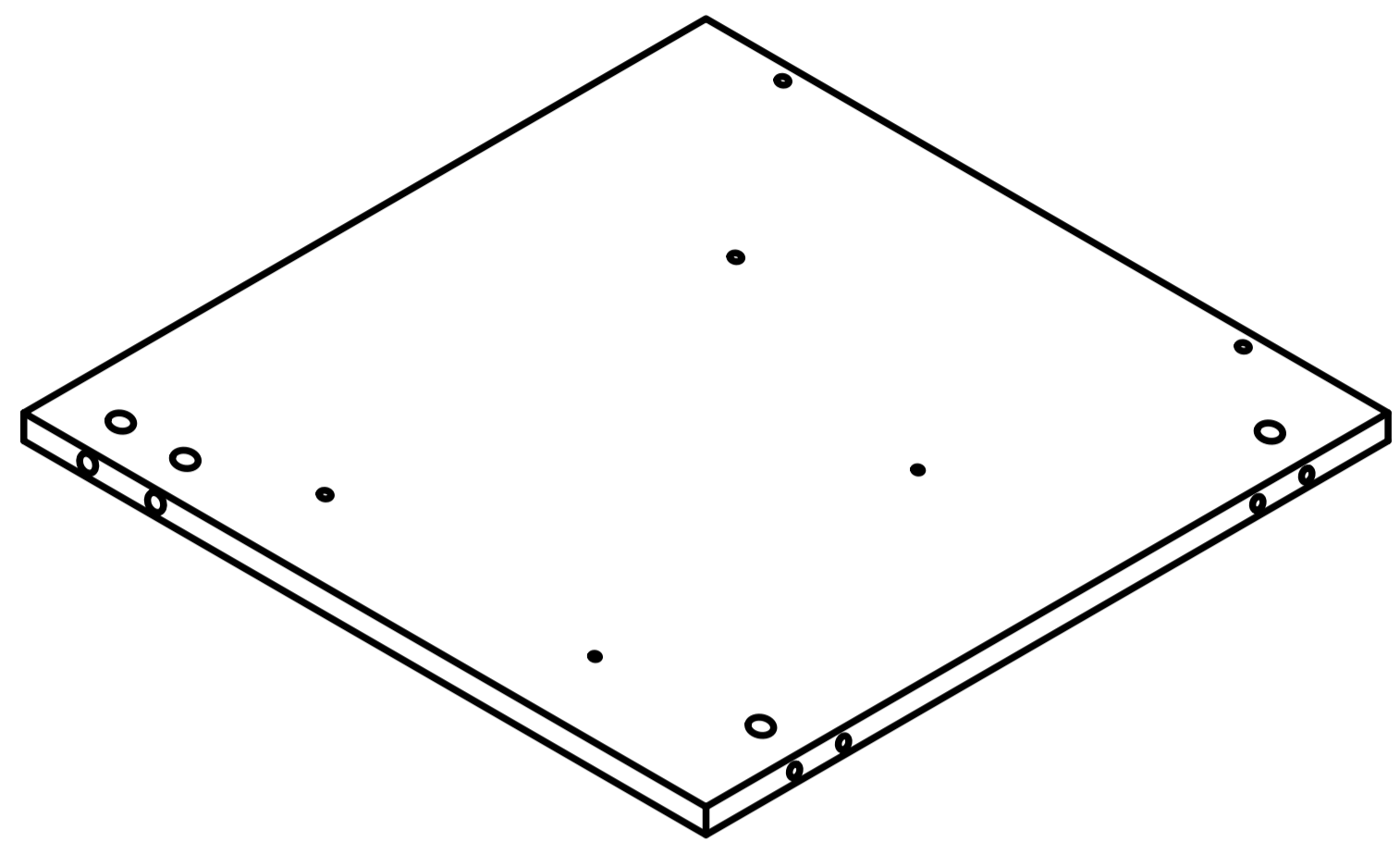
③ x1



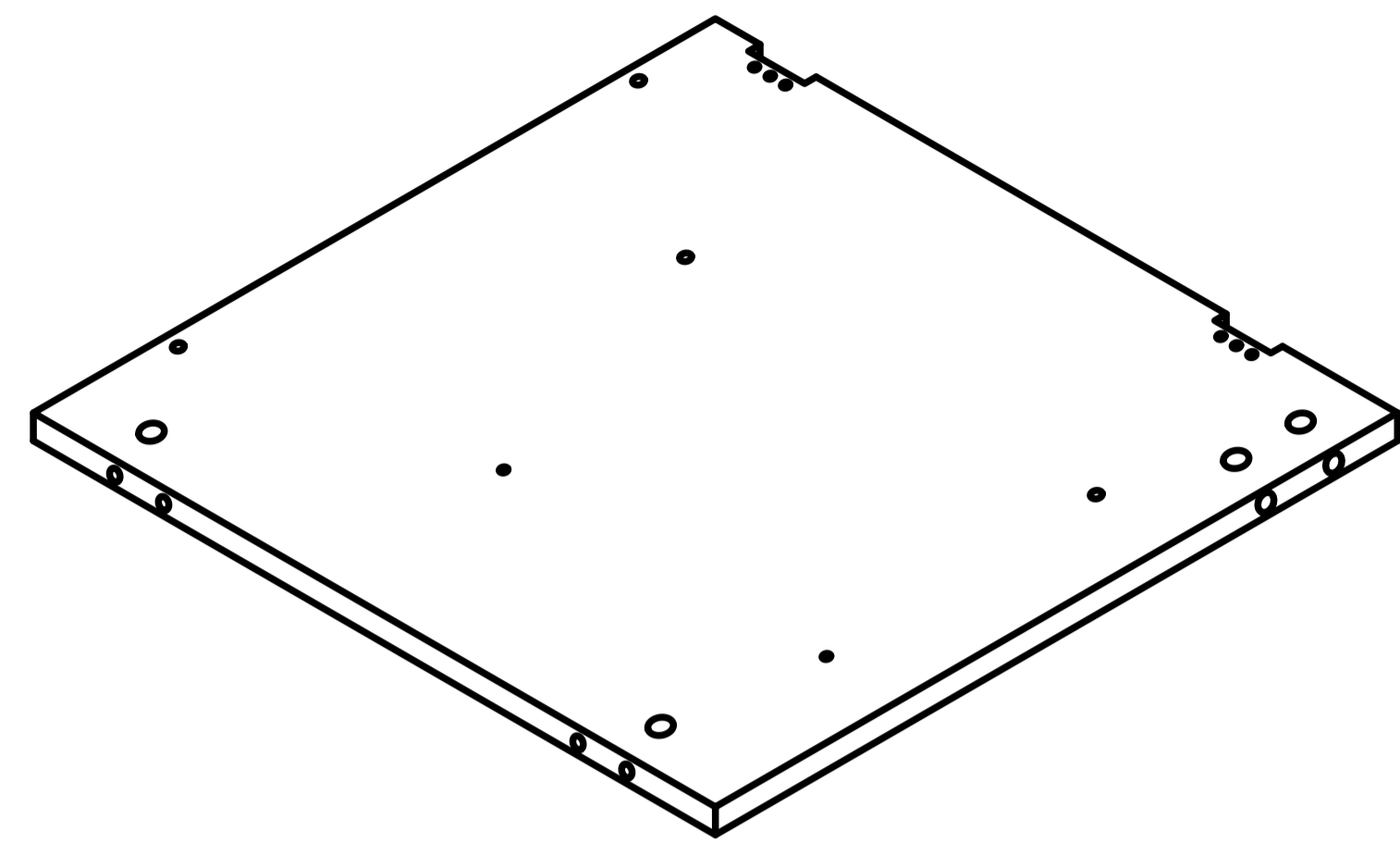
④ x1



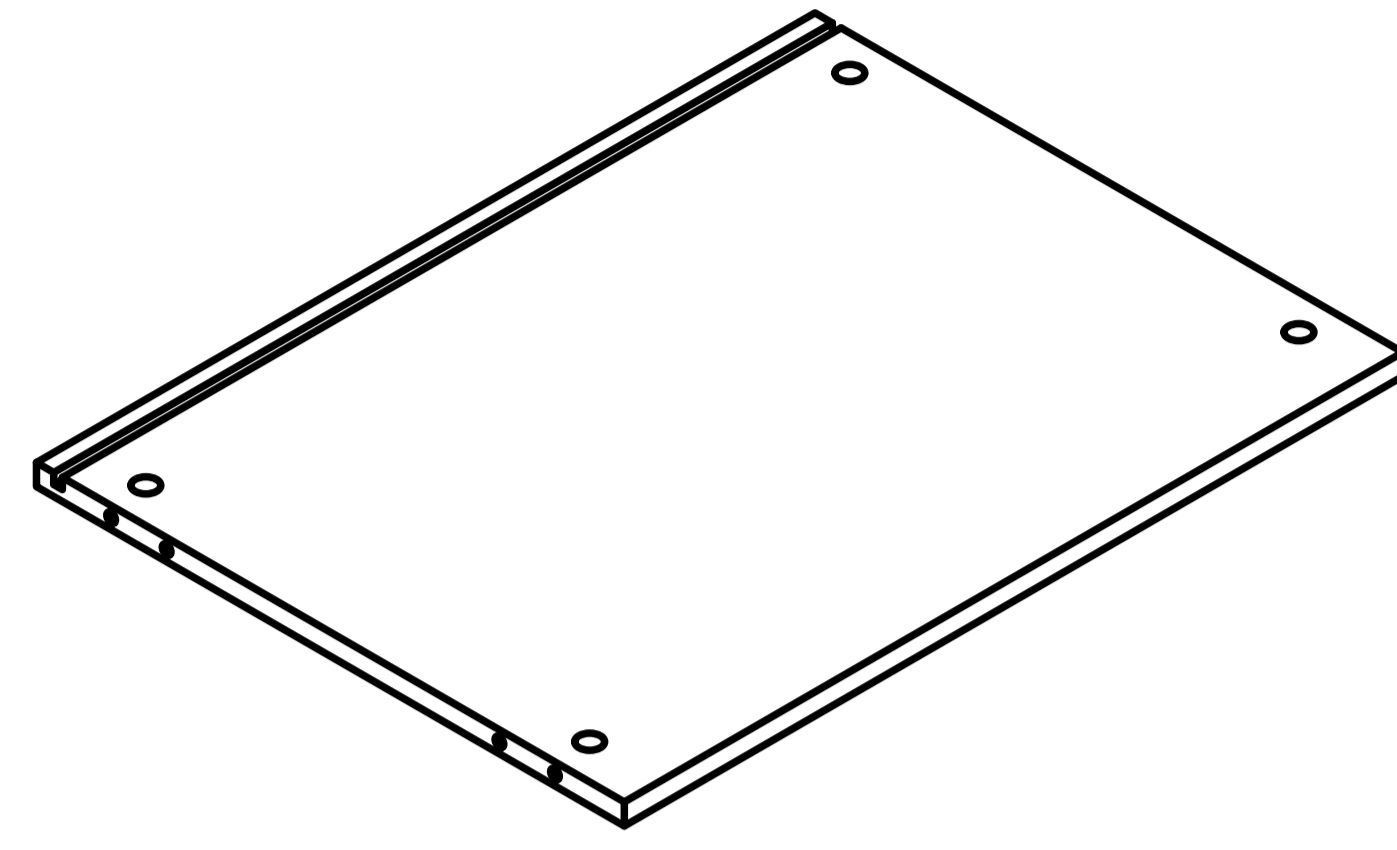
⑤ x1



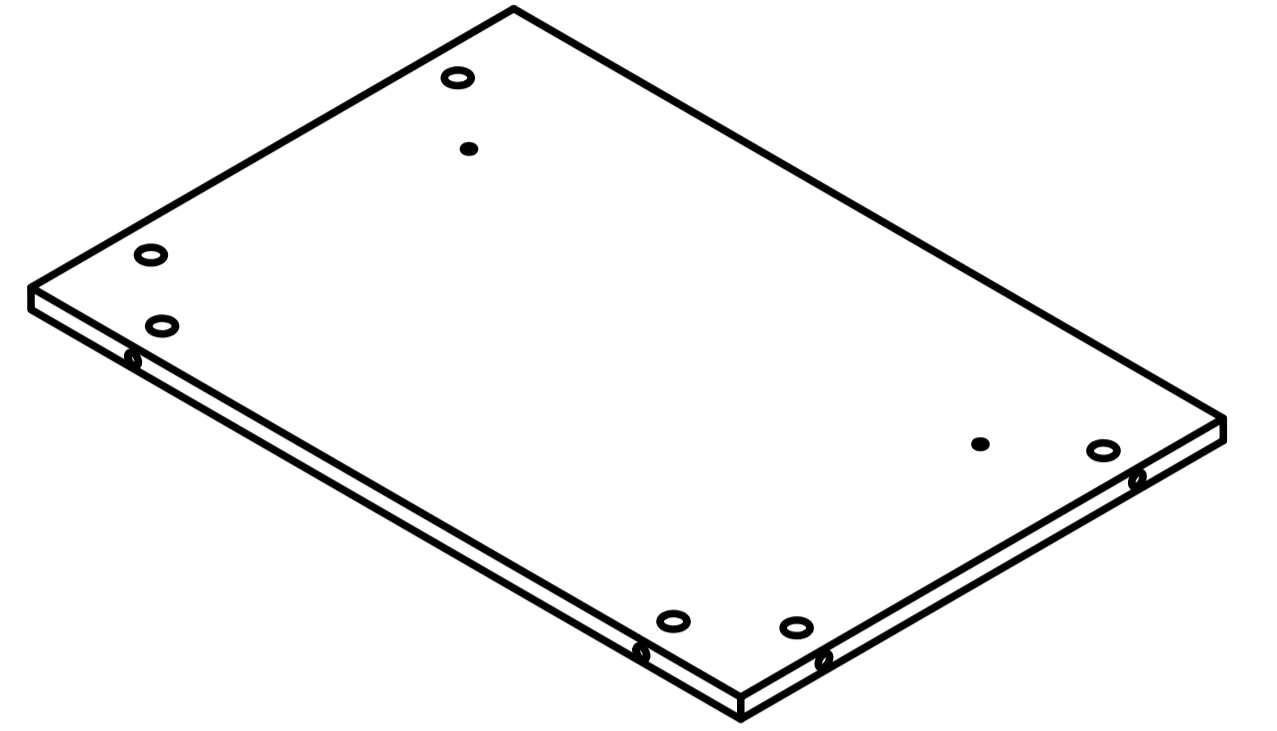
⑥ x1



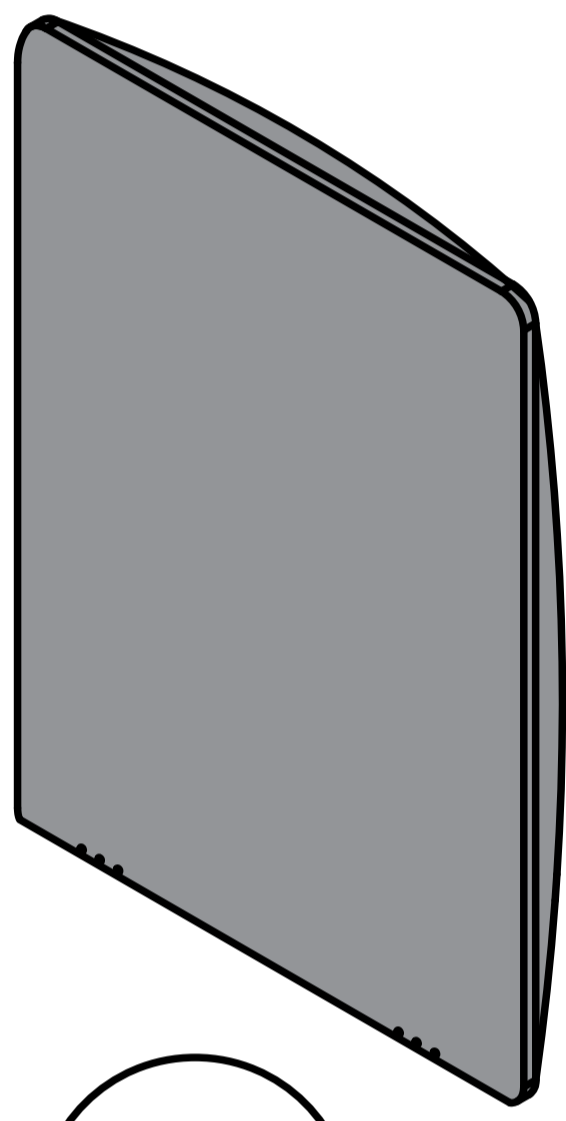
⑦ x1



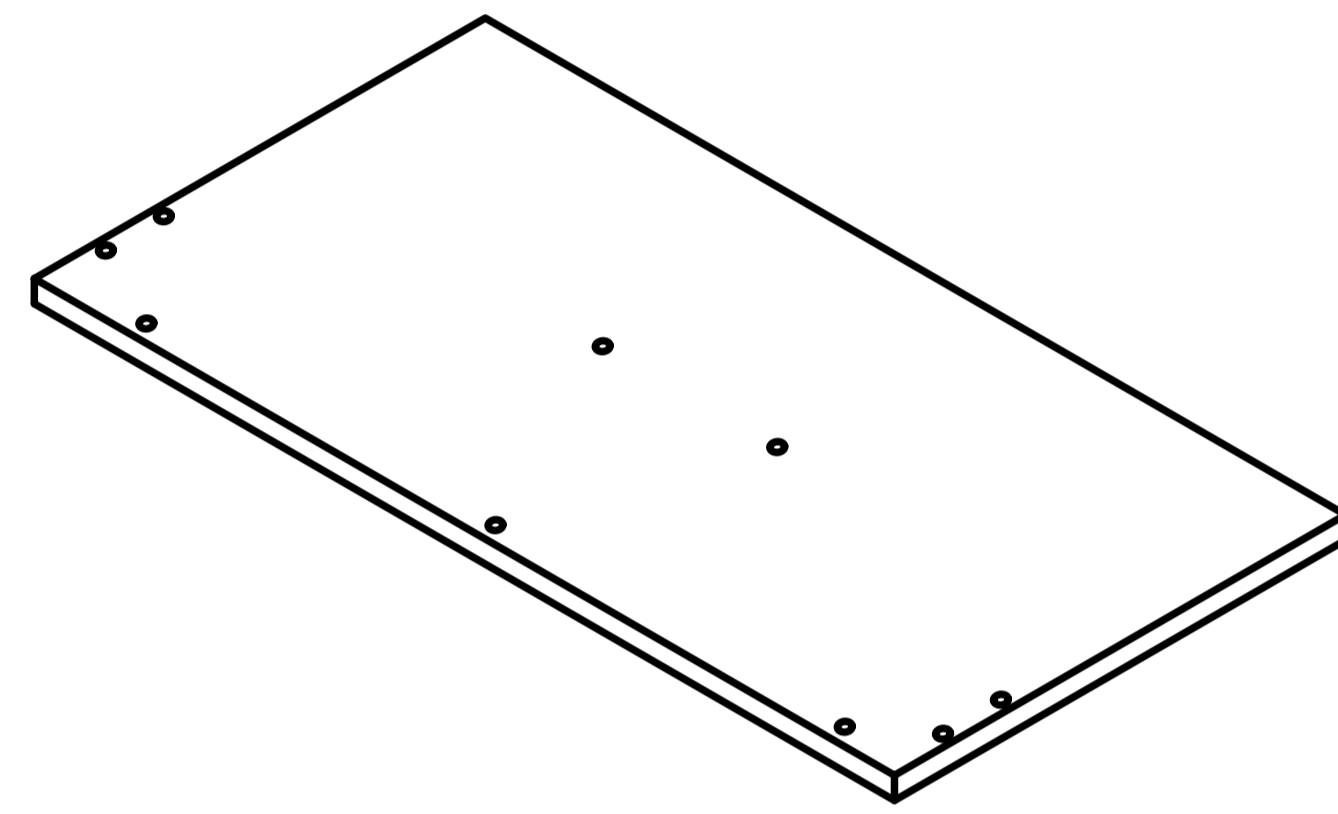
⑧ x1



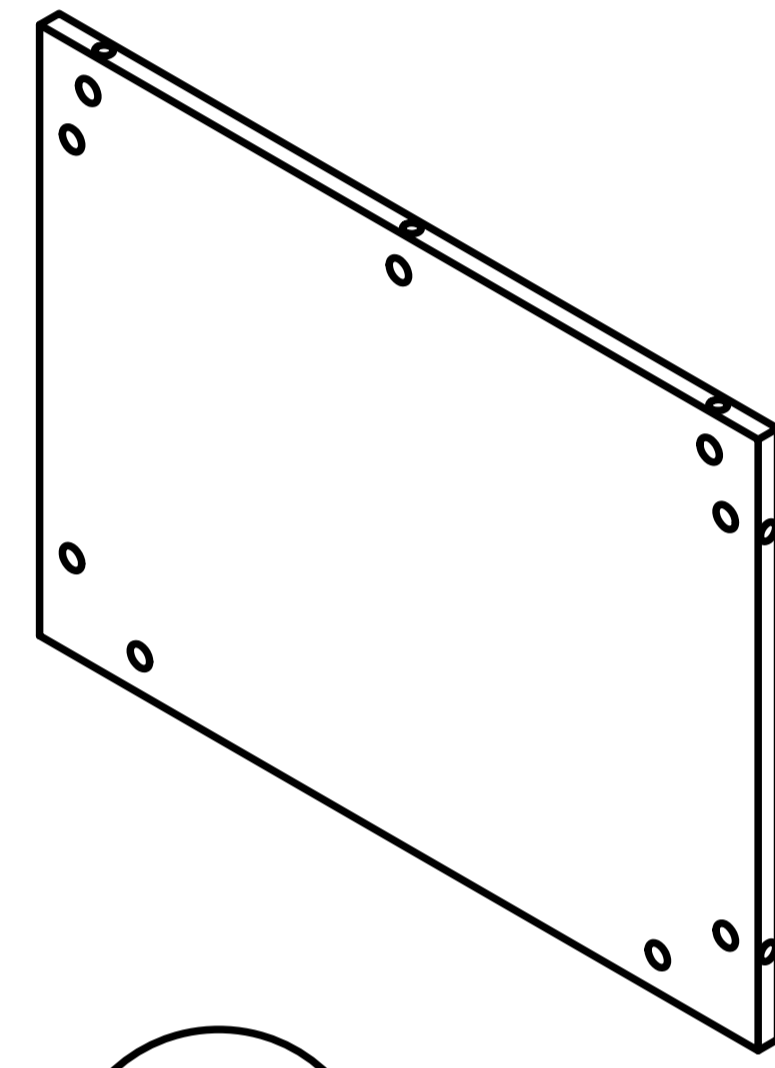
⑨ x1



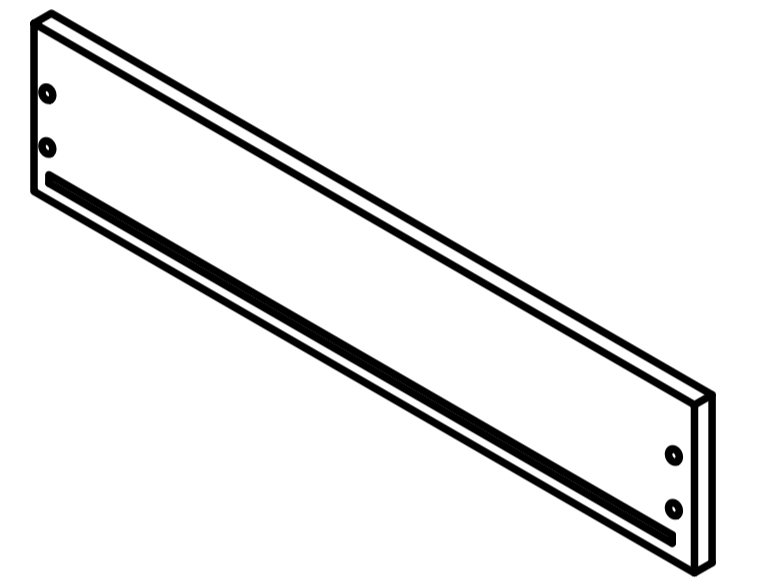
⑩ x1



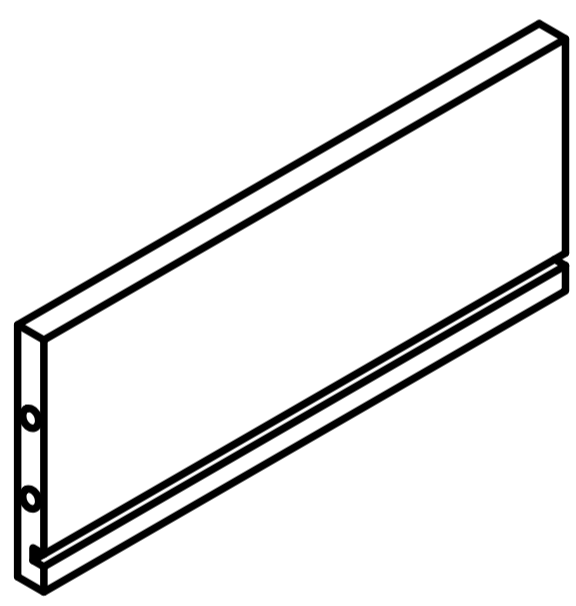
⑪ x1



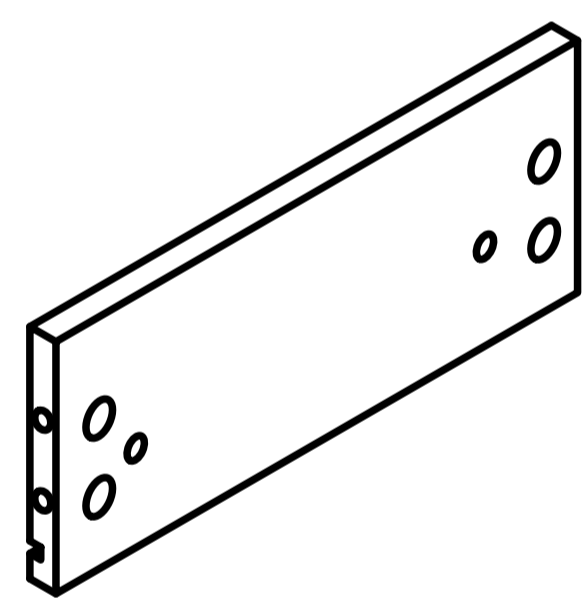
⑫ x1



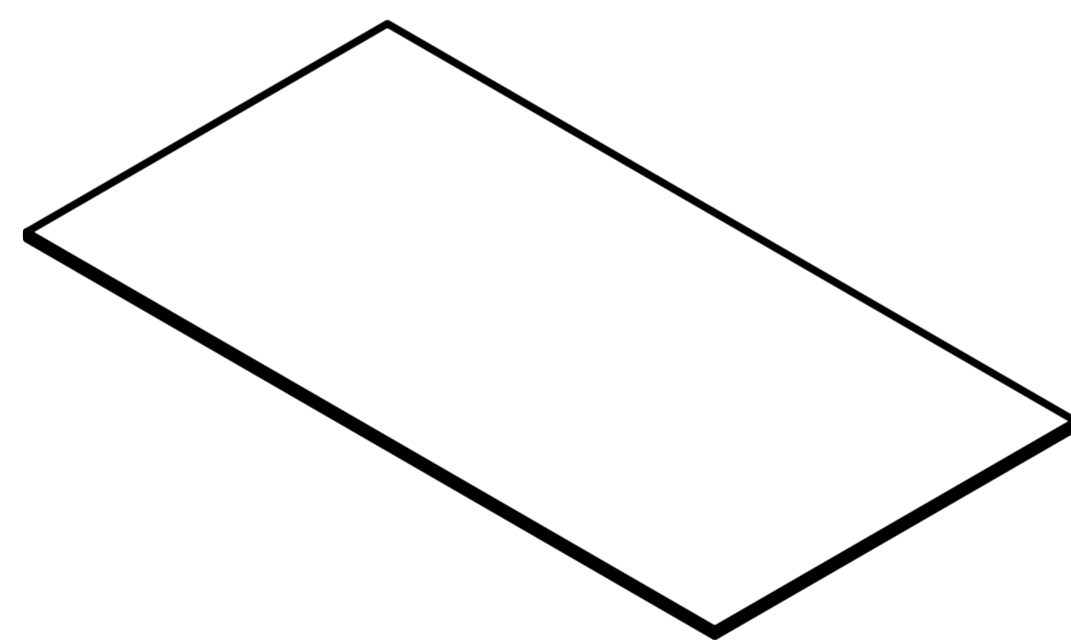
⑬ x2



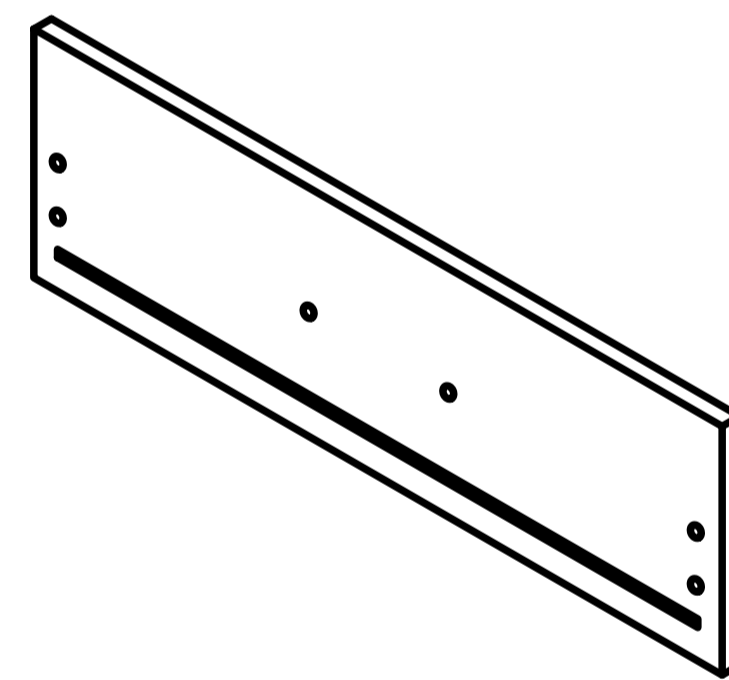
⑭ x2



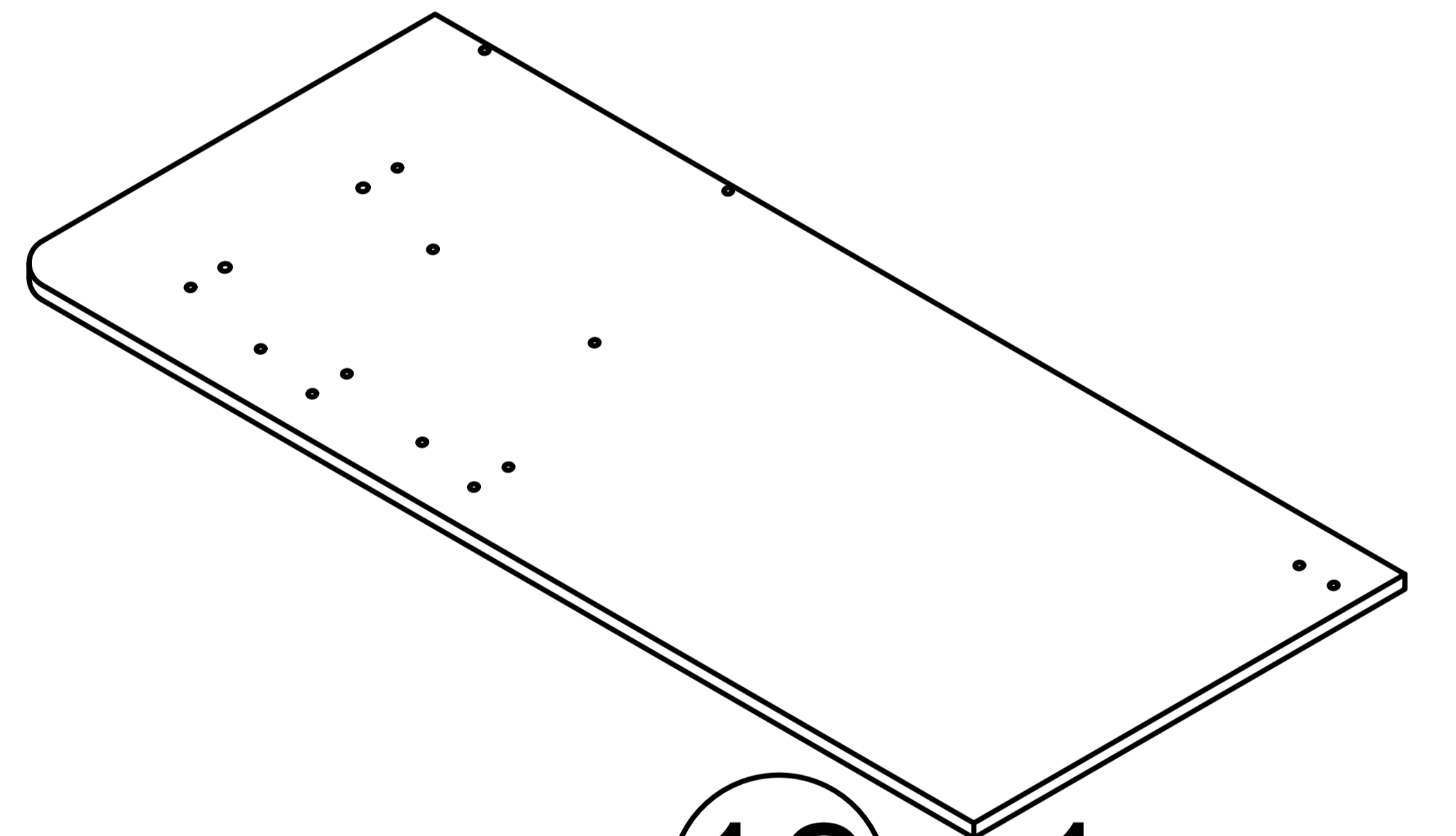
⑮ x2



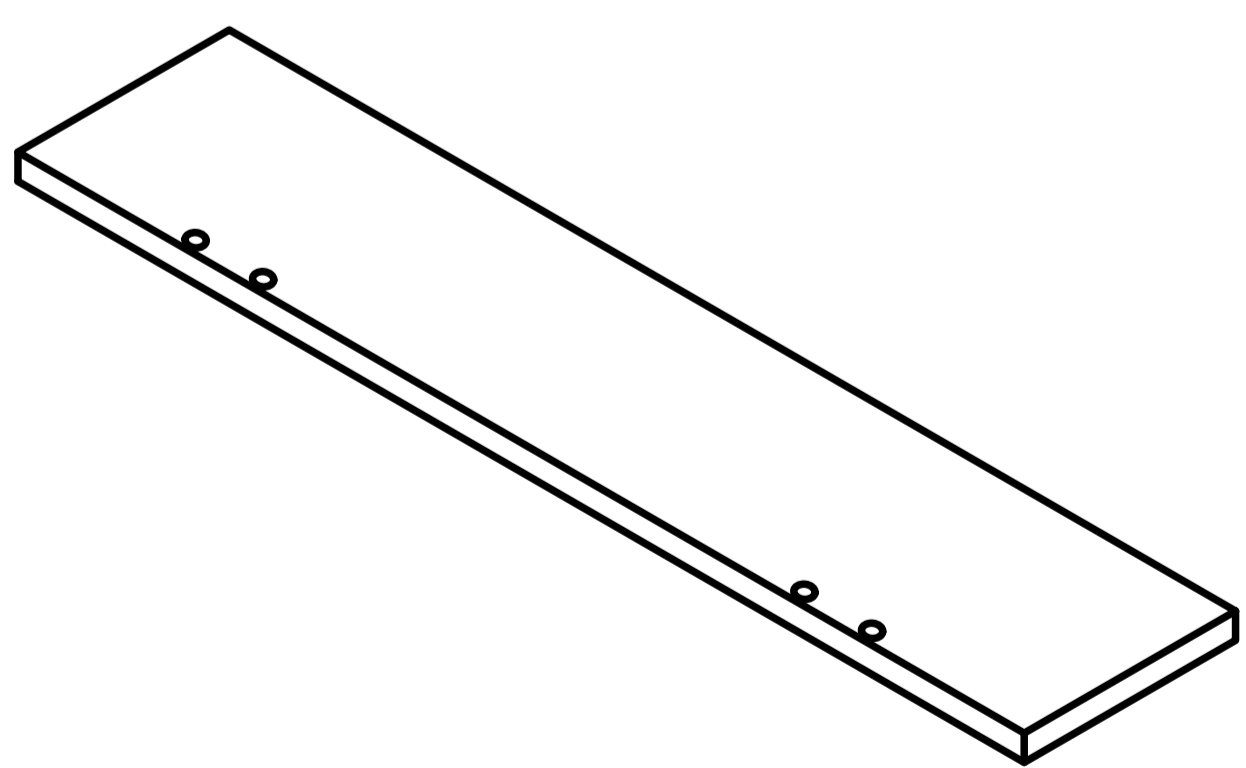
⑯ x2



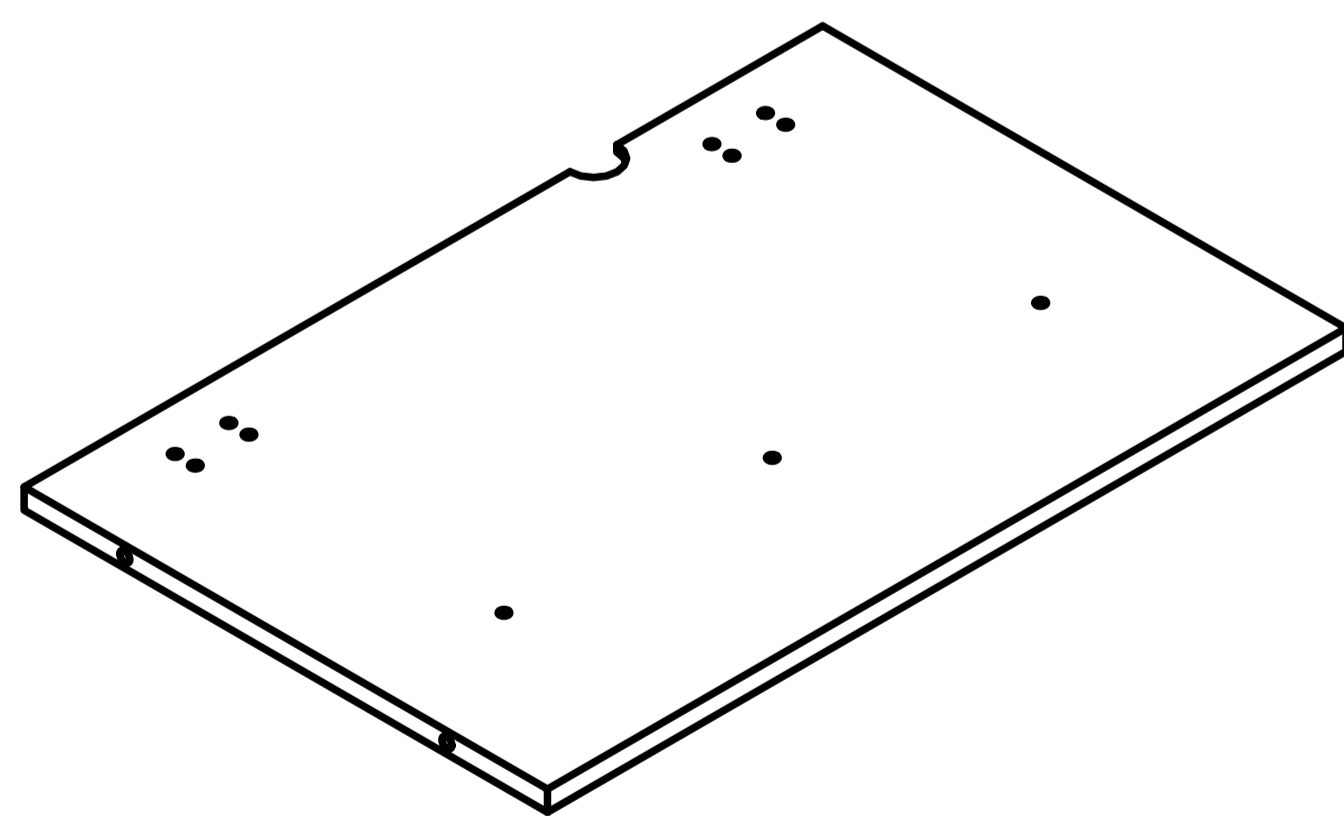
⑰ x2



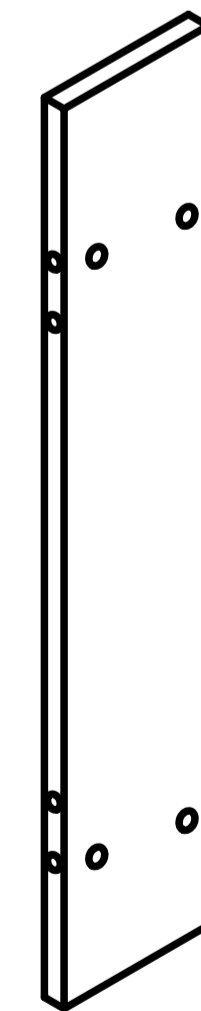
⑱ x1



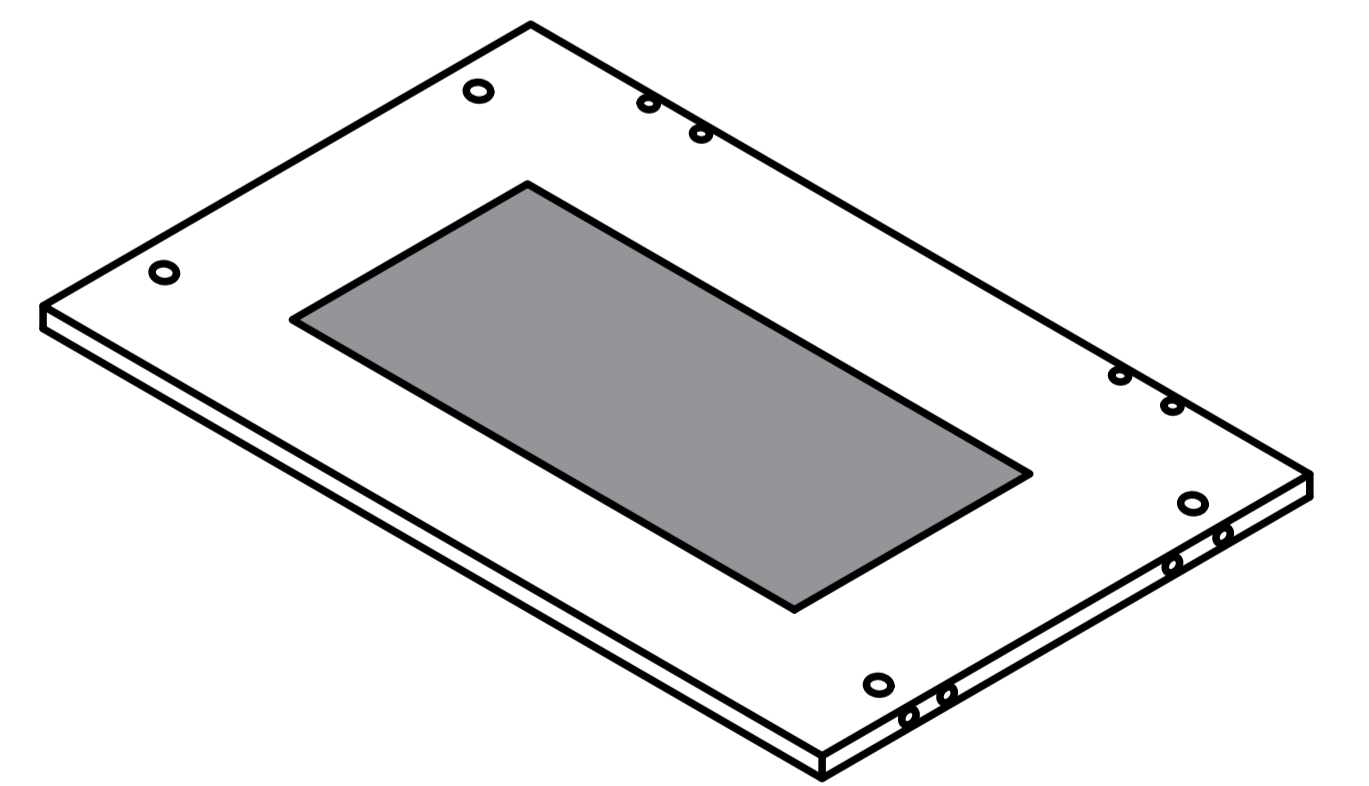
⑲ x1



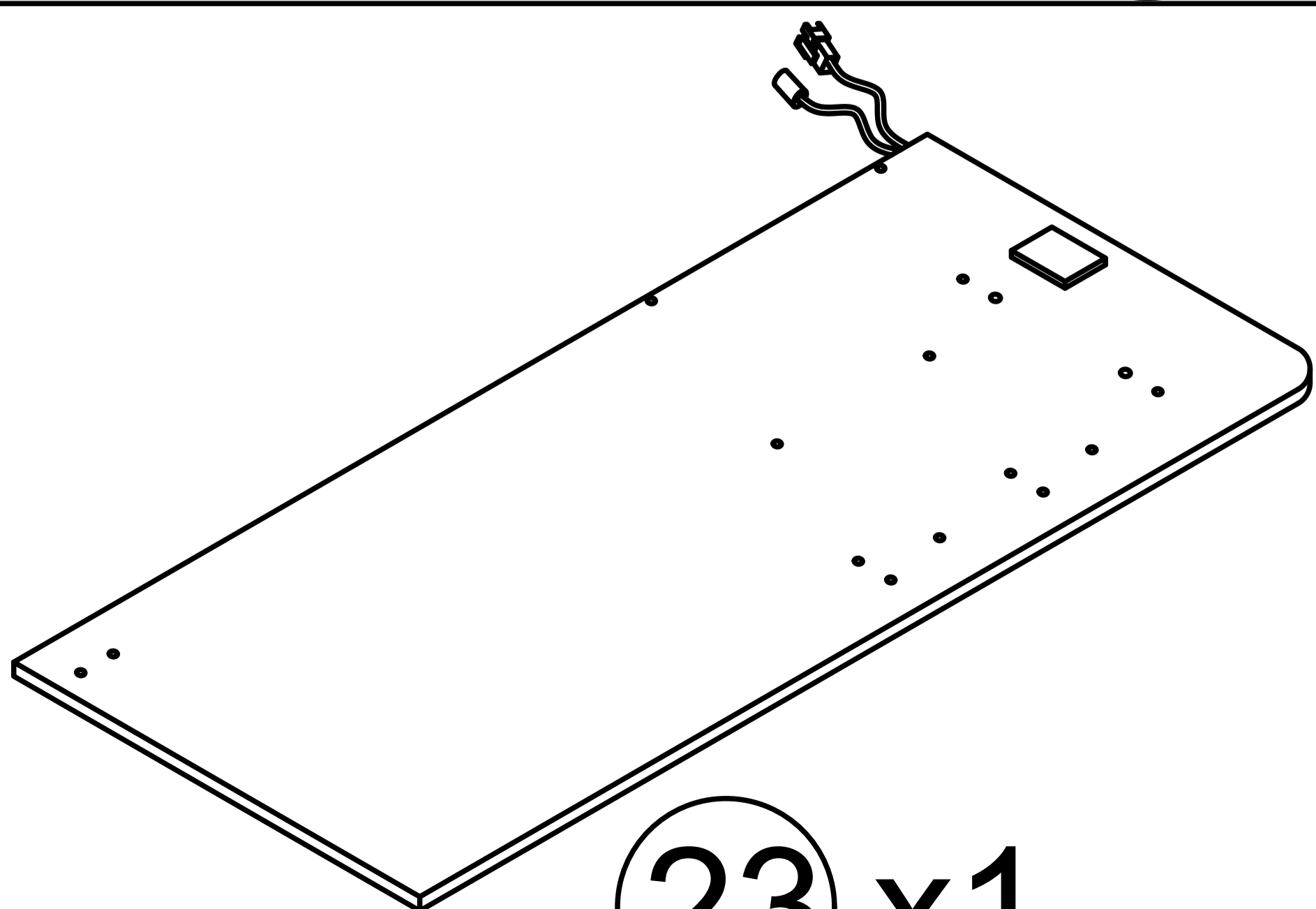
⑳ x1



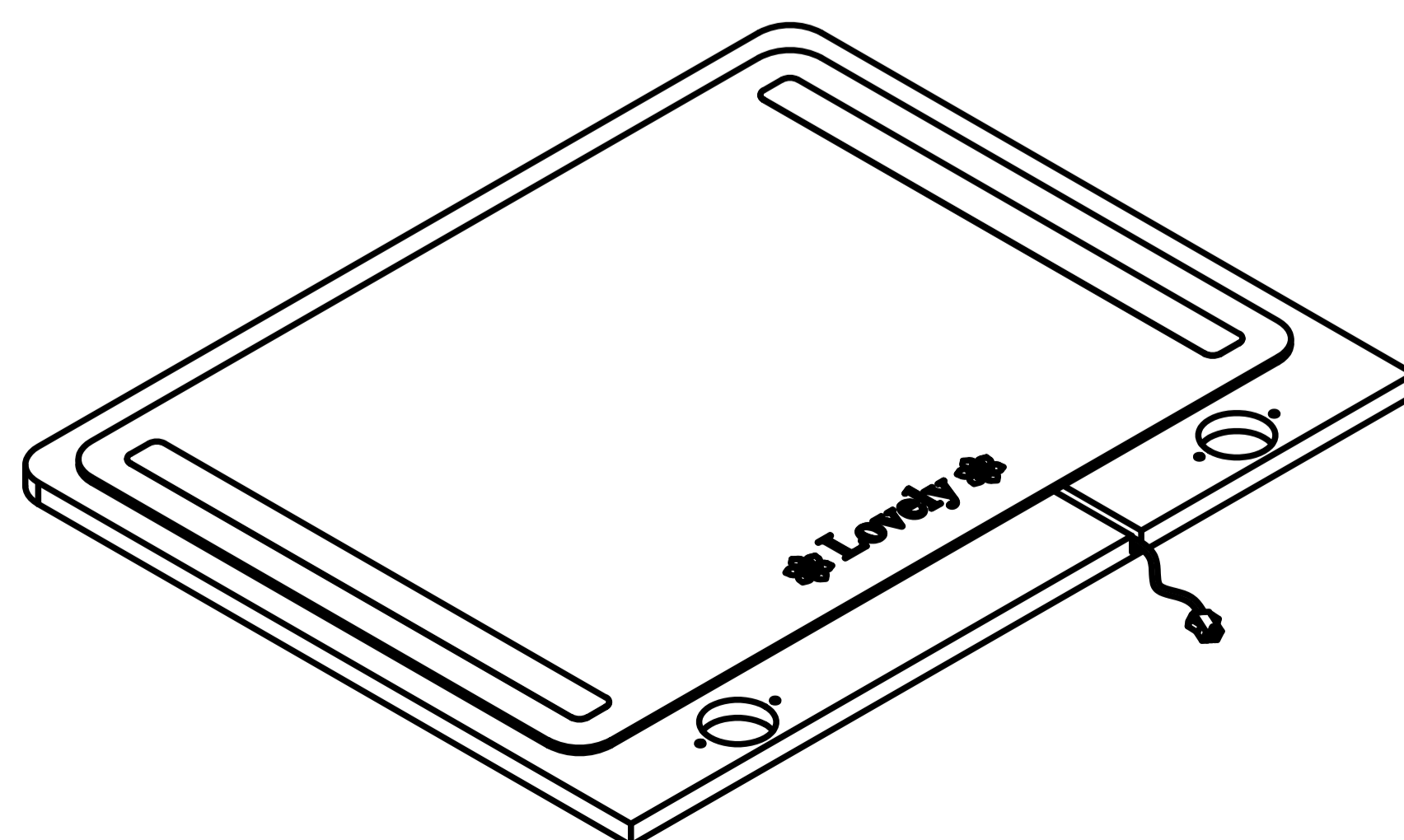
㉑ x1



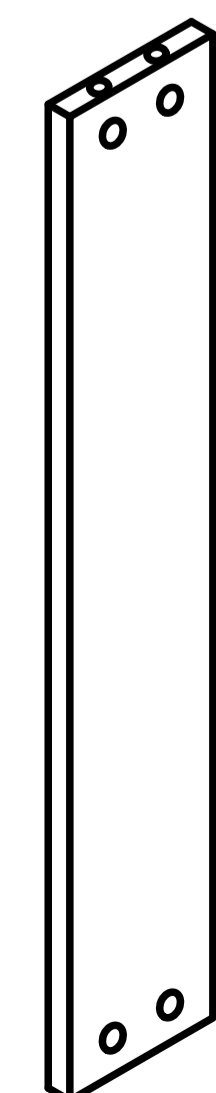
㉒ x1



㉓ x1



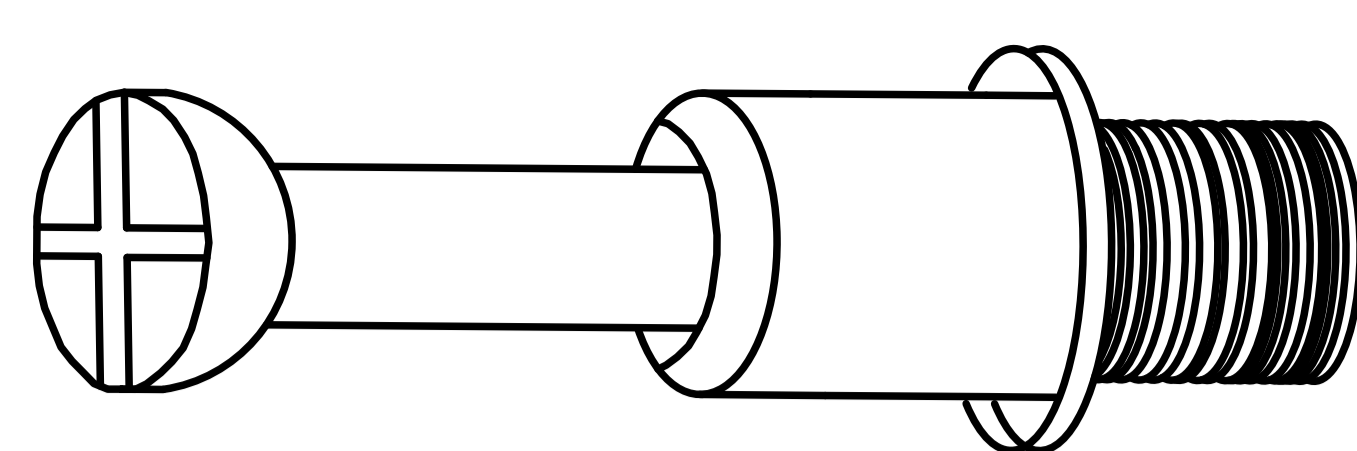
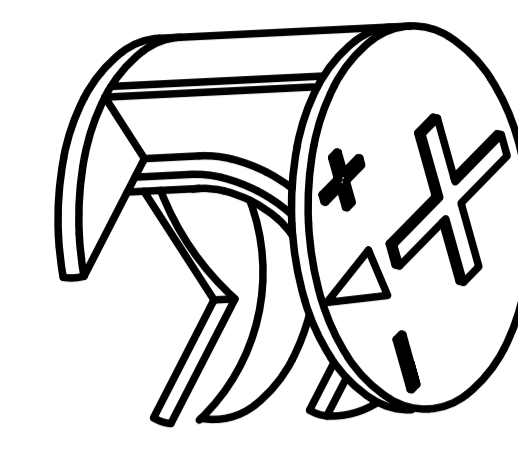
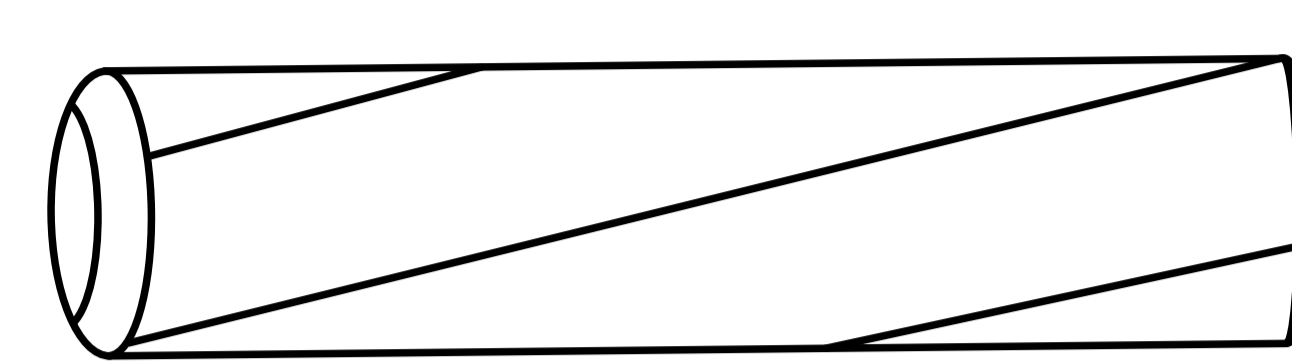
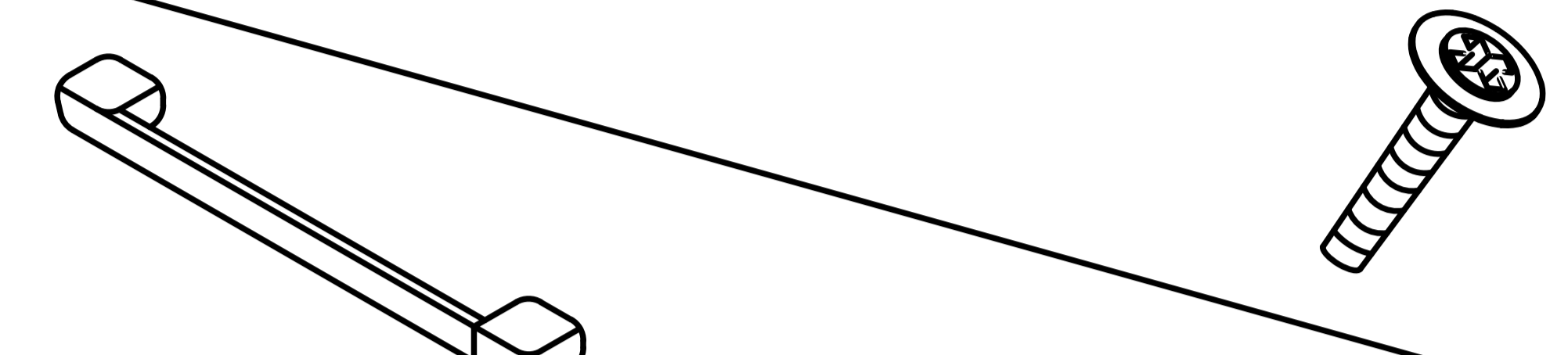
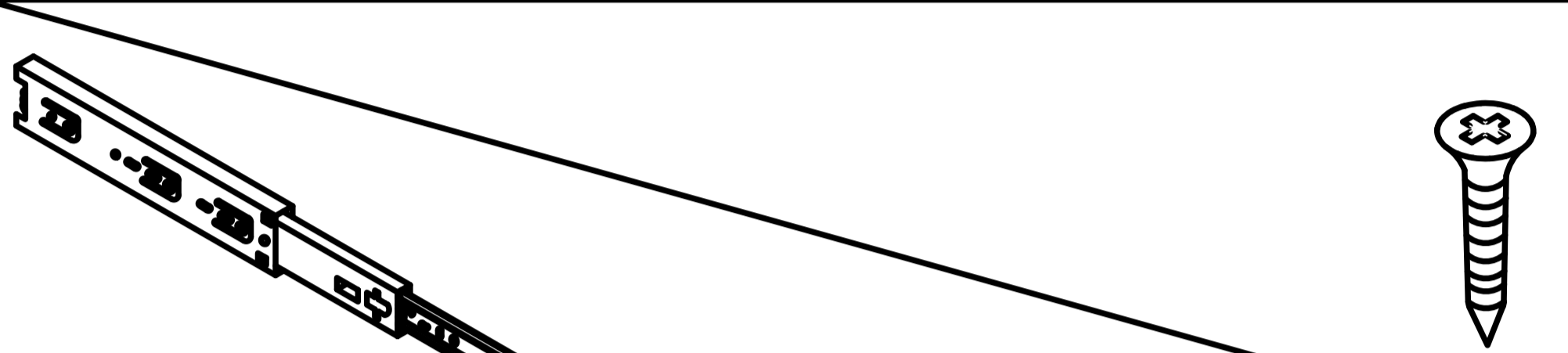
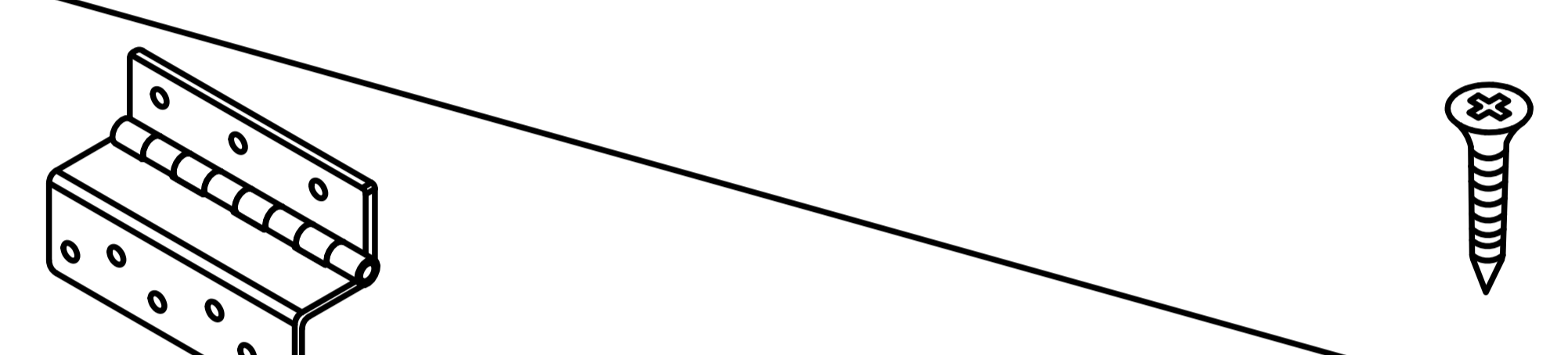
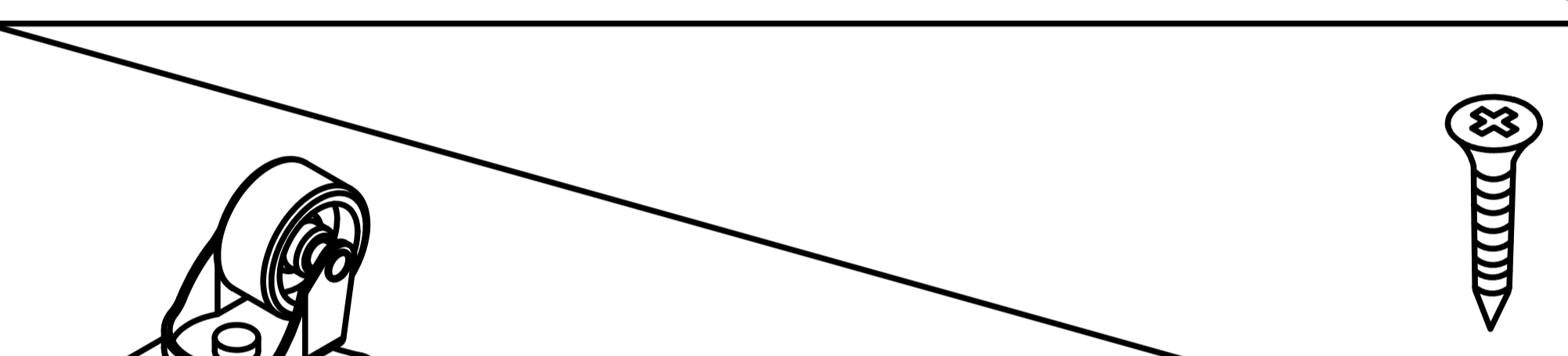

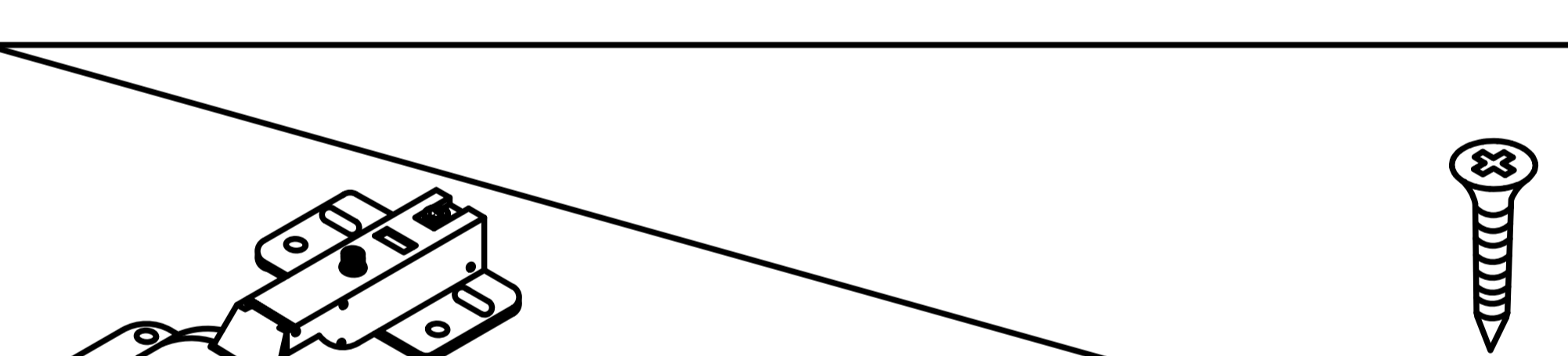
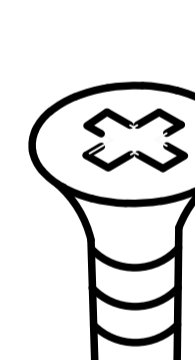
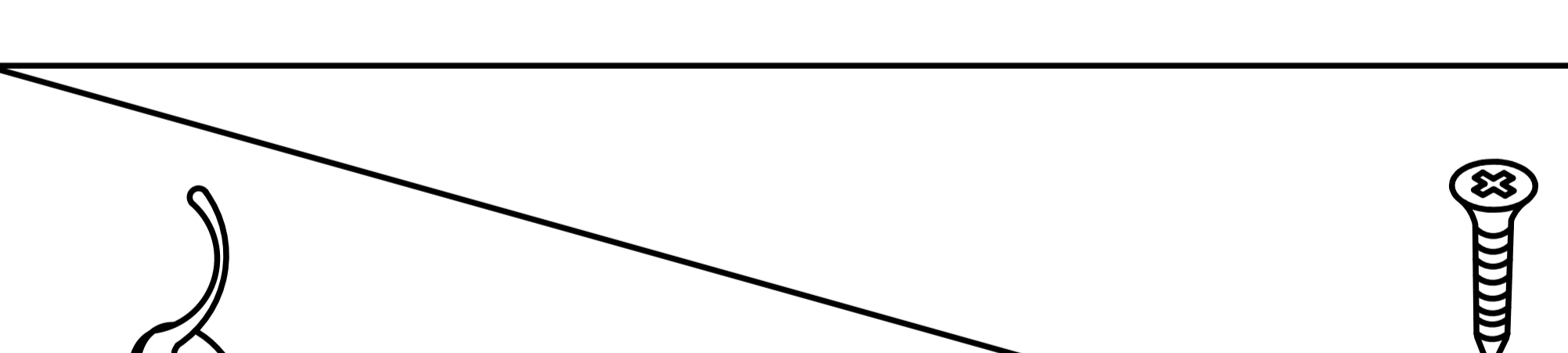
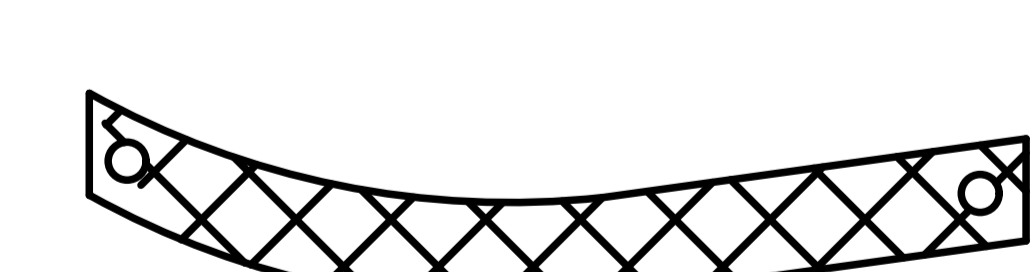
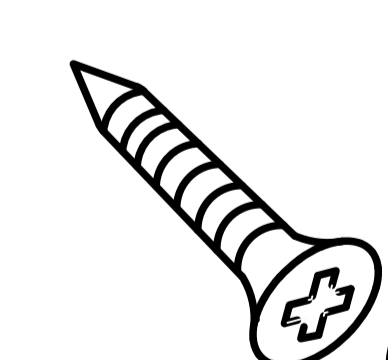

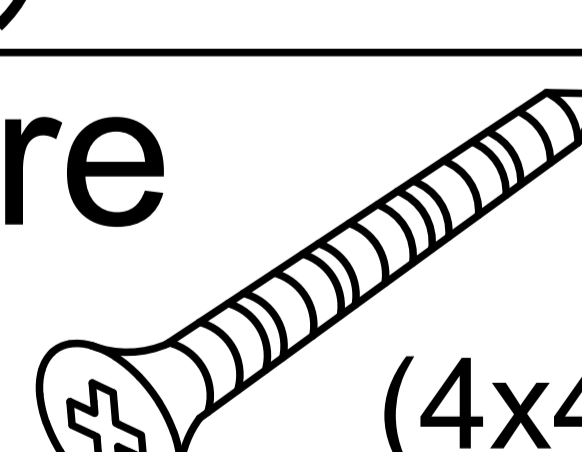
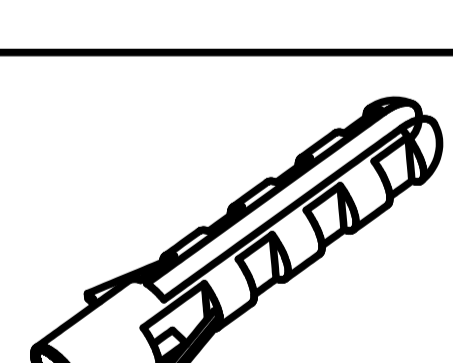
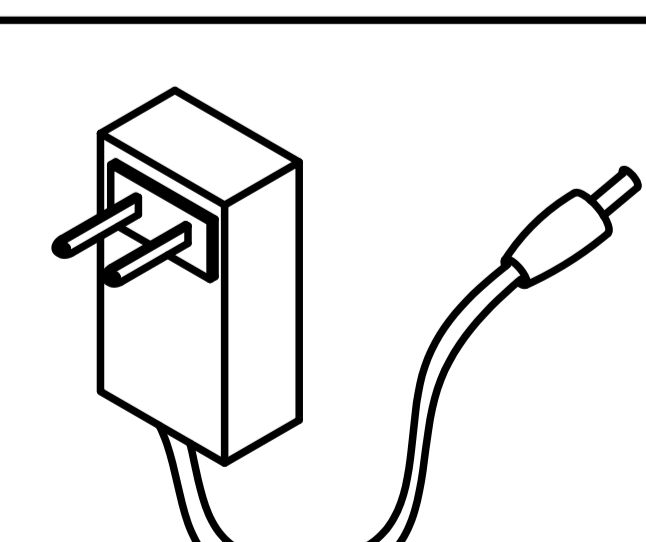
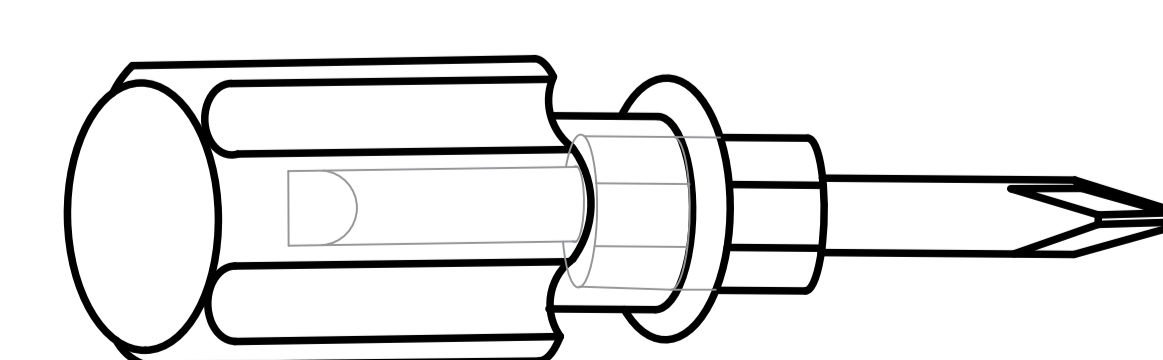
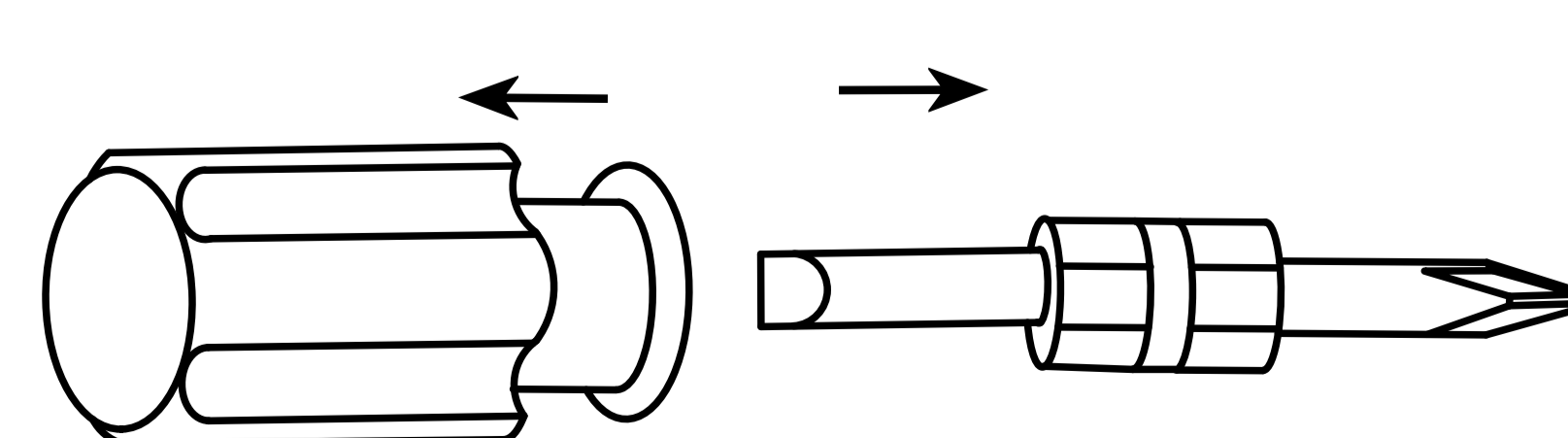
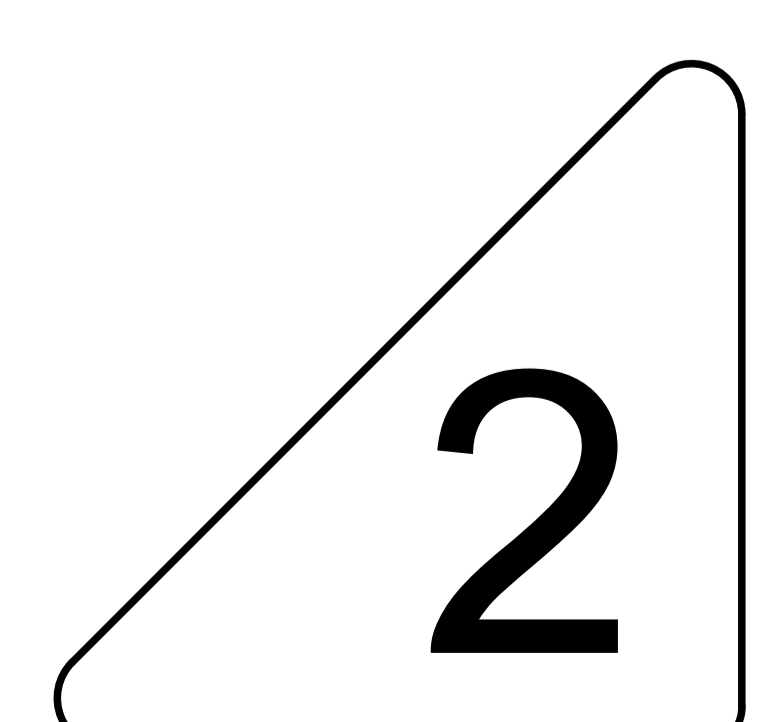
㉔ x1



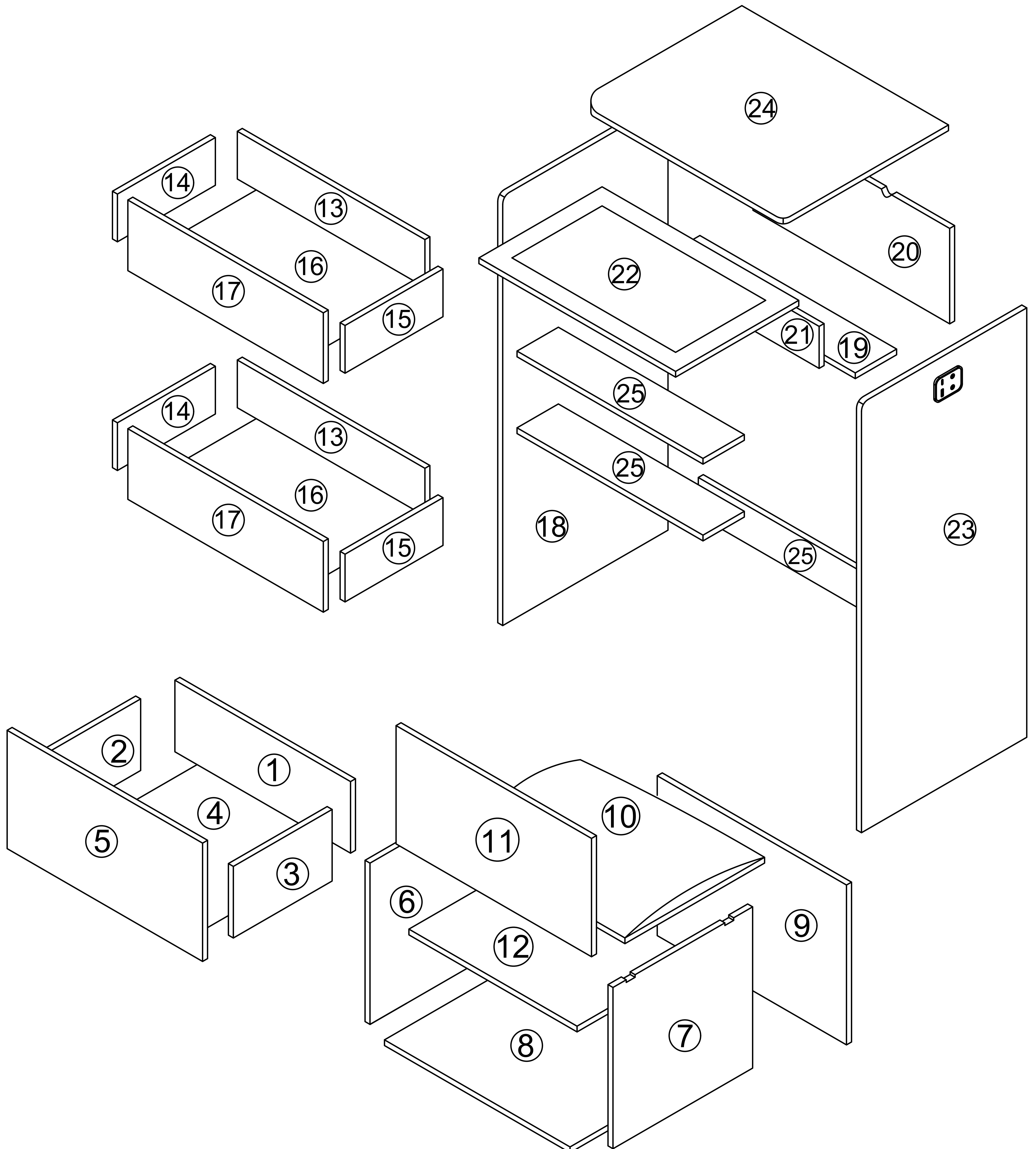
㉕ x3

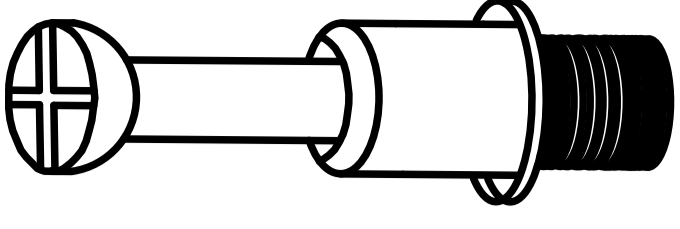
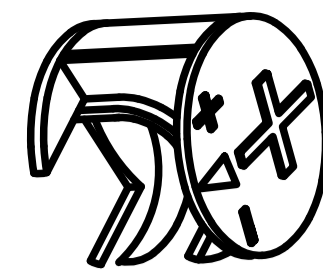
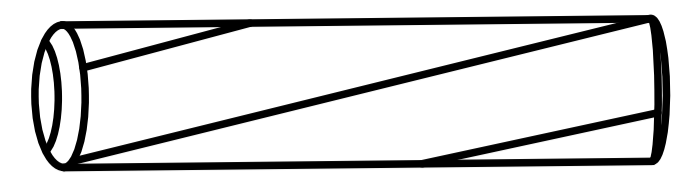
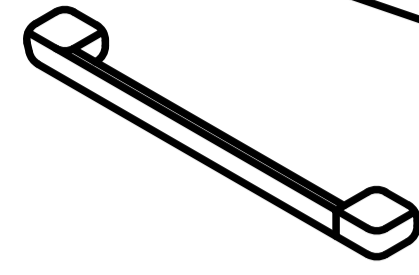
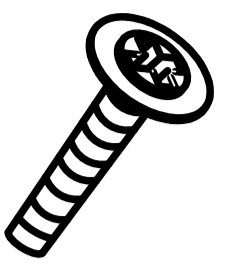
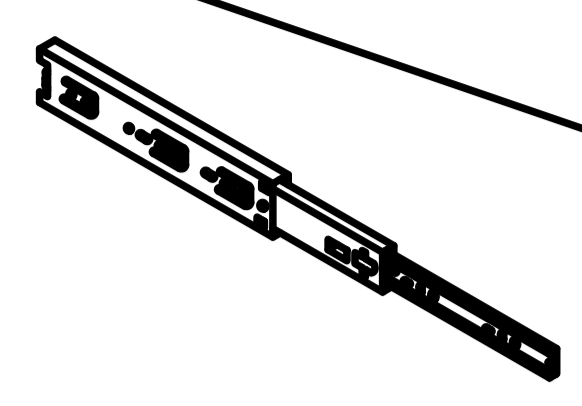
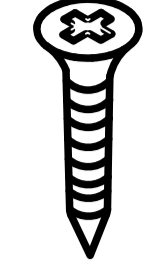
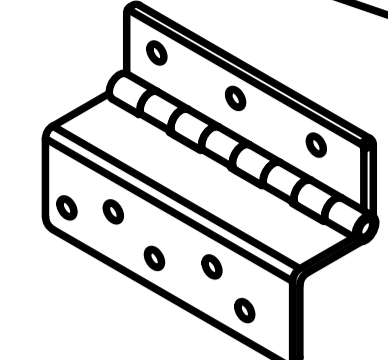
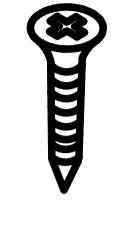
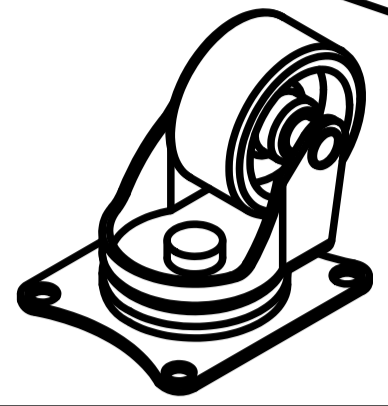



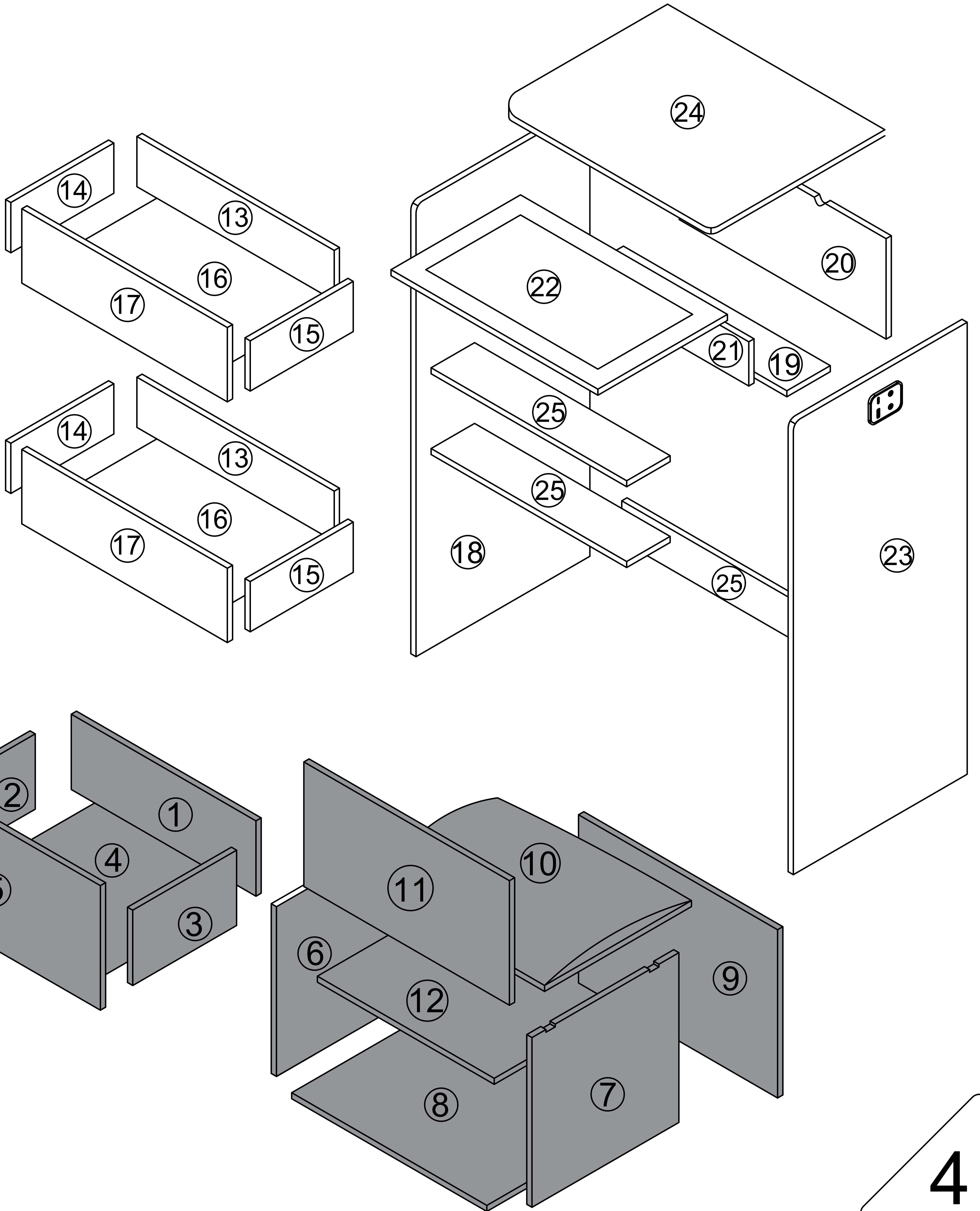
1

A		Two In One Screw (6x28mm)	74pcs +4pcs
B		Two In One Nut (10x12mm)	74pcs +4pcs
C		Wood Chipping (6x30mm)	12pcs +4pcs
D		Handle & Screw (4x16mm)	8pcs +1pcs 4pcs
E		(24cm) Guide & Screw (3x12mm)	30pcs +6pcs 6pcs
F		Hinge & Screw (3.5x12mm)	12pcs +1pcs 2pcs
G		Wheel & Screw (3.5x12mm)	16pcs +1pcs 4pcs
H		Non-slip pads	6pcs +2pcs
I		Hinge & Screw (3.5x12mm)	4pcs +1pcs 2pcs
J		Screw (4x14mm)	8pcs +1pcs
K		Hook & Screw (3x12mm)	2pcs +1pcs 1pcs
L	<div style="display: flex; justify-content: space-around; align-items: center;"> <div style="text-align: center;"> x1</div> <div style="text-align: center;"> x1</div> <div style="text-align: center;"> x2</div> <div style="text-align: center;"> x1</div> <div style="text-align: center;"> x1</div> </div>	Anti tipping hardware	
		AC/DC Adapter (12V == 2.0A)	1pcs
	 1pcs	 Double-head screwdriver, use as required	

Product structure decomposition

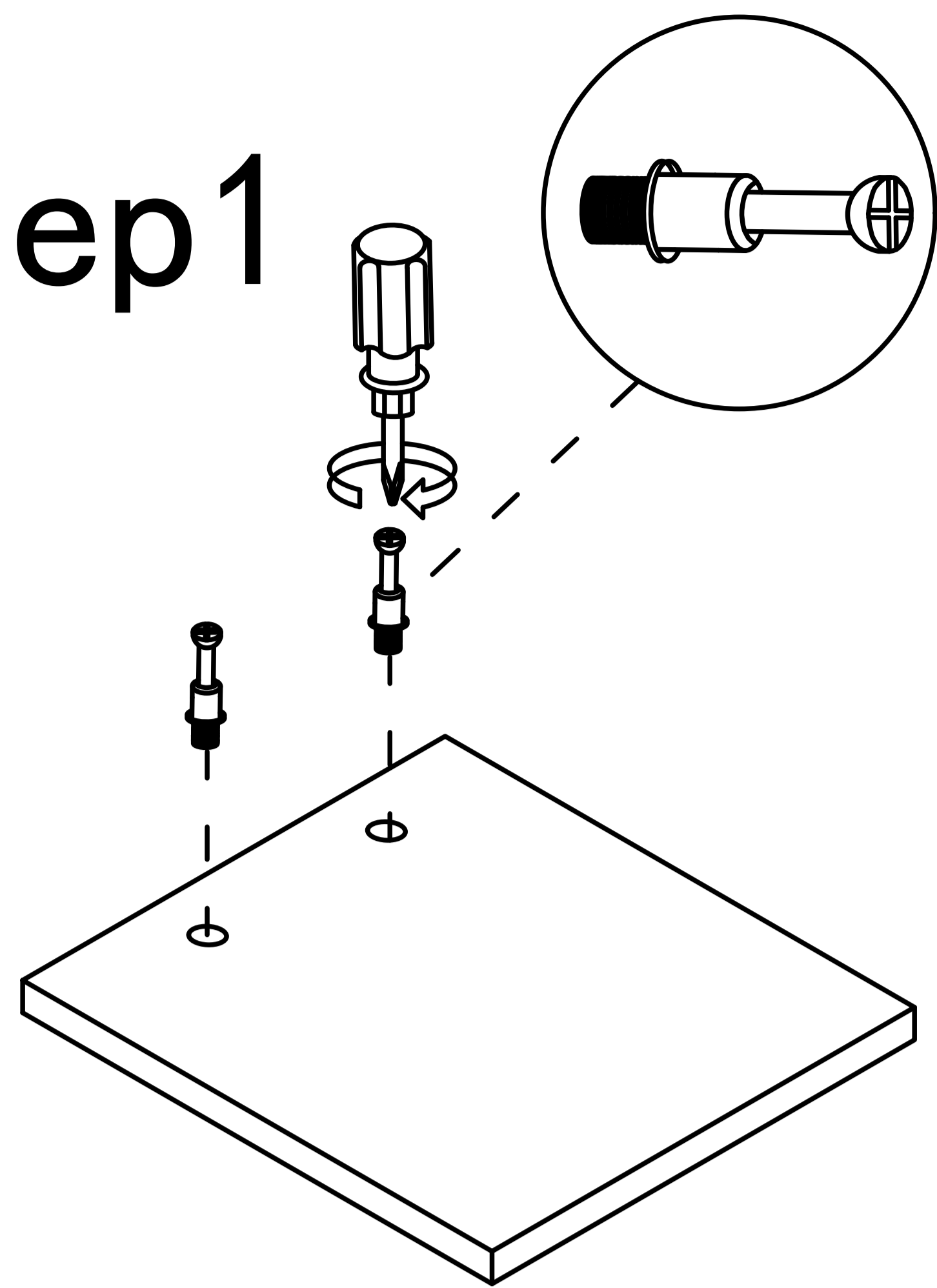


A		31pcs	B		31pcs	C		4pcs	
D	 2pcs	 4pcs	E	 2pcs	 10pcs	F	 2pcs	 12pcs	
G	 4pcs	 16pcs							

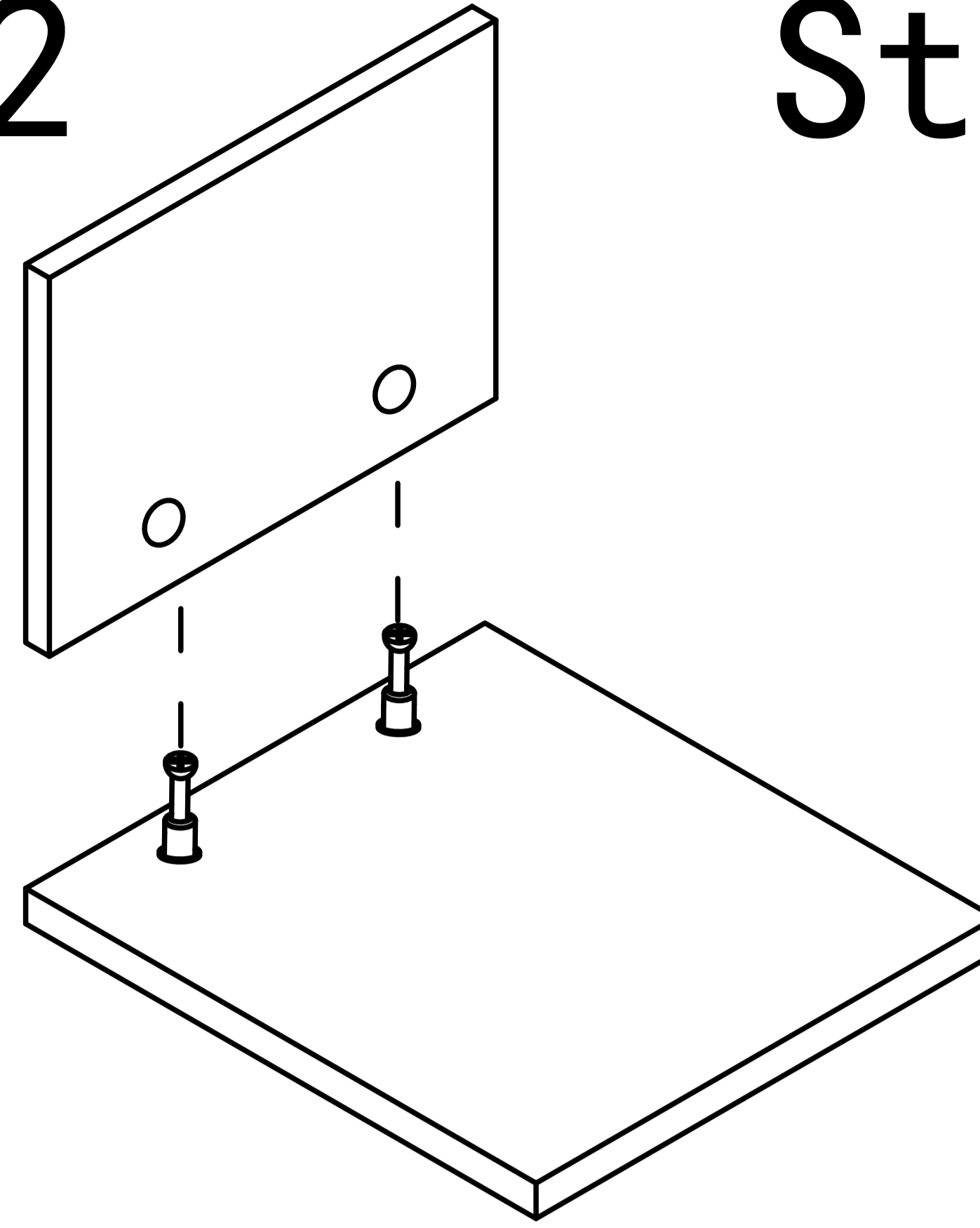


Screw installation method

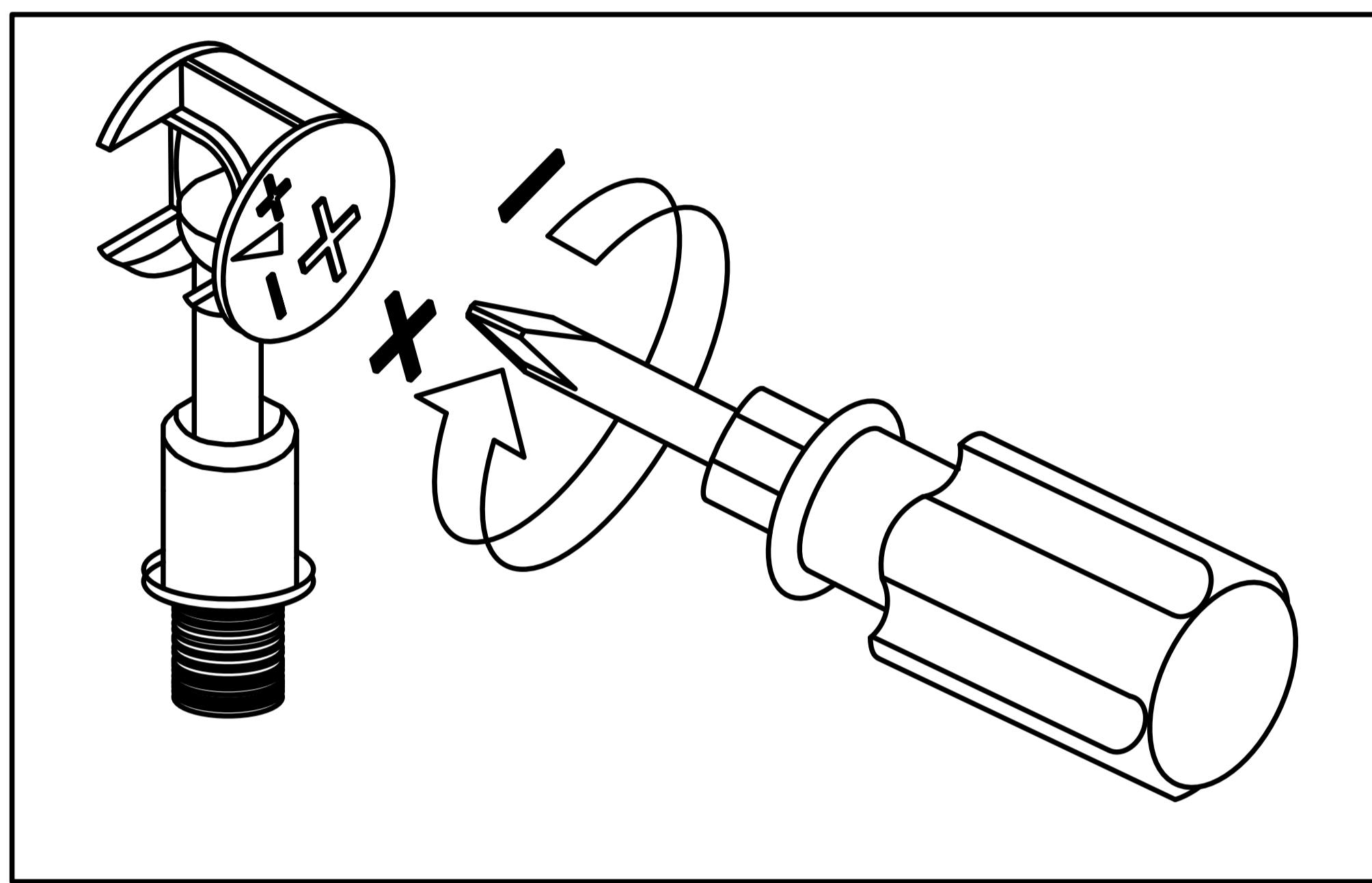
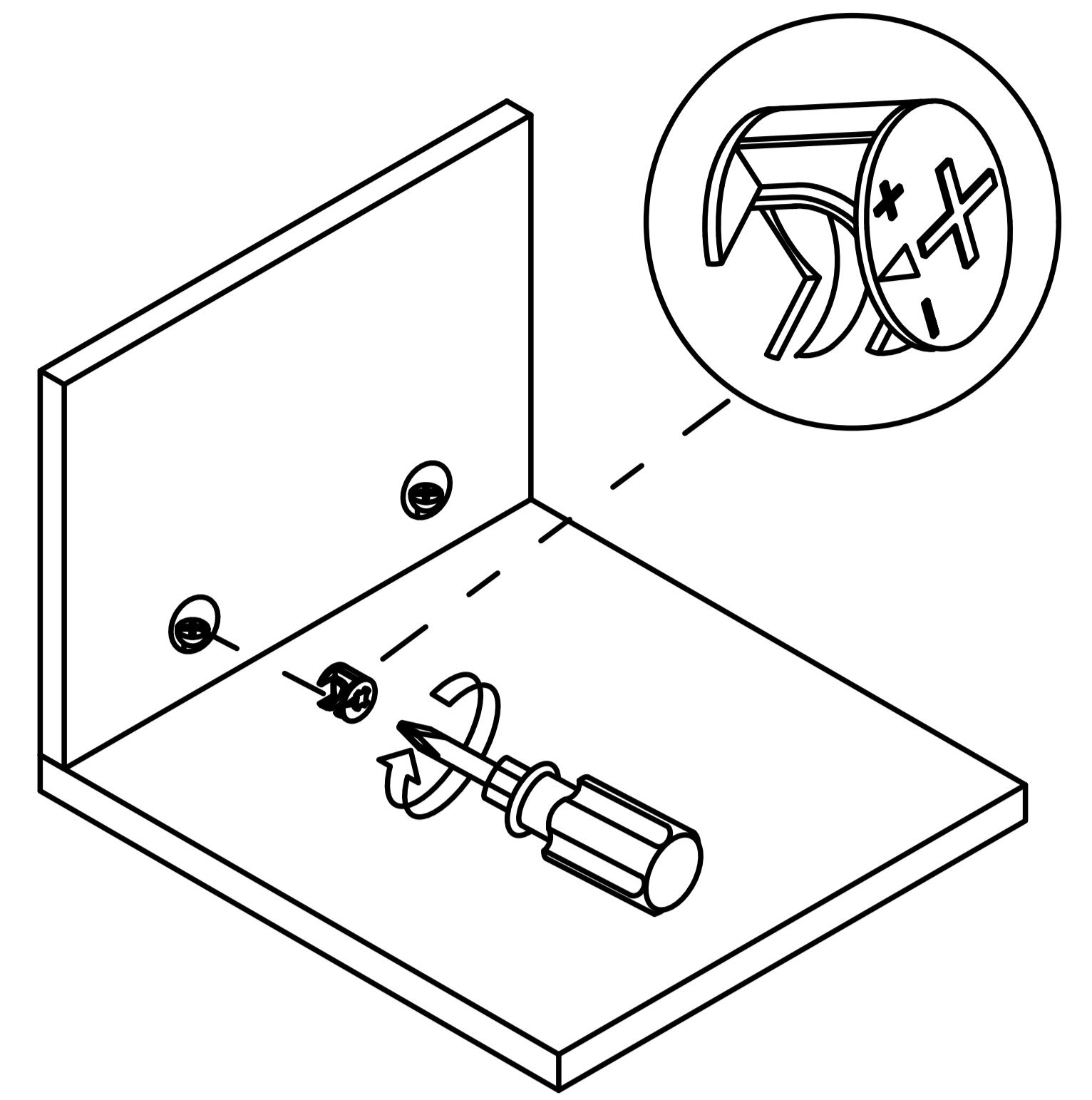
Step 1



Step 2



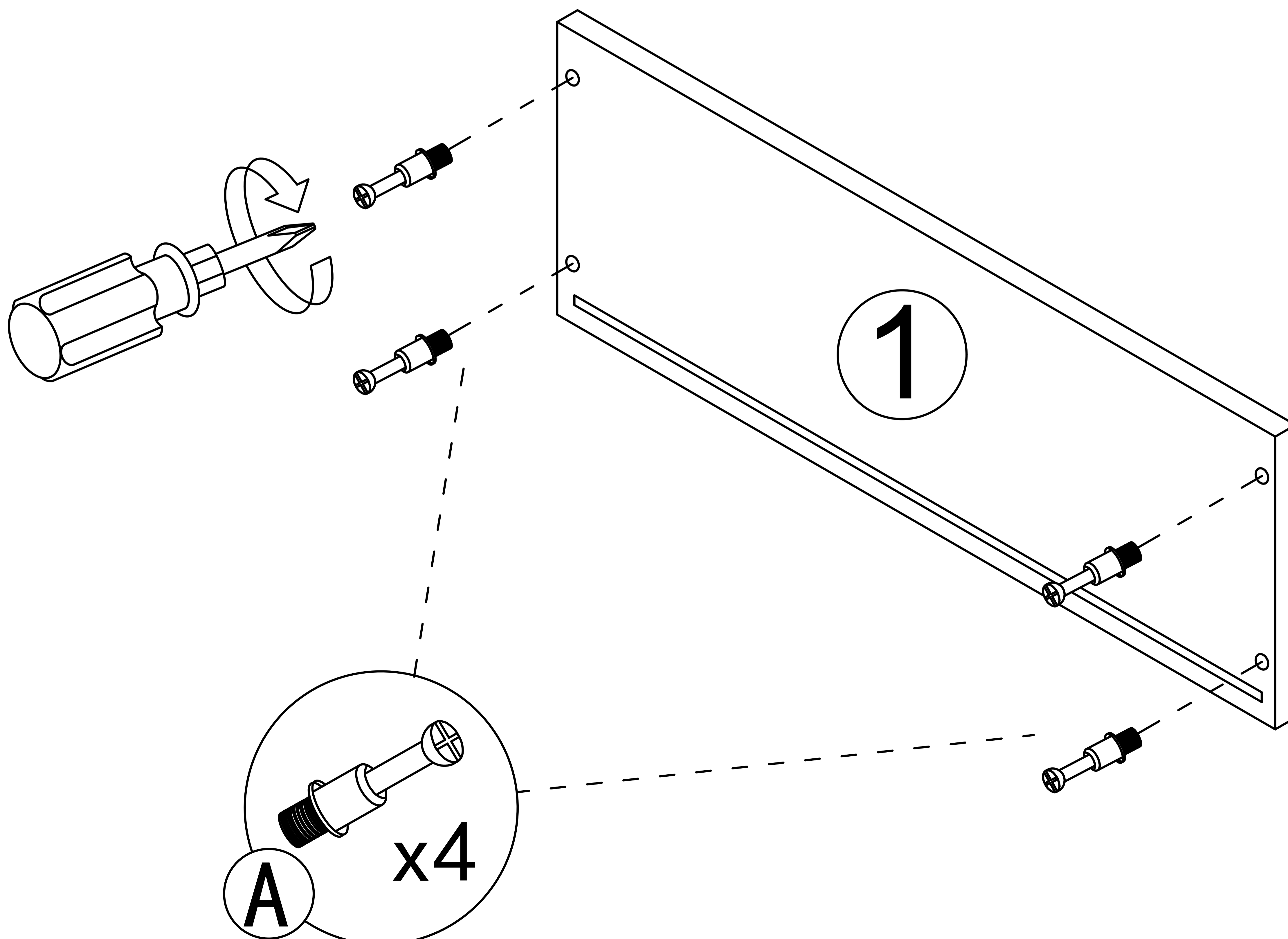
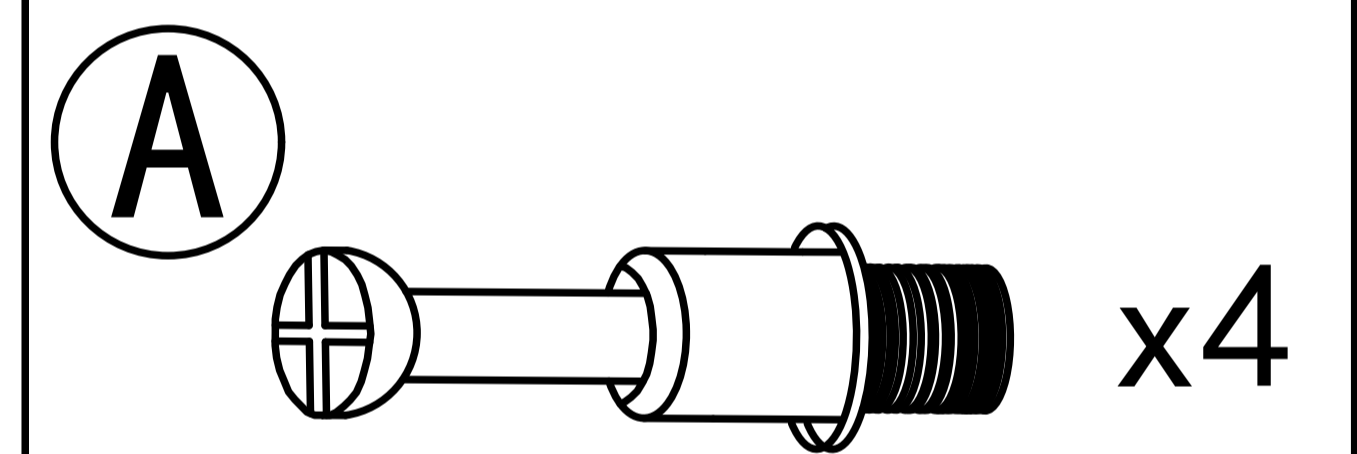
Step 3



Use a screwdriver to lock in the direction of the "+" sign

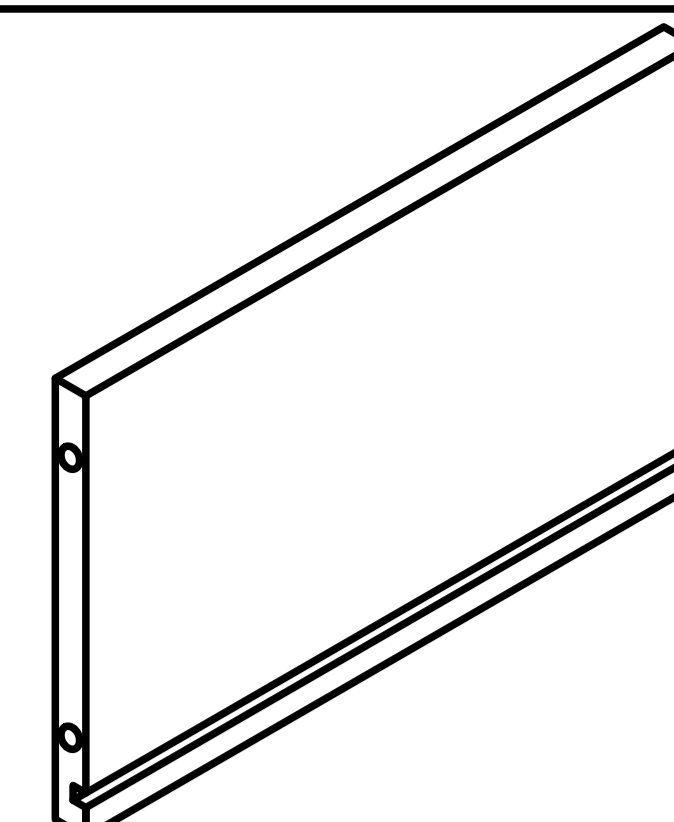
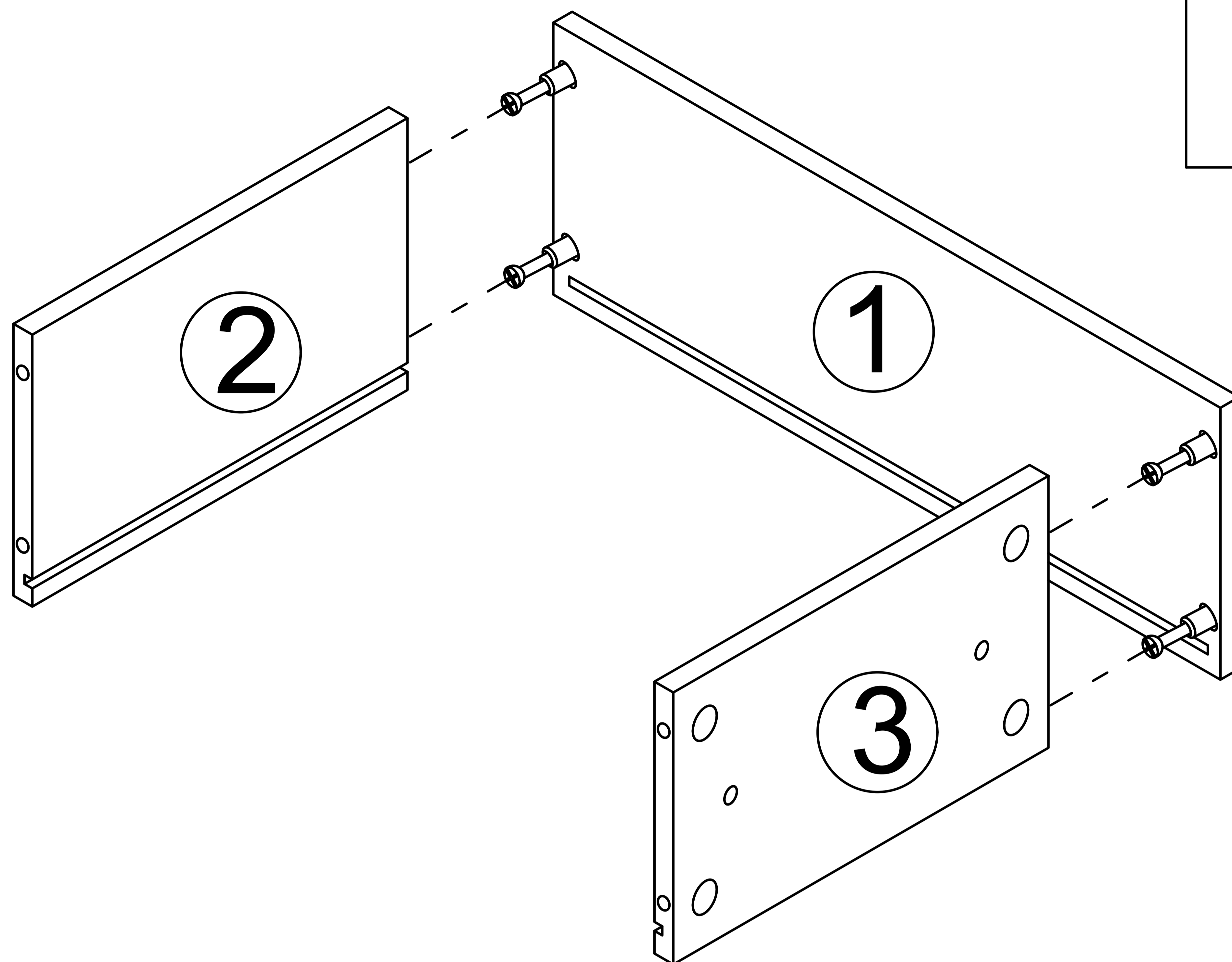
Disassemble along the direction of "-" sign

Step 1

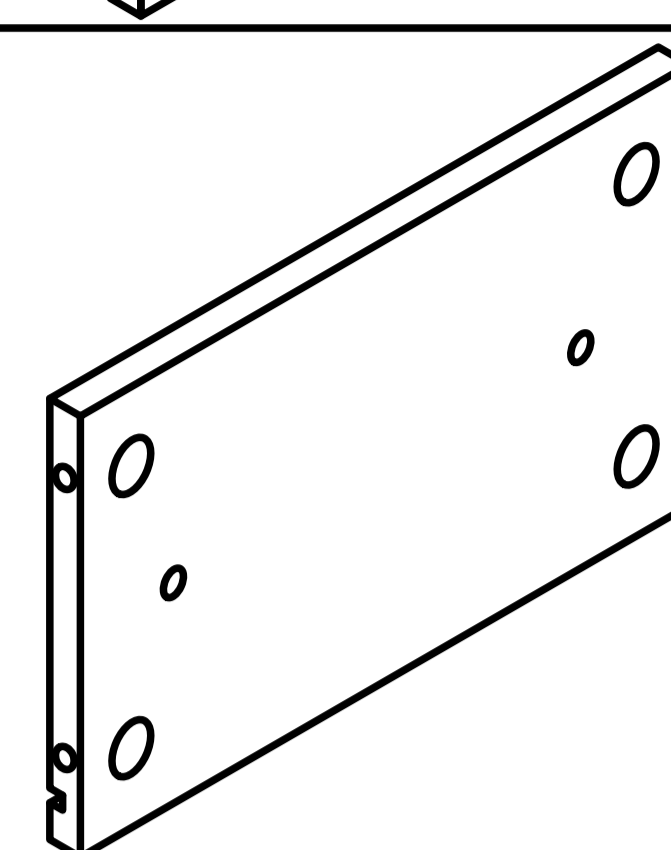


5

Step 2

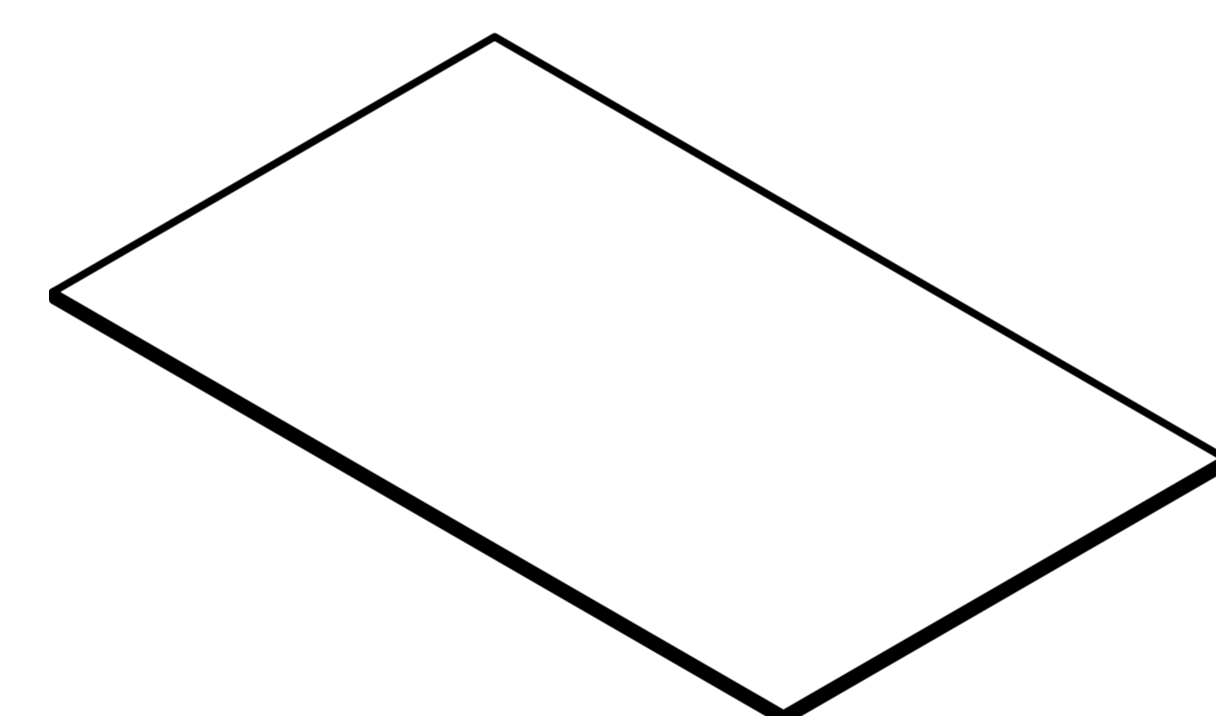
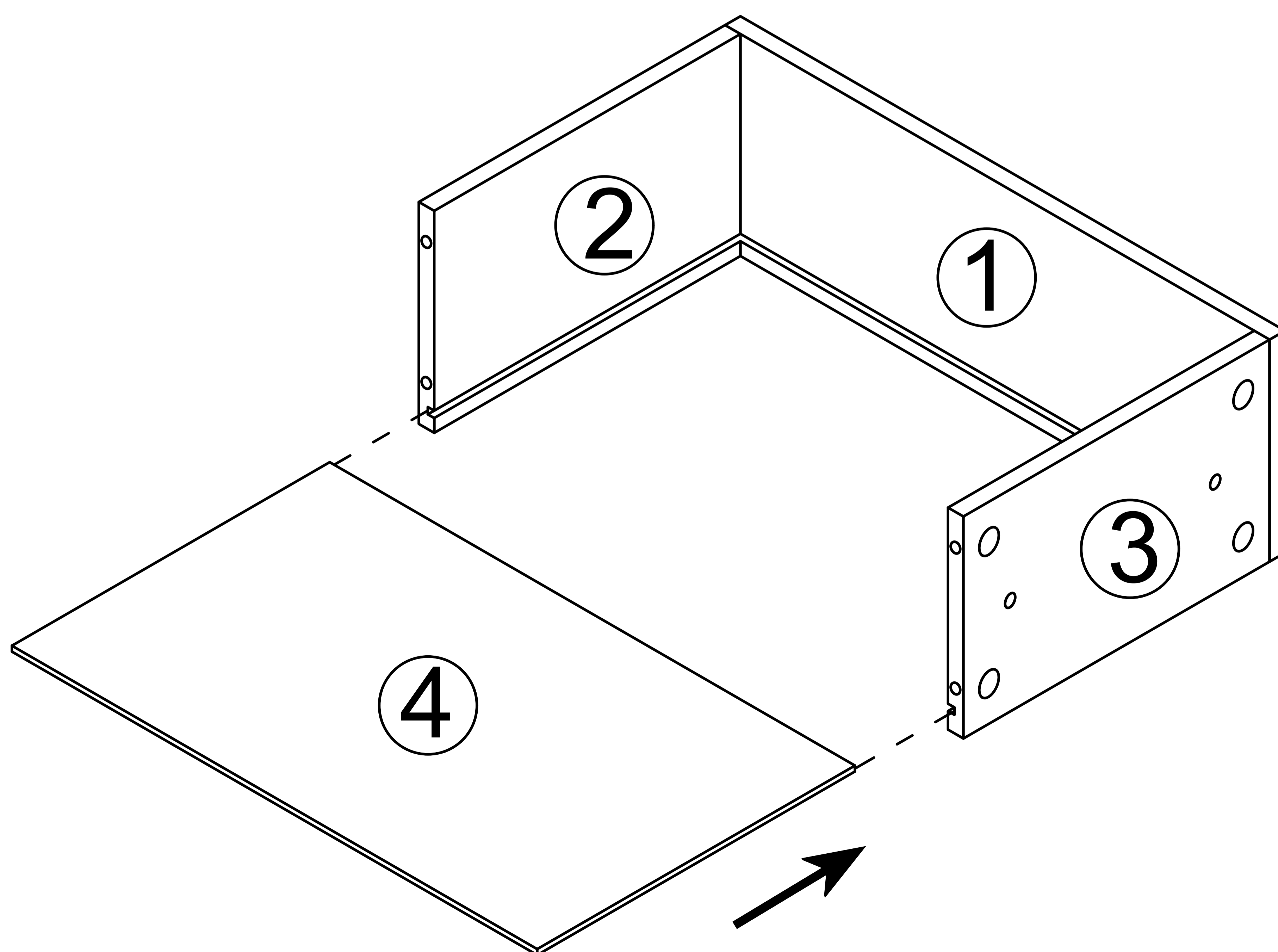


2 x 1

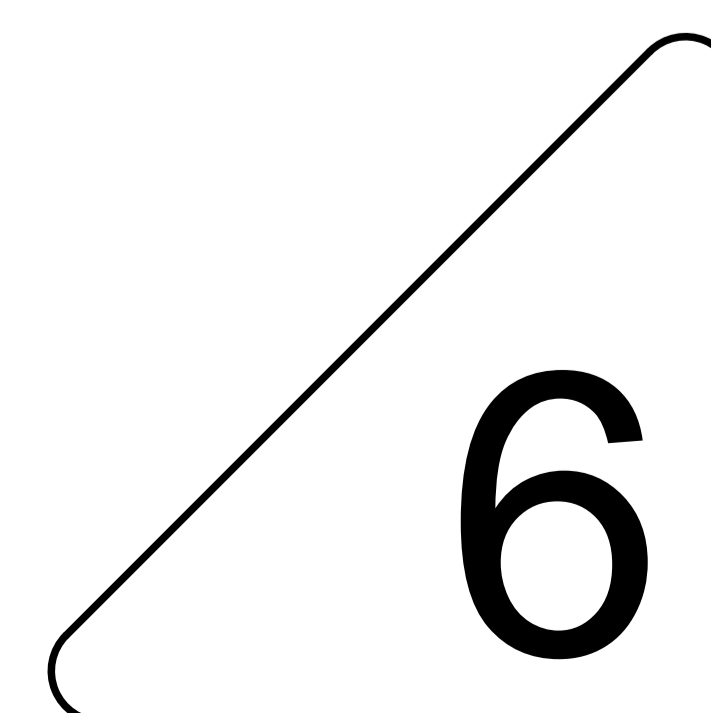


3 x 1

Step 3

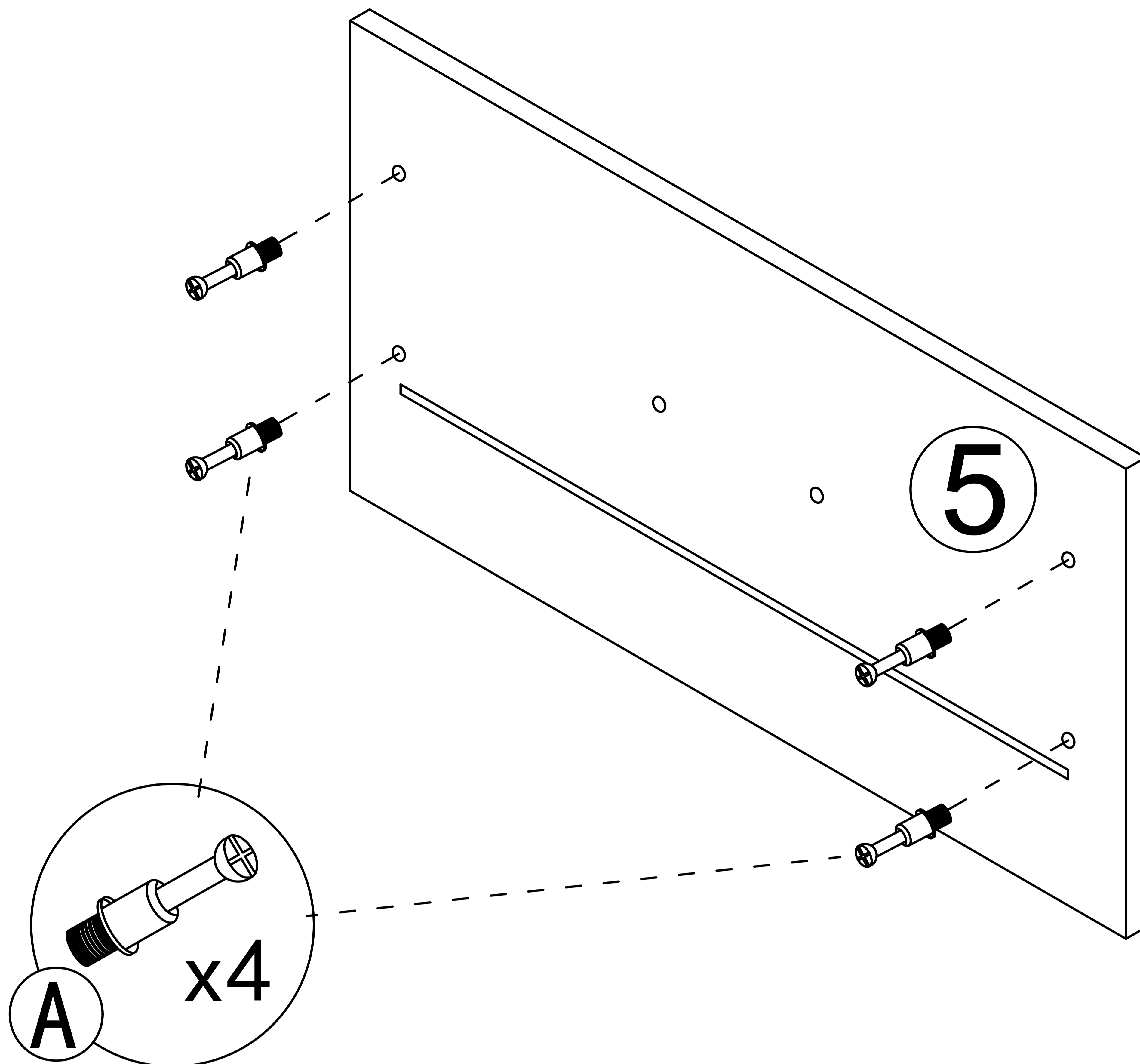
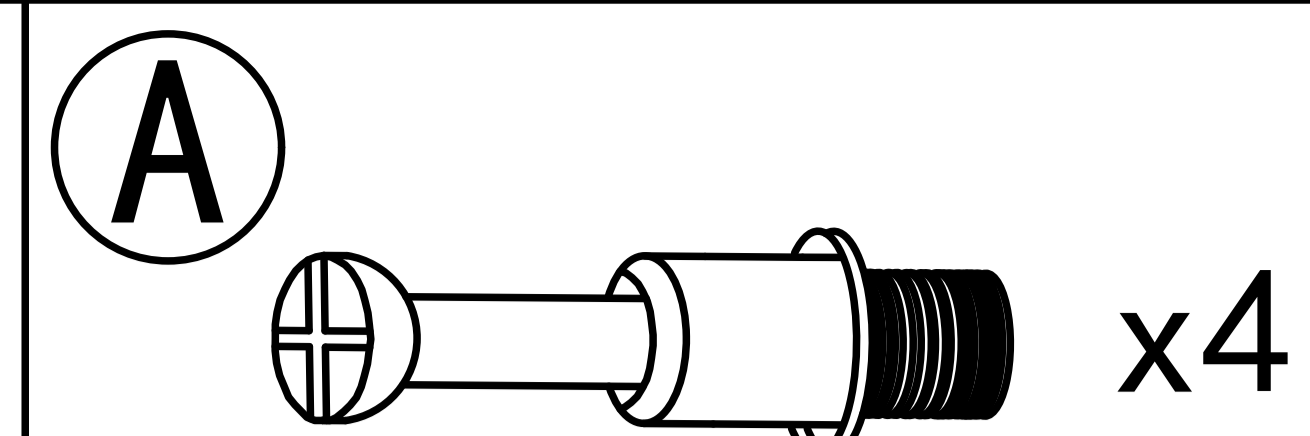


4 x 1

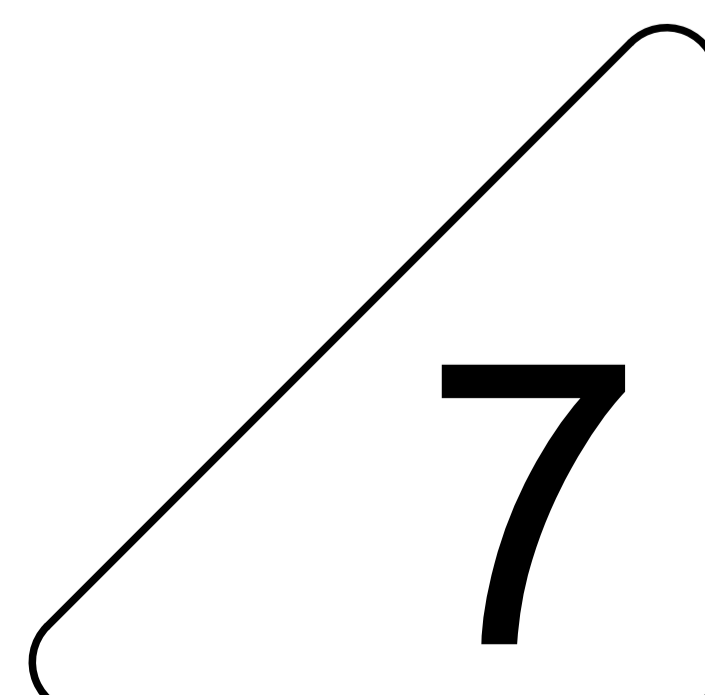
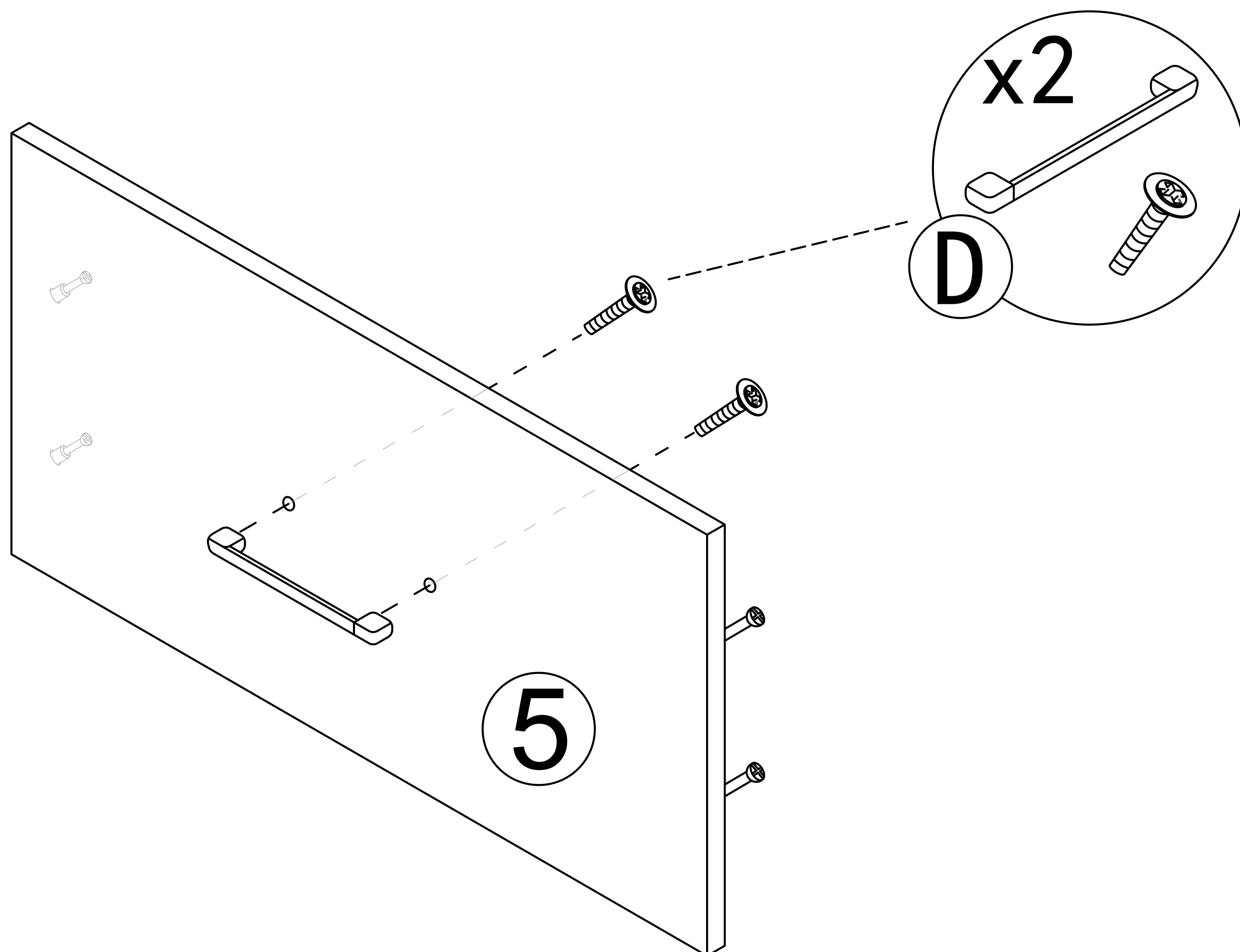
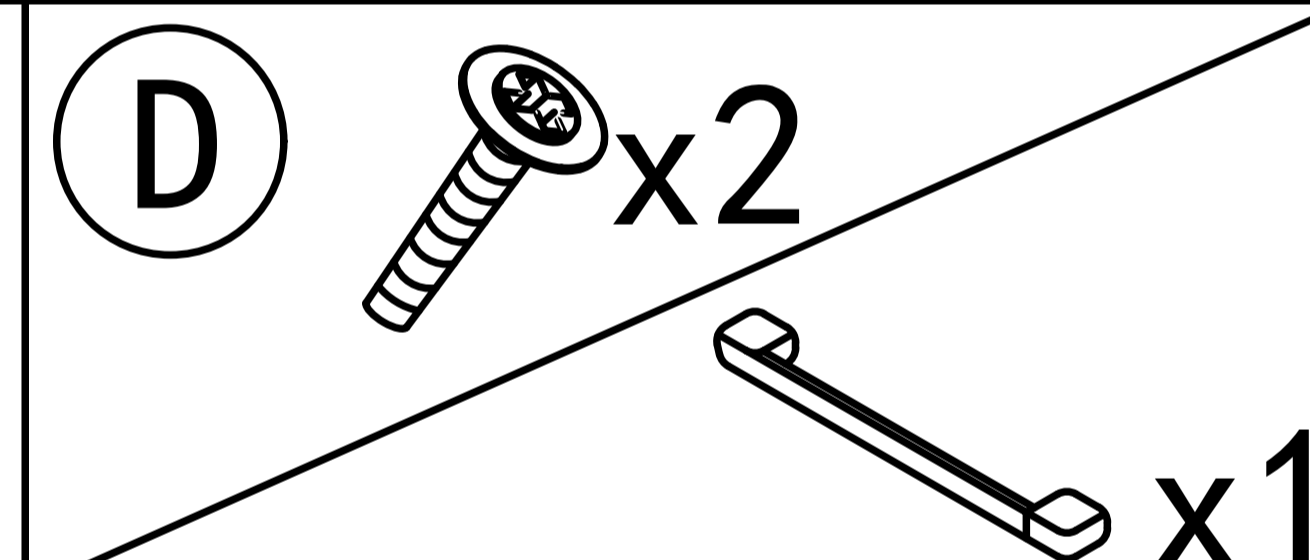


6

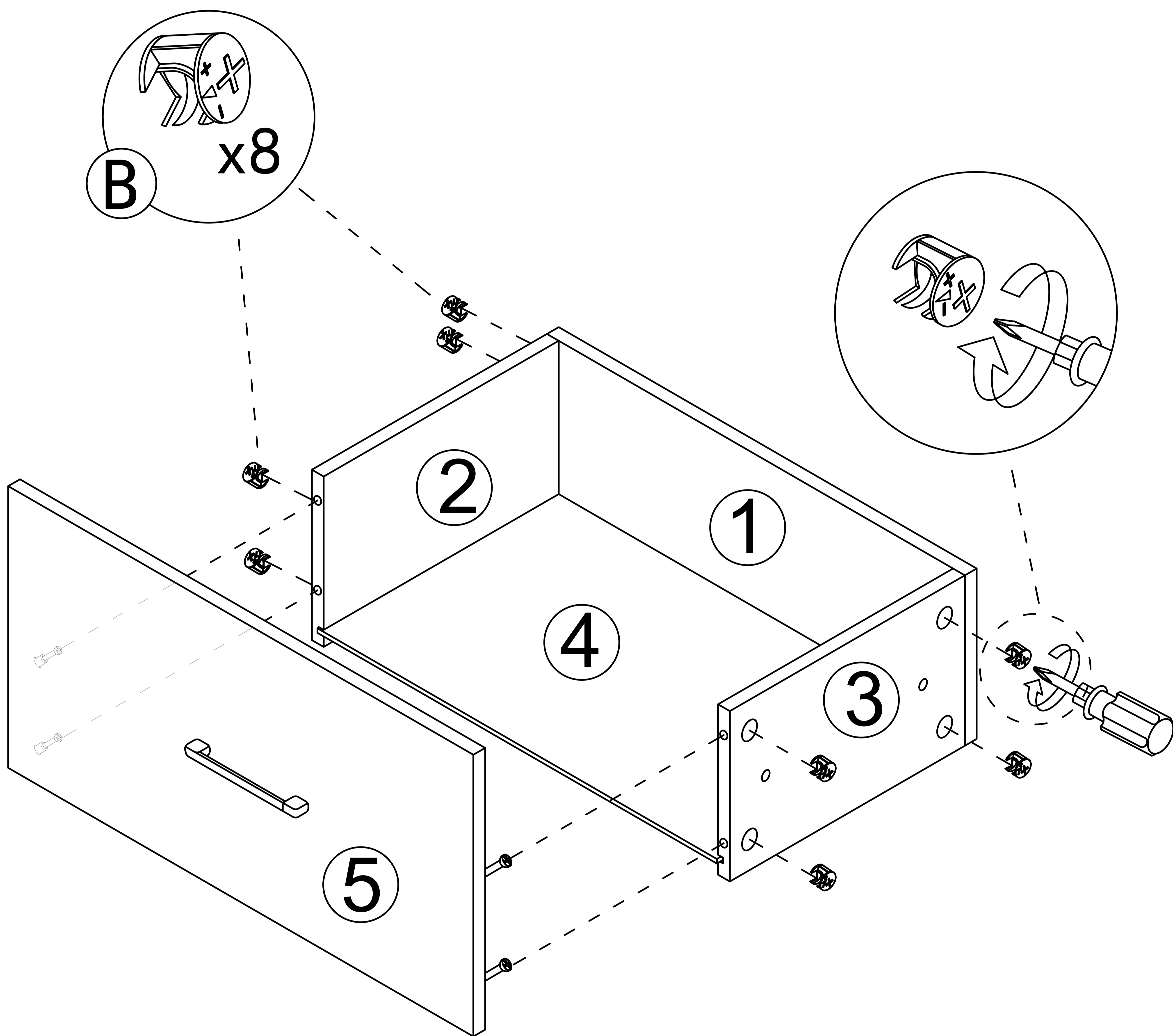
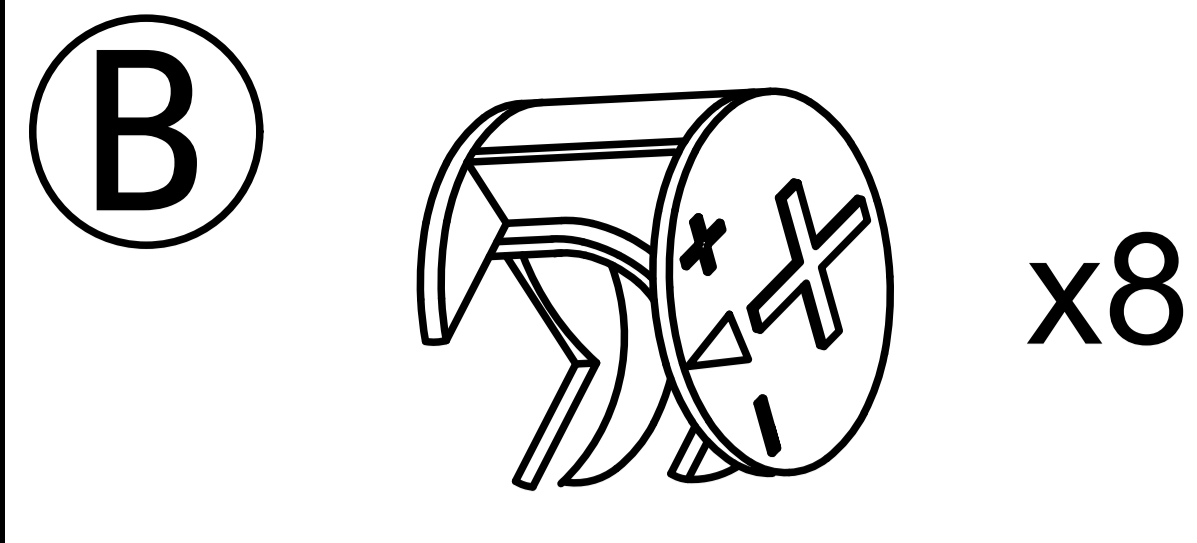
Step 4



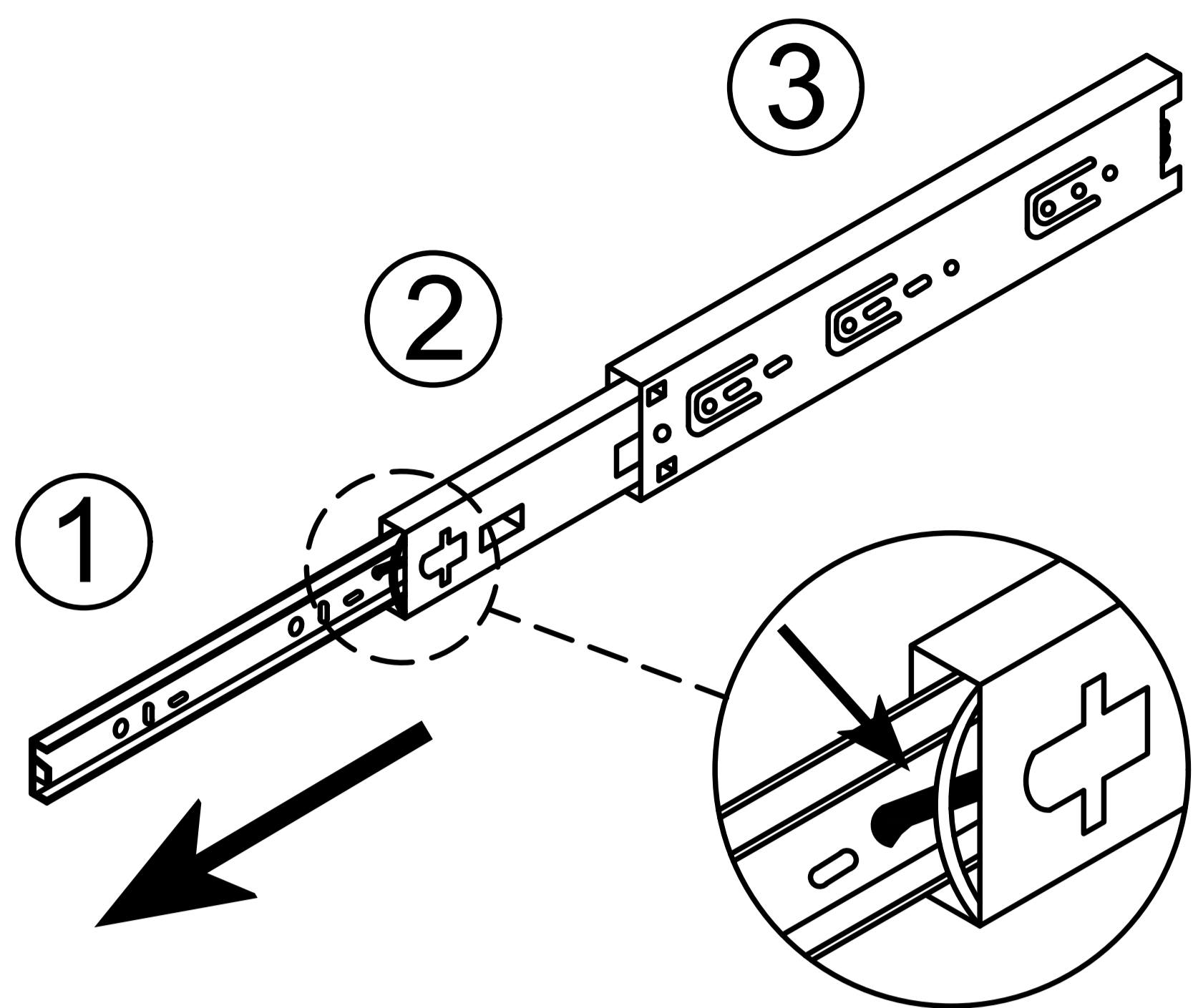
Step 5



Step 6

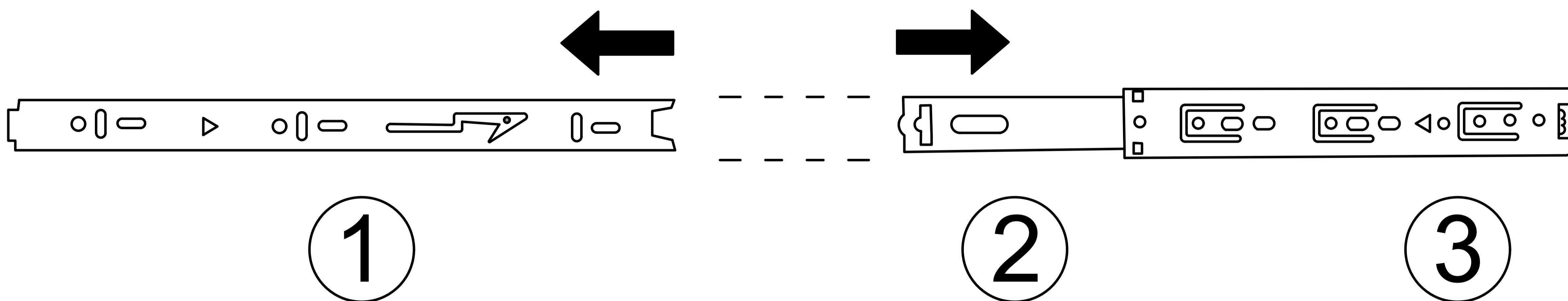
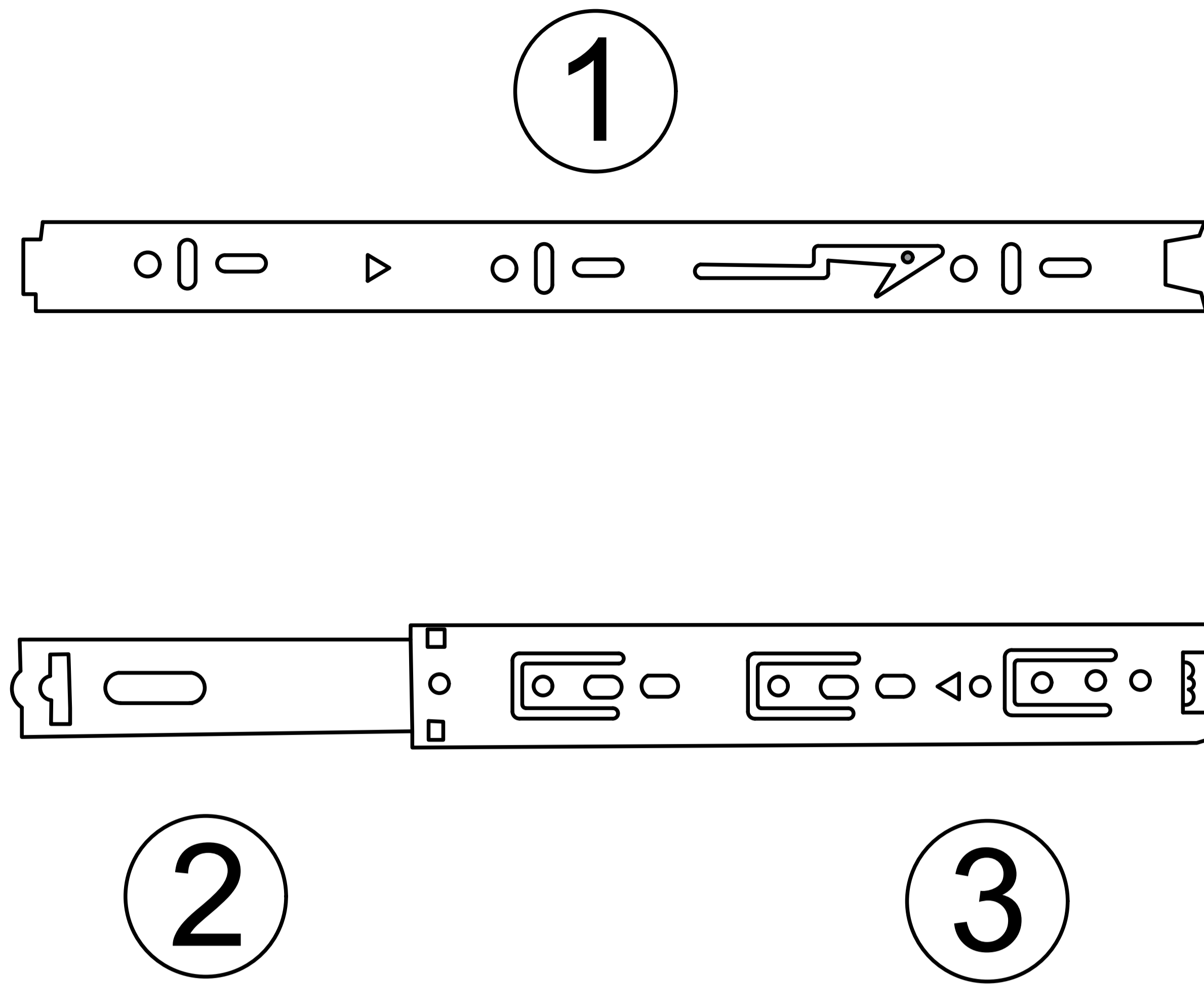


Exploded view of drawer guide rail



Step 1 : Pull the guide rail apart

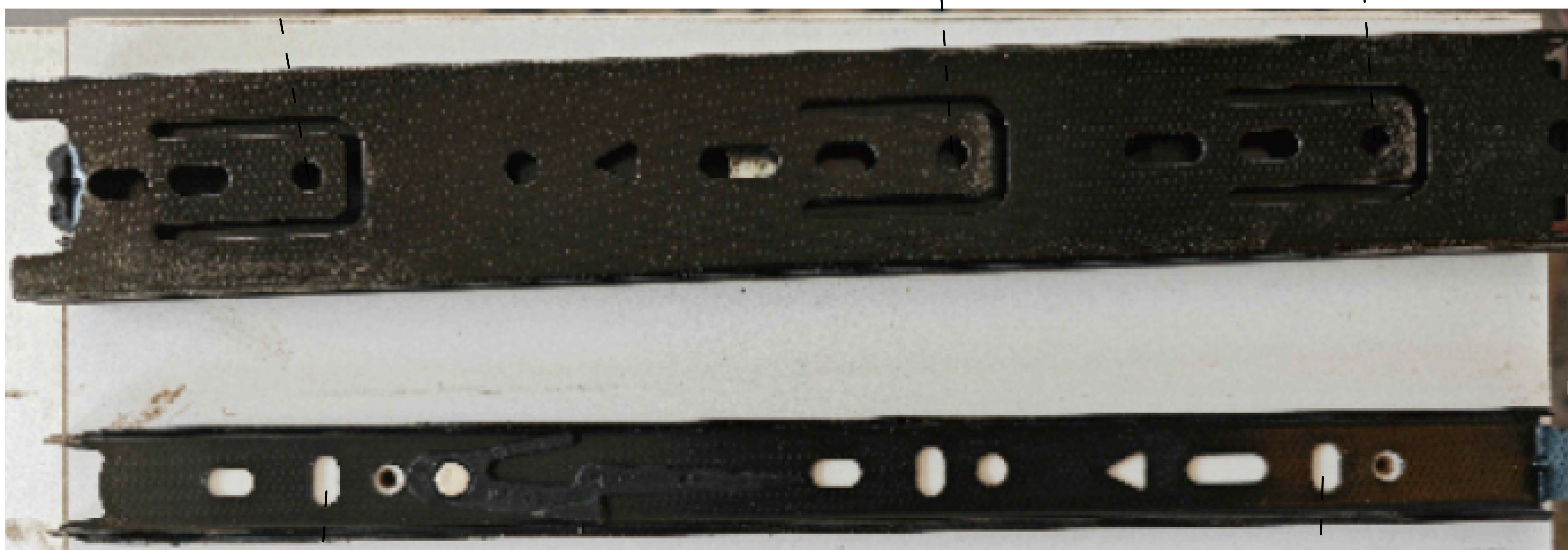
Step 2 : Push the nylon buckle and pull outward ①



Lead hole screw position

Reinforcement screw position

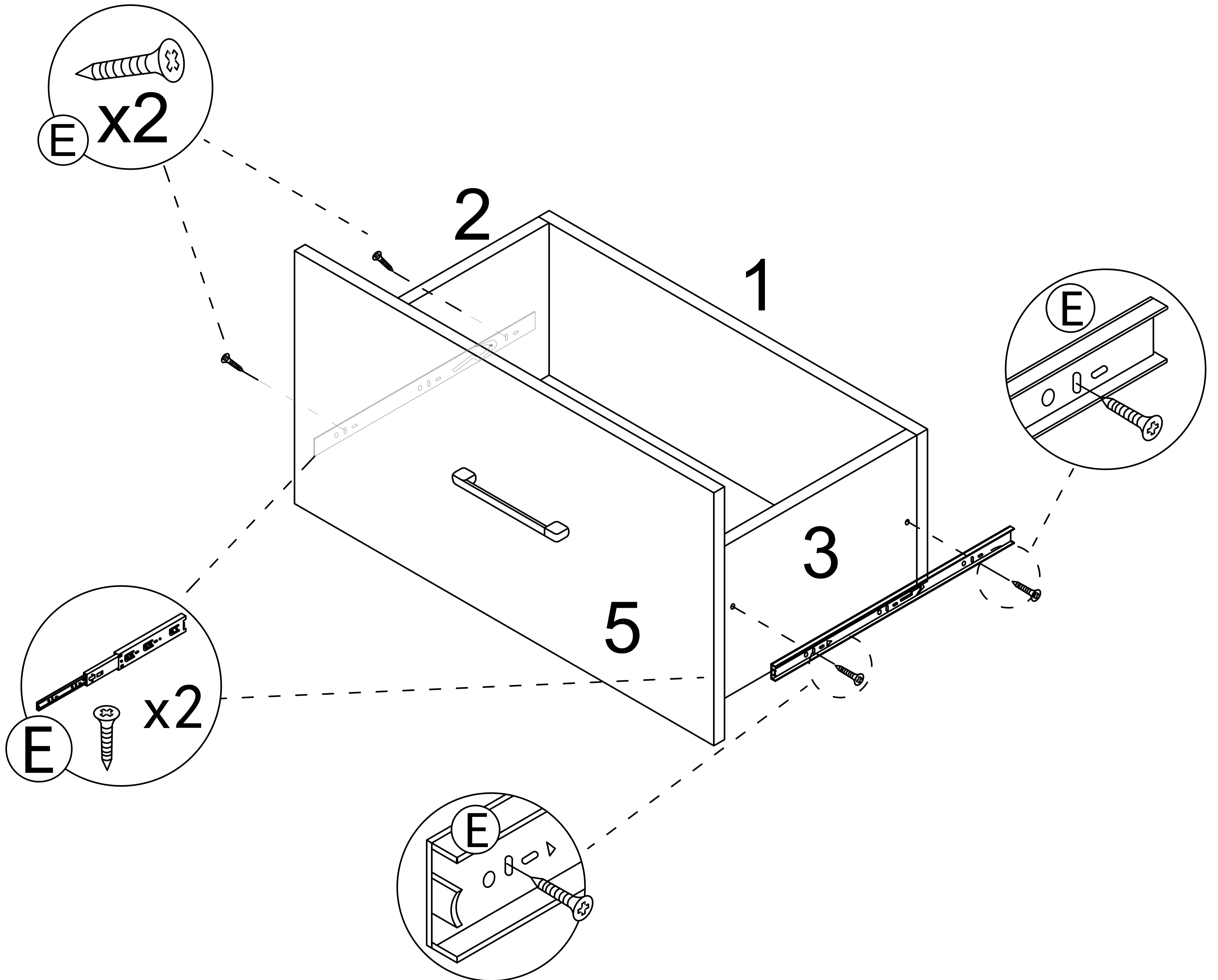
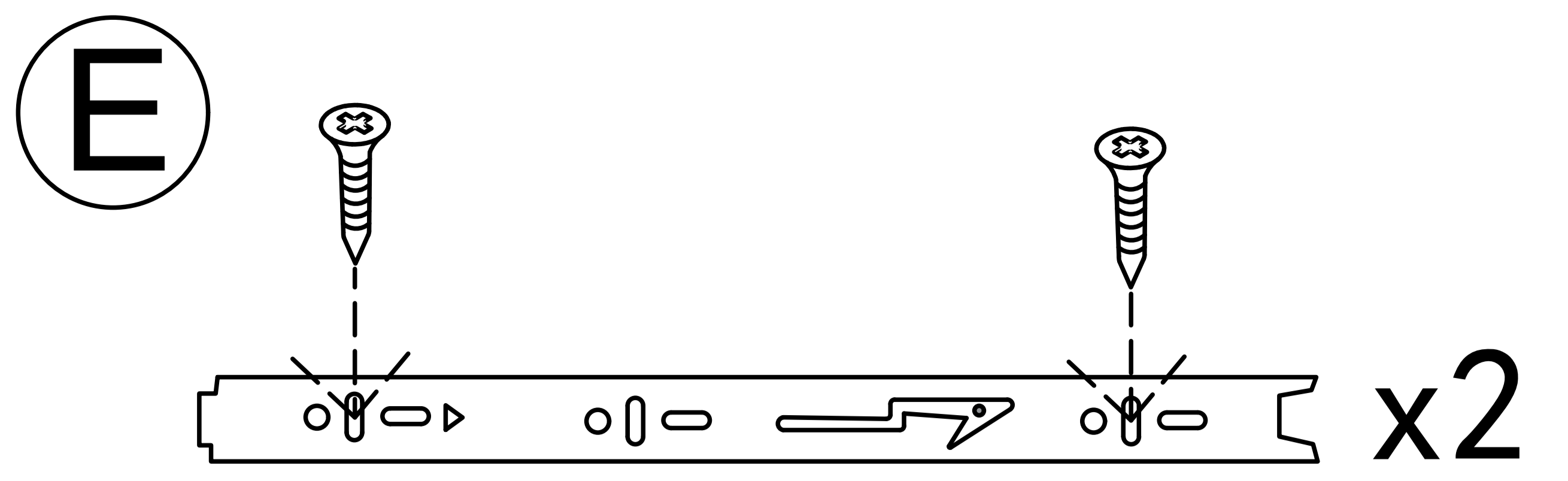
Lead hole screw position



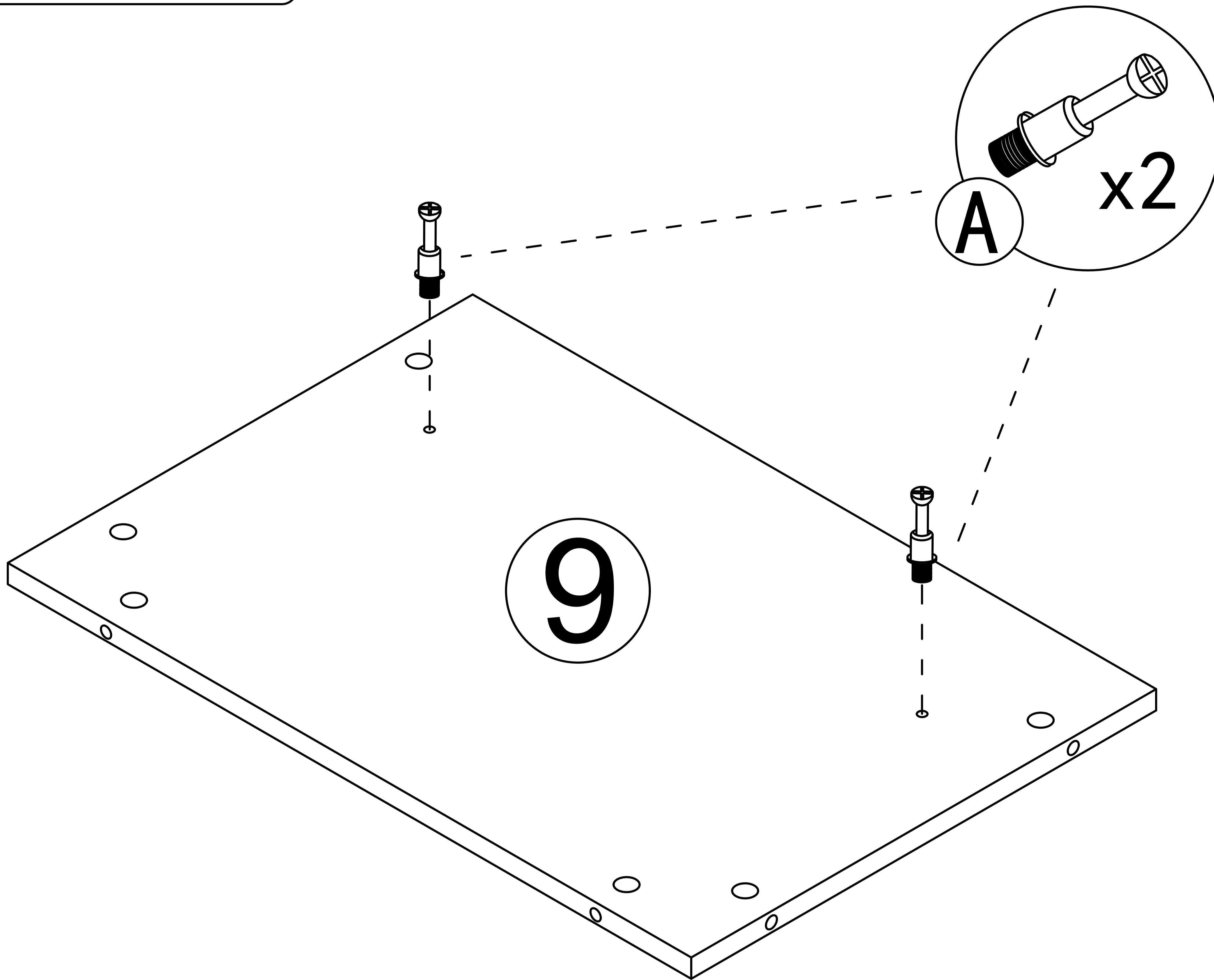
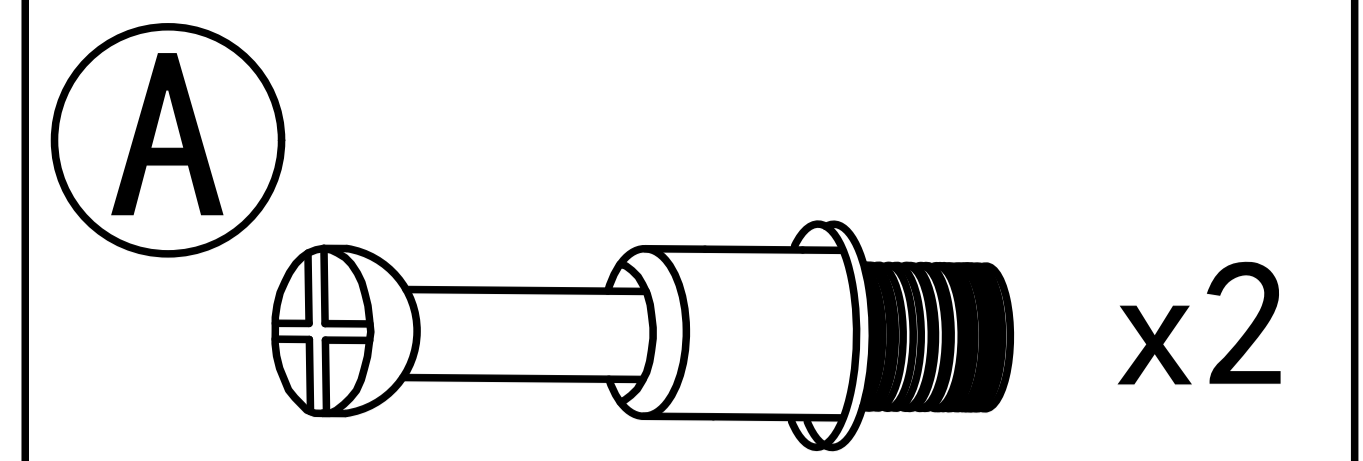
Lead hole screw position

Lead hole screw position

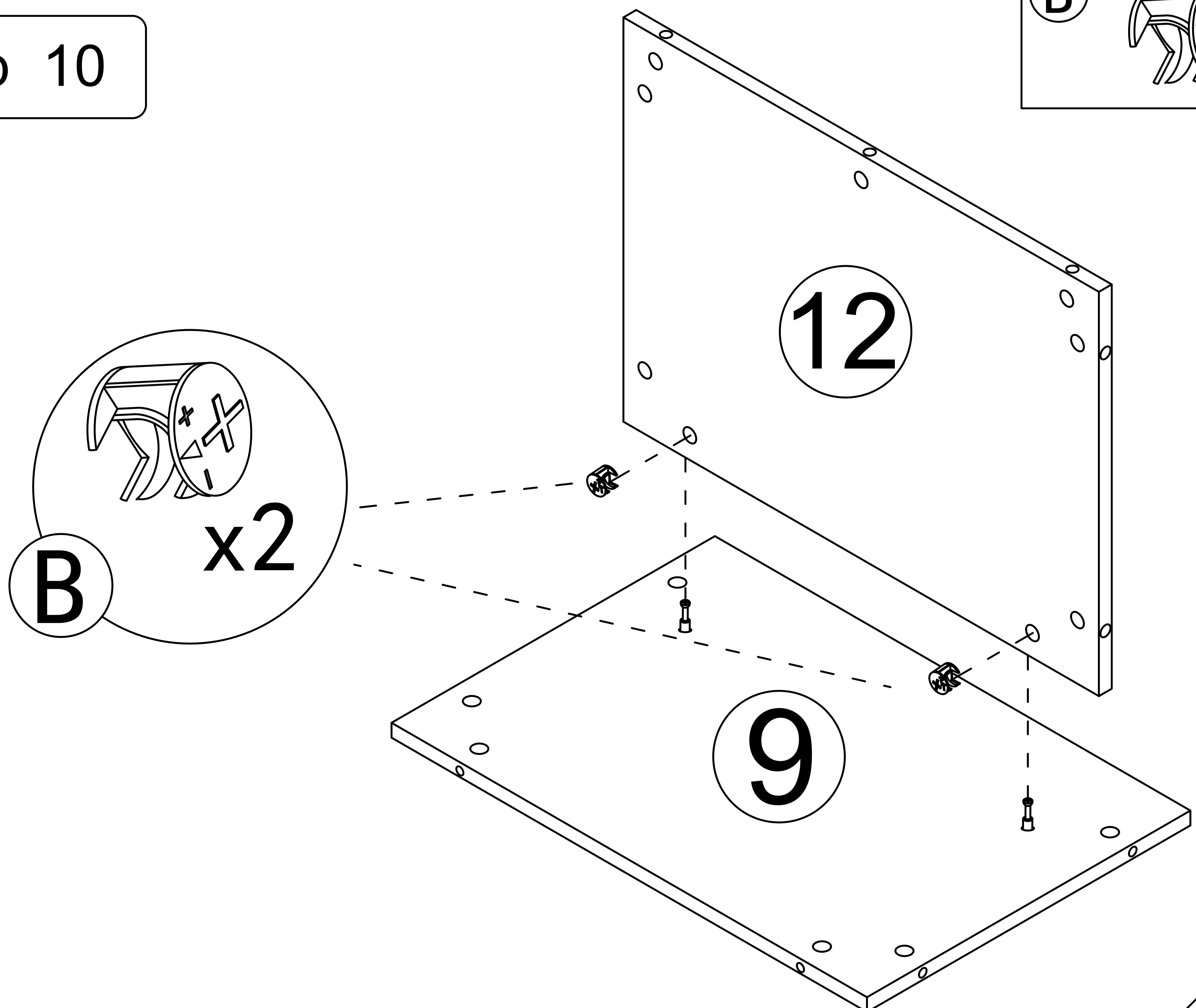
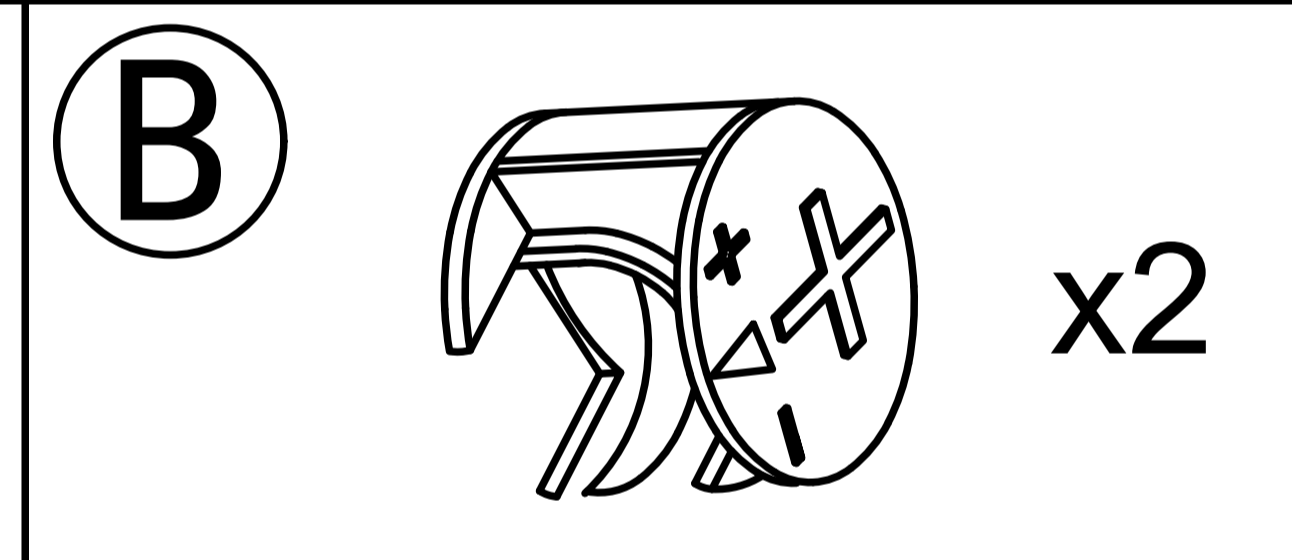
Step 8



Step 9

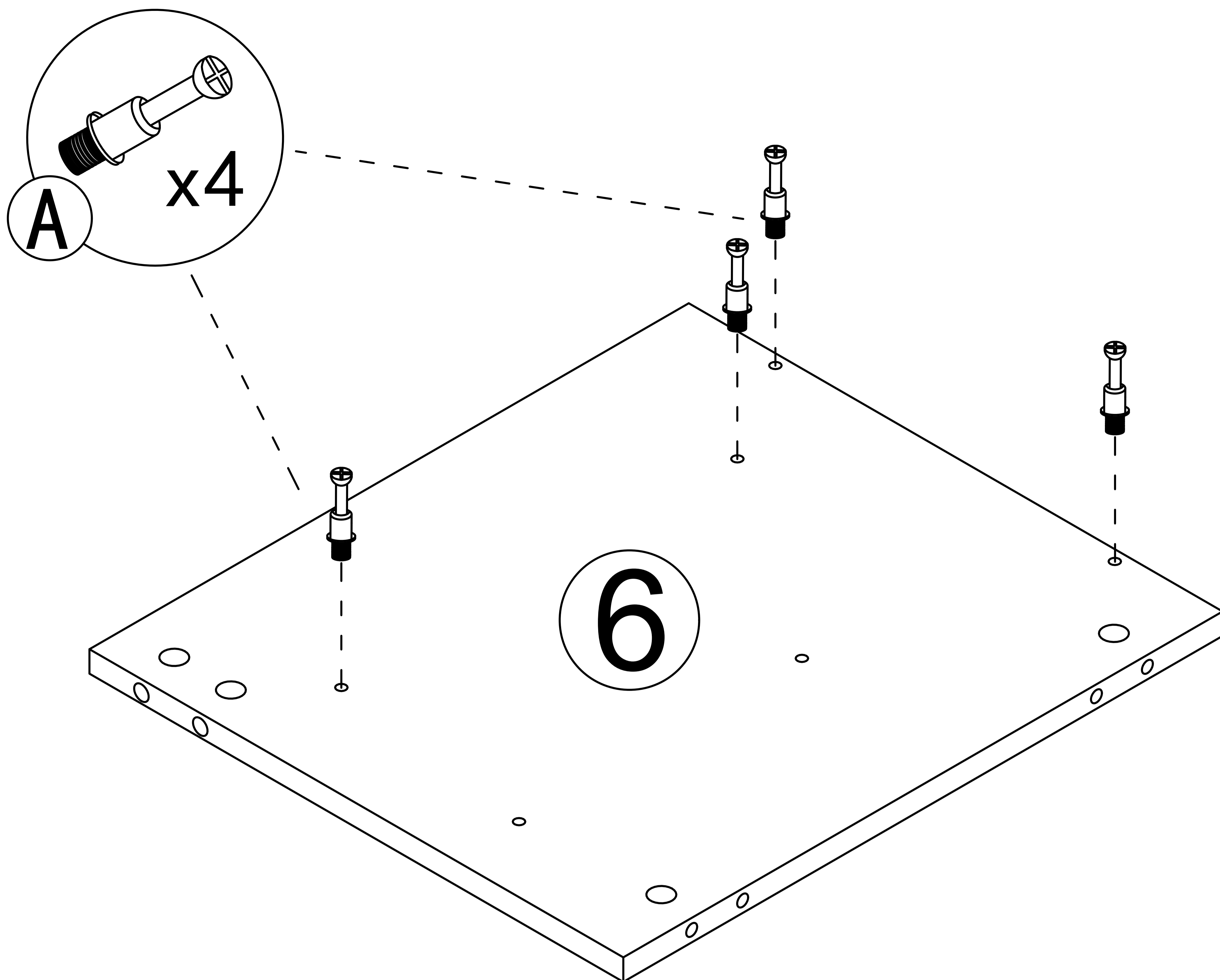
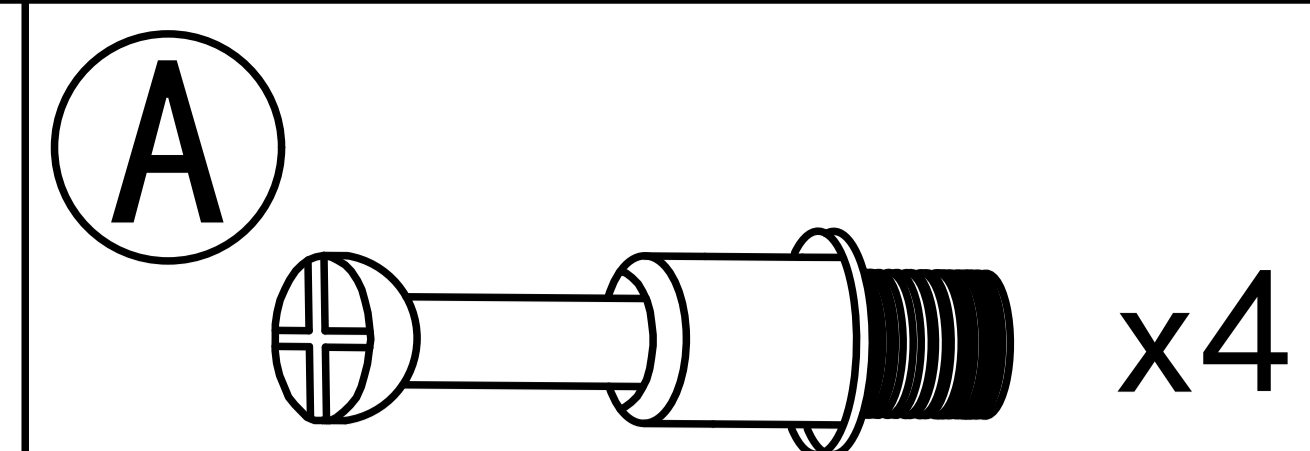


Step 10

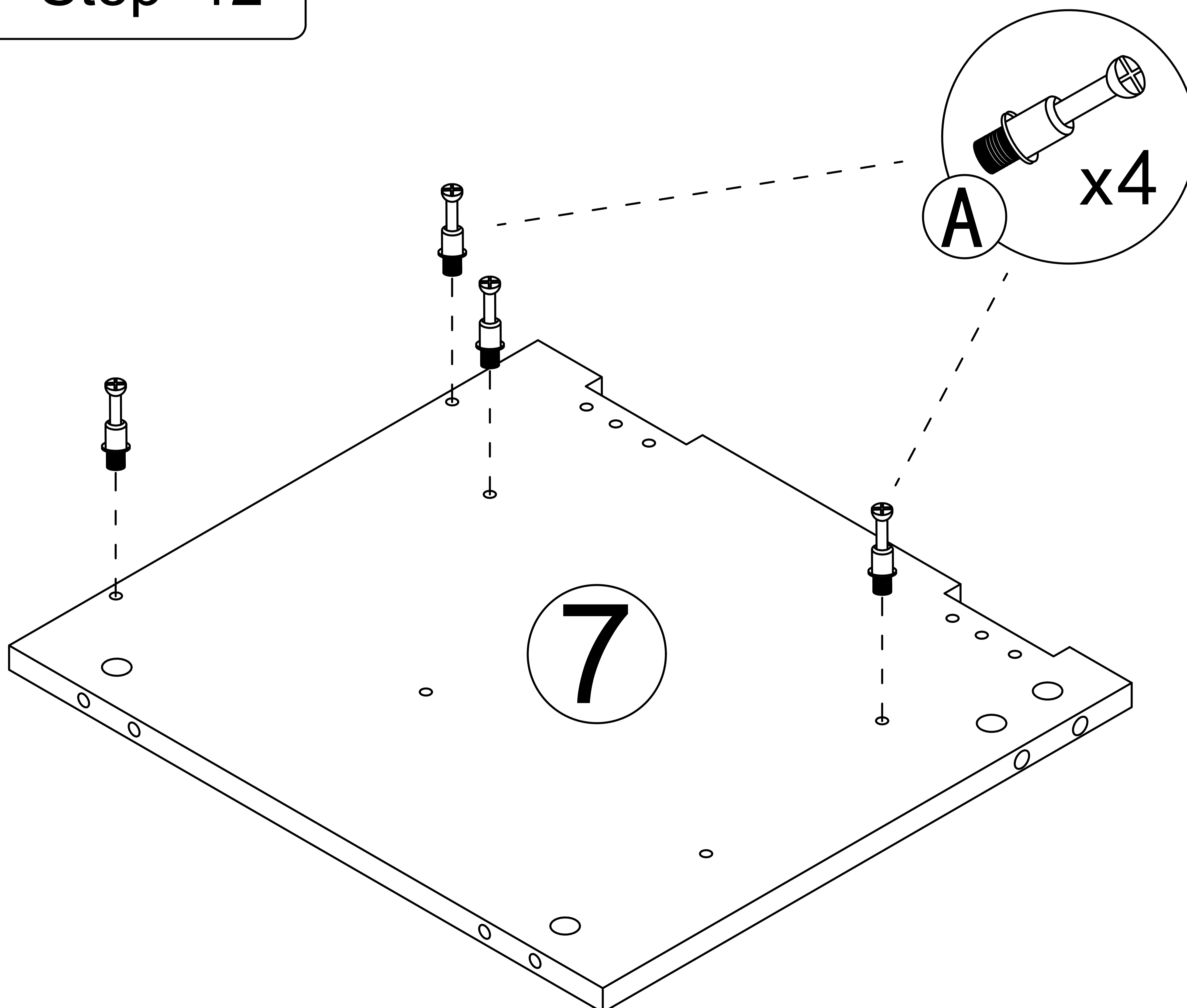
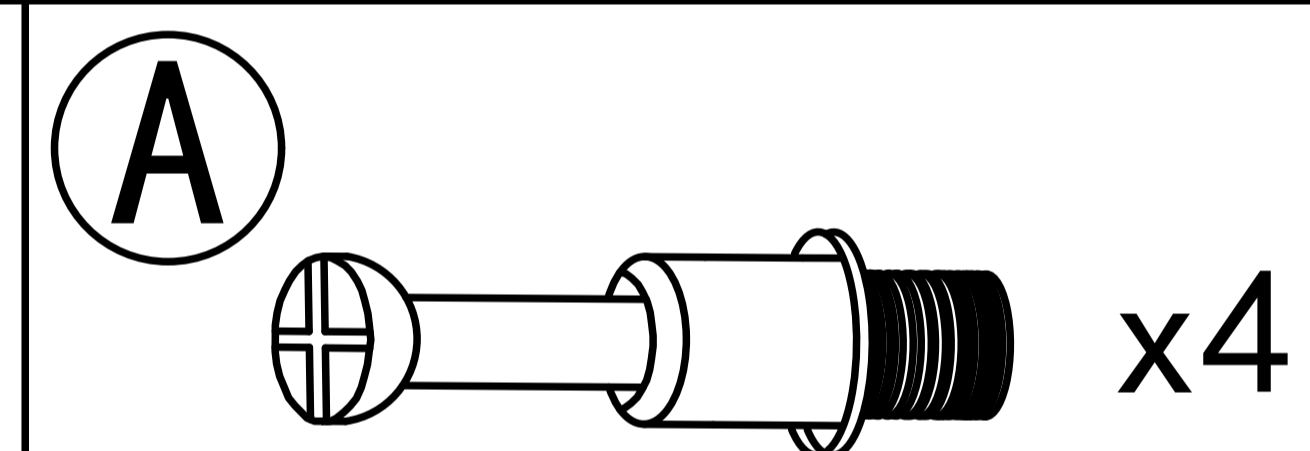


11

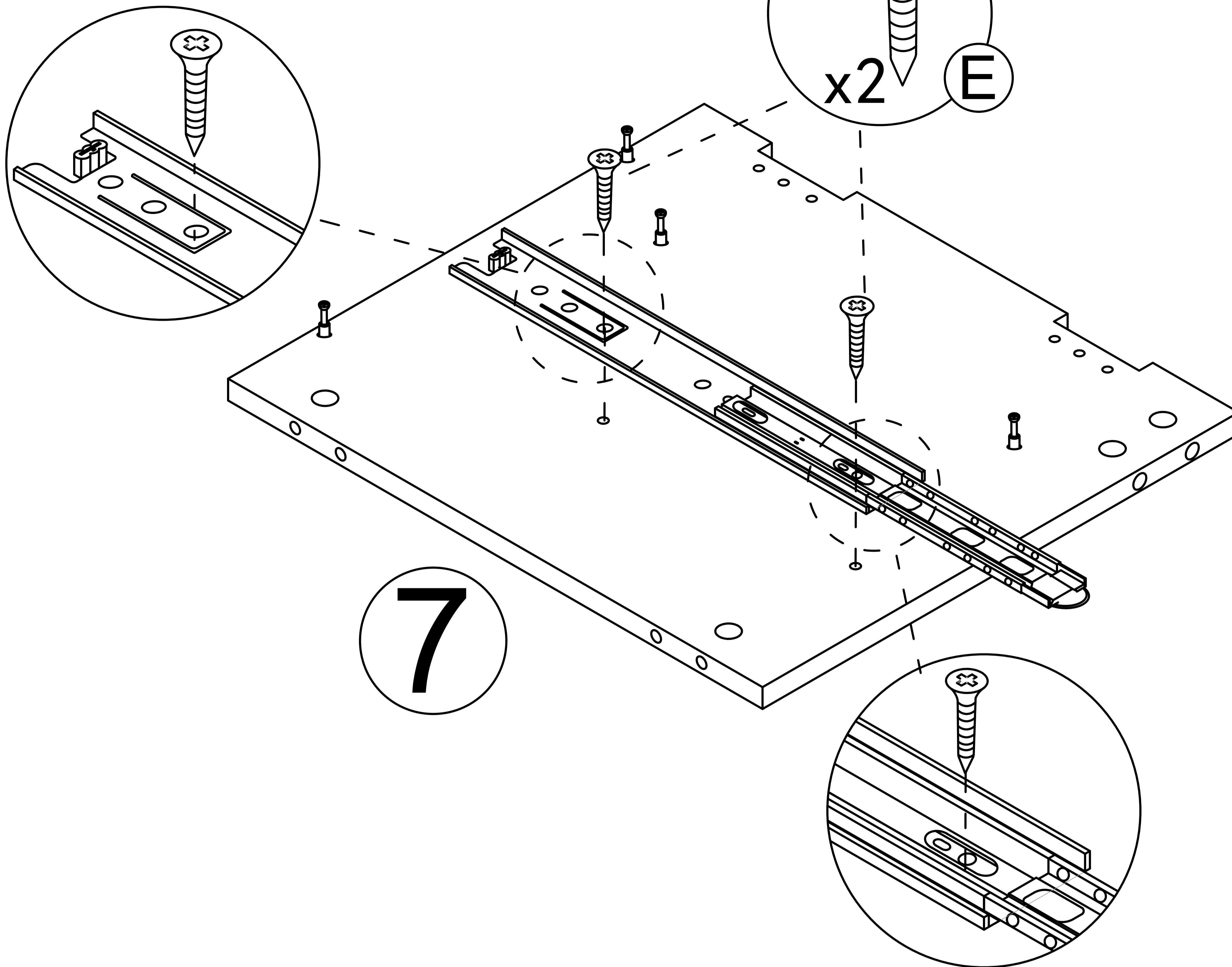
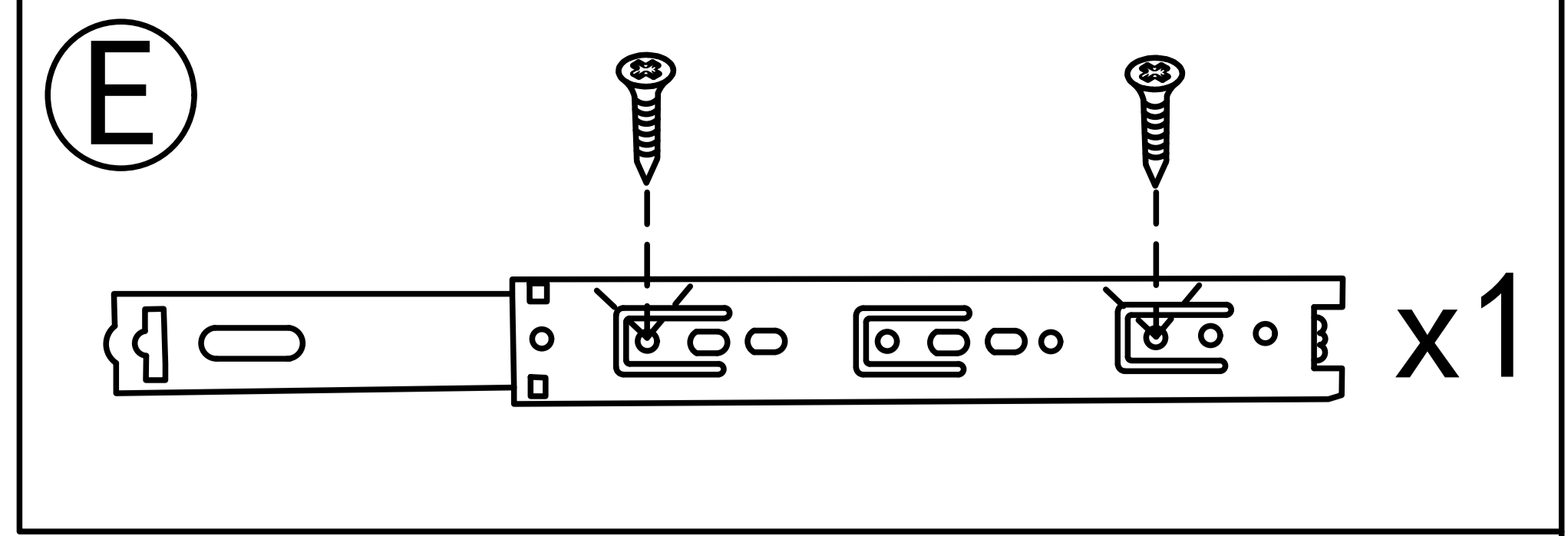
Step 11



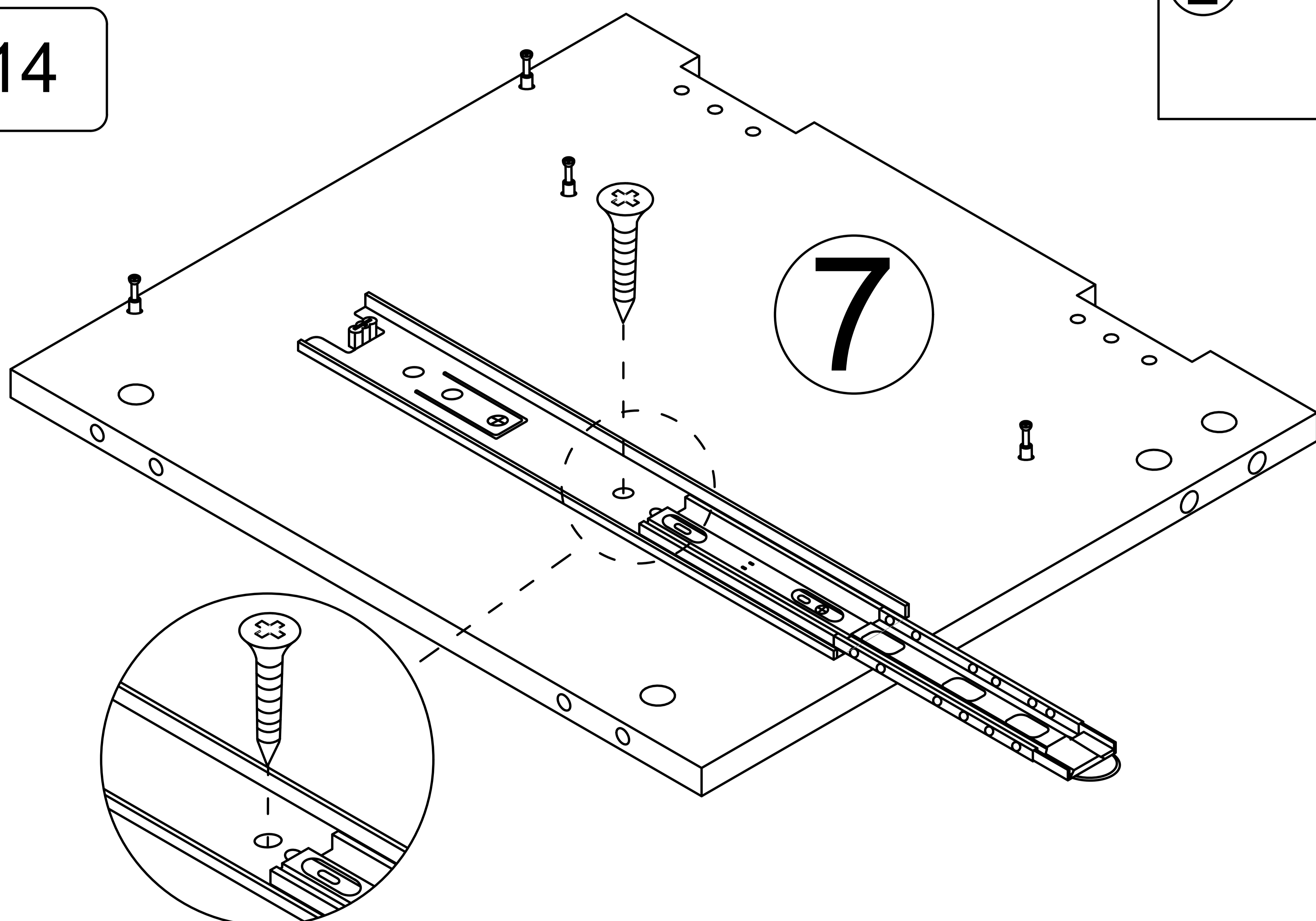
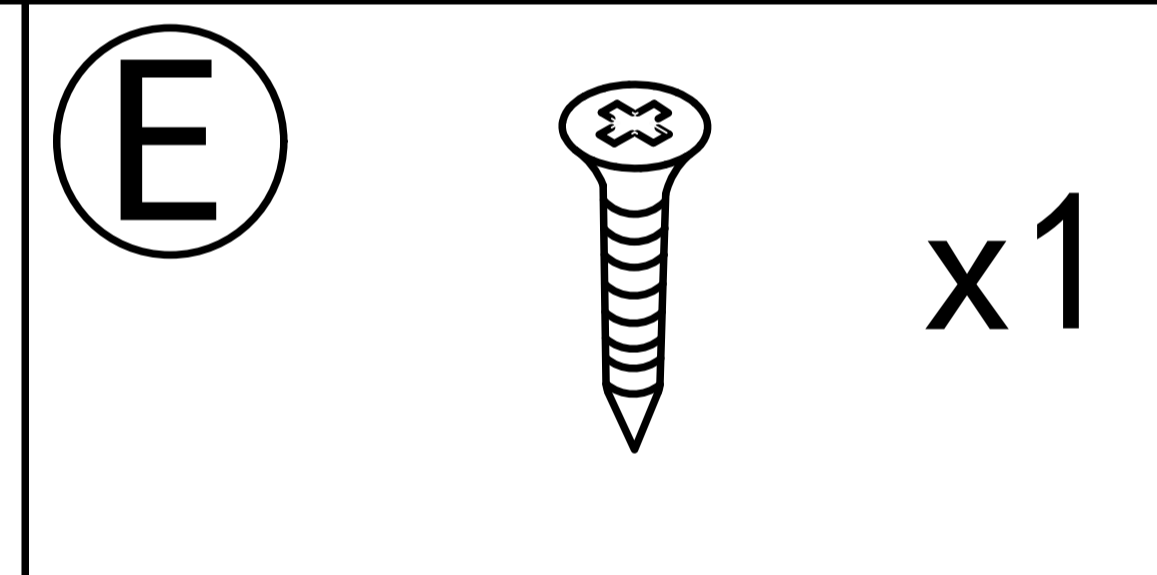
Step 12



Step 13

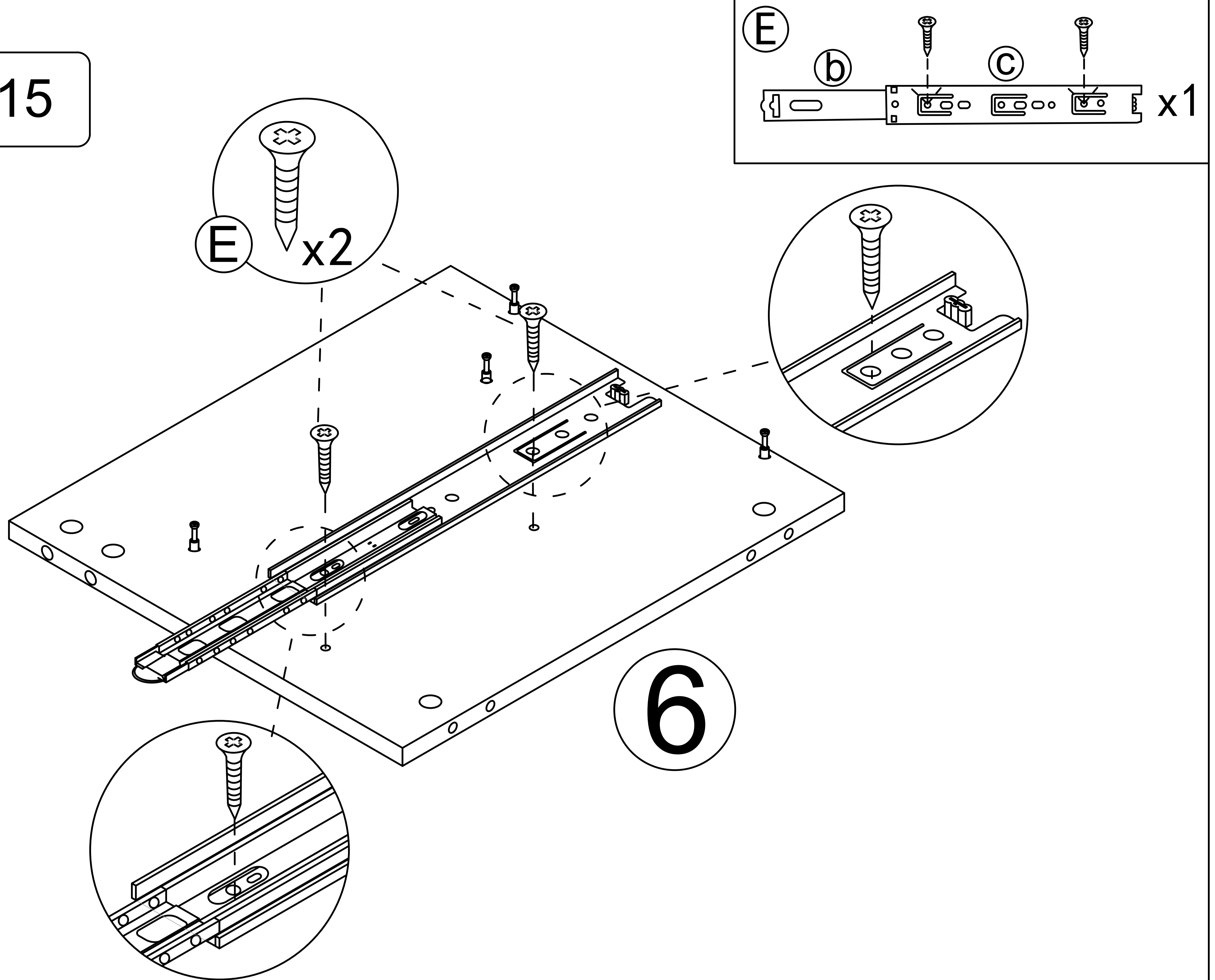


Step 14

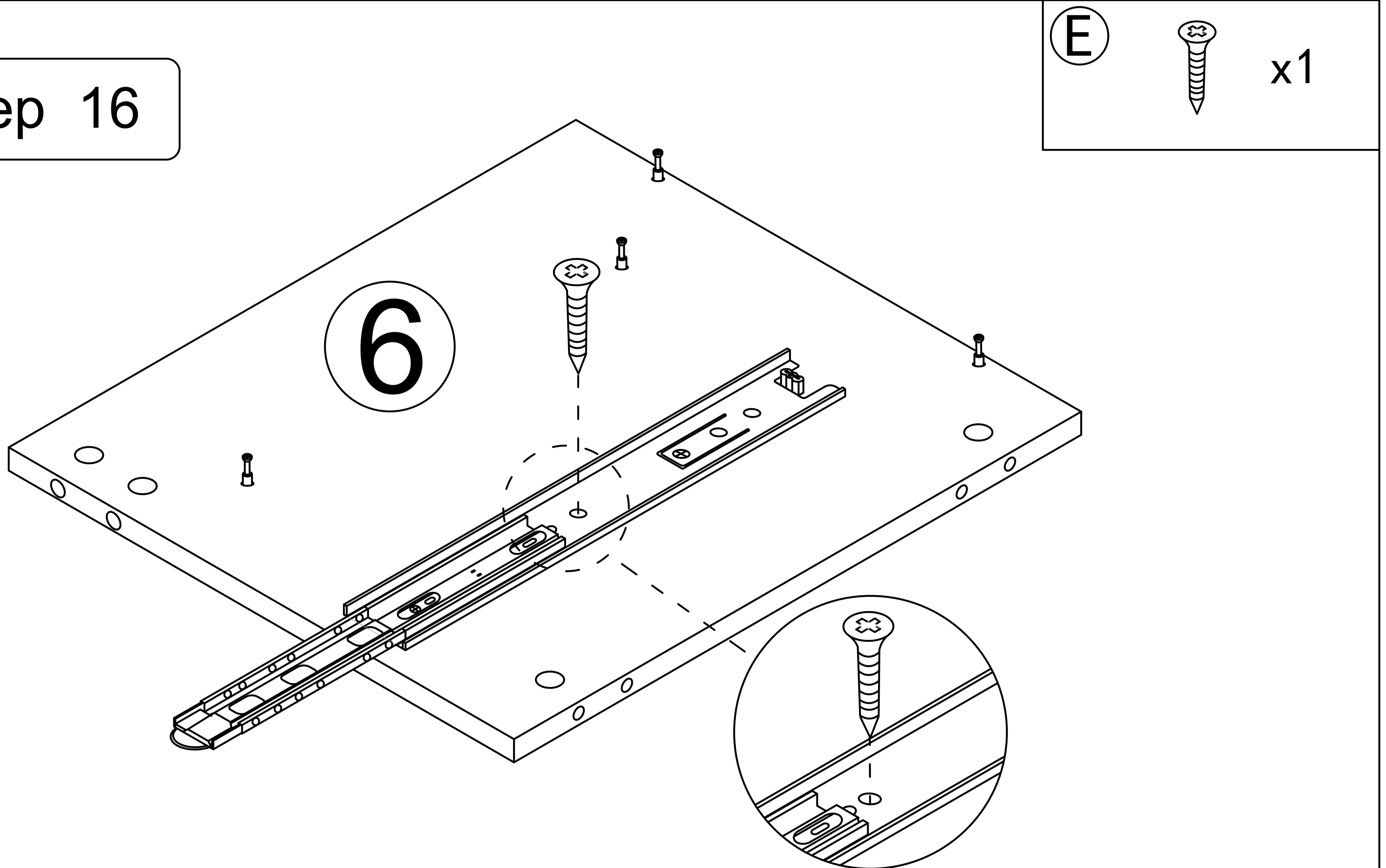


This hole is for strengthening fixed hole customers can choose to install according to their needs.

Step 15

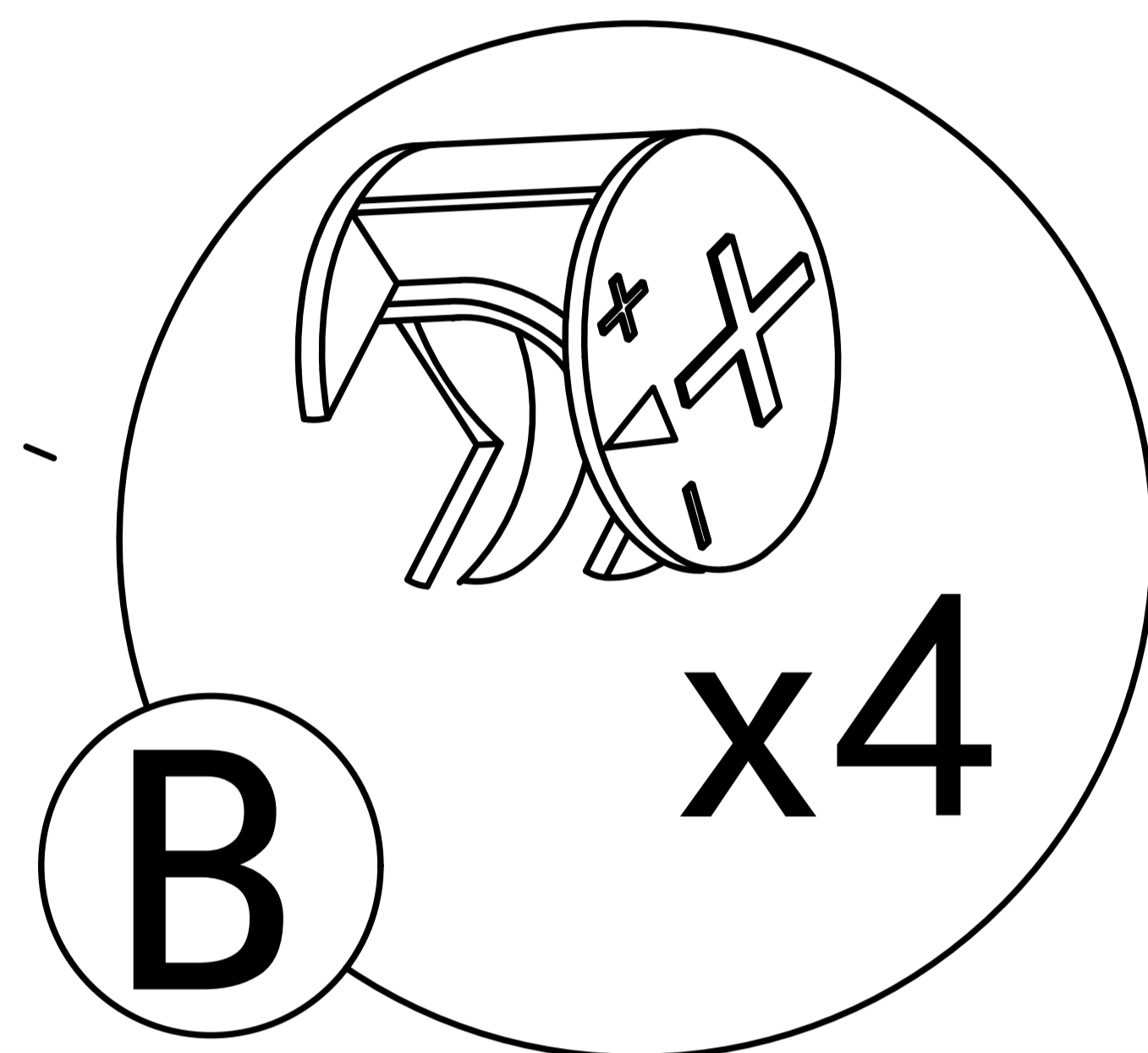
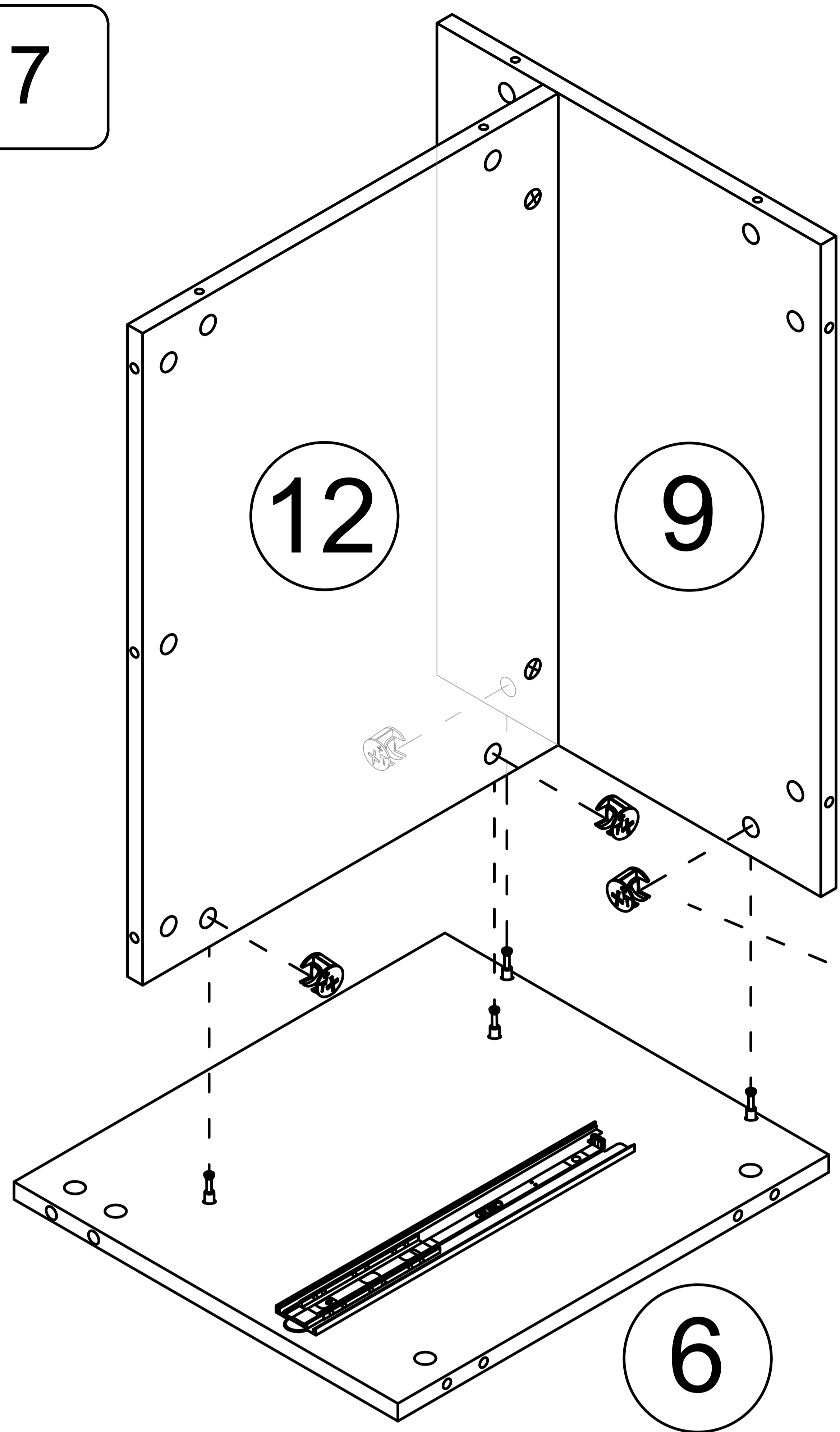
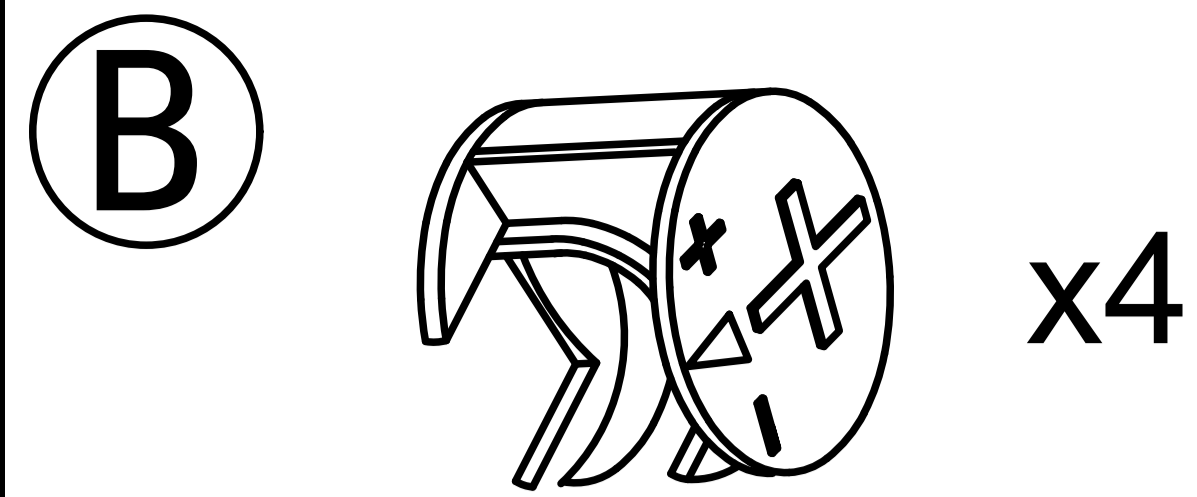


Step 16

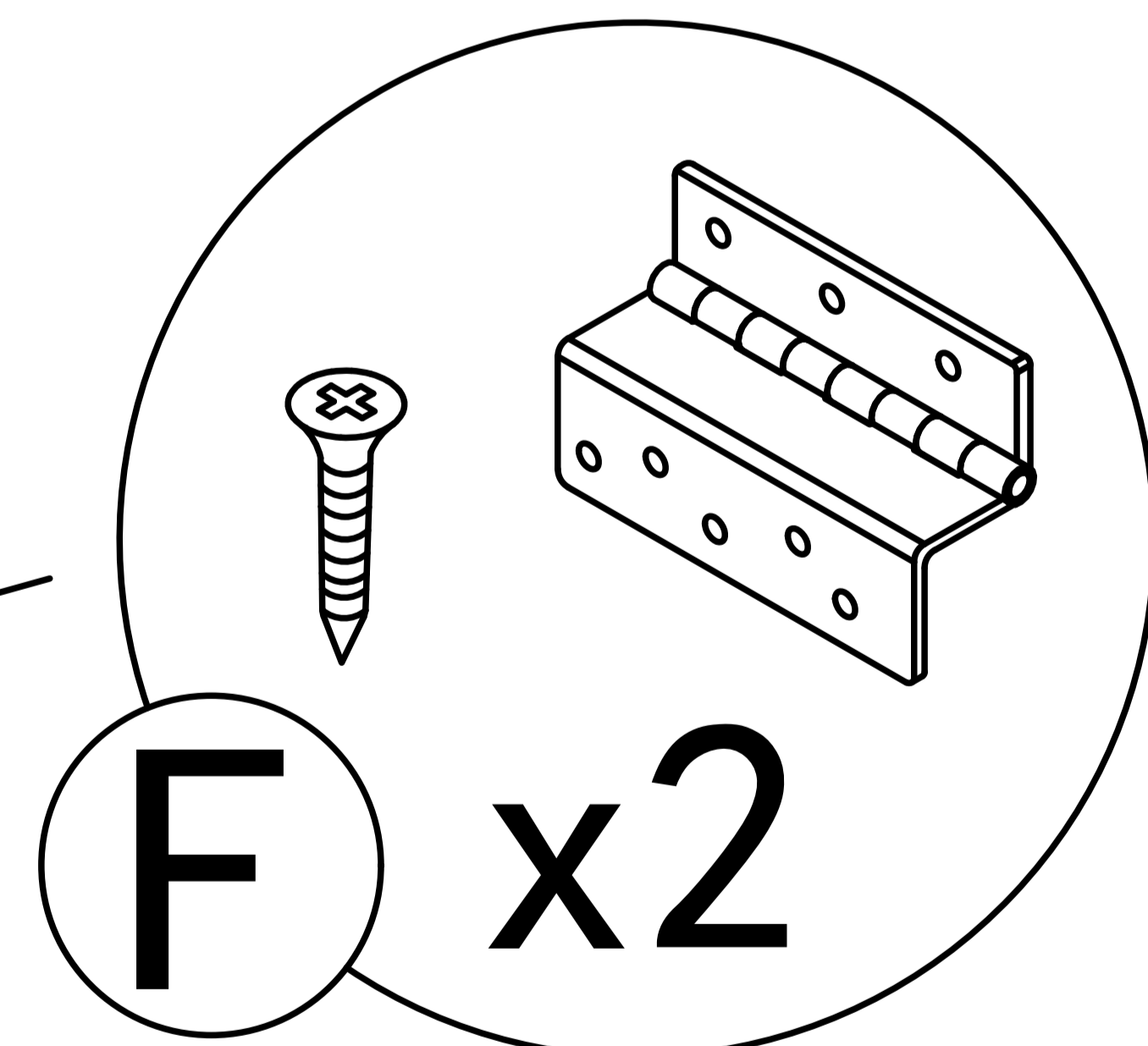
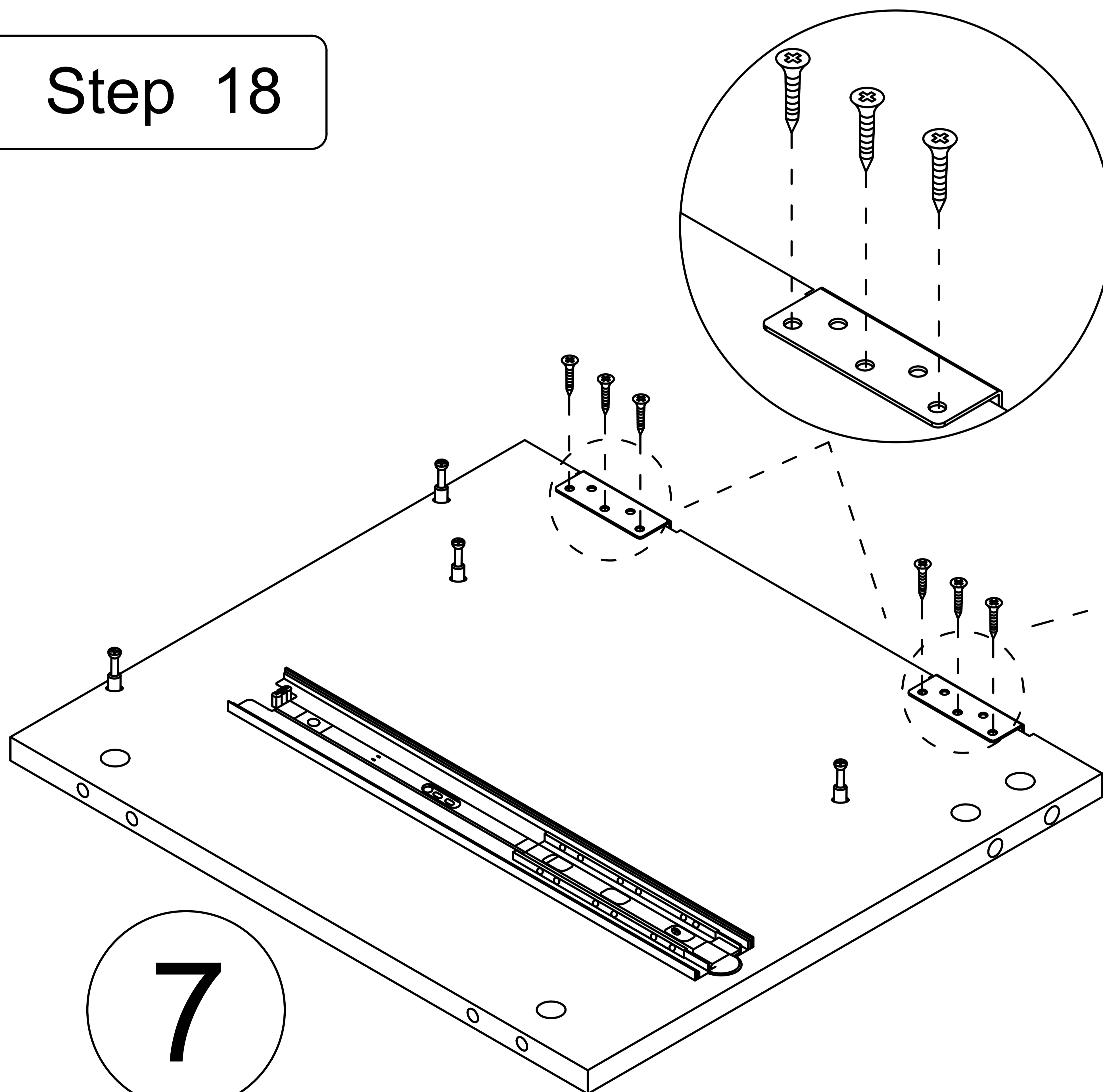
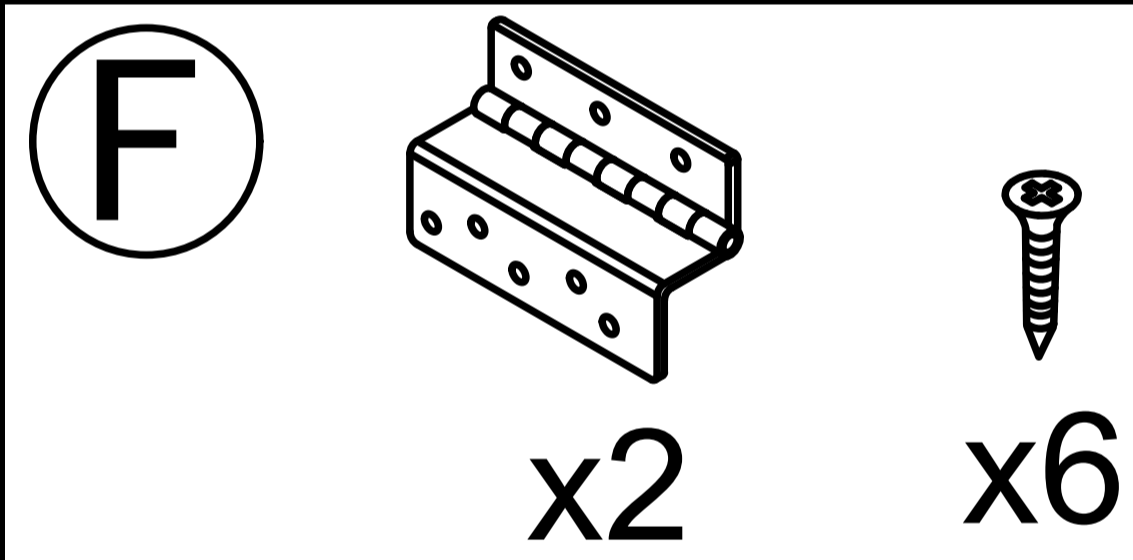


This hole is for strengthening fixed hole customers can choose to install according to their needs.

Step 17

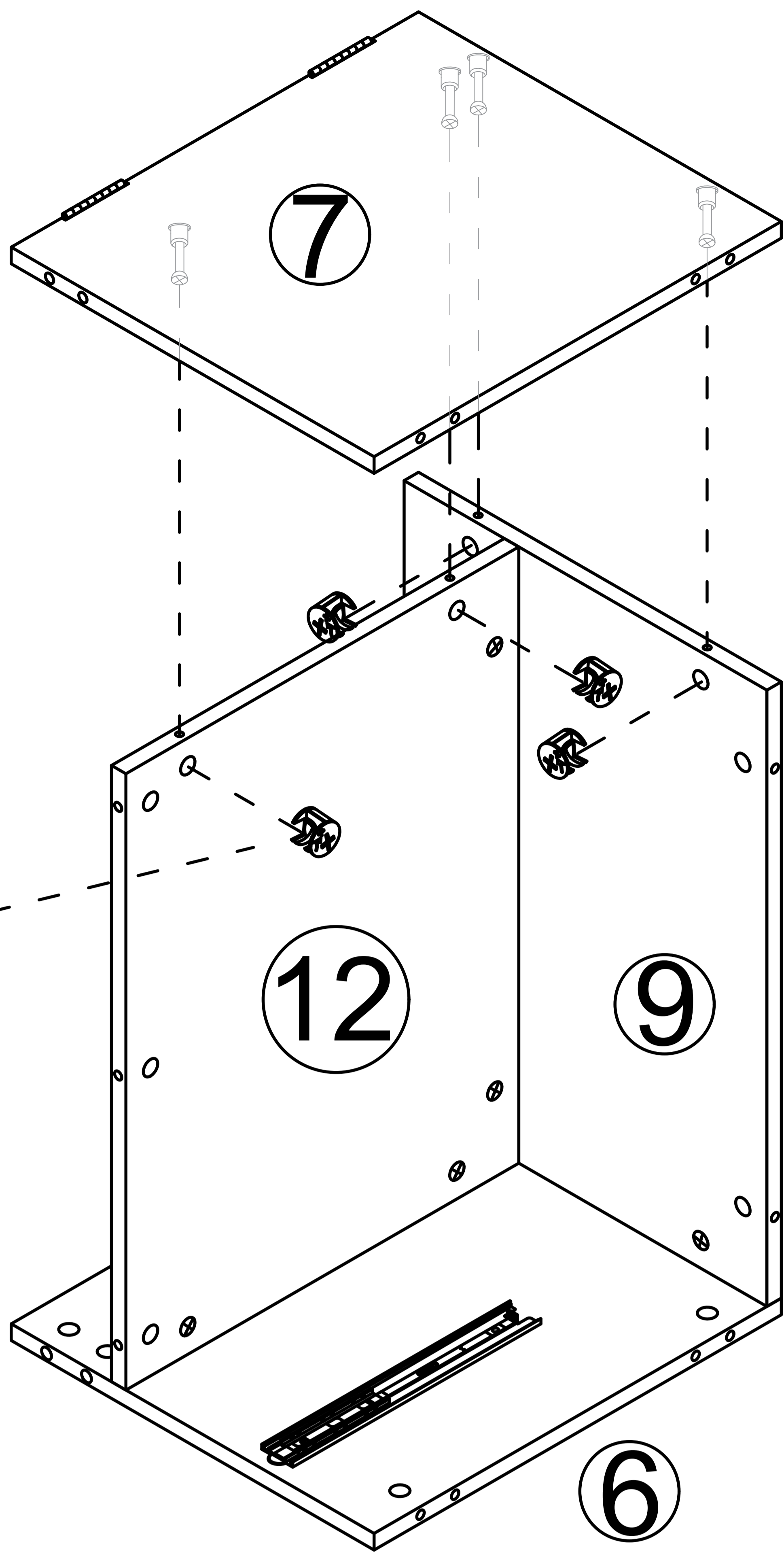
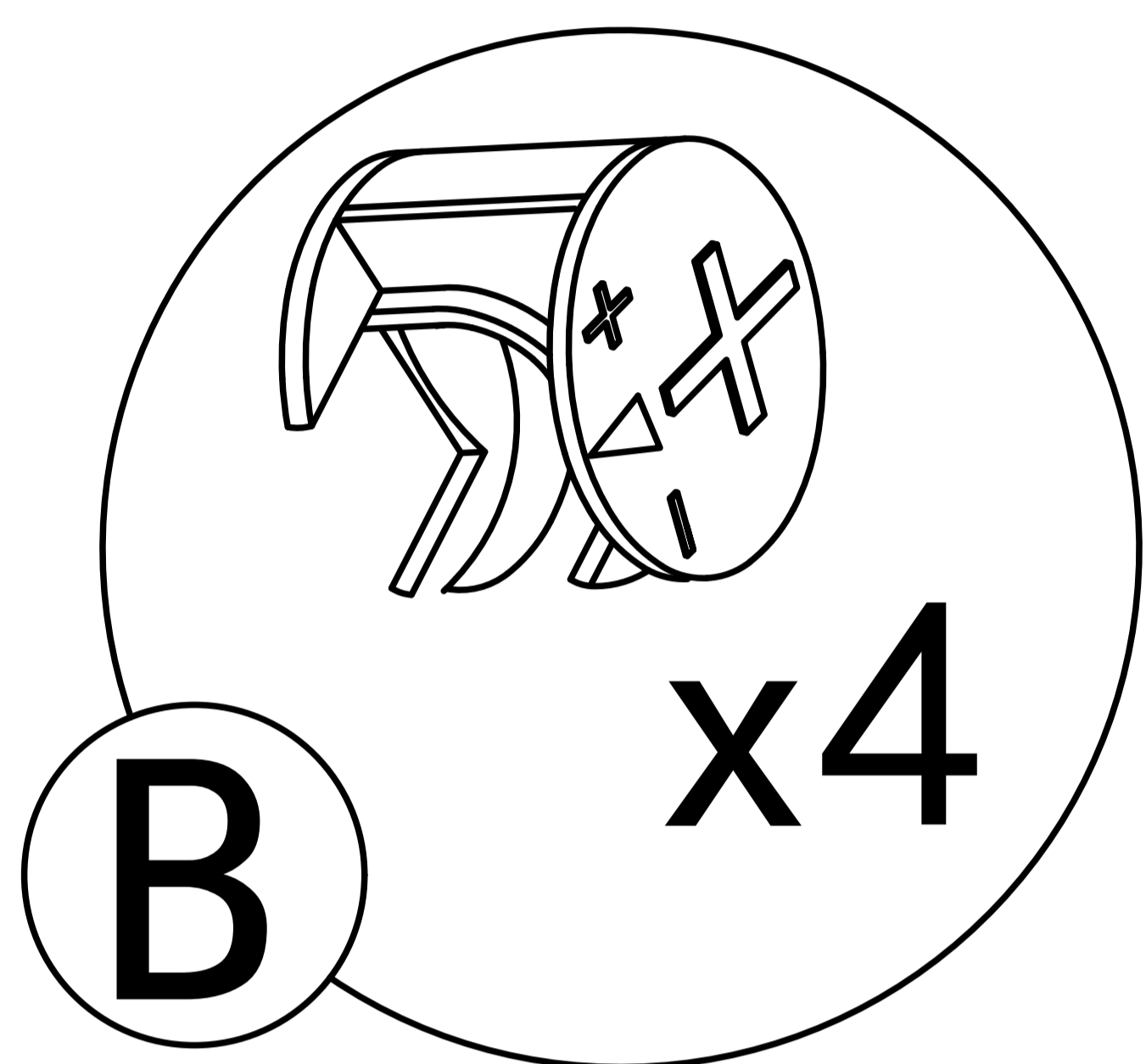
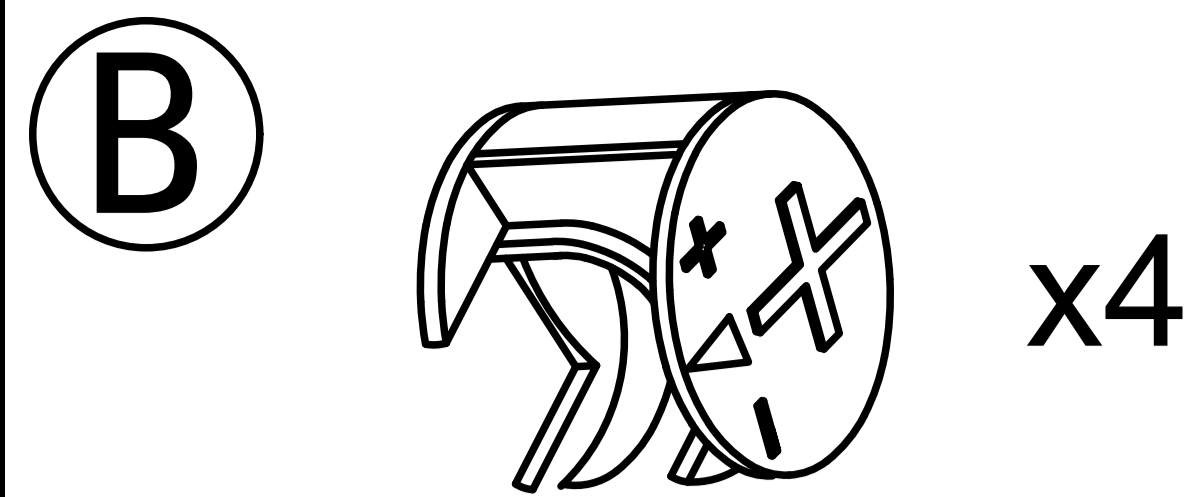


Step 18

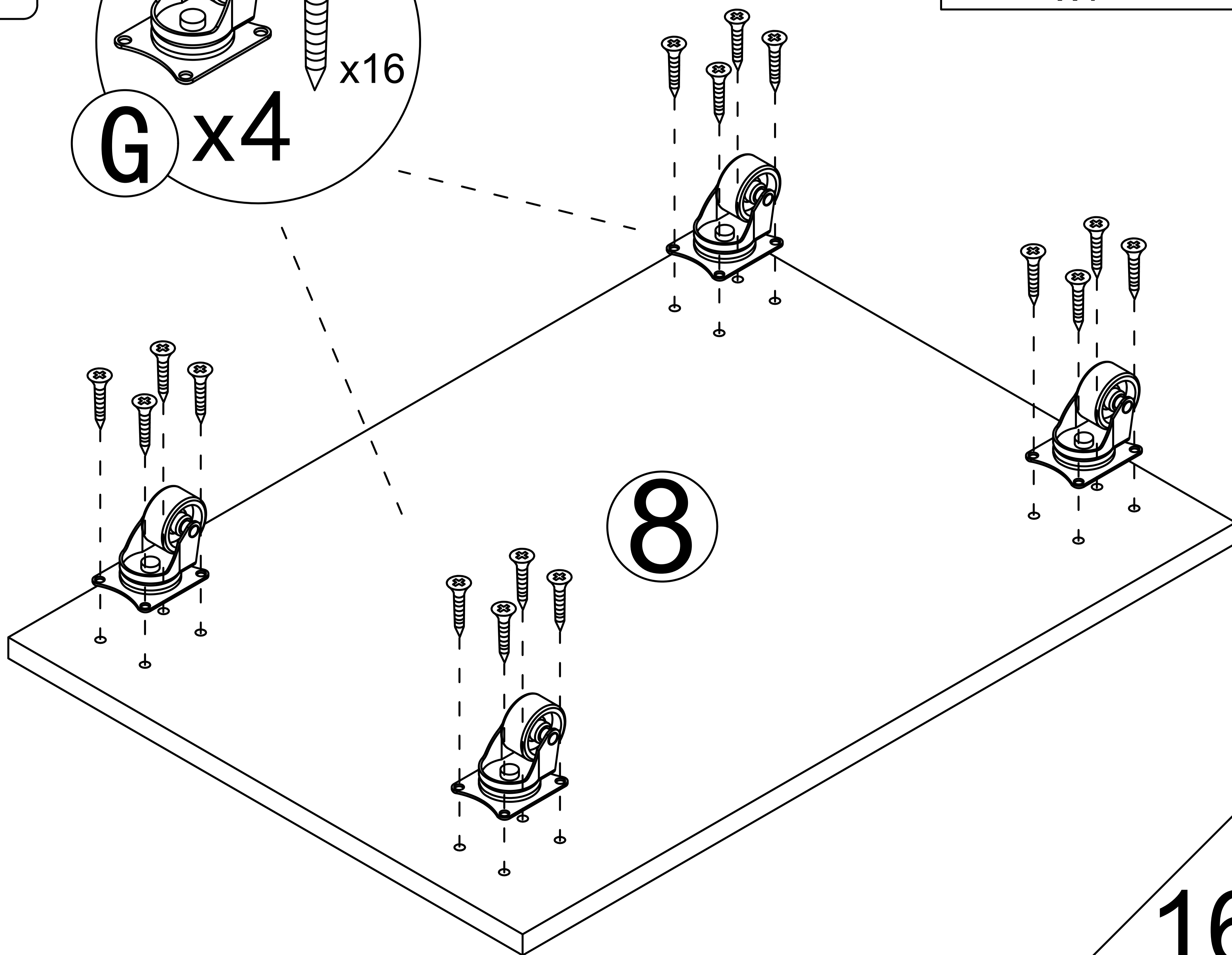
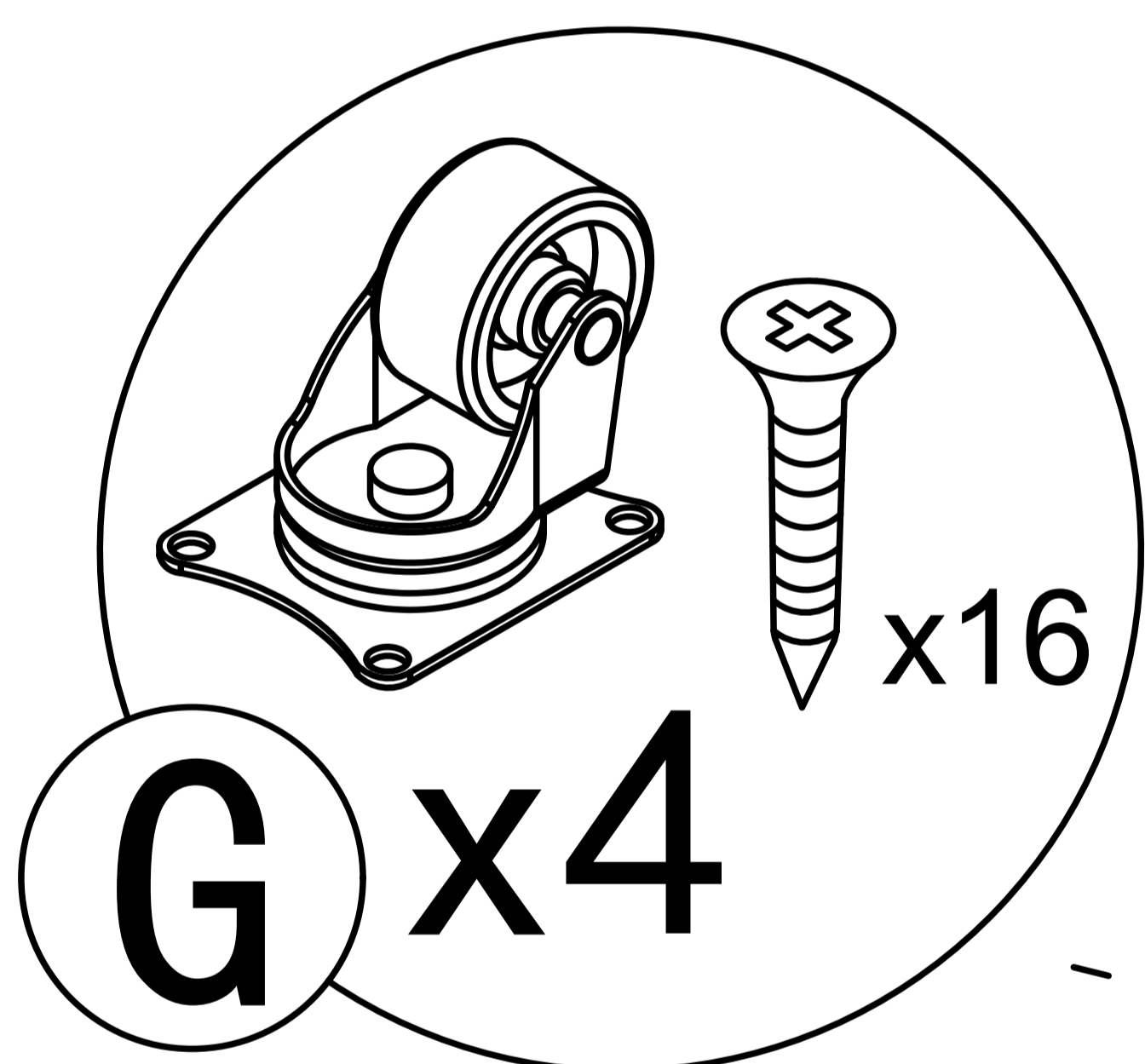
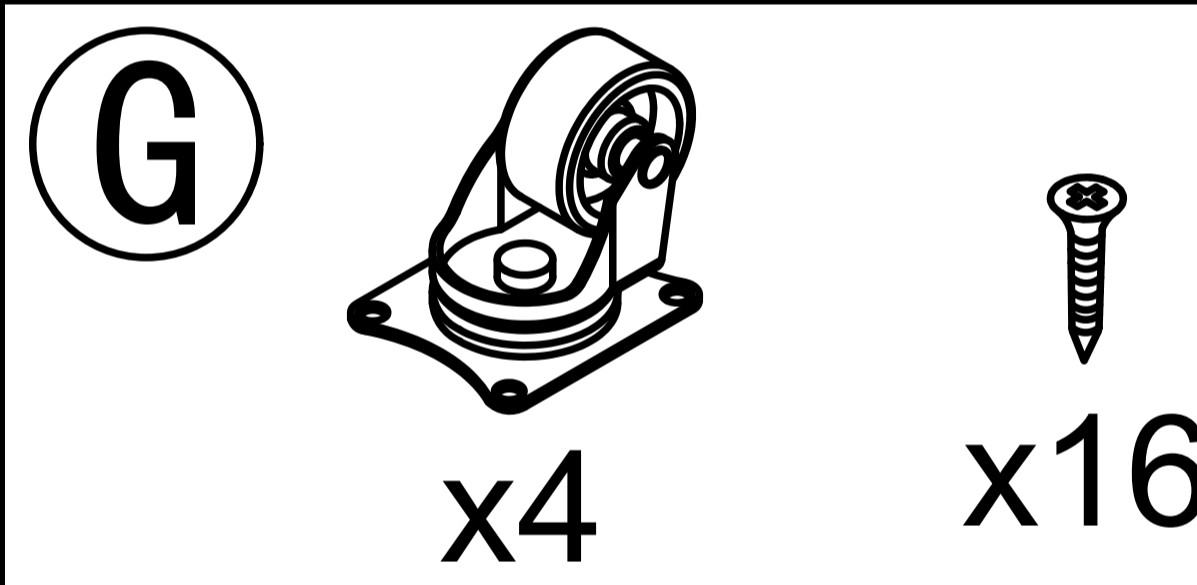


7

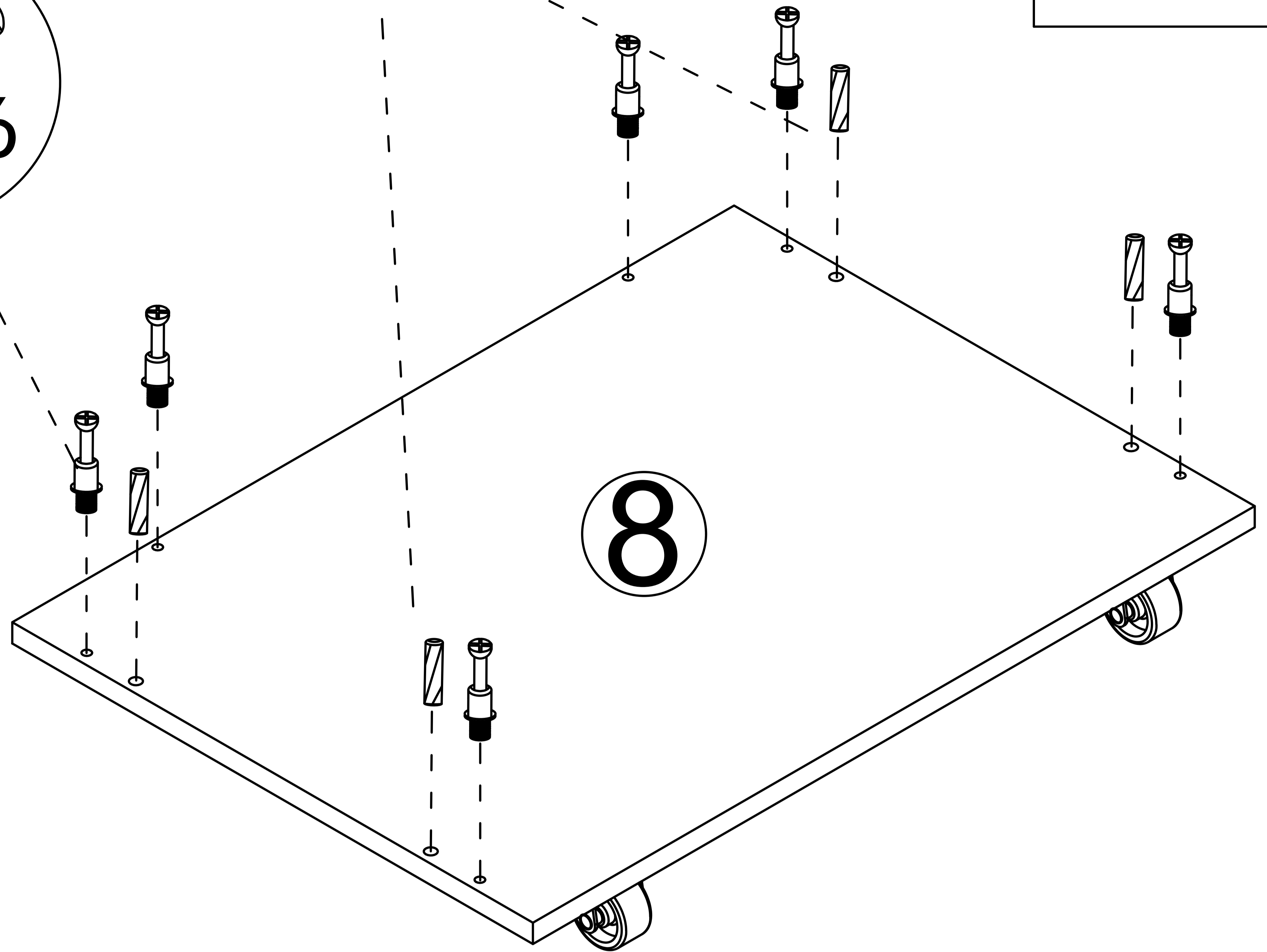
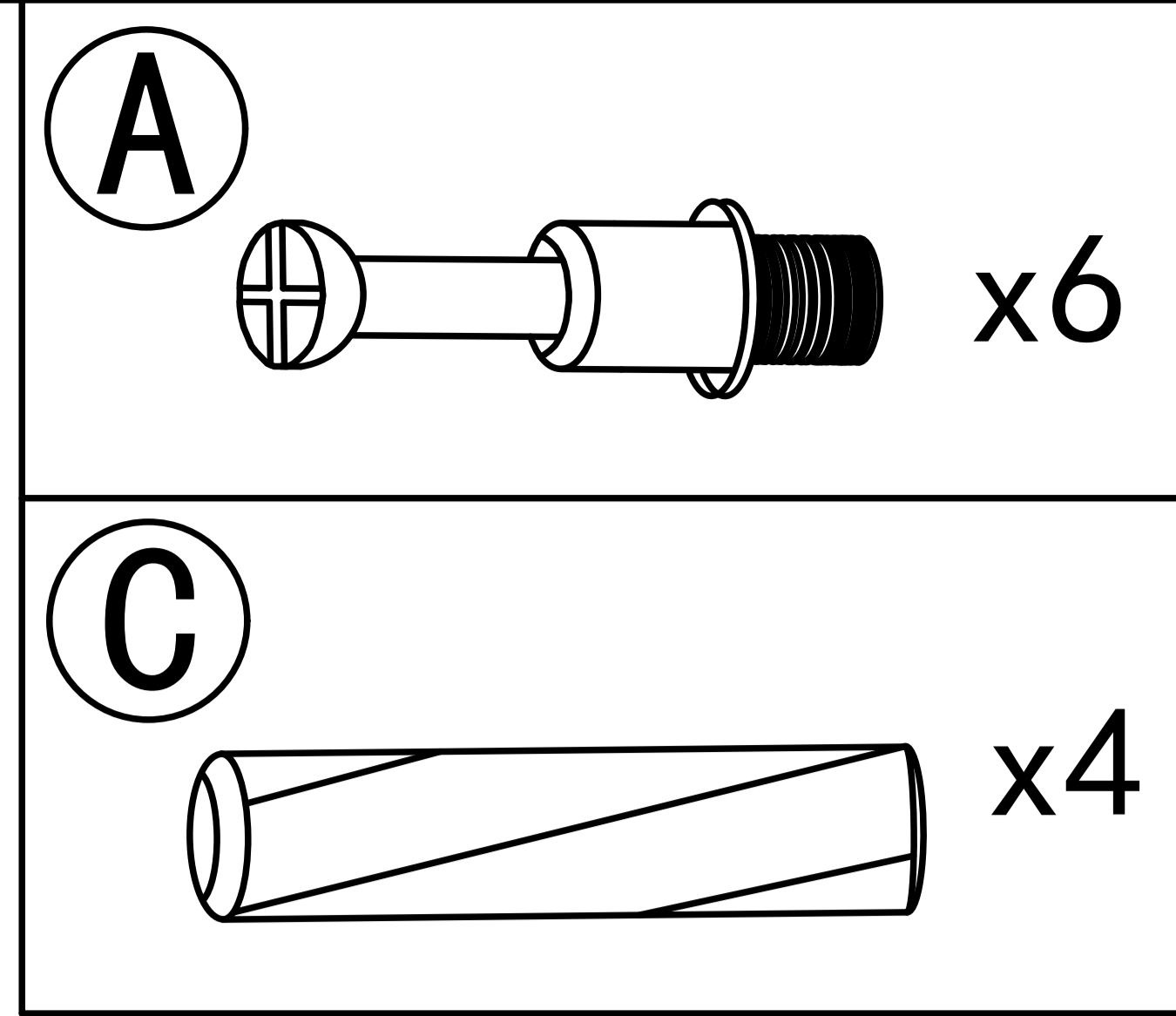
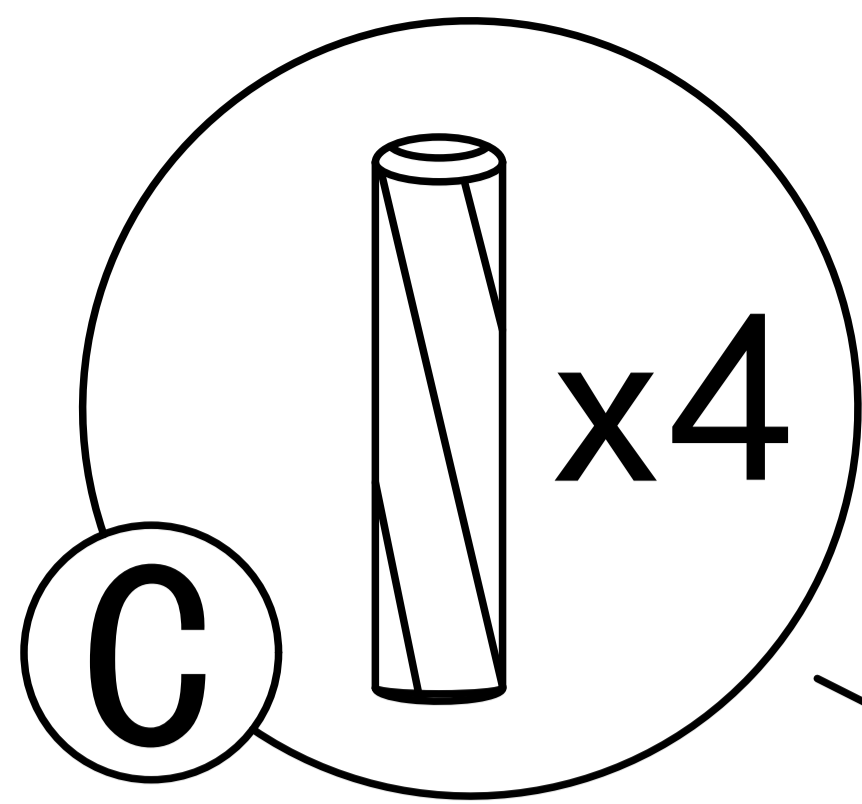
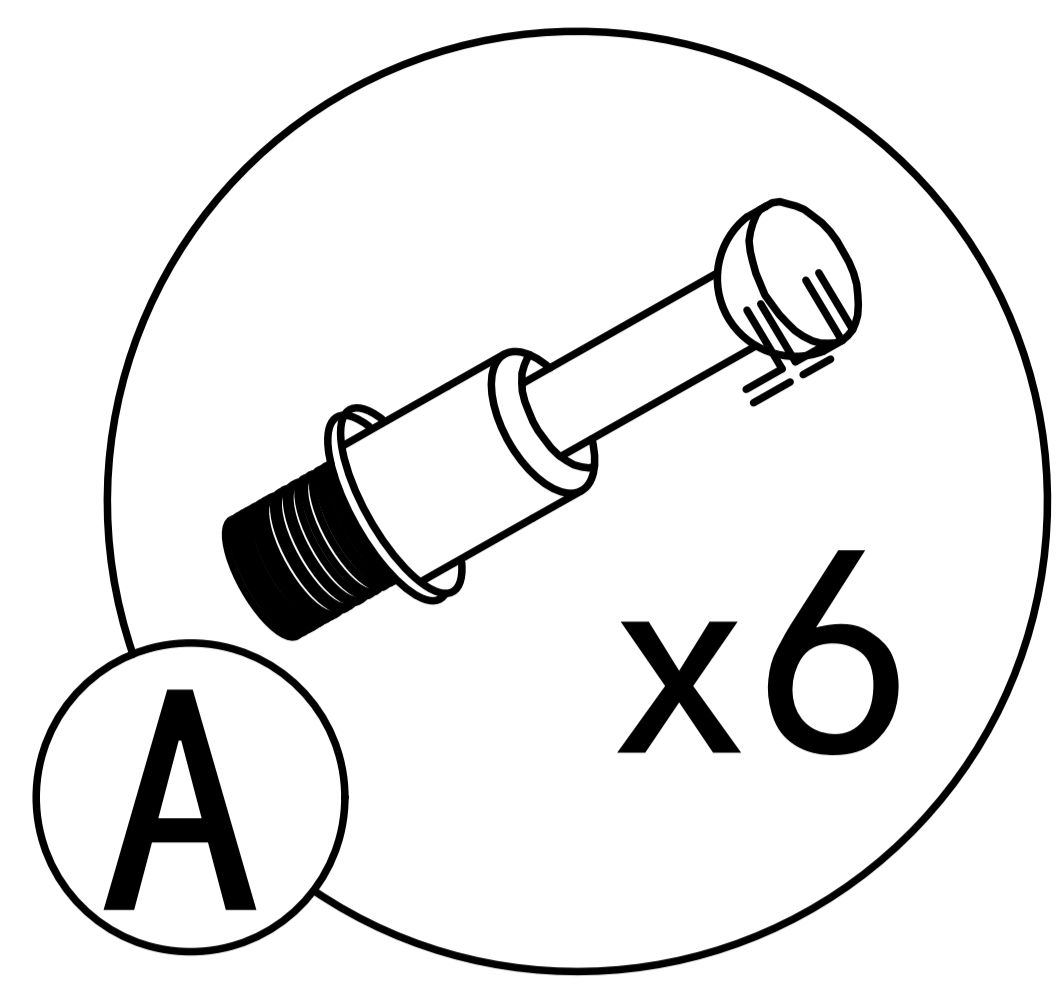
Step 19



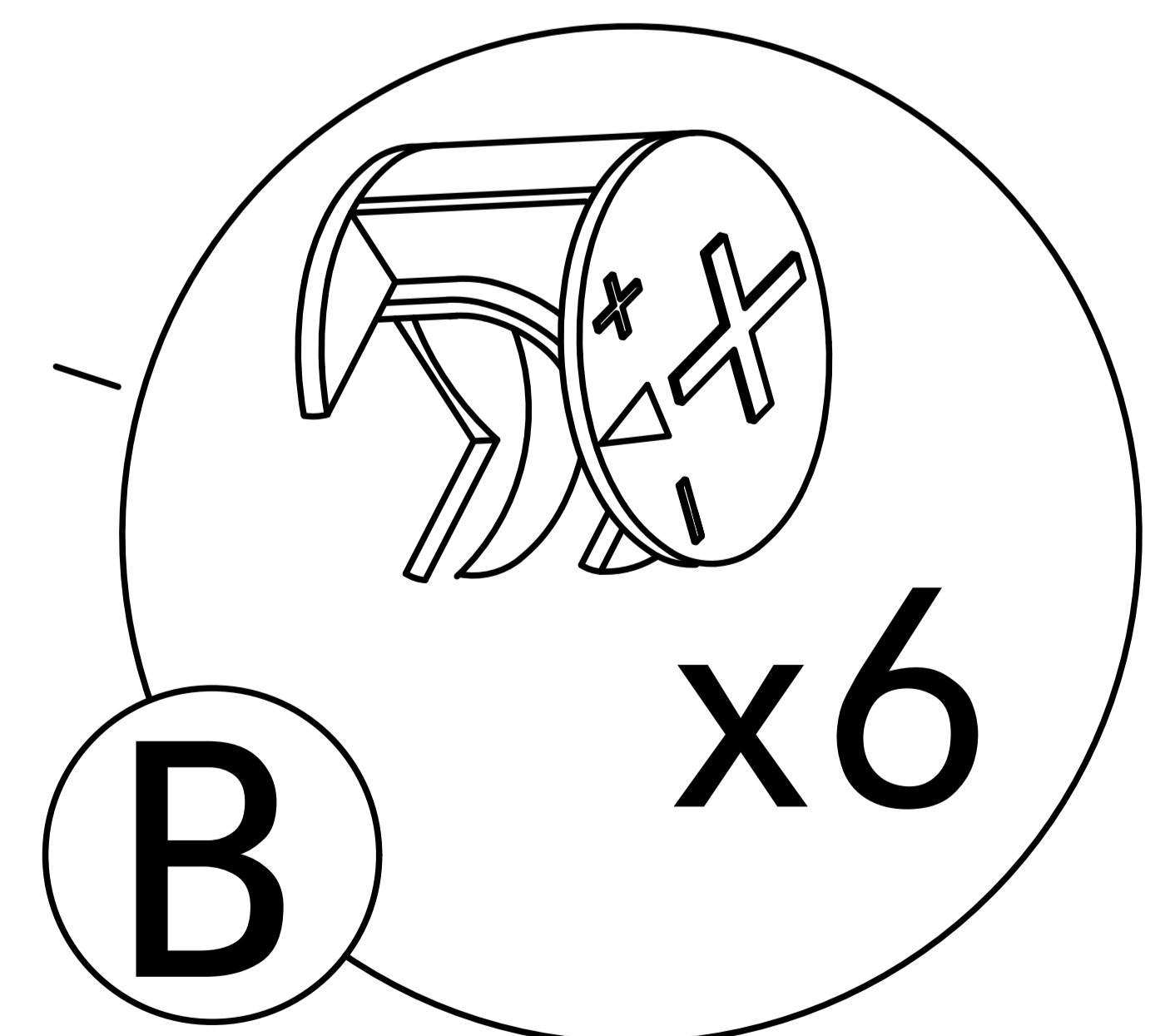
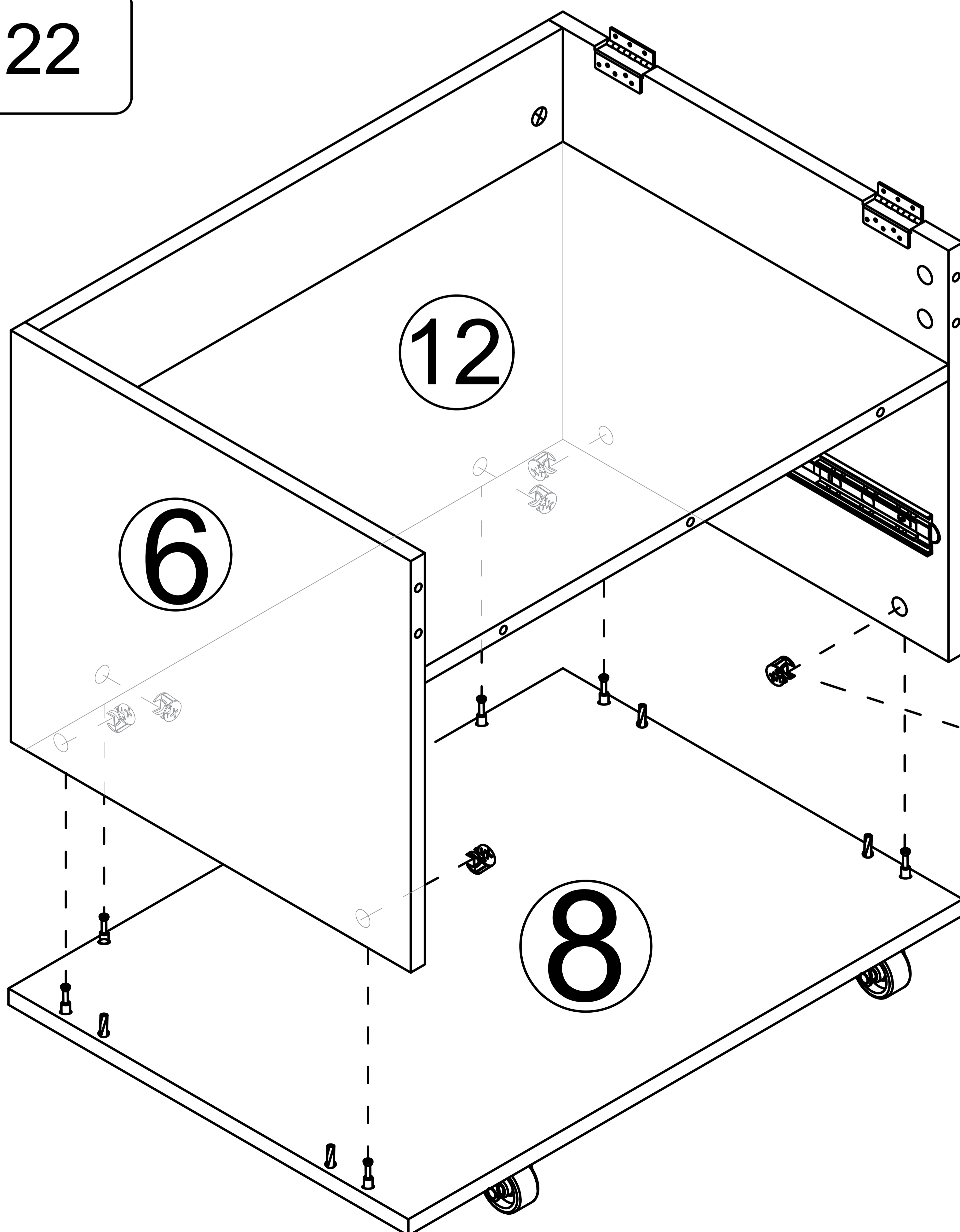
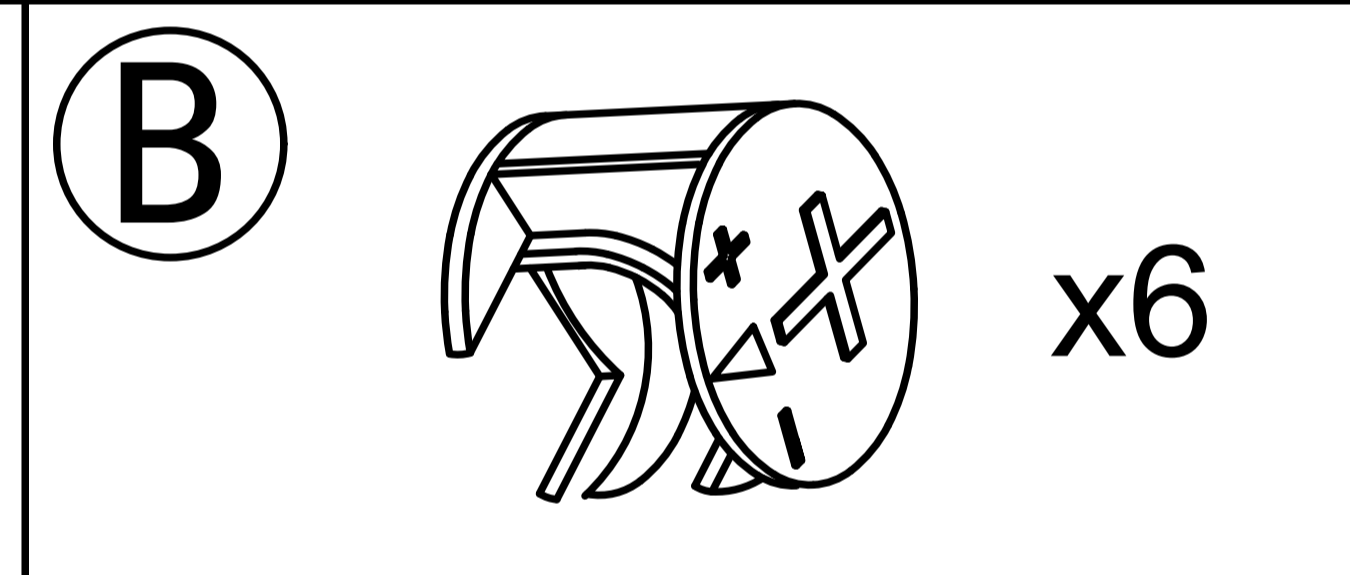
Step 20



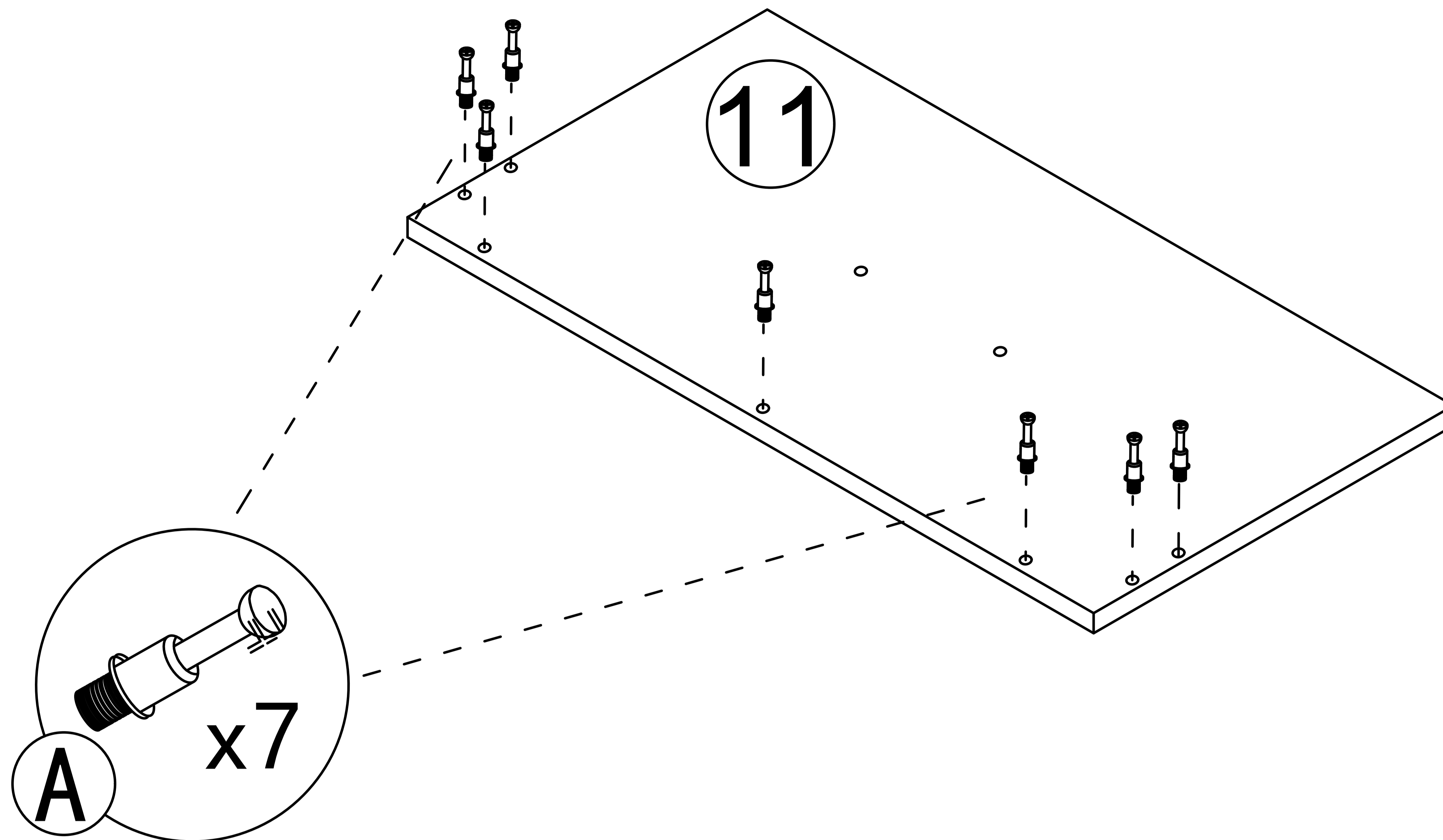
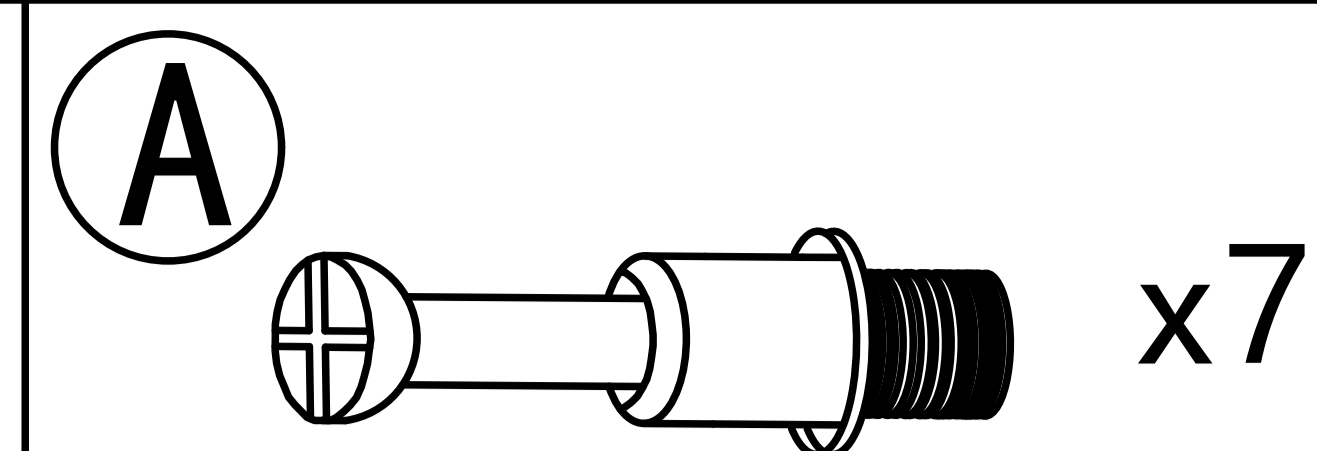
Step 21



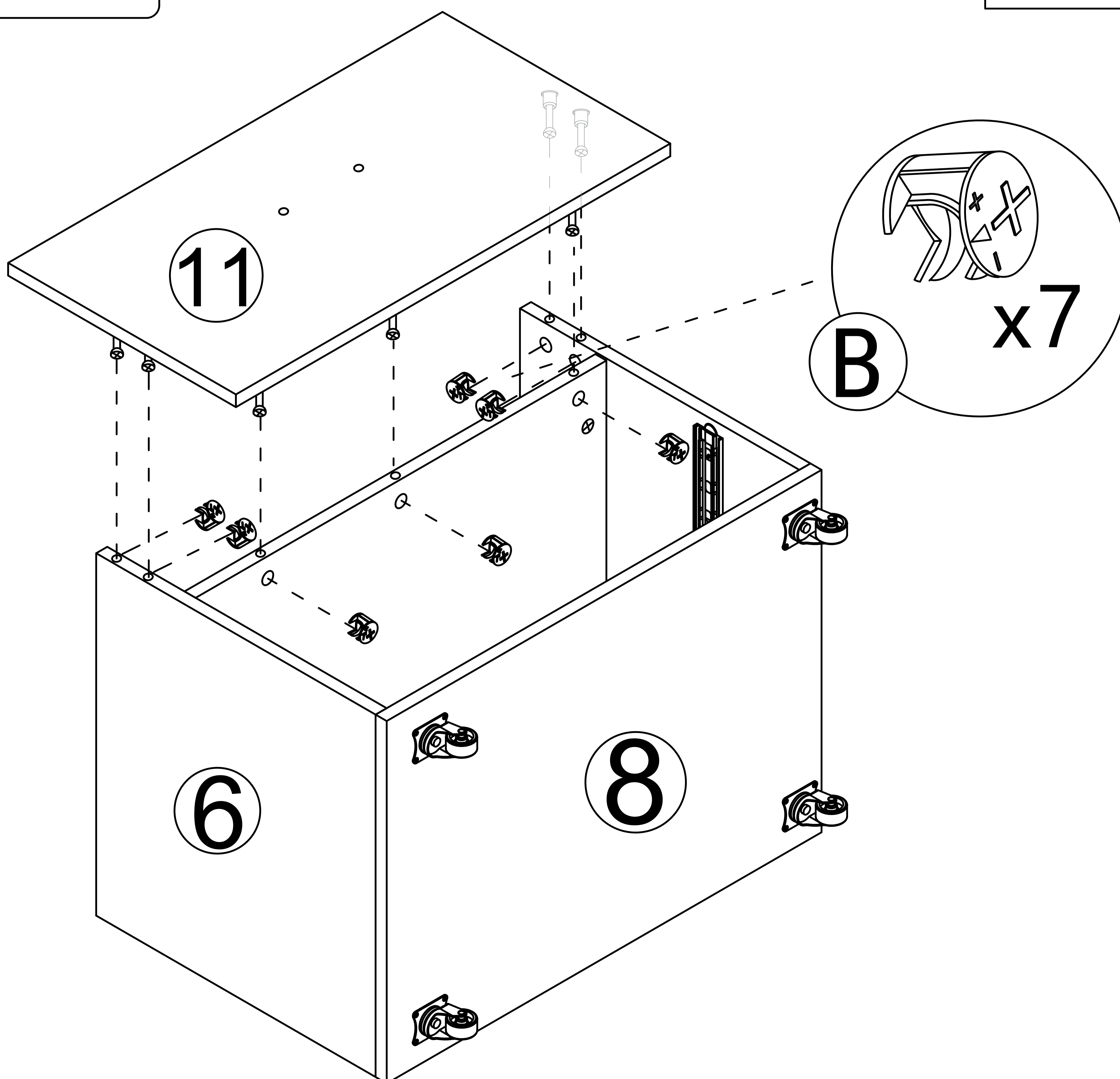
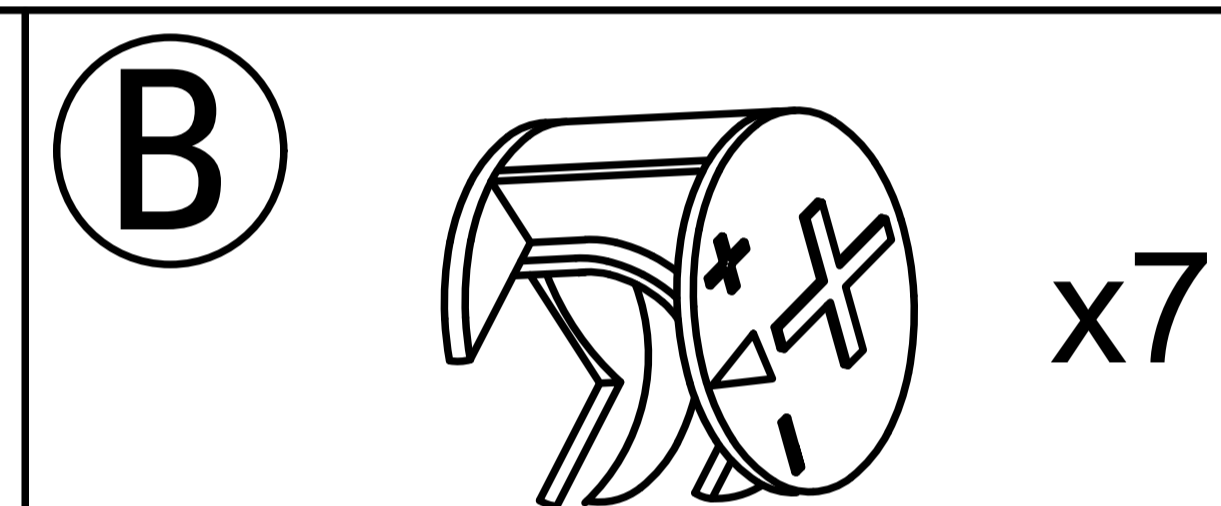
Step 22



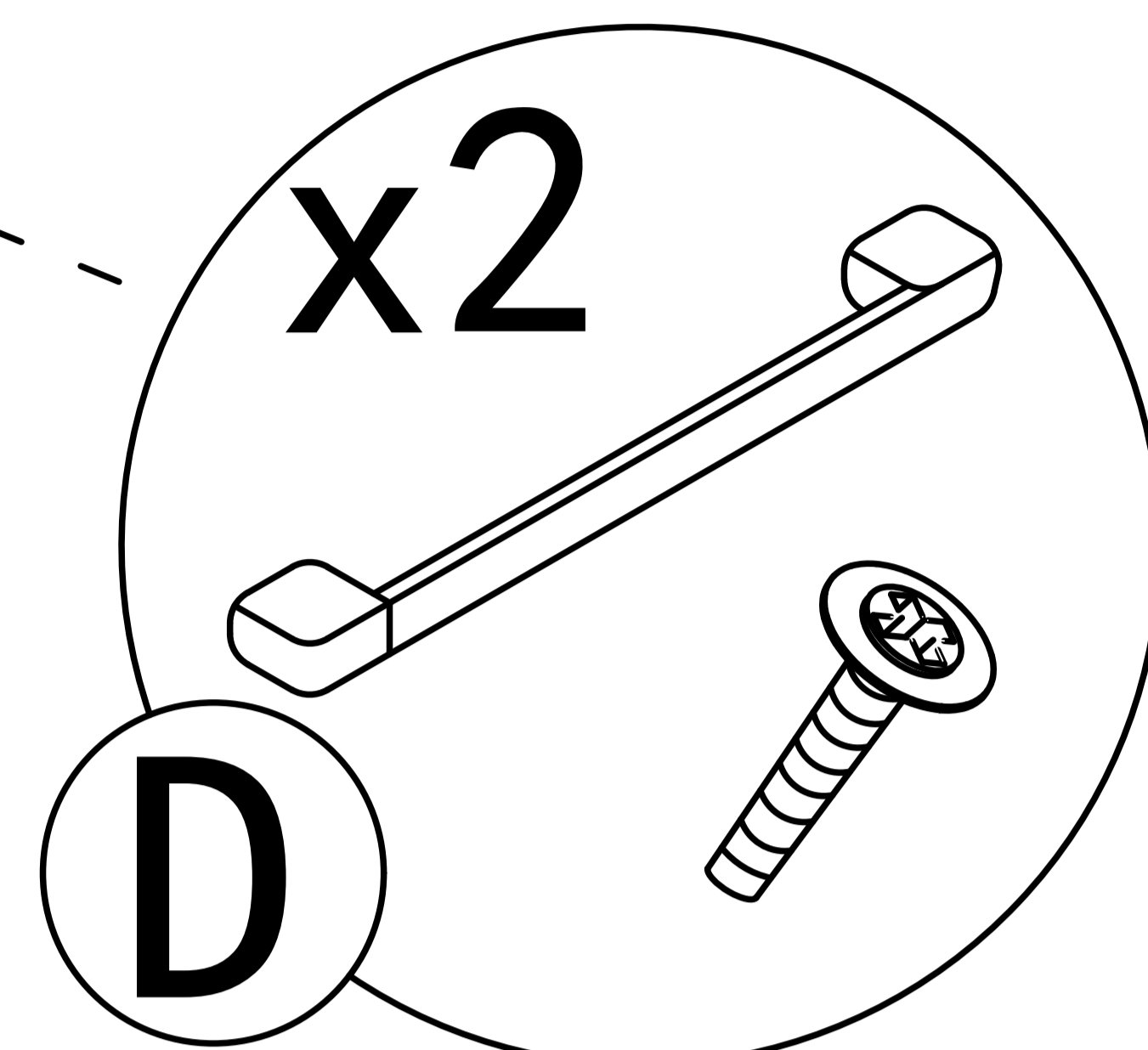
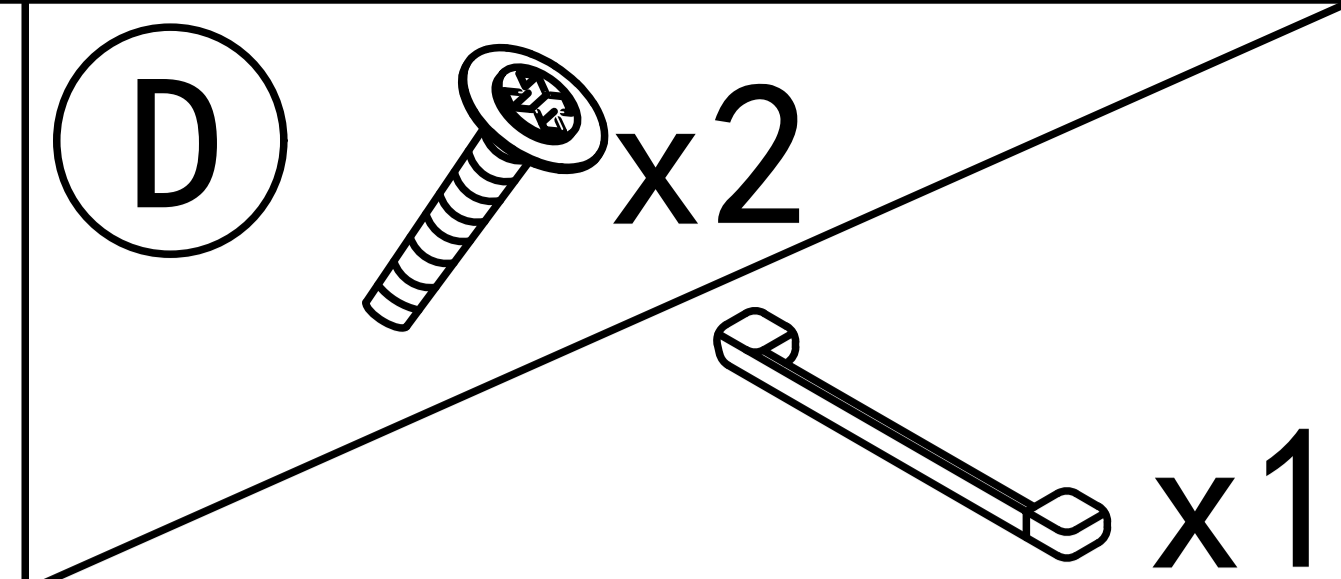
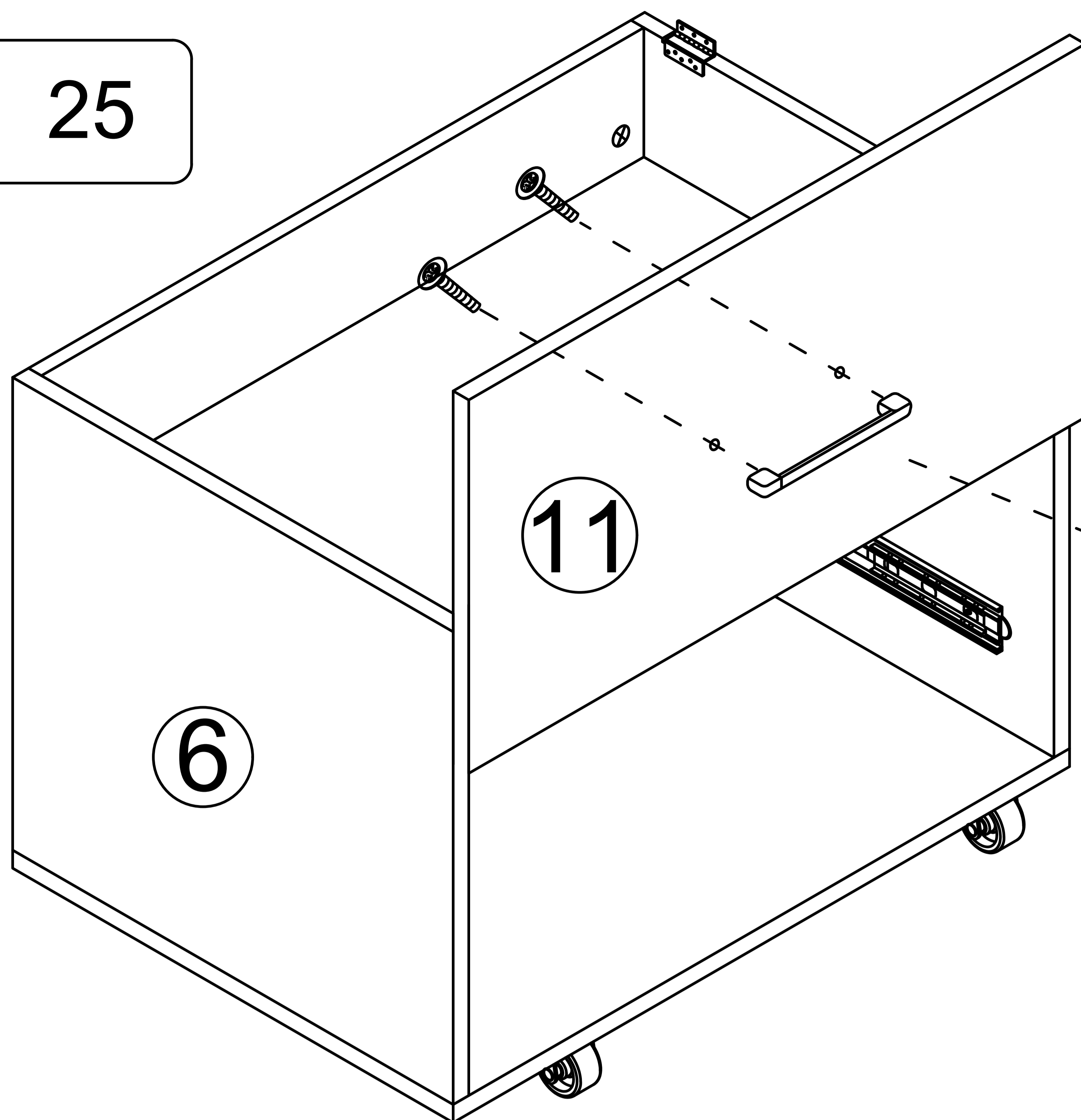
Step 23



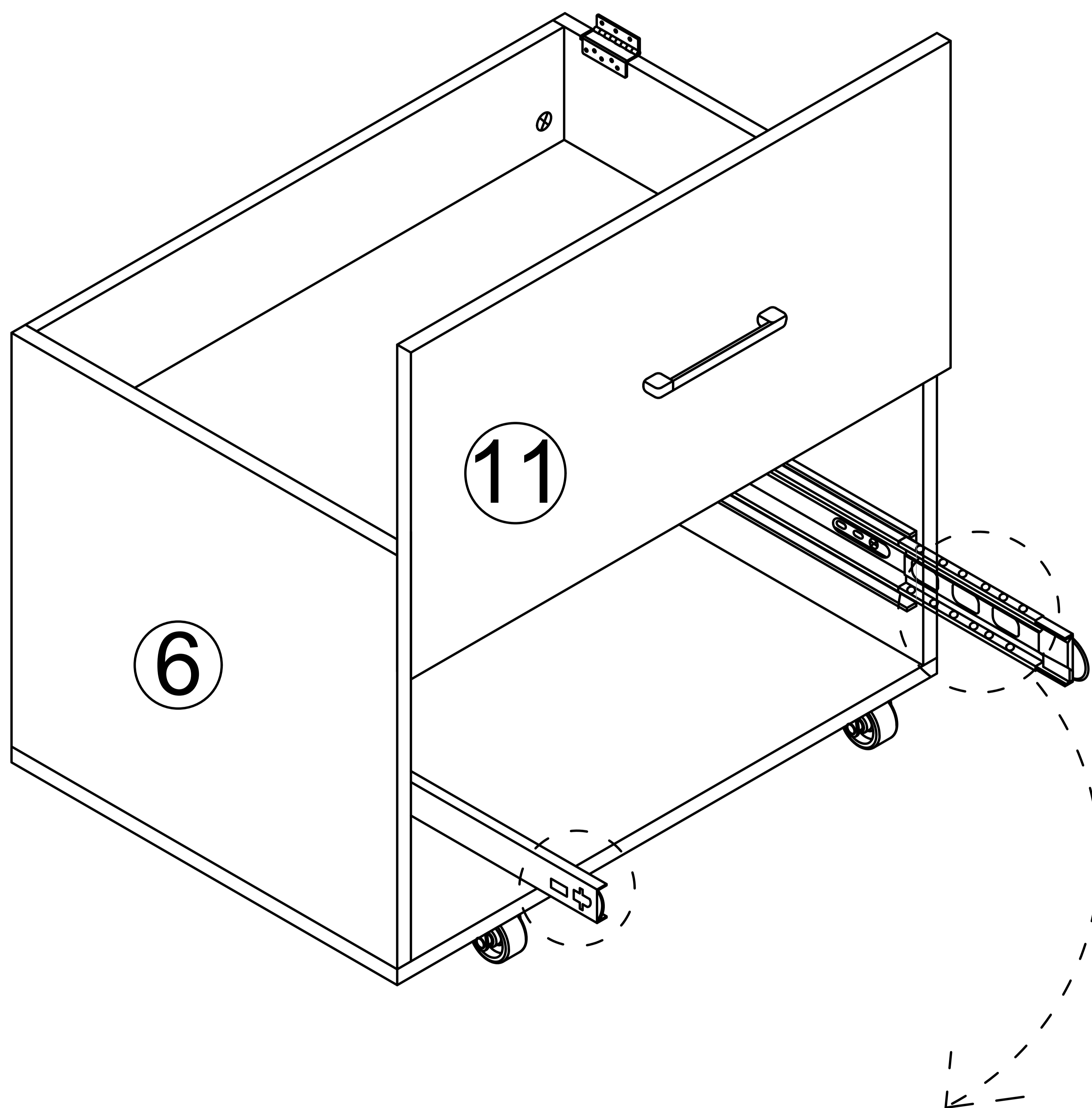
Step 24



Step 25

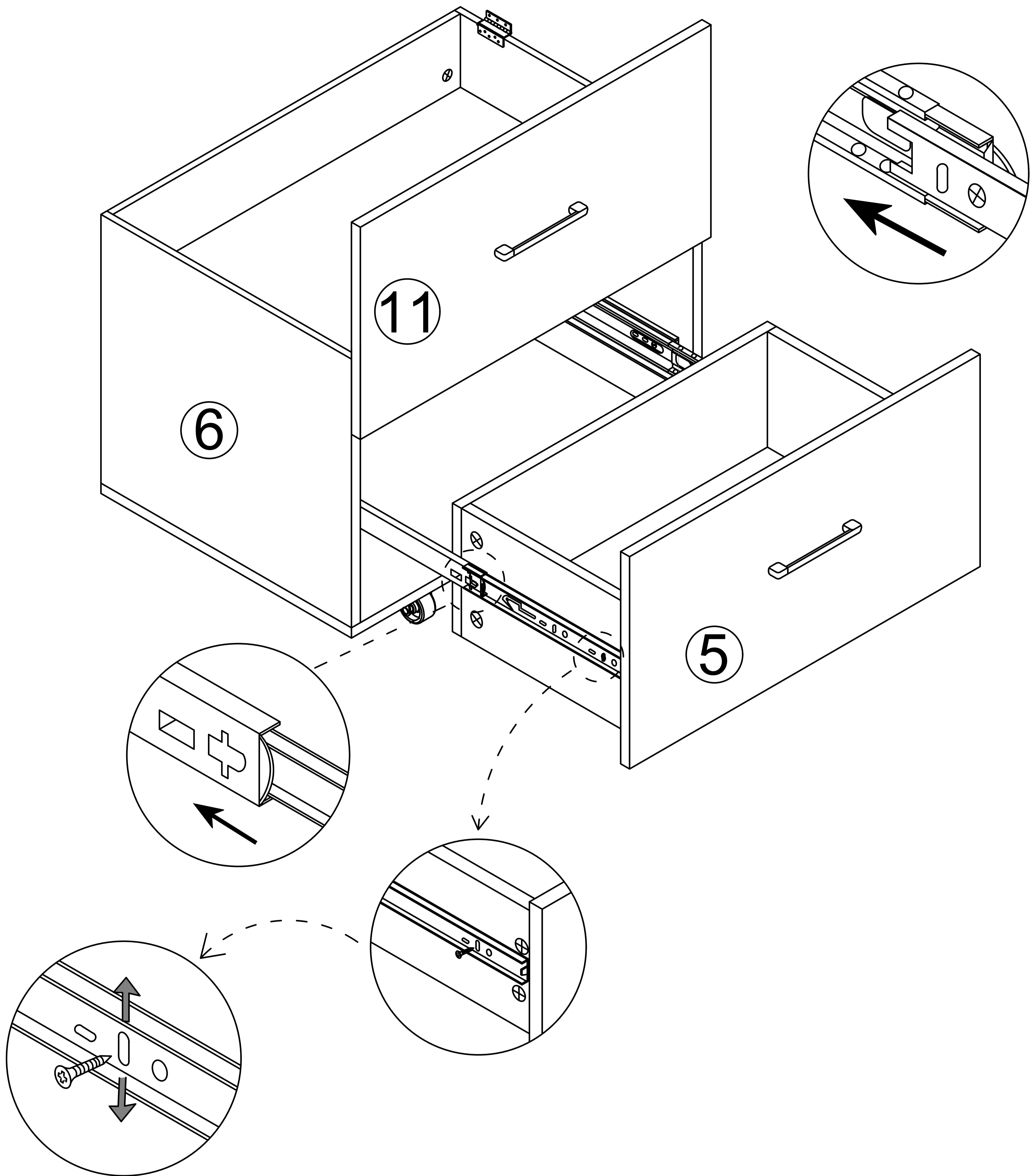


Step 26



As shown, When installing the drawer, pull the guide rail out first, Slide beads are also pulled out.

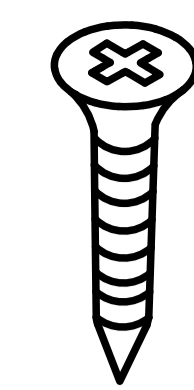
Step 27



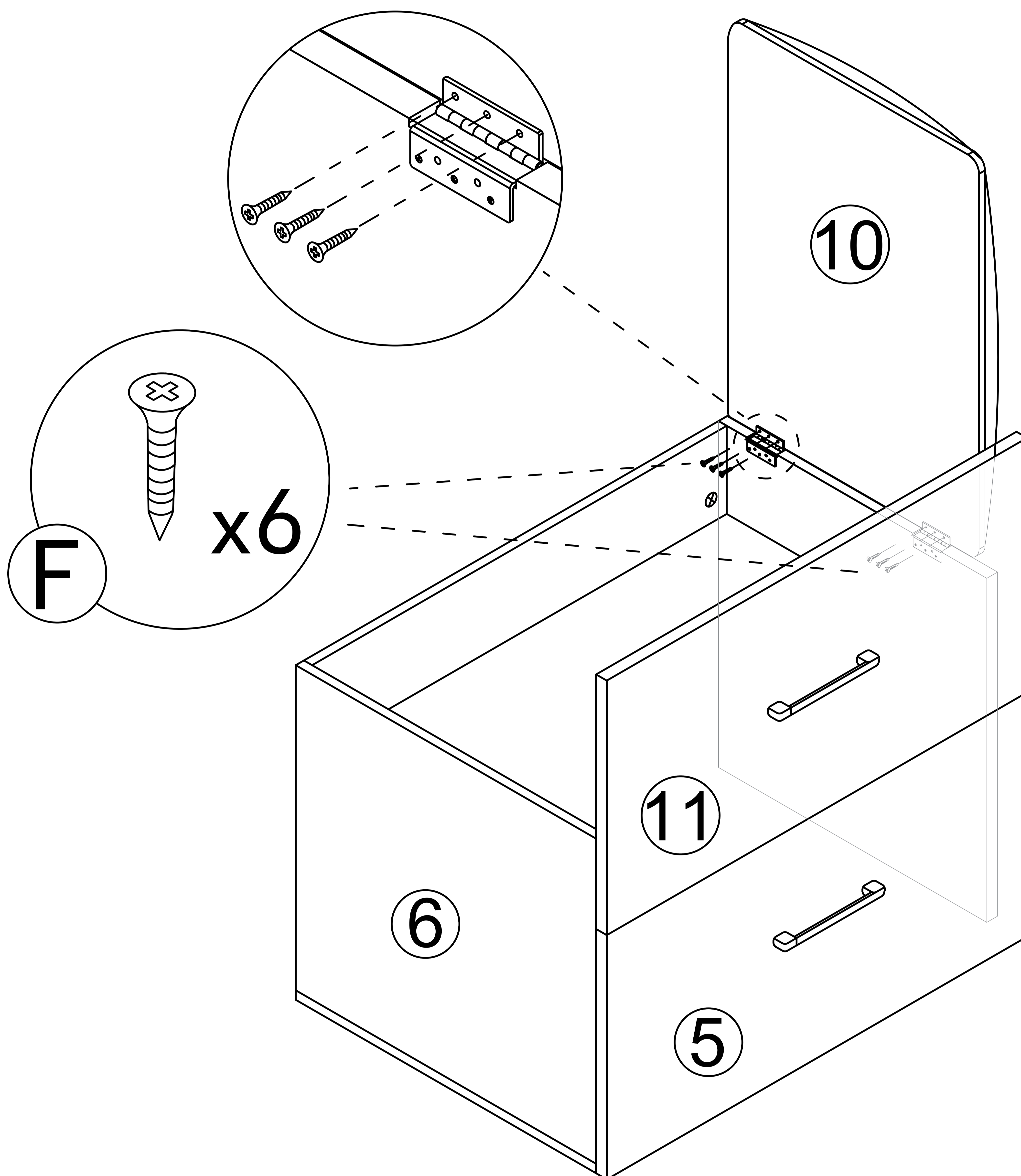
If a large gap is found after installing the drawer the slide rail can be moved up and down to adjust the gap

Step 28

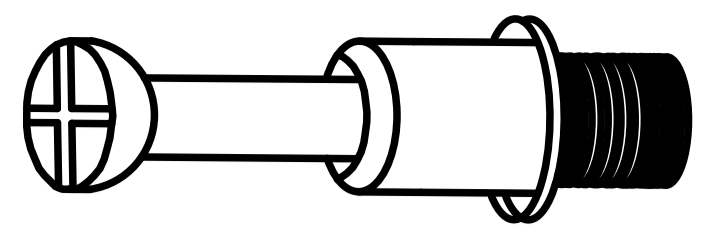
F



x6

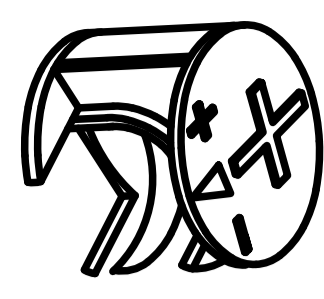


A



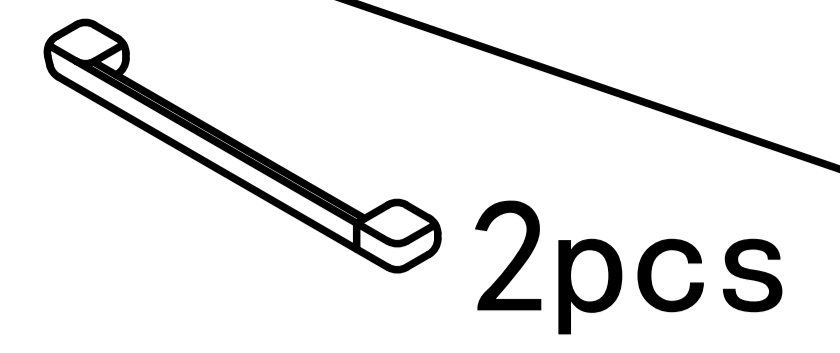
16pcs

B



16pcs

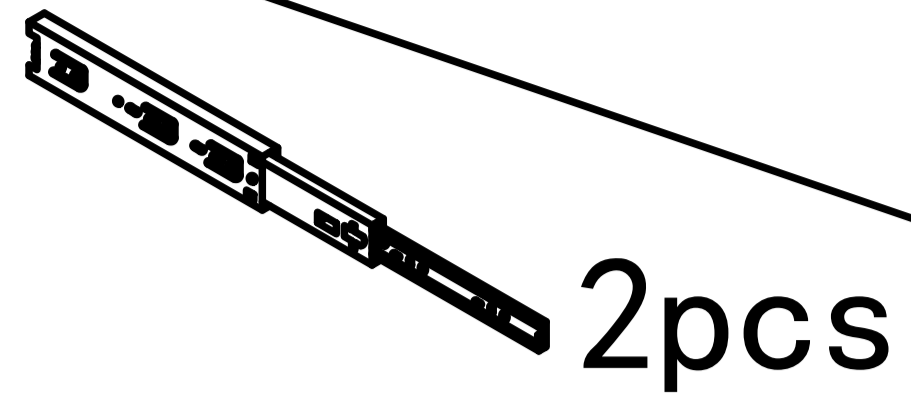
D



2pcs

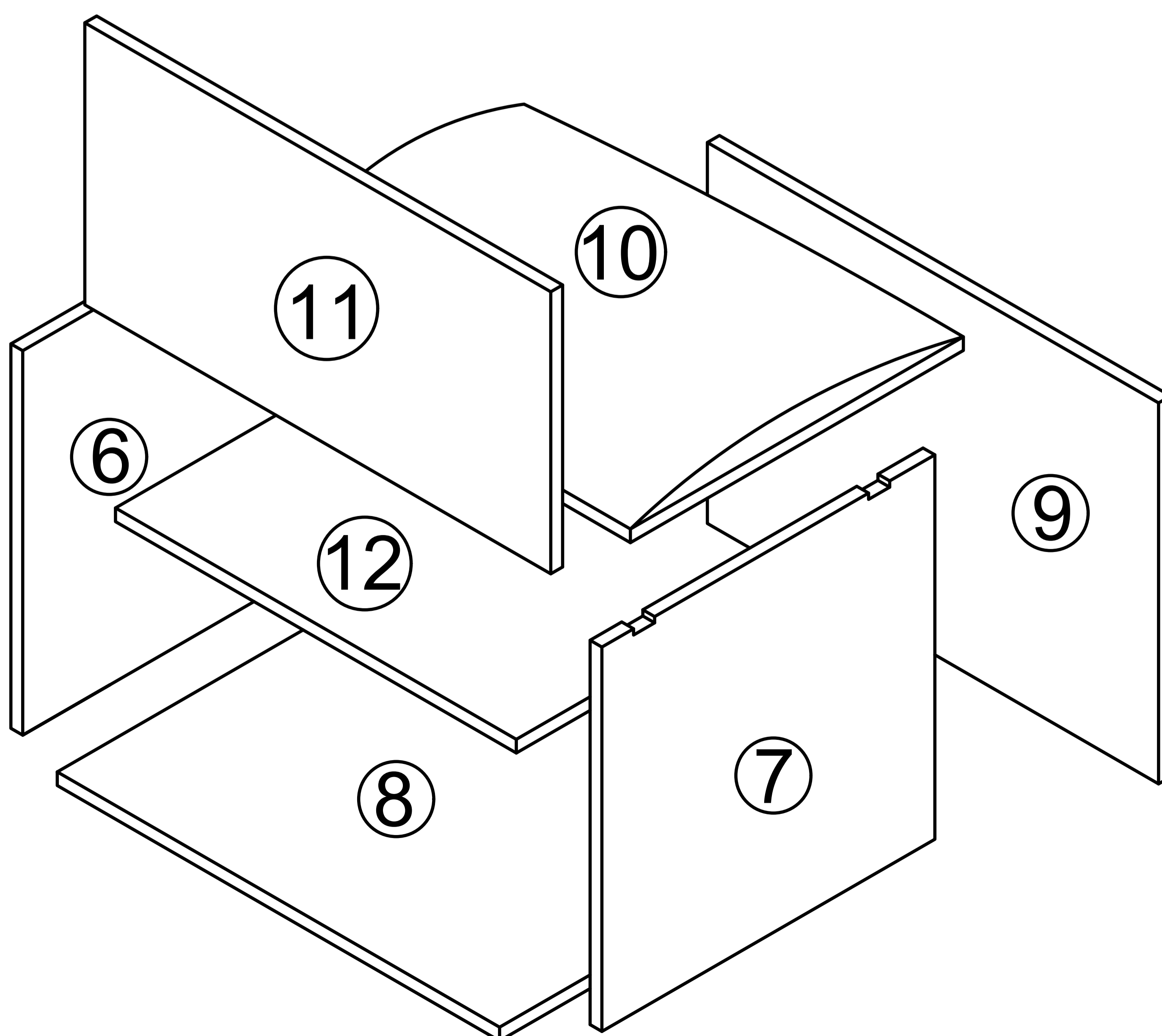
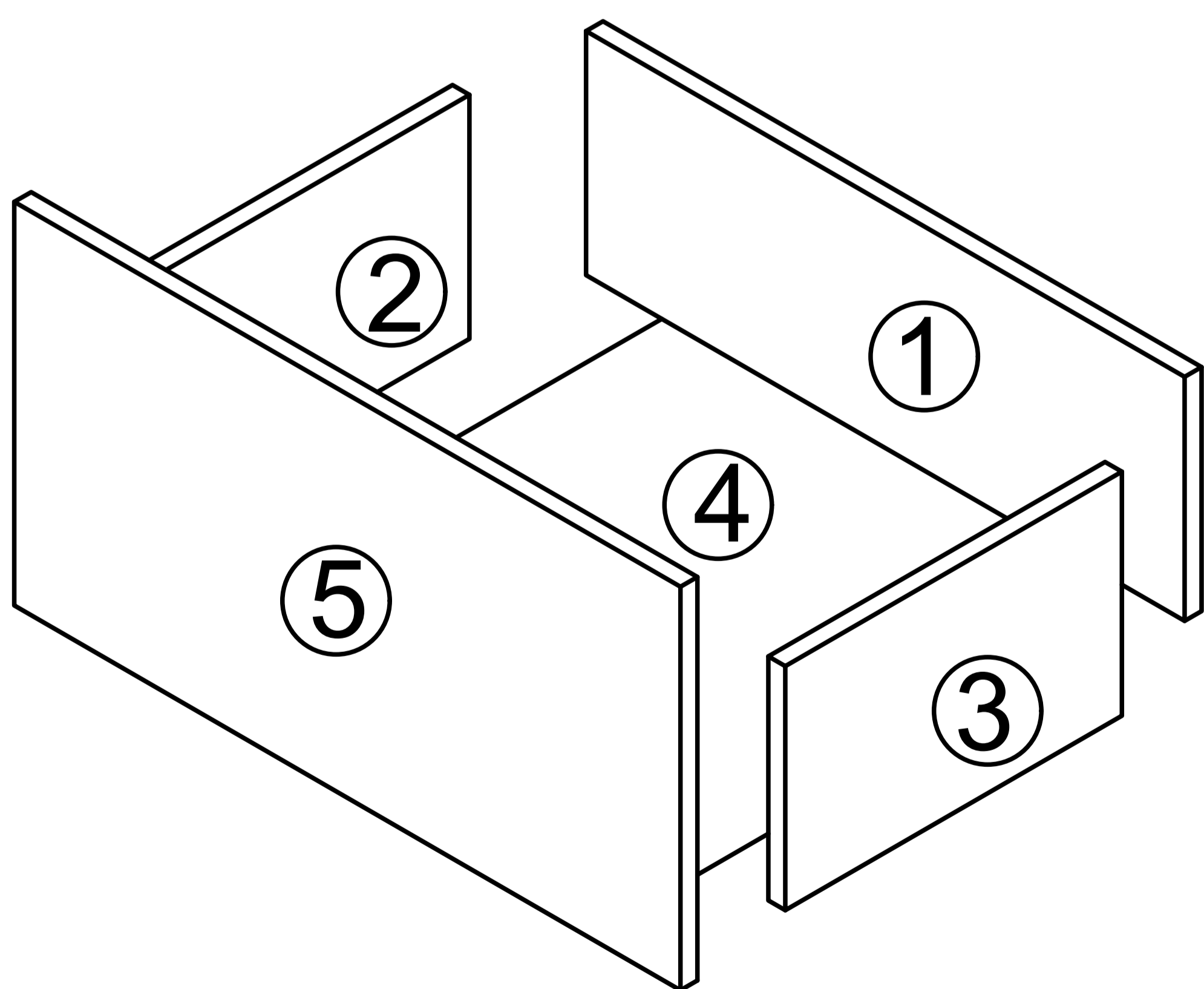
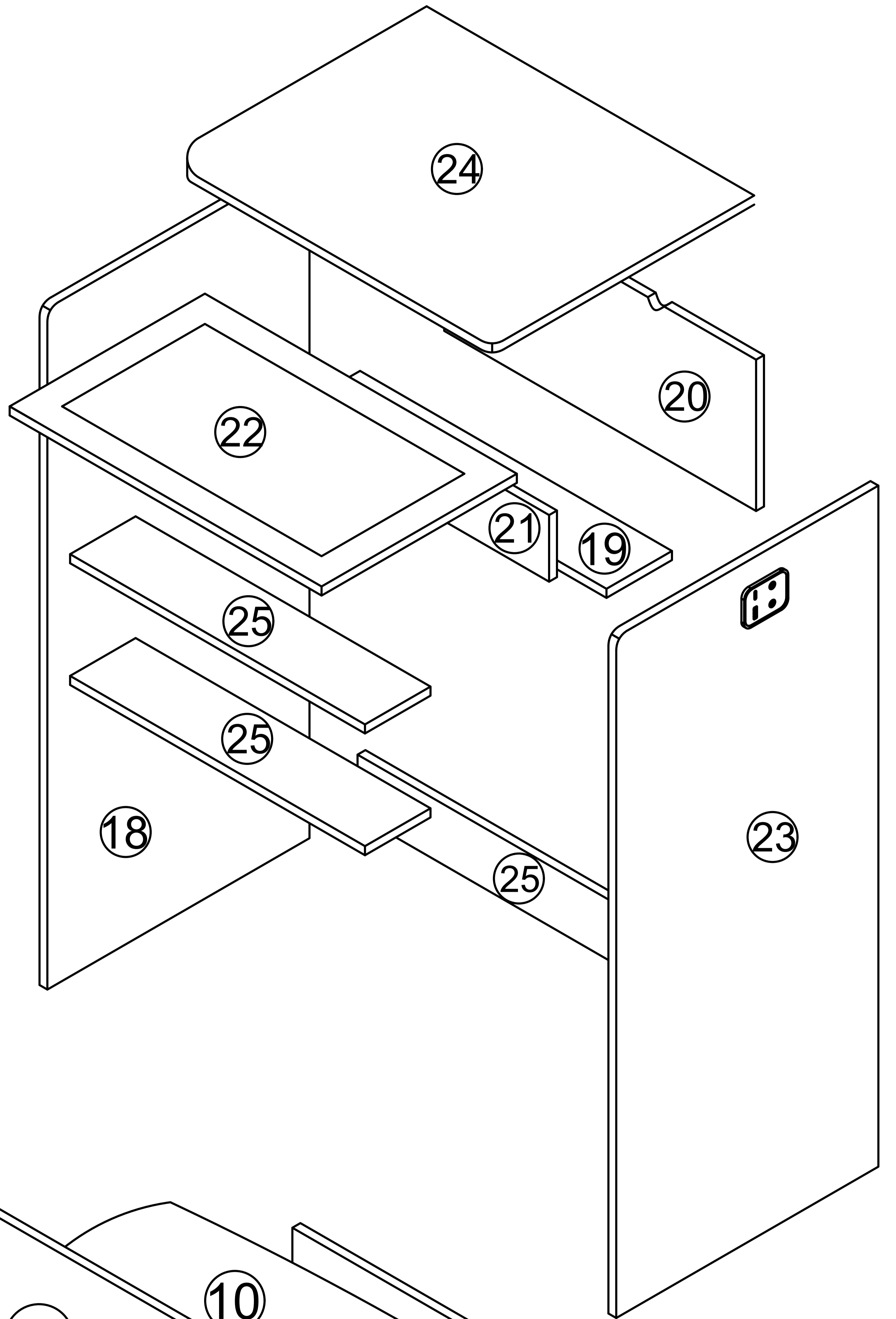
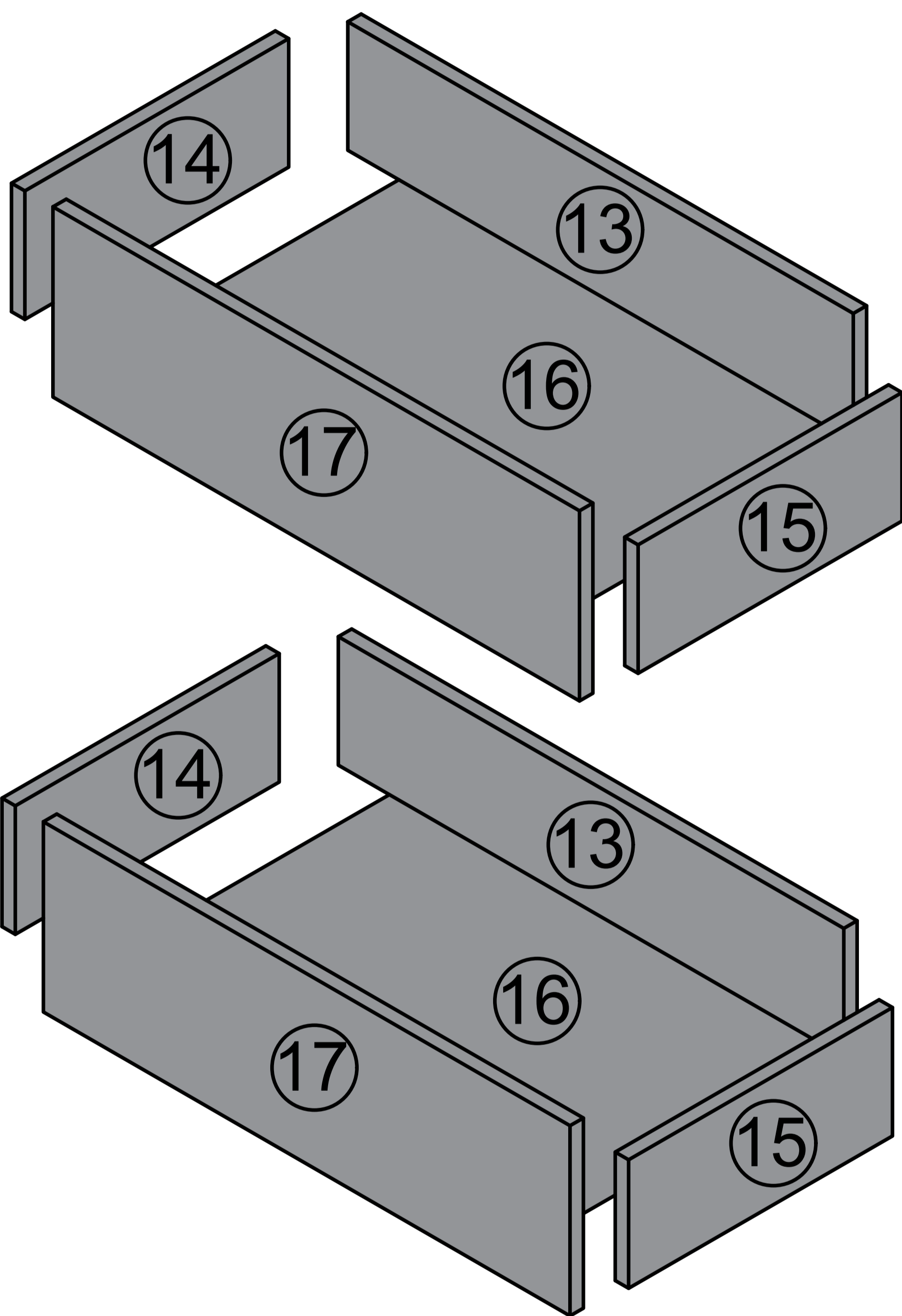
4pcs

E

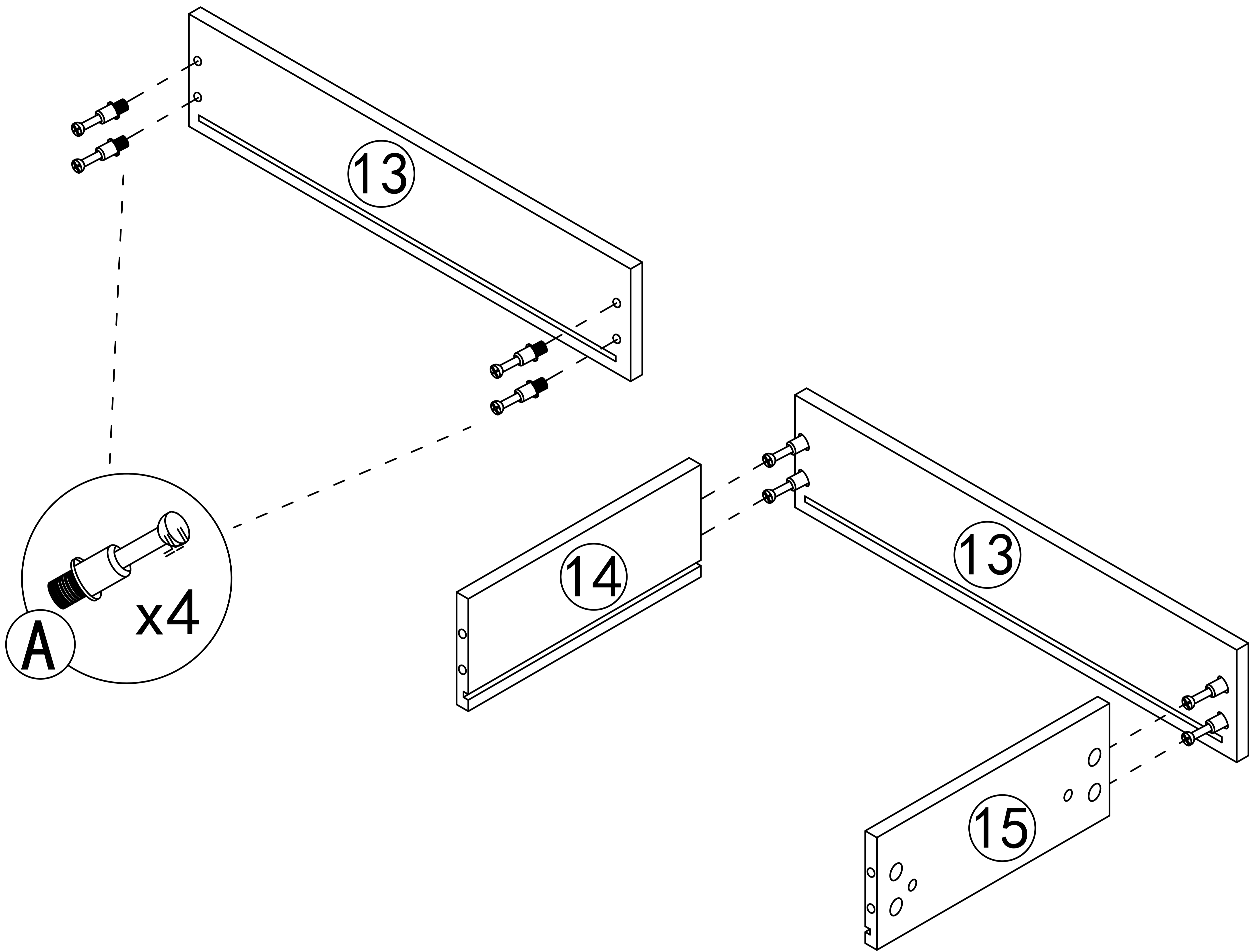
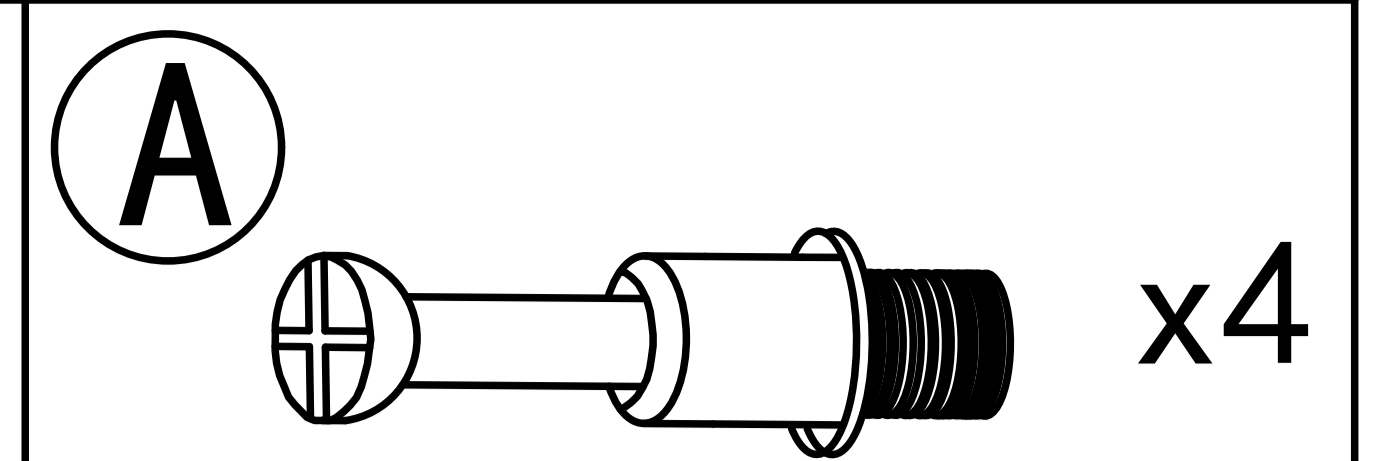


8pcs

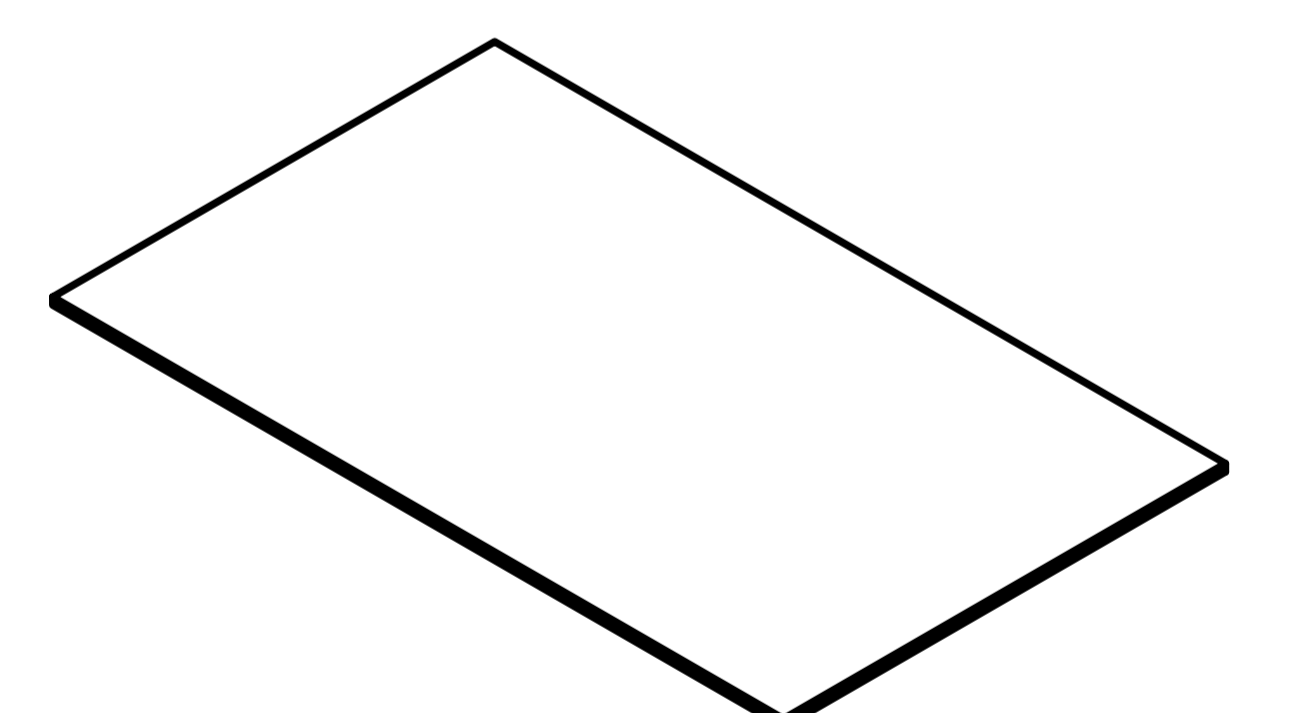
2pcs



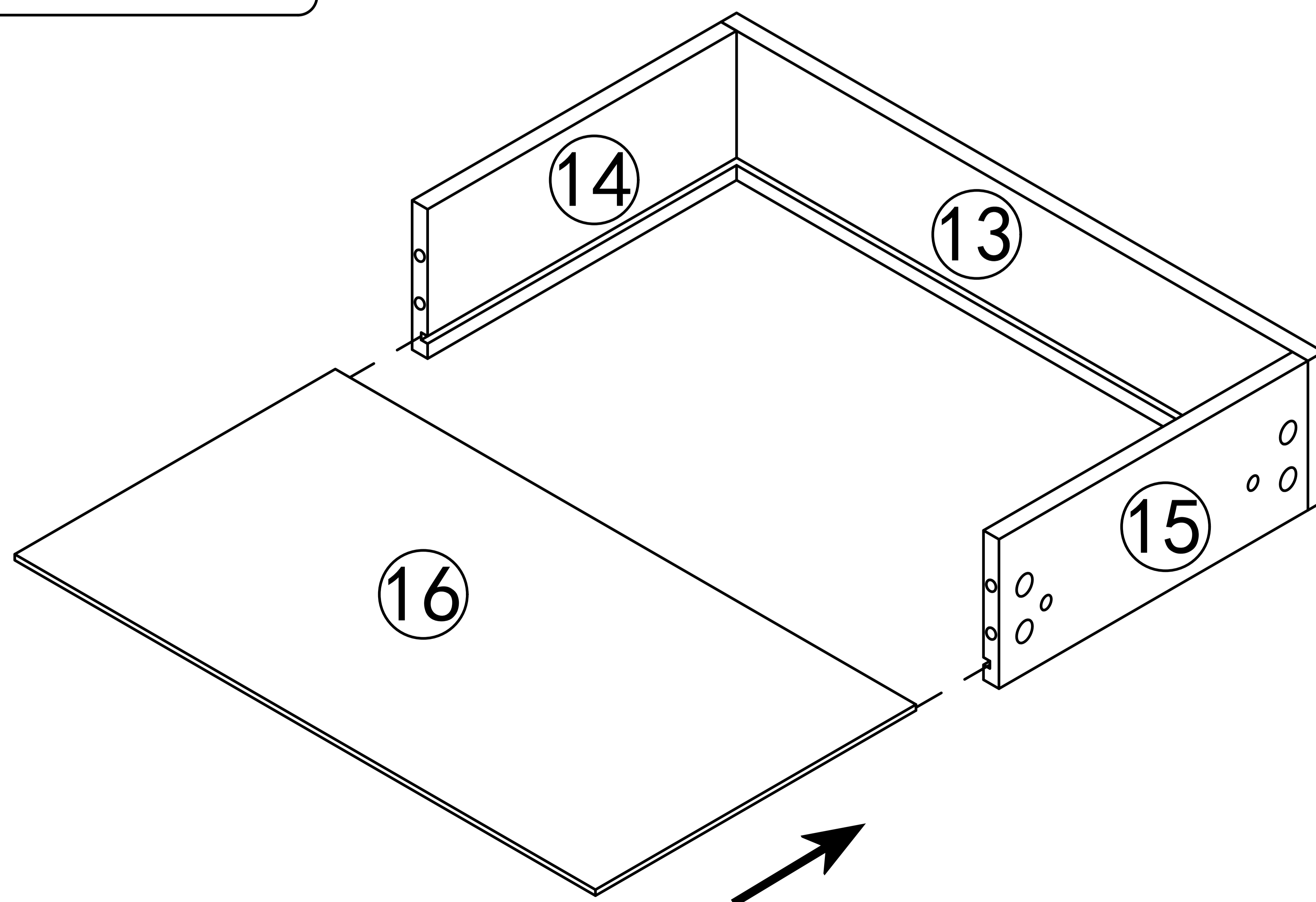
Step 29



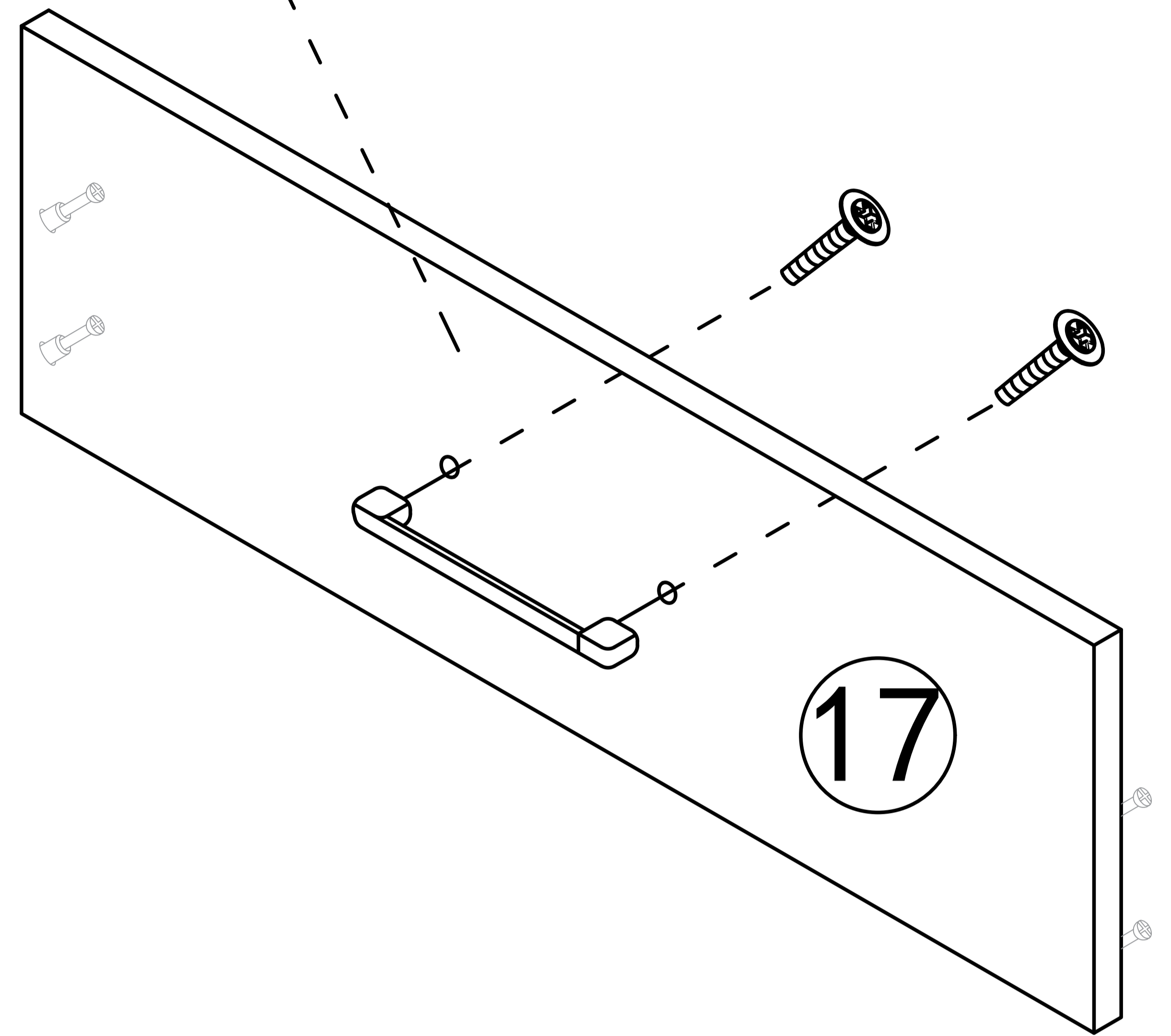
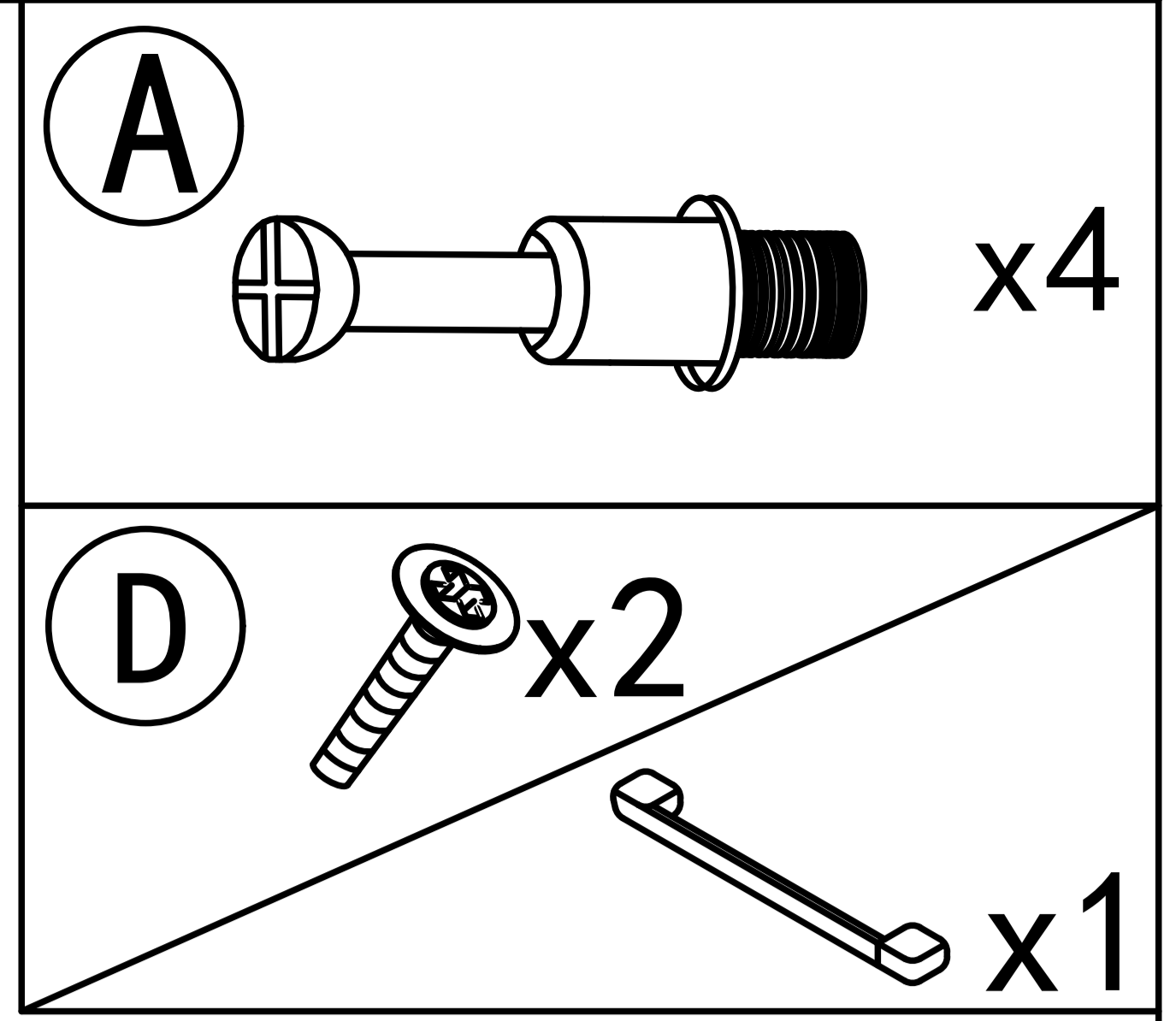
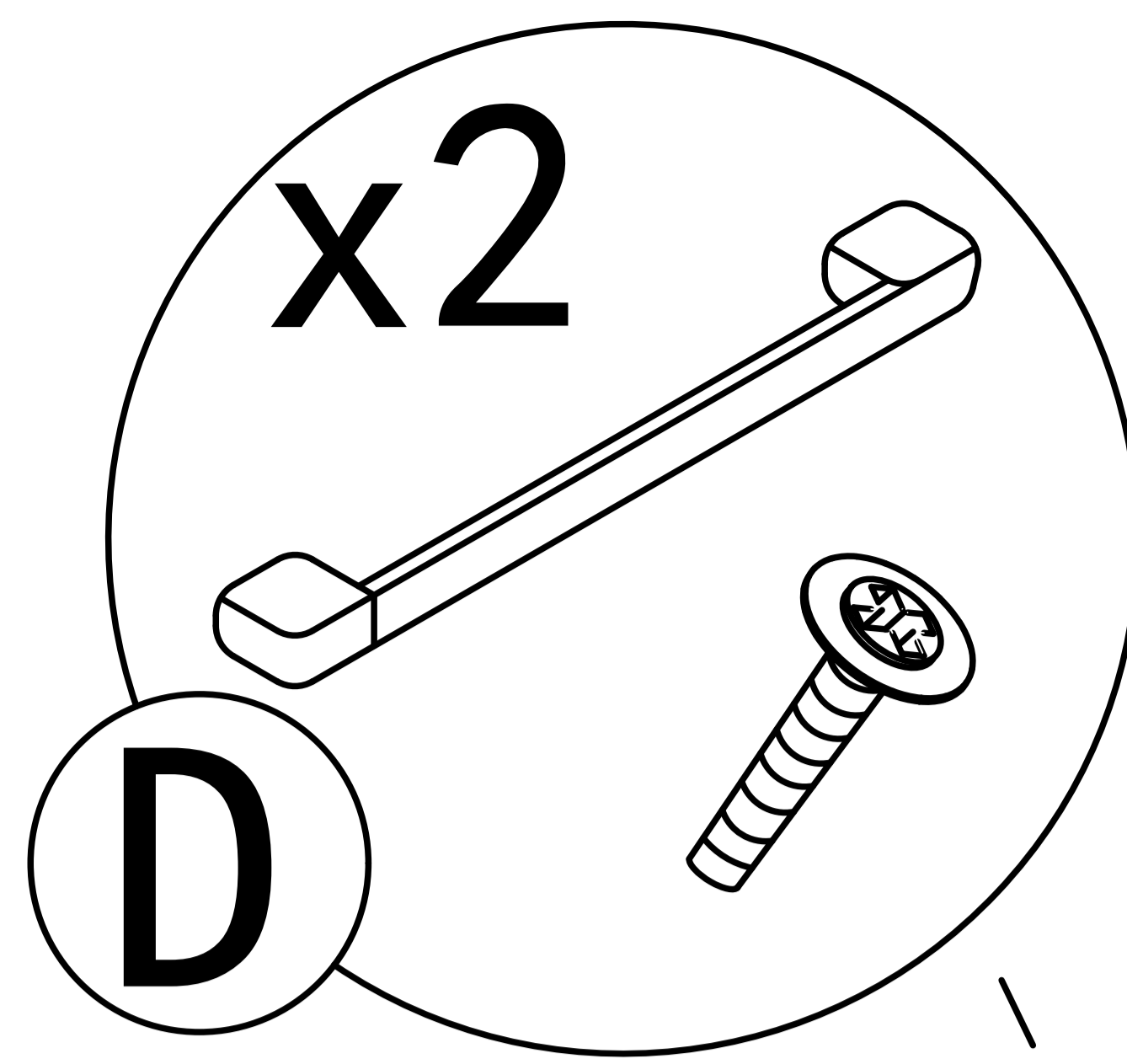
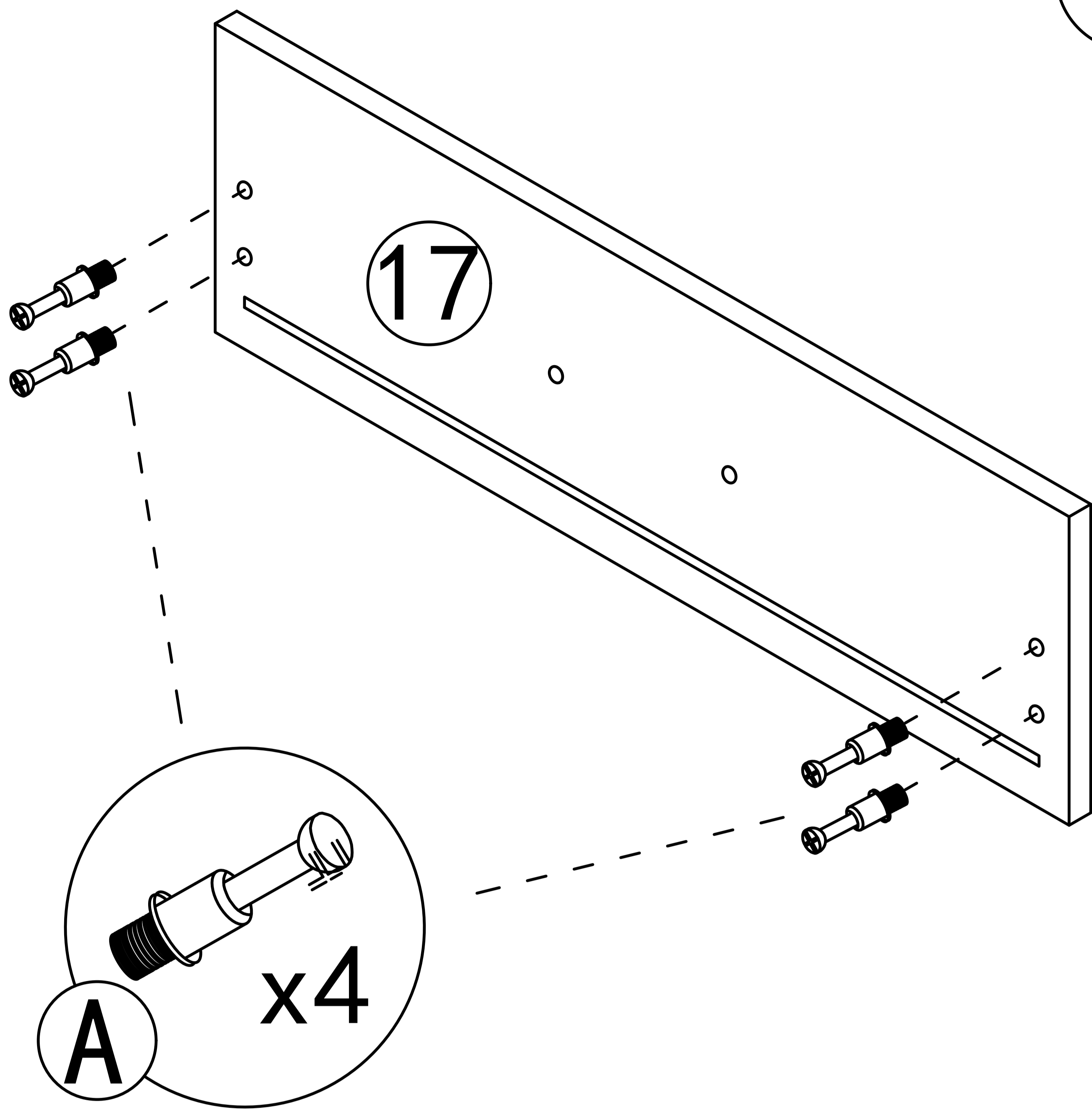
Step 30



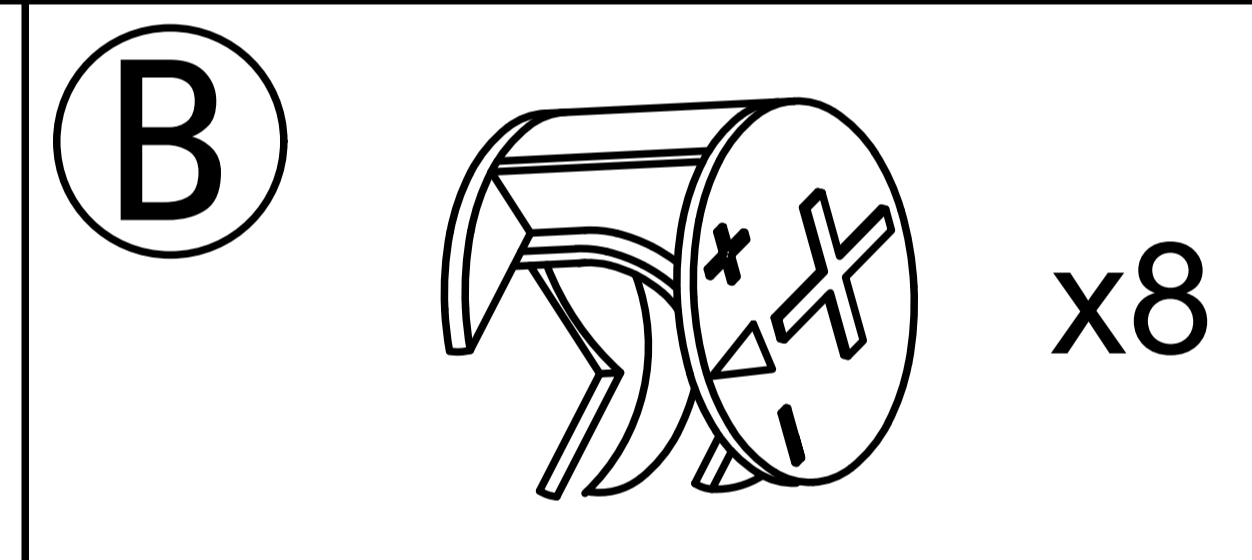
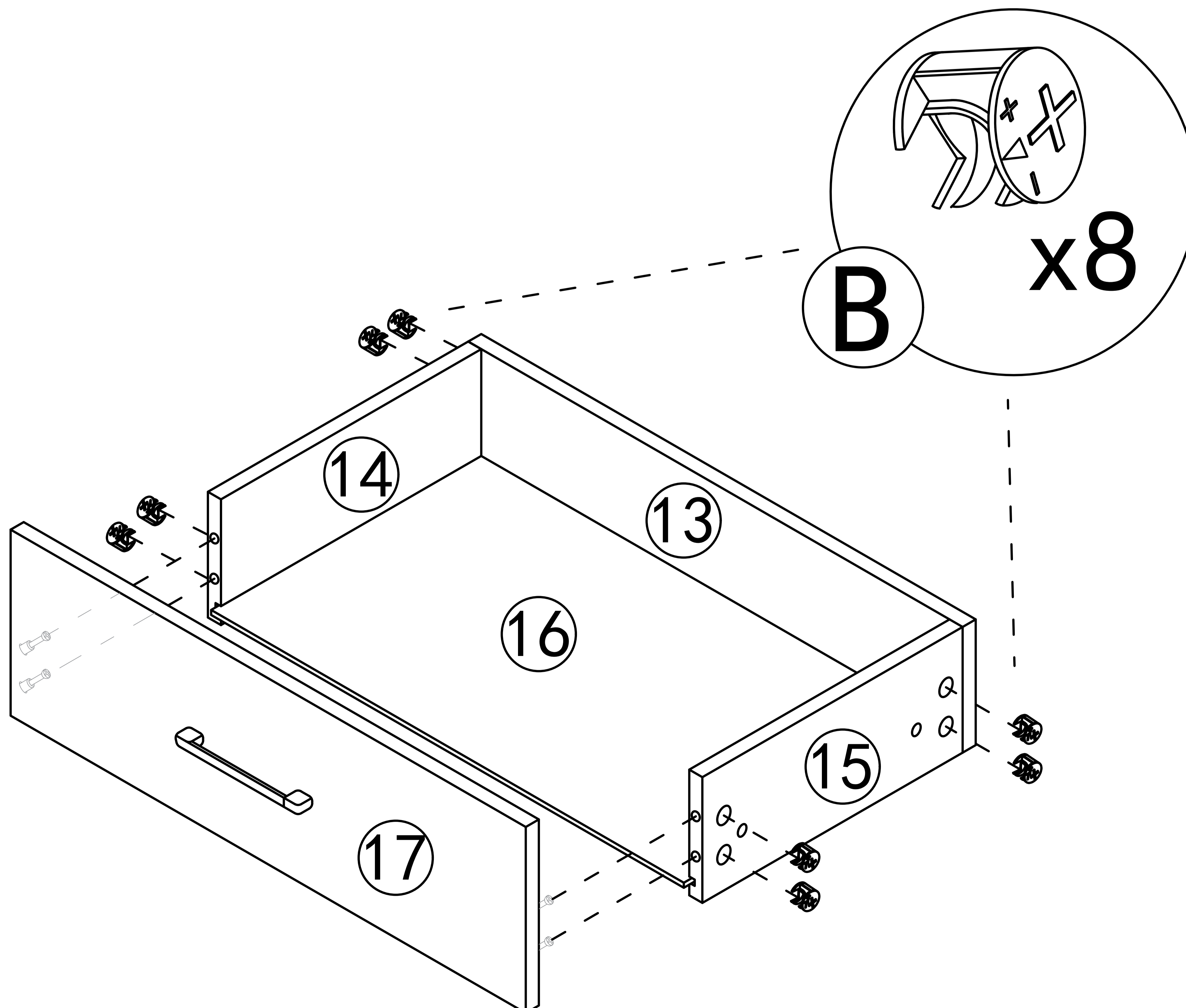
16 x1



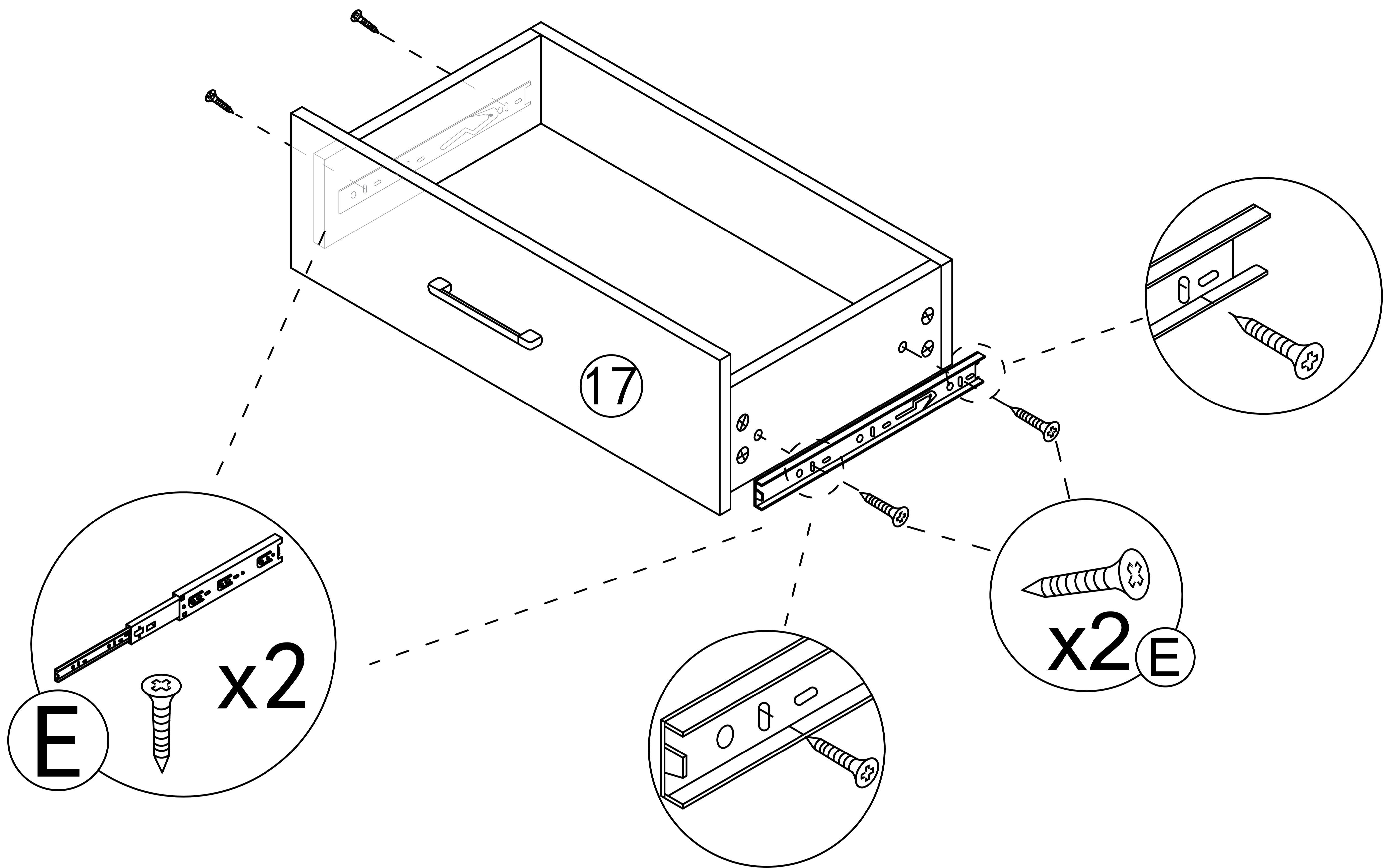
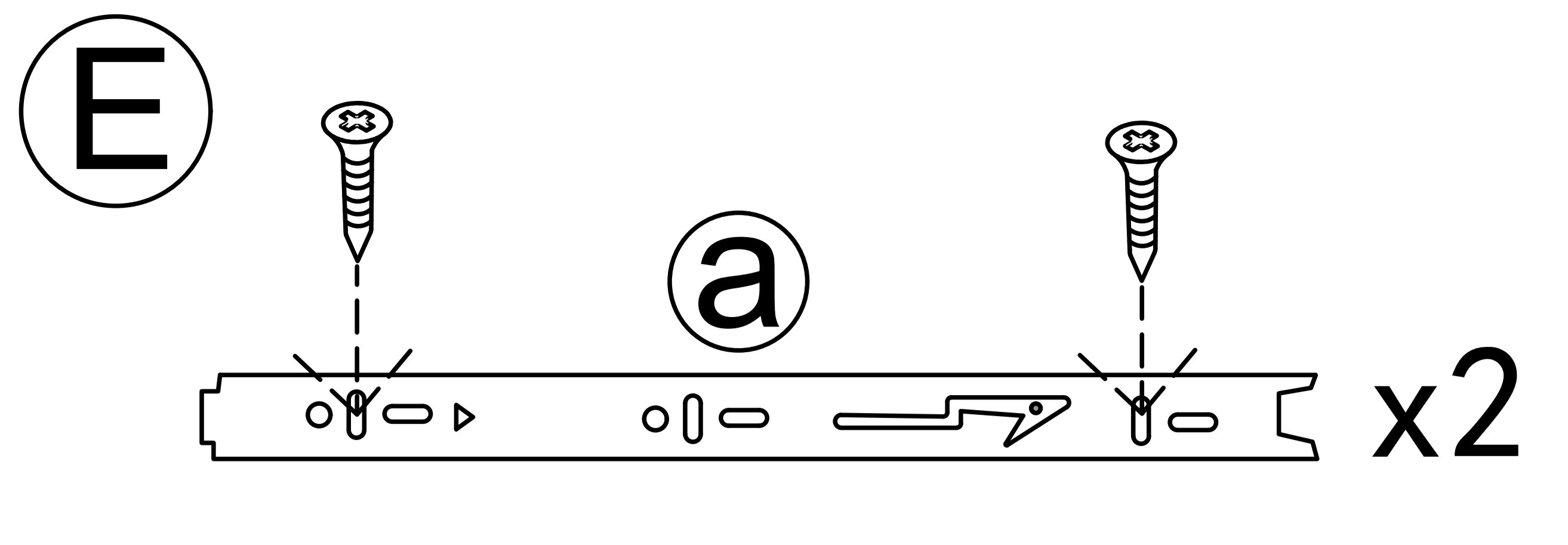
Step 31



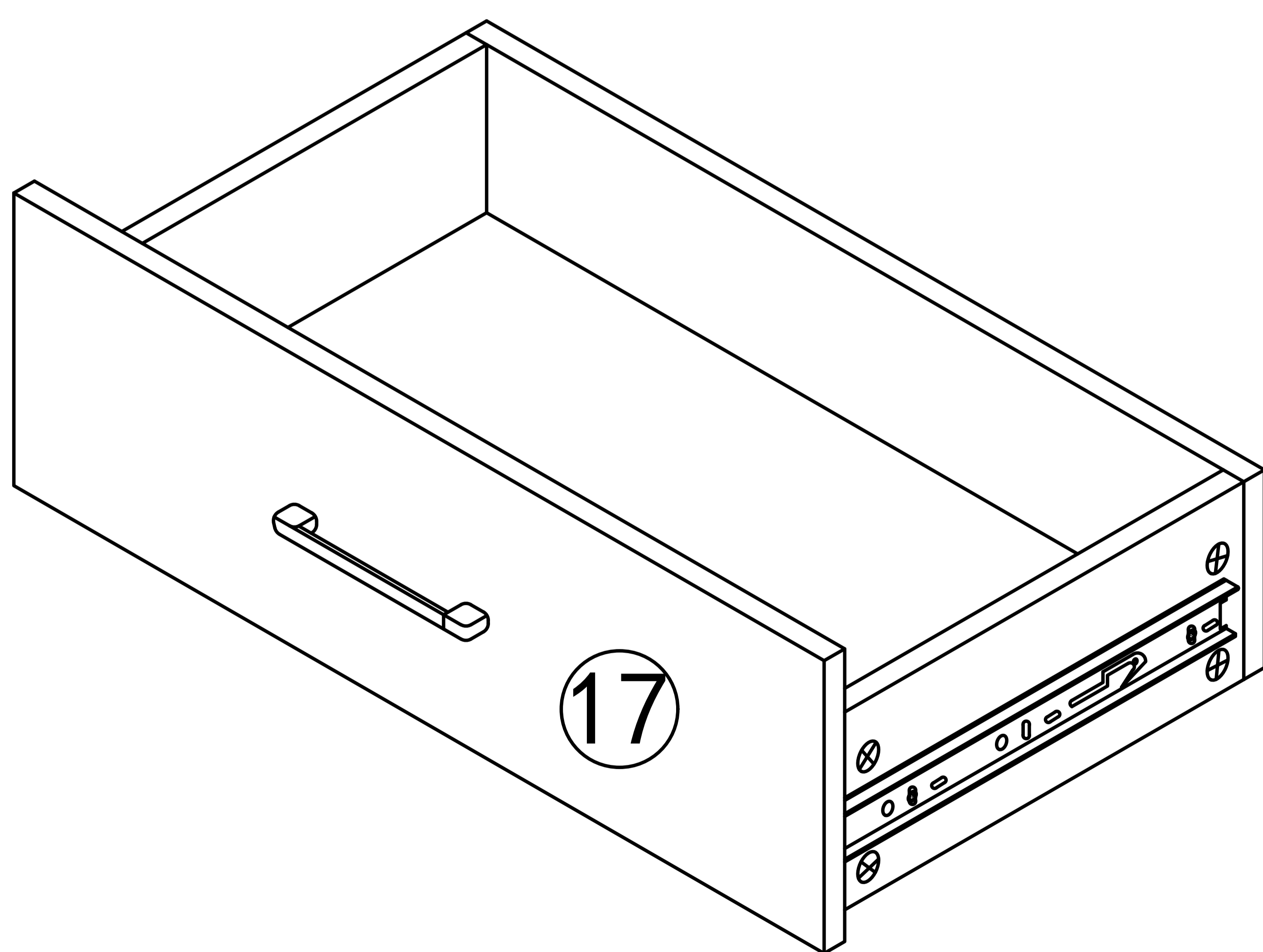
Step 32



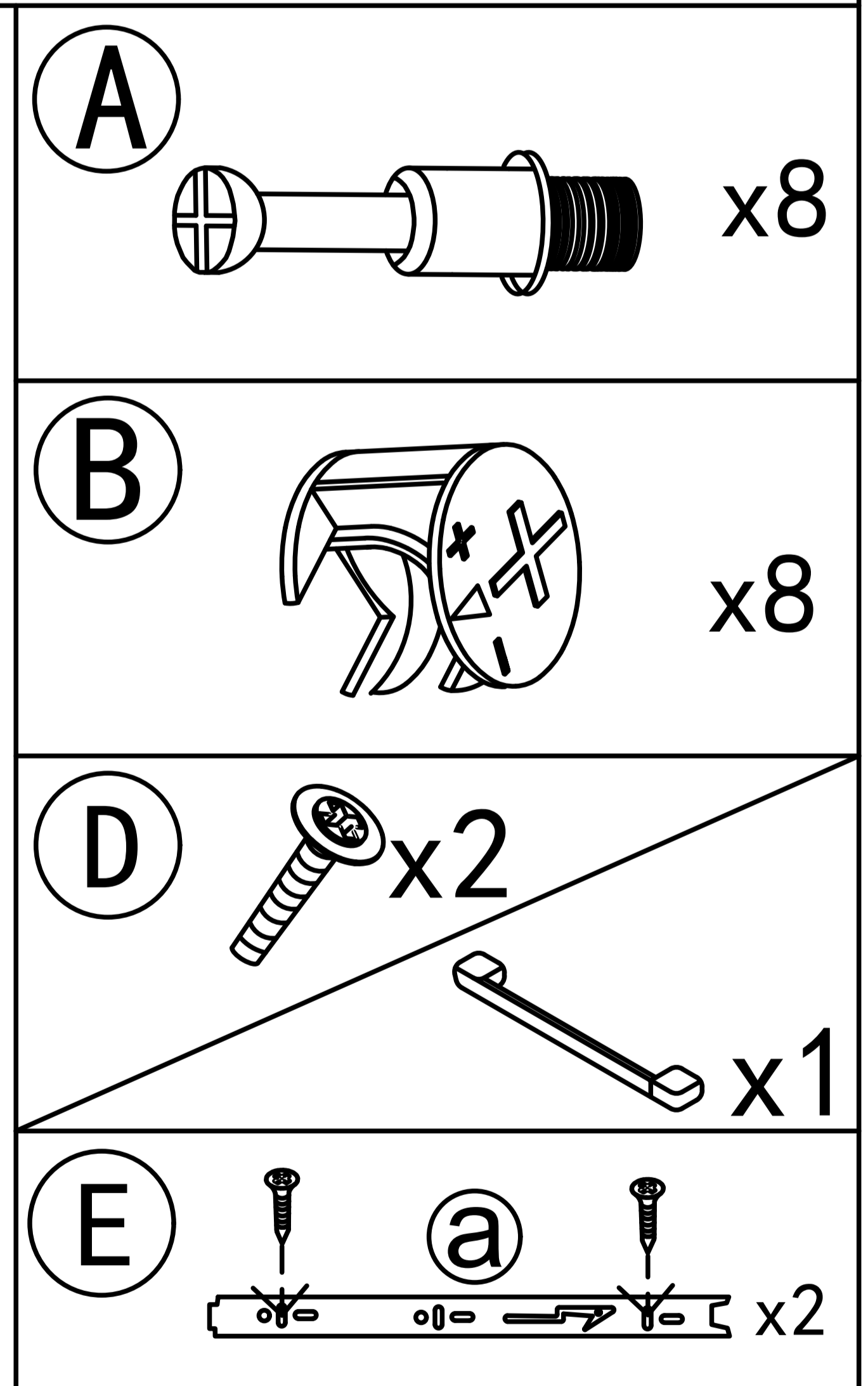
Step 33



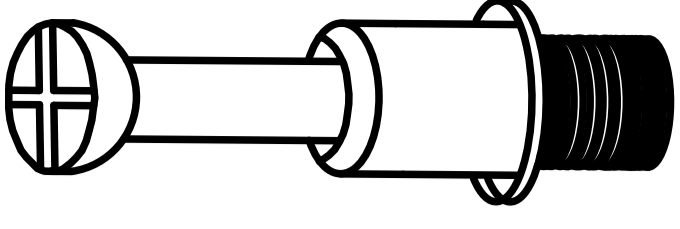
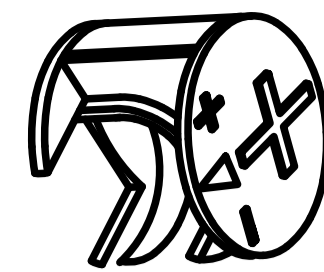
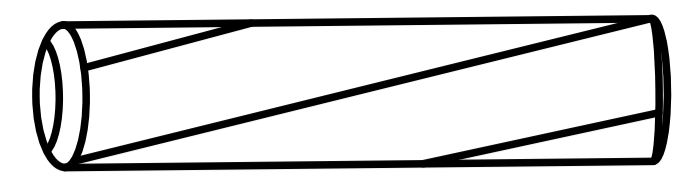
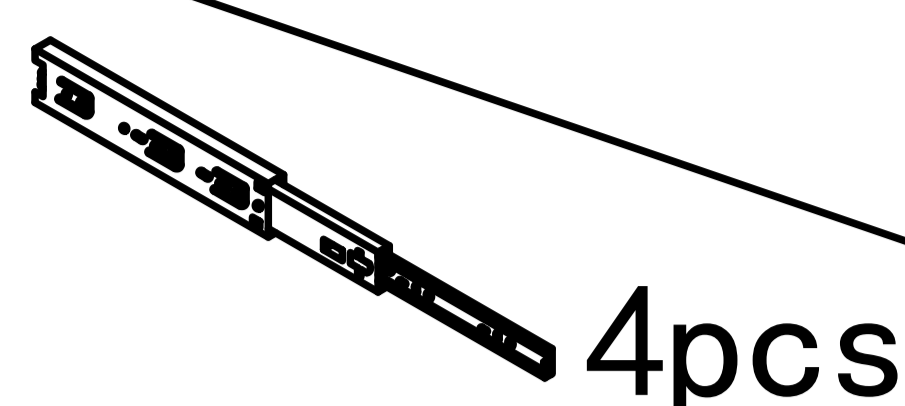

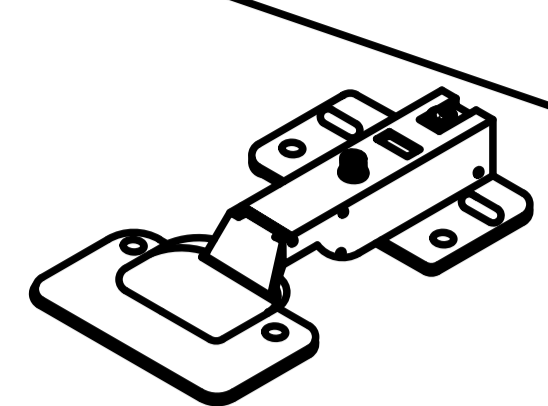
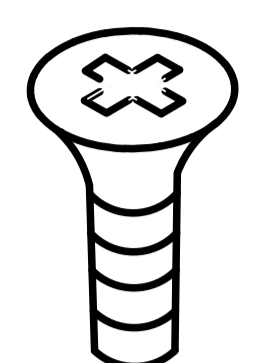
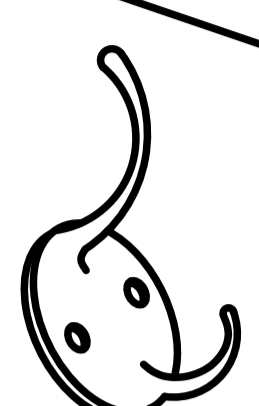
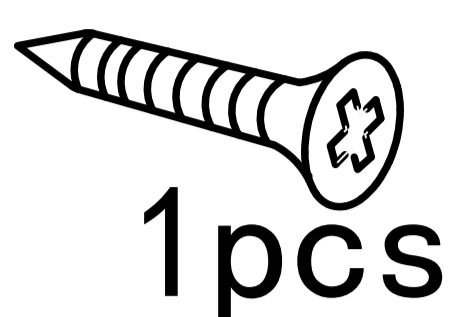
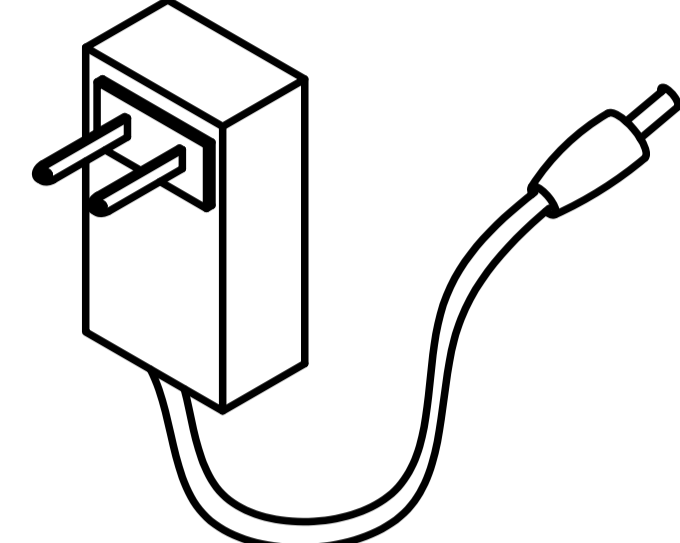
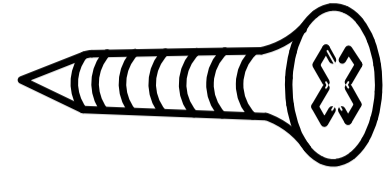
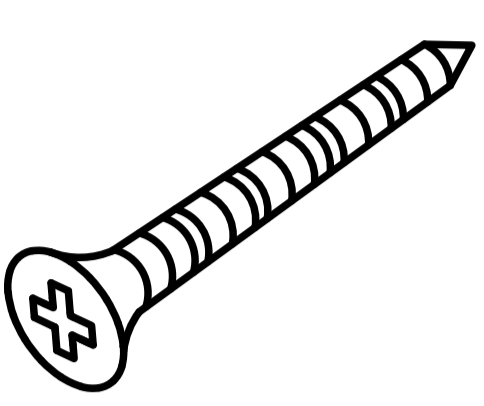
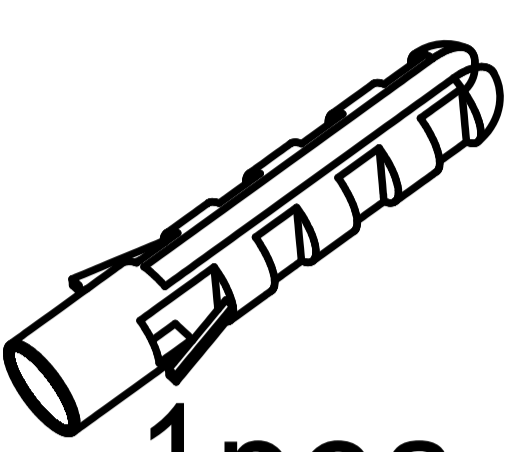
Step 34

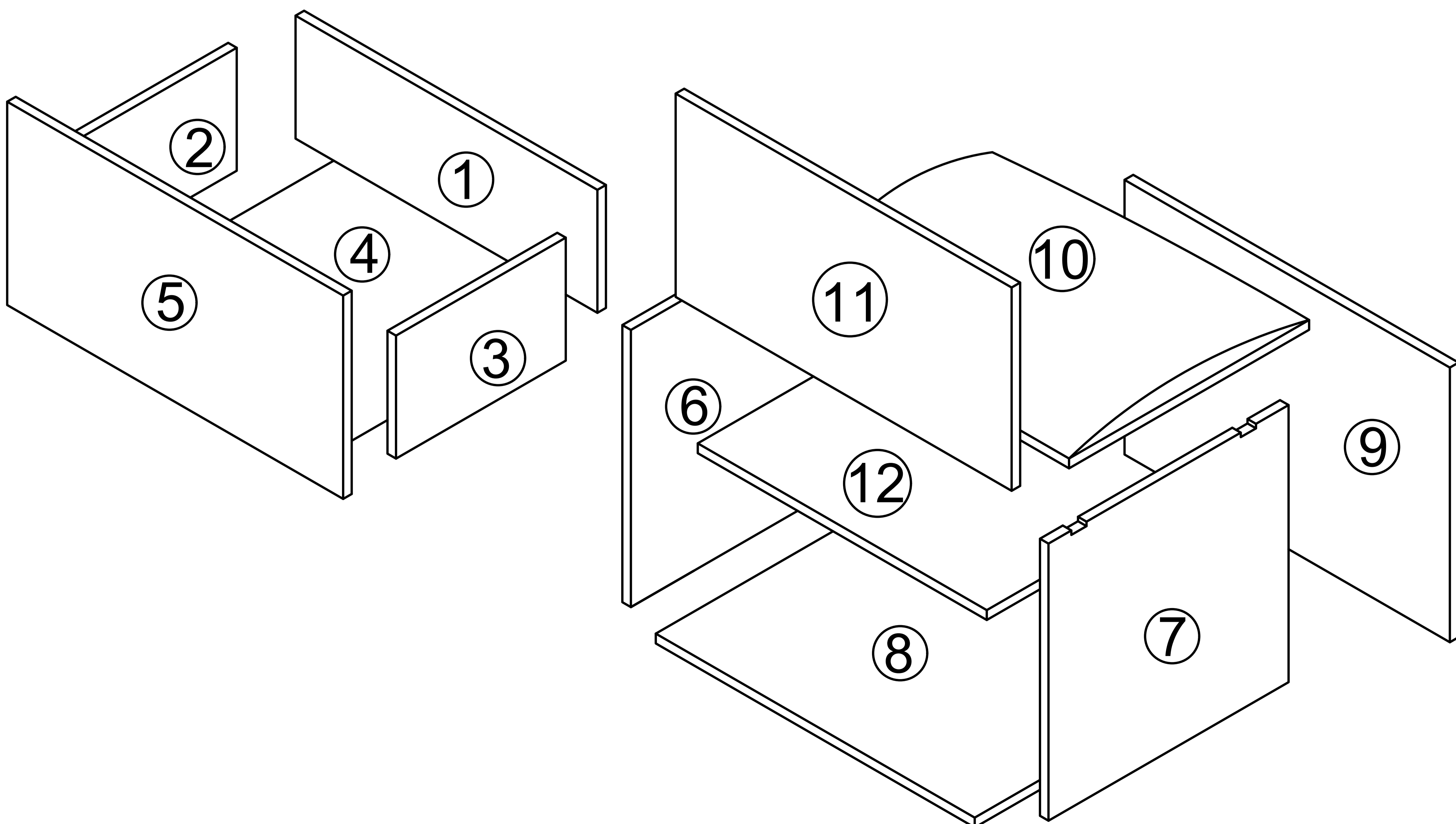
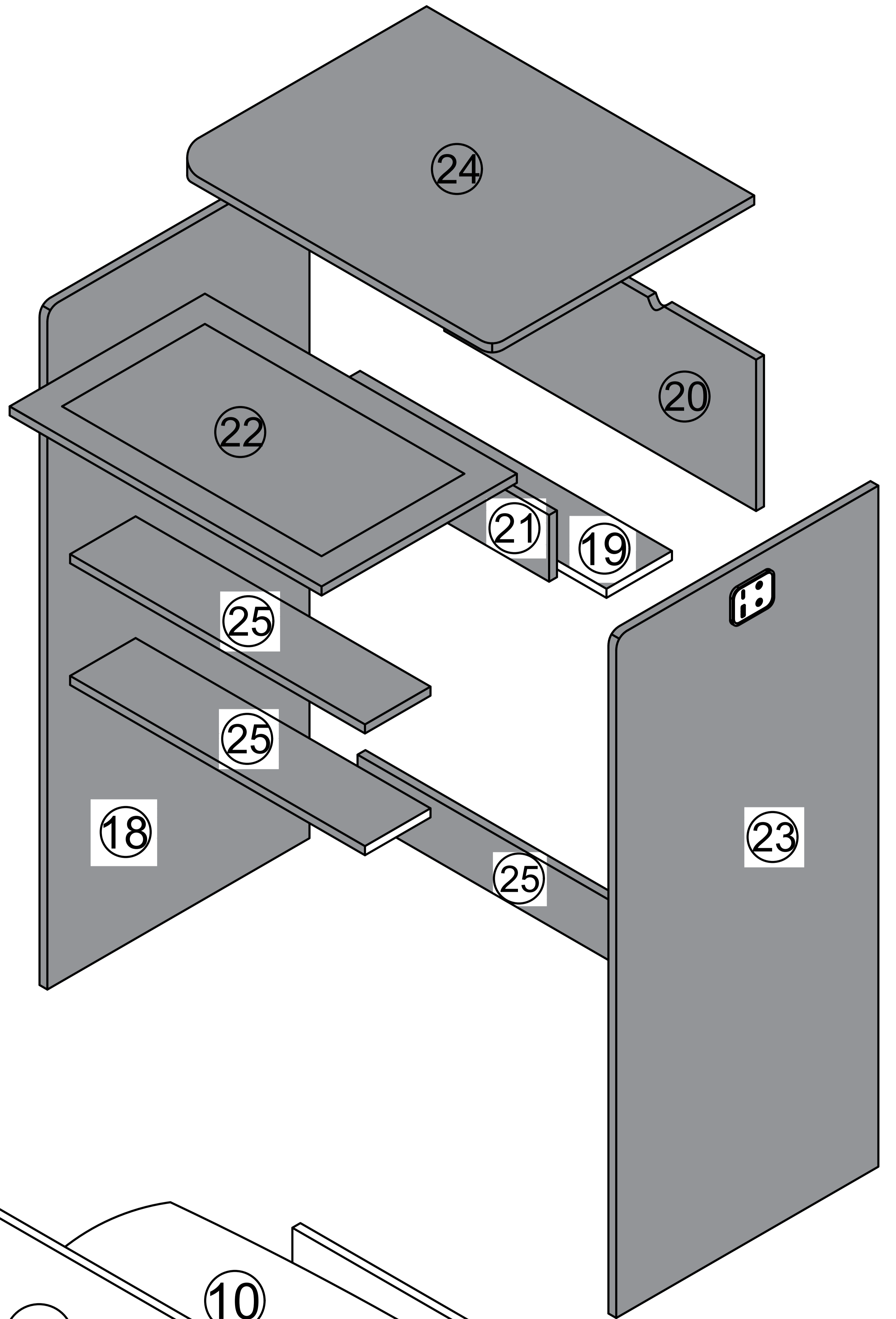
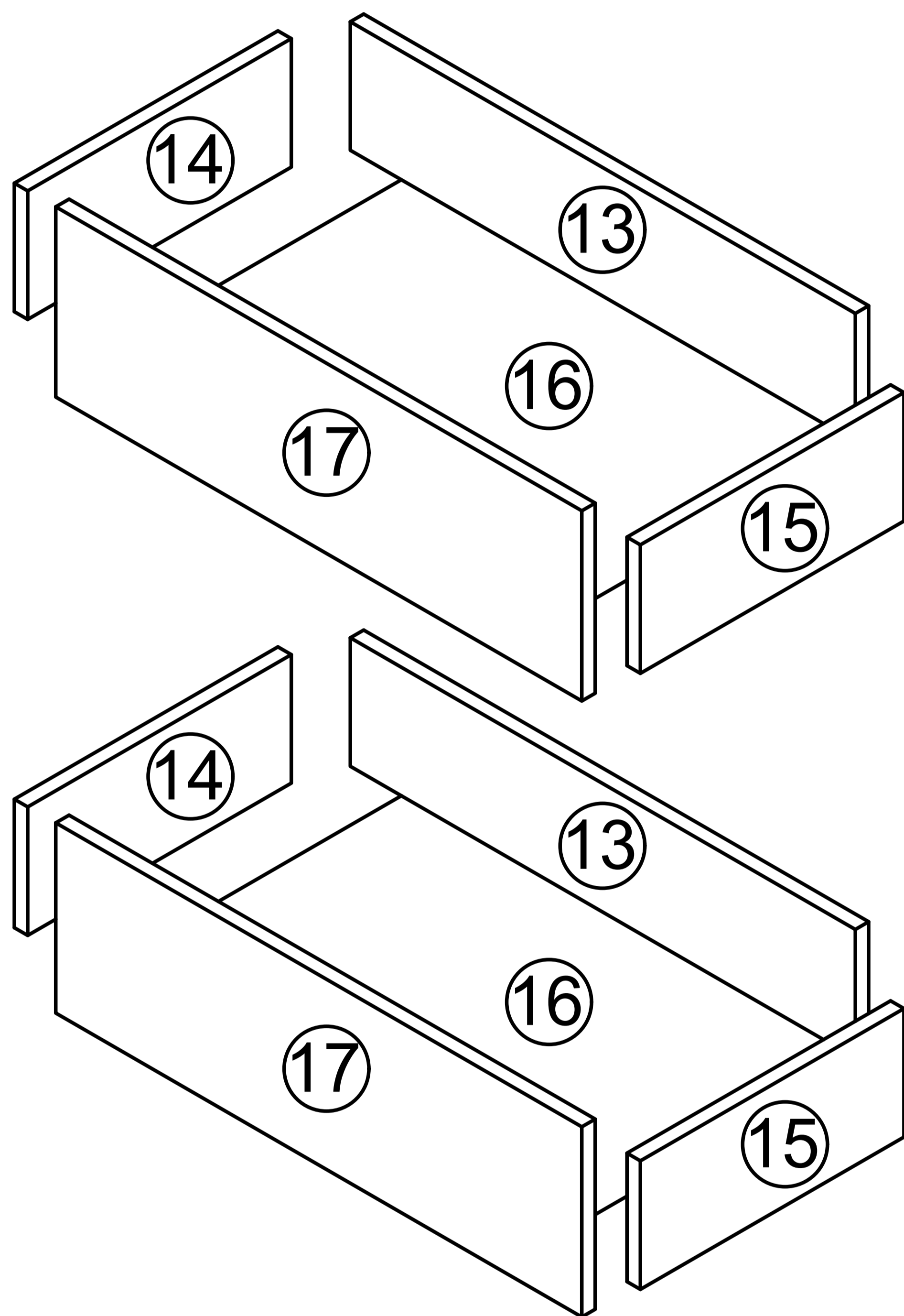


x2

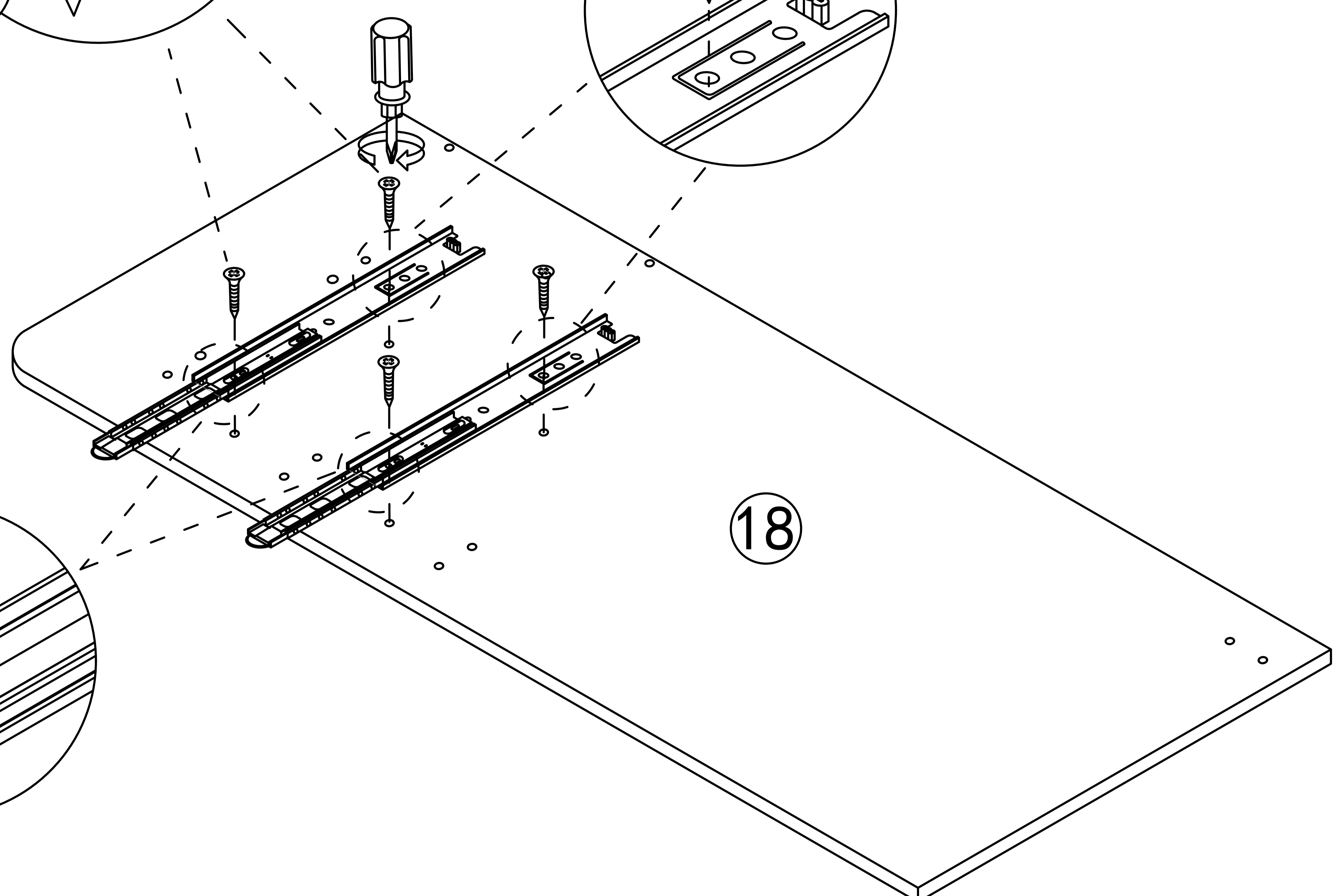
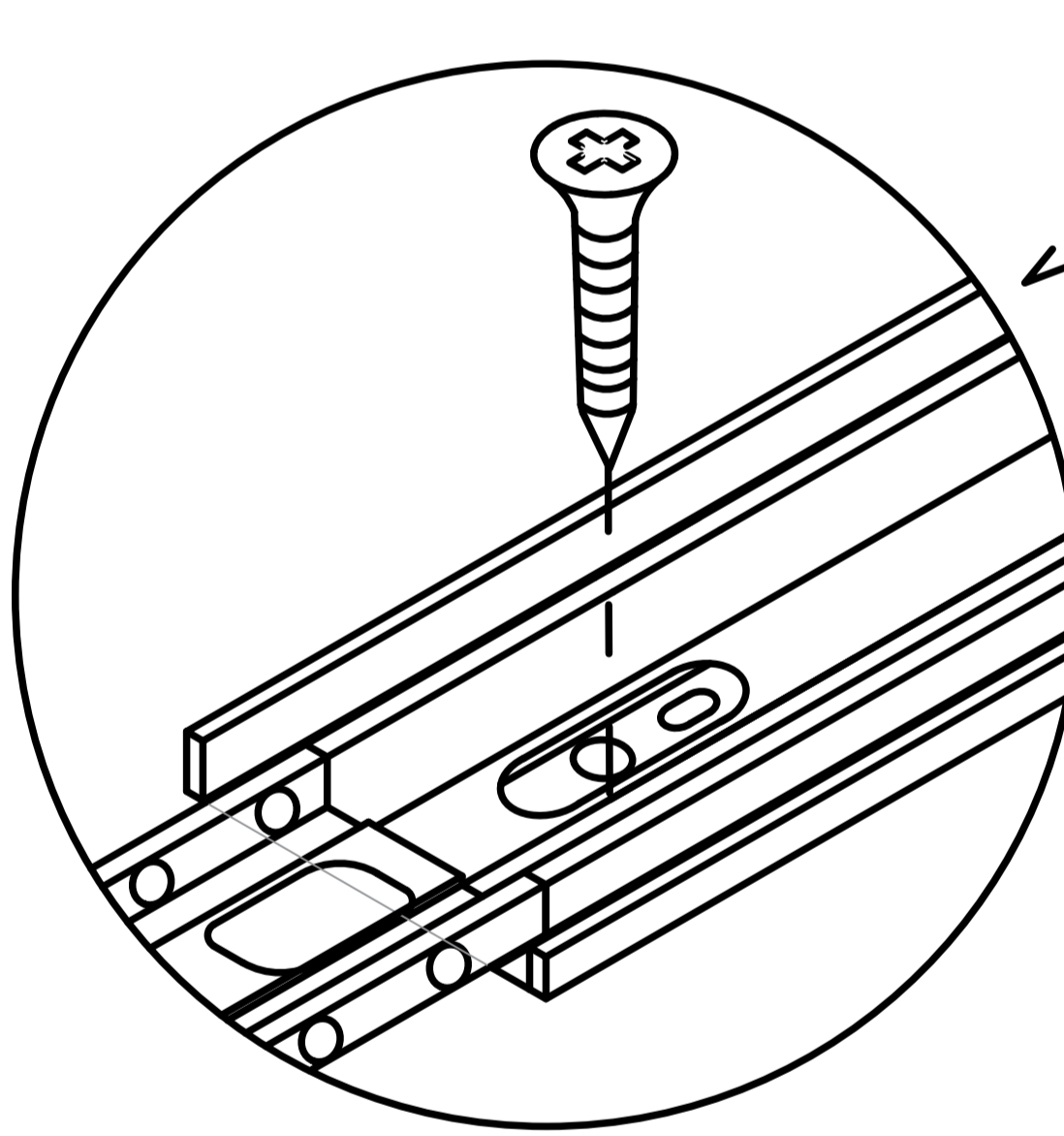
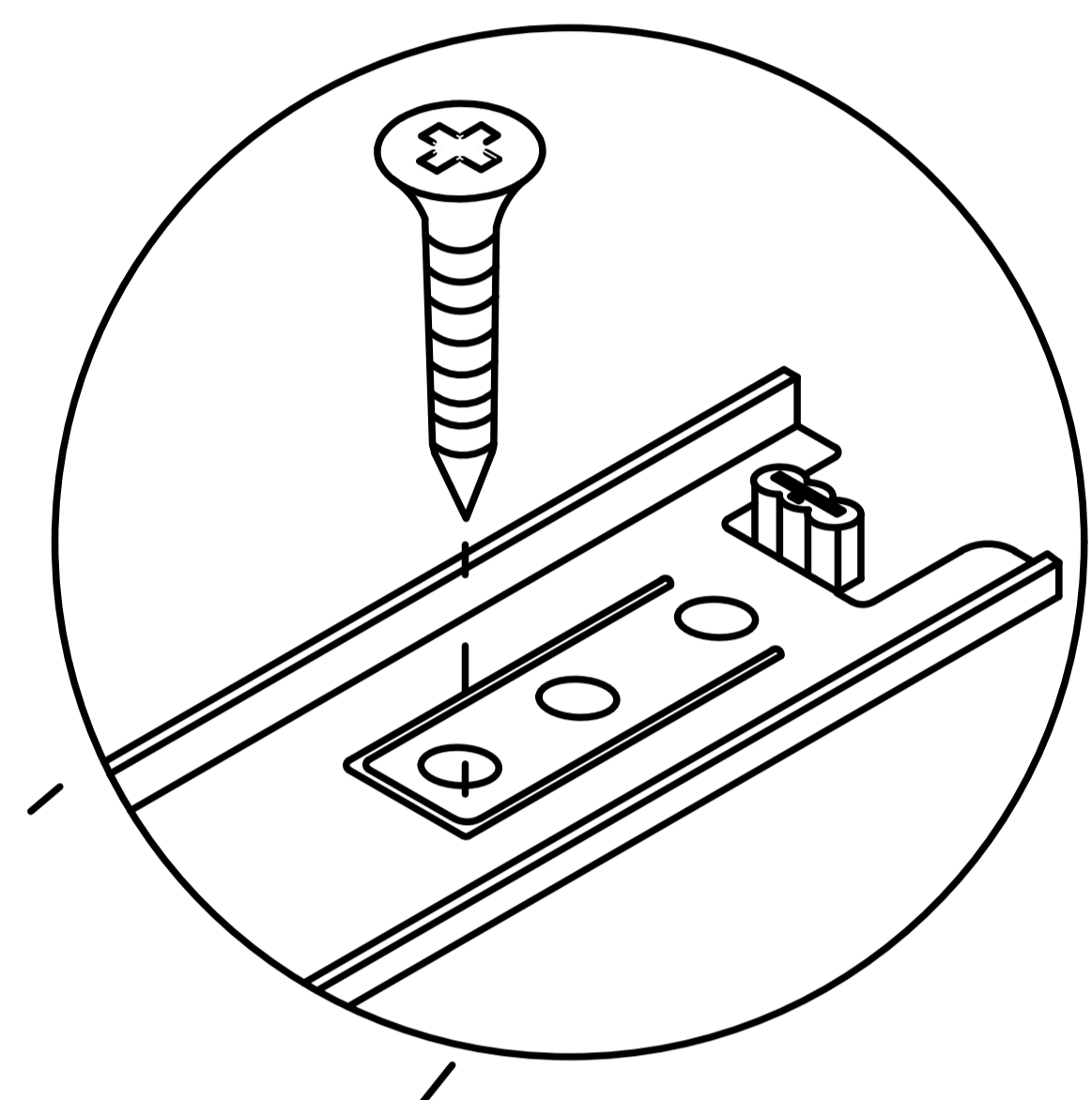
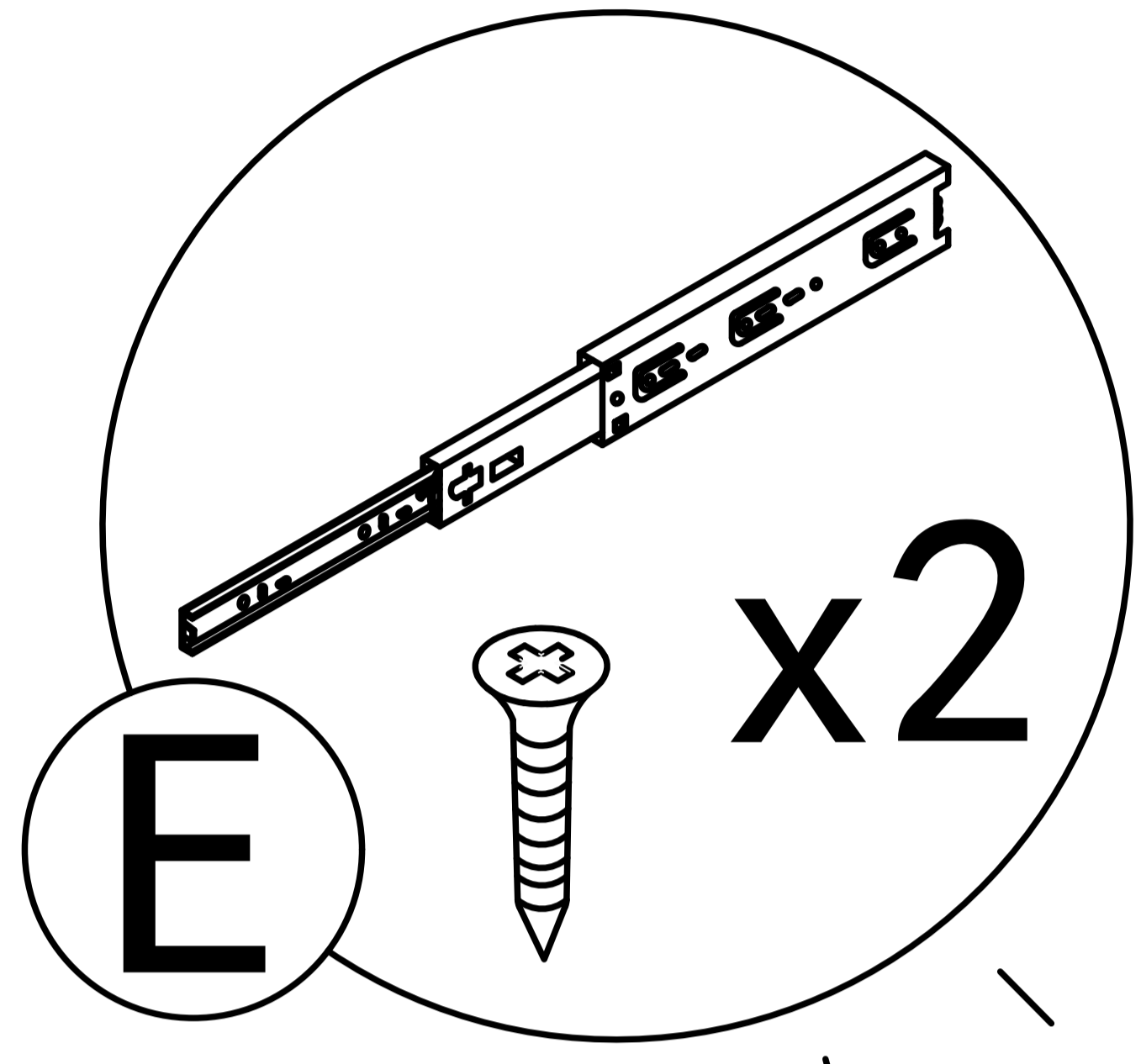
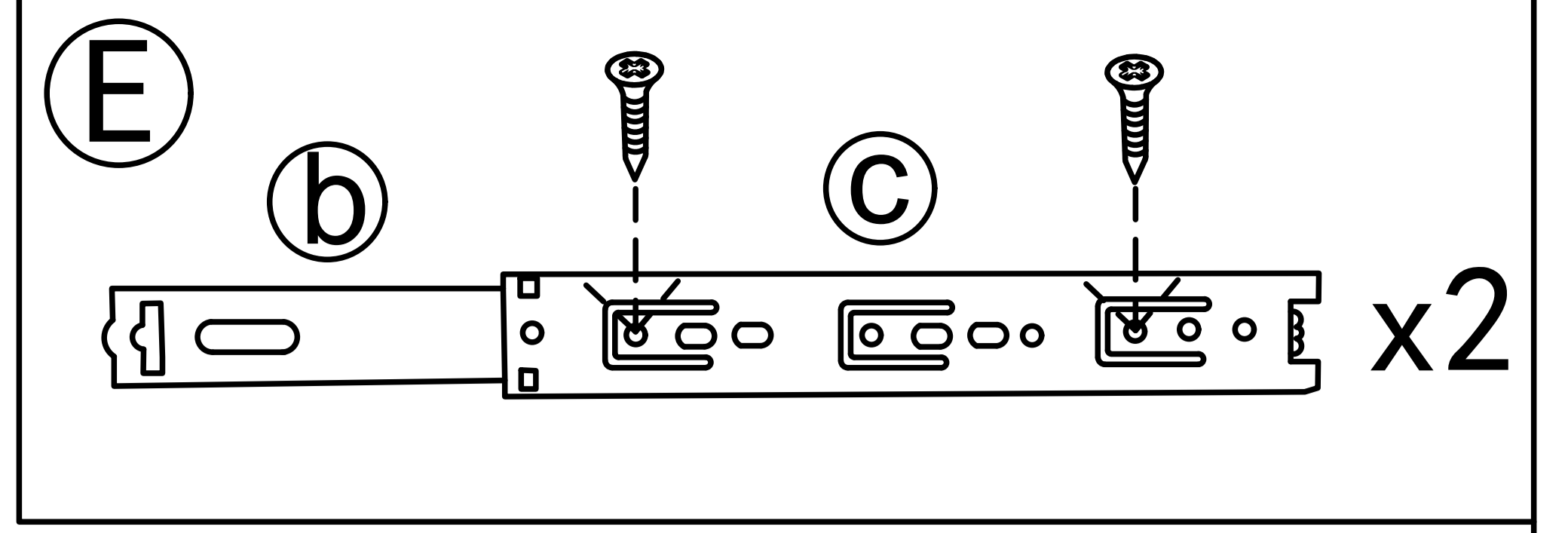


Use the same way to instalthe drawer

A		27pcs	B		27pcs	C		8pcs
E		4pcs	H		12pcs	I		2pcs
J		8pcs	K		1pcs	L		2pcs
		1pcs			2pcs			1pcs

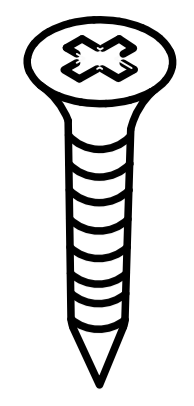


Step 35

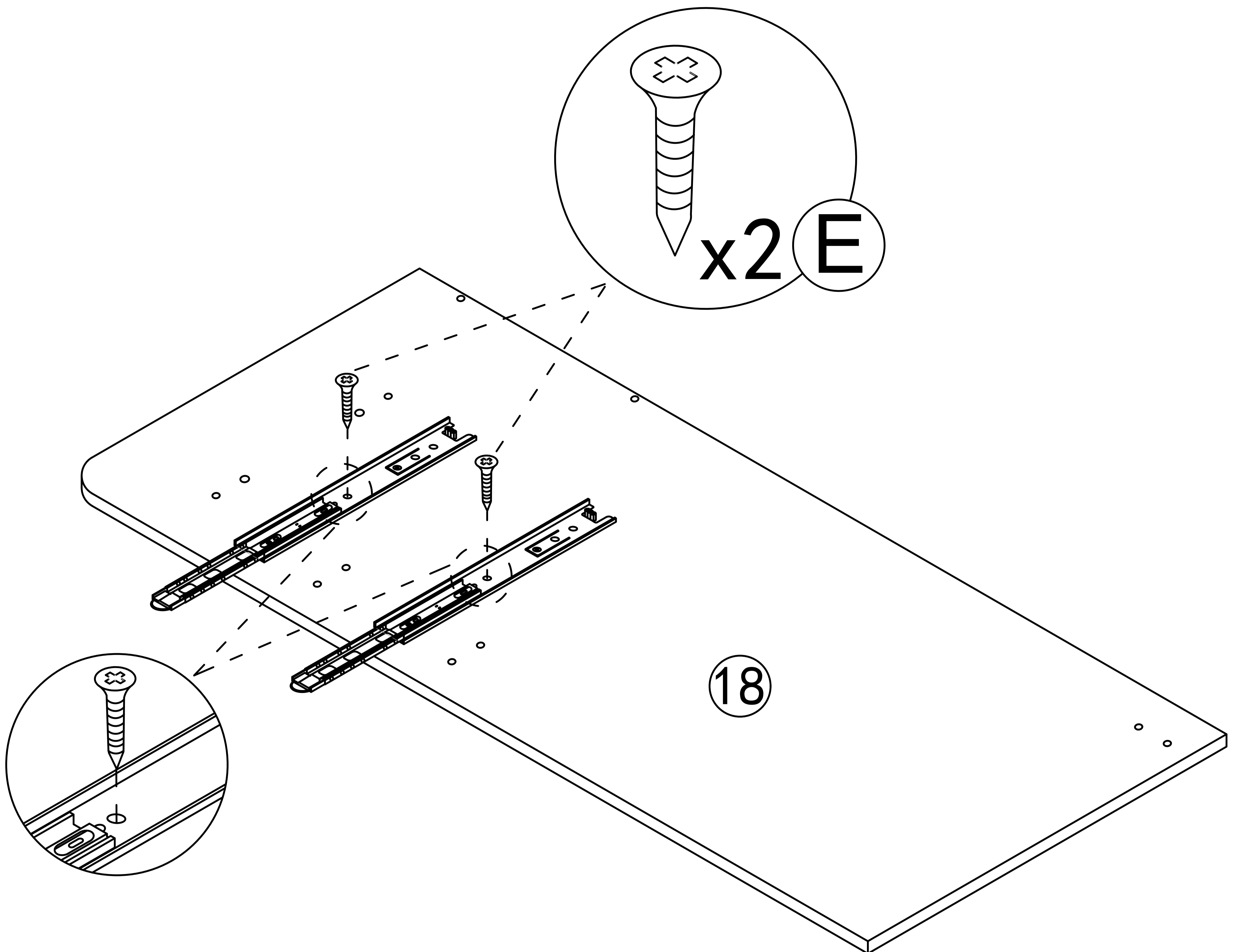


Step 36

ⓔ

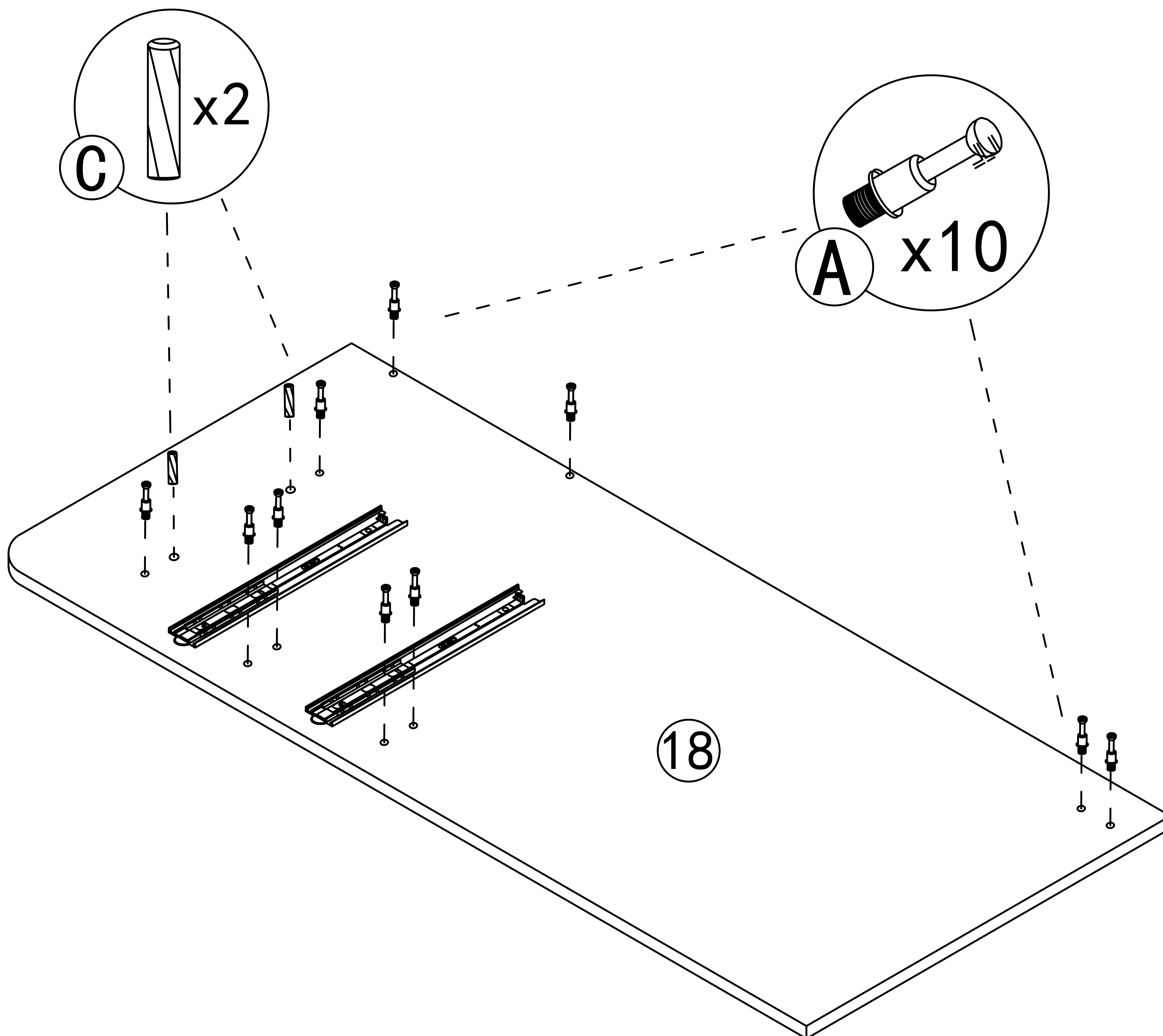
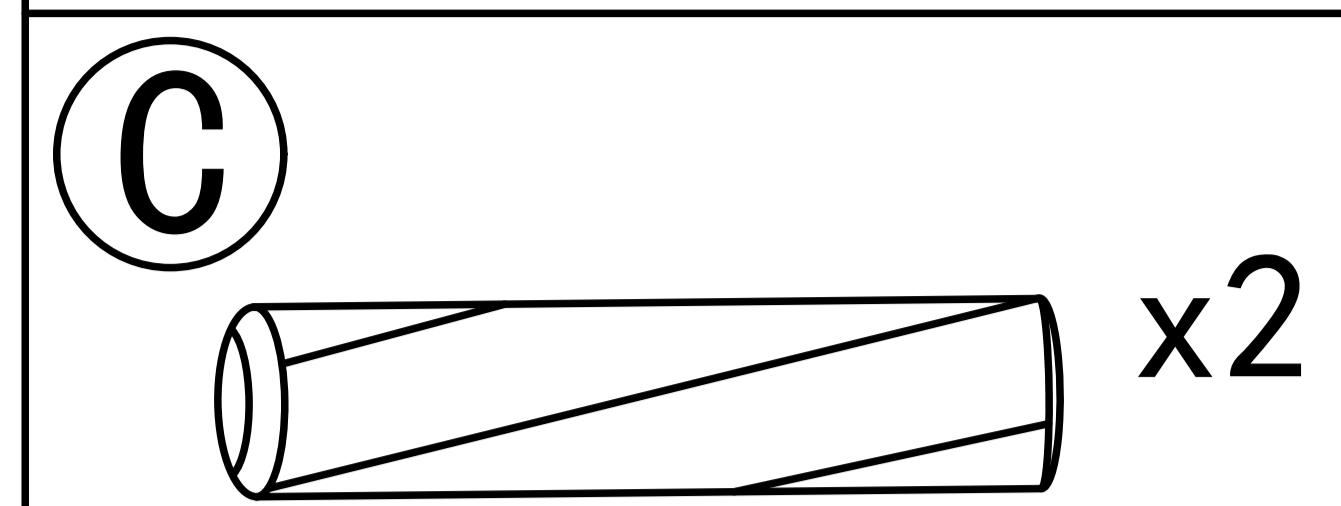
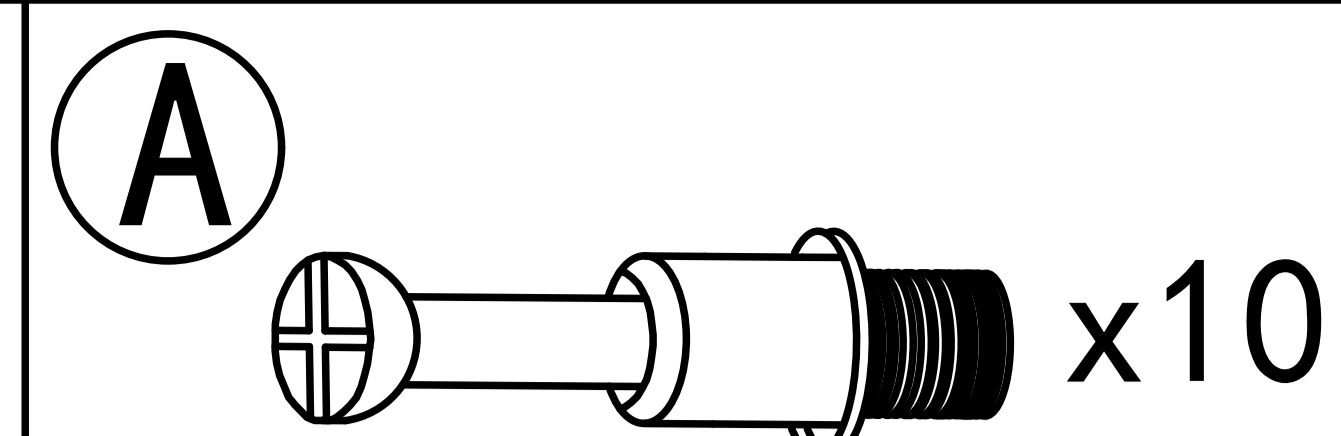


x2

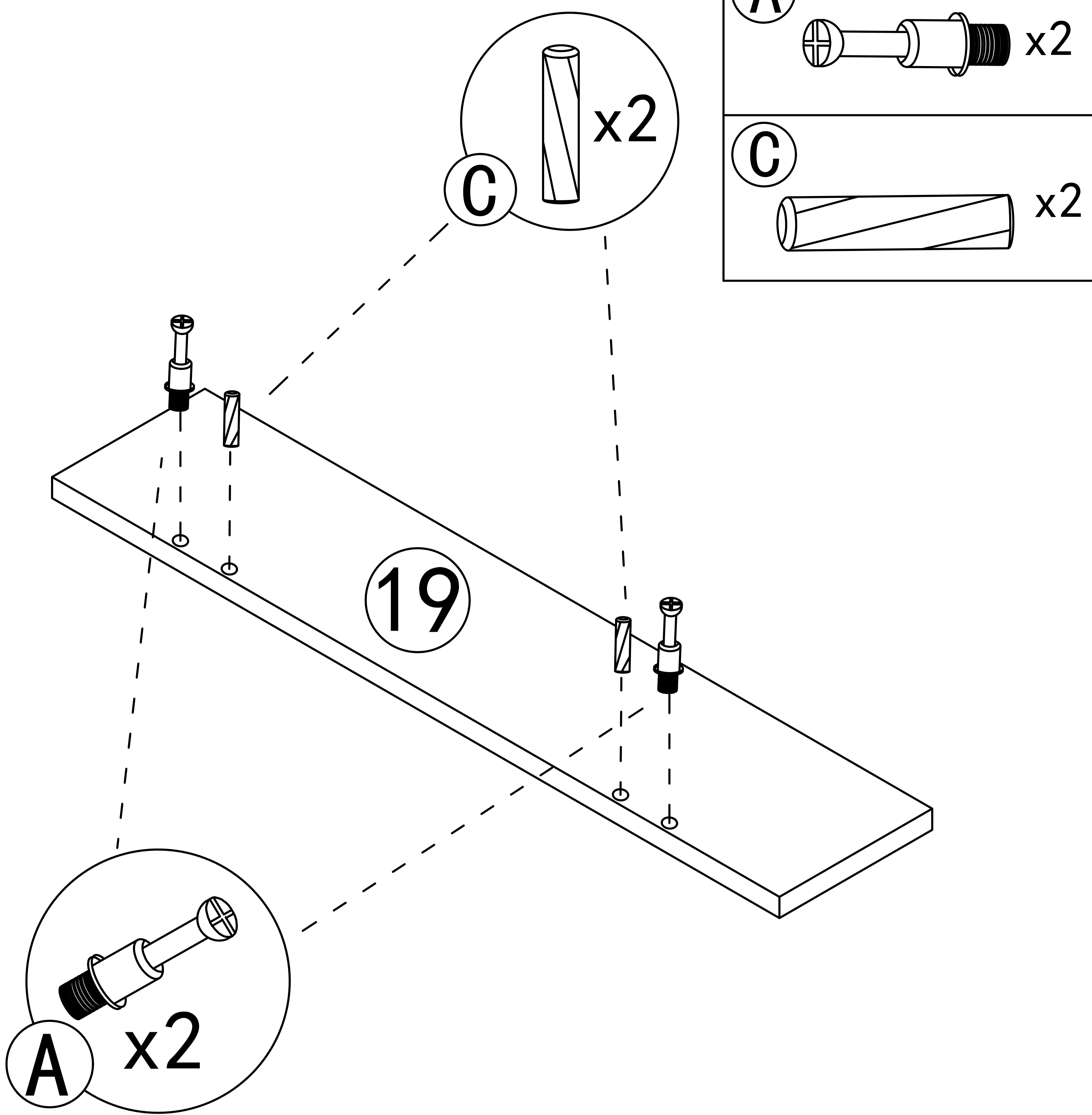
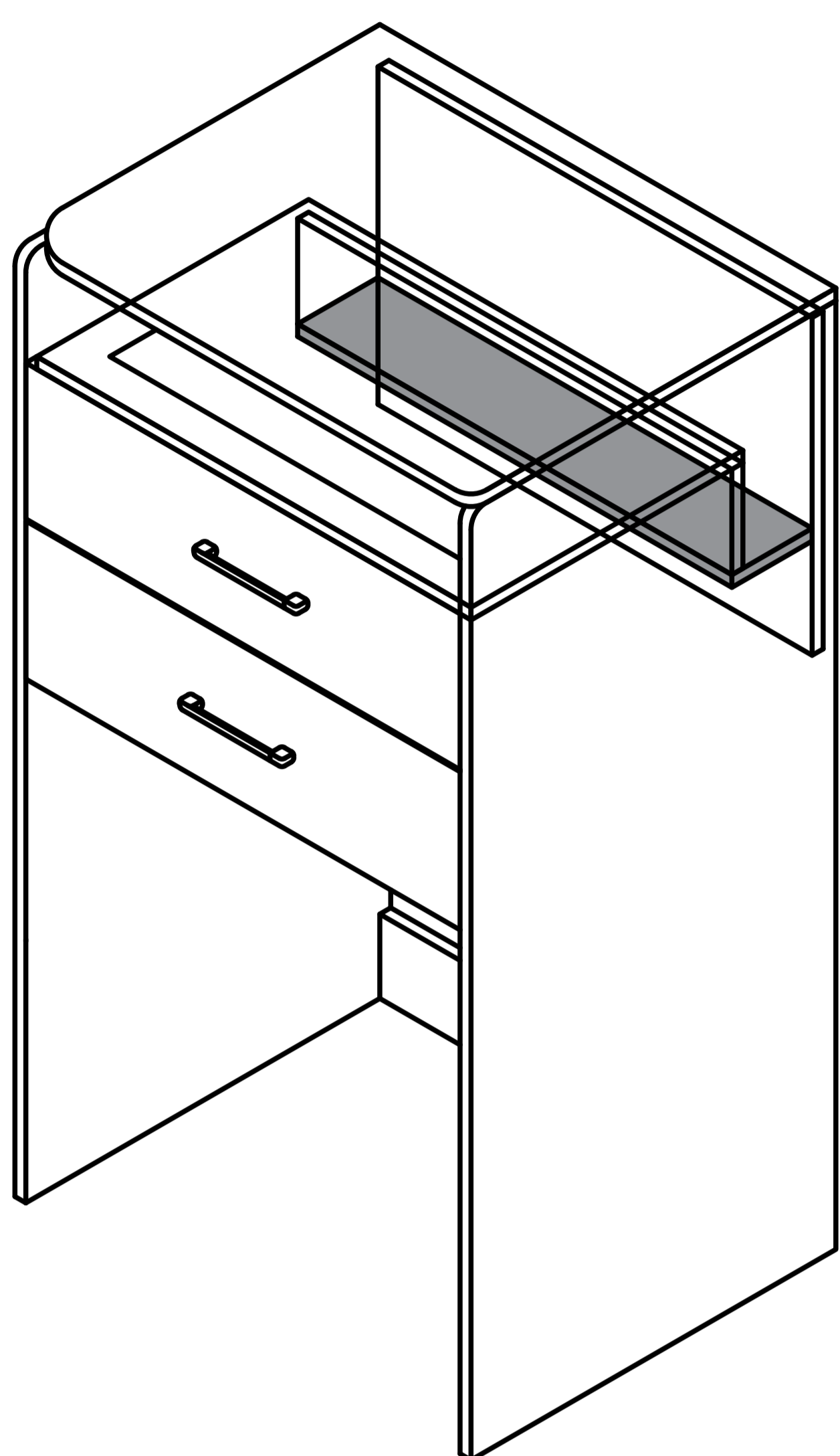


This hole is for strengthening fixed hole customers can choose to install according to their needs.

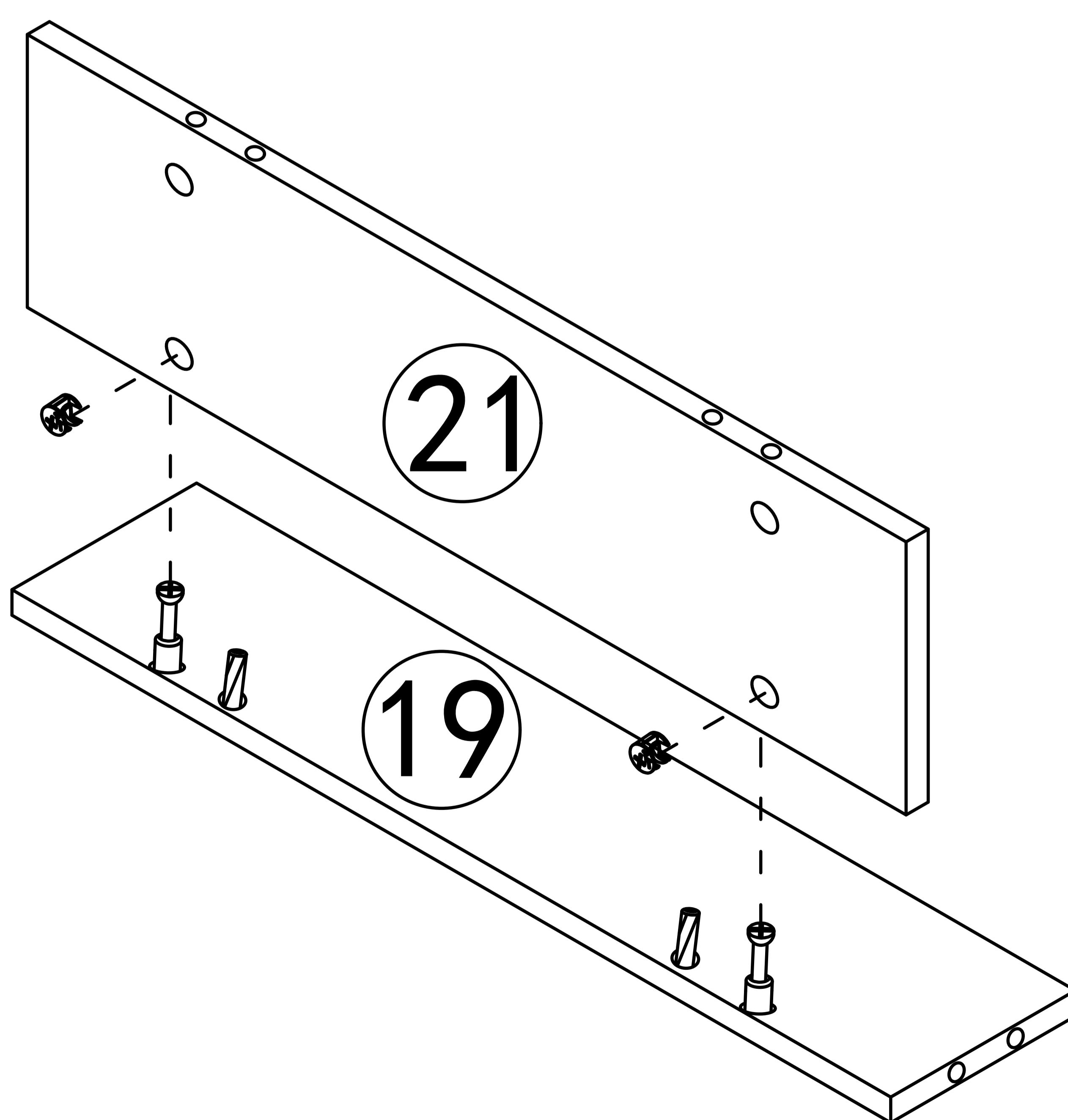
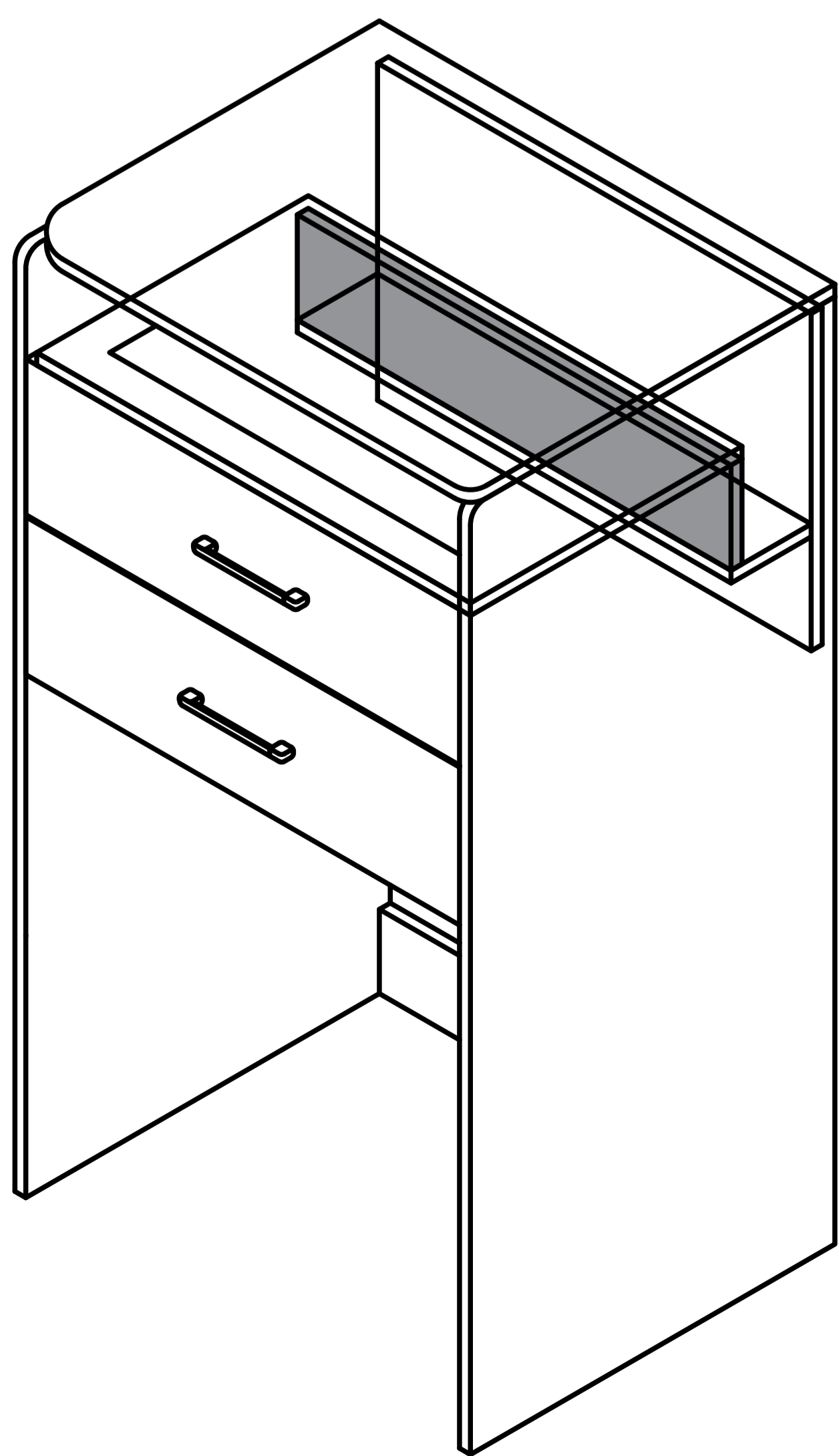
Step 37



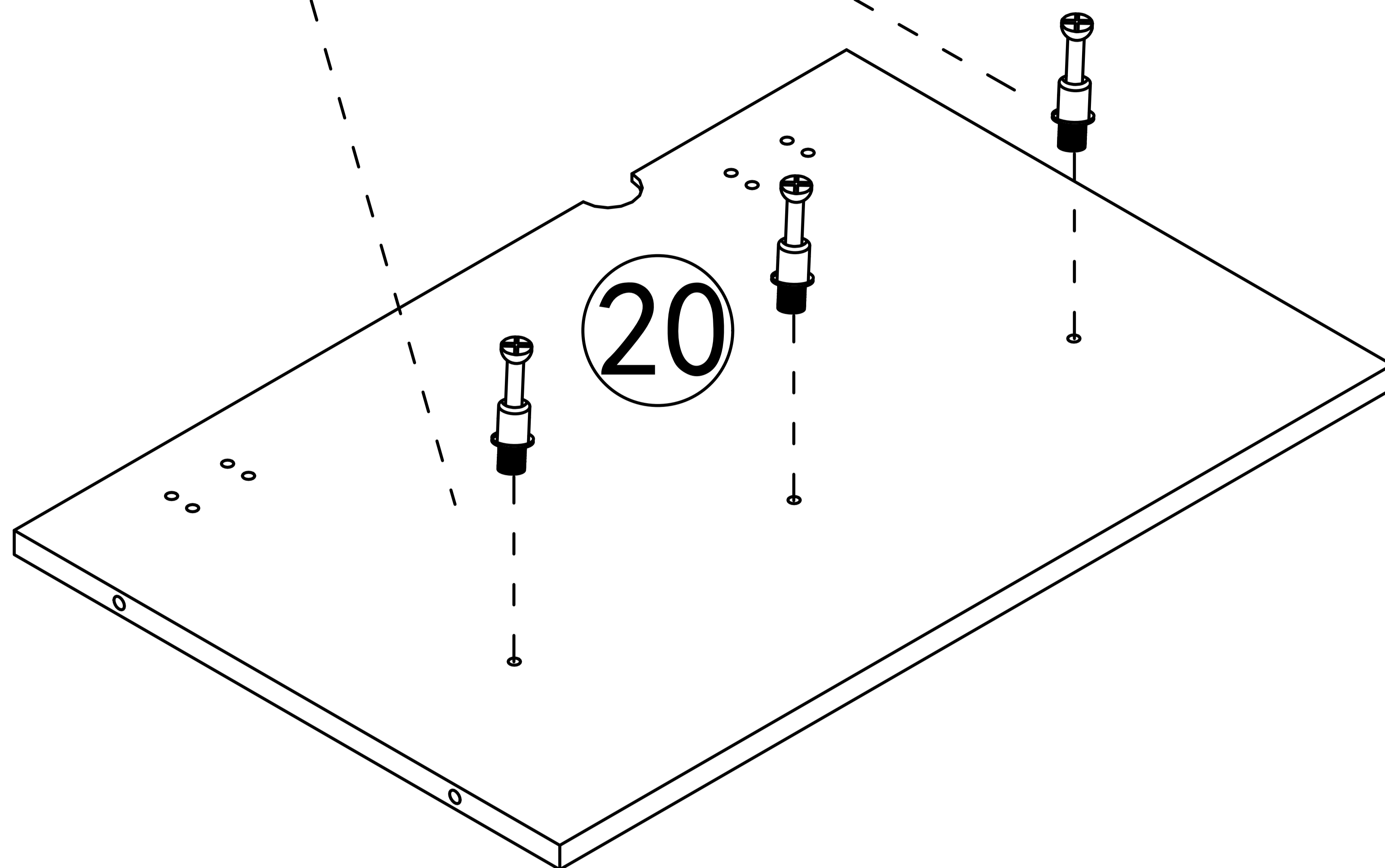
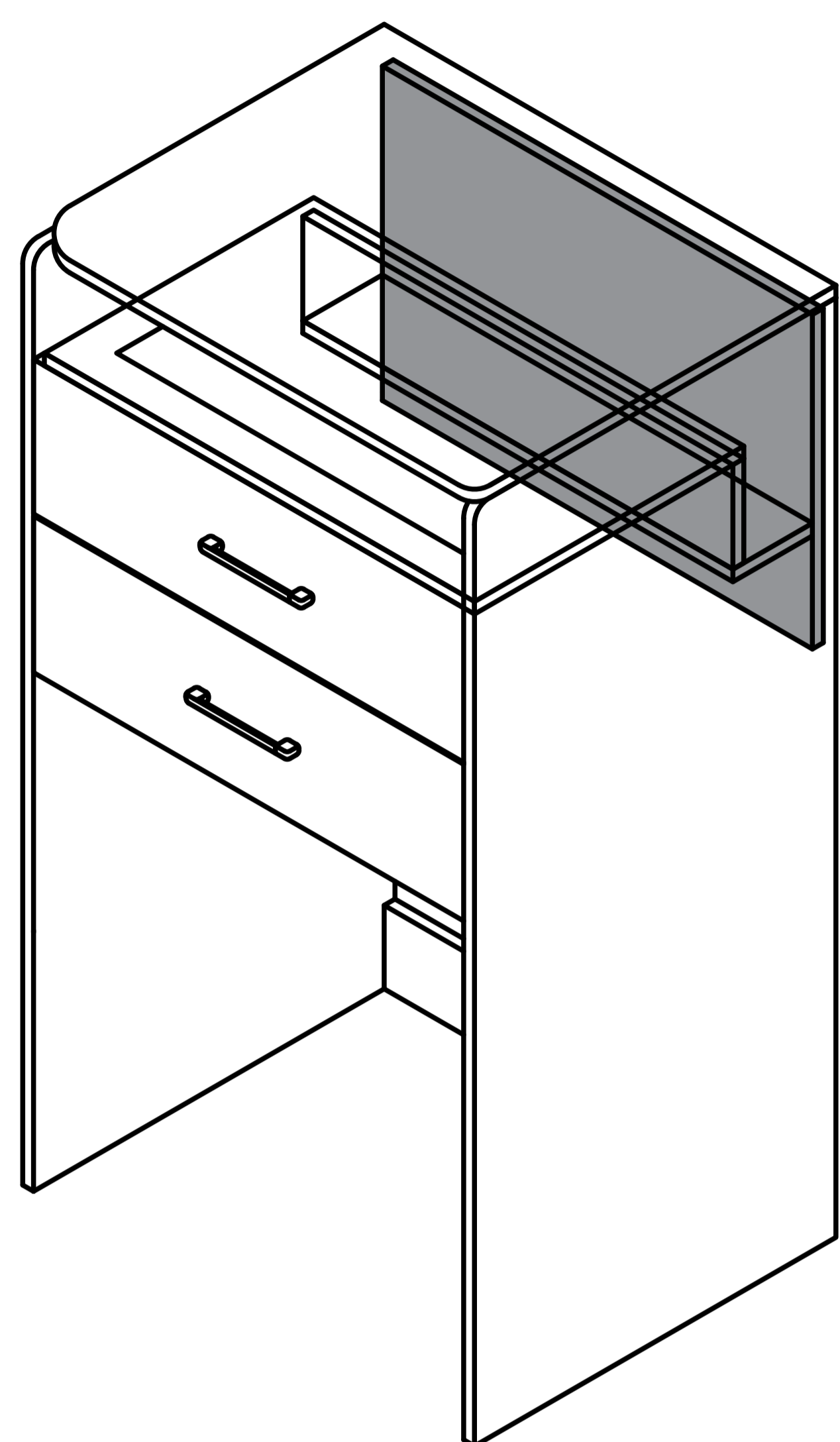
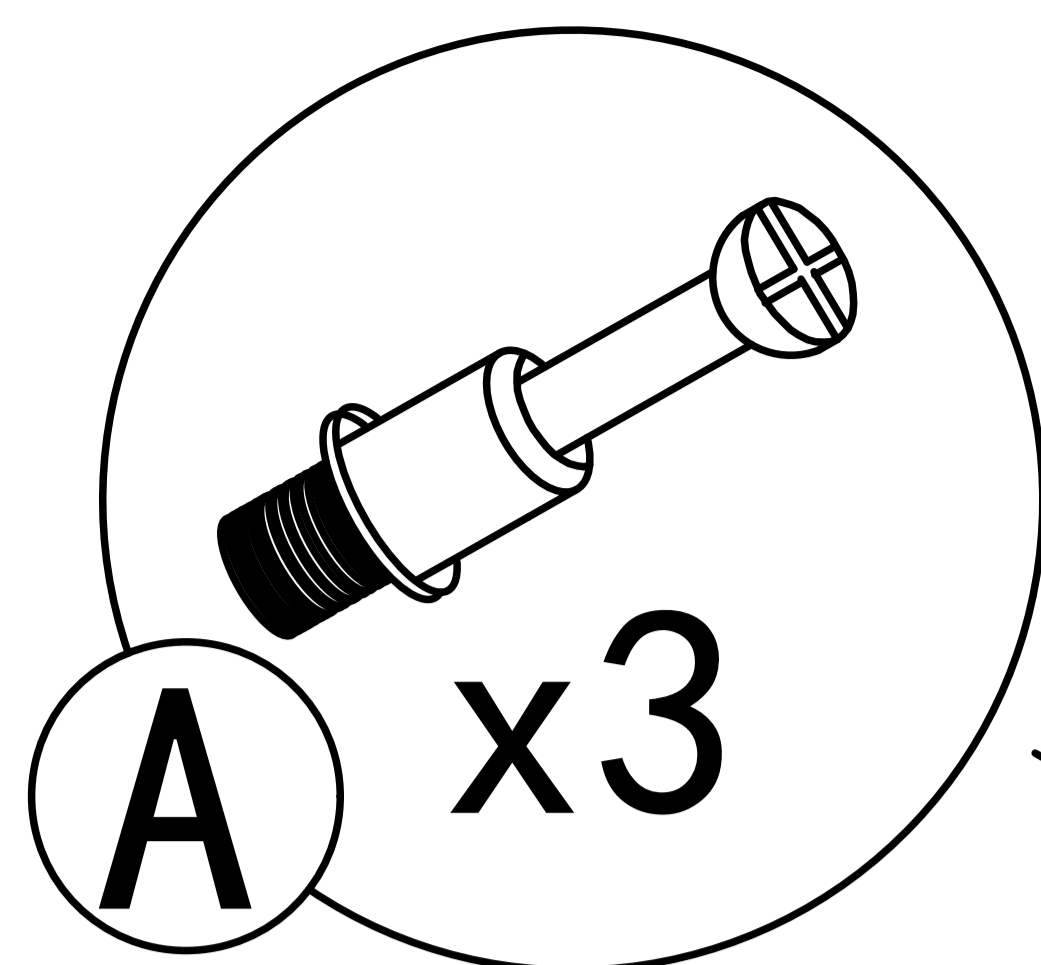
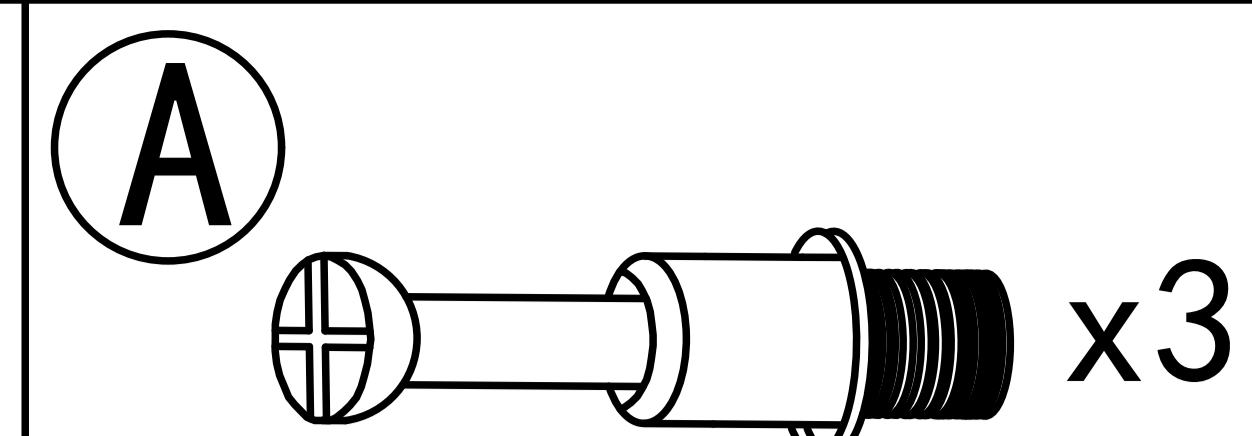
Step 38



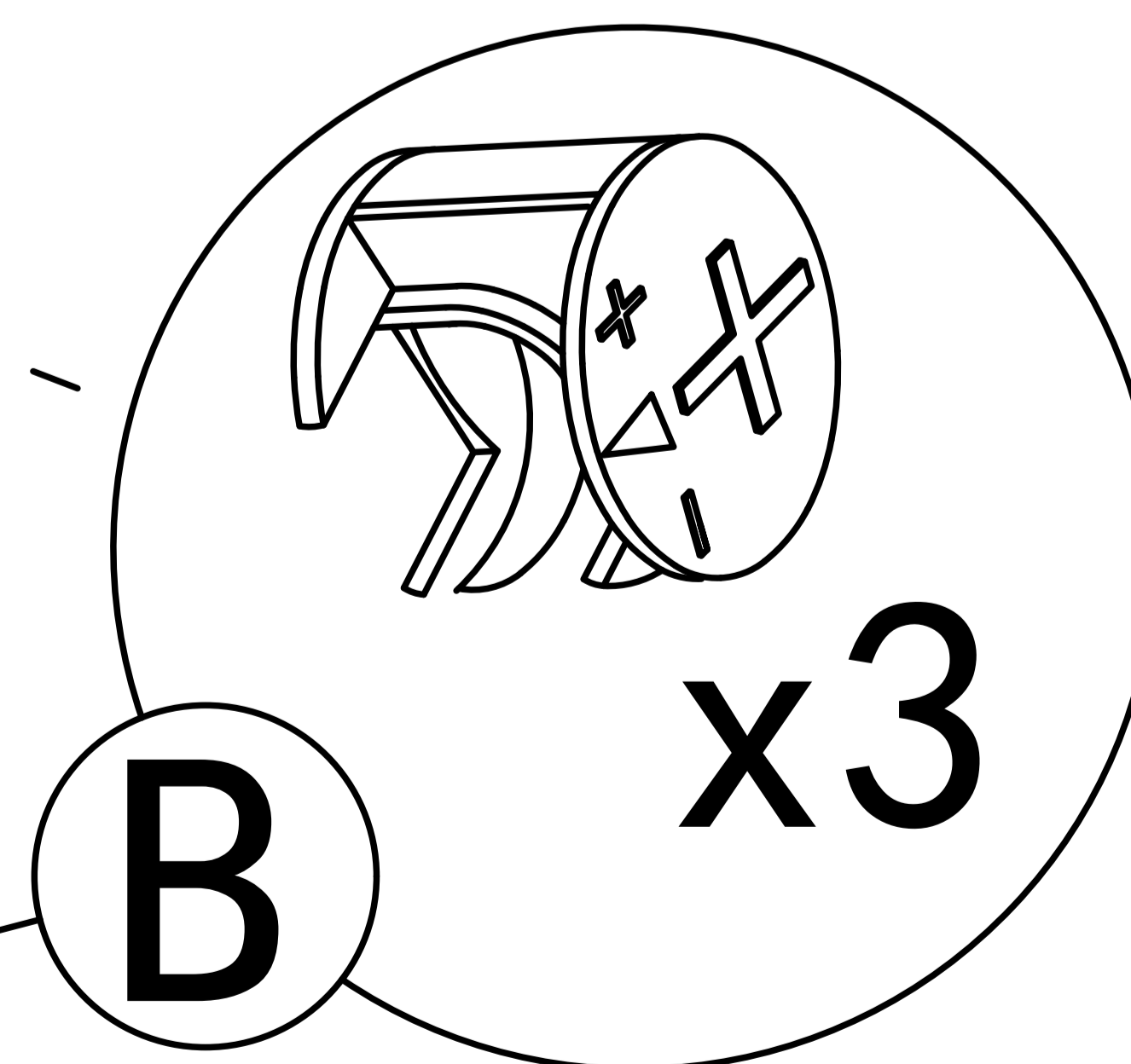
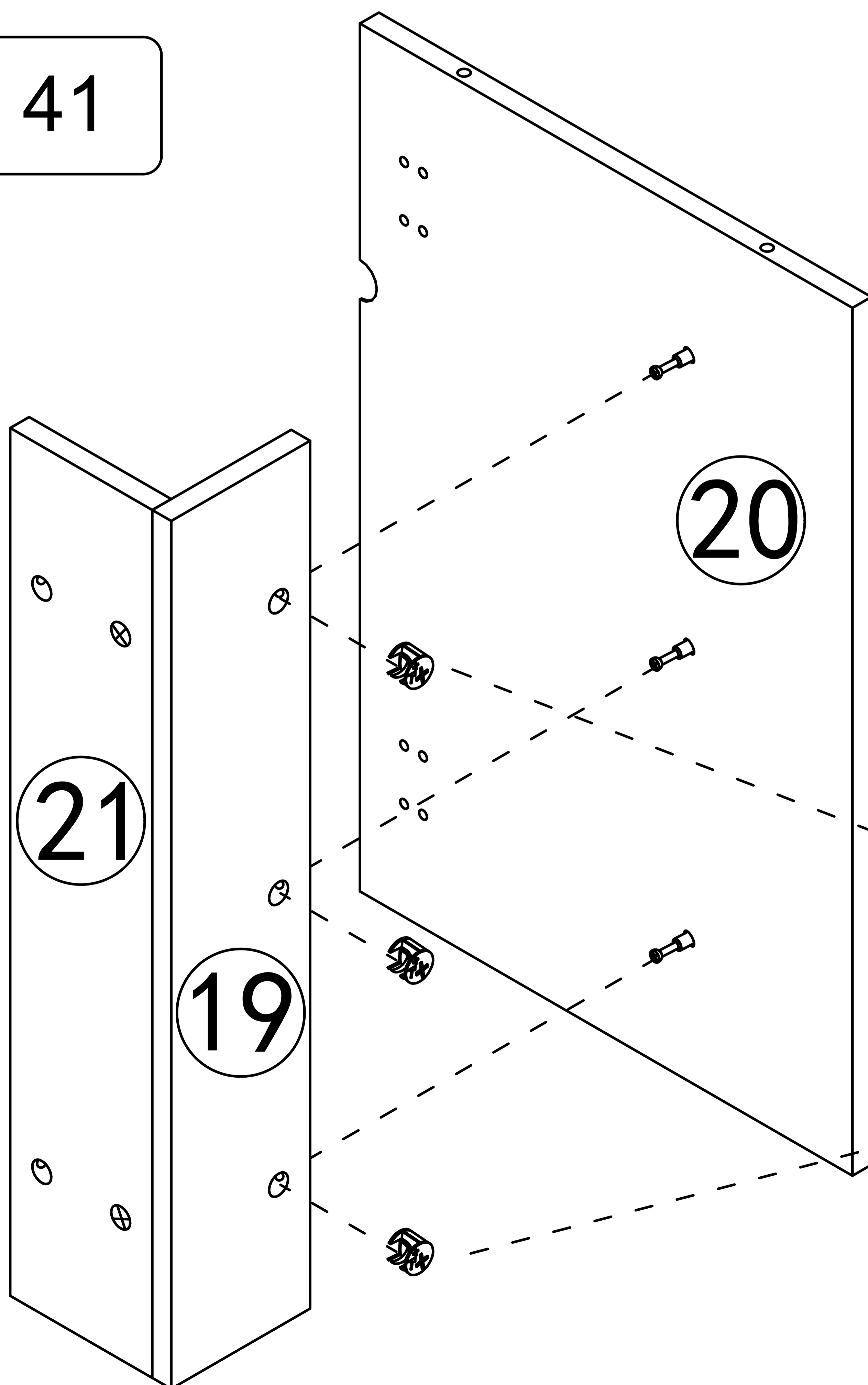
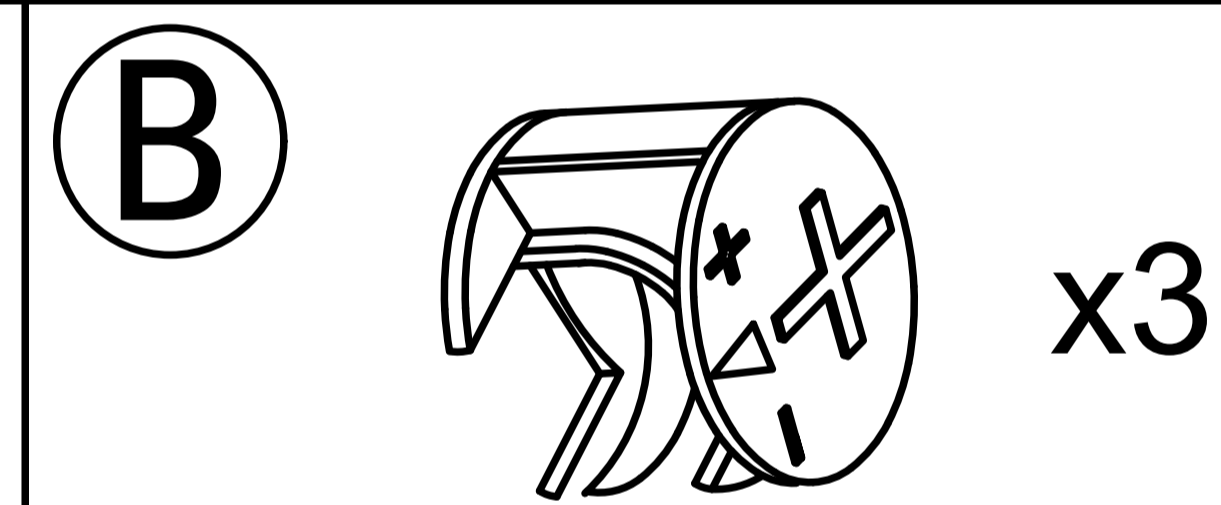
Step 39



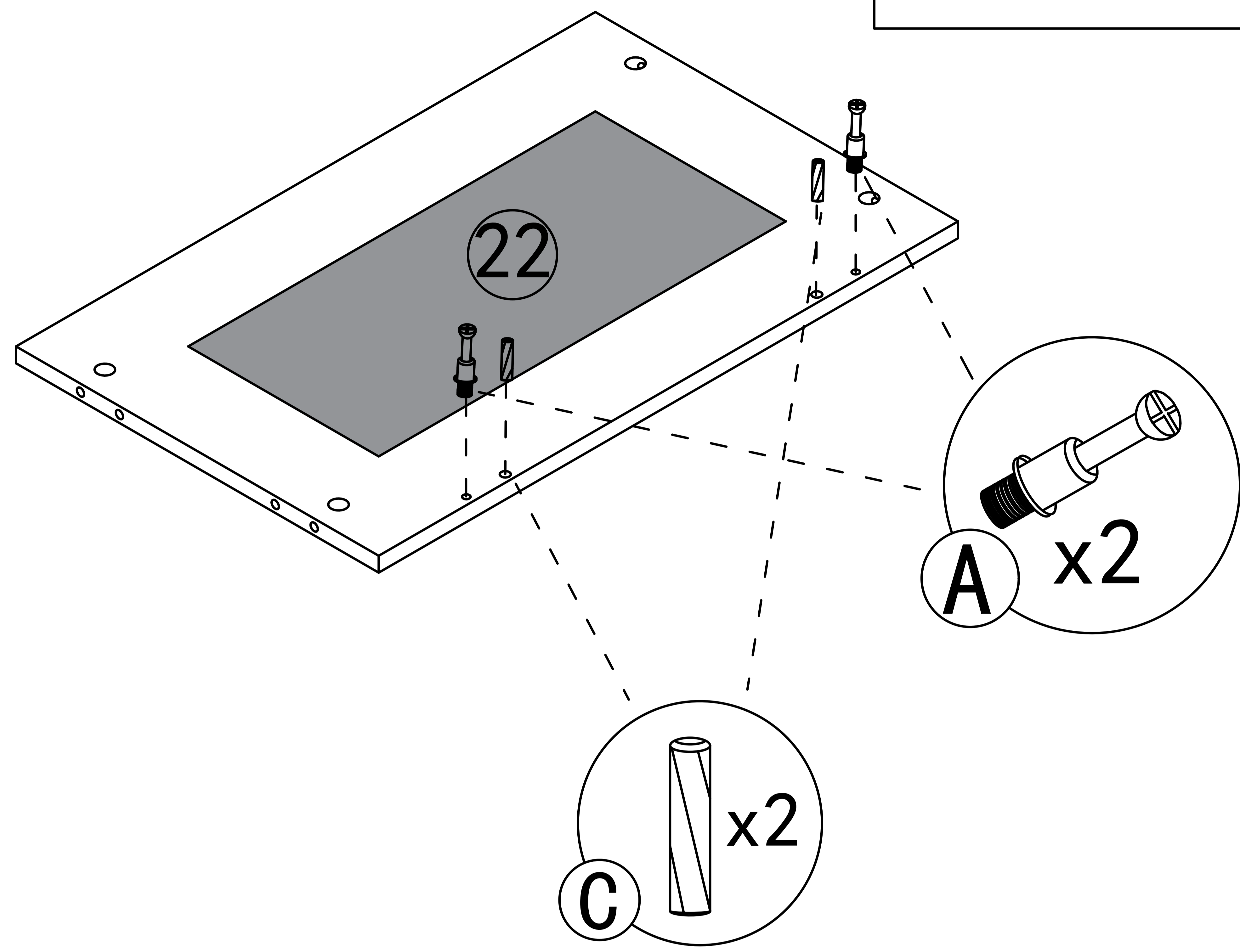
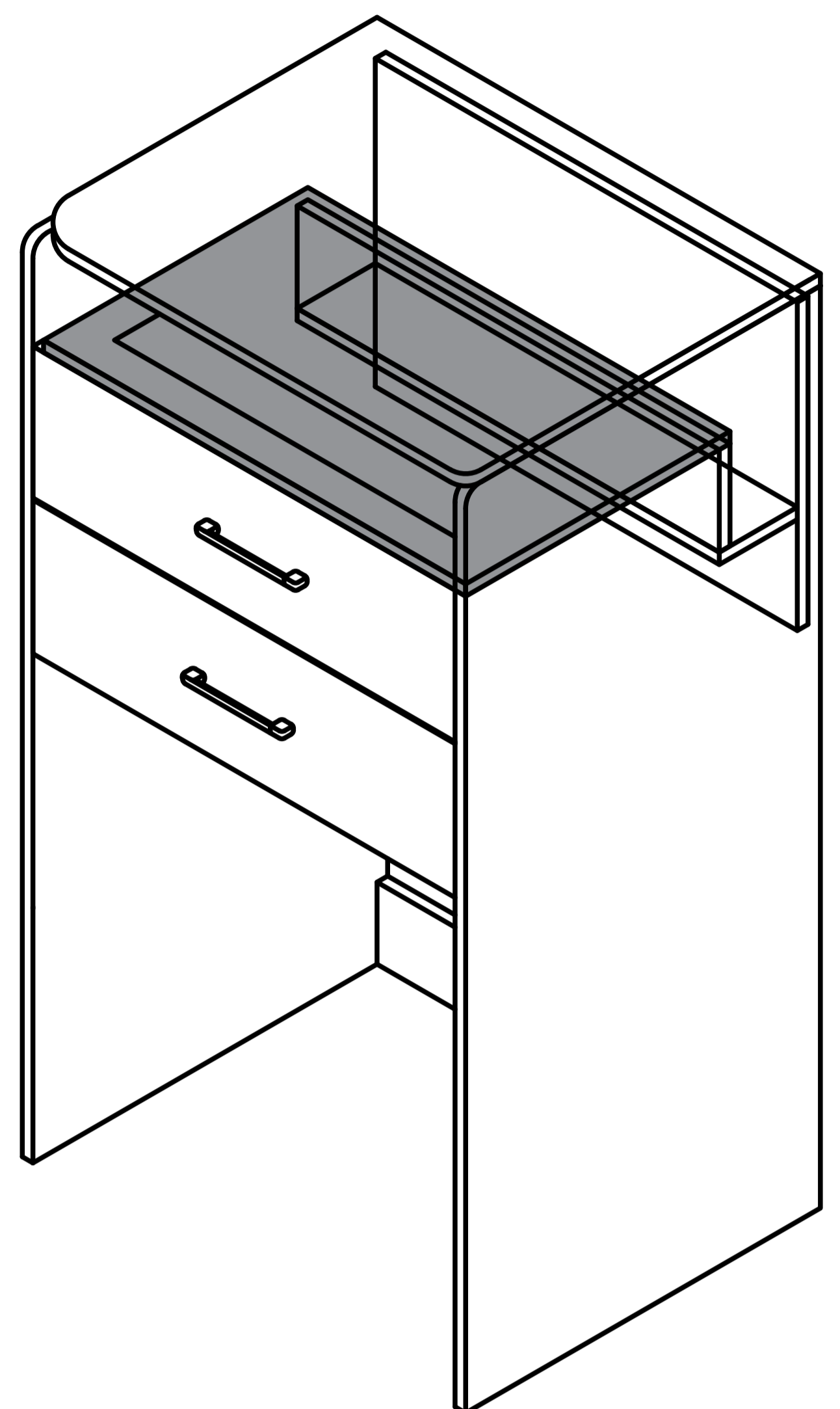
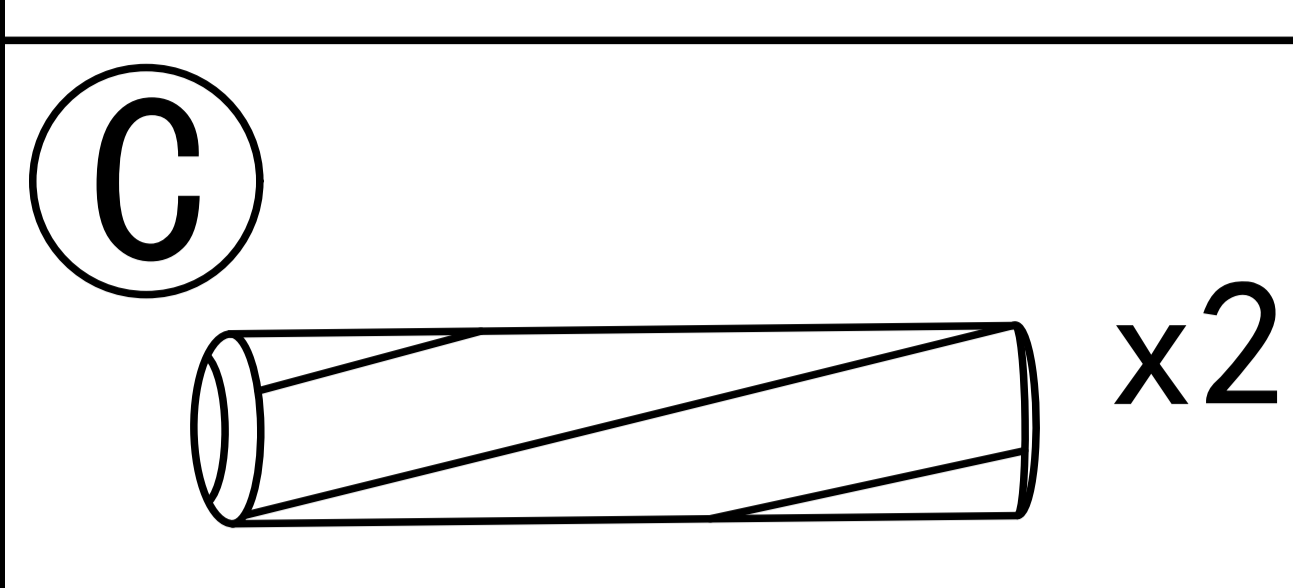
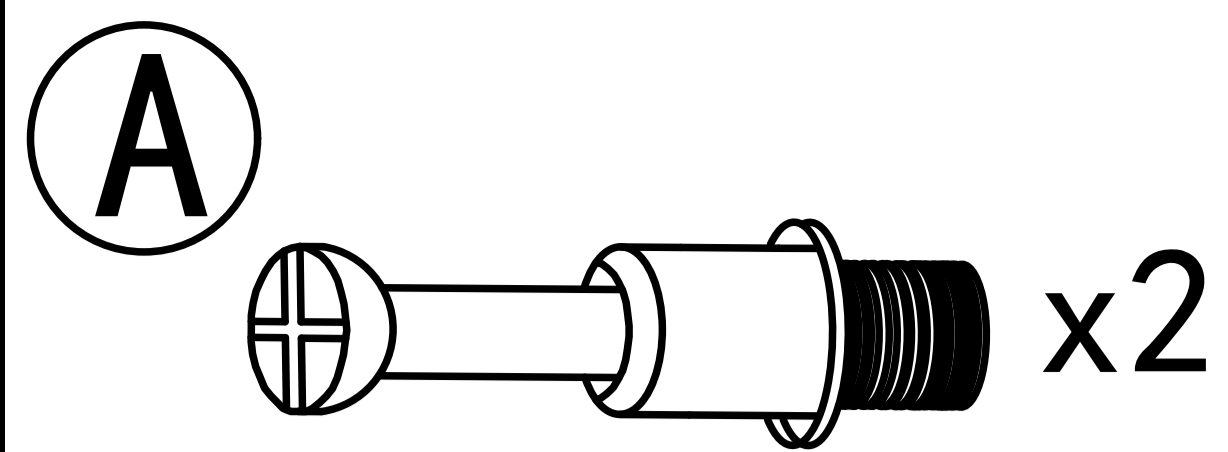
Step 40



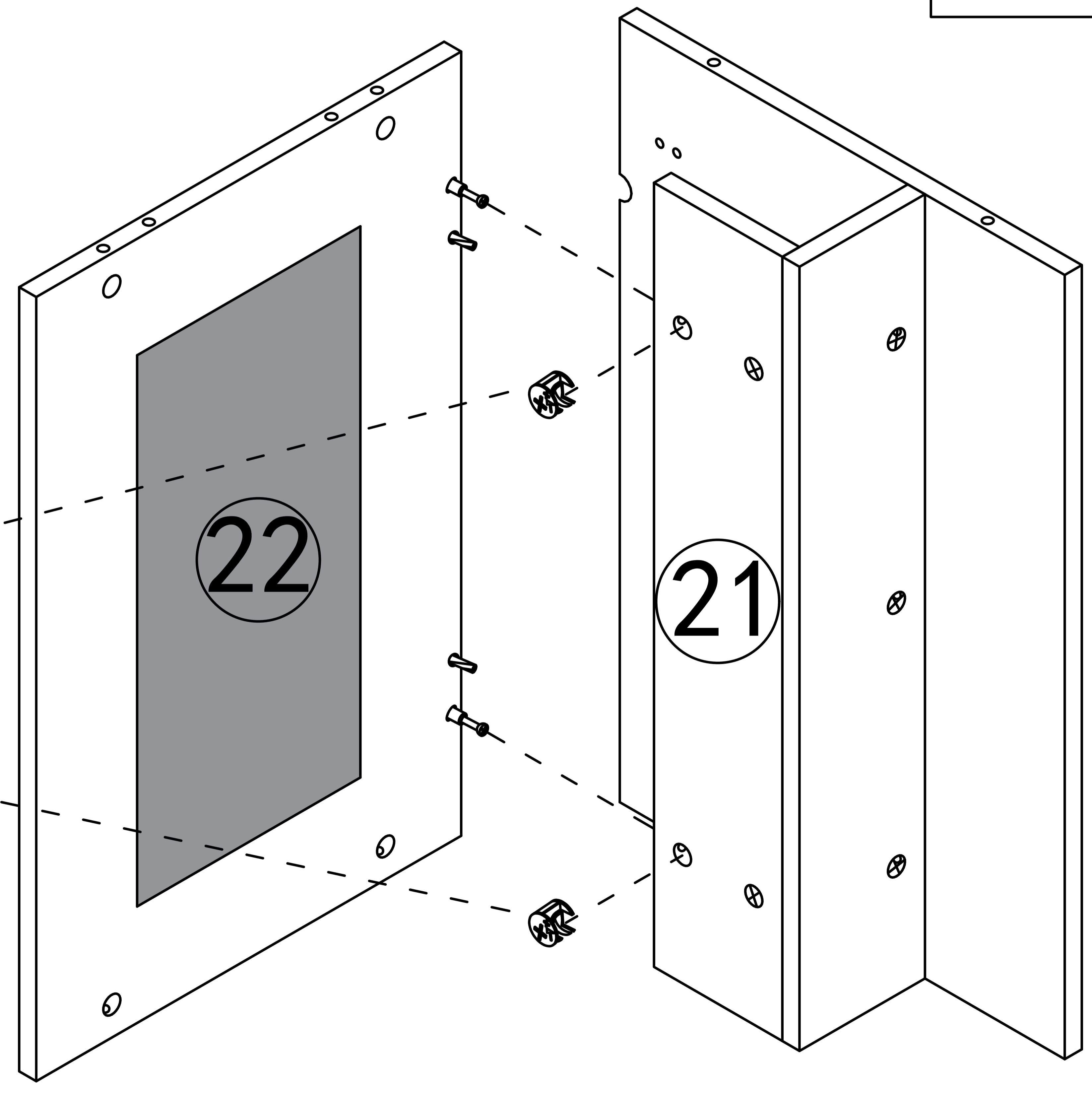
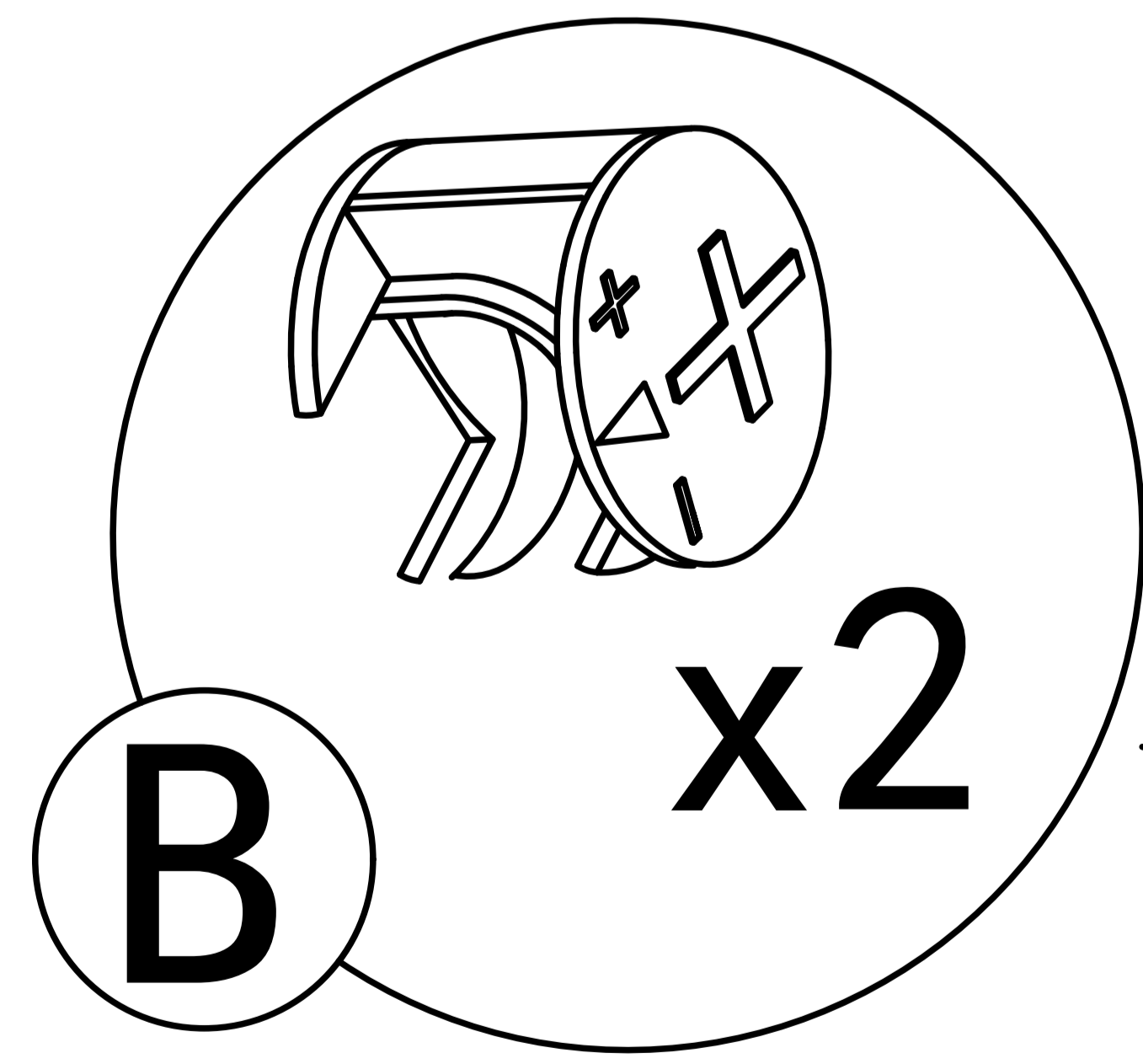
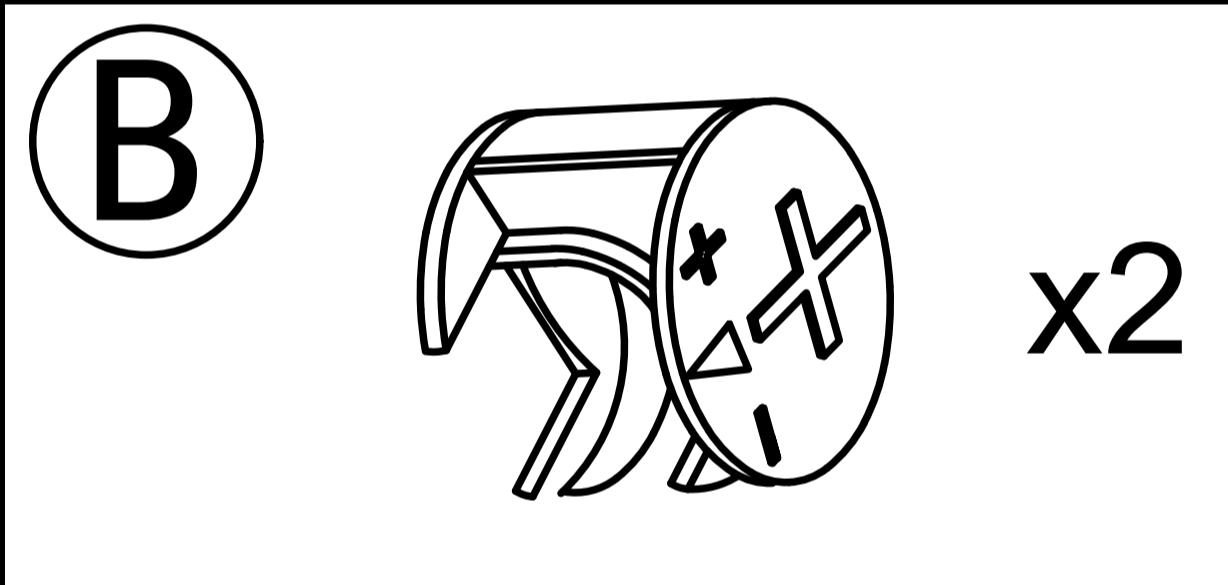
Step 41



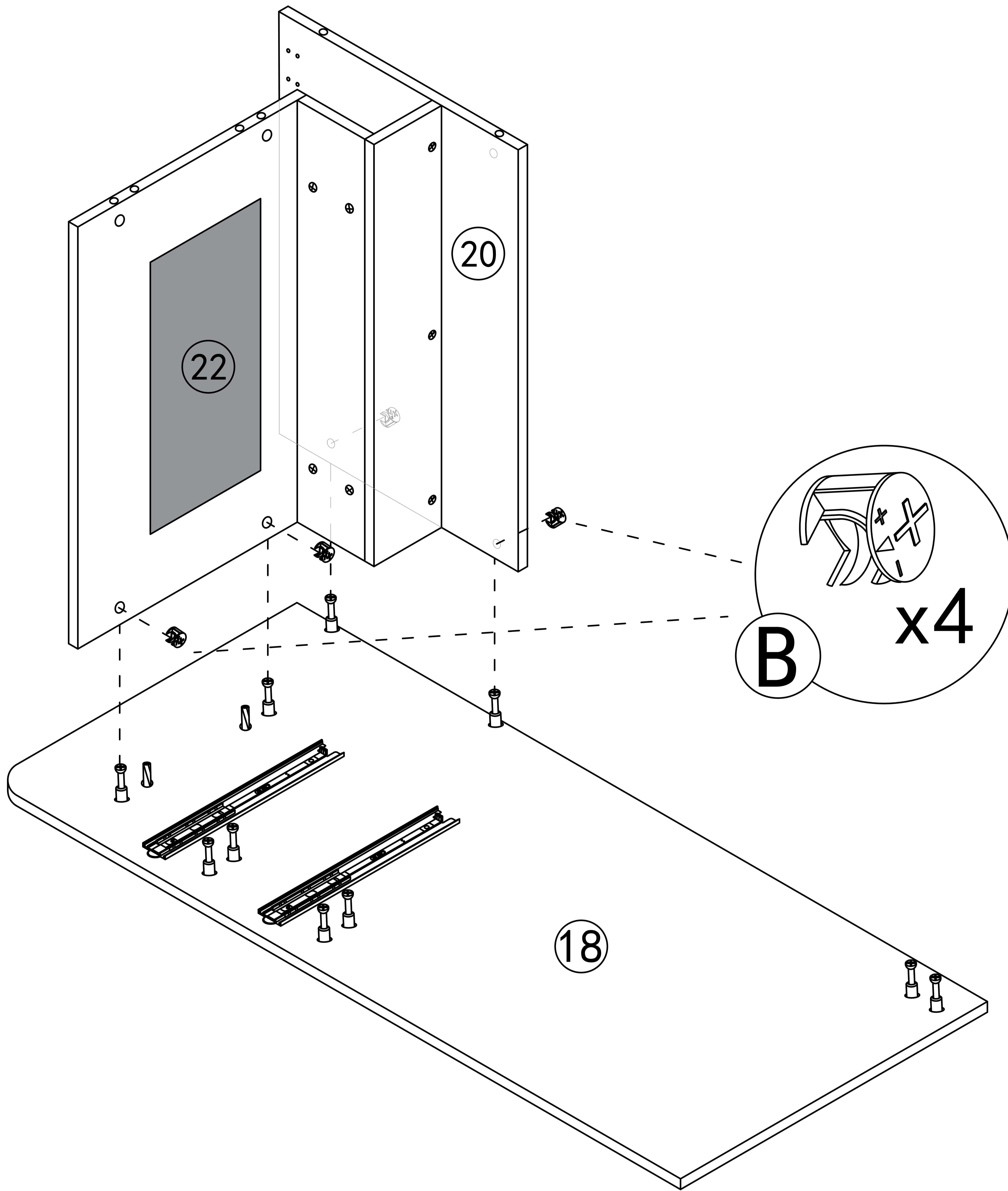
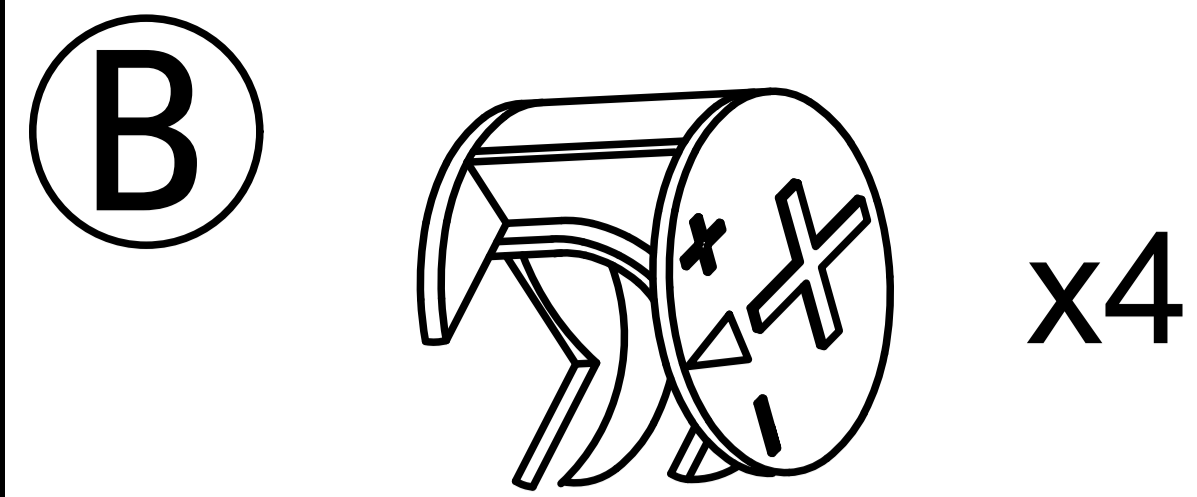
Step 42



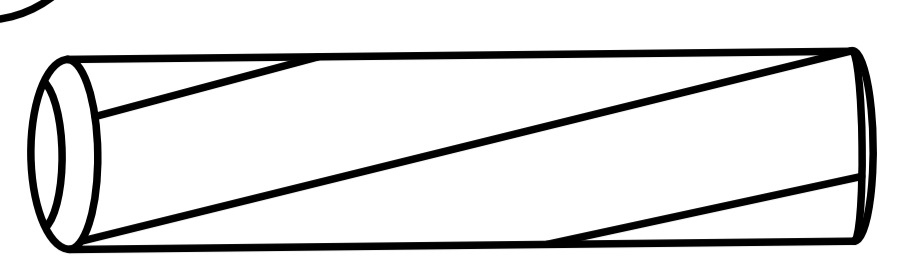
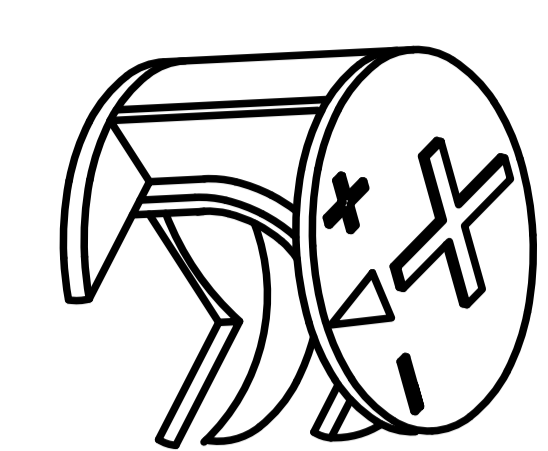
Step 43

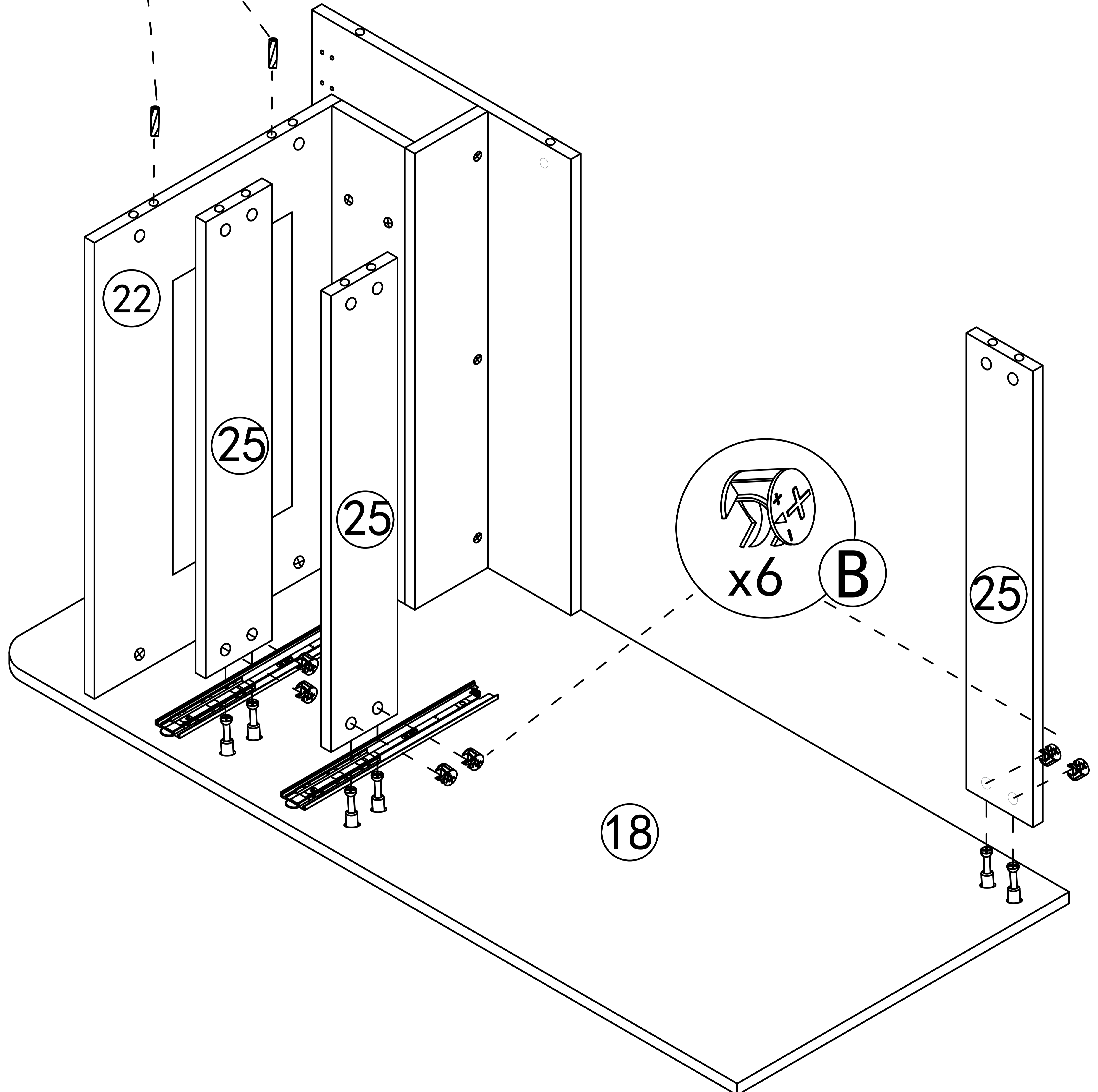
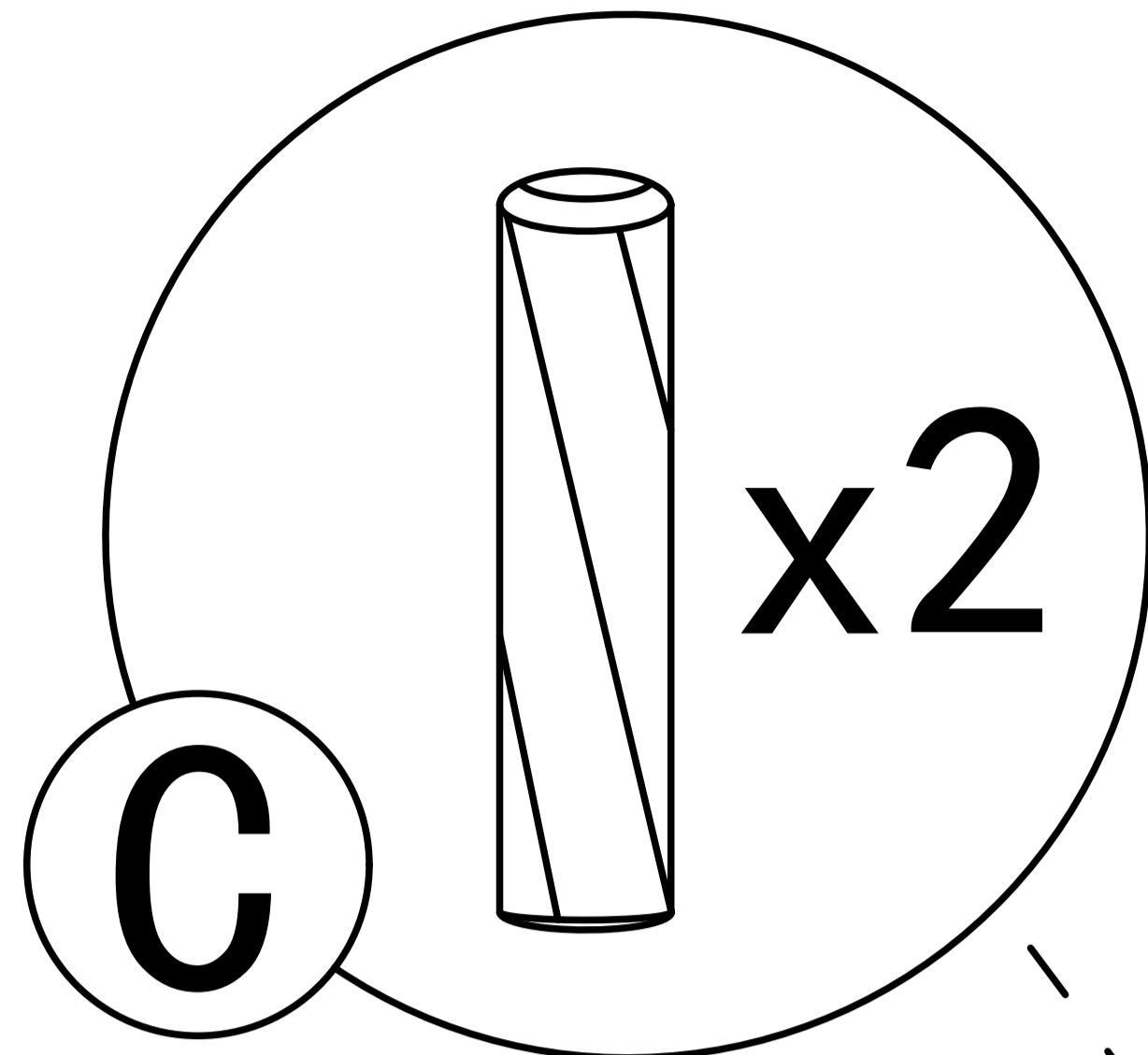


Step 44

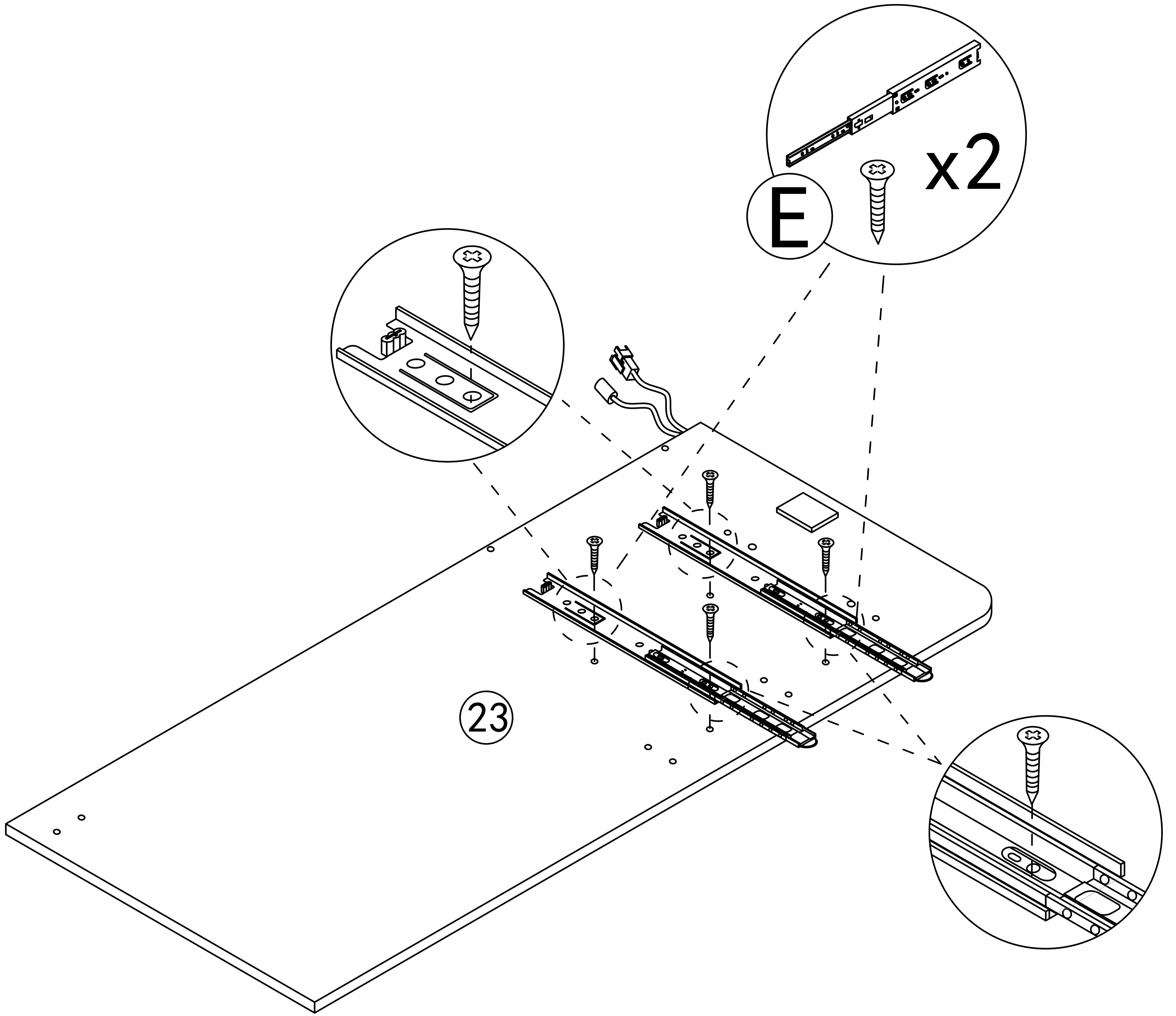
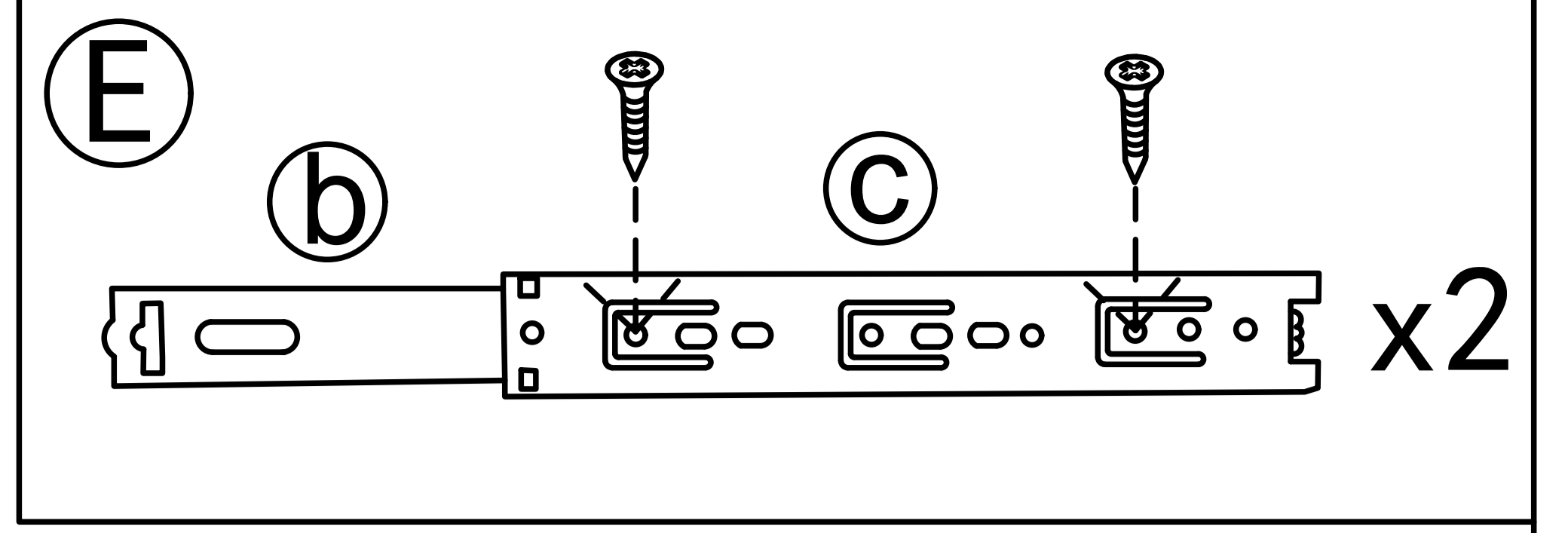


Step 45

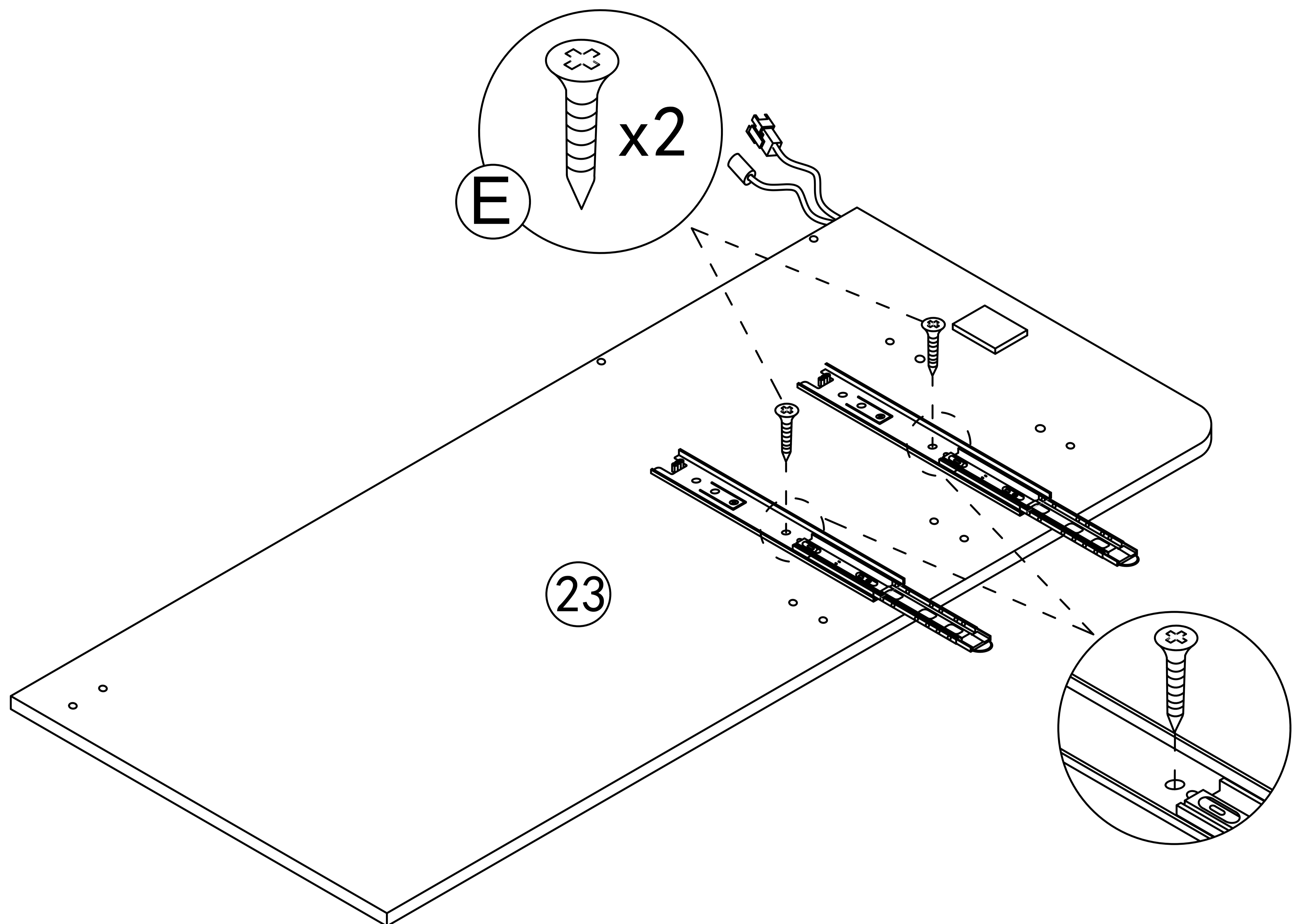
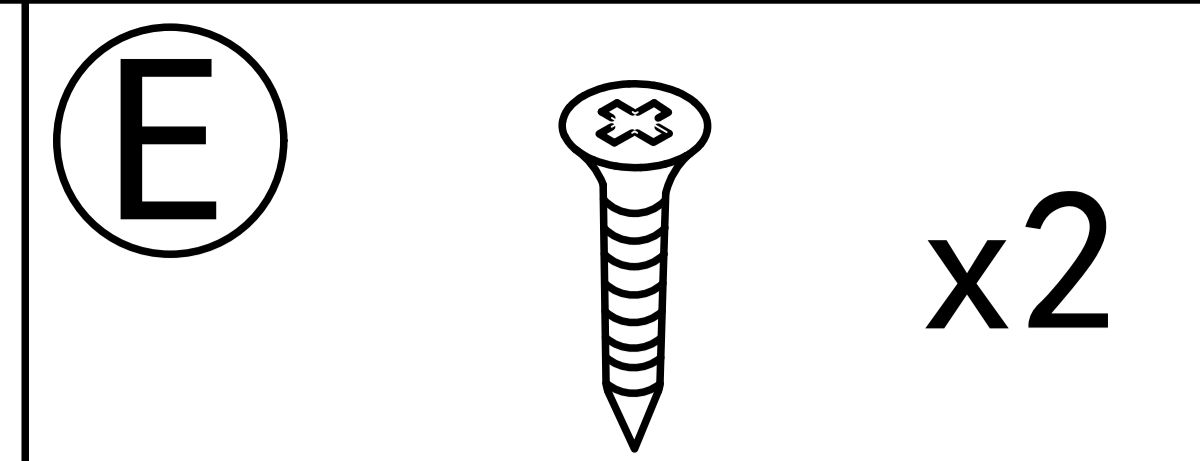
- C**  x2
- B**  x6



Step 46

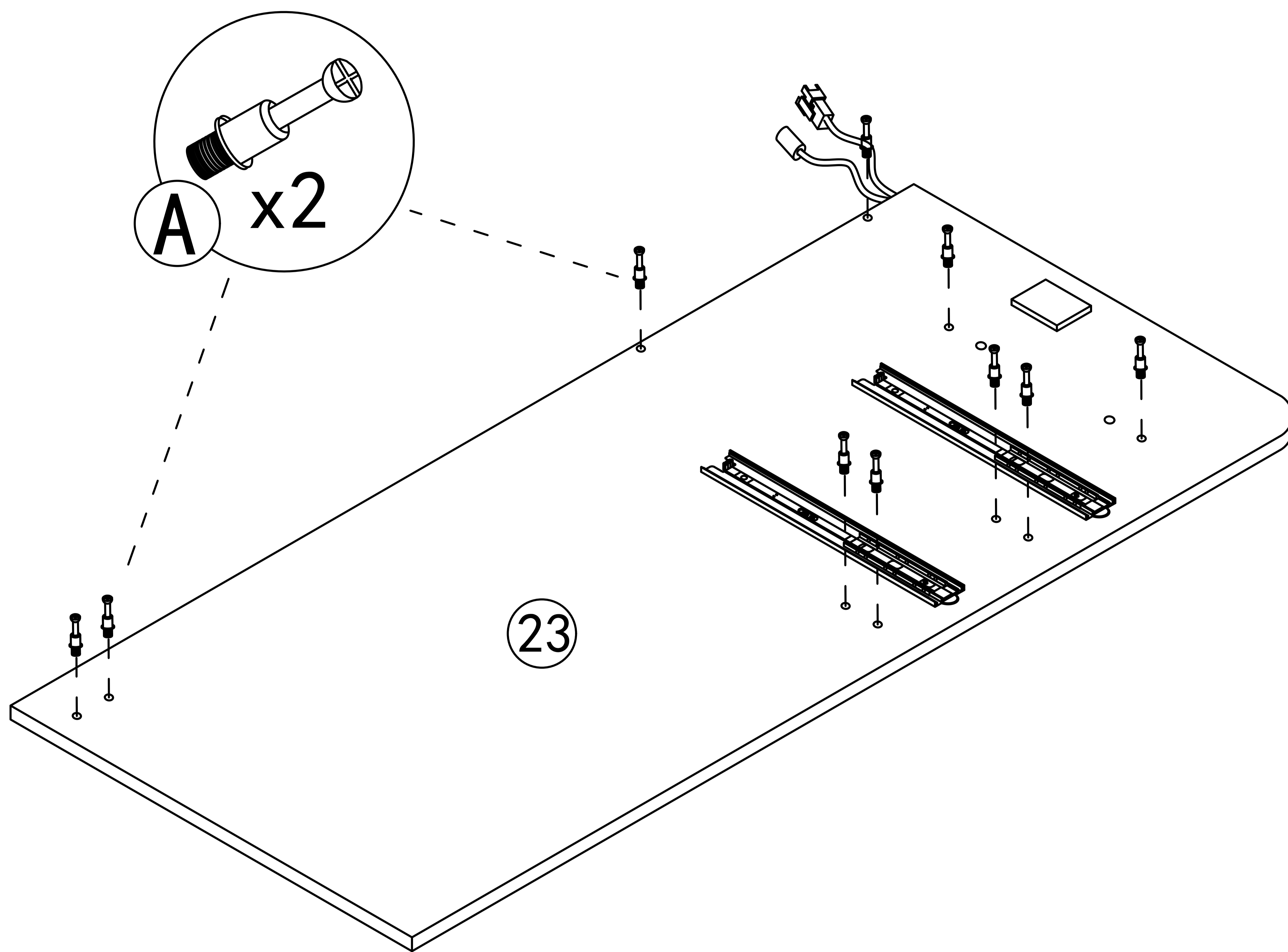
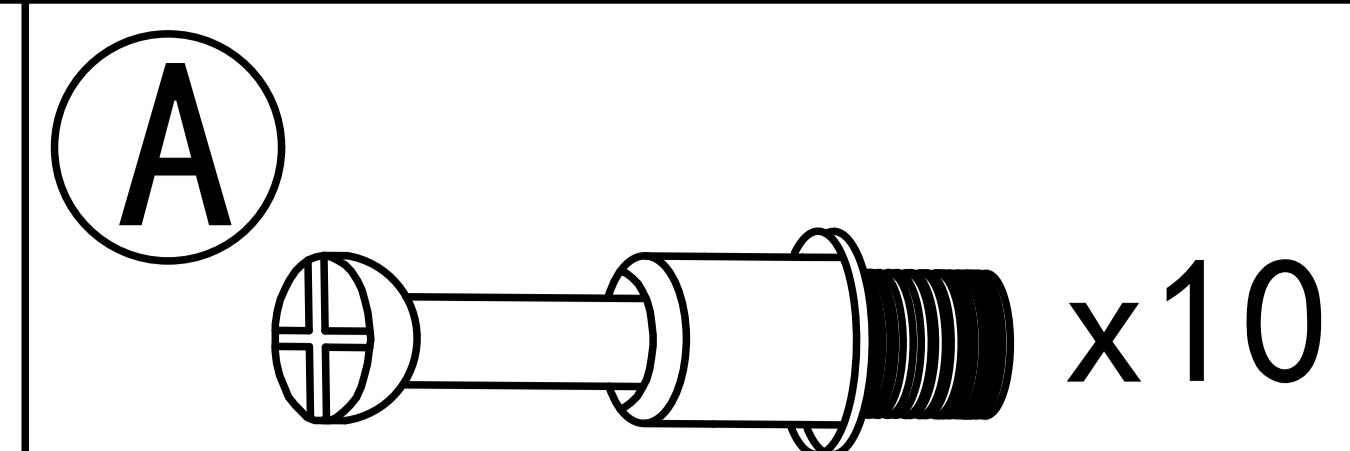


Step 47



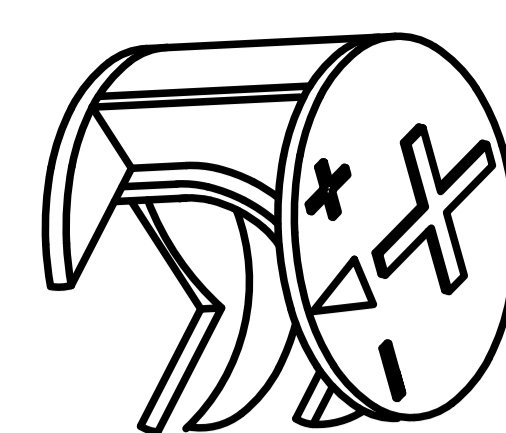
This hole is for strengthening fixed hole customers can choose to install according to their needs.

Step 48

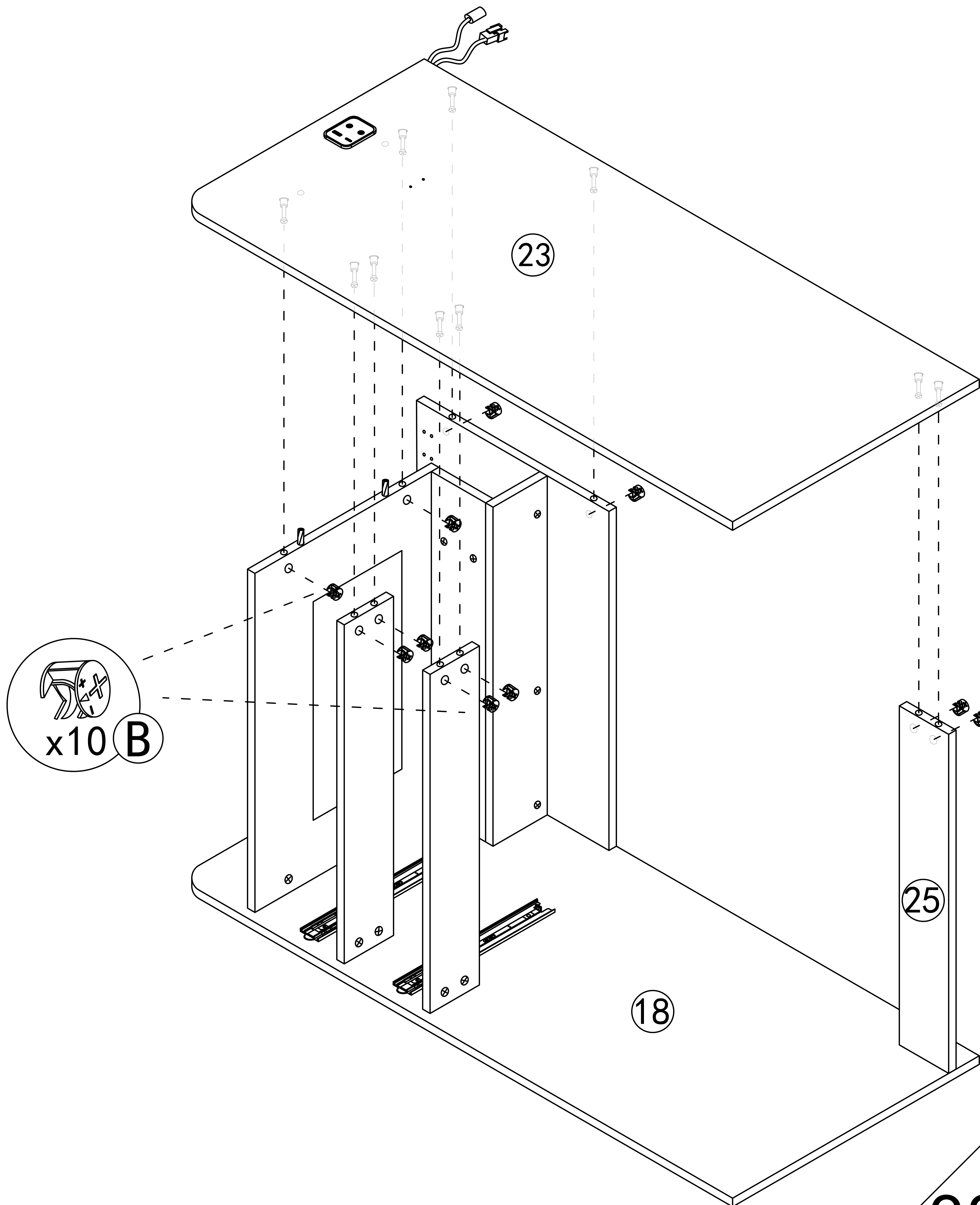


Step 49

B



x10



23

25

18

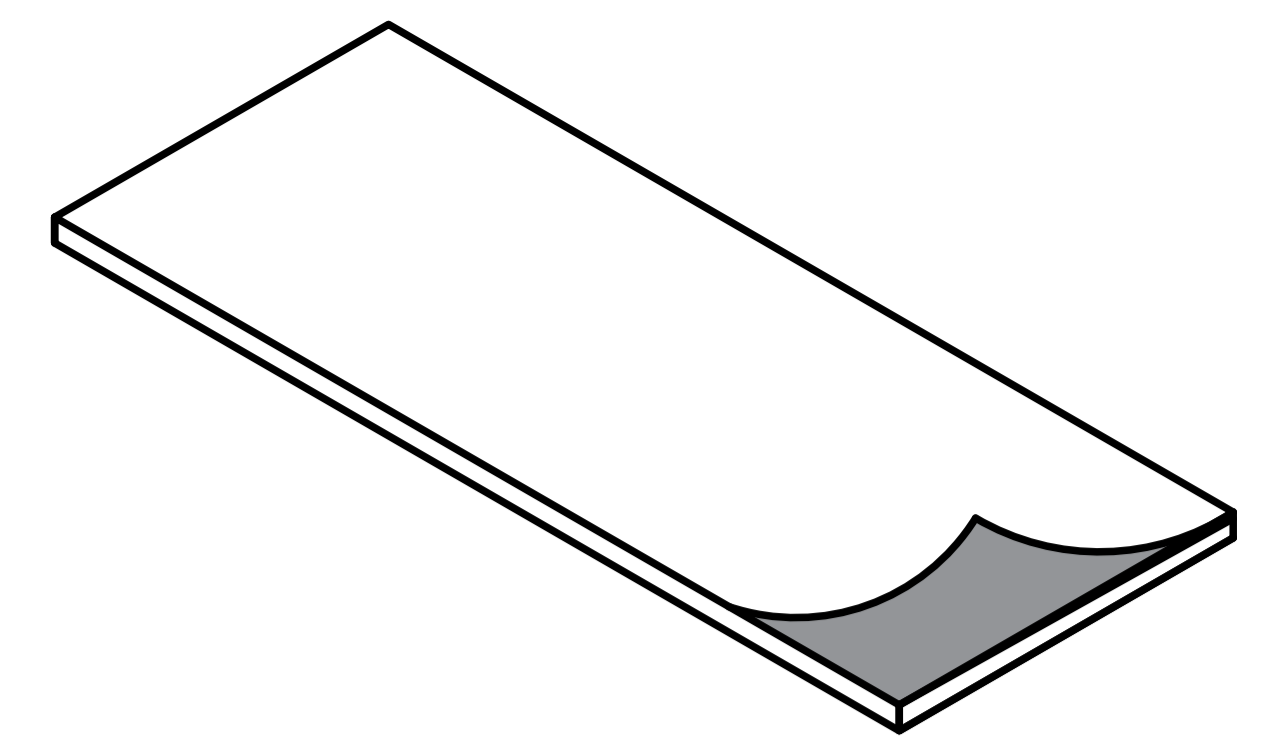
38

x10

B

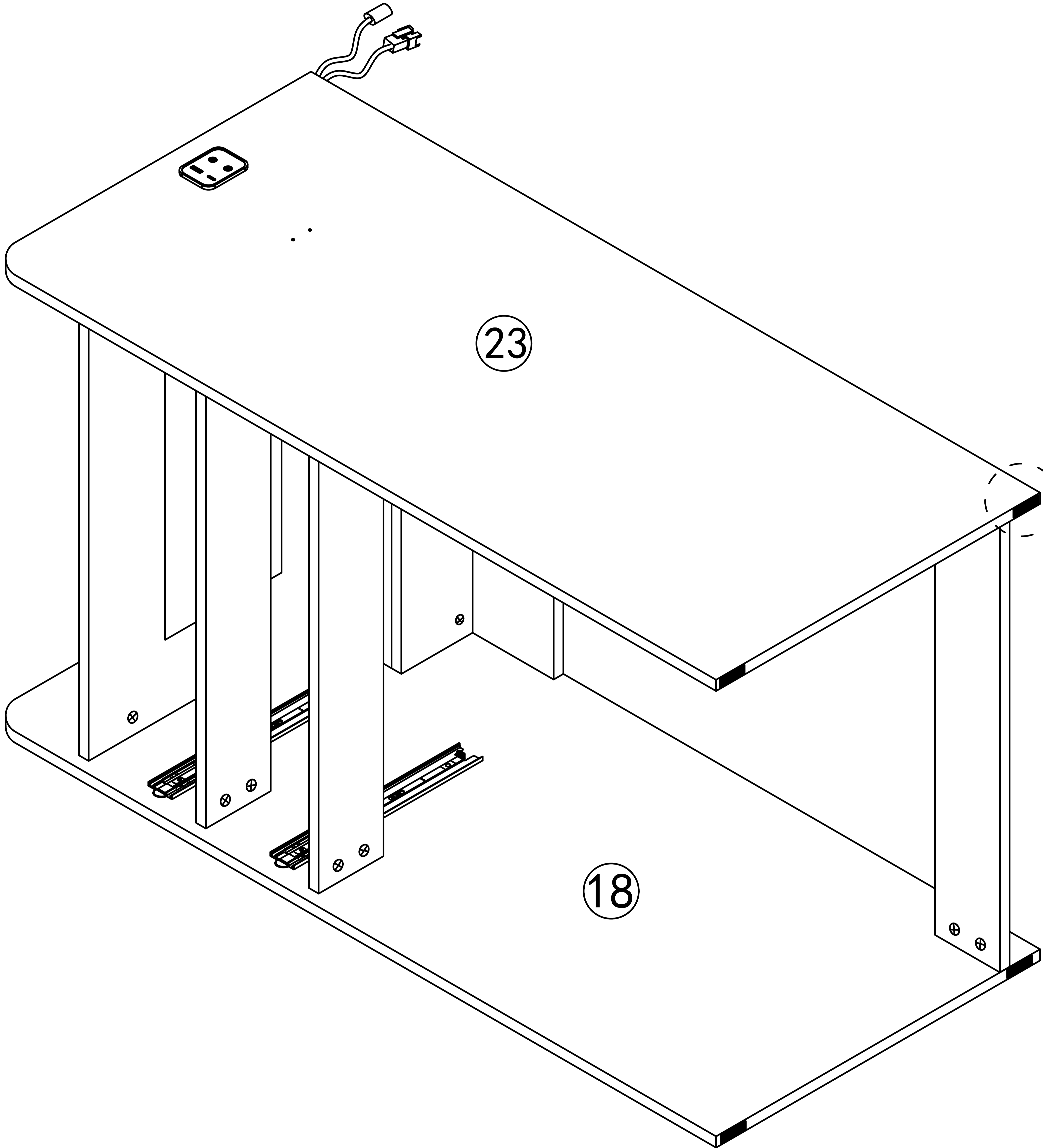
Step 50

H



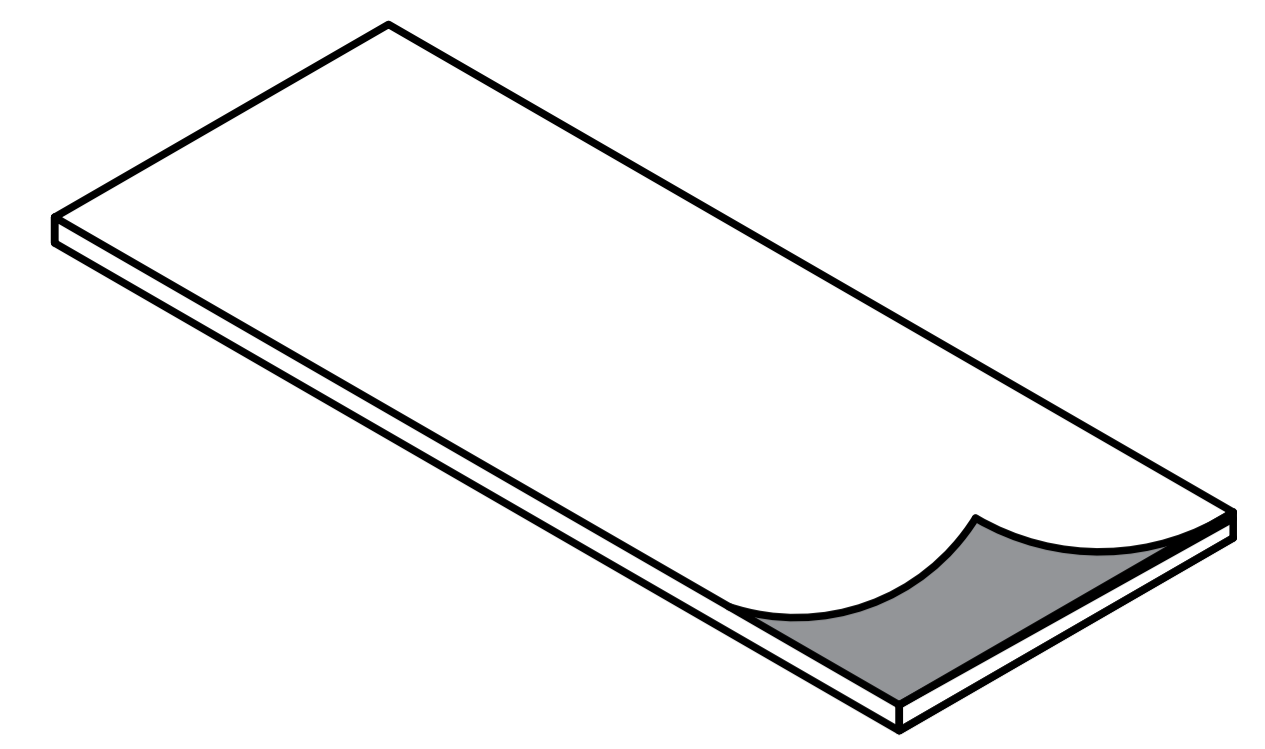
x4

Tear off release paper and stick the black foot pad on the board



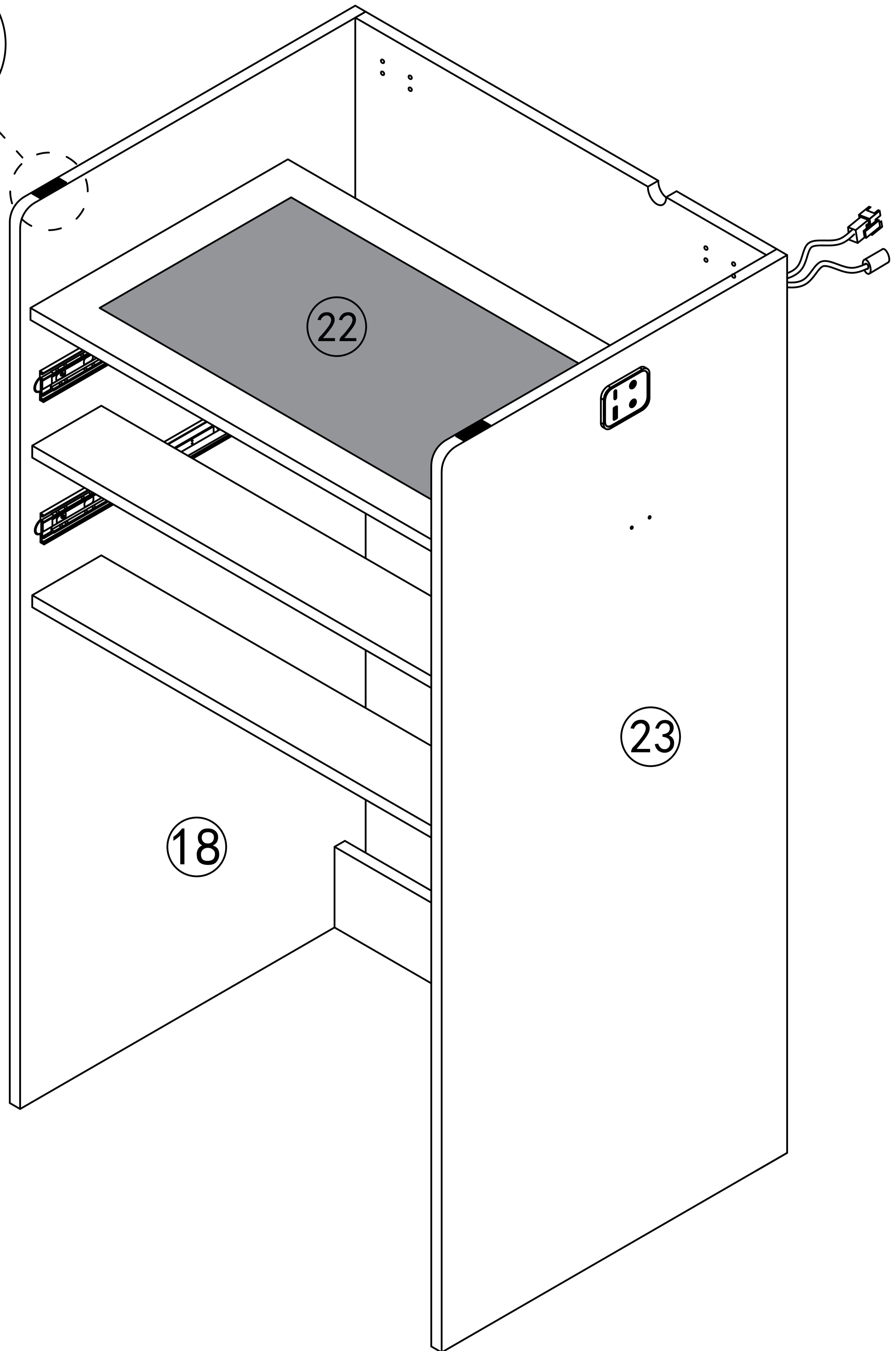
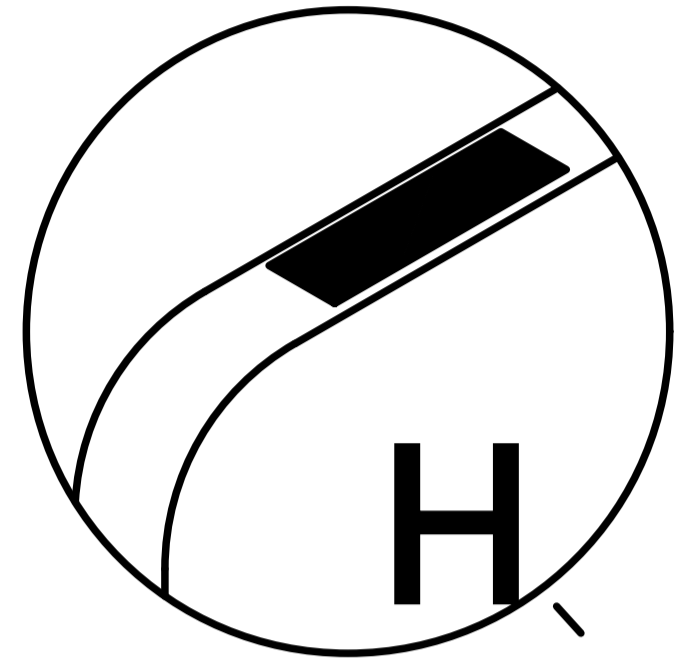
Step 51

H

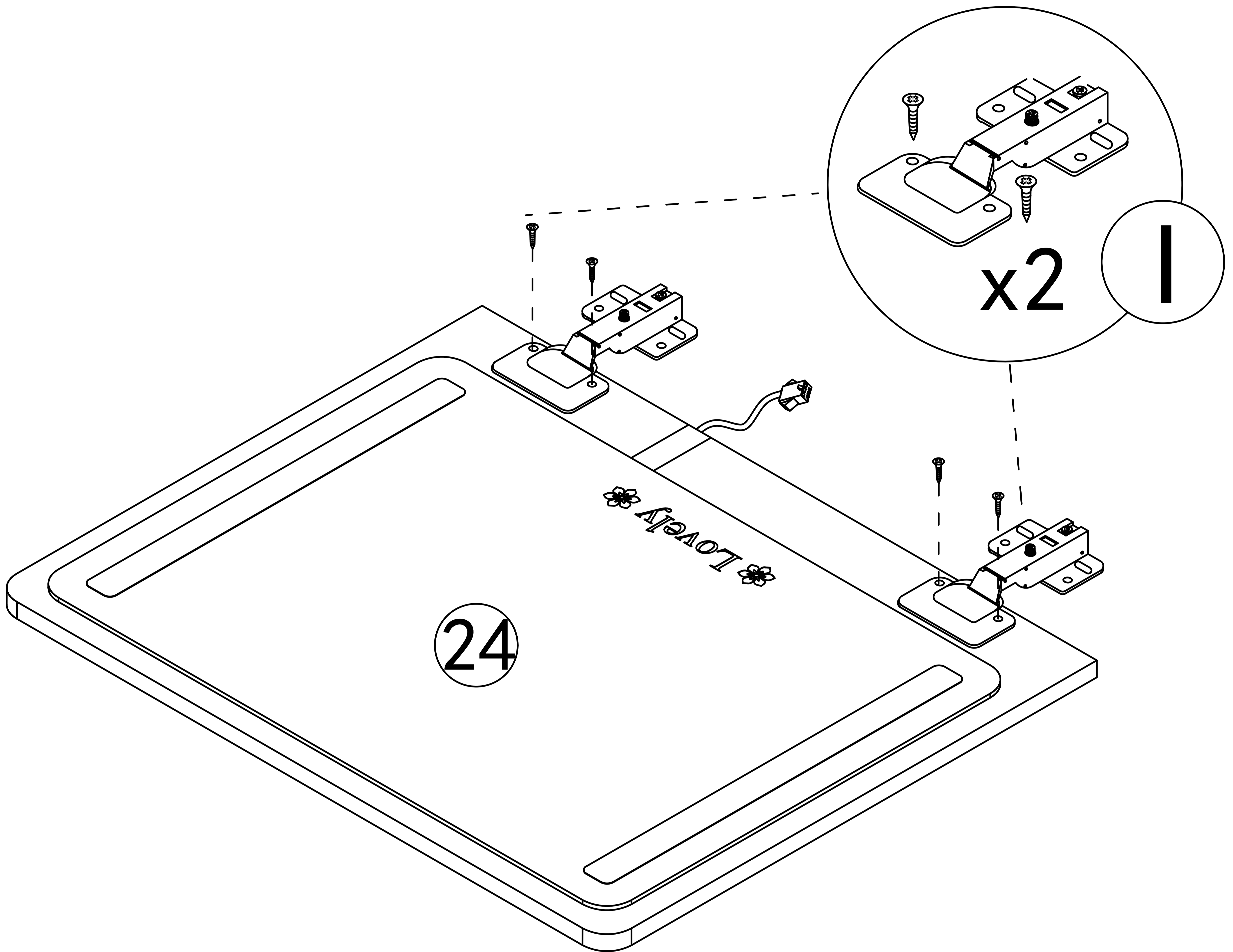
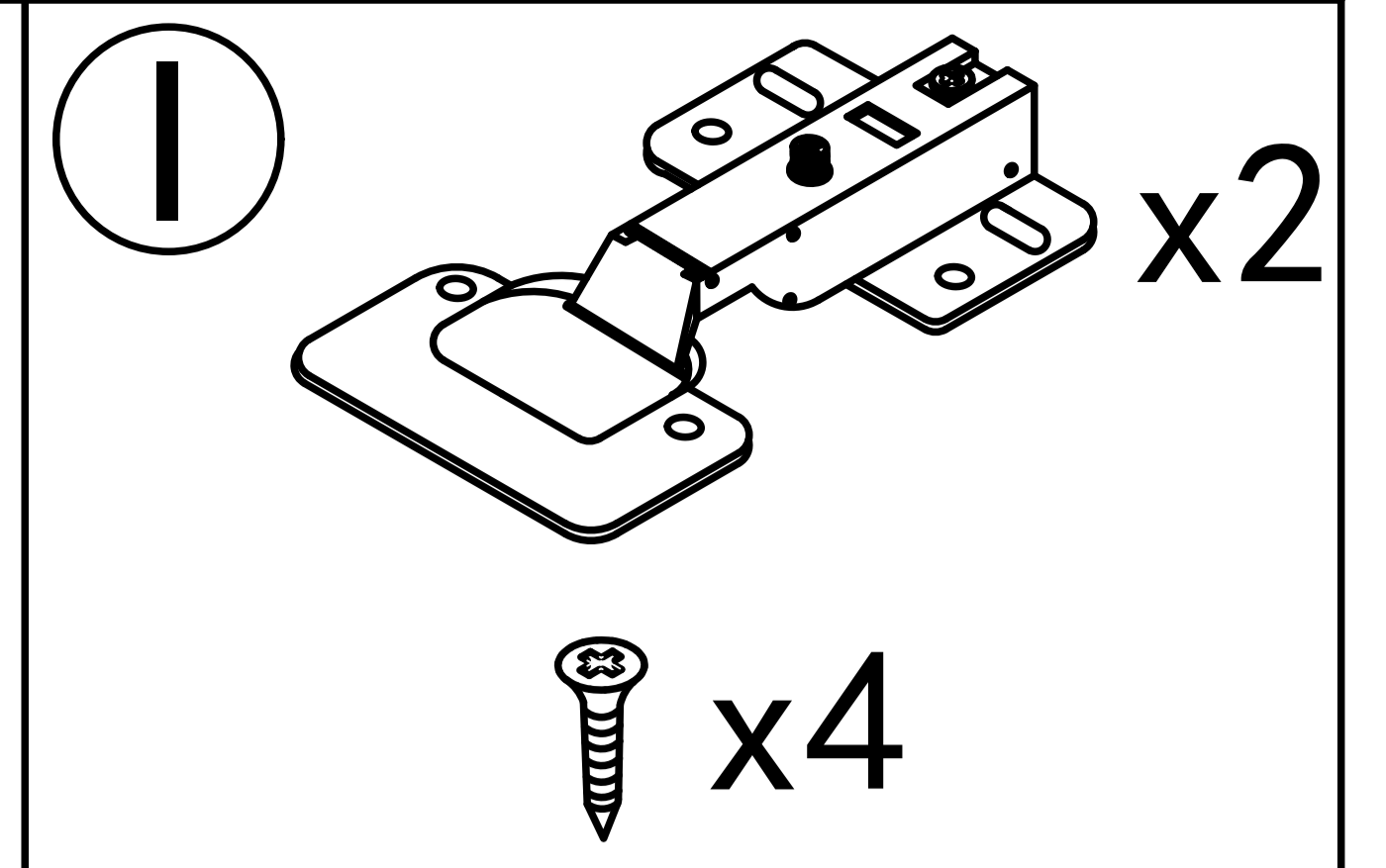


x2

Tear off release paper and stick the black foot pad on the board



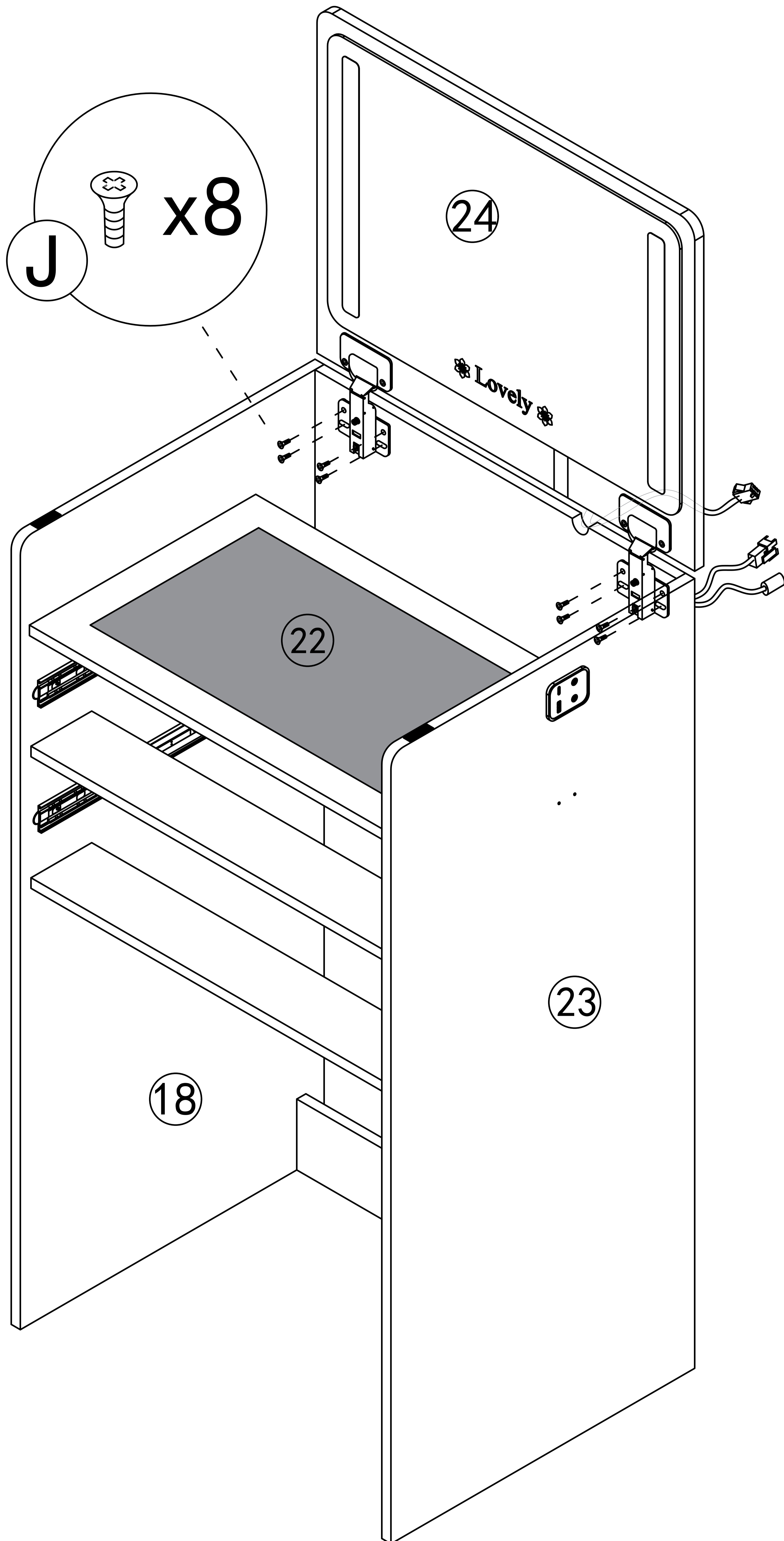
Step 52



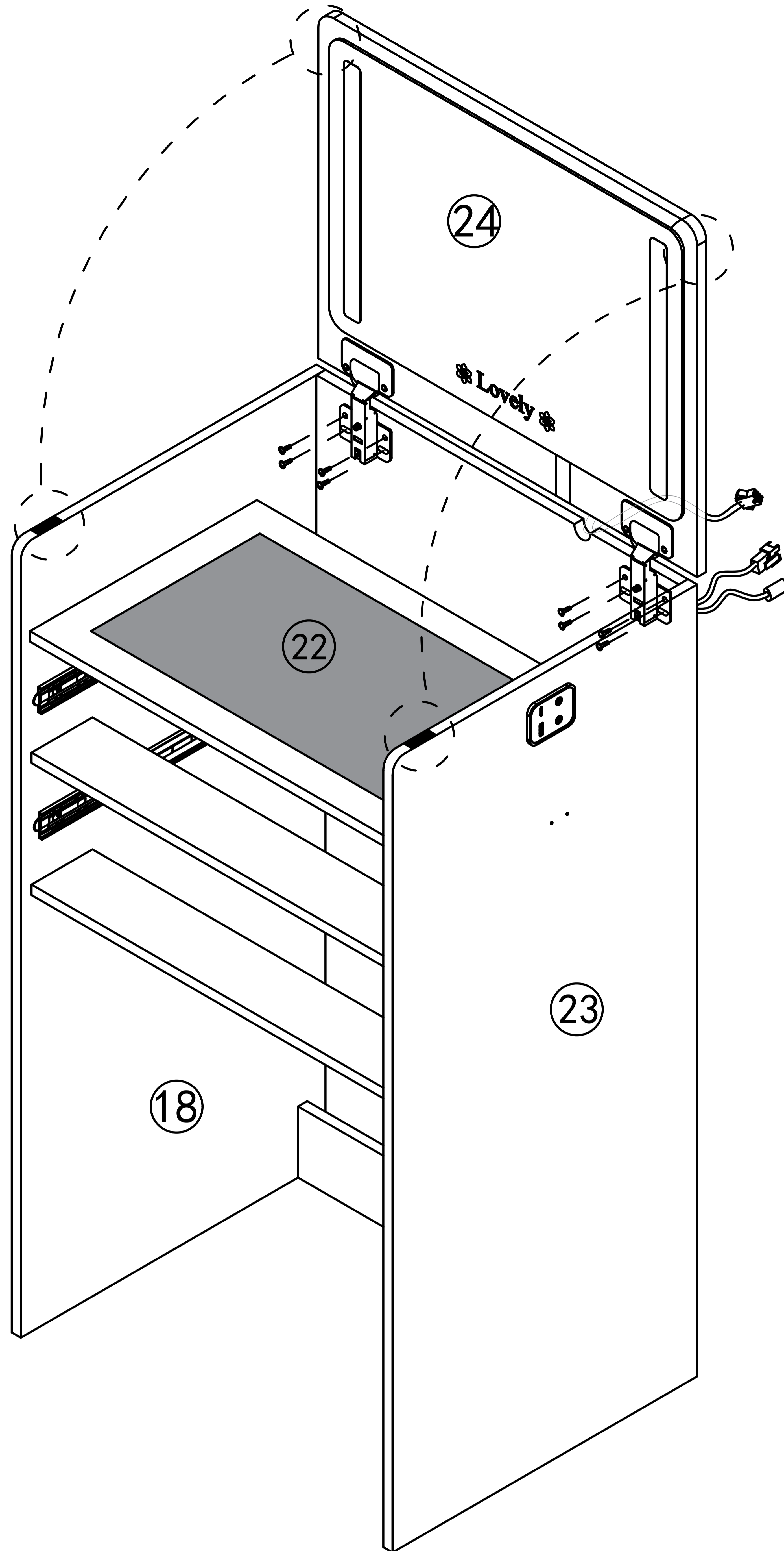
Step 53

J

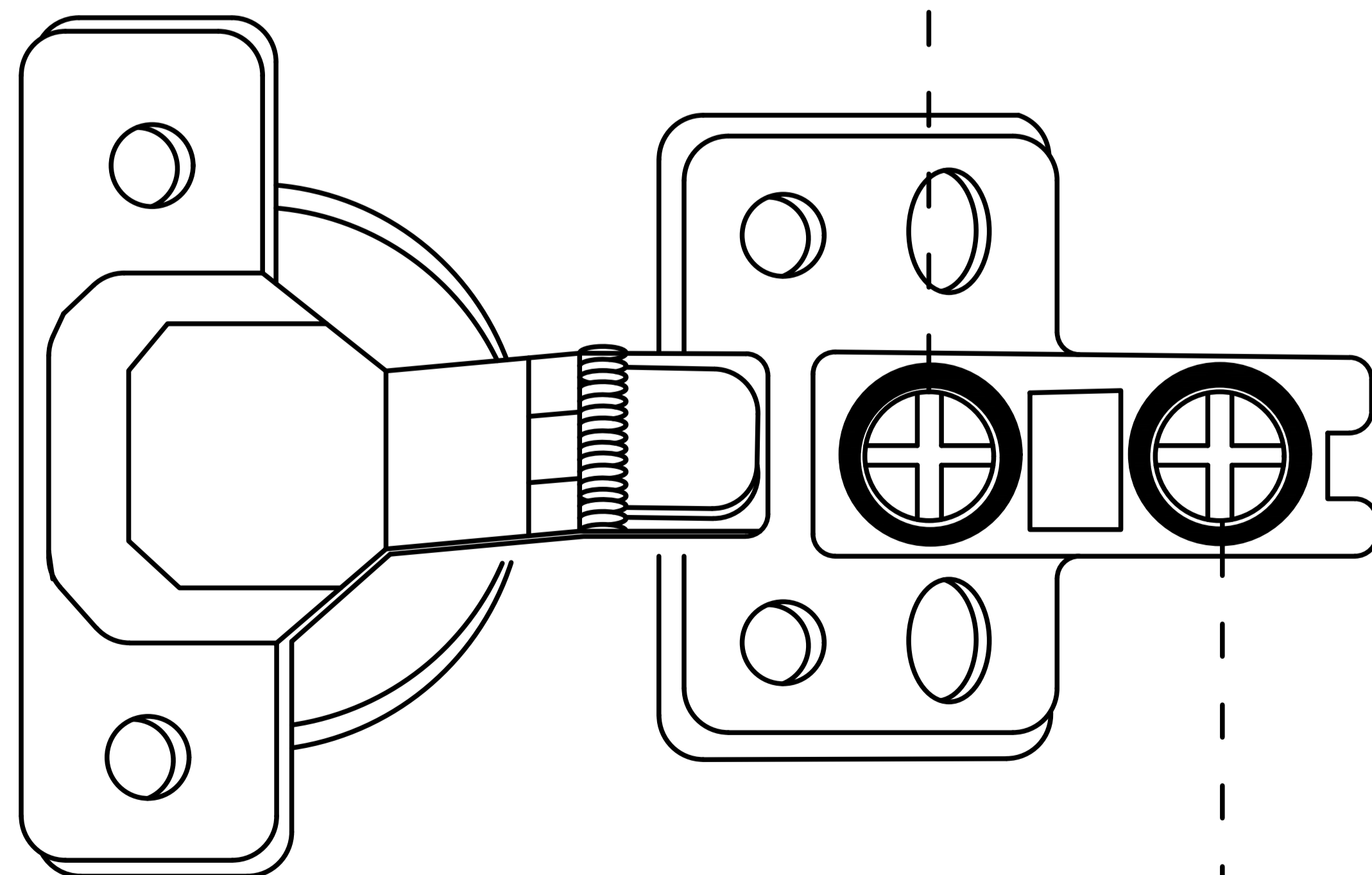
x8



Step 54

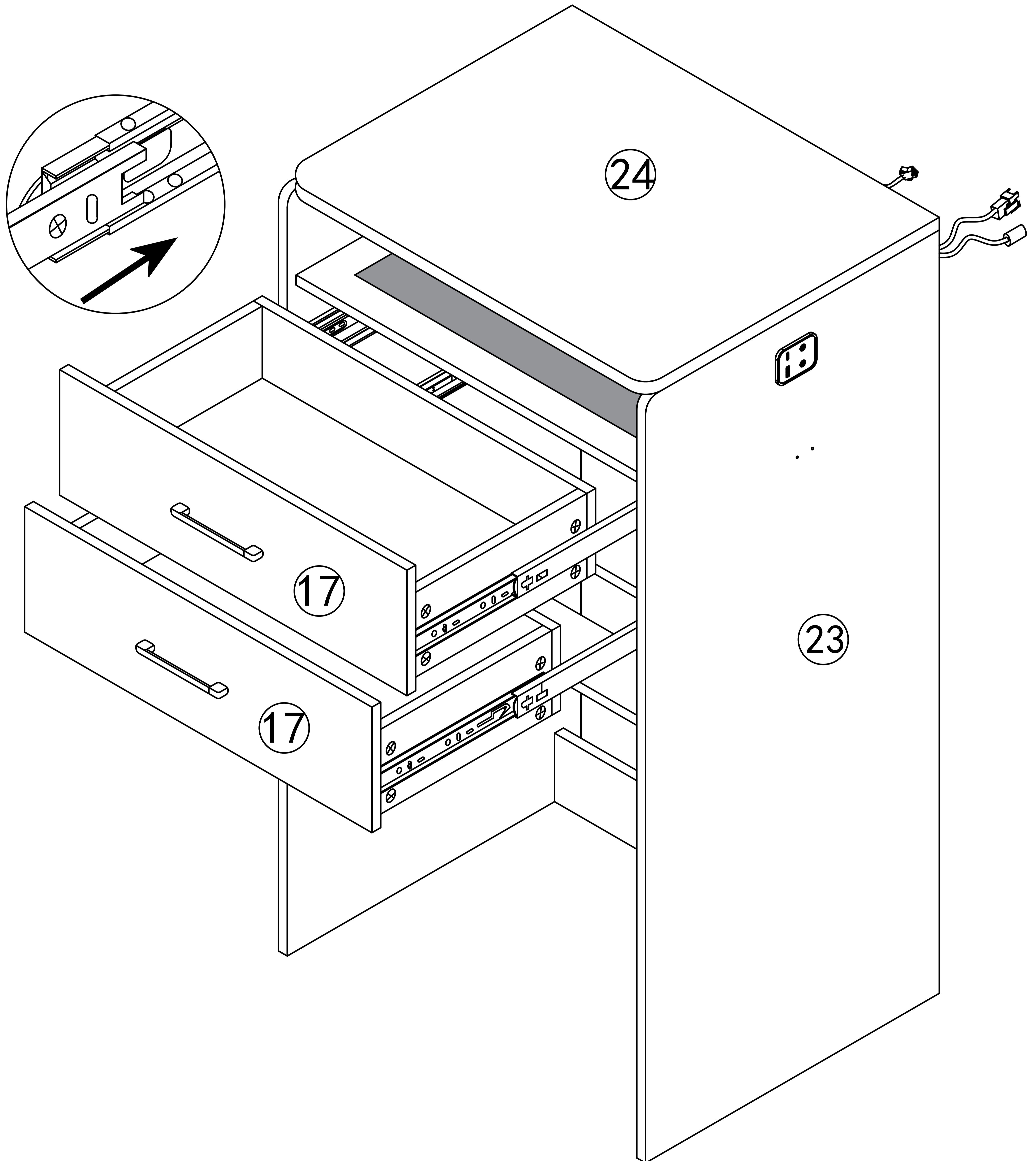


Turning this screw can effectively adjust the size of the mirror plate gap.



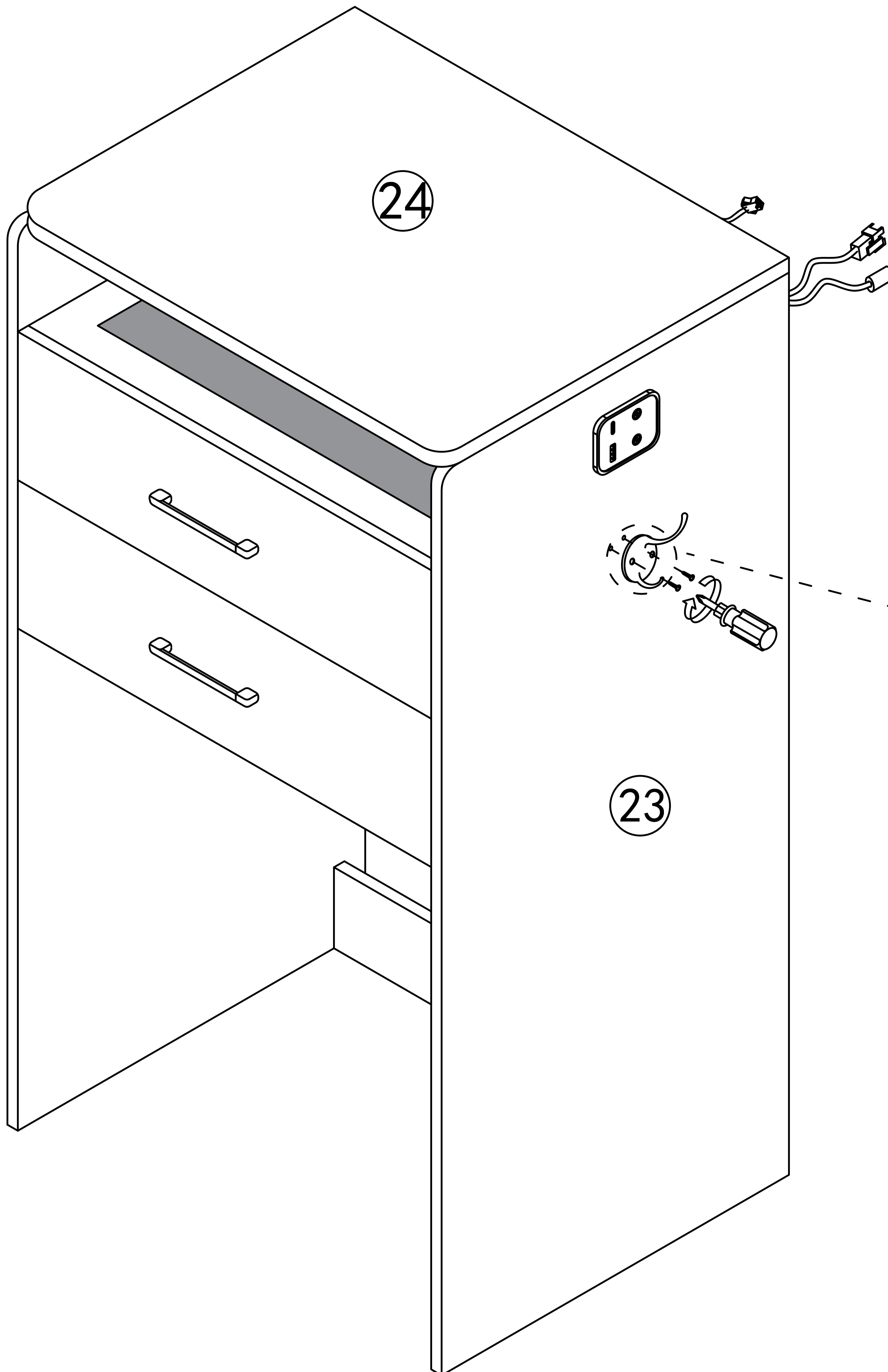
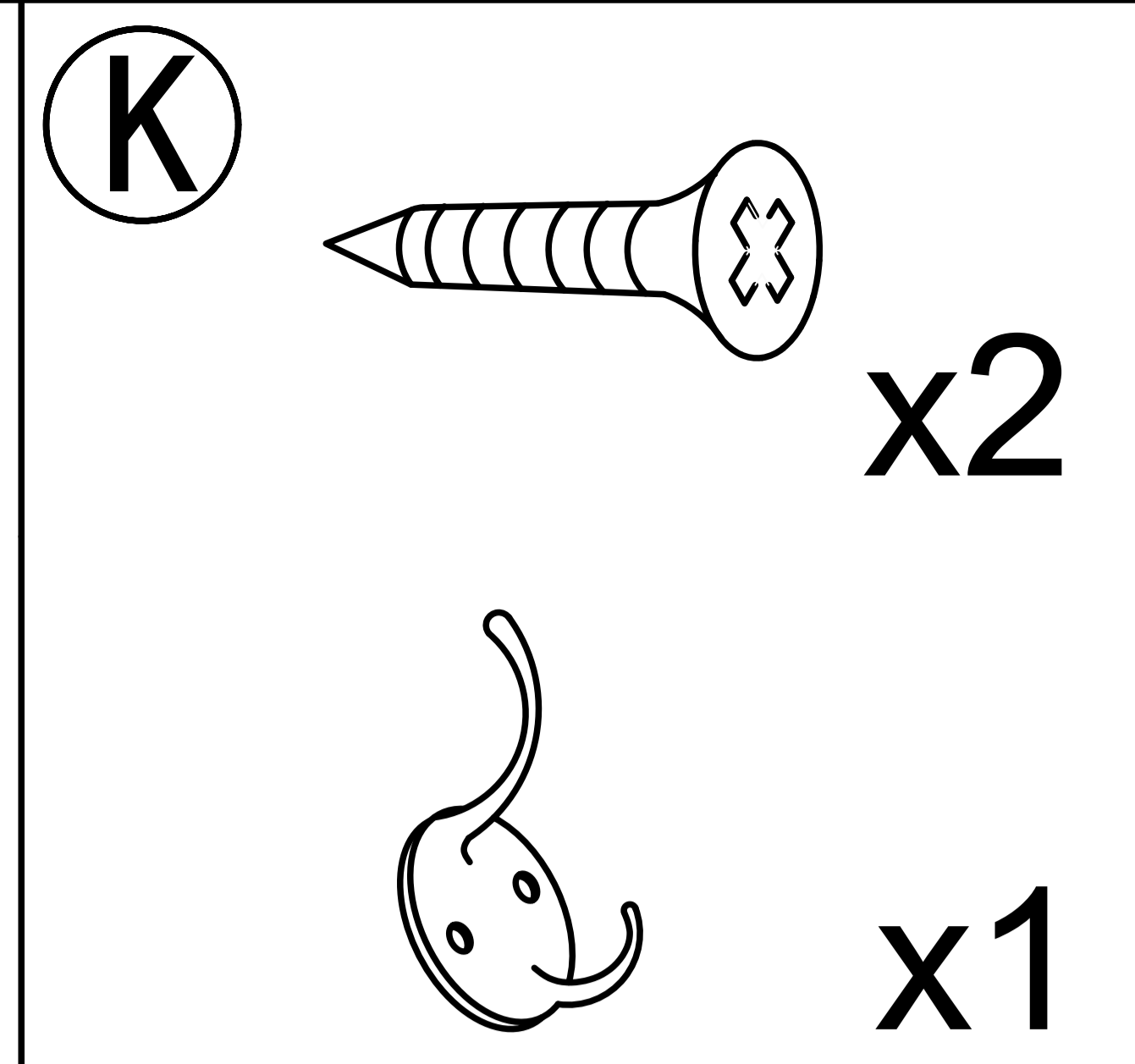
Turn this screw to adjust the mirror panel to be flush with the side panel.

Step 55

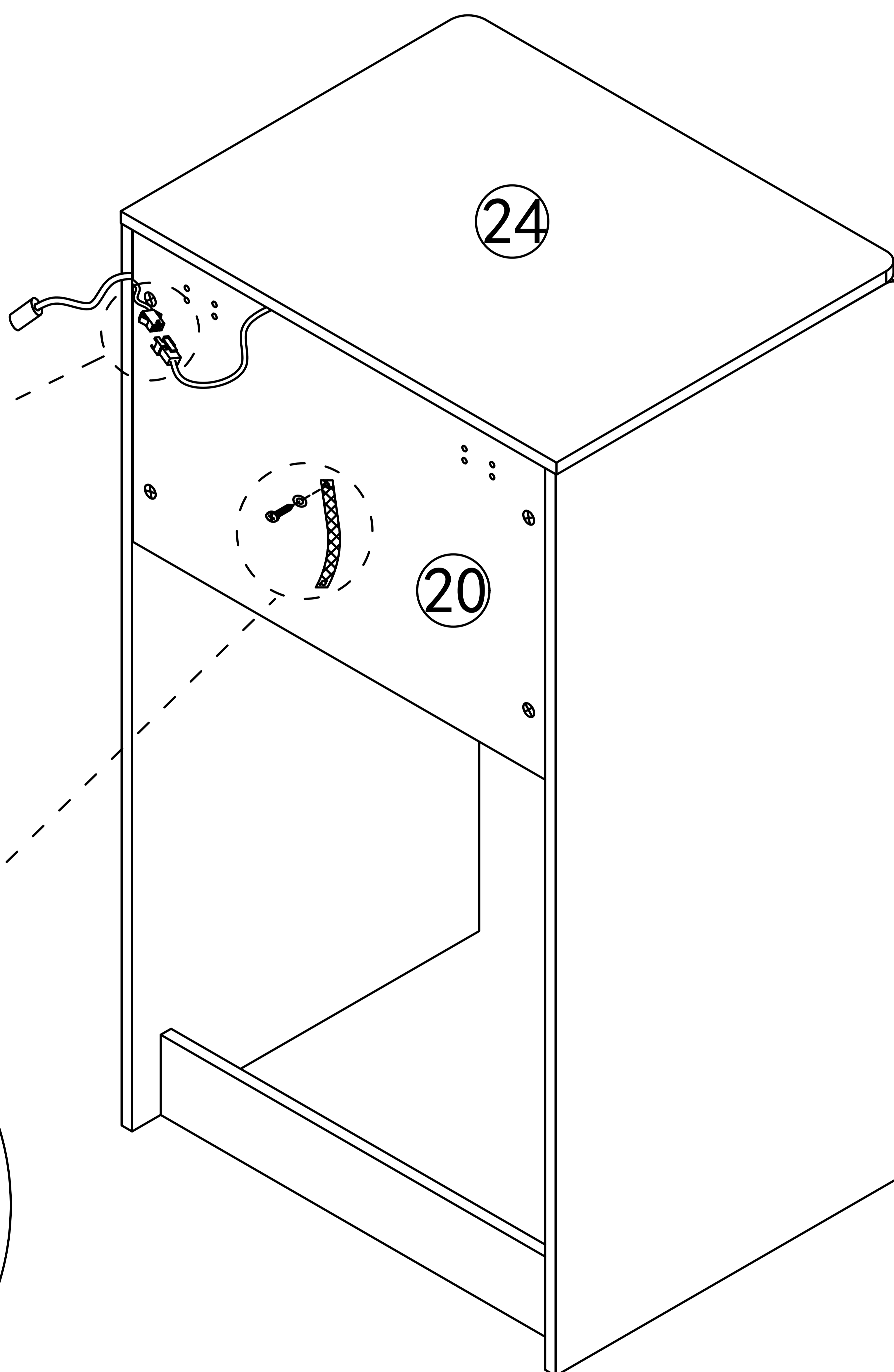
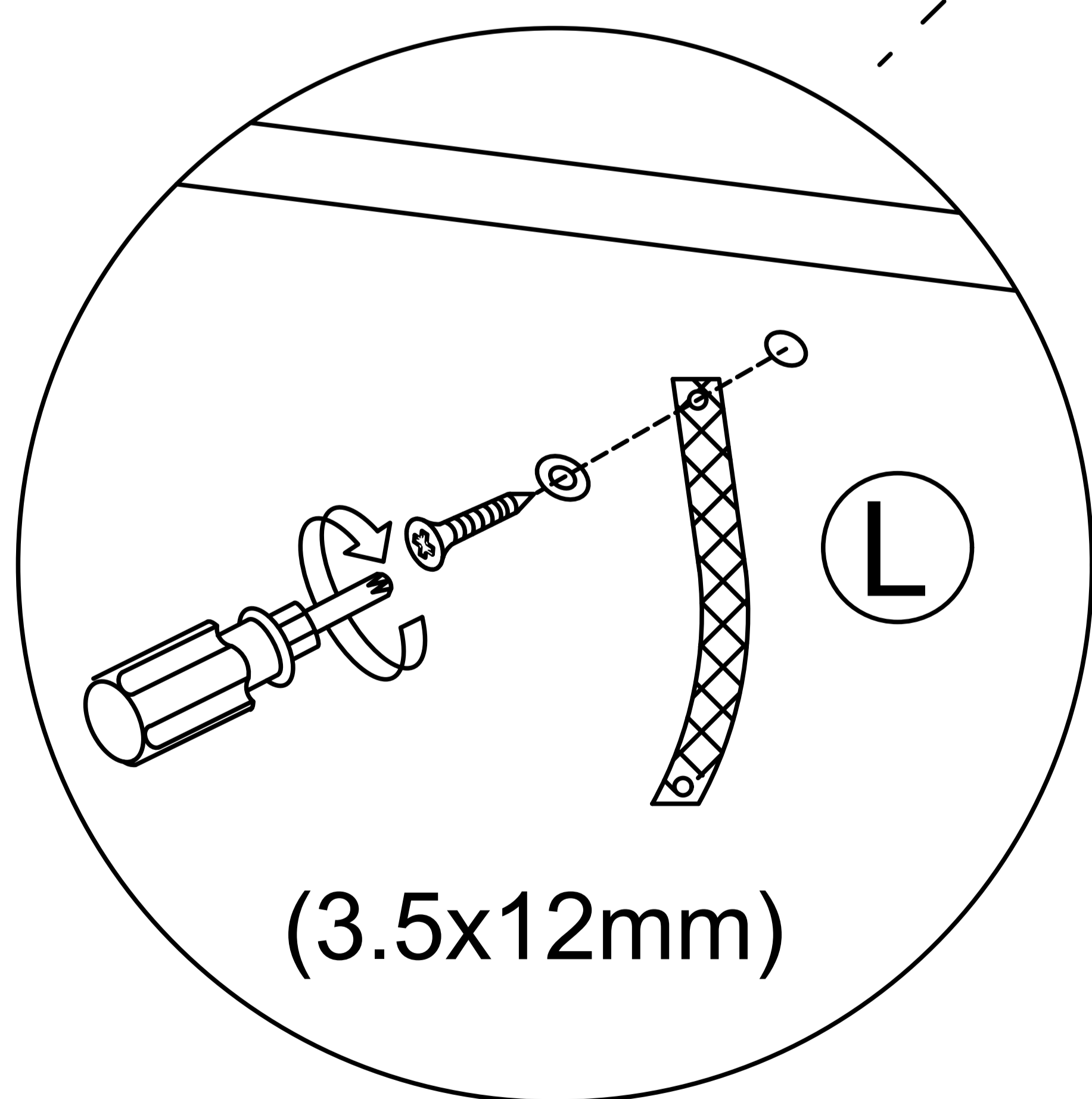
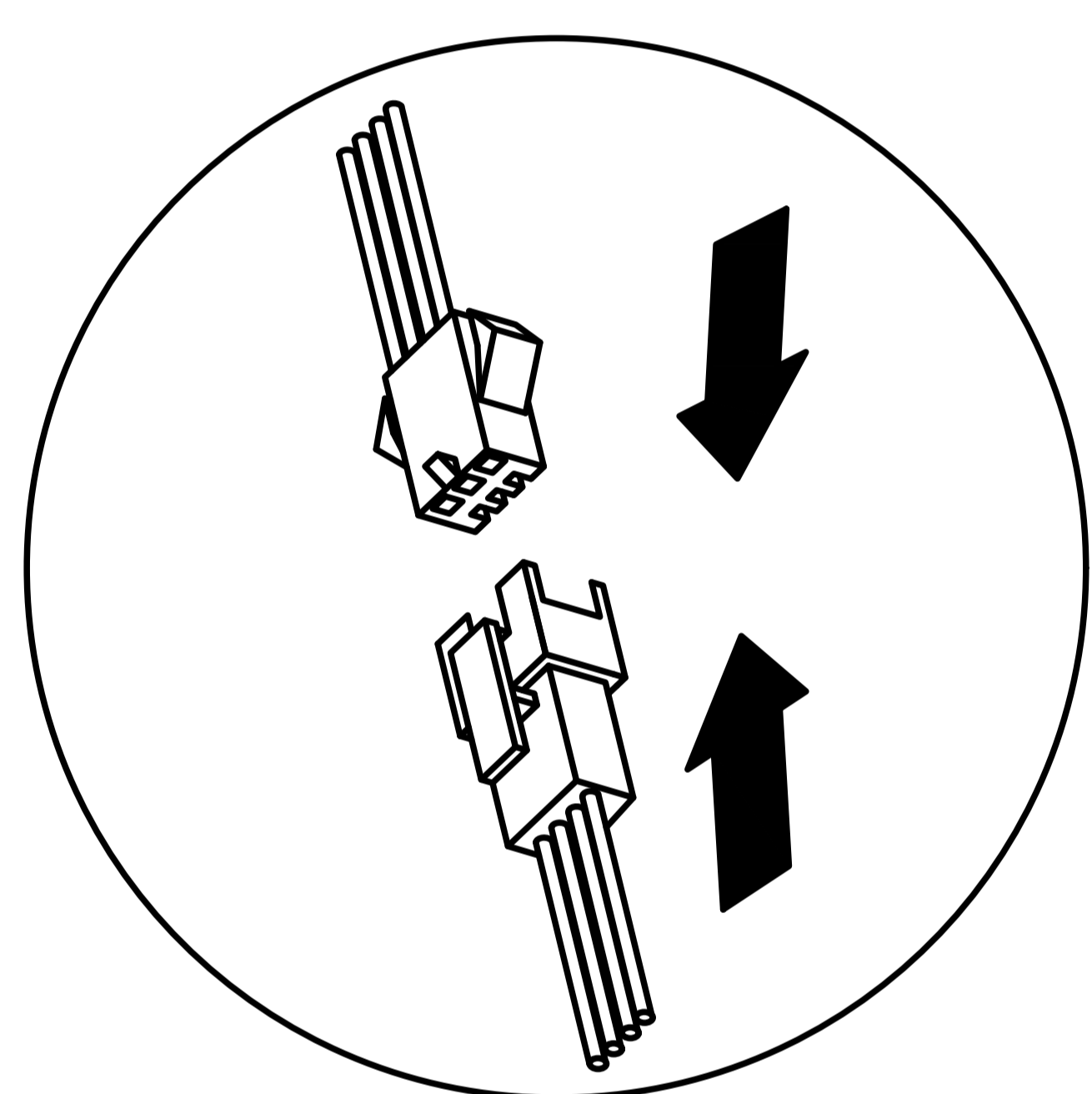
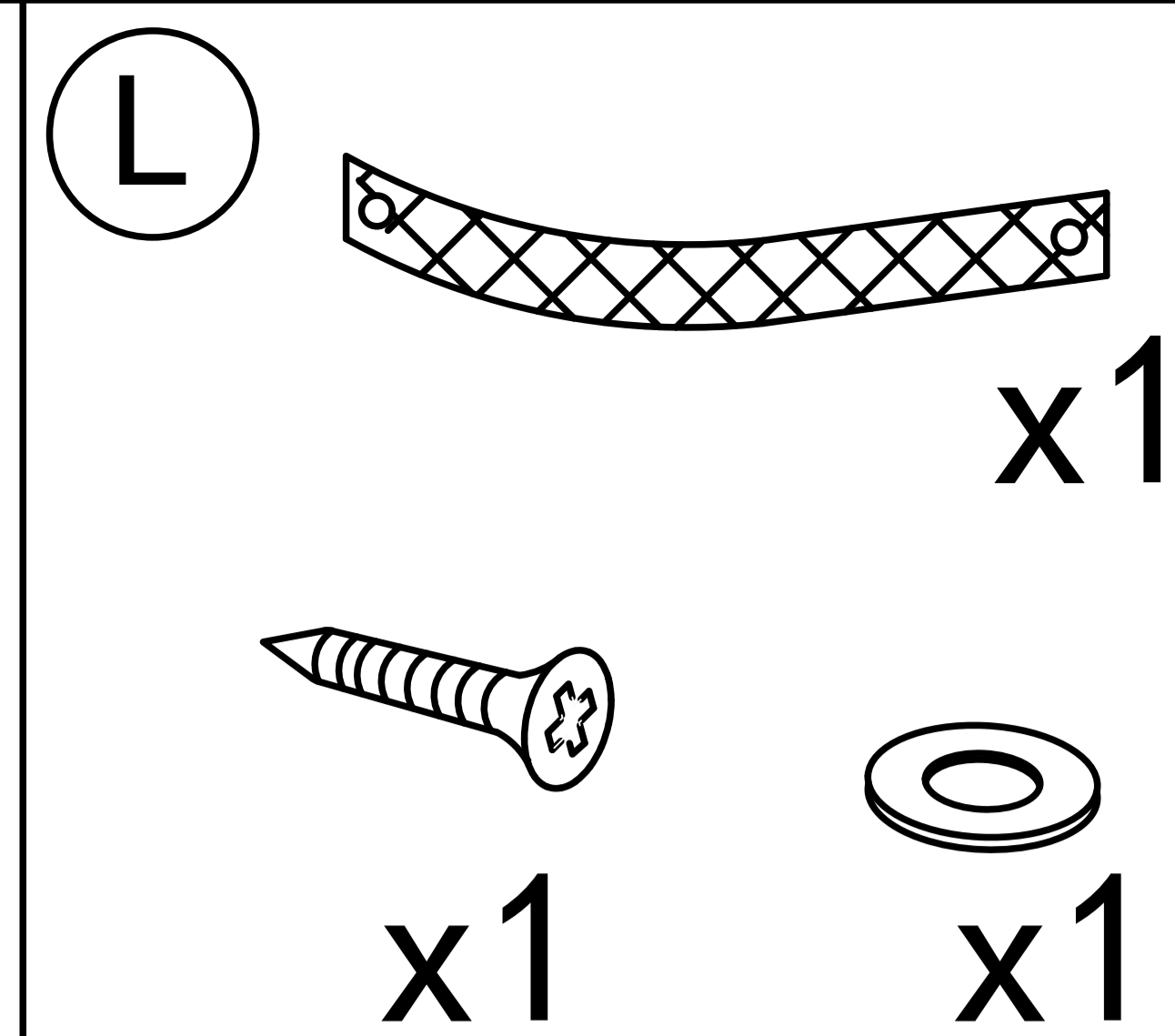


Refer to installation steps on pages 18-19

Step 56



Step 57



Step 58

Wall Mount

Drill the hole after measuring and marking position.

Wall

Wall

Wall

Wall

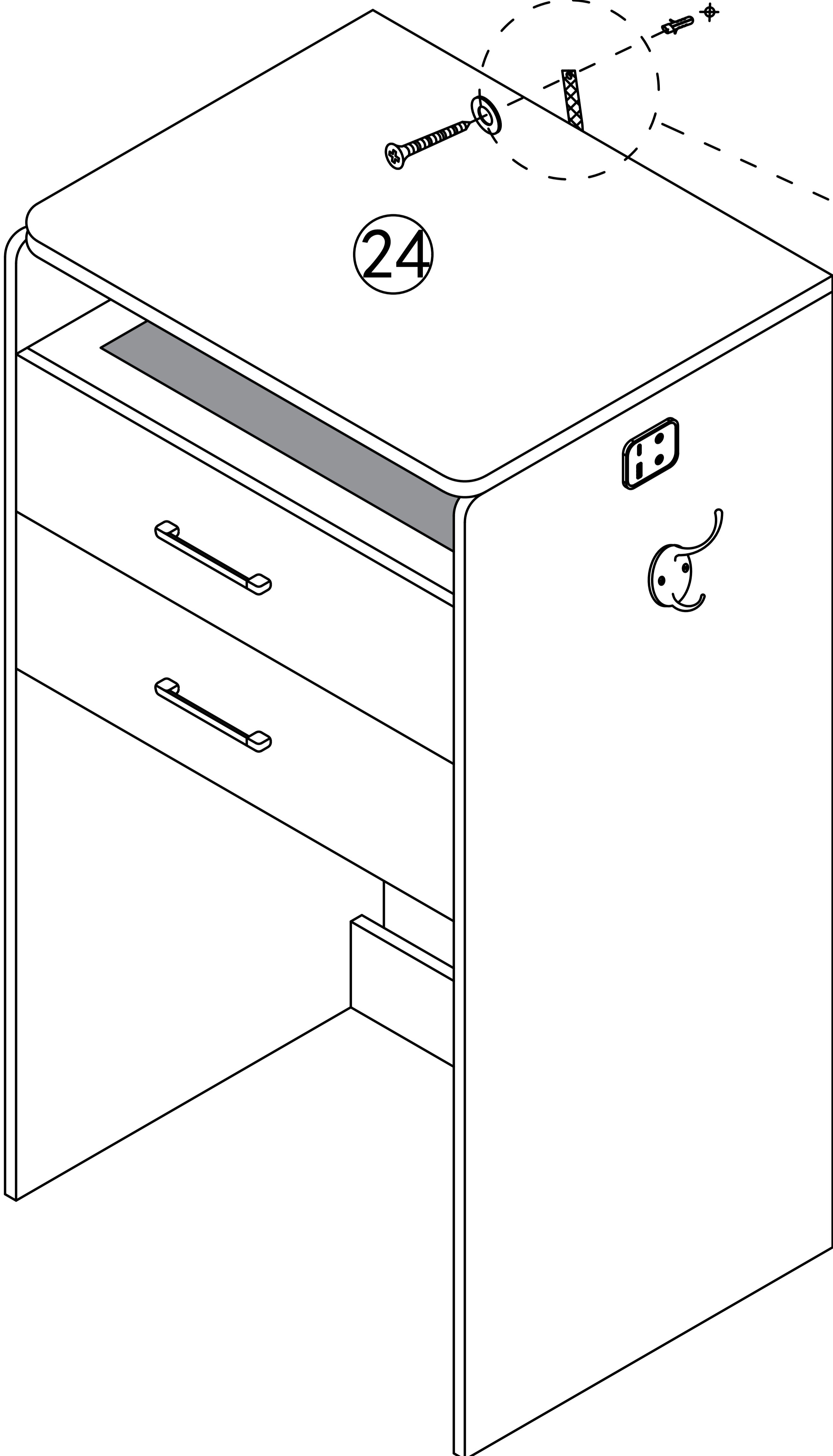
(L)

x1

x1

x1

Wall

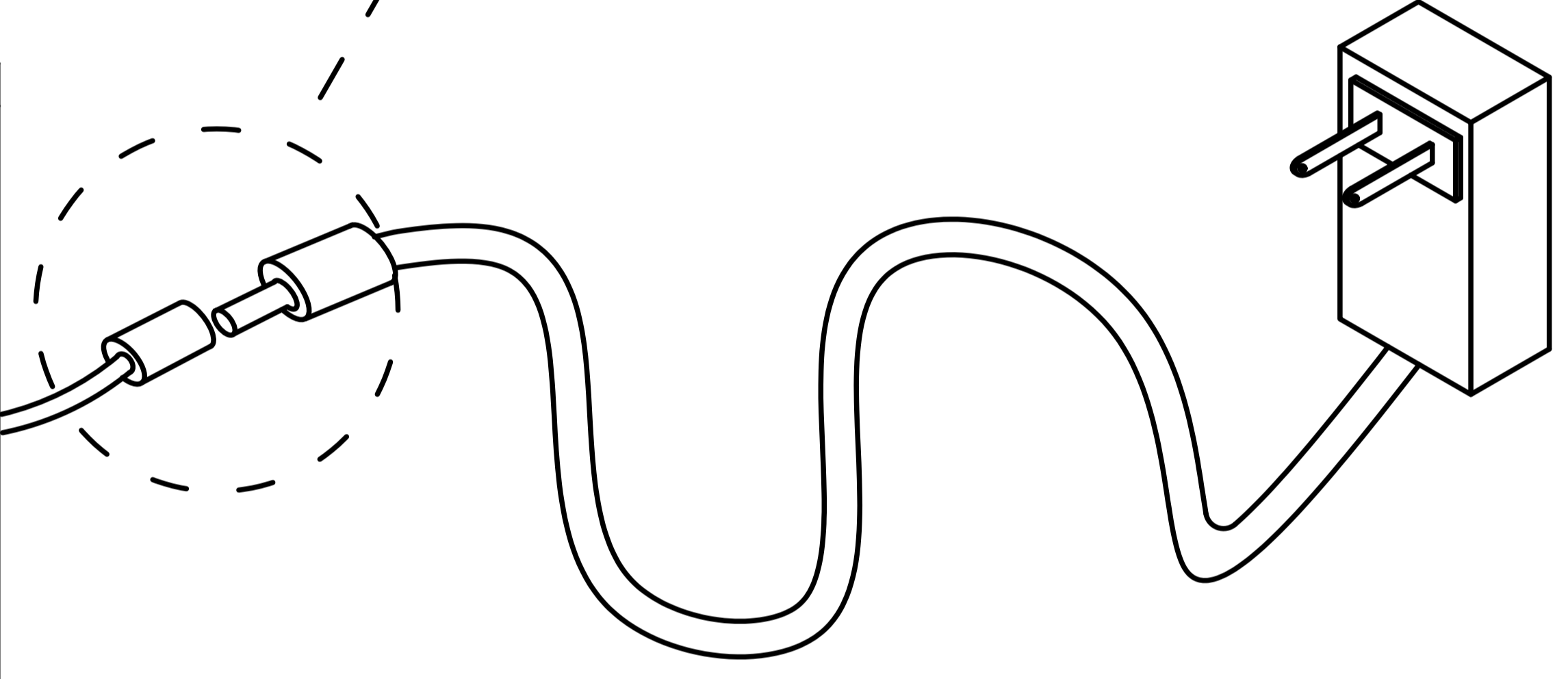
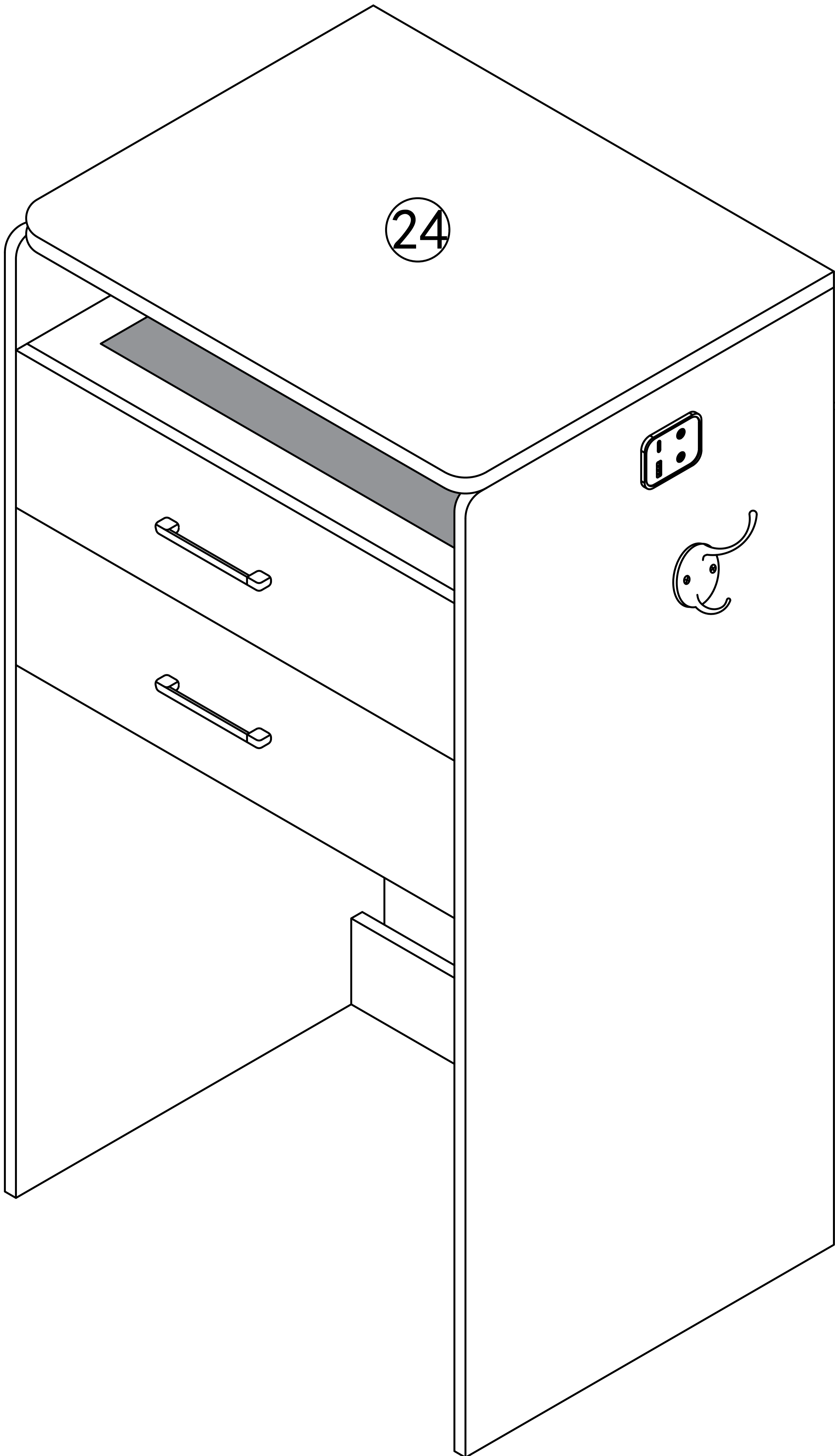
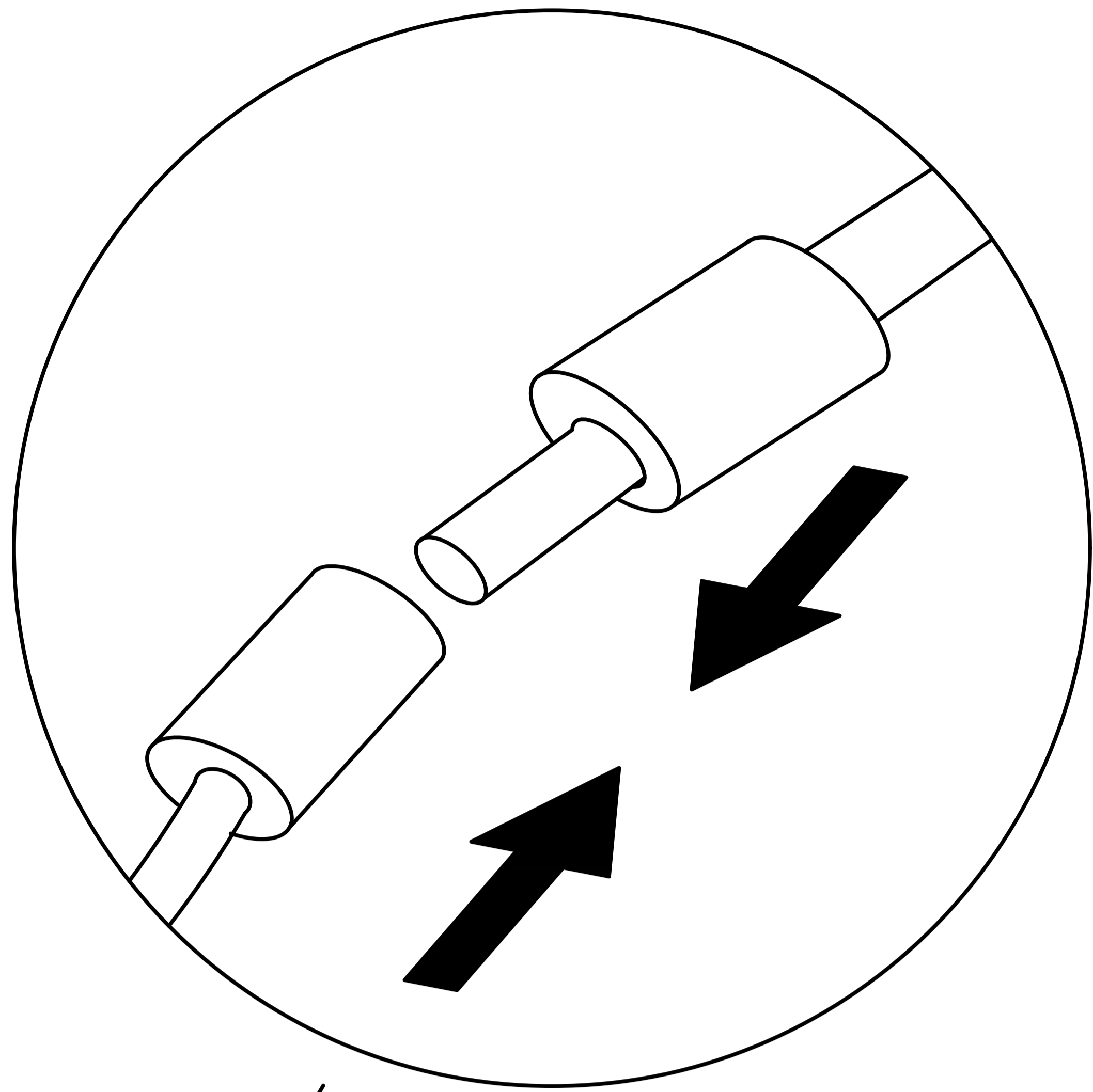
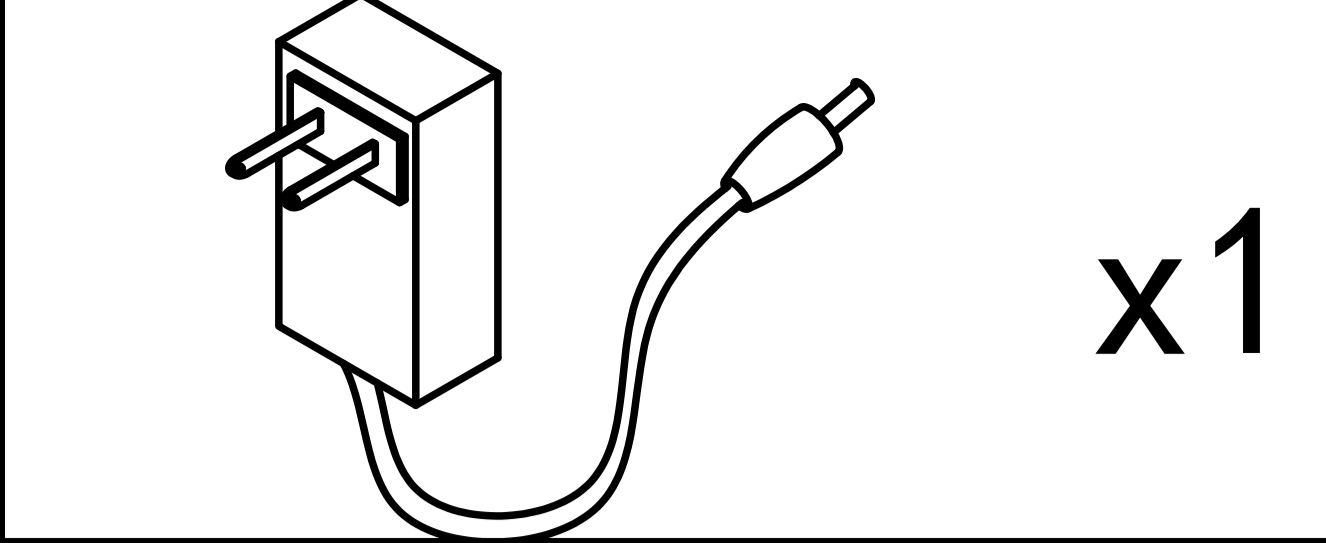


(L)

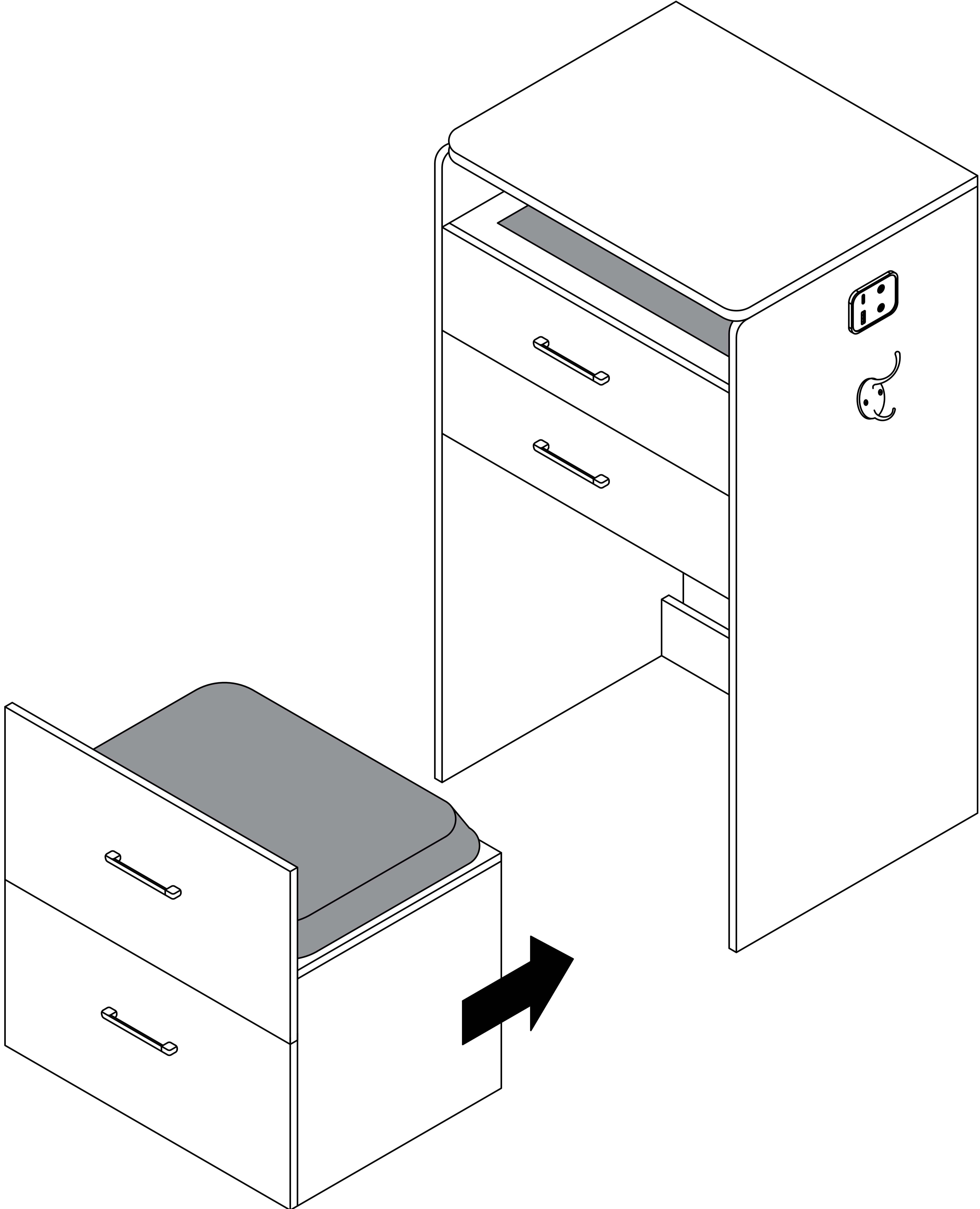
wall

(4x45mm)

Step 59



Step 60



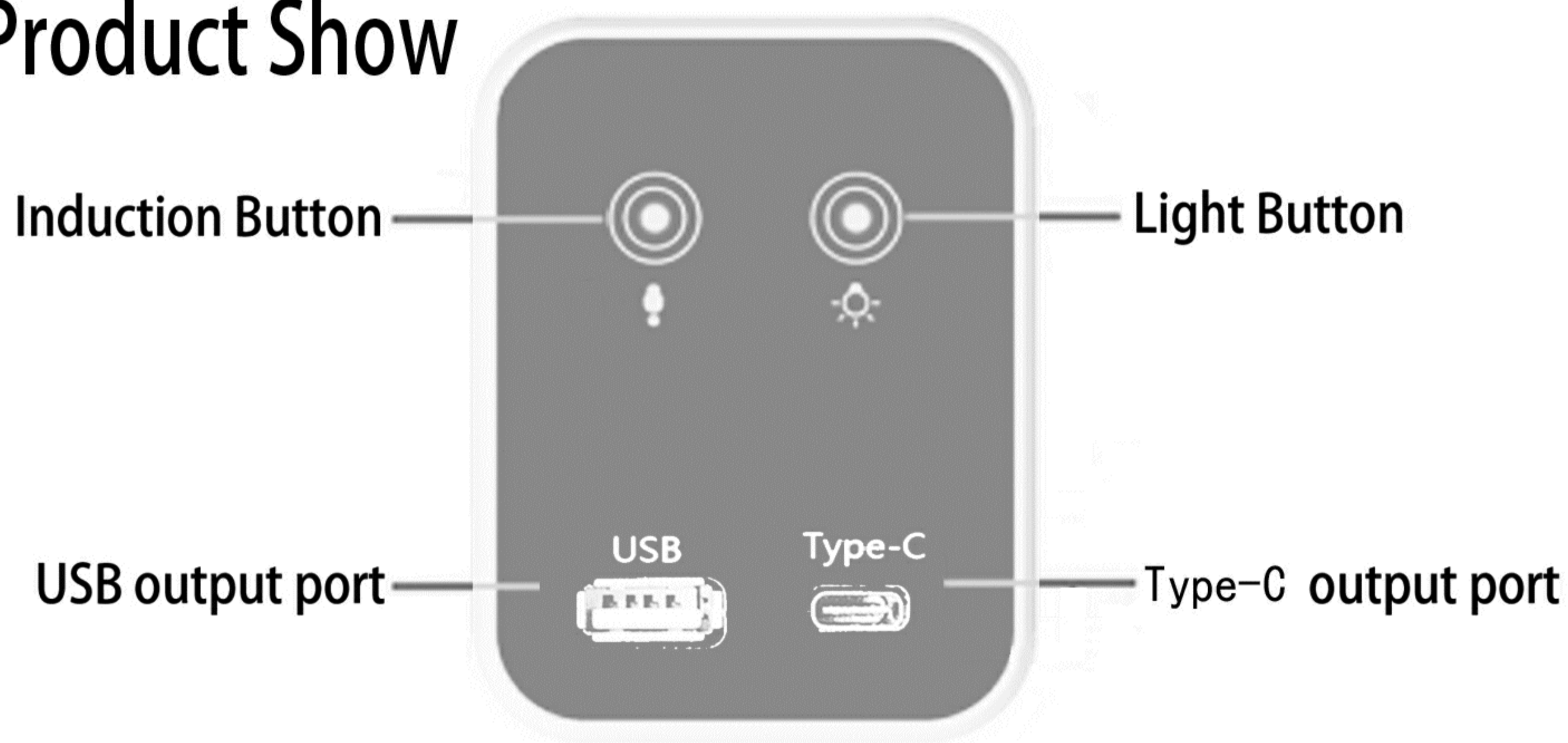
User's Guide

Thank you for purchasing this product. To use this product, please plug it into a 12V DC power supply. Please use if the product works normally after connecting to power.

Introduction

The box is an intelligent controller. It has 1 USB port and 1 type-C port and can distribute the current output up to 5V DC-2A. With 2 touch buttons, it can turn ON/OFF the light, change light colors, and adjust the light luminance.

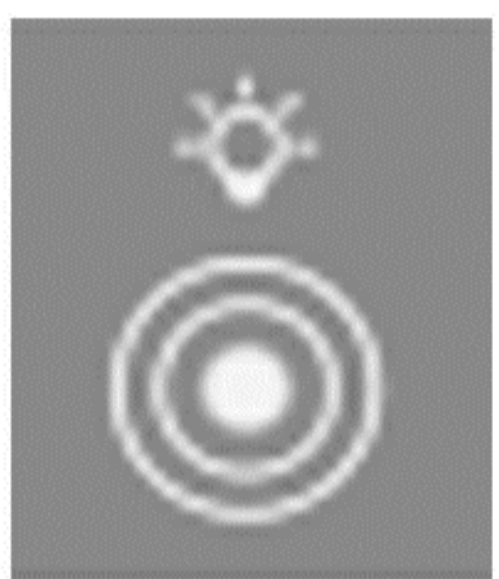
Product Show



ATTENTION PLEASE

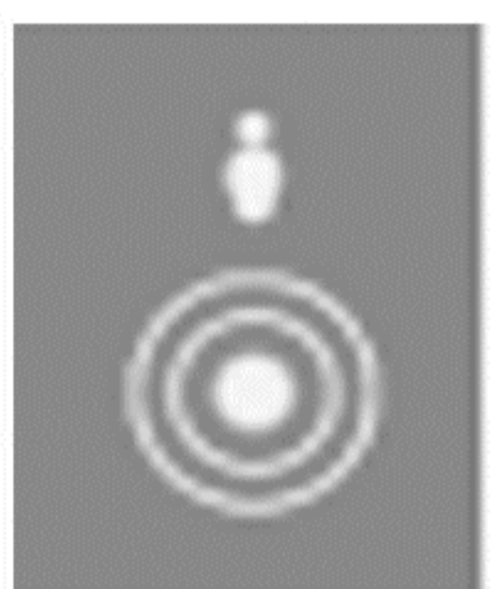
1. If there is no touch response suddenly, Re-plug the power to reset the touch static electricity.
2. If bubbles appear on the panel, remove the protective film.

Operation



This touch button is used to turn on/off, change colors, and adjust brightness.

A. Short touch -> lighting on -> short touch -> change light color -> short touch -> change light color -> short touch -> lighting off. B. Long touch -> adjust the luminance



This touch button is used to turn on/off the induction function.

A . Short touch to turn on the induction function. It can auto-turn on the light when people are close to the controller in 1 meters. It can auto power off the light when the body is far away from the controller after 30 seconds.

B . Long touch to turn off the induction function.

C . Note: When you touch the light button to change the light modes, the induction function will automatically turn off. It is best to turn on this function after selecting the light color and adjusting the brightness you want.