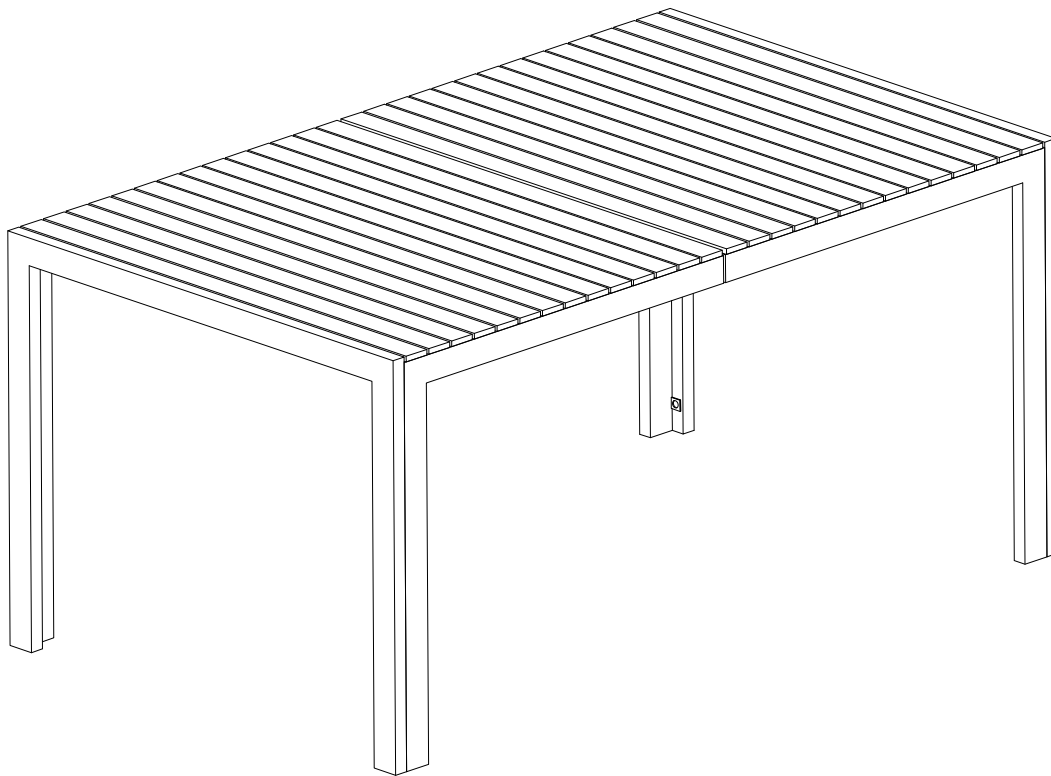


# Assembly Instructions

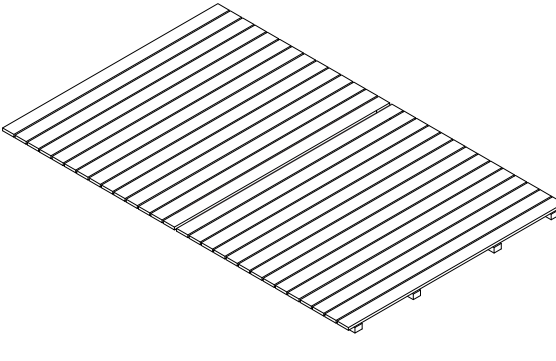
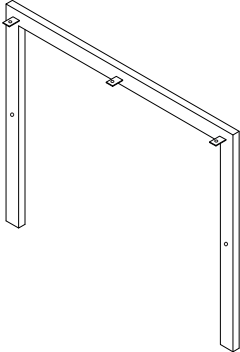
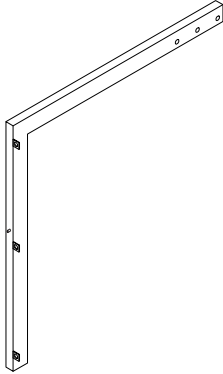
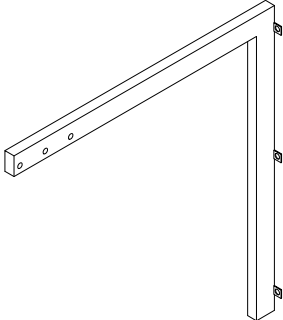

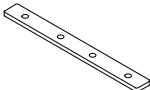
CAUTION: You must read this before you proceed.

## TABLE



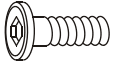

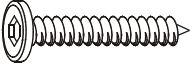
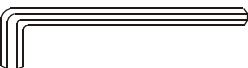
**CAUTION :** This Table is NOT a TOY.  
Keep your child / children at bay in the process of assembly.  
For turning the table and to prevent damage to the table 02 persons may be needed to execute this action

## Parts List

Label	Picture	Description	Qty
A	 A perspective view of a rectangular table top made of parallel slats.	Table Top	1
B	 A perspective view of a right-angled L-shaped leg assembly consisting of two perpendicular rectangular bars.	1st Legs	2
C	 A perspective view of a right-angled L-shaped leg assembly consisting of two perpendicular rectangular bars, similar to part B but with different proportions.	2nd Legs	2
D	 A perspective view of a right-angled L-shaped leg assembly consisting of two perpendicular rectangular bars, similar to part C but with different proportions.	3rd Legs	2
E	 A perspective view of a long, thin rectangular bar with four circular holes spaced along its length.	Side Support Bar	2
F	 A perspective view of a shorter, thin rectangular bar with four circular holes spaced along its length.	Middle Support Bars	2

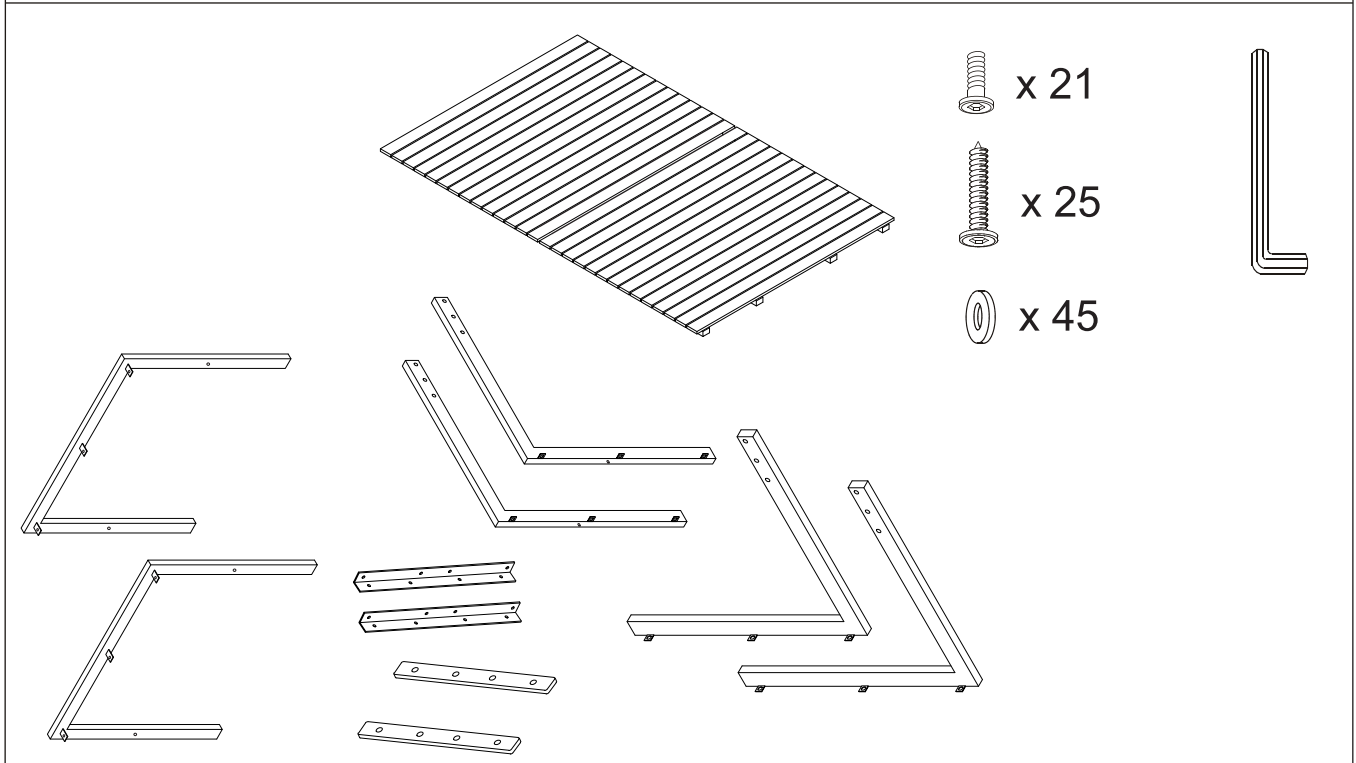
## Hardware

### Table Hardware

Label	Picture	Description	Qty
①		Bolt (M6 x 20mm)	21
②		Washers (M6/16 x 2mm)	45
③		Screws (M6 x 30mm)	25
④		Allen Key	1

## Assembly Preparation

### Before Beginning Assembly:



Read instructions, cover to cover.



Have 2 adults on hand for assembly.



Do not assemble on flooring or carpet.



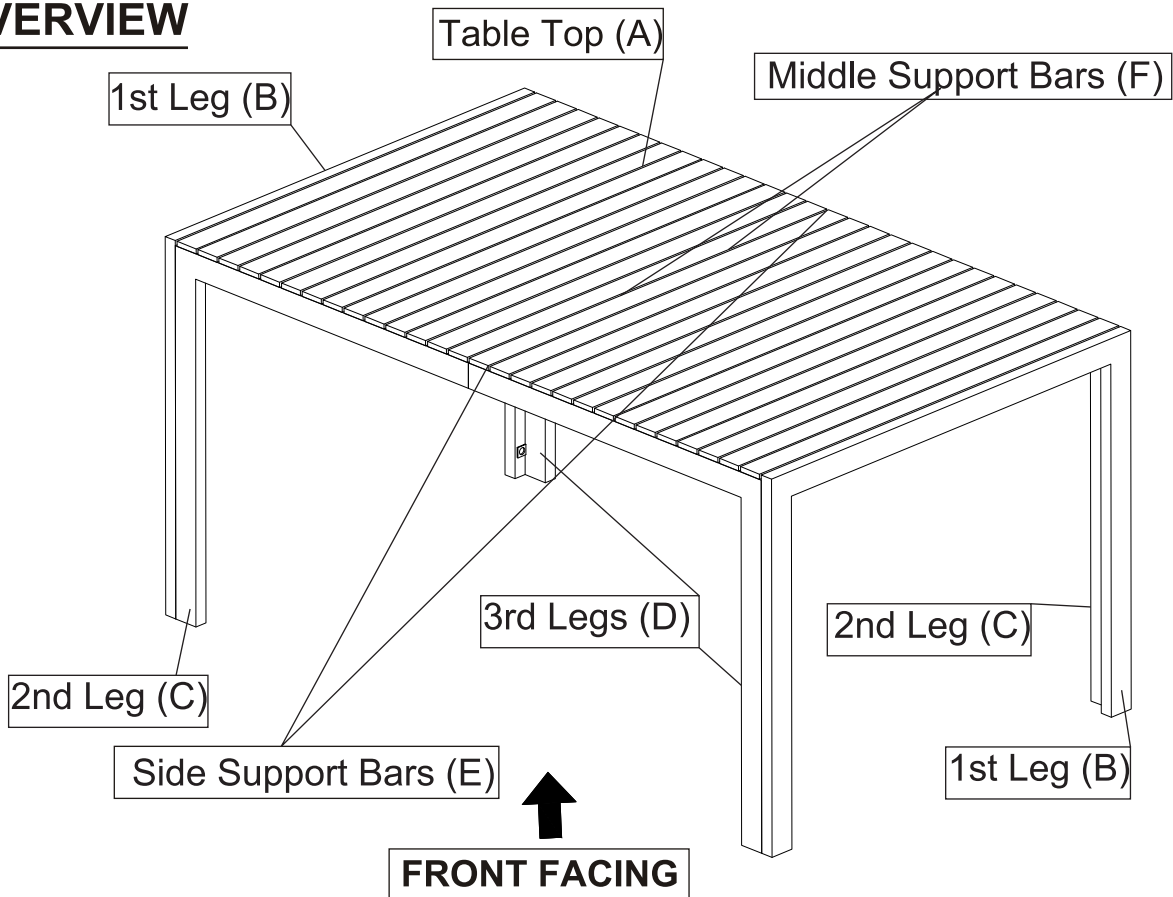
Assemble on a clean non-marring surface (packing foam).



Save all packaging until finished.

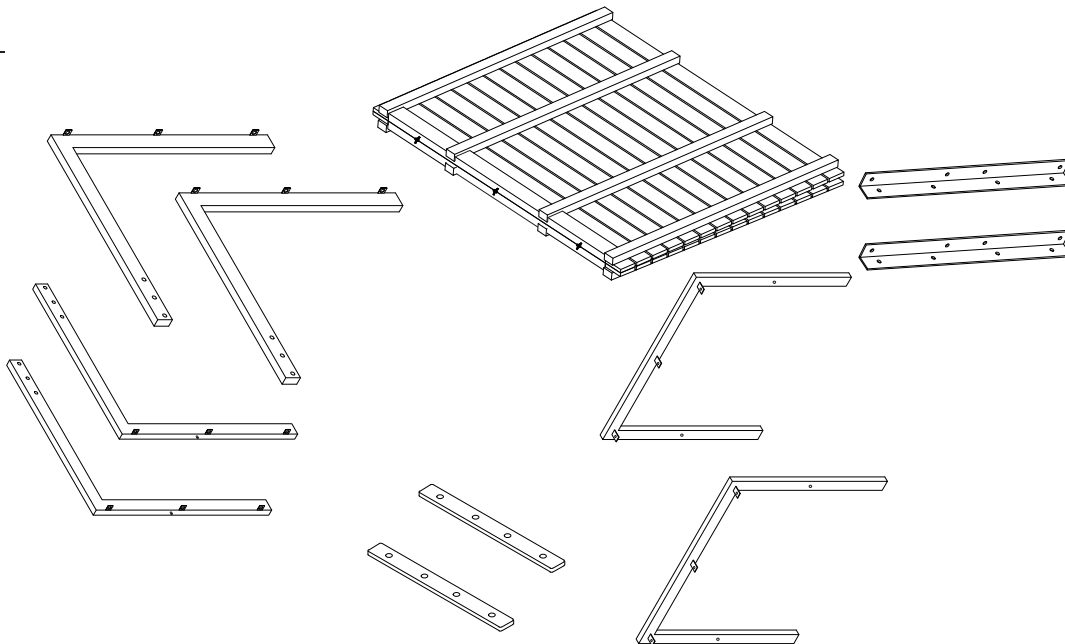
## Assembly Steps

### OVERVIEW



This Table has multiple parts and may require up to some 30 minutes to assemble. To give you an overview of the table, the above picture is to help you put the various parts into perspective. Please read through the instructions here below to familiarise the parts and steps before assembly.

### Step 1

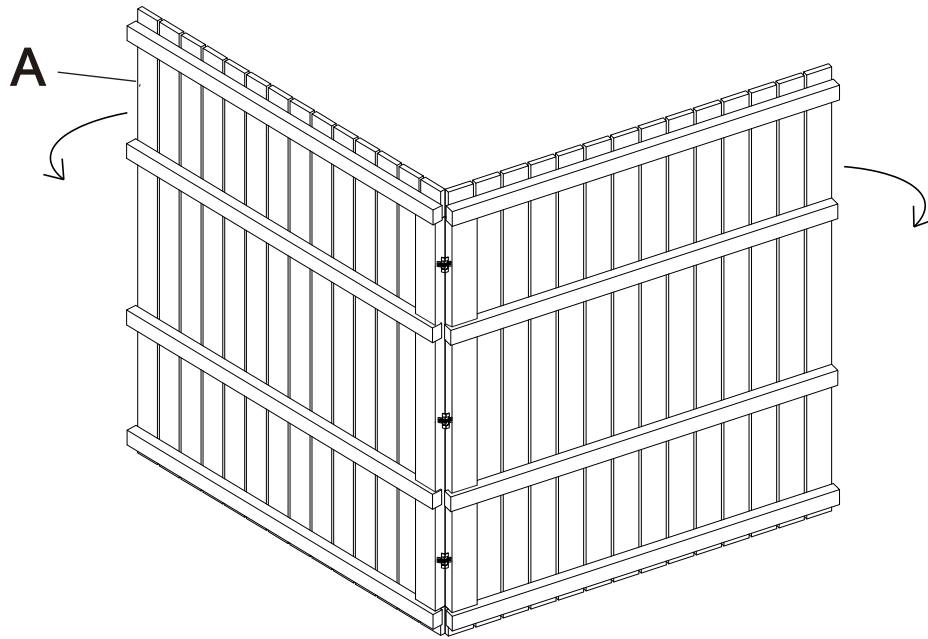


Unpack and place all parts on a clean, non-marring surface.

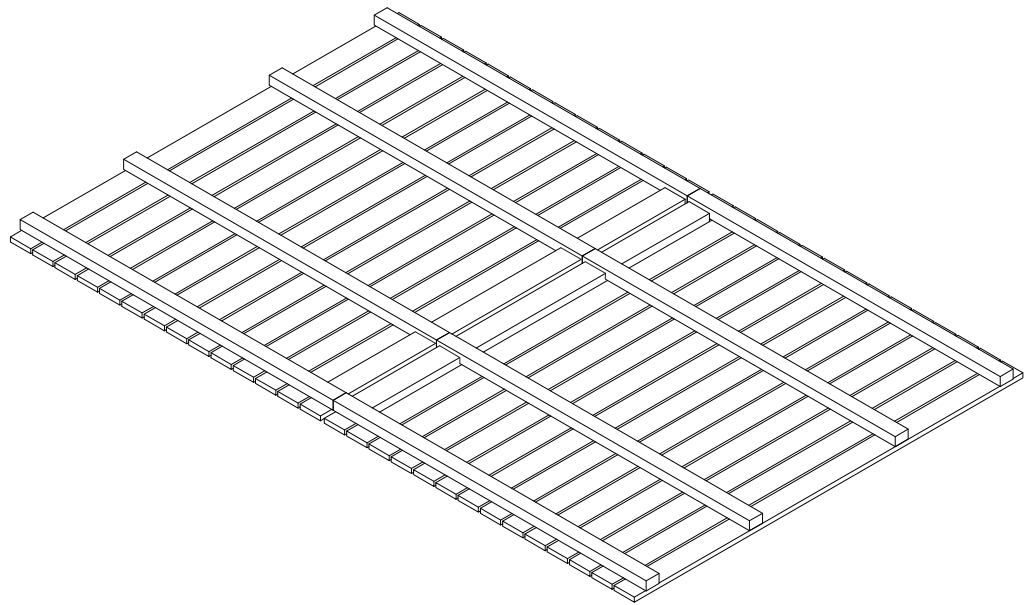
## Assembly Steps

### Step 2

#### Step 2.1



#### Step 2.2



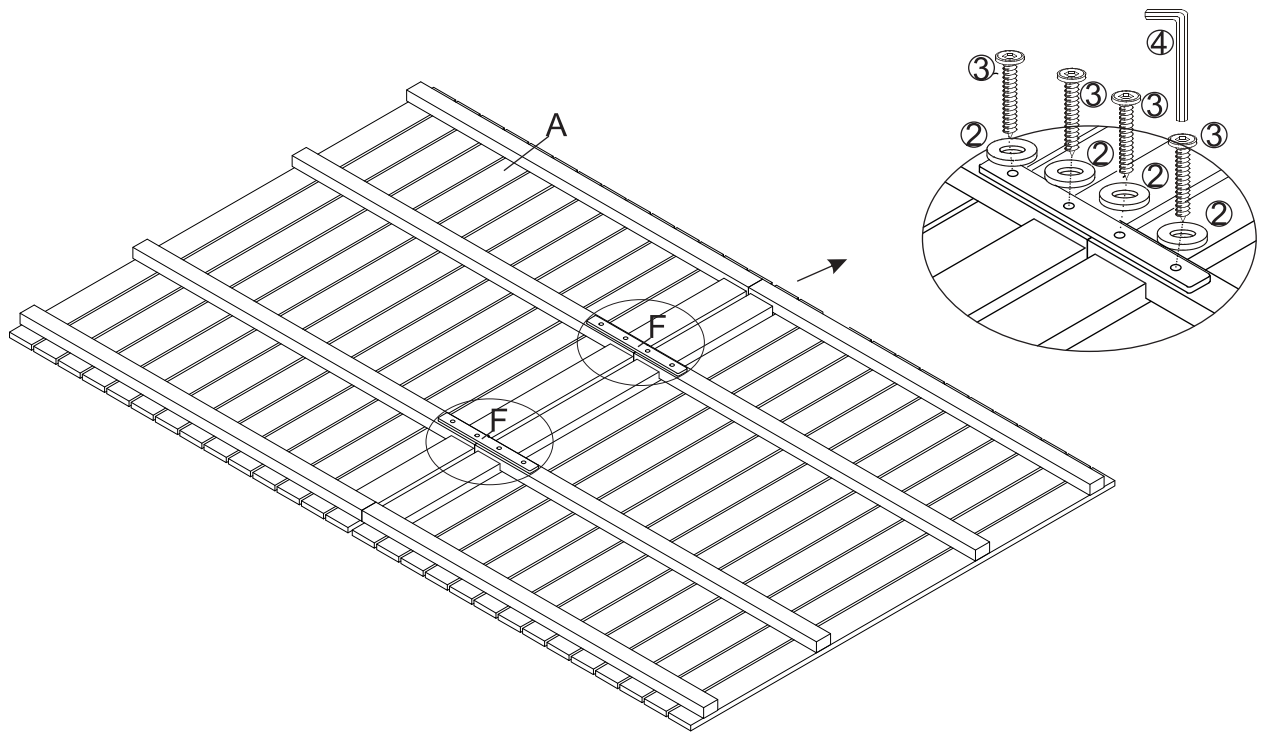
With the help from your partner

2.1: Place the Table Top (A) on one side as picture above. Slightly open the table top as the arrow.

2.2: Place the Table Top (A) with its underside skywards onto a clean, soft surface to avoid any scratches or damages to the product..

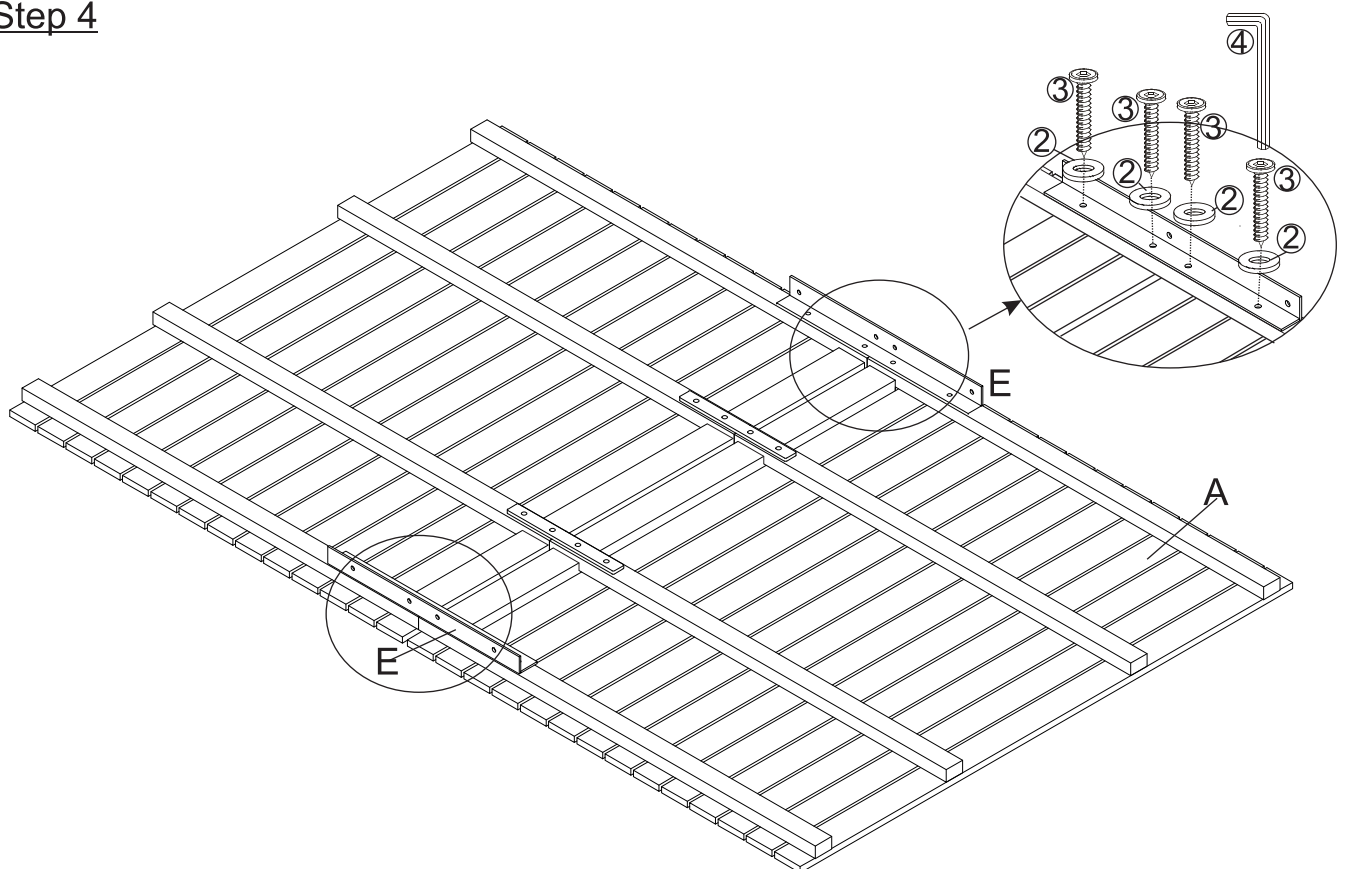
## Assembly Steps

### Step 3



Place Middle Support Bar (F) to the housings of Table Top (A), secure by using the Screw (③) , Washers(②) and Allen key (④), as shown in the picture.  
**Do not fully tighten the Screws.**

### Step 4



Place Side Support Bar (E) to the housings of Table Top (A), secure by using the Screws (③) , Washers (②) and Allen Key (④), as shown in the picture.  
**Do not fully tighten the Screws.**