

ASSEMBLY INSTRUCTIONS



Fine Furniture for every stage of life

Full Bed

REVISION 0 : 04/24/2012
REVISION 1 : 11/29/2017
REVISION 2 : 09/20/2018
REVISION 3 : 11/29/2019
REVISION 4 : 08/01/2024

ASSEMBLY INSTRUCTIONS

ASSEMBLY TIPS:

1. Remove hardware from box and sort by size.
2. Please check to see that all hardware and parts are present prior to start of assembly.
3. Please follow attached instructions in the same sequence as numbered to assure fast & easy assembly.



WARNING!

1. Don't attempt to repair or modify parts that are broken or defective. Please contact the store immediately.
2. This product is for home use only and not intended for commercial establishments.

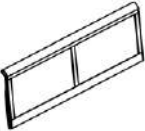


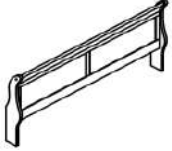

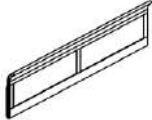




ASSEMBLY TIME




20 MINUTES

PARTS IDENTIFICATION

B1 (BOX 1)

AN	HEADBOARD PANEL		1PC	HBN	*FROM BOX 1 HEADBOARD COMPLETE		1PC
BN	LEFT HEADBOARD LEG		1PC	FBN	*FROM BOX 1 FOOTBOARD		1PC
CN	RIGHT HEADBOARD LEG		1PC				
DN	FOOTBOARD PANEL		1PC				
EN	LEFT FOOTBOARD LEG		1PC				
FN	RIGHT FOOTBOARD LEG		1PC				

B2 (BOX 2)

GN	BED RAIL		2PCS
HN	BED SLAT		4PCS
	BED SLAT IN SUPPORT WITH LEVELER		4PCS

NOTE:

Phillips head screw driver is required in the assembly process; however, manufacturer does not provide this item.

ASSEMBLY INSTRUCTIONS

ASSEMBLY TIPS:

1. Remove hardware from box and sort by size.
2. Please check to see that all hardware and parts are present prior to start of assembly.
3. Please follow attached instructions in the same sequence as numbered to assure fast & easy assembly.










WARNING!

1. Don't attempt to repair or modify parts that are broken or defective. Please contact the store immediately.
2. This product is for home use only and not intended for commercial establishments.

HARDWARE IDENTIFICATION

BOX 1 - HARDWARE PACK

1	BOLT (M6 x 35mm - BLK)		12PCS
2	LOCK WASHER (M6 - BLK)		12PCS
3	SMALL FLAT WASHER (M6 x 13mm - BLK)		4PCS
4	BIG FLAT WASHER (M6 x 19mm - BLK)		8PCS
5	ALLEN WRENCH (M4 x 65mm - BLK)		1PC
6	WOOD PLUG (14.50mm - CHY)		4PCS
7	PAN HEAD SCREW (M4 x 30mm - BLK)		8PCS

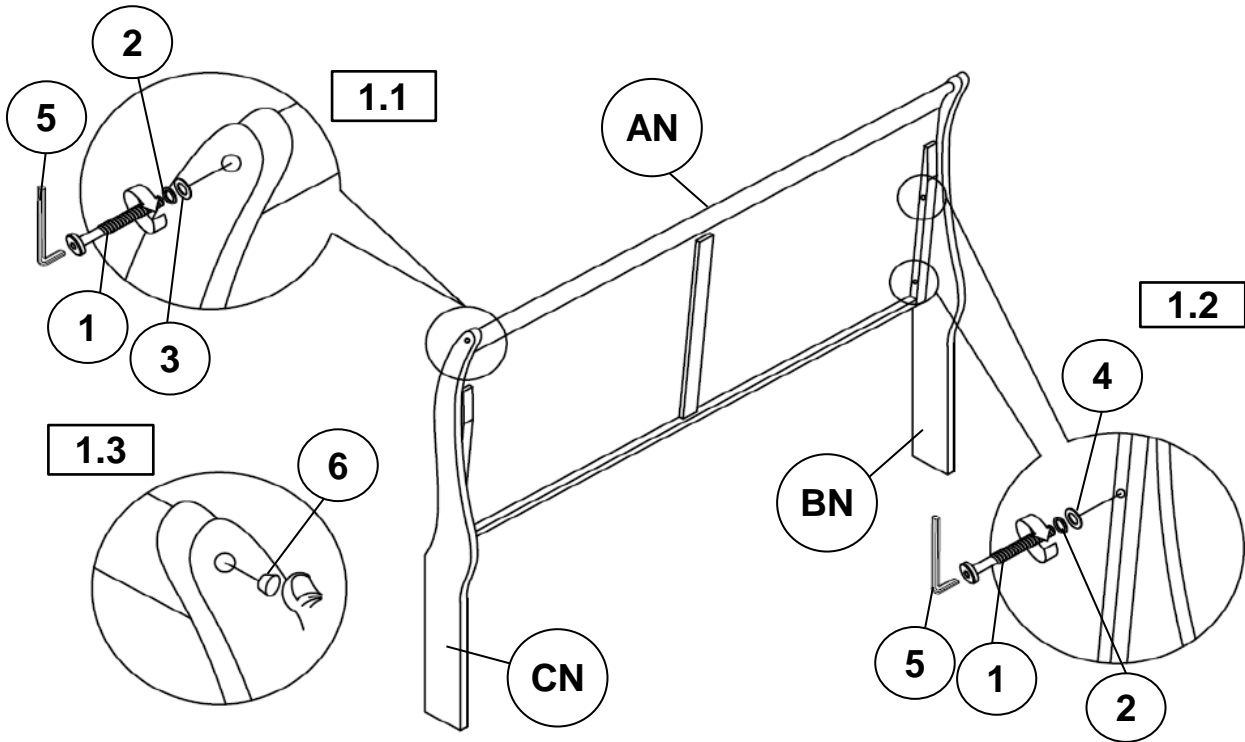
NOTE:

Phillips head screw driver is required in the assembly process; however, manufacturer does not provide this item.

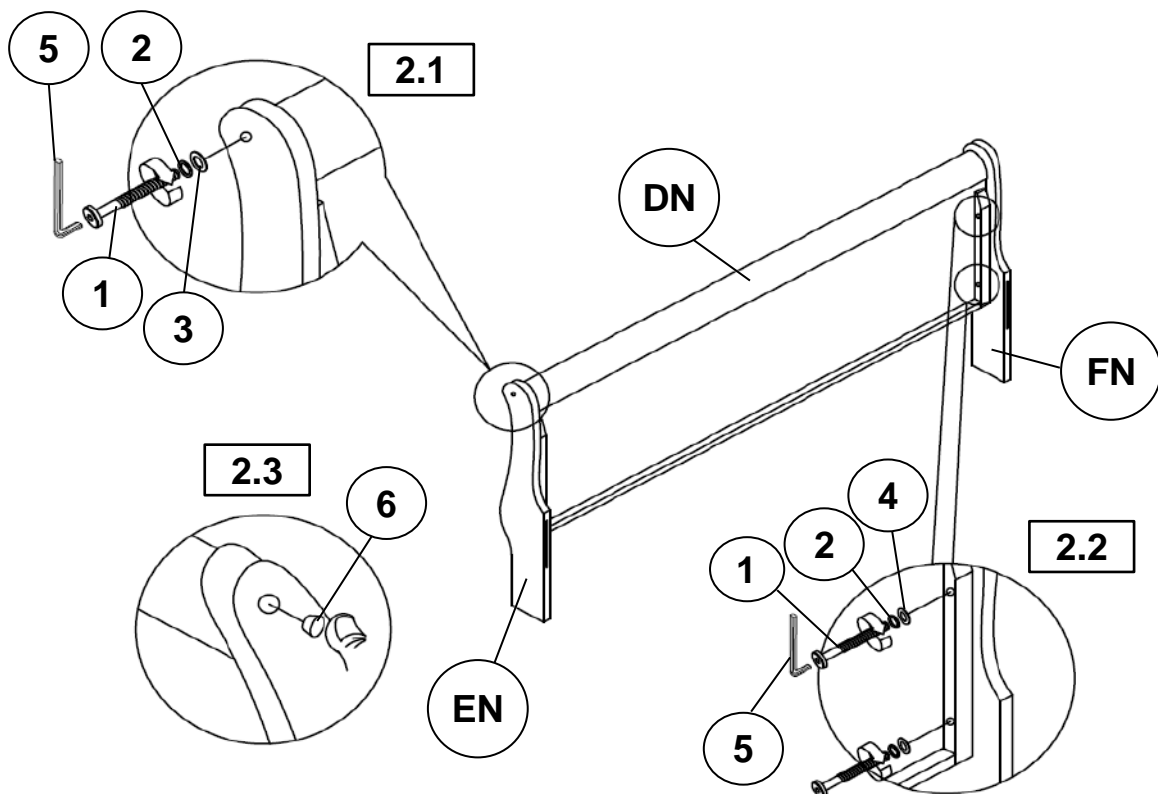
ASSEMBLY INSTRUCTIONS

BOX 1

STEP 1



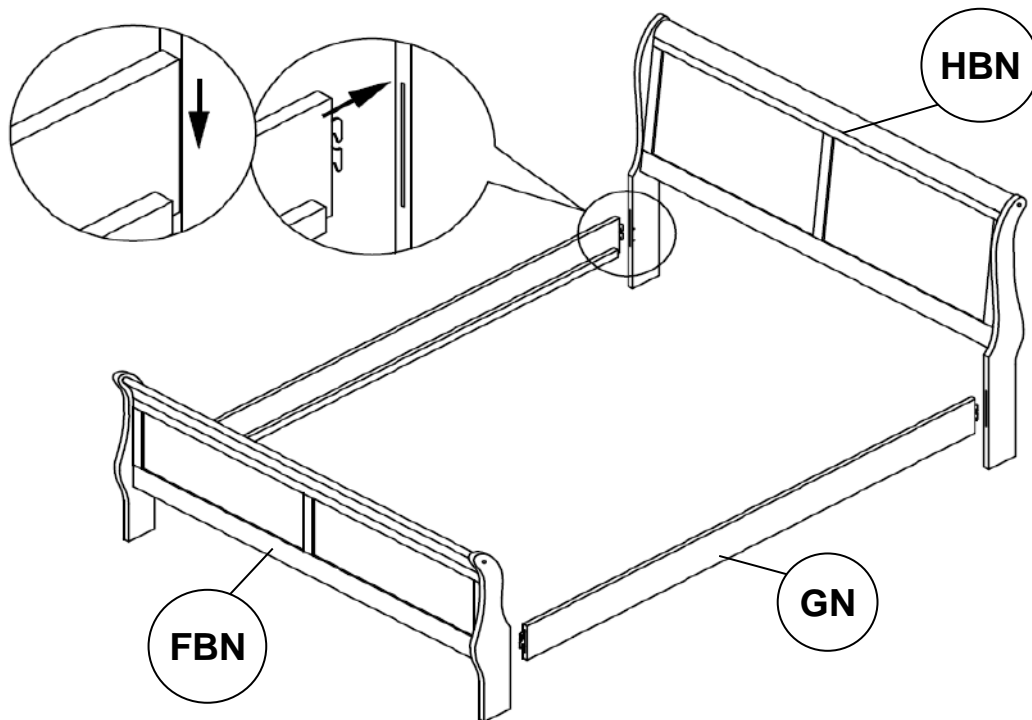
STEP 2



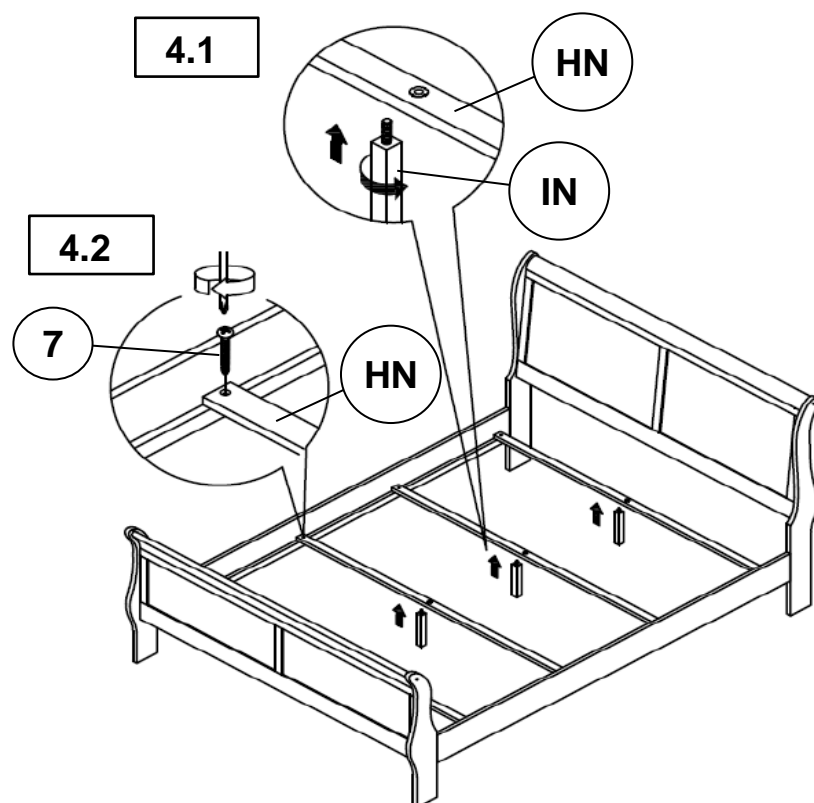
ASSEMBLY INSTRUCTIONS

BOX 1 & BOX 2

STEP 3



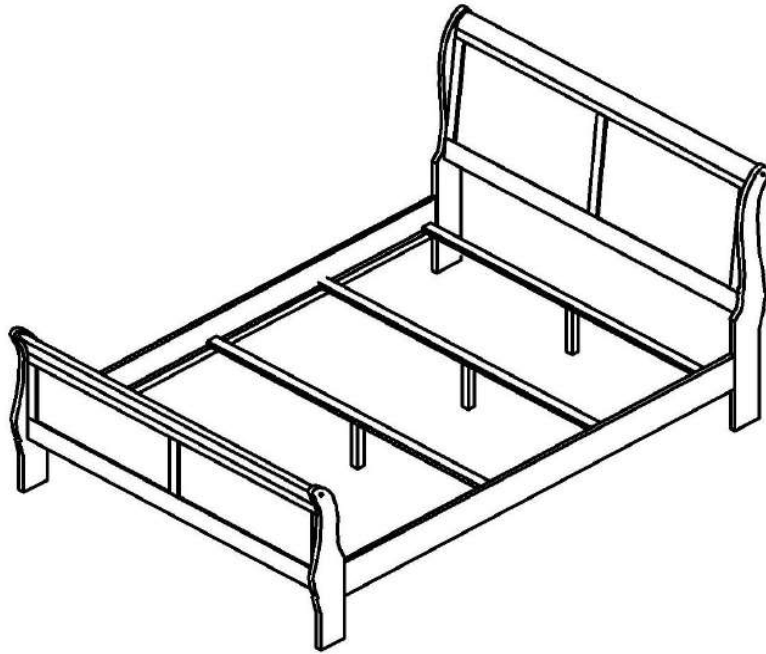
STEP 4



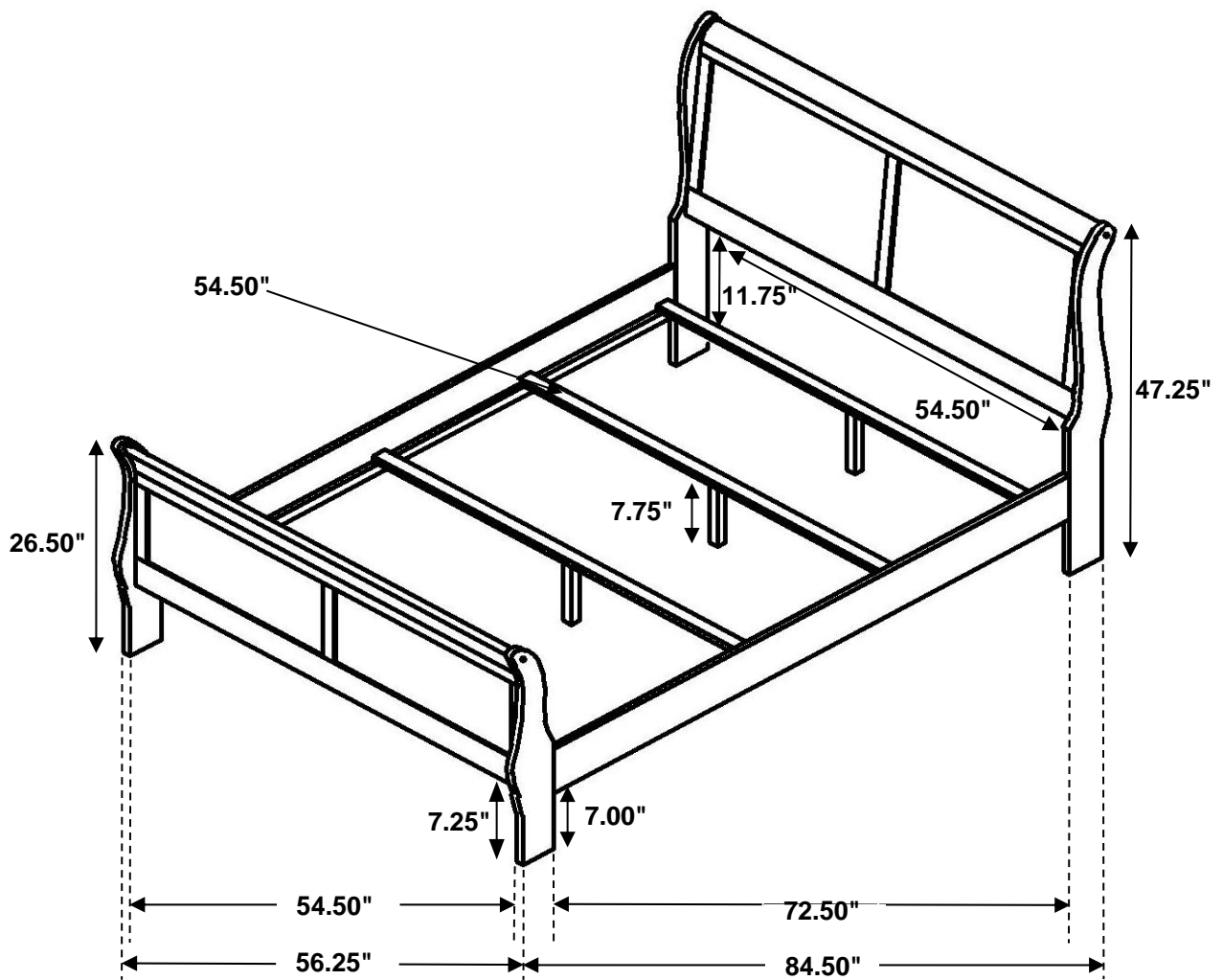
ASSEMBLY INSTRUCTIONS

STEP 5

COMPLETE



Inner Size : 54.75"W x 75.50"D



Note : Dimension tolerance $\pm 5\%$

ASSEMBLY INSTRUCTIONS



Fine Furniture for every stage of life

Dresser

REVISION 0 : 10/22/2012
REVISION 1 : 09/20/2018
REVISION 2 : 11/29/2019
REVISION 3 : 07/30/2024

PAGE 1 OF 2

ANTI-TIPPING INSTALLATION INSTRUCTIONS

FURNITURE TIPPING RESTRAINT

WARNING

Injury may result from tipping furniture.

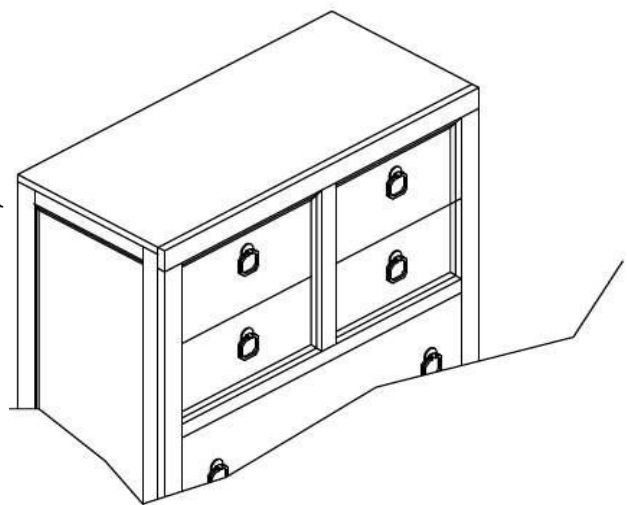
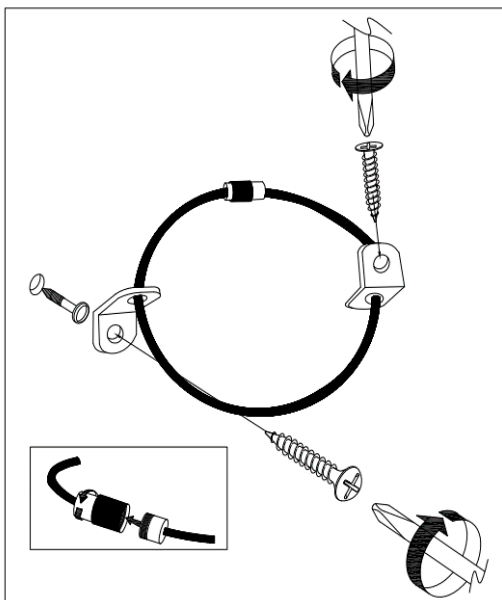
This restraint may protect against tipping furniture.

Do not allow children to climb on furniture.

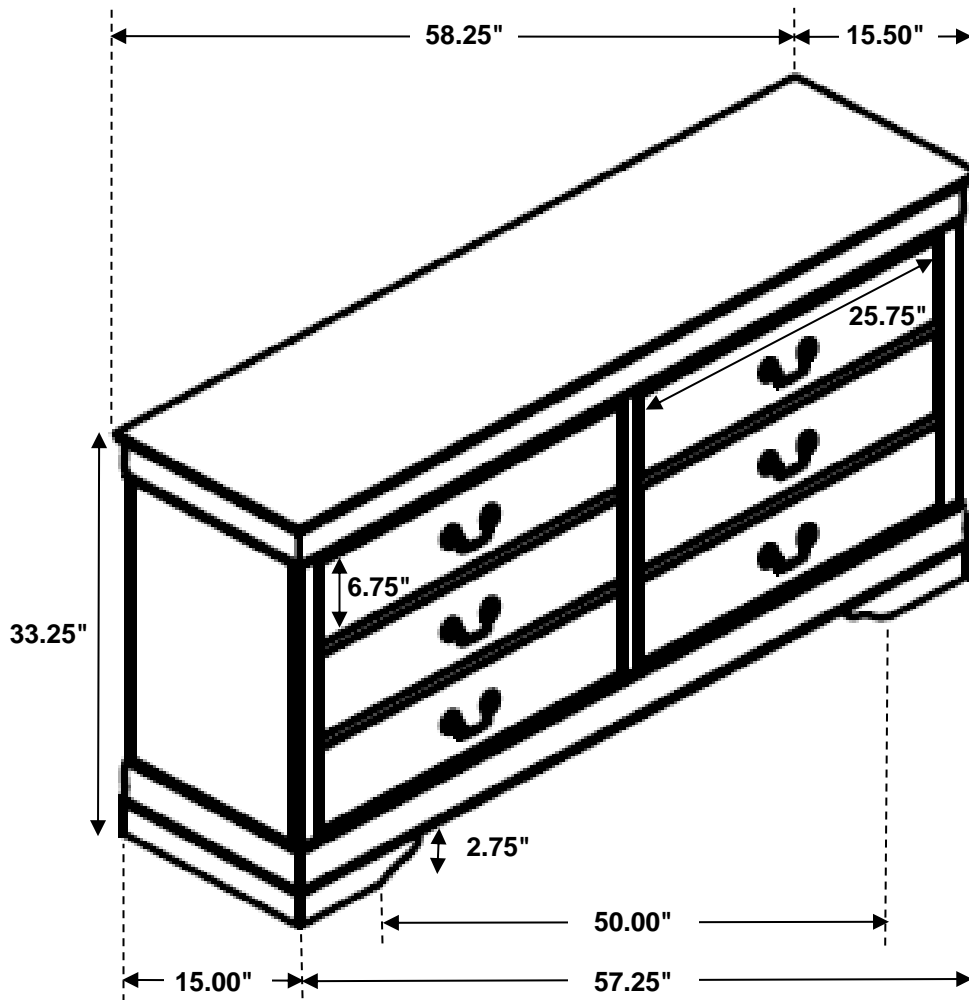
This restraint is not a substitute for proper adult supervision.

Failure to detach this restraint before moving the furniture may result in injury and damage.

1. Attach one of the mounting brackets securely to the back edge of the unit, using the short screw.
2. Determine where the unit is to be placed, and mark the location on the wall for the other mounting bracket. The bracket on the wall needs to be approximately 2" below the bracket mounted to the edge of the unit.
3. Drill a hole in the wall. Insert the plastic wall anchor into the hole and if necessary, use a small block of wood and hammer to tap it in so that it's flush with the wall.
4. Attach the bracket over the plastic wall anchor using the long screw.
5. Place the unit against the wall, both brackets need to be facing each other.
6. Lace an end of the restraint strap through the hole in each bracket. Bring both ends together and rotate the thumb nut onto the threaded end until tight.
7. Ensure that the restraint strap is securely laced and locked.

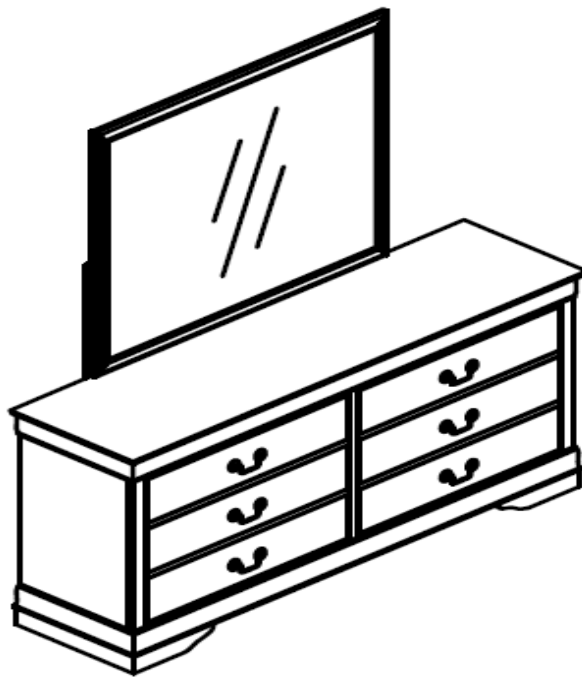


Inner Size of Drawer : 23.00"W X 12.25"D X 4.00"H X 0.50"T



Note : Dimension tolerance $\pm 5\%$

ASSEMBLY INSTRUCTIONS



Fine Furniture for every stage of life

REVISION 0 : 04/24/2012
REVISION 1 : 09/20/2018
REVISION 2 : 11/29/2019

PAGE 1 OF 4

Mirror

ASSEMBLY INSTRUCTIONS

ASSEMBLY TIPS:

1. Remove hardware from box and sort by size.
2. Please check to see that all hardware and parts are present prior to start of assembly.
3. Please follow attached instructions in the same sequence as numbered to assure fast & easy assembly.



WARNING!




1. Don't attempt to repair or modify parts that are broken or defective. Please contact the store immediately.
2. This product is for home use only and not intended for commercial establishments.



ASSEMBLY TIME

10 MINUTES

PARTS IDENTIFICATION

AN	MIRROR		1PC
BN	DRESSER		1PC
CN	MIRROR SUPPORT		2PCS

HARDWARE IDENTIFICATION

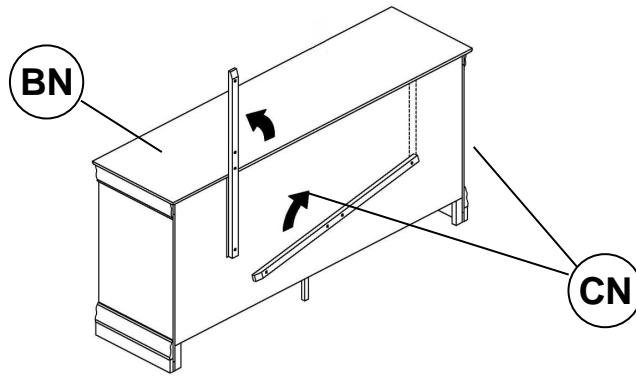
1	PAN HEAD SCREW (M4 x 32mm - BLK)		6PCS
---	-------------------------------------	---	------

NOTE:

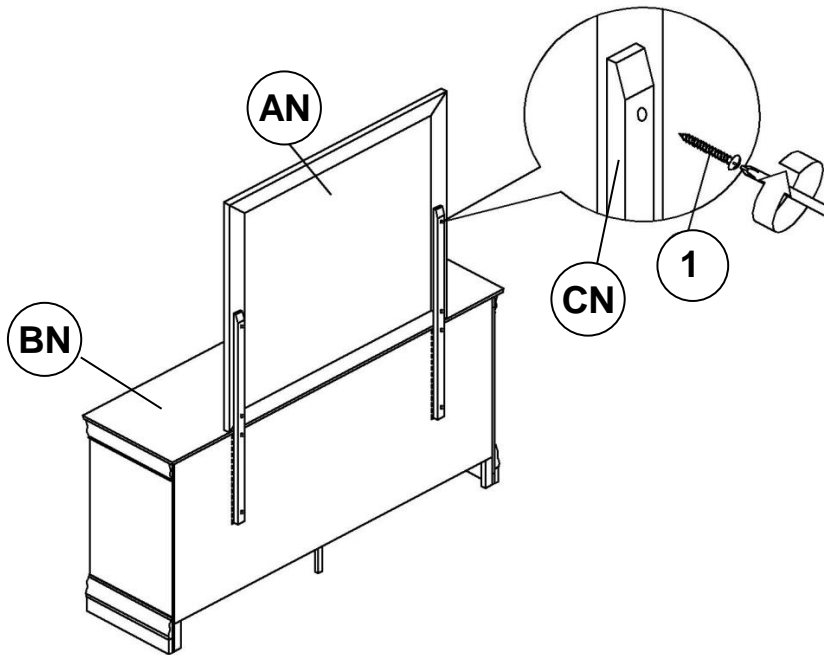
Phillips head screw driver is required in the assembly process; however, manufacturer does not provide this item.

ASSEMBLY INSTRUCTIONS

STEP 1

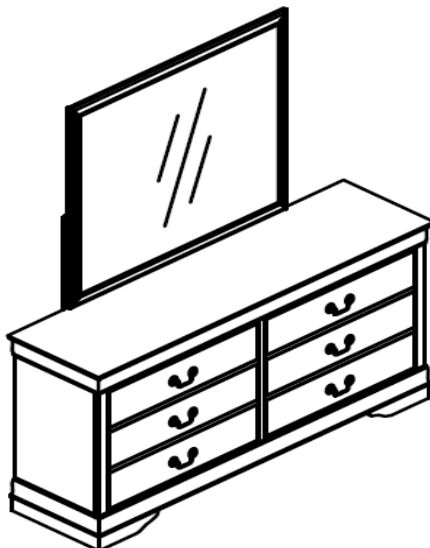


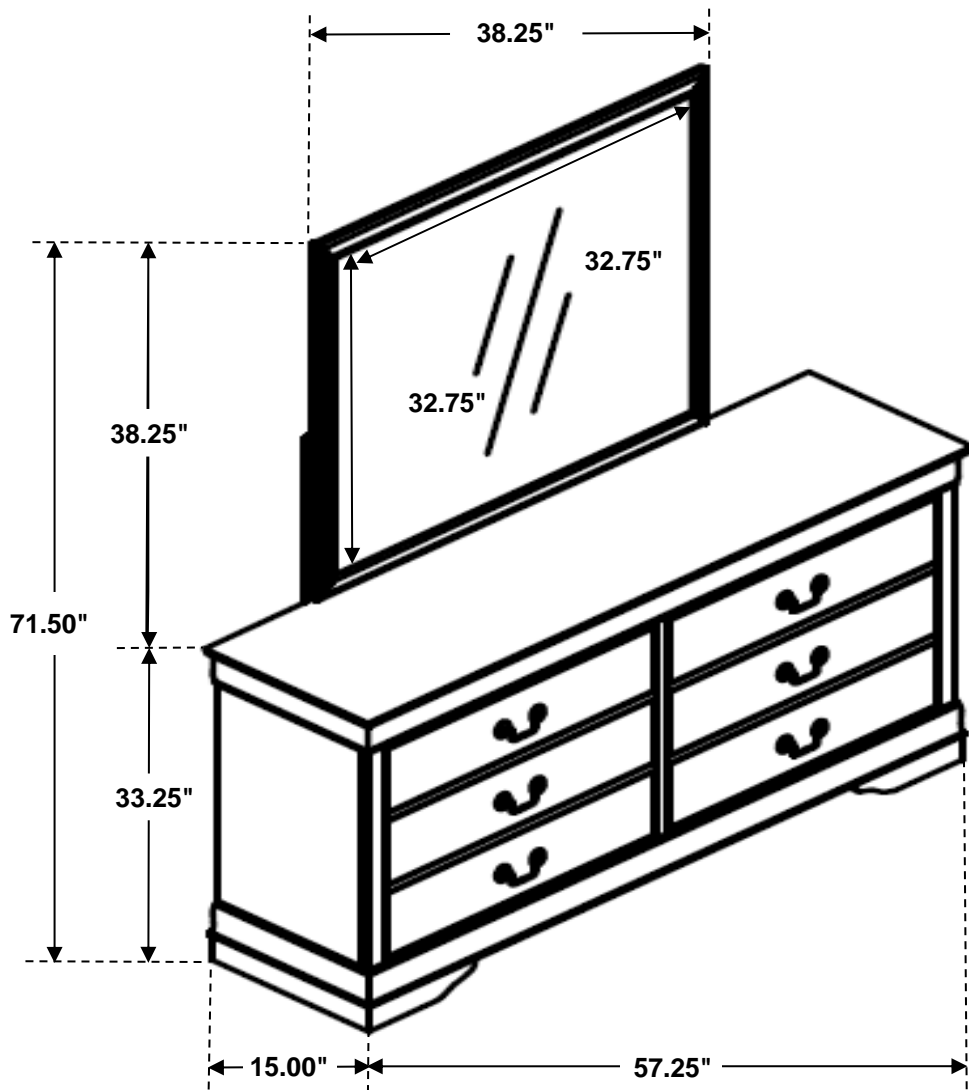
STEP 2



STEP 3

COMPLETE





Note : Dimension tolerance $\pm 5\%$

ASSEMBLY INSTRUCTIONS



Fine Furniture for every stage of life

Chest

REVISION 0 : 10/22/2012
REVISION 1 : 09/20/2018
REVISION 2 : 11/29/2019
REVISION 3 : 07/30/2024

PAGE 1 OF 2

ANTI-TIPPING INSTALLATION INSTRUCTIONS

FURNITURE TIPPING RESTRAINT

WARNING

Injury may result from tipping furniture.

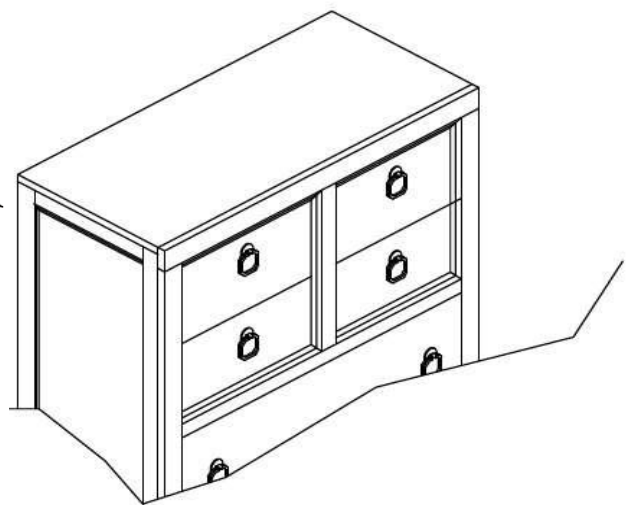
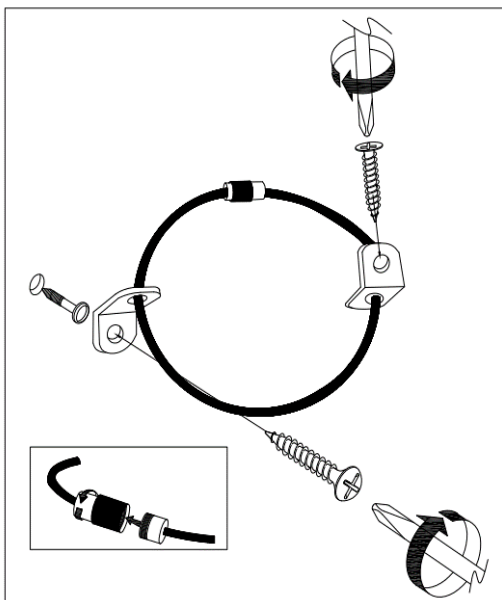
This restraint may protect against tipping furniture.

Do not allow children to climb on furniture.

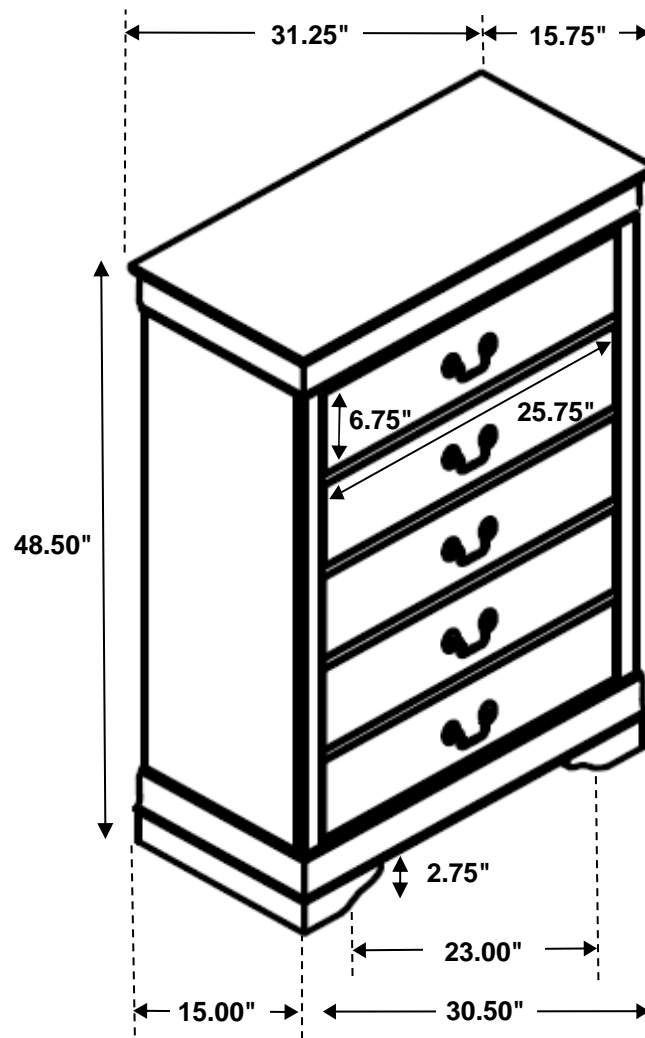
This restraint is not a substitute for proper adult supervision.

Failure to detach this restraint before moving the furniture may result in injury and damage.

1. Attach one of the mounting brackets securely to the back edge of the unit, using the short screw.
2. Determine where the unit is to be placed, and mark the location on the wall for the other mounting bracket. The bracket on the wall needs to be approximately 2" below the bracket mounted to the edge of the unit.
3. Drill a hole in the wall. Insert the plastic wall anchor into the hole and if necessary, use a small block of wood and hammer to tap it in so that it's flush with the wall.
4. Attach the bracket over the plastic wall anchor using the long screw.
5. Place the unit against the wall, both brackets need to be facing each other.
6. Lace an end of the restraint strap through the hole in each bracket. Bring both ends together and rotate the thumb nut onto the threaded end until tight.
7. Ensure that the restraint strap is securely laced and locked.



Inner Size of Drawer : 23.00"W X 12.25"D X 4.00"H X 0.50"T



Note : Dimension tolerance $\pm 5\%$