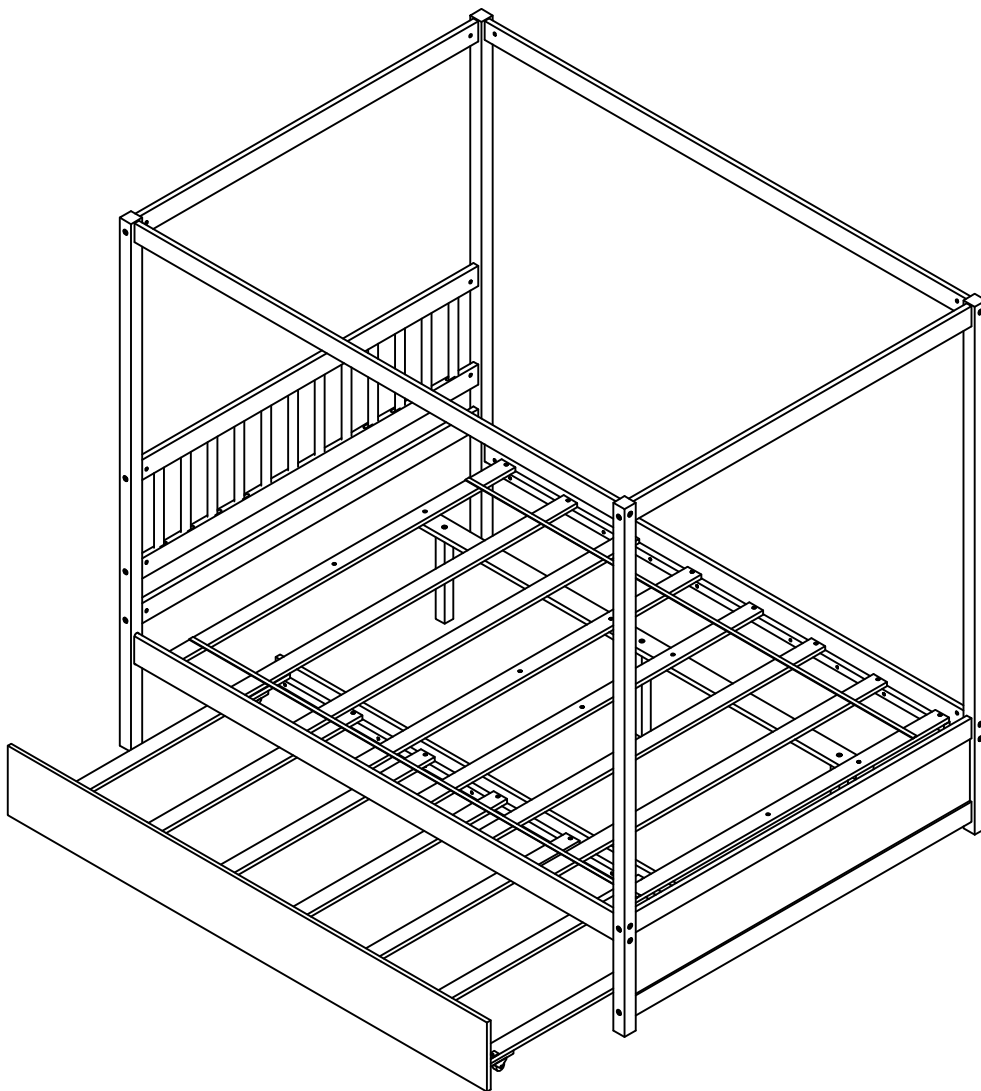


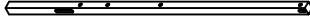

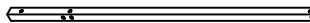

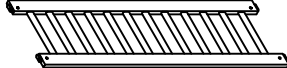
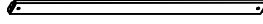
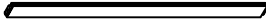


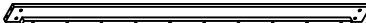


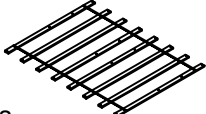
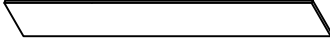

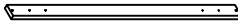
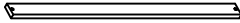
ASSEMBLY INSTRUCTIONS

FULL BED WITH TRUNDLE

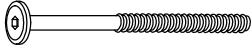
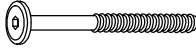

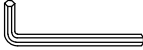
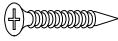


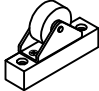



Part List

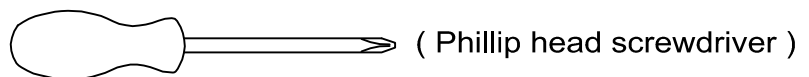
Hardware List

A  Leg HB (left) - 1pc	B  Leg HB (right) - 1pc	C  Leg FB (left) - 1pc
D  Leg FB (right) - 1pc	E  HB Frame - 1pc	F  Horizontal HB/FB - 3pcs
G  Horizontal FB - 2pcs	H  Panel FB - 1pc	I  Upper horizontal - 2pcs
J  Side rail - 2pcs	K  Leg support - 3pcs	L  Lower support slat - 1pc
M  Slats - 8pcs	N  Trundle front panel - 1pc	O  Trundle back panel - 1pc
P  Trundle slats - 2pcs	Q  Slats - 5pcs	

Hardware List

1  (Ø15)1/4"*100mm Hex-Head bolts (12pcs)	2  (Ø15)1/4"*80mm Hex-Head bolts (14pcs)	3  1/4"*15 (9.5mm) Horizontal-Hole bolts(26pcs)
4  (1/4")4.5*58mm Allen key (1pc)	5  Ø4*30mm Wood screws (42pcs)	6  95*95*18*3mm Metal bracket (2pcs)
7  Ø3.5*15mm Wood screws (16pcs)	8  100*63*20mm Wheels (4pcs)	9  40*18*18*2mm Metal bracket (2pcs)

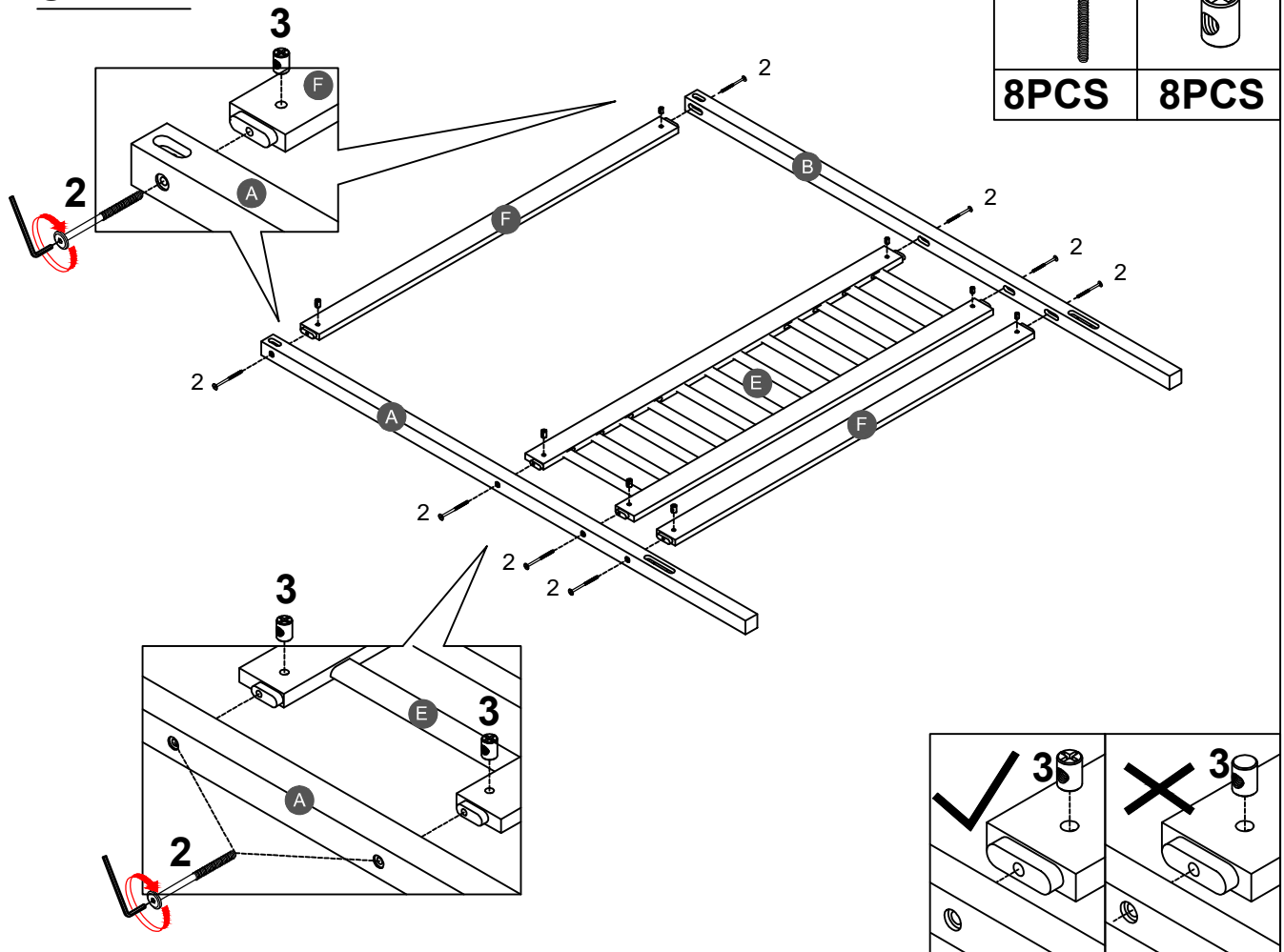
ASSEMBLY TOOLS REQUIRED (NOT INCLUDED)



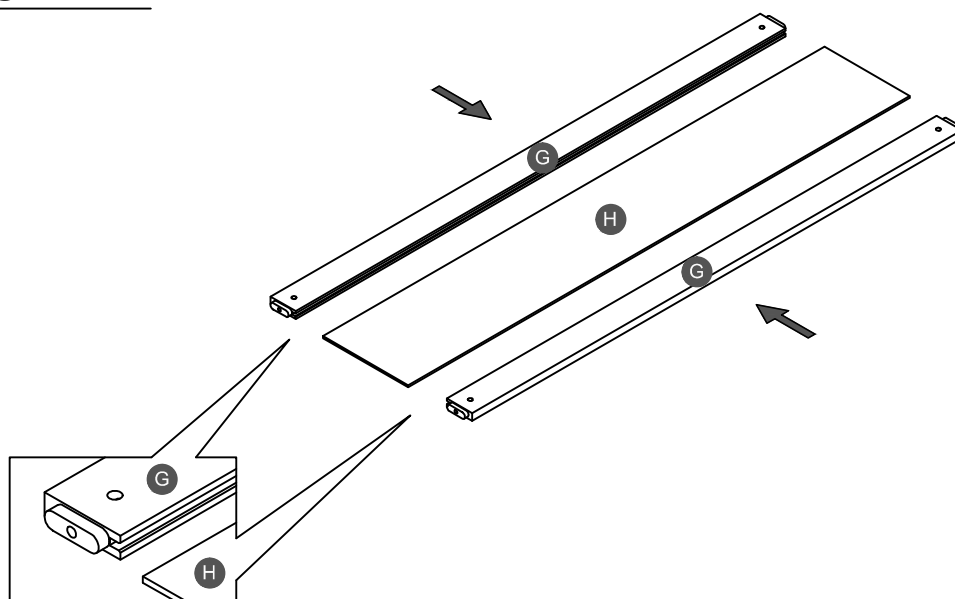
DO NOT USE POWER TOOLS TO ASSEMBLE THIS PRODUCT !

Remark: We recommend you assemble your bed in the flat ground.

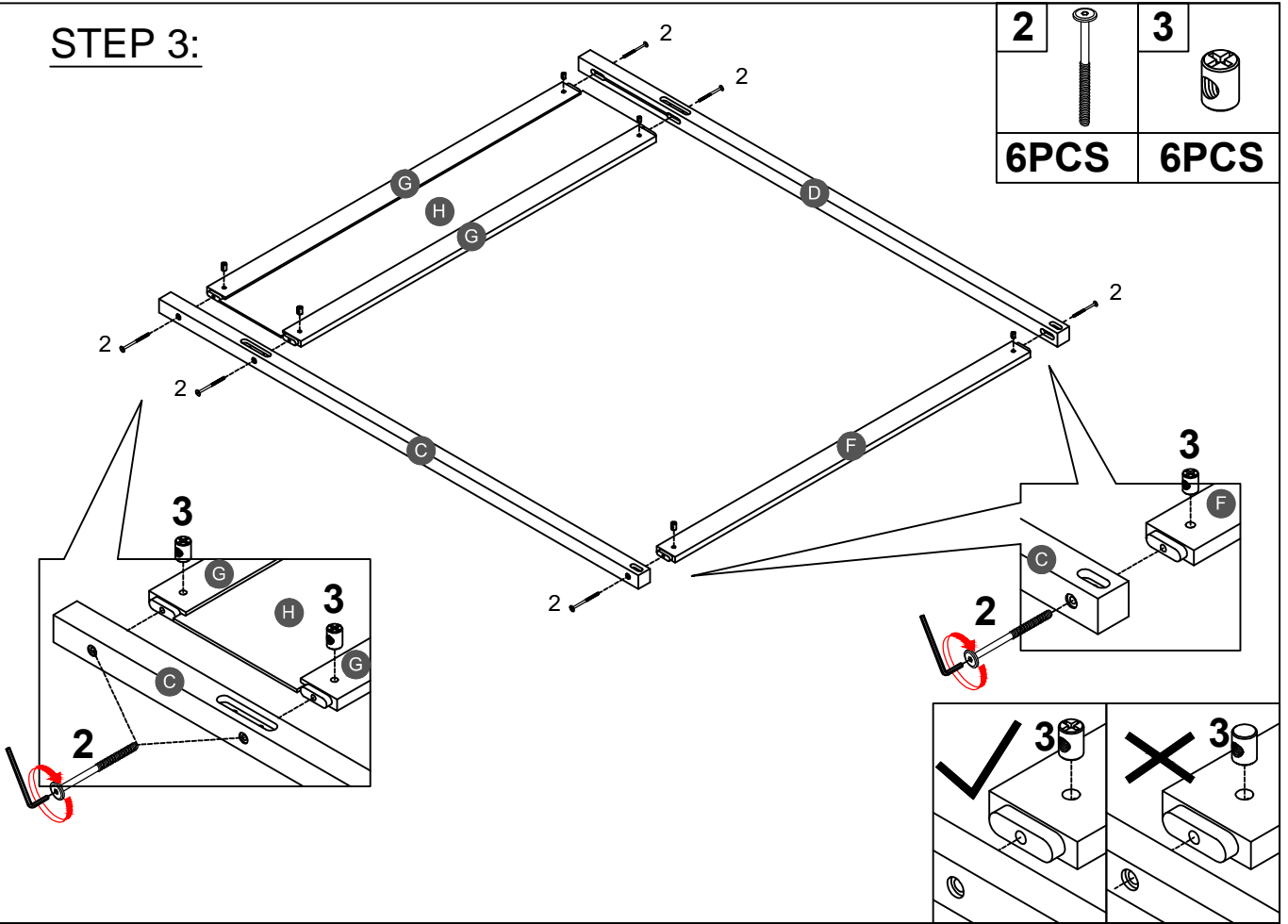
STEP 1:



STEP 2:

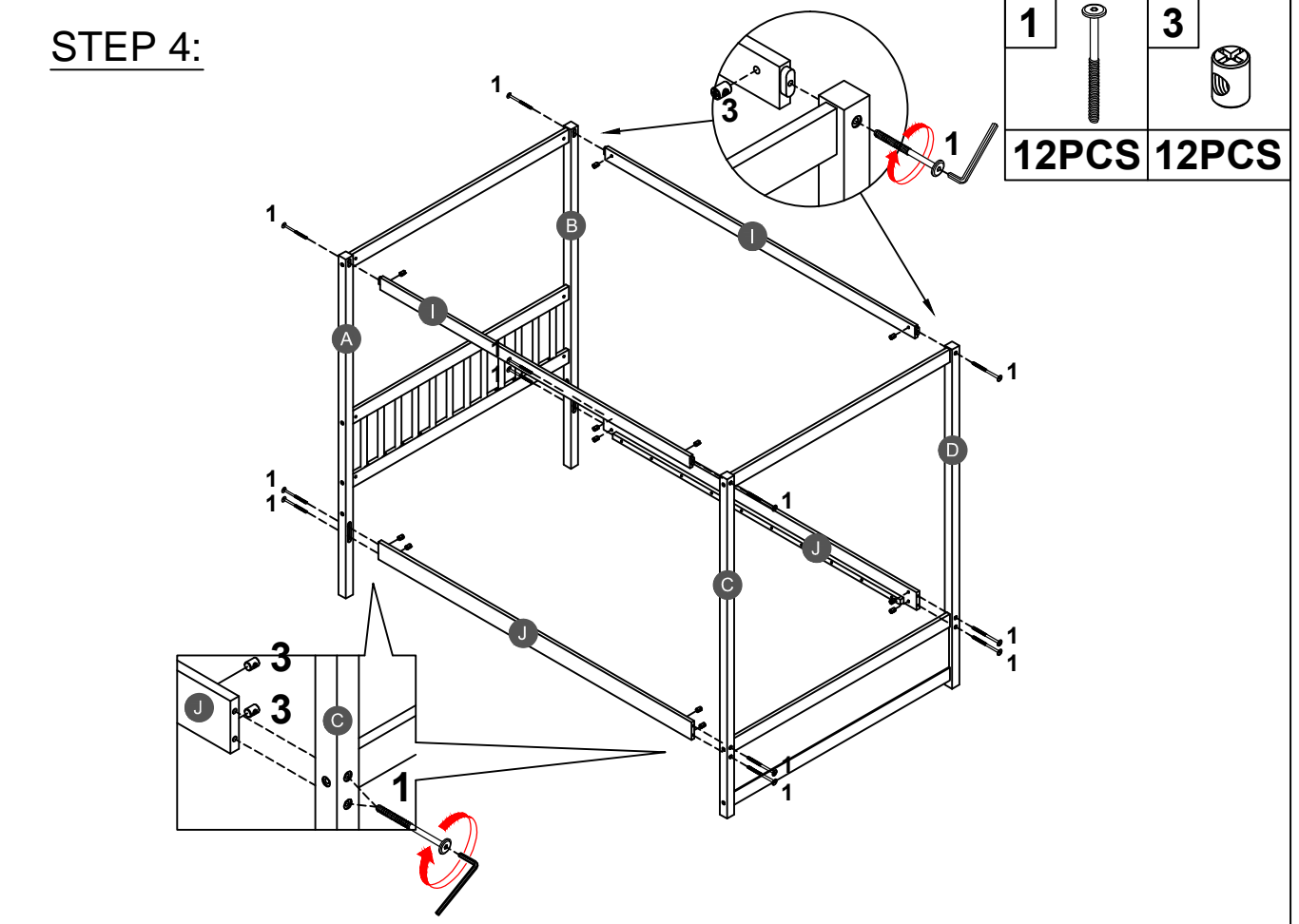


STEP 3:



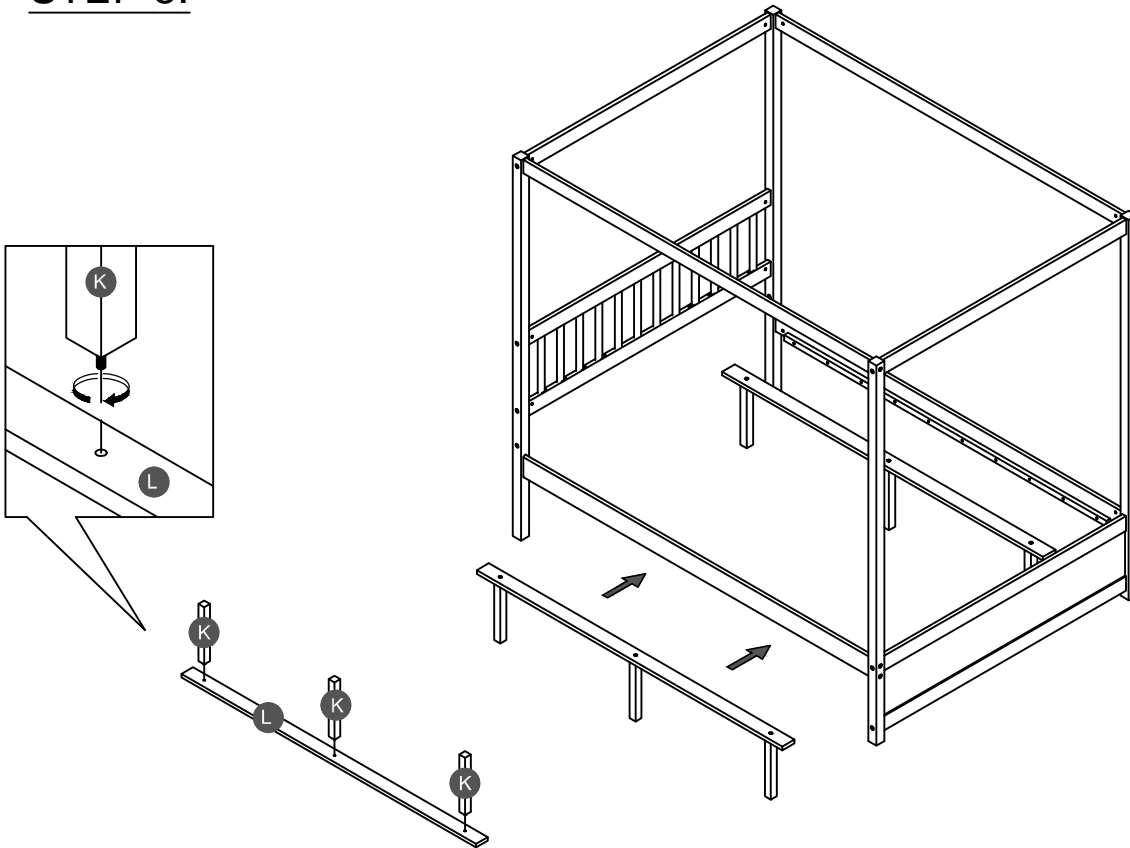
2		3	
6PCS		6PCS	

STEP 4:



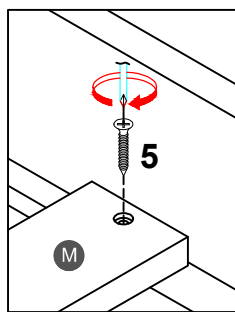
1		3	
12PCS		12PCS	

STEP 5:



Assembling leg support (K) with lower support slat (L) later rotate, Move support slat inside Full bunkbed.

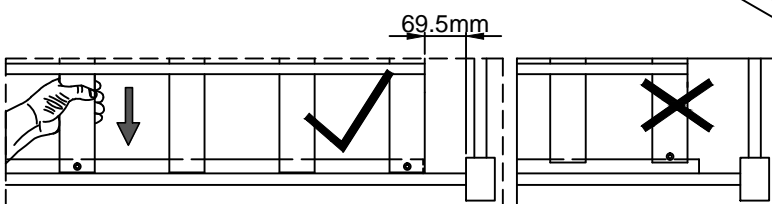
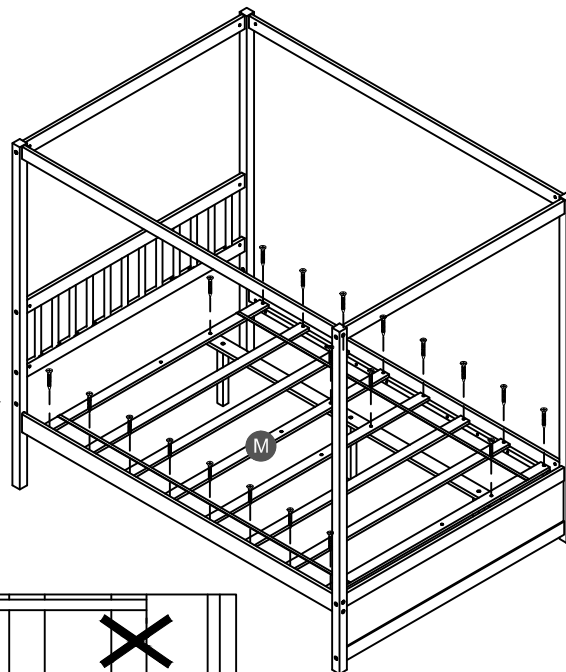
STEP 6:



5

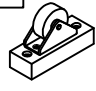



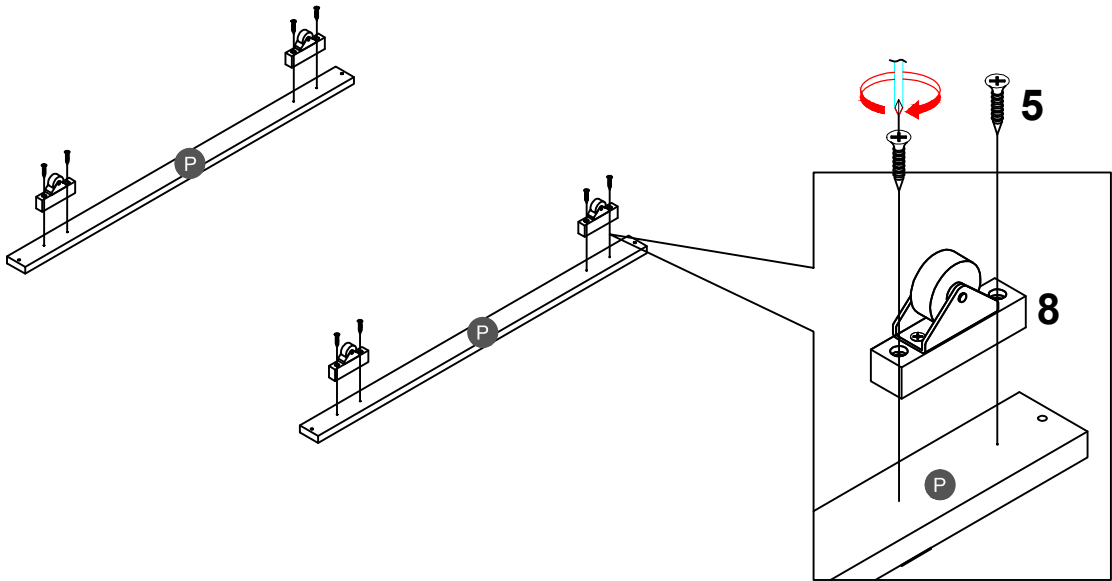
20PCS




Note: Do not lock the screws of the bed slats to the outermost edge of the bed slats, you need to leave a certain space at the edges, otherwise it will cause the board to break

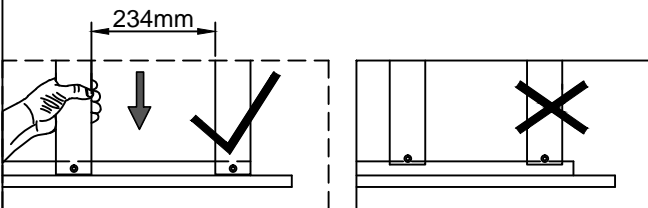
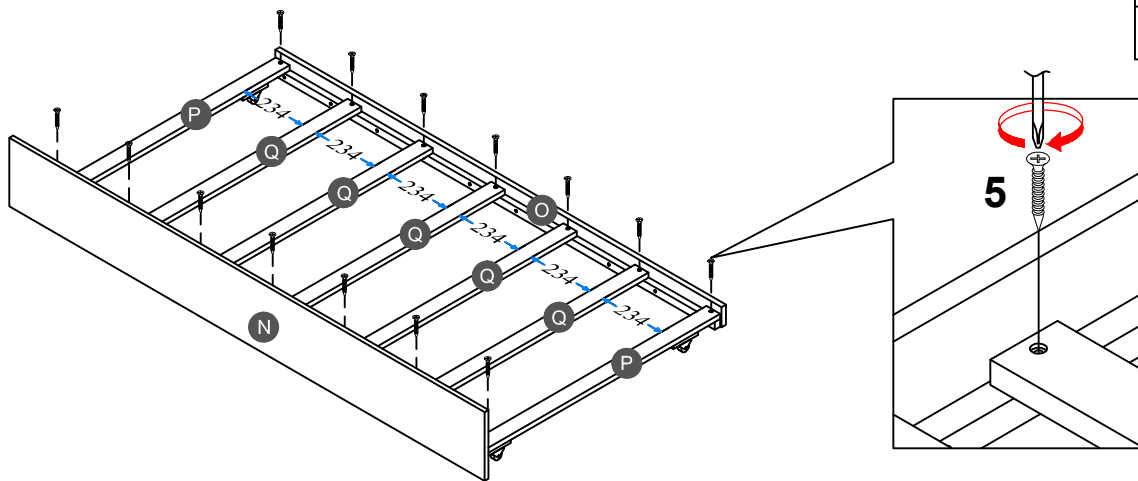
STEP 7:

8	5
	
4PCS	8PCS





STEP 8:

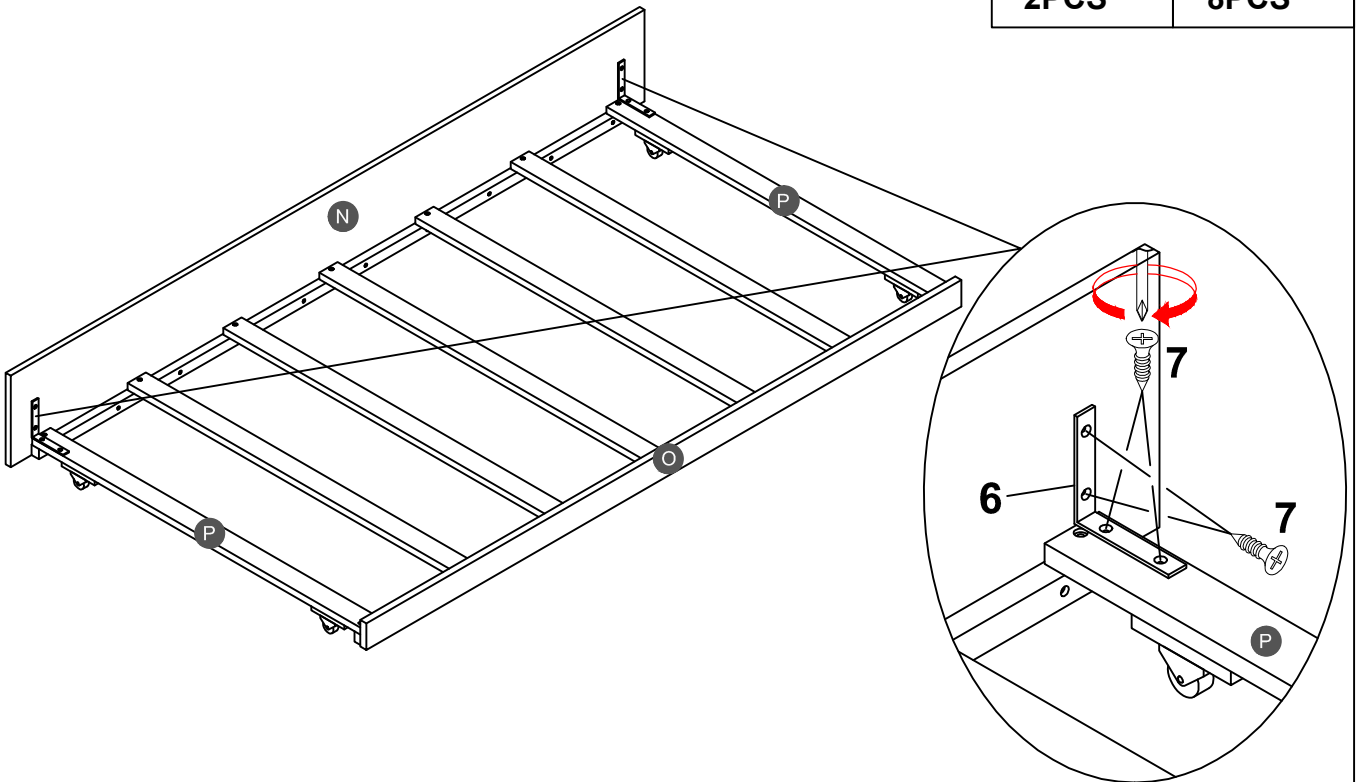
5

14PCS




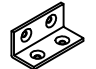
Note: Do not lock the screws of the bed slats to the outermost edge of the bed slats, you need to leave a certain space at the edges, otherwise it will cause the board to break.
Do not lock the bed slats on the edge of the wood, please hold firmly before screwing, hold it in place with one hand, then lock the screw.

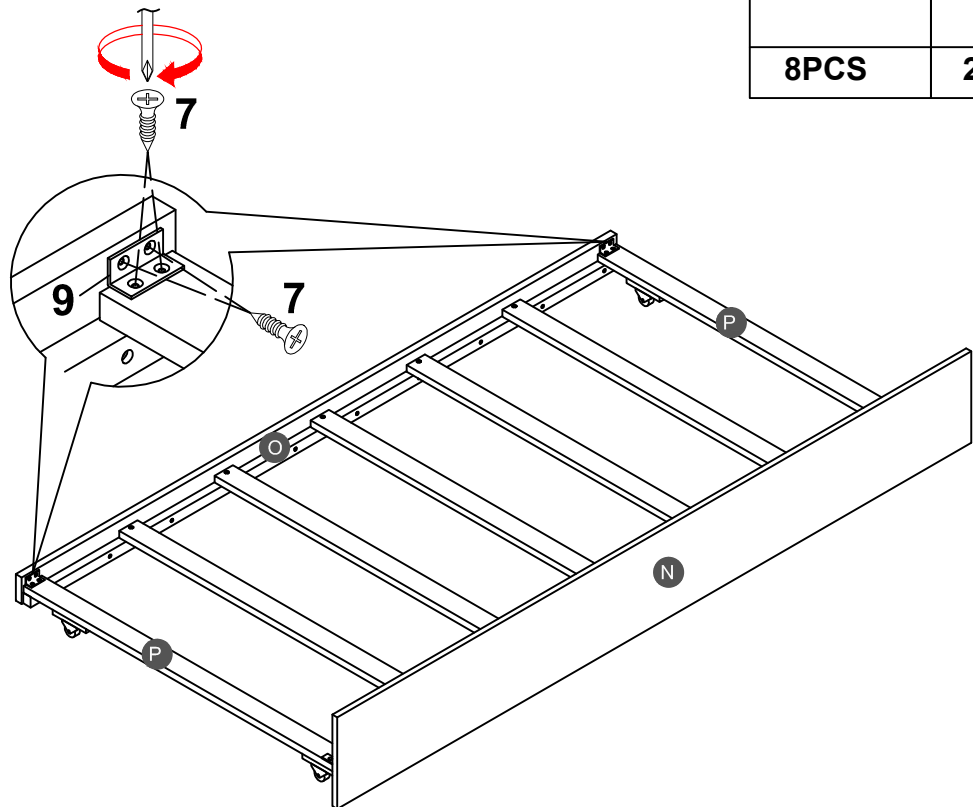
STEP 9:

6	7
	
2PCS	8PCS

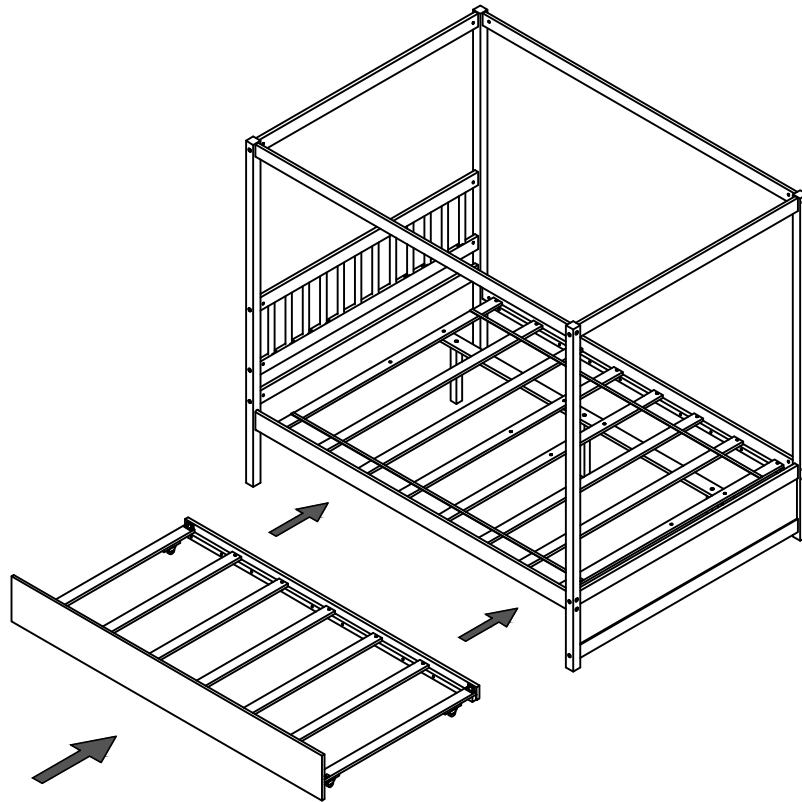


STEP 10:

7	9
	
8PCS	2PCS



STEP 11:



Push Trundle under the bottom of Bunkbed.

