

Drop In Kitchen Sink
INSTALLATION
INSTRUCTIONS



Stainless Steel Kitchen Sink

- ☒ Premium grade handmade sink
- ☒ 16 gauge Stainless Steel 304
- ☒ Vertical angle corner/R10 radius coved corner
- ☒ Best-in-breed sound and thermal insulation
- ☒ Limited lifetime warranty



In Accordance with Industry Codes & Standards for USA & Canada

All Stainless Kitchen Sinks are Certified & Listed By cUPC.

CAUTION

Due to the weight and sharp edges of the sink, exercise caution when handling, moving or lifting the box or the sink. Use safety gloves and protective gear for eyes and ears. Get assistance when lifting or mounting the sink at any time during the installation procedure. DO NOT attempt to handle or install this product if doing so post a risk of bodily injury or you are medically unfit to carry out the installation.

IMPORTANT: we strongly recommends that this product be installed by a licensed plumber. Ensure that installation complies with applicable plumbing and building codes.

TOOLS

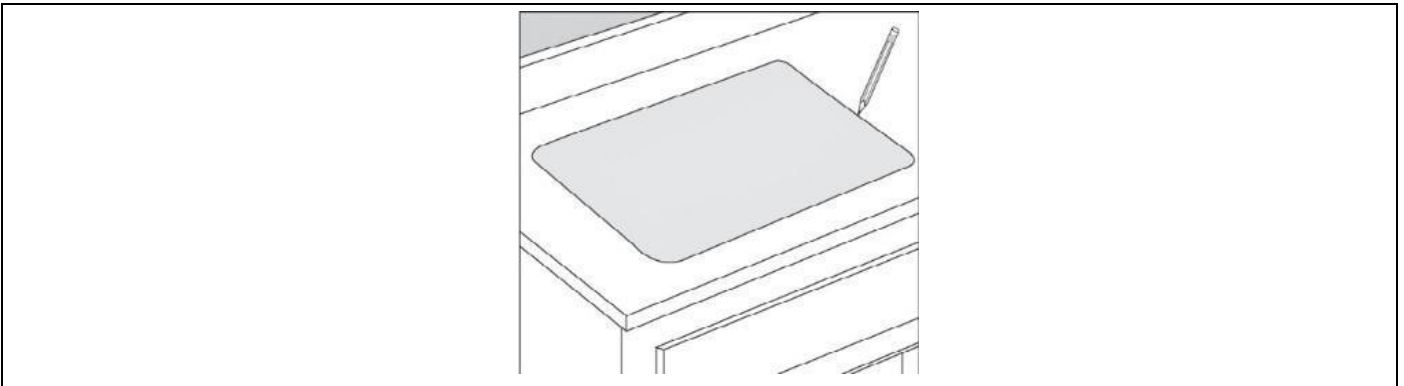
Safety glasses / maker / silicone adhesive sealant / tape measure / Jigsaw / rags / wood braces / level / screws /
bladed screwdriver

Step 1: Position Template

Check the cut-out template against the actual sink to ensure a proper sized cut-out, then
Place the cut-out template in the desired location on the countertop

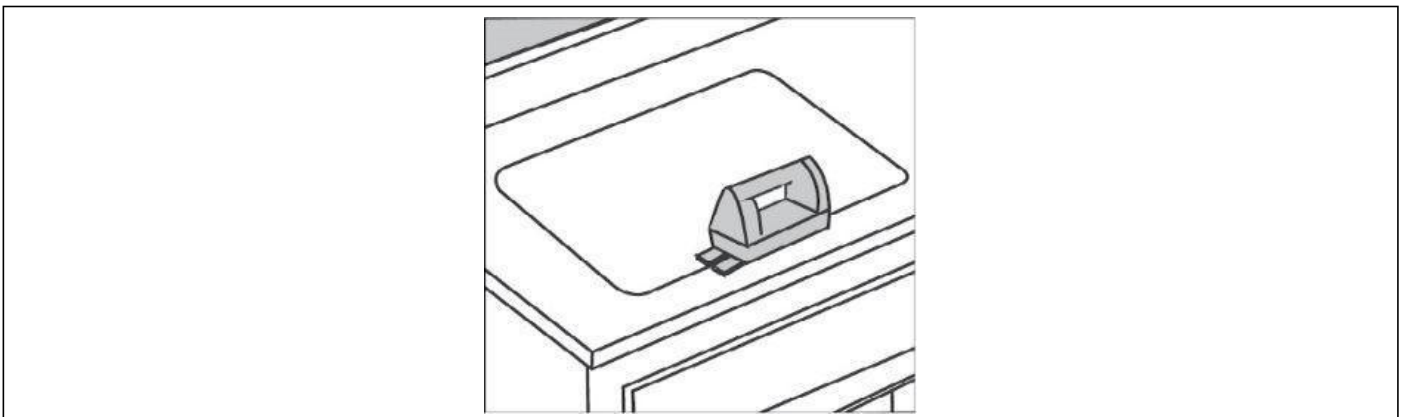
Step 2: Trace Template

Trace template on countertop with a pencil (Figure 1)

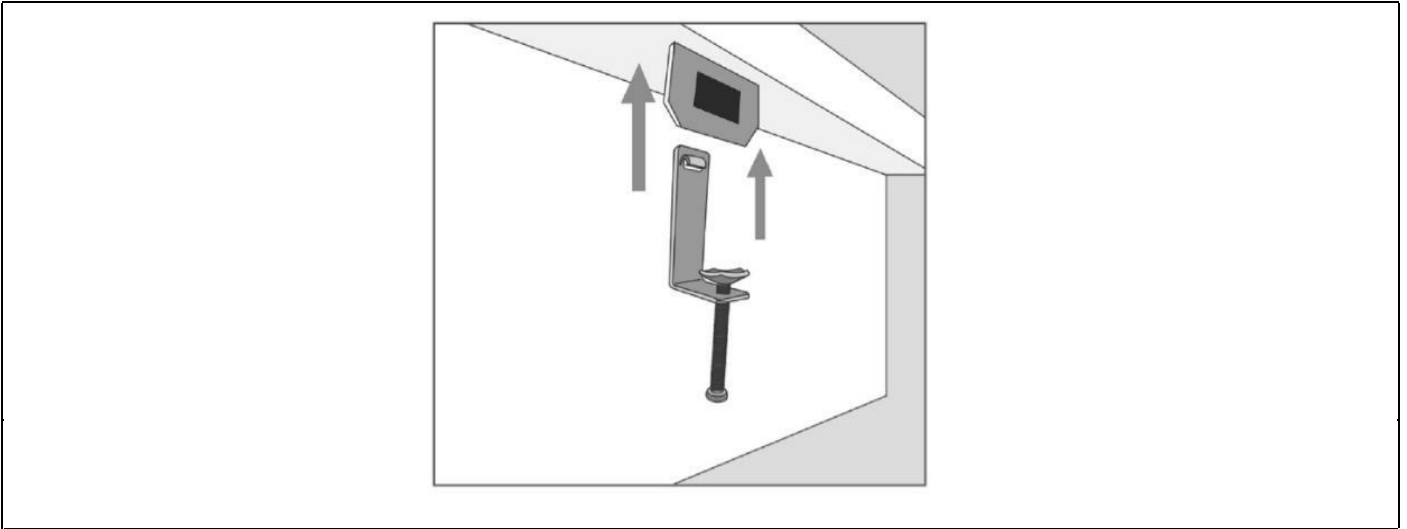


Step 3: Cut Countertop

Cut the opening in the countertop by carefully following the traced line (Note: Please
use the appropriate saw that fits your countertop material)



Step 4 : Attach the mounting hardware to the prongs protruding from the underside of the sink rim. Make sure the hooked side of the mounting clip is facing away from the sink.

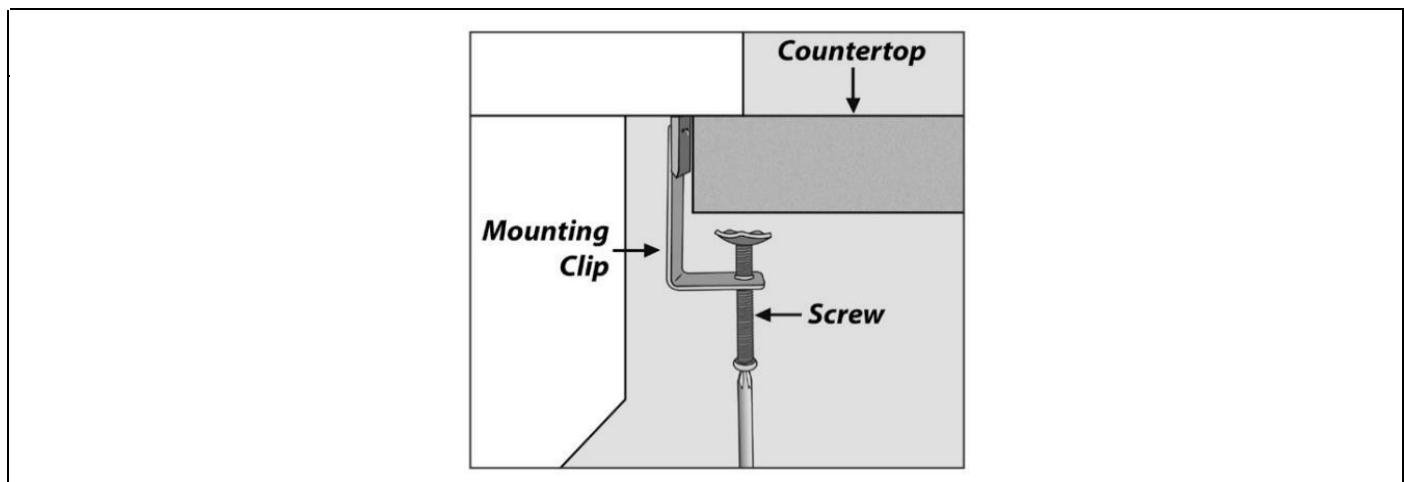
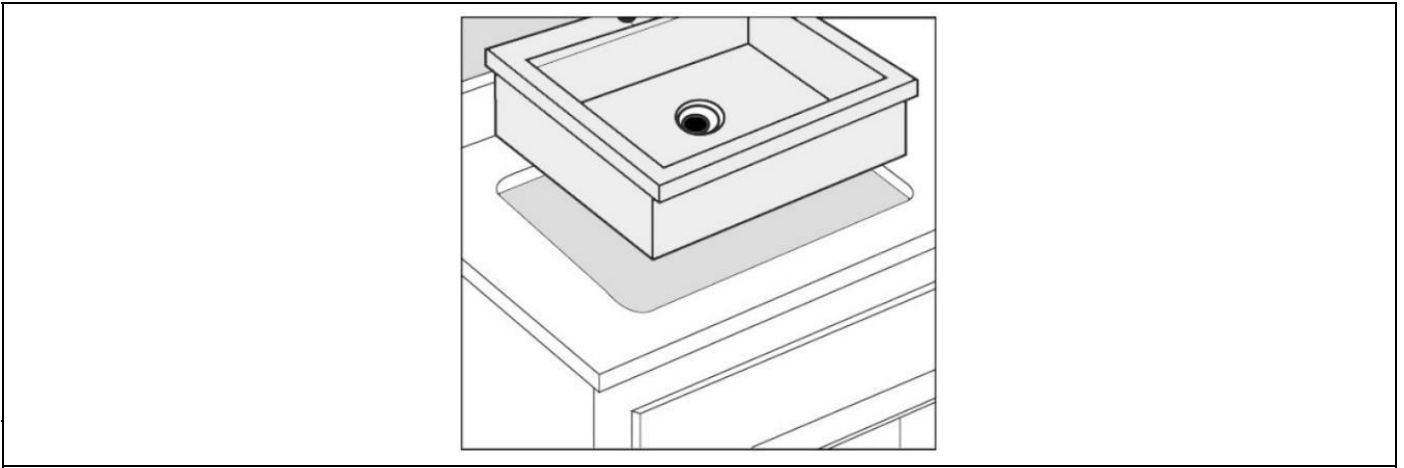


Step 5 : **Apply Silicone or Plumber's Butty**

Clean and dry the surface around the opening of the sink; Turn the unit upside down to apply sealant (not included) underneath of the sink rim.

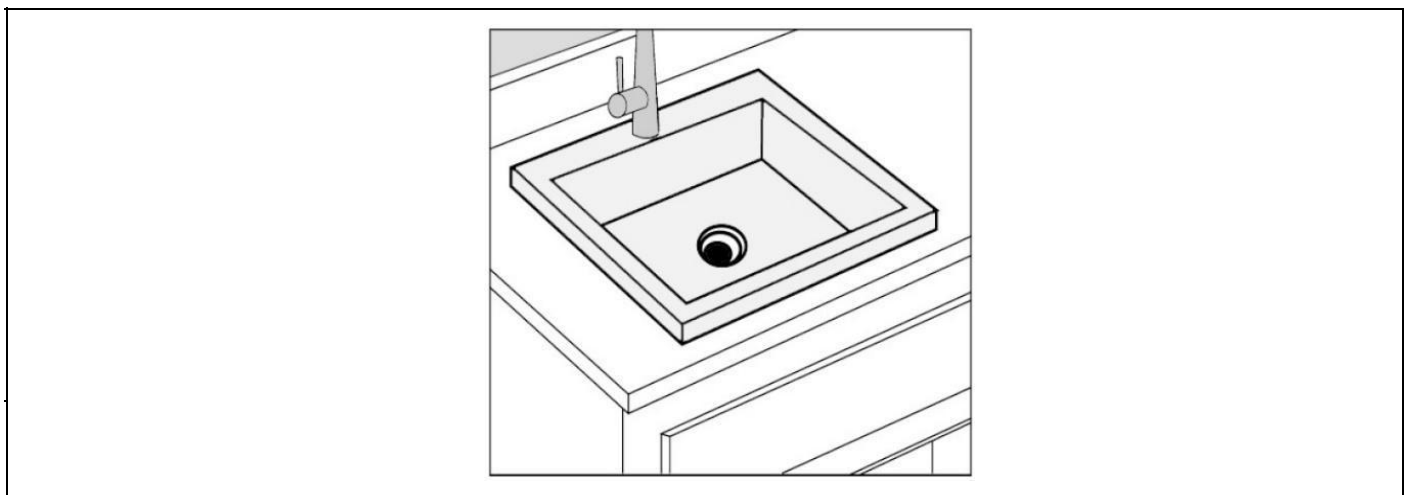
Step 6 : **Secure Sink to Countertop**

- Insert the sink into the opening, check the alignment of the sink to the cutout in the countertop, and press firmly (Figure 4)
- Tighten the screws in the front of the sink, followed by the ones in the back and on the sides of the sink (Figure 5)
- Remove excess silicone-based sealant
- Allow sealant to set for 30-60 minutes



Step 7 : Install Plumbing Fixtures

- Connect drain to sink. Connect trap to drain. Connect water supply connections to faucet according to manufacturer's instructions
- Run water into sink and check for leaks



MAINTENANCE INSTRUCTIONS

FAQs

1. Why is there rust in my new kitchen sink?

Reasons:

- 1.1 The rust may be caused by the welding cement, or oil residue on the sink which when not cleaned on time can lead the sink to rust.
- 1.2 Chemical cleaning agent, paint, sauces or cooking oil left in the kitchen sink after a certain period of time these will create molds and the molds would stick on the surface.

Prevention and Treatments:

- 1.1 Install the sink after everything else is done, and clean your sink right after installation.
- 1.2 Clean your sink after every use.
- 1.3 Properly remove the rust and molds using a scouring pad

2. What will scratch or harm the sink?

Reasons:

Improper packaging can lead to scratch marks. The accessories may scratch the sinks during transit.

We will try our best to pack the sinks well which would avoid the scratches. But the sink is easily scratched by sharp objects.

Prevention and Treatments:

- 1.1 Minor scratch: You can use a sponge with toothpaste to polish it again and again.
- 1.2 Moderate scratch: Using a scouring pad to polish small areas.
- 1.3 Serious scratch: Purchase stainless steel polisher.

3. What cause the hard water stains?

Reasons:

This is normal if you use the sink after a certain period of time.

Prevention and Treatments:

- 1.1. Scouring powder can easily solve the problem.
- 1.2. Clean Daily. Use a soft towel to wipe the sink with warm water. Mixing in some washer-fluid is advisable
Remember wipe it dry at last.

DO

1. Clean Daily. Use a soft towel to wipe the sink with warm water. Mixing in some wash-er-fluid is advisable. Remember to wipe it dry.
2. Remember to rinse the sink after using any cleaning agent and wipe dry. If any mineral deposits built up on the sink, clean up it as soon as possible.
3. Properly remove the rust, molds or scratches with a scouring pad. Rubbing the sink in the direction of the grain.
4. Rub it lightly with a soft towel in the direction of grain lines.
5. Keep the sink dry after you use it. Because any standing water can cause a build up of mineral deposit, which will become hard water stains.

DO NOT

1. Leave water spots, utensils or steel cool-ware in the sink for a long time, which would become rust spots in your sink surface.
2. Leave cleaning agents or bleach sitting in your sink for a long period of time which may cause the sink to discolor or damage the surface.
3. Use a steel wool or scouring pad rubbing against the direction of the grain.
4. Leave rubber mats, cleaning pads or sponges in the sink for a long time as this may ruin the finish of your sink.
5. Use the inside of the sink as cutting surface.

How to use scouring pad correctly?

1. Get a dry and clean non- scratch scrub pad.
2. Scrub the rust off according to the direction of the grain.

STAINLESS STEEL KITCHEN SINKS

General Recommendations:

- Check all the matching products inside when opening the package.
- Inspect your sink for any noticeable damage before installation.
- Read the installation and maintenance instruction thoroughly before installation.
- Consult your cabinet dealer before custom order cabinet for the sink.
- Use experienced and professional installers.
- Please be aware of that we are not responsible for any damage to countertop, sink fixture, faucet and personal injury during installation.