



### WARNING:

CHOKING HAZARD- Assembly hardware contains small parts.  
Adult assembly required.

**WARNING:** This product contains a chemical known to the State of California to cause cancer. California Proposition 65. Learn more at: [www.jonti-craft.com/Prop65](http://www.jonti-craft.com/Prop65)

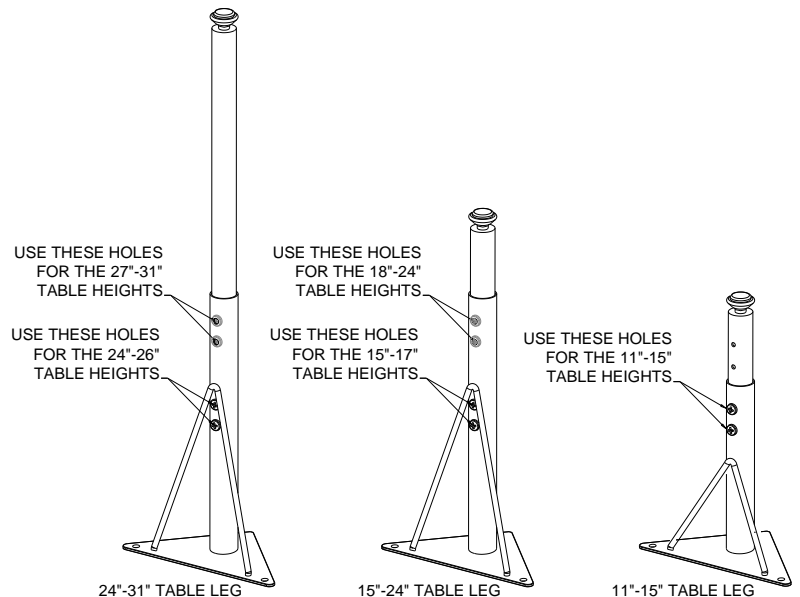
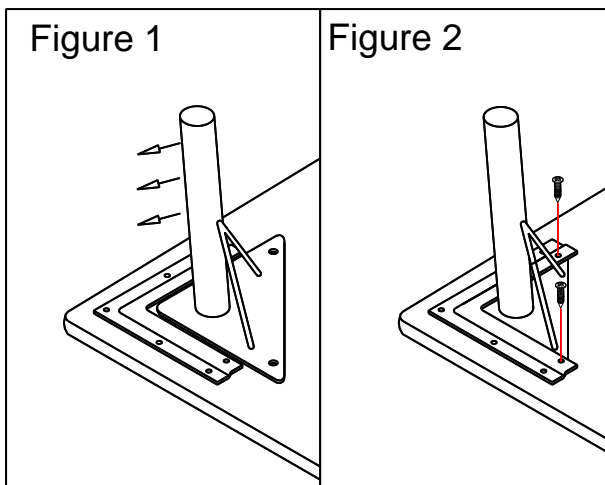
## Instructions for: Adjustable Table Leg Assembly

Hardware Package **HASX**

Qty	Description
(8)	<b>XGAE</b> Panhead Screw, #10 X 1"

### Assembly Instructions:

1. Attach the legs to the table by sliding the leg under the table leg bracket (Figure 1) and installing two of the screws provided through the bracket and leg and into the table (Figure 2). **You may need to loosen the table leg brackets to slide the leg under it.**
2. Repeat step 1 for all four legs.
3. To adjust the height of the table, remove the two adjustment screws on the leg. Determine the desired height of the table and reinstall the two adjustment screws at that height. **Note: The upper leg on the 15-24" tables and 24-31" tables has two pairs of holes. See the drawing below to determine which holes to use.**
4. Turn the table over onto the legs and the table is ready to use.
5. If you experience any difficulties when assembling this product, please contact the Jonti-Craft Customer Relations Team at (800) 543-4149 or [sales@jonti-craft.com](mailto:sales@jonti-craft.com). All other requests for assistance must be directed to your Jonti-Craft Dealer.



### TABLE HEIGHT ADJUSTMENT