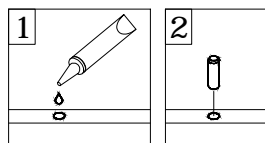


# Assembly Instructions

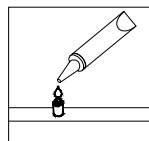


# General Assembly Guidelines

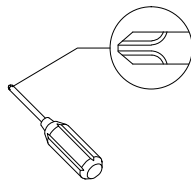
- I. Ensure that all parts and hardware are available before beginning assembly.
- II. Follow each step carefully to ensure the proper assembly of this product.
- III. Two people are recommended for ease in the assembly of this product.
- IV. The three main types of hardware used to assemble this product are : wood dowels , screws and bolts.
- V. The provided glue is to secure wood dowels in place . When first inserting dowels , locate the appropriate hole for the dowel , place a small amount of glue in the hole and insert the dowel . Wipe away excess glue immediately.



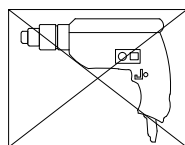
In future assembly steps when dowels are necessary to attach assembly parts together , place a small amount of glue on the end of the dowel before attaching parts together . Wipe away excess glue immediately.



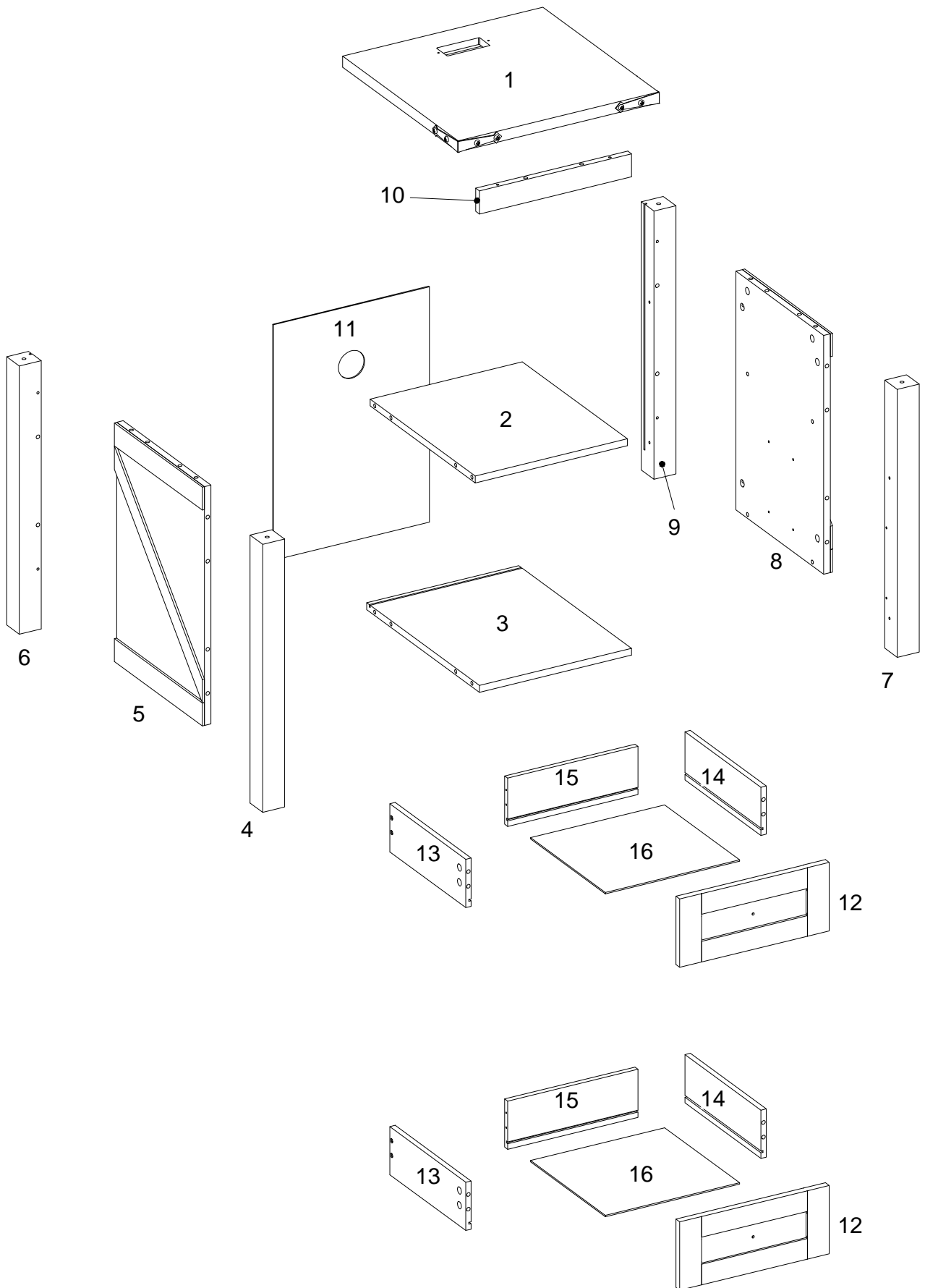
- VI. A Phillips head screwdriver is required for the assembly of this product .




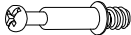



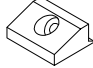


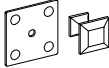

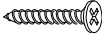
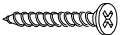



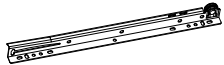
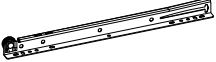
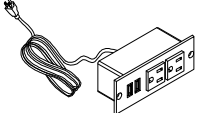
- VII. Power tools should not be used to assemble this product .

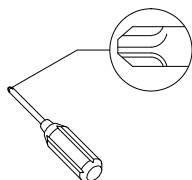


# Parts List



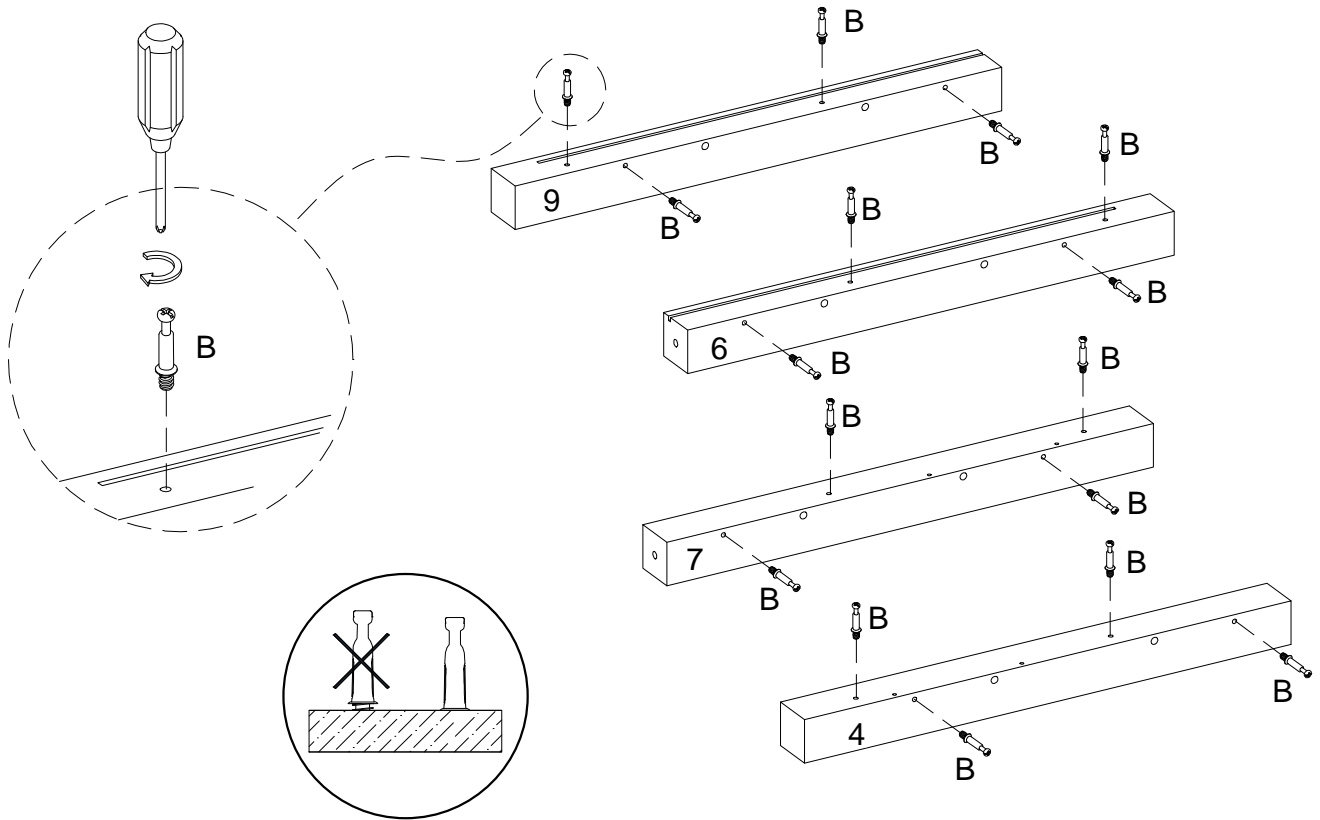
## Hardware List

A		Ø8x30mm	Wooden dowel	26 pcs
B		Ø6x35mm	Cam bolt	28 pcs
C		Ø15x11mm	Cam lock	20 pcs
D		Ø30mm	Sticker	28 pcs
E			Glue tube	1 pc
F			Plastic wedge	4 pcs
G		Ø3x17mm	Flat-head screw	4 pcs
H		Ø4x12mm	Handle bolt	2 pcs
J			Handle	2 pcs
K		Ø15x9.5mm	Cam lock	8 pcs
L		Ø4x38mm	Screw	8 pcs
M		Ø4x44mm	Screw	2 pcs
N		Ø3.5x12mm	Screw	26 pcs
P		12"	Left cabinet member	2 pcs
Q		12"	Right cabinet member	2 pcs
R		12"	Left drawer runner	2 pcs
S		12"	Right drawer runner	2 pcs
T			USB Interface	1 pcs

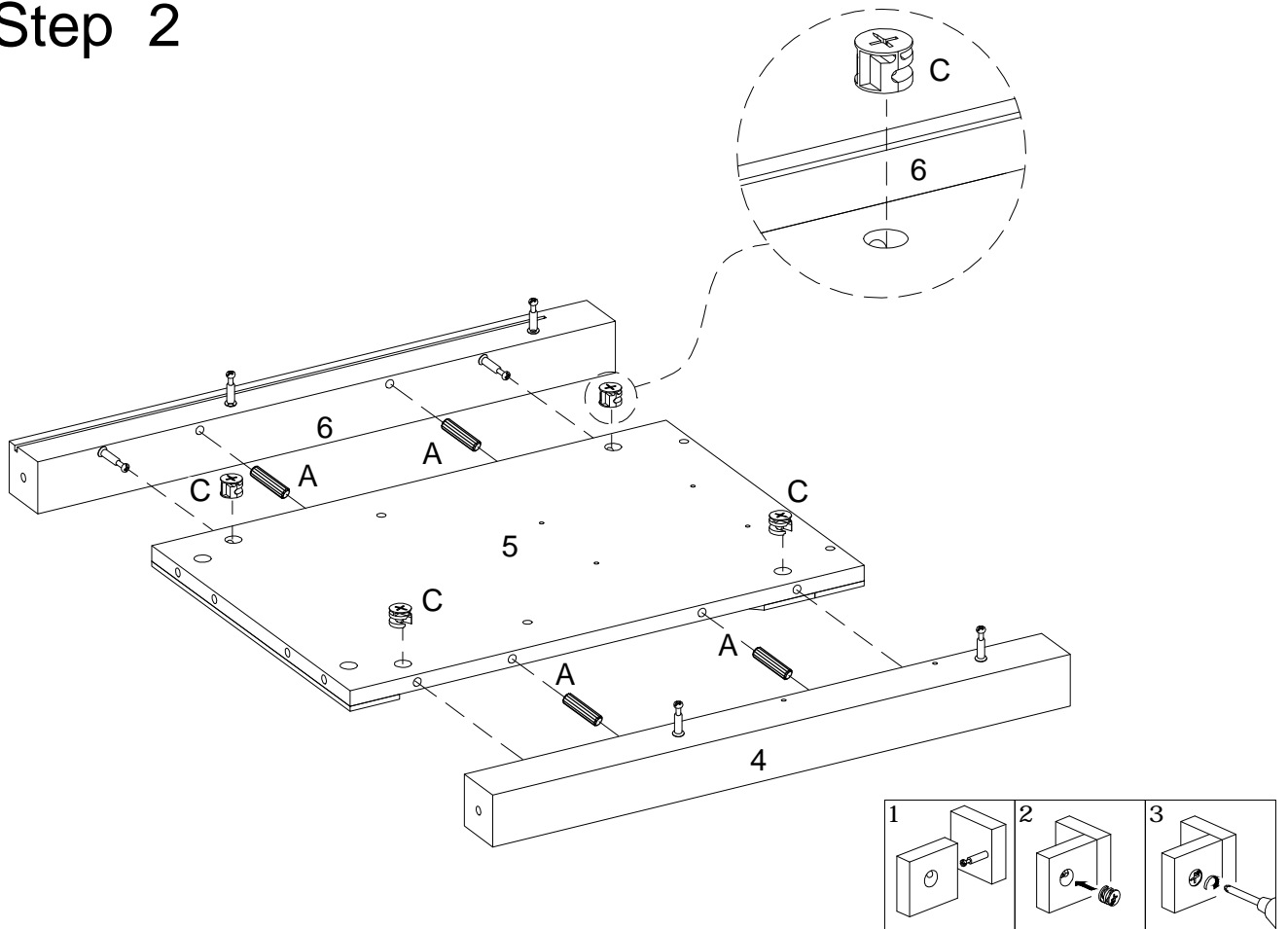


Philips head screwdriver required for assembly  
(not included)

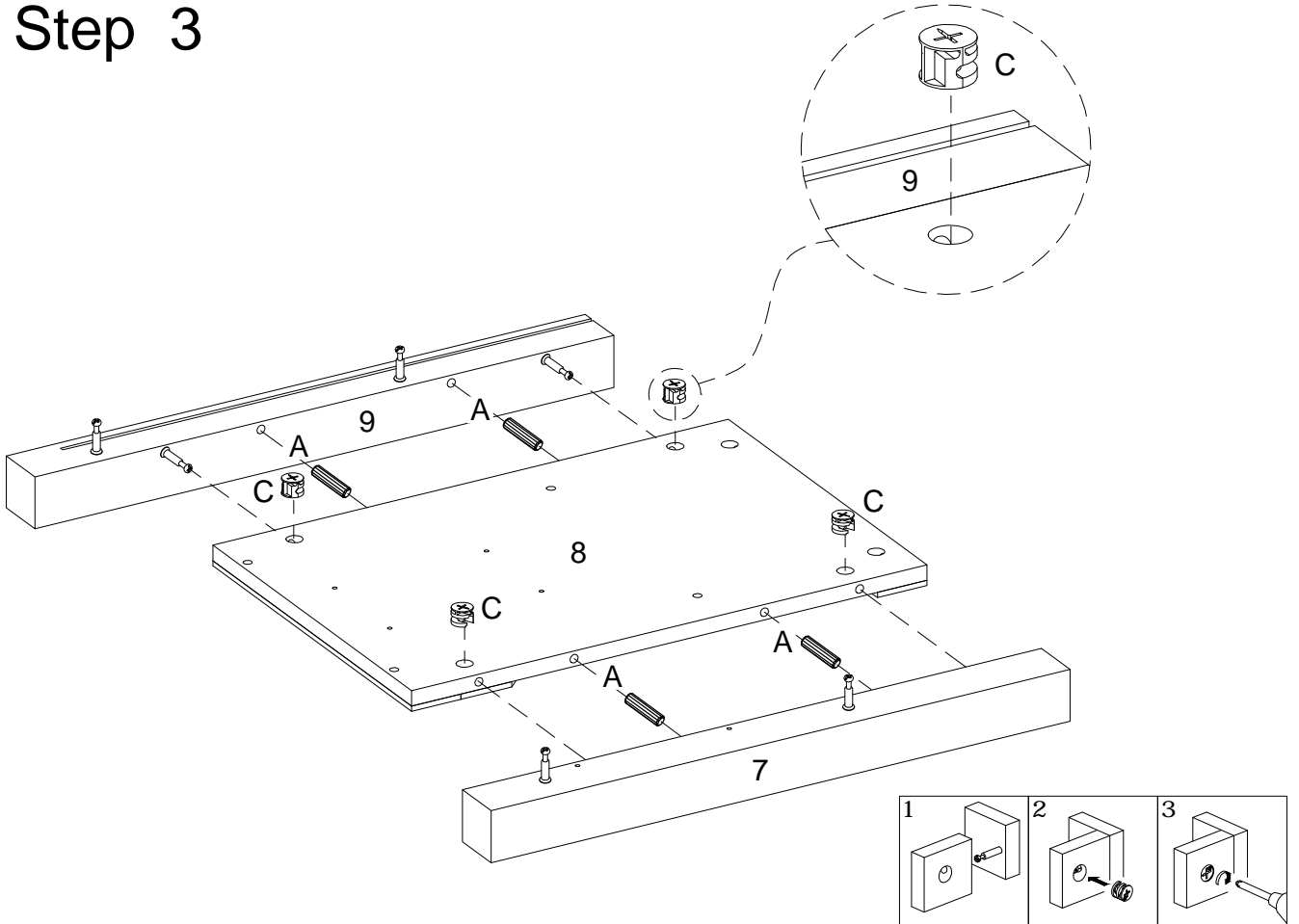
# Step 1



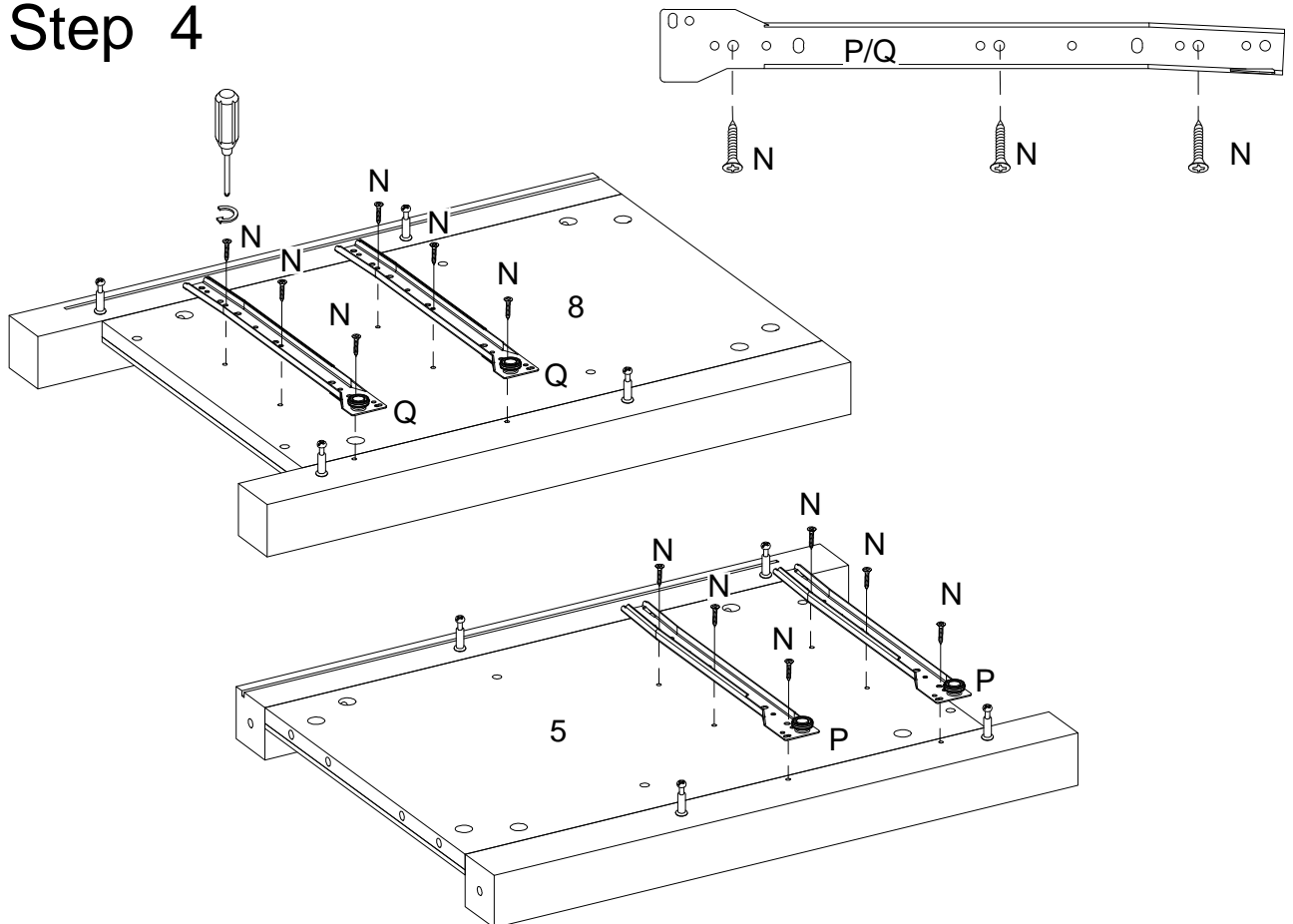
# Step 2



# Step 3

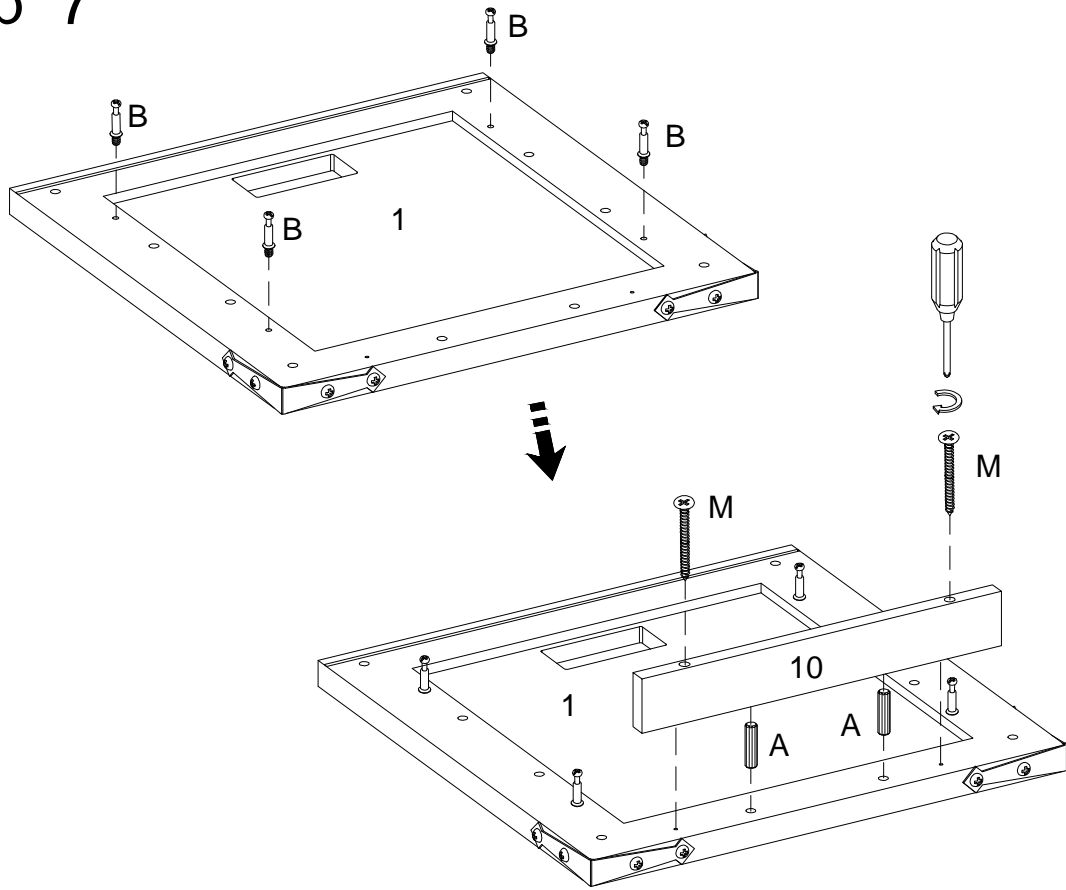


# Step 4

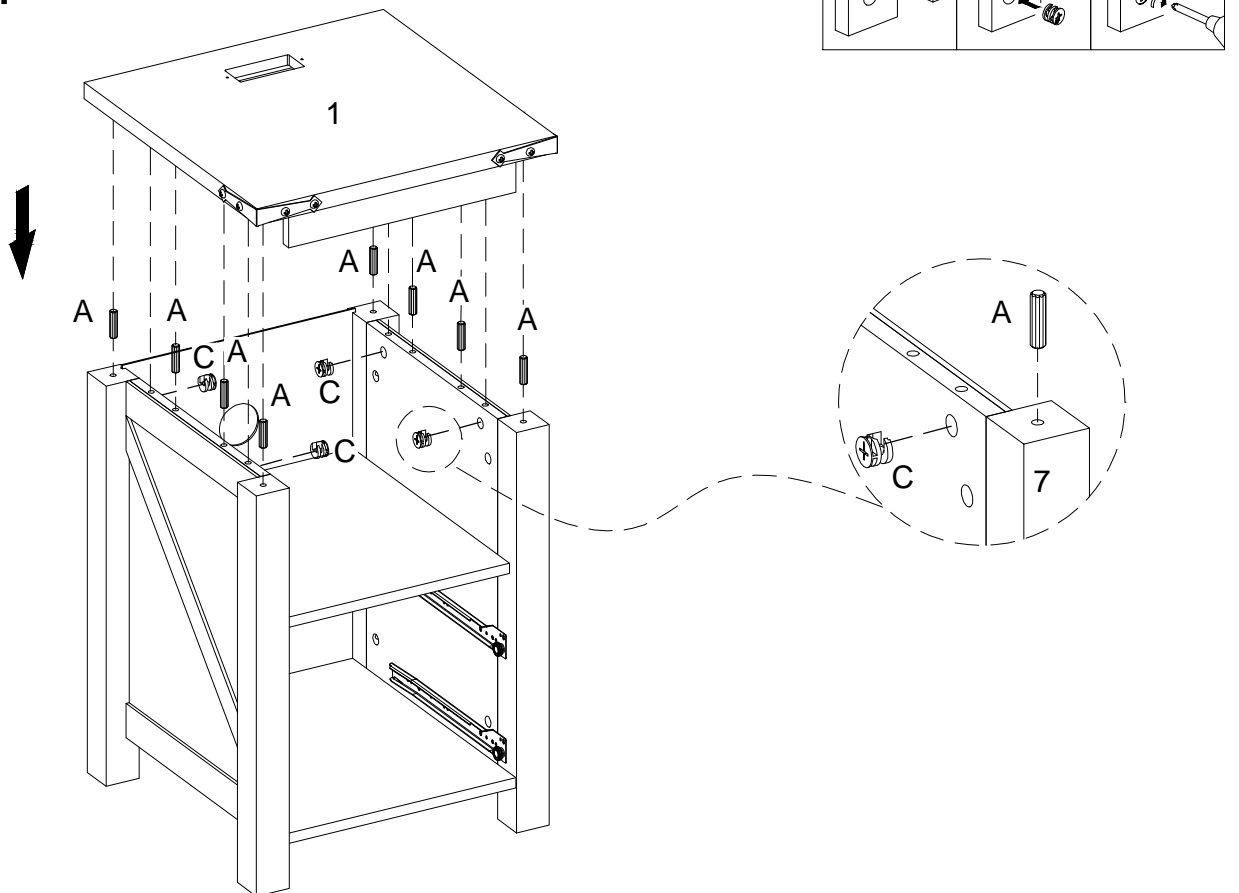




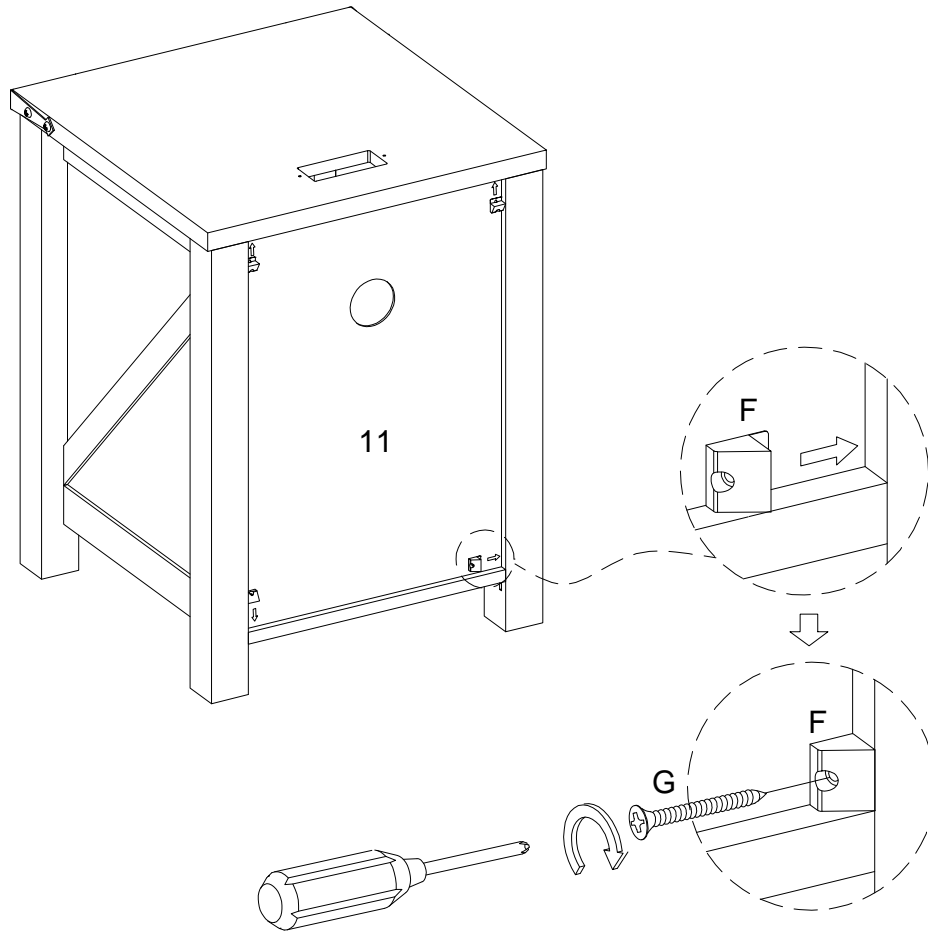
# Step 7



# Step 8

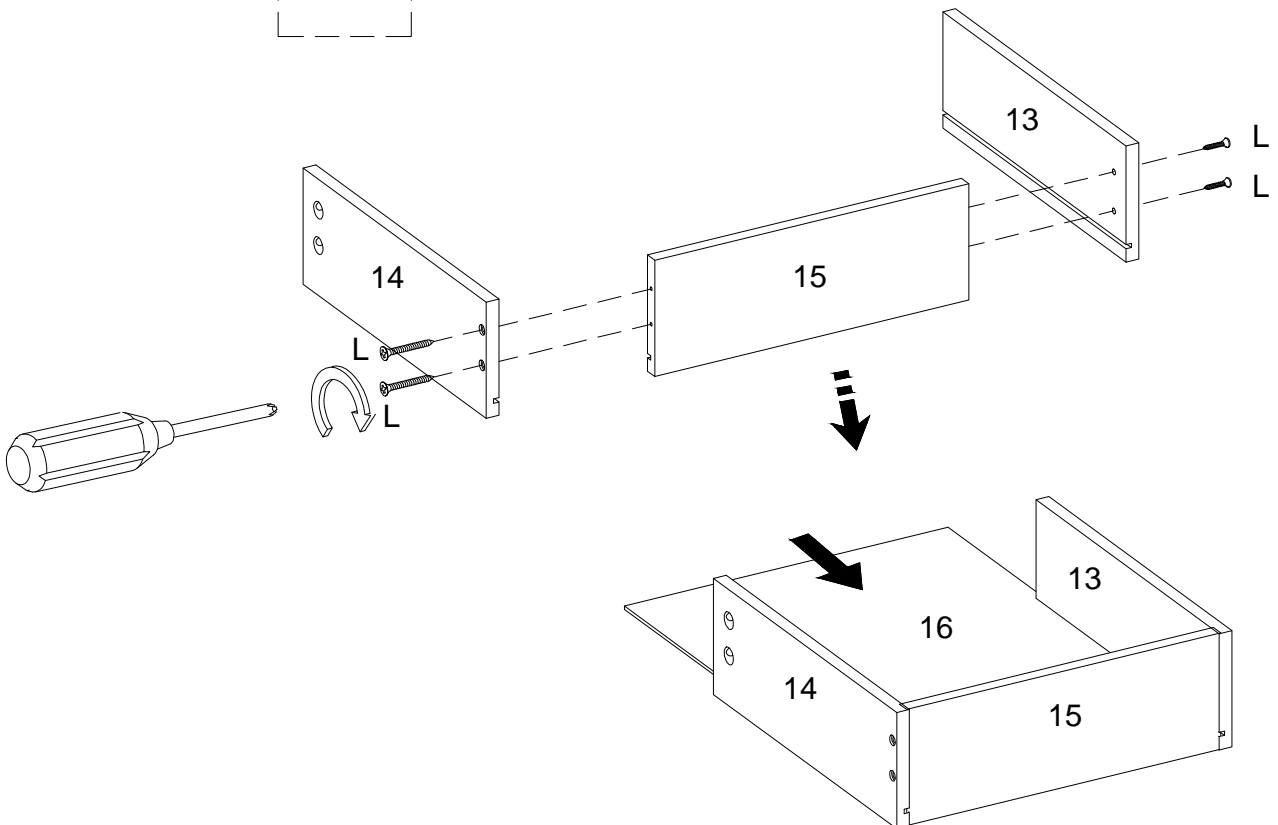


# Step 9



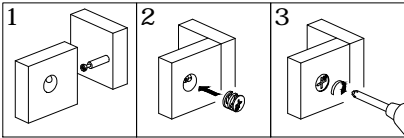
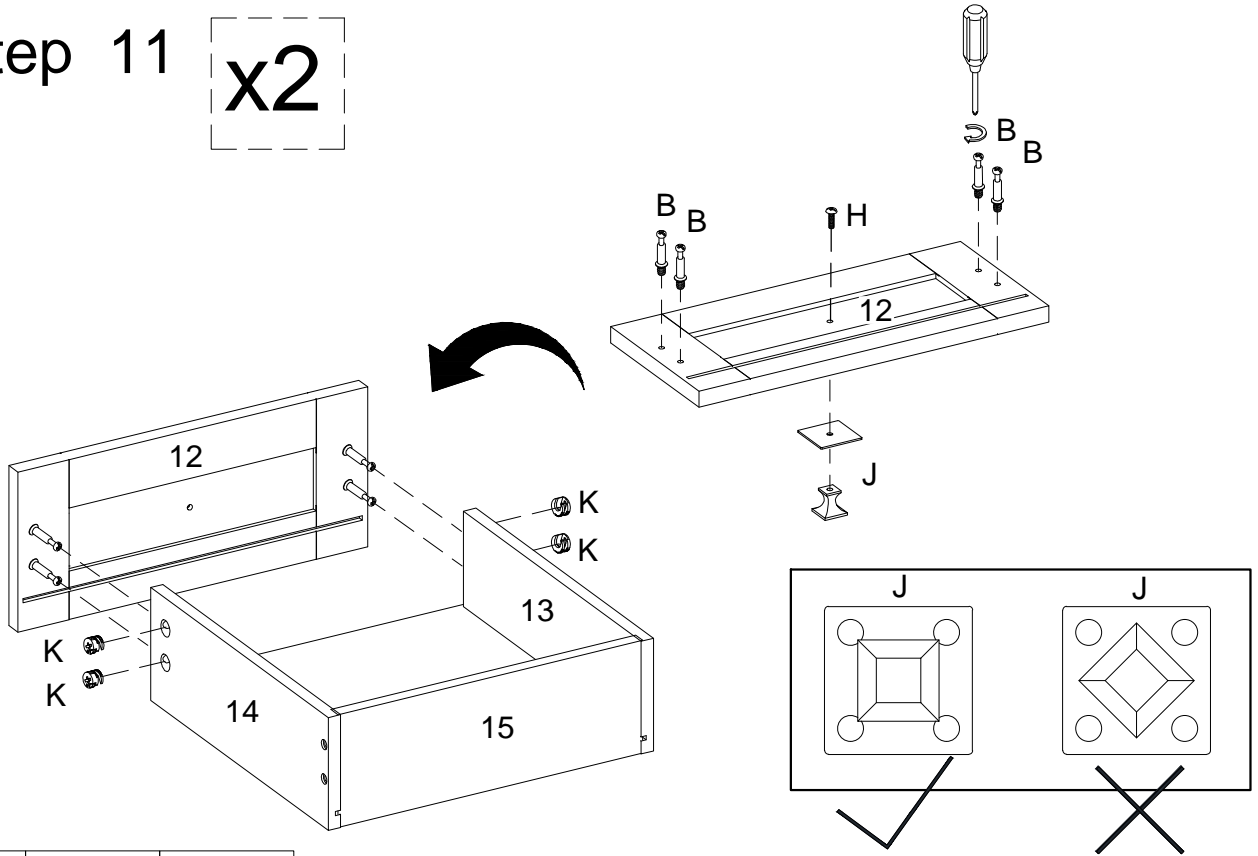
# Step 10

x2



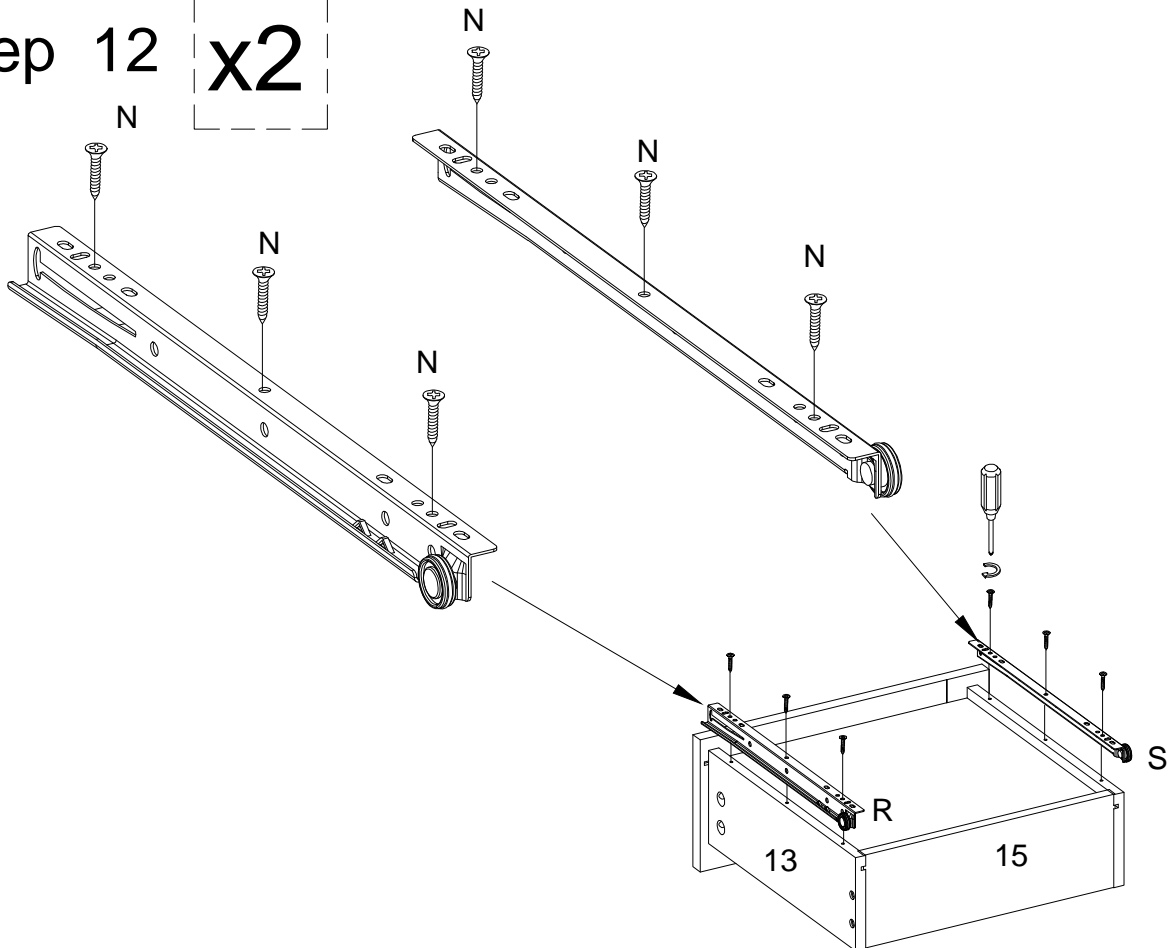
# Step 11

x2

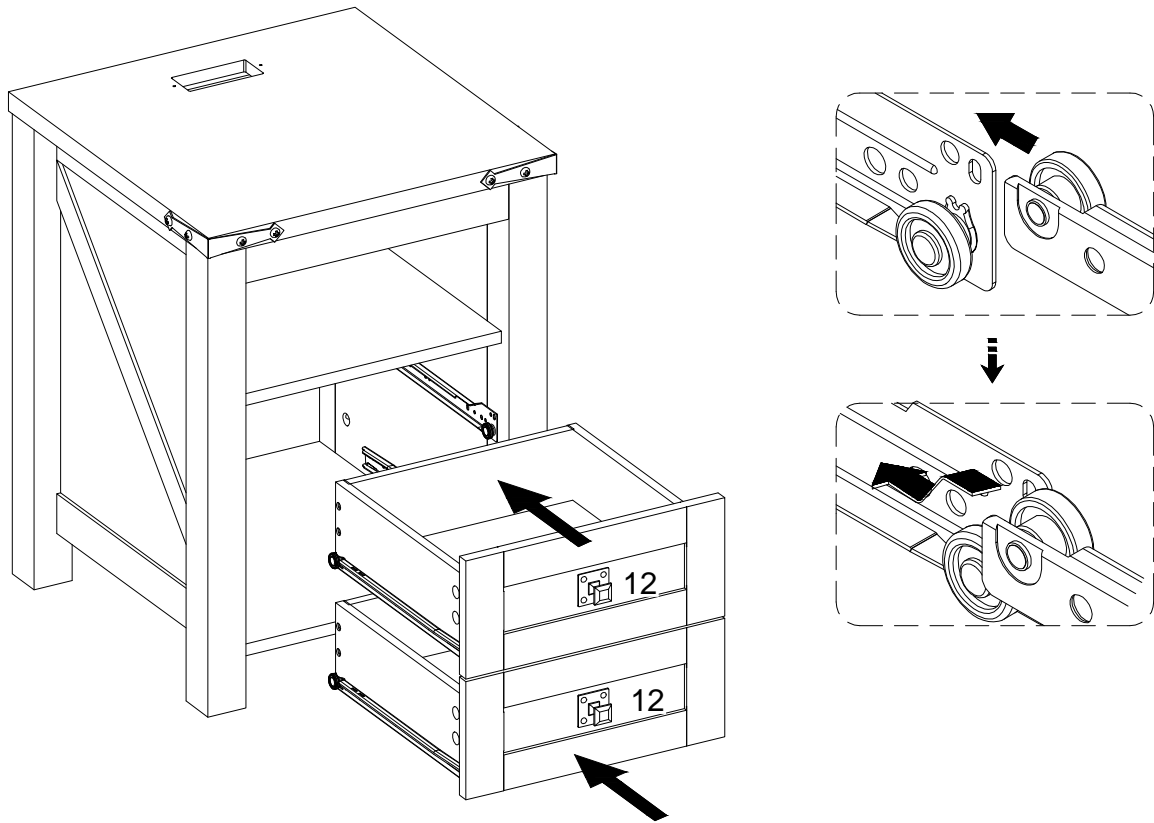


# Step 12

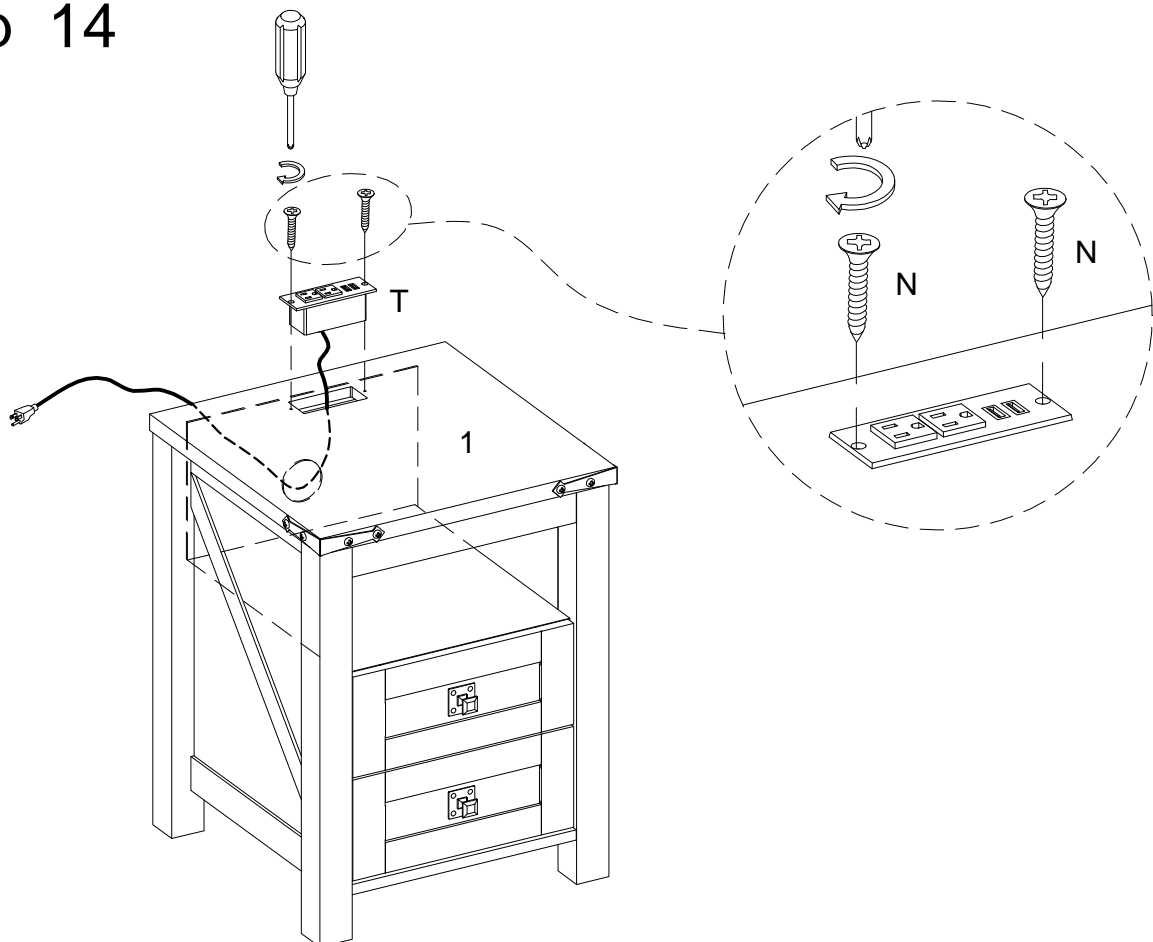
x2



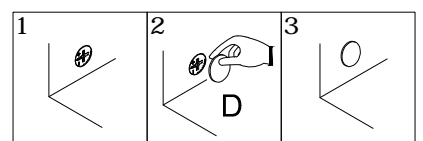
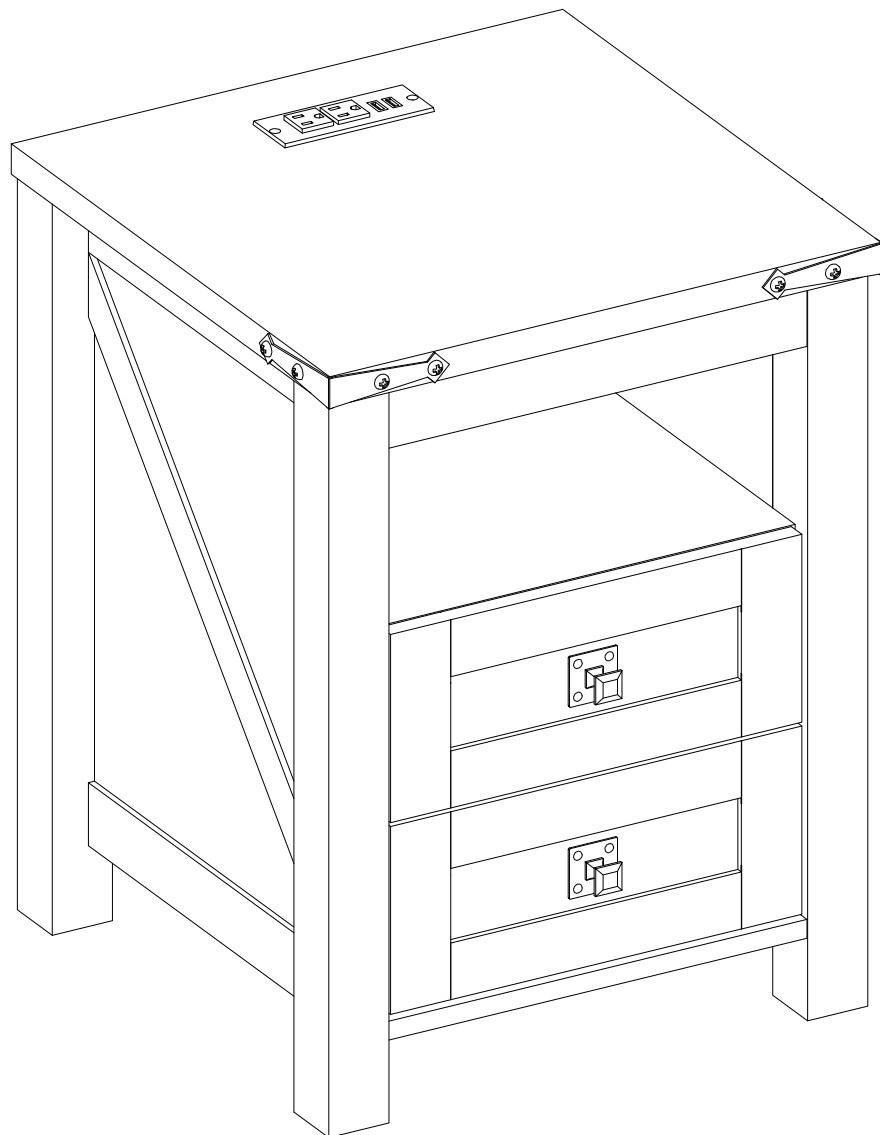
## Step 13



## Step 14



# Step 15



Final Assembly