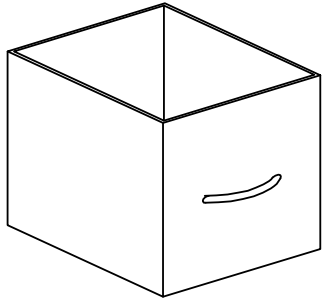


# Drawer Storage Tower

## Instruction Manual

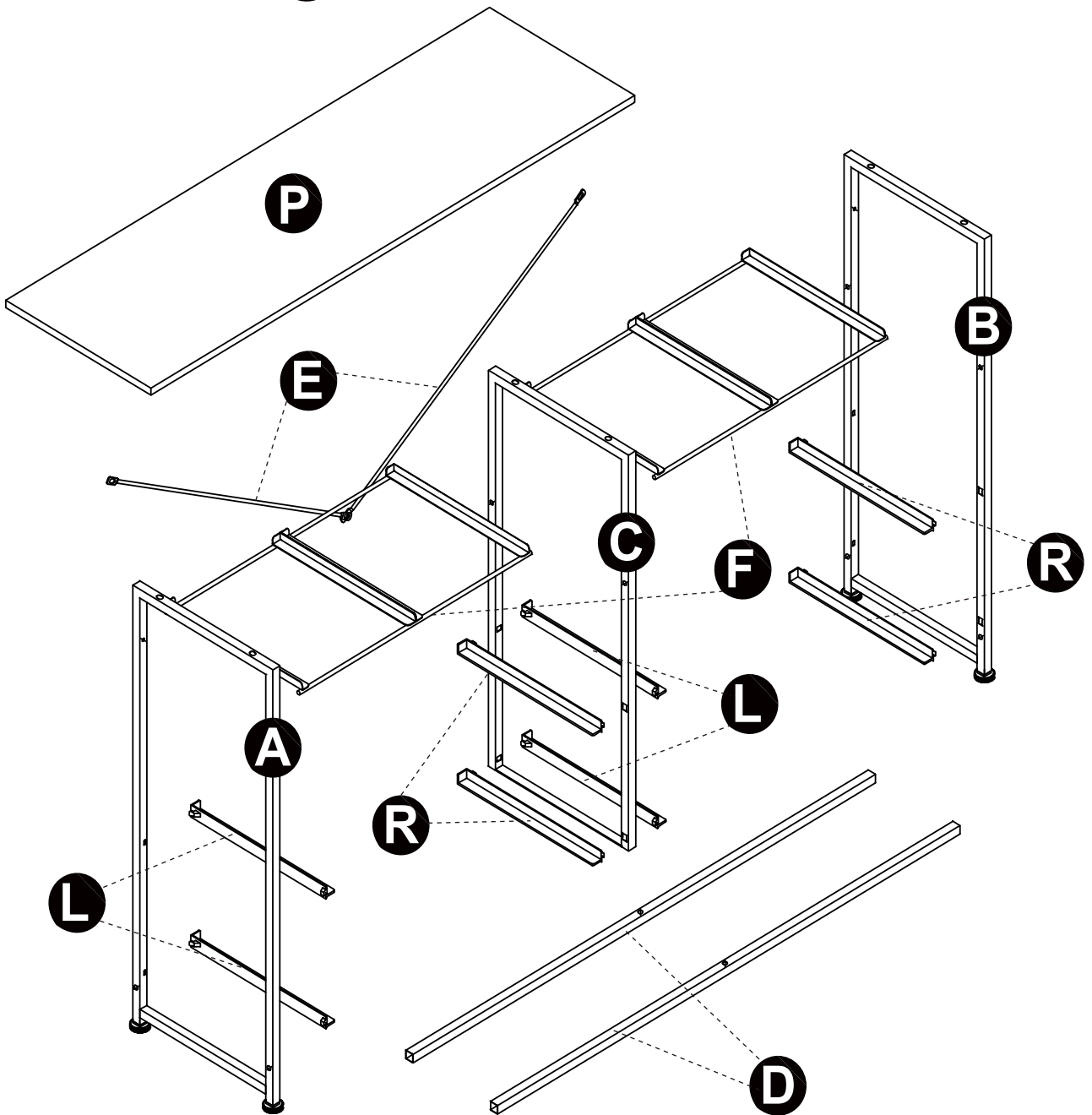




**N** x4



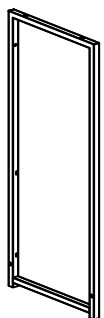
**K** x4



# Package Contents

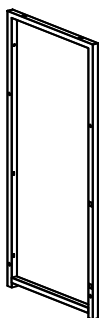
---

**A**x1



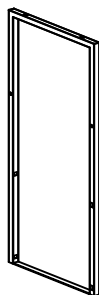
Left

**B**x1



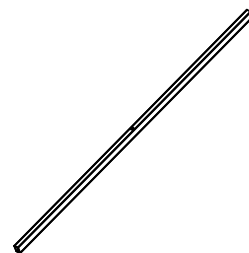
Right

**C**x1

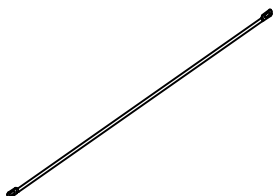


Middle

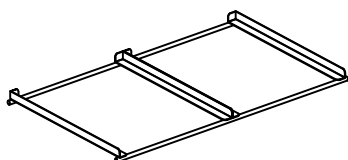
**D**x2



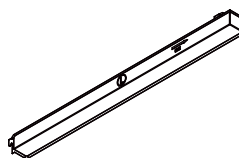
**E**x2



**F**x2

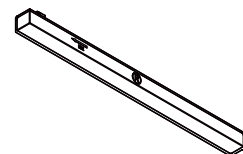


**L**x4



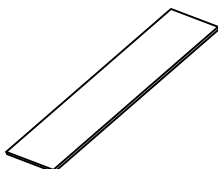
Left

**R**x4

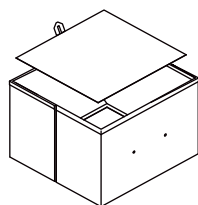


Right

**P**x1

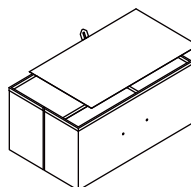


**N**x4



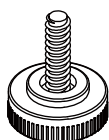
Small

**K**x4

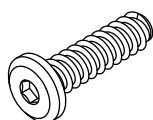


Big

**1**x4

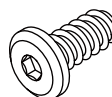


**2**x12



M6 x 23mm

**3**x3



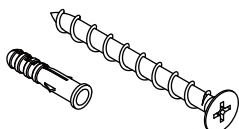
M6 x 10mm

**4**x16



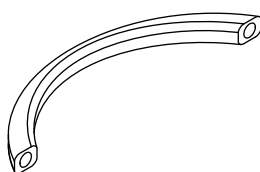
M4 x 10mm

**5**x2

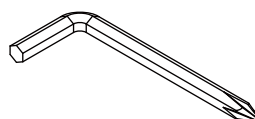


M4x60mm

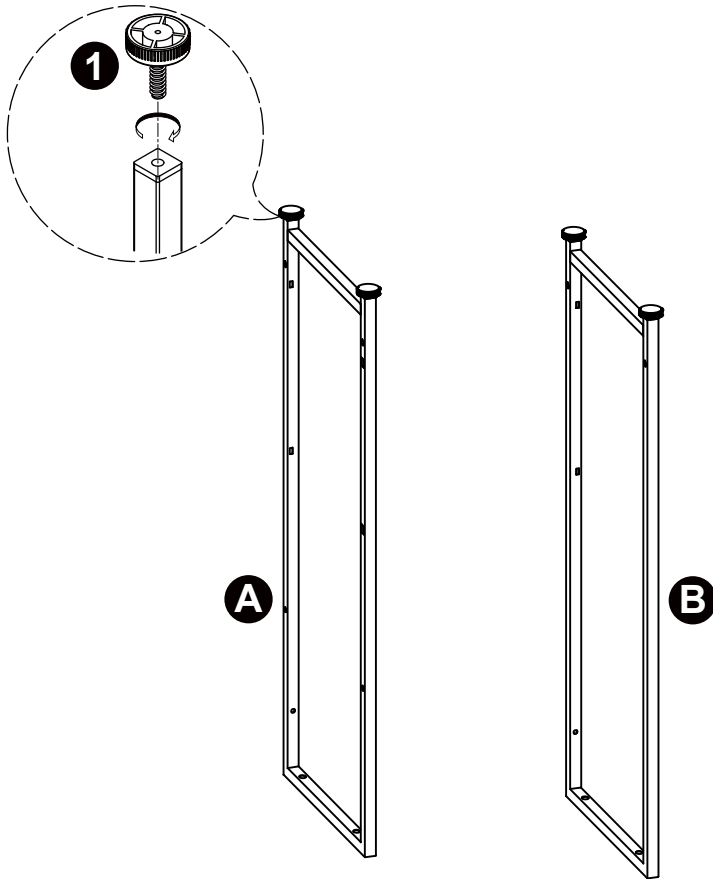
**6**x8



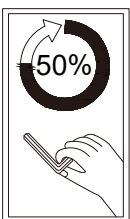
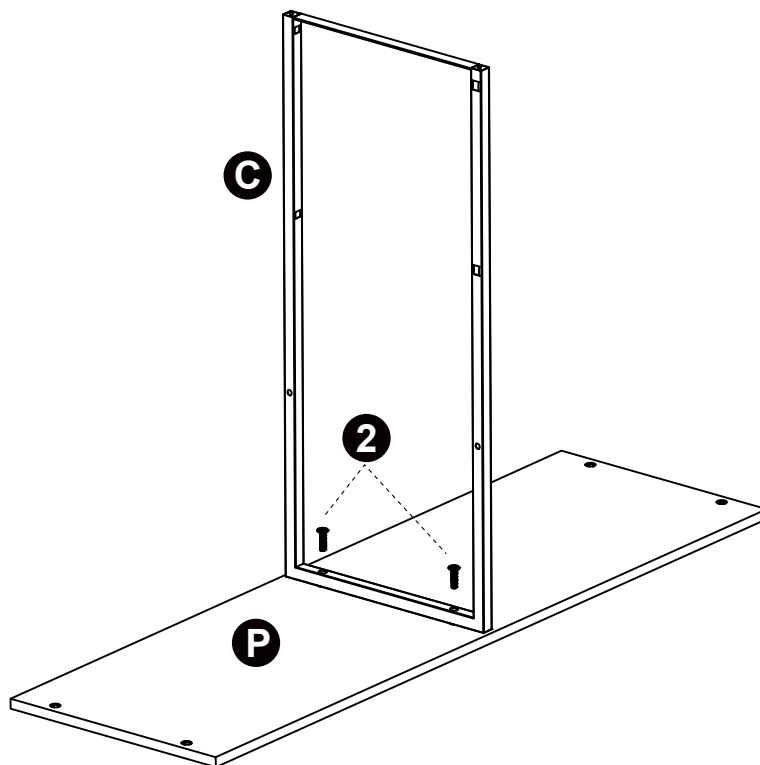
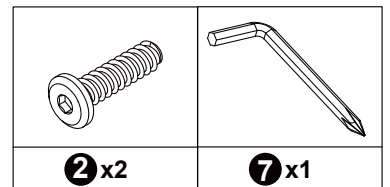
**7**x1



# Step 1

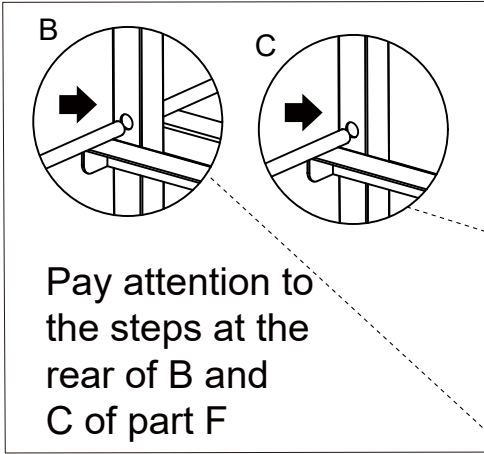


# Step 2

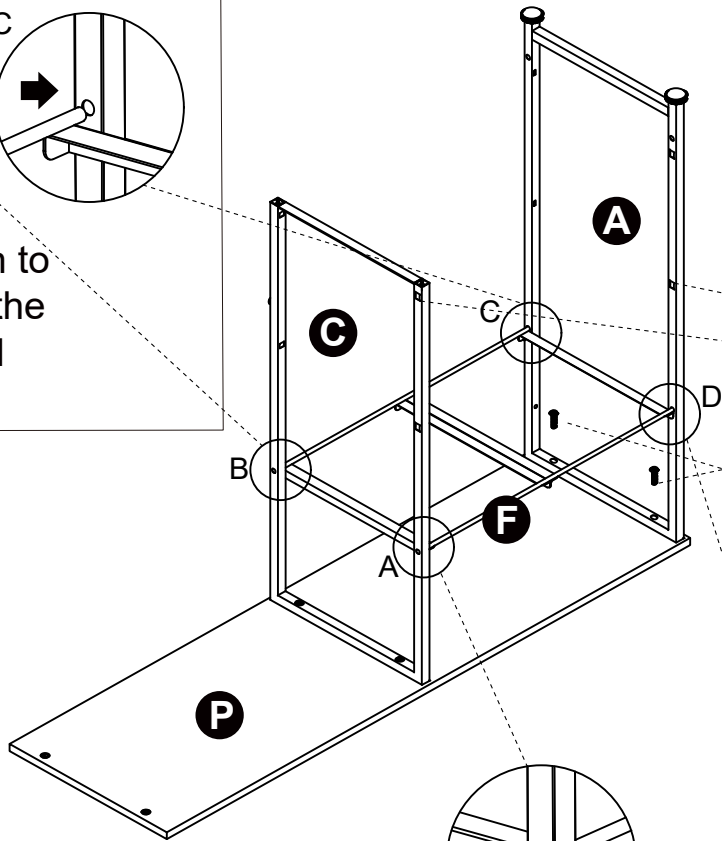
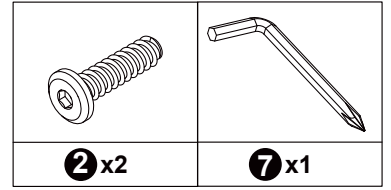


Partially tighten the screws (about 50%).

# Step 3

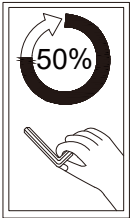


Pay attention to the steps at the rear of B and C of part F

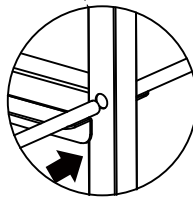


hole

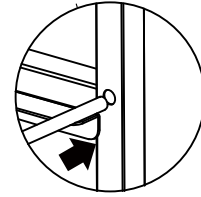
The orientations of the square holes on the Left(A) & Middle (C) should be consistent with the illustration.



Partially tighten the screws (about 50%).

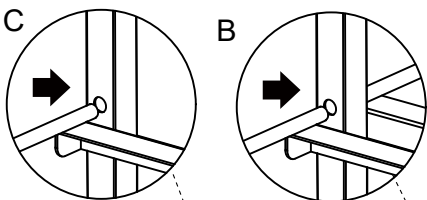


A

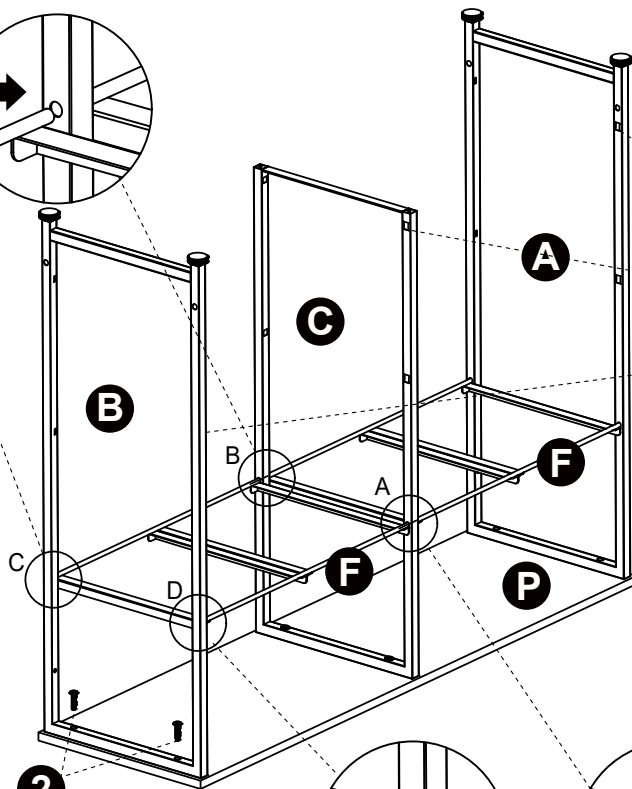
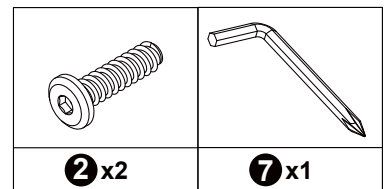


D

# Step 4

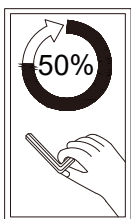


Pay attention to the steps at the rear of B and C of part F

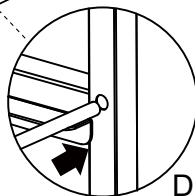


hole

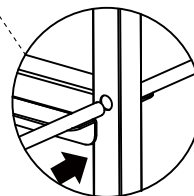
The orientations of the square holes on the Left(A) & Right (B) & Middle (C) should be consistent with the illustration.



Partially tighten the screws (about 50%).

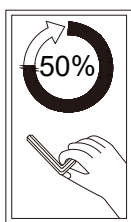
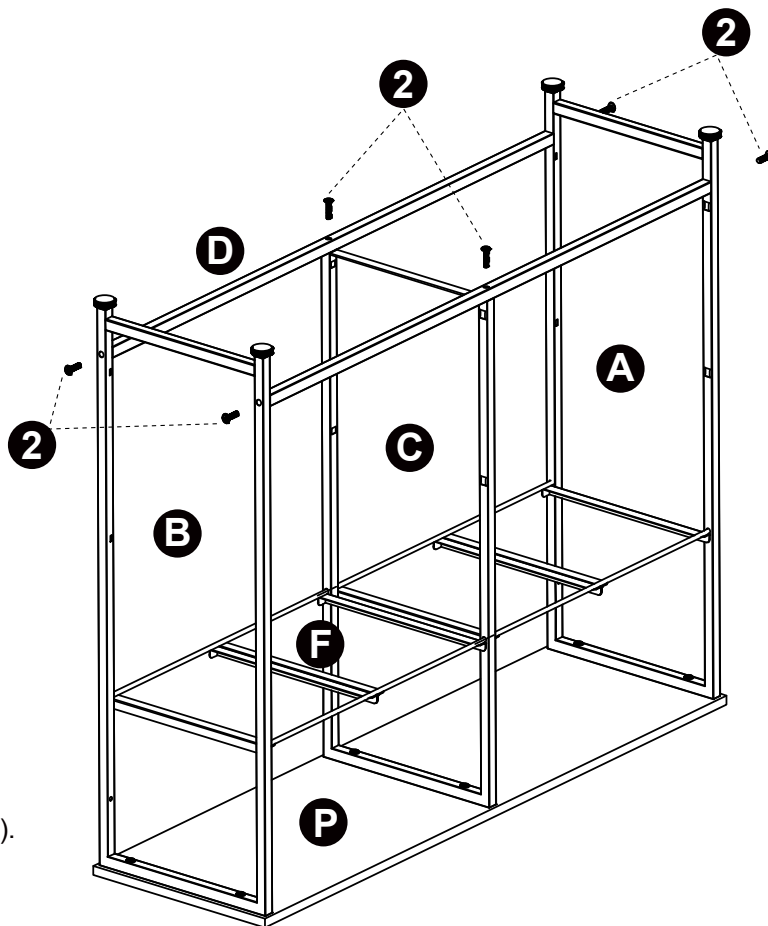


D



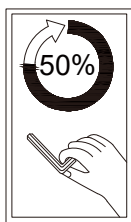
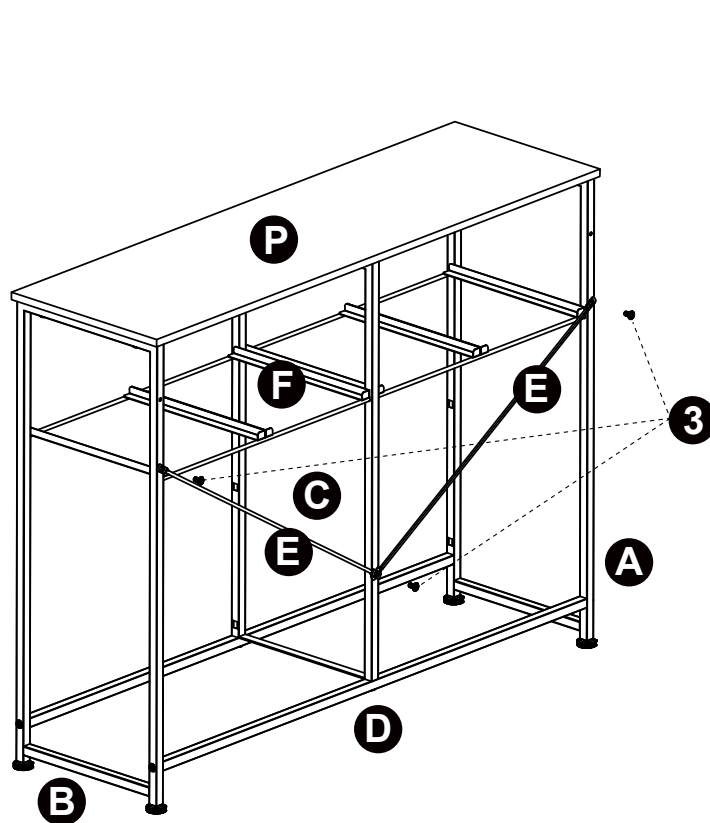
A

# Step 5



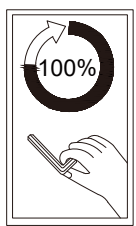
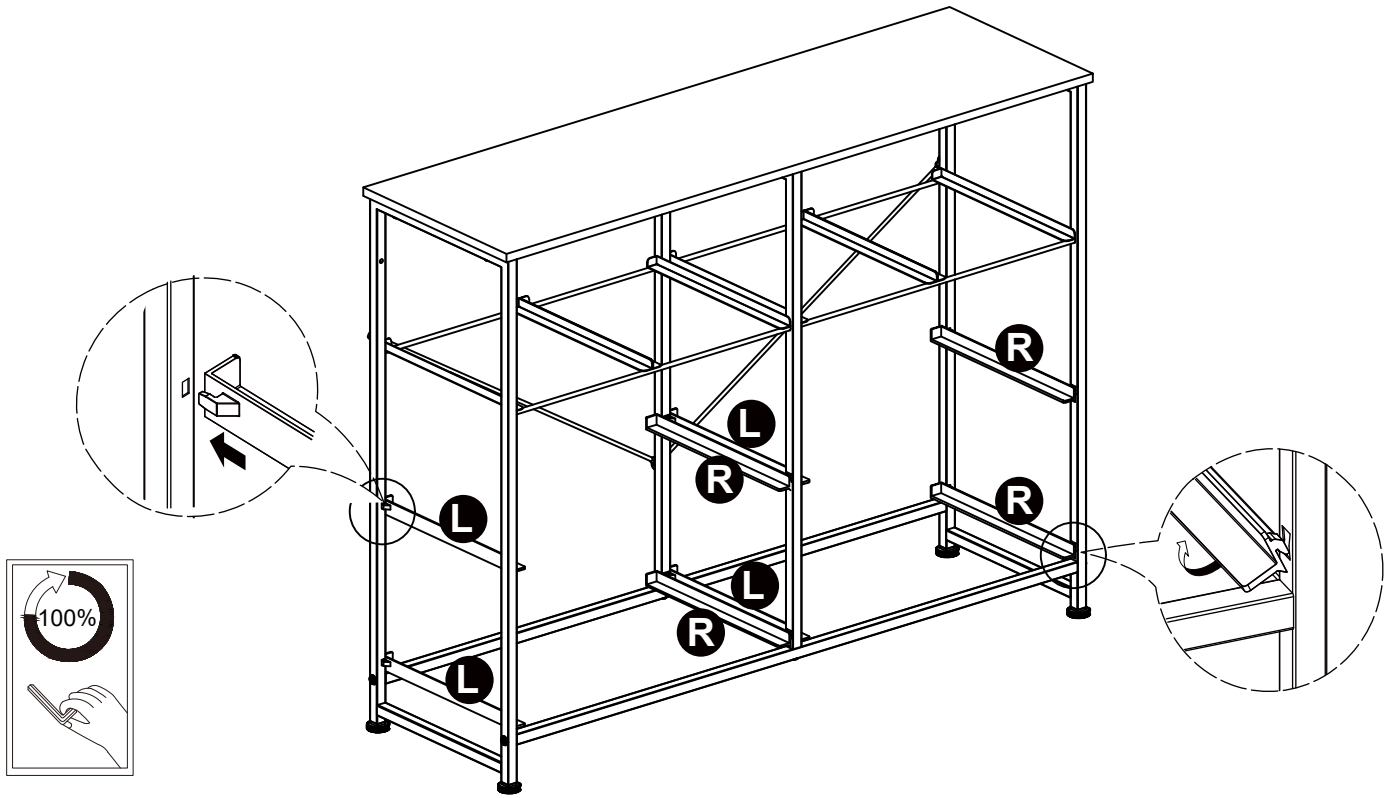
Partially tighten the screws (about 50%).

# Step 6



Partially tighten the screws (about 50%).

# Step 7

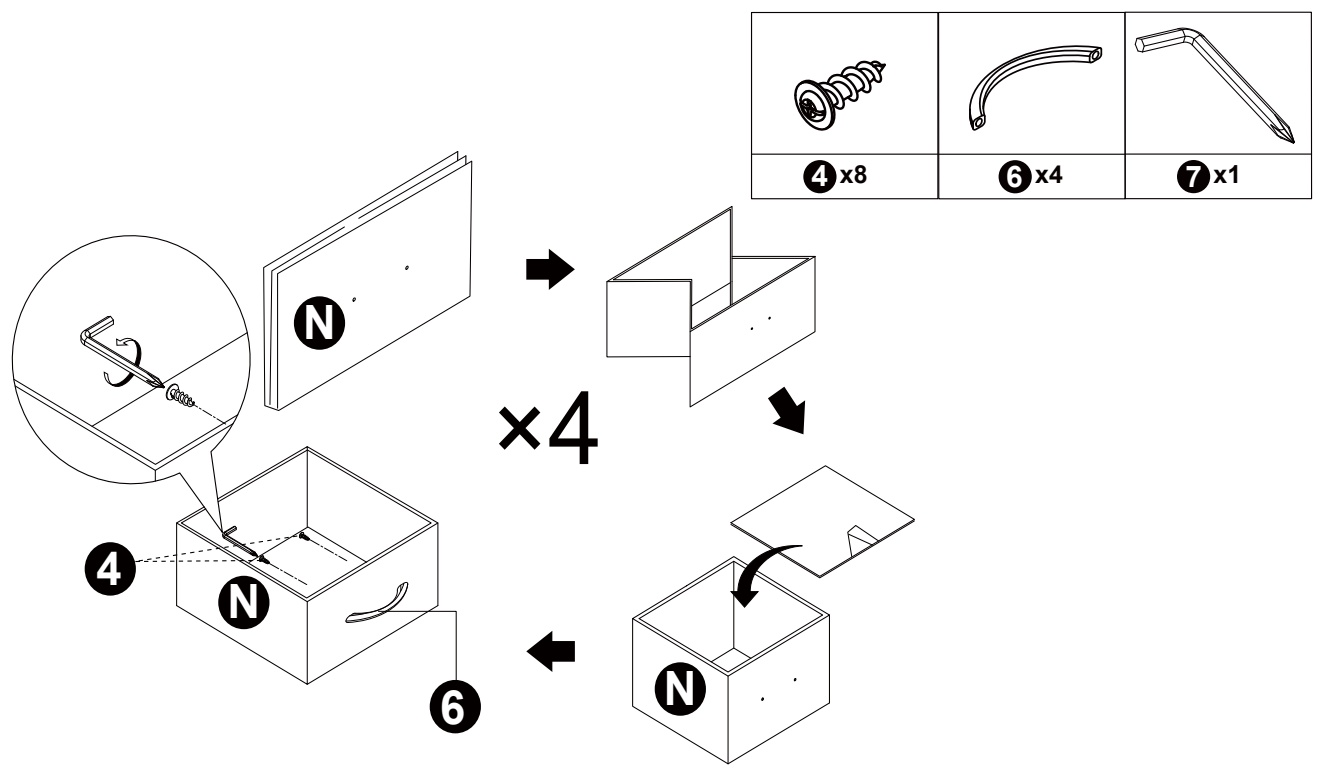


Fully tighten all screws.



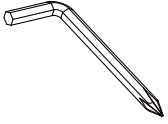


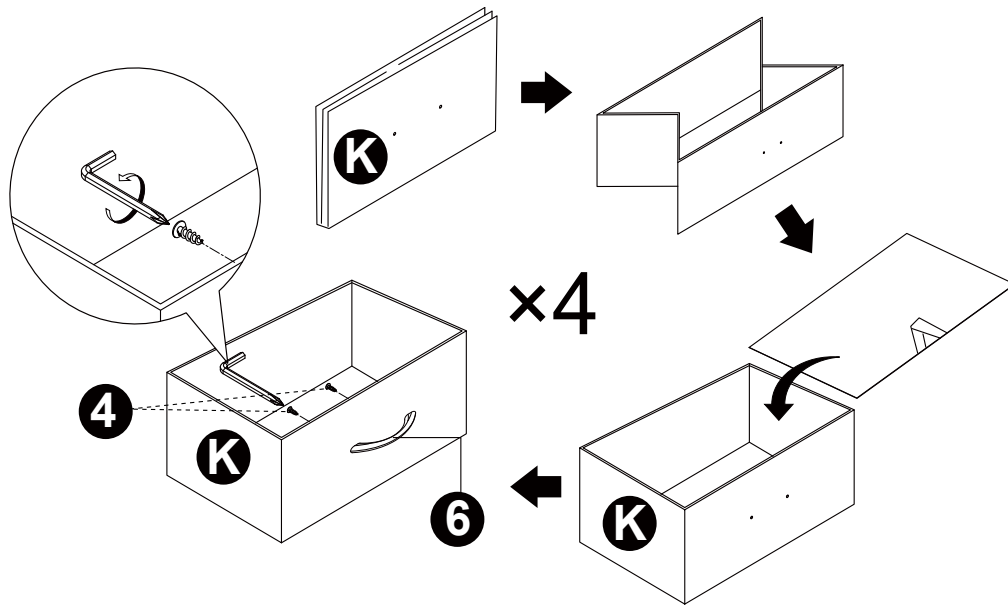
Once all drawer slides are in place, tighten all screws securely.

# Step 8

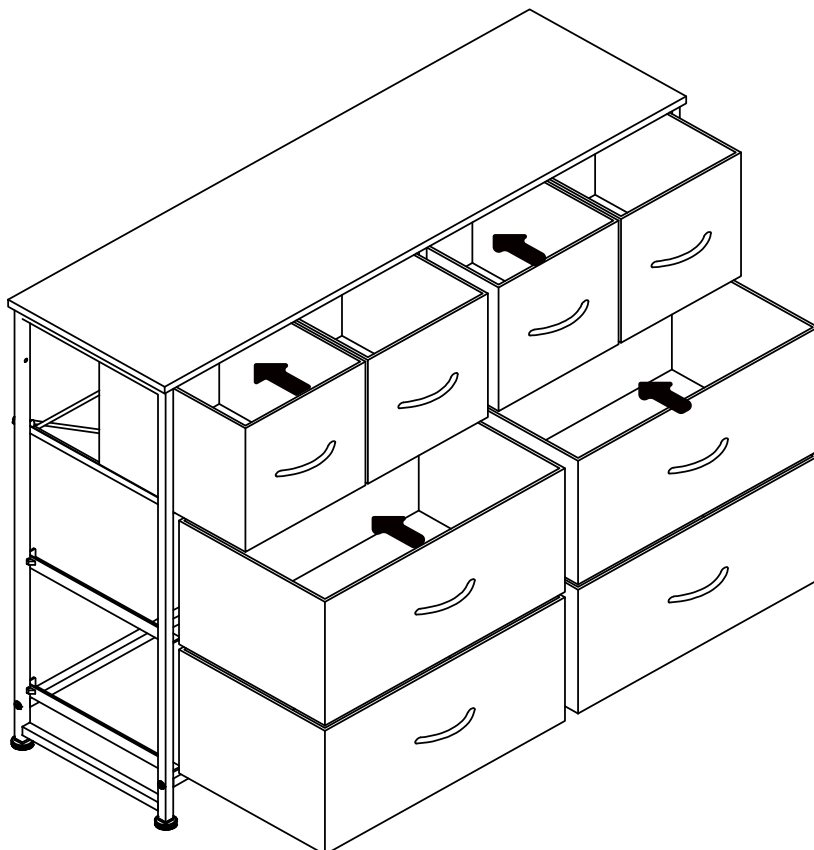


# Step 9

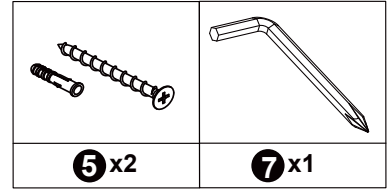
		
<b>4</b> x8	<b>6</b> x4	<b>7</b> x1



# Step 10



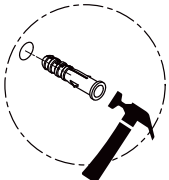
# Step 11



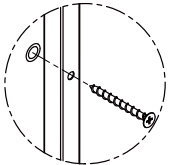
Install the anti-tip kit:



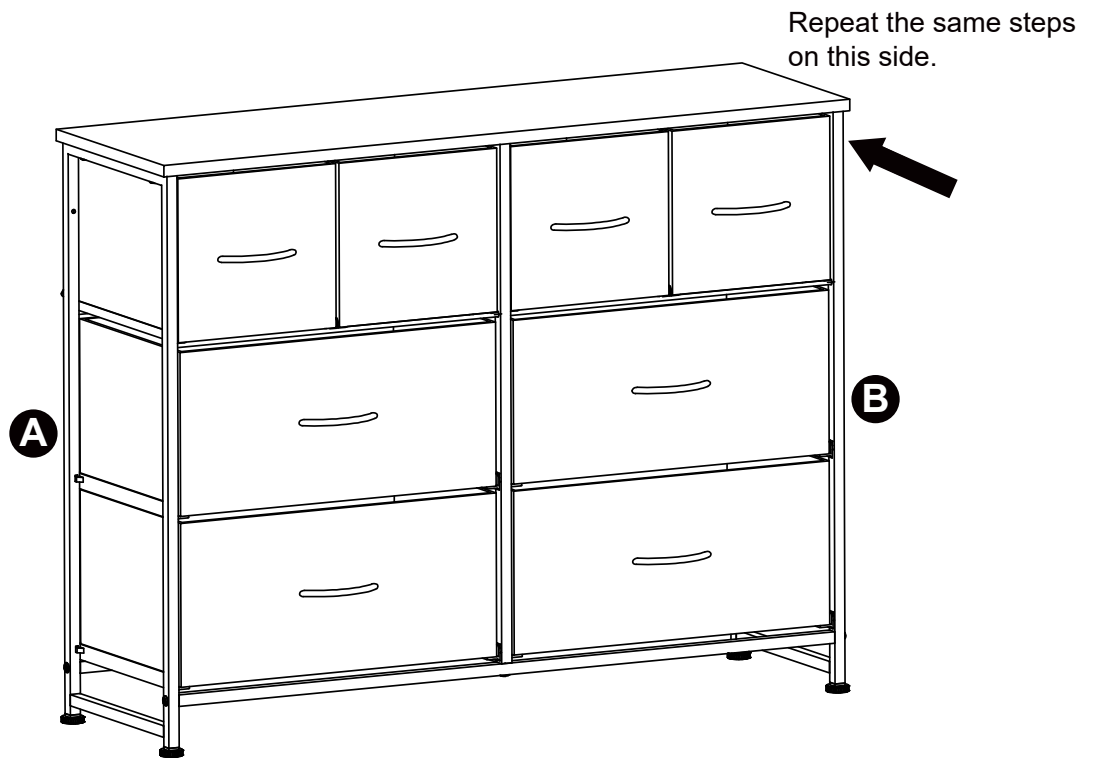
Drill a hole on the wall.

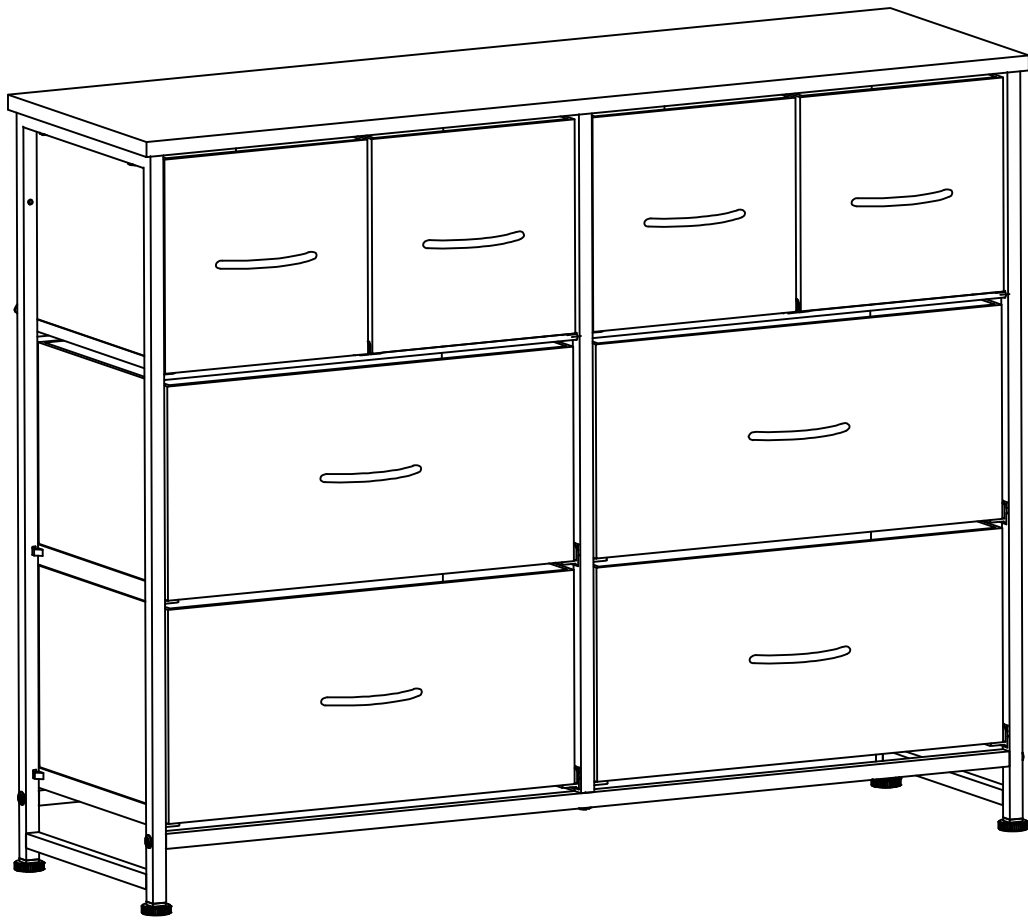


Insert a wall anchor into the hole.



Insert the screw through the frame A into the hole.





Thank you for choosing this product. We strive to provide you with the best quality products and service in the industry. Should you have any issues, please don't hesitate to contact us.