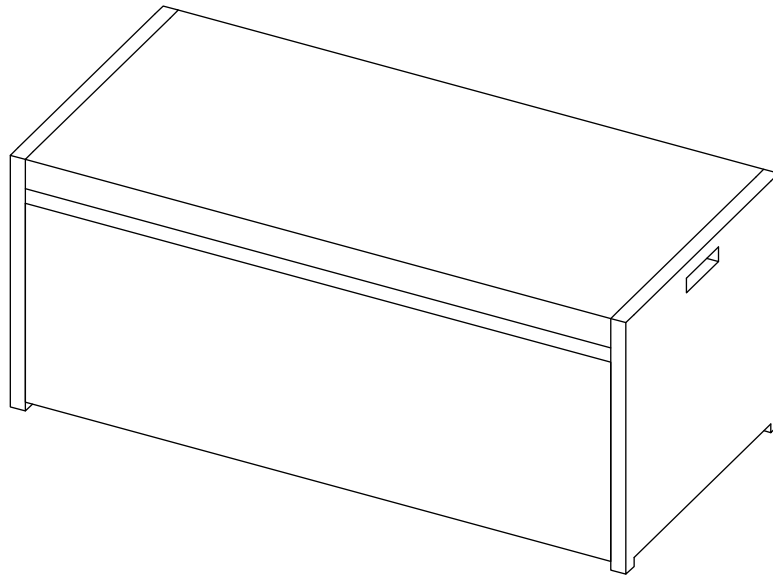


# ASSEMBLY INSTRUCTIONS



---

## ABOUT US

Since 2009, our company has been committed to producing high-quality outdoor products. Thank you for your trust and support. We will provide you with the best shopping experience with our sincerest service and deepest gratitude. Your satisfaction is our eternal pursuit. Being trusted by you is our perpetual goal. On the journey from strangeness to familiarity, and from trust to satisfaction, it is your warm support that gives us more motivation to continue moving forward and providing even better quality and service.



Estimated Time for Assembly

**30:00**



Weight Limitation

**660 lbs**

If you want to return or if the product is unsatisfactory, please try emailing us. We are at your service for 18 hours and will definitely give you a satisfactory answer.

## IMPORTANT SAFETY INFORMATION

**WARNING**

### **GENERAL SAFETY WARNINGS**

---

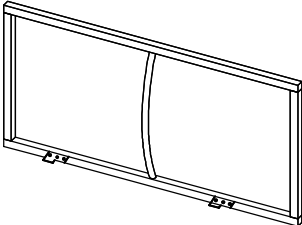
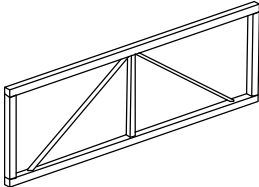
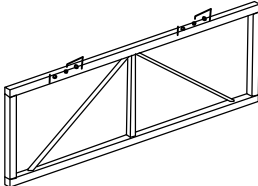
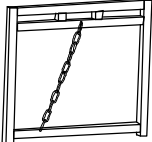
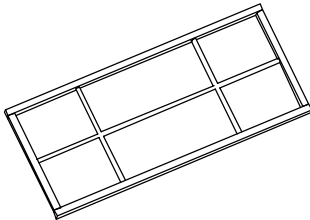
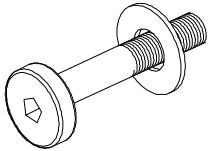
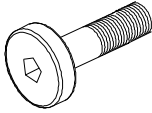

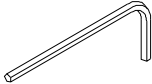
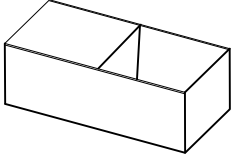
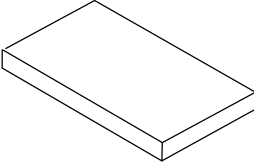
The warnings, precautions, and instructions discussed in this instruction manual cannot cover all possible conditions and situations that may occur. It must be understood by the operator that common sense and caution are factors which cannot be built into this product, but must be supplied by the operator. Read carefully and understand all instructions before operating. Failure to follow the safety rules and other basic safety precautions may result in serious personal injury.

- Please keep away from sources of extreme heat and naked flame.
- Please read through this instruction before beginning assembly.
- Two adults assembly is recommended.
- Clear out the space for assembly and lay out all parts base on Parts List, extra room will allow you to easily determine if all the pieces are present.
- Save all packing materials until assembly is complete to avoid accidentally discarding smaller parts or hardware.
- Keep small parts and pieces away from children until fully assembly.
- Use on even surfaces only.
- Improper use of this product or failure to use as directed may result in injury.
- Ensure that all bolts are securely tightened before use. It is recommended that you re-check all nuts and bolts occasionally and re-tighten as necessary.



**SAVE THESE WARNINGS**

# PART LIST

<p><b>A</b> Bench Top</p>  <p>(1 pc)</p>	<p><b>B</b> Front Penal</p>  <p>(1 pc)</p>	<p><b>C</b> Behind Penal</p>  <p>(1 pc)</p>	<p><b>D</b> Side Penal</p>  <p>(2 pcs)</p>
<p><b>E</b> Bench Bottom</p>  <p>(1 pc)</p>	<p><b>F</b> Bolt&amp;Washer</p>  <p>M6*40 (14 pcs)</p>	<p><b>G</b> Bolt</p>  <p>M6*20 (2 pcs)</p>	<p><b>H</b> Plastic Washer</p>  <p>(2 pcs)</p>
<p><b>I</b> Allen Key</p>  <p>(1 pc)</p>	<p><b>J</b> Bench Linner Cover</p>  <p>(1 pc)</p>	<p><b>K</b> Bench Cushion</p>  <p>(1 pc)</p>	

**Do not fully tighten bolts until assembly is complete**

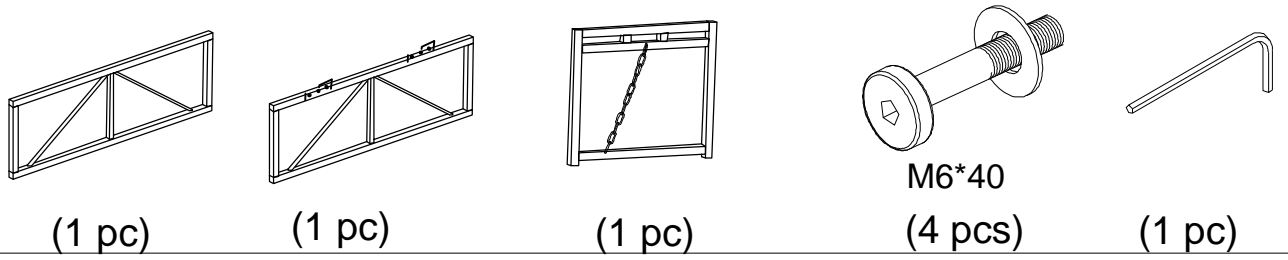
Tools Needed

**All necessary tools are included in the package.**

**NOTE:**

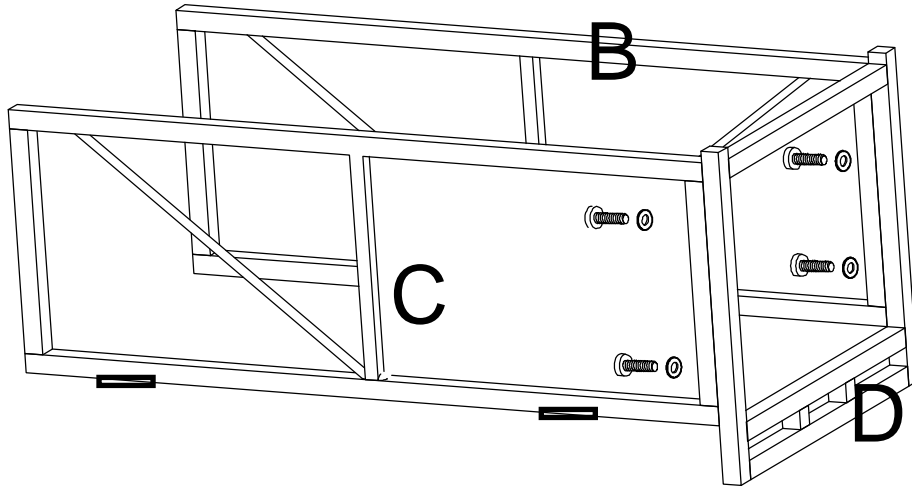
The instruction booklet contains **IMPORTANT** safety information Please read and keep for future reference.

**B** Front Penal   **C** Behind Penal   **D** Left Side Penal   **F** Bolt&Washer   **I** Allen Key



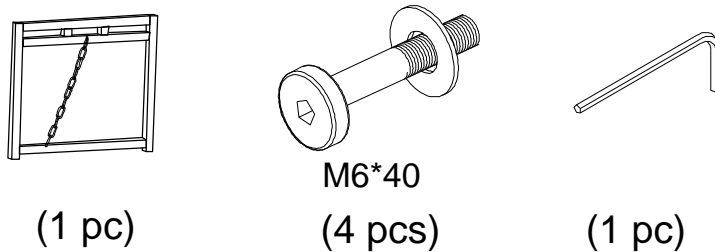
**Step 1**

When assembling the long side panel, make sure the side with the white Velcro is positioned towards the short side with the handle opening, not at the bottom.

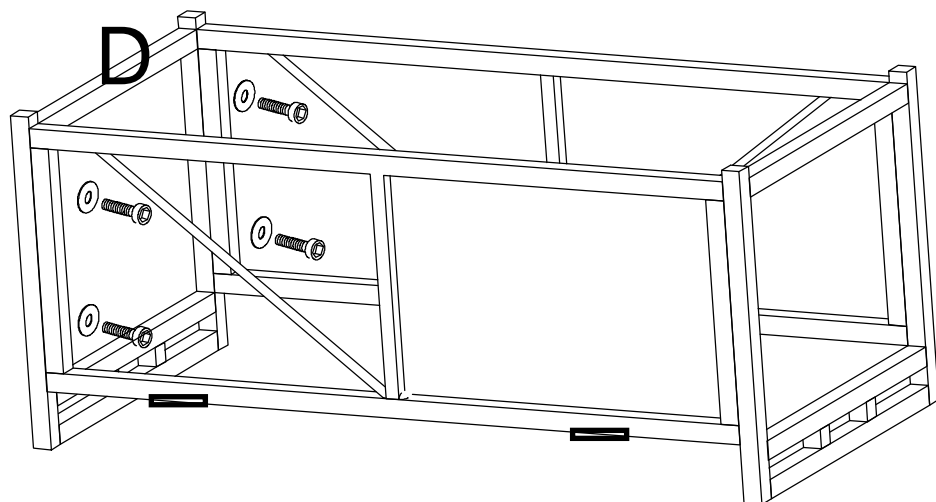


Do not fully tighten bolts until assembly is complete.

**D** Left Side Penal   **F** Bolt&Washer   **I** Allen Key

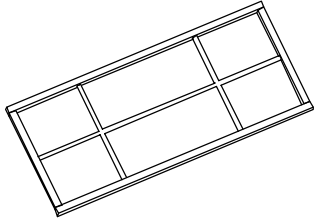


**Step 2**



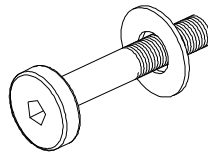
Do not fully tighten bolts until assembly is complete.

**E** Bench Bottom



(1 pc)

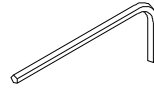
**F** Bolt&Washer



M6\*40

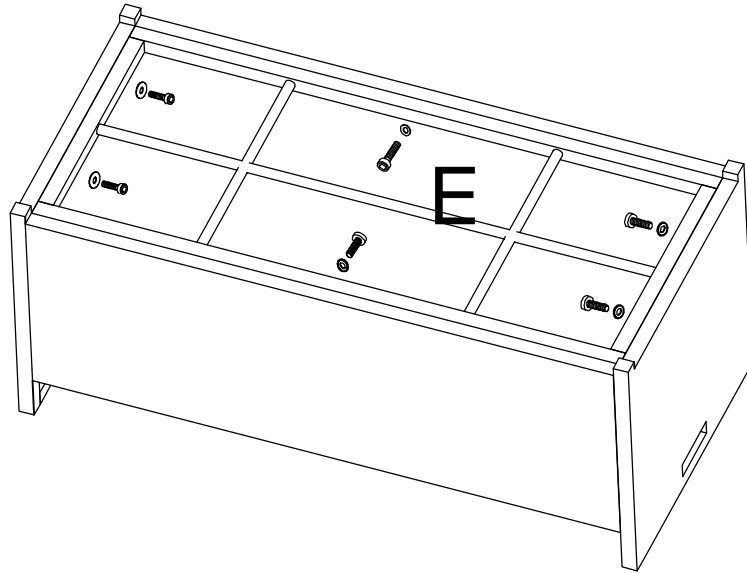
(6 pcs)

**I** Allen Key



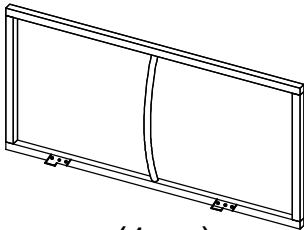
(1 pc)

### Step 3



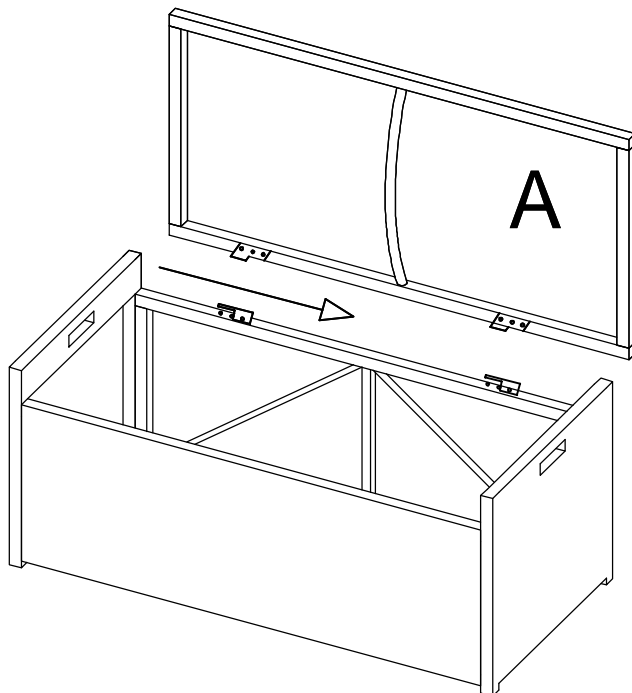
Do not fully tighten bolts until assembly is complete.

**A** Bench Top



(1 pc)

### Step 4

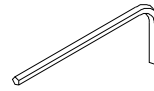
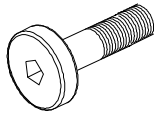


Do not fully tighten bolts until assembly is complete.

**G** Bolt

**H** Plastic Washer

**I** Allen Key

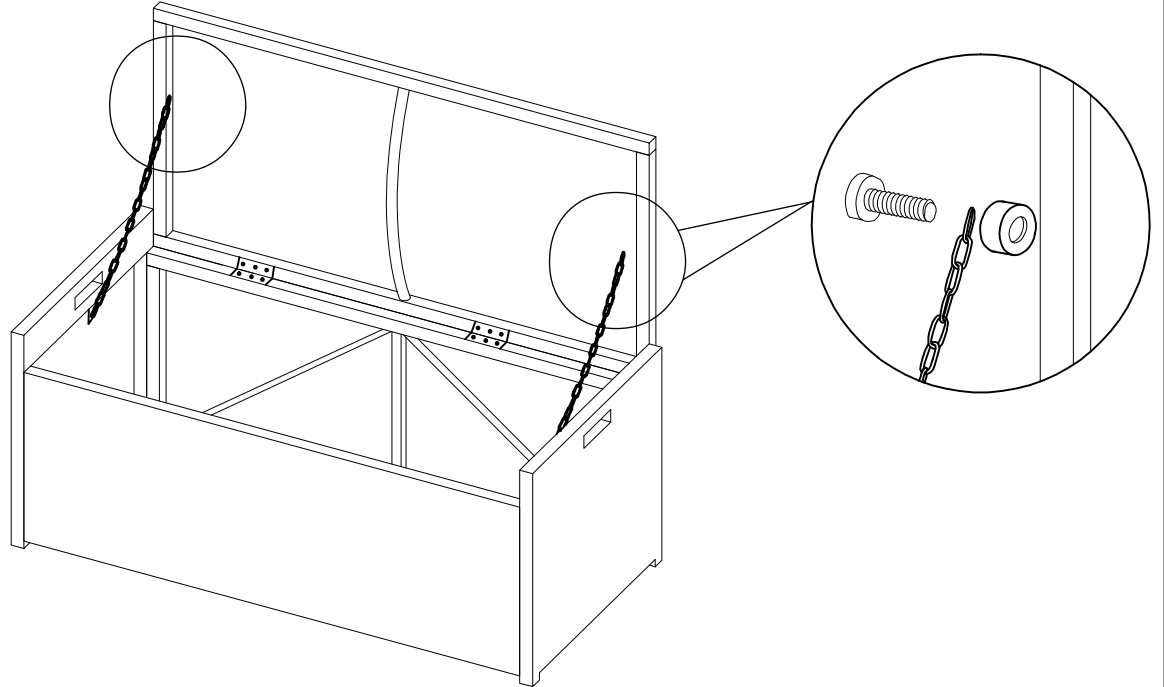


M6\*20  
(2 pcs)

(2 pcs)

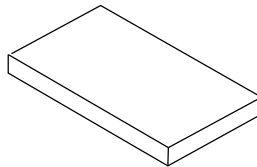
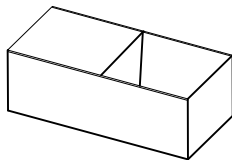
(1 pc)

**Step 5**



**J** Bench Linner Cover

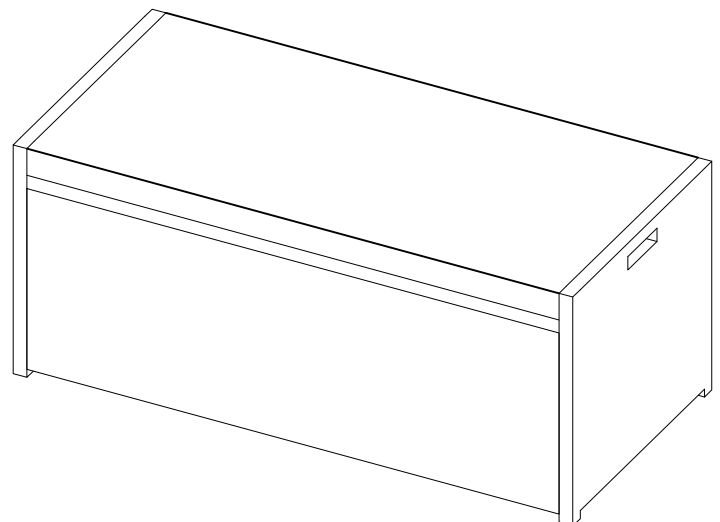
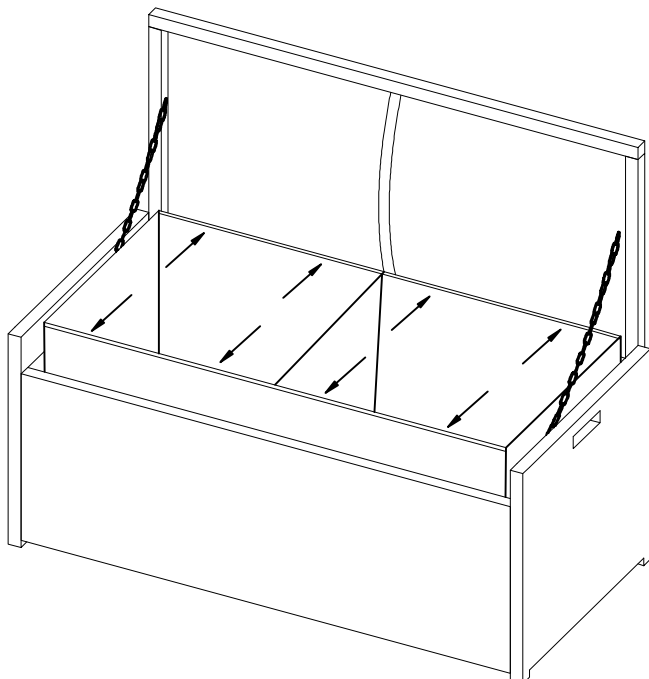
**K** Bench Cushion



(1 pc)

(1 pc)

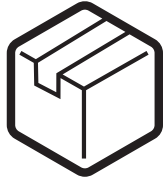
**Step 6**



Completed assembly should look like this.

# Warranty

Thank you for your purchase. We would love to hear your feedback on the use of our product and would greatly appreciate your suggestions. If you have any dissatisfaction with our products or want to return them, please contact our store or you can contact us through the email below. We are online for 18 hours waiting for your message.



Replacement



You

You don't have to worry about re-packaging / schedule pick-up.

# Service

Looking forward to the completed product after assembly! As all our products are handmade, some uncontrollable factors may arise. If you encounter any quality issues with the product or experience difficulties during assembly, please do not do not panic! Kindly contact us as soon as possible. Our customer service team will provide you with the fastest solution and offer you quality and professional service.

# FURNITURE CARE AND MAINTENANCE

## Polyrattan Furniture

Thank you for your purchase. We want your item to last as long as possible. To ensure the product gives you years of service, please refer to this care and maintenance guide.



### MAINTENANCE

- Tighten all bolts and screws again within the first 2 weeks of assembly.
- Check the tightness of all bolts every 2 months, tighten them if necessary.



### CLEANING (CUSHION)

- Leave the filling inside the cover.
- Gently spray and wash the surface to remove any dirt and grime.
- Agitate the surface with natural soap (not detergent).
- Rinse the cushion with cold water.
- Fully air dry the cushion before using or storing.

⚠ DO NOT apply heat to the fabric.

⚠ DO NOT put fabric into washing machine or tumble dryer.

### CLEANING (POLYRATTAN)

- Remove all cushion from the furniture.
- Spray and wash the furniture with warm water to remove dirt and dust.
- Use mild soap solution and agitate with a soft brush if necessary.
- Rinse the furniture with clean water to remove residue or any soap solution.

⚠ DO NOT wash the product with pressure washer or solvent based, abrasive powder, chlorine bleaches or silicone cleaner to prevent damaging the product.



### STORAGE

- All polyrattan furniture and cushion should always be air dried before storage.
- To protect the appearance, the furniture should be protected from all severe weather or strong direct sunlight and stored under cover.