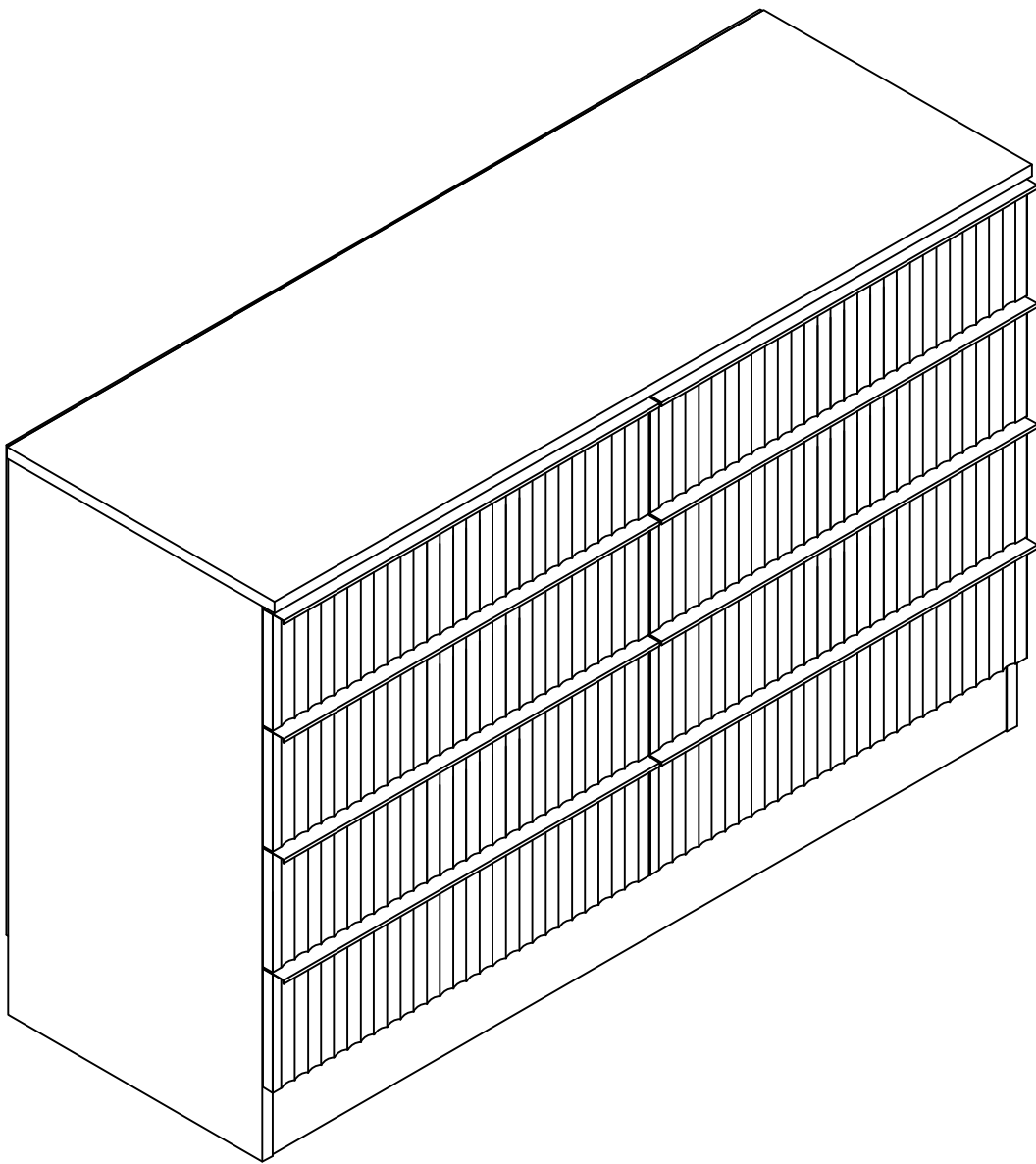


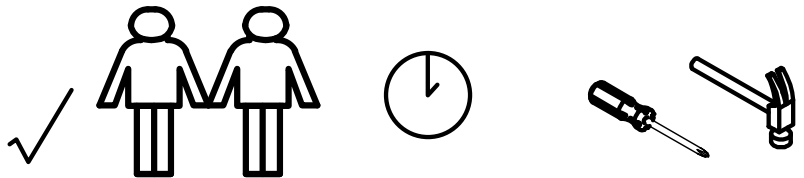
4+4 DRAWER CHEST



Safety and Care Advice

IMPORTANT - Please Read This Instruction Carefully Before Assembly.

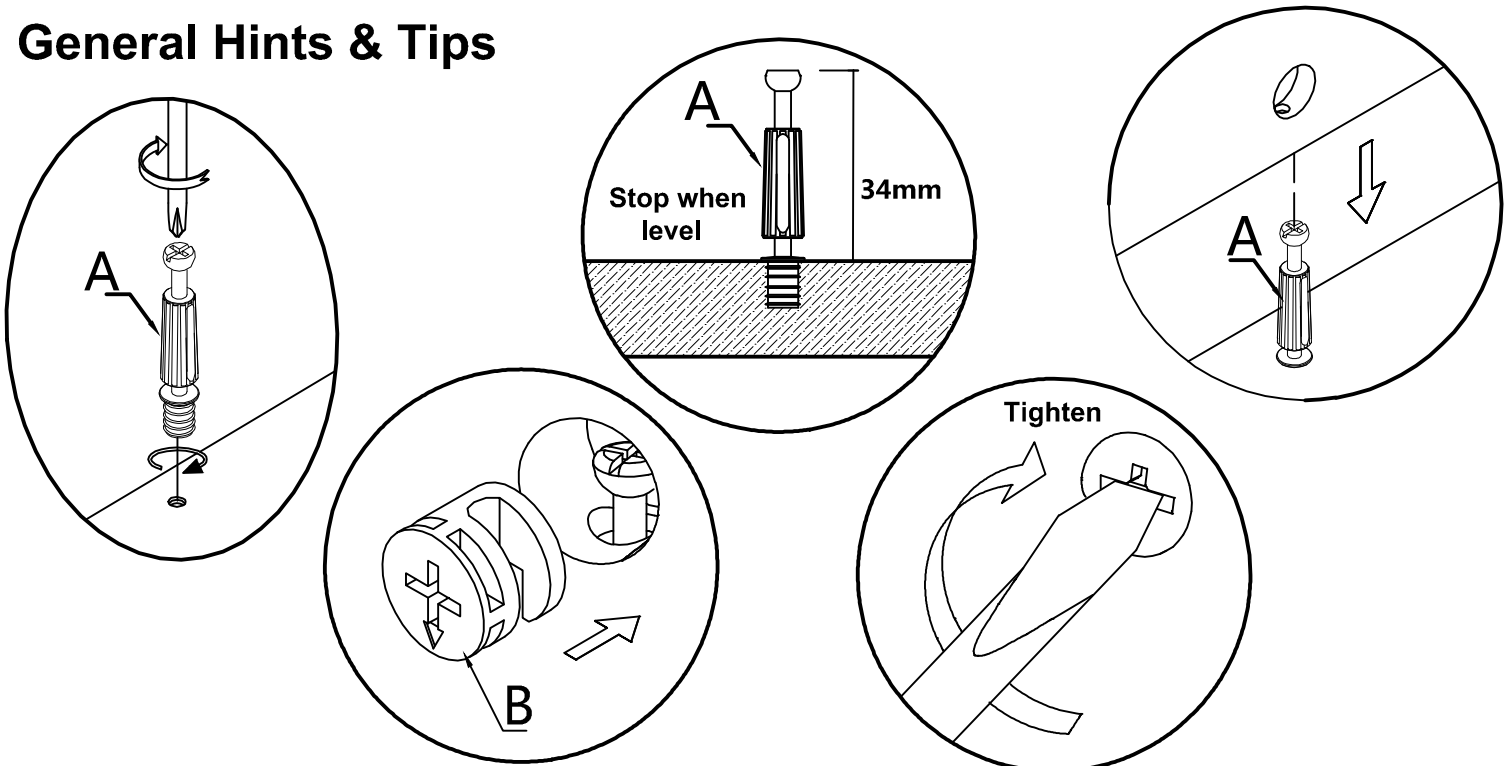
- Check you have all the components and tools listed on page 3.
- Do not stand or put weight on the product, this could cause damage.
- Do not use power drill/drivers for assembly, or the unit may be damaged.
- Remove all settings from the plastic bags and separate them into their groups.
- Assemble the item as close to it's intended position (in the same room) as possible.
- Assemble on a soft level surface to avoid damaging the unit.
- Dispose of all packaging carefully and responsibly.
- Keep children and animals away from the work area, small parts could choke if swallowed.
- Assemble on a soft level surface to avoid damaging the unit.
- Parts of the assembly will be easier with 2 people.
- Make sure you have enough space to layout the parts before assembly.



CARE and MAINTENANCE

- Only clean using a damp cloth and mild detergent, do not use bleach or abrasive cleaners.
- From time to time check that there are no loose screws on this unit.
- This product should not be discarded with household waste. Take to your local authority waste disposal center.

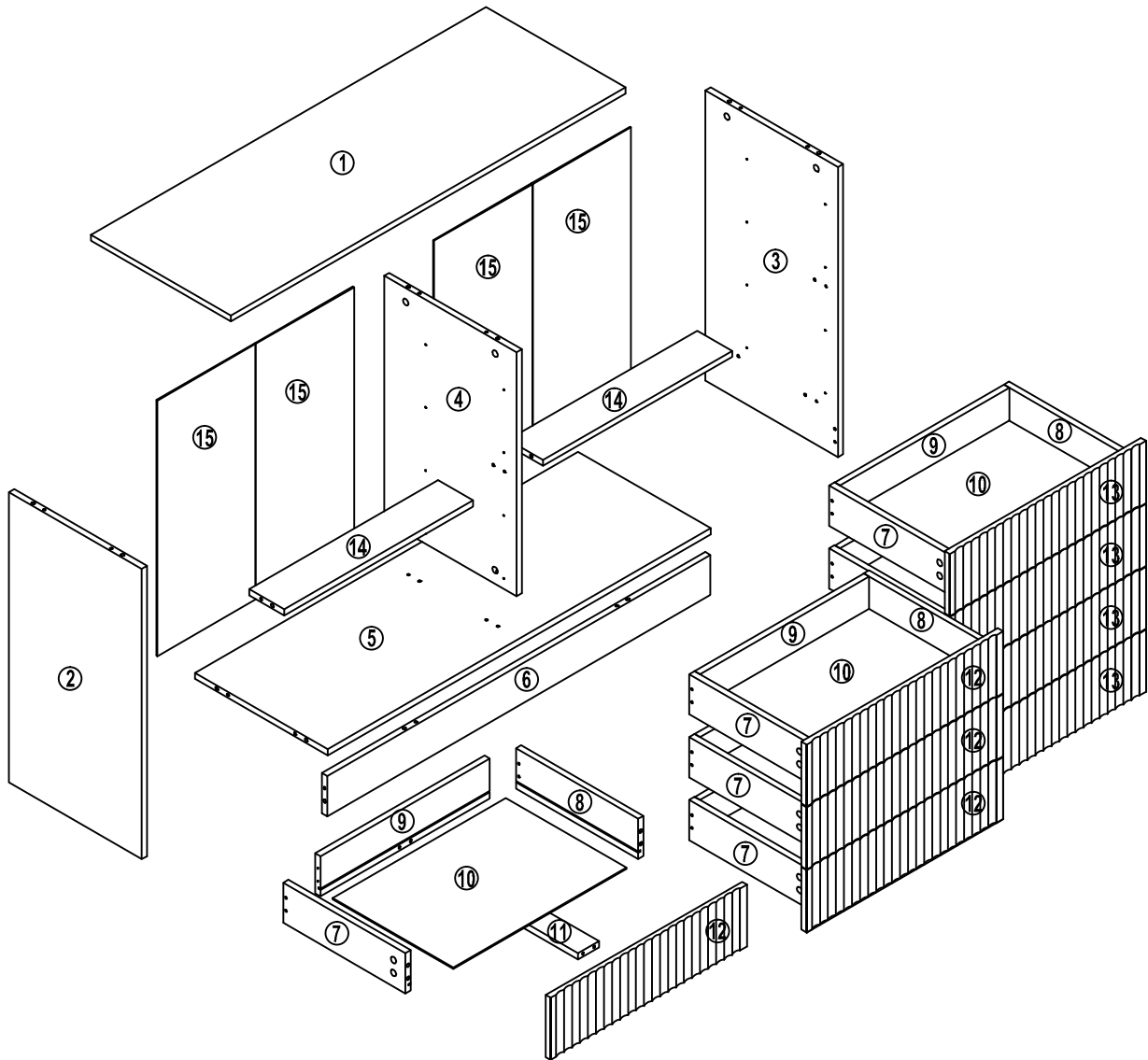
General Hints & Tips

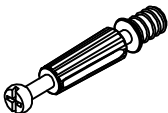
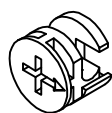
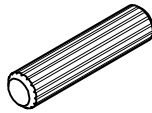

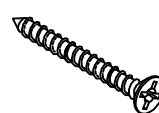

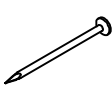


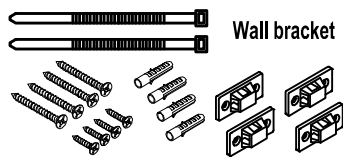
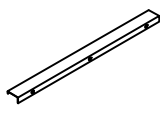


Components and Tools

IMPORTANT - Please Check If You Have All The Components and Tools.

Note: The quantities below are the correct amount to complete the assembly. In some cases more pieces may be supplied than are required.



A=52  Peg M6*34mm	B=52  Lock M15*12mm	C=52  Dowel M8*30mm	D=64  Screw M3.5*14mm	E=32  Screw M4*38	F=6  Plastic Feet
G=28  Pin	H=24  Screw M3.5*12mm	CR CL DR DL=8  Drawer Runner	P=1  Wall bracket	I=8  Handle F256=560mm	

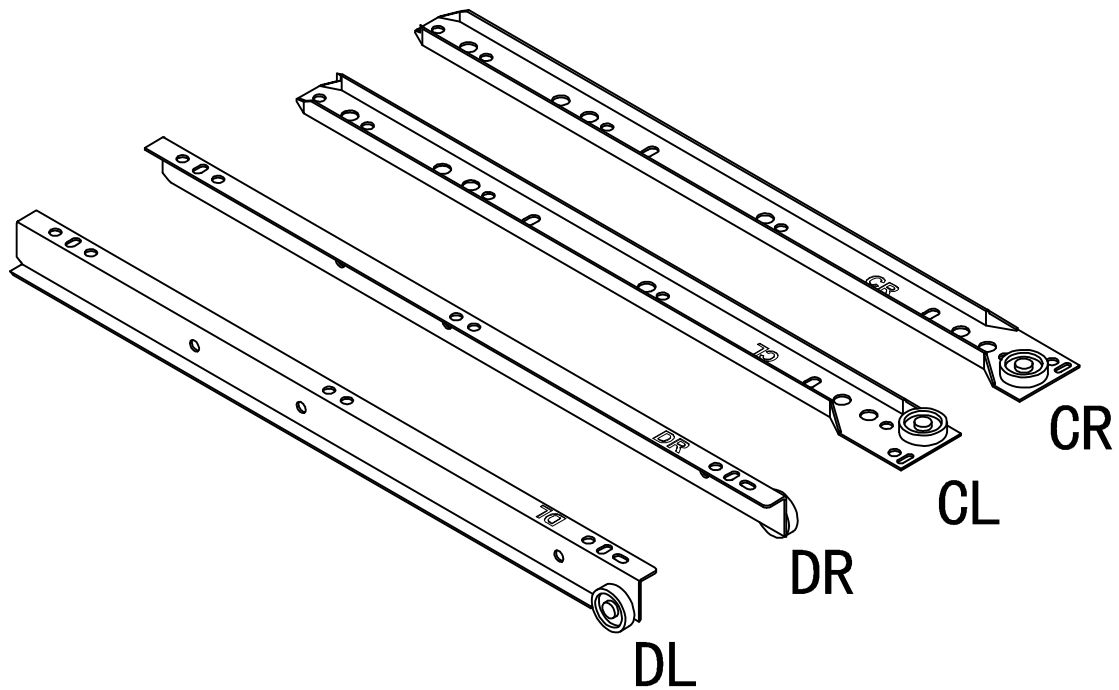
10F2 ①, ⑤, ⑥, ⑩X8, ⑪X8, ⑫X4, ⑬X4, ⑭X2,

20F2 ②, ③, ④, ⑦X8, ⑧X8, ⑨X8, ⑮X4, **FITTING KIT**

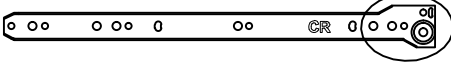
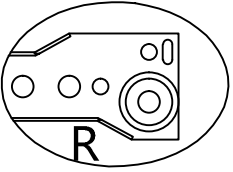
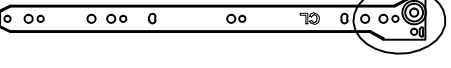
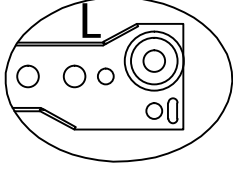
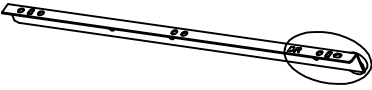
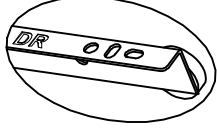
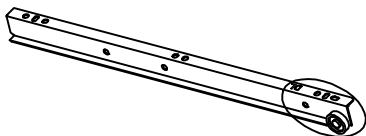
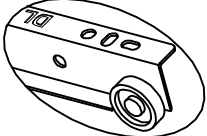
Drawer Runner Instruction

IMPORTANT - Please Read It Carefully.

NOTE:1 PAIR DRAWER RUNNER INCLUDES 4 PIECES.

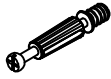
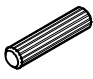


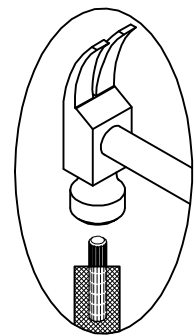
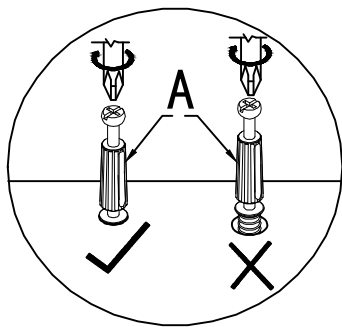
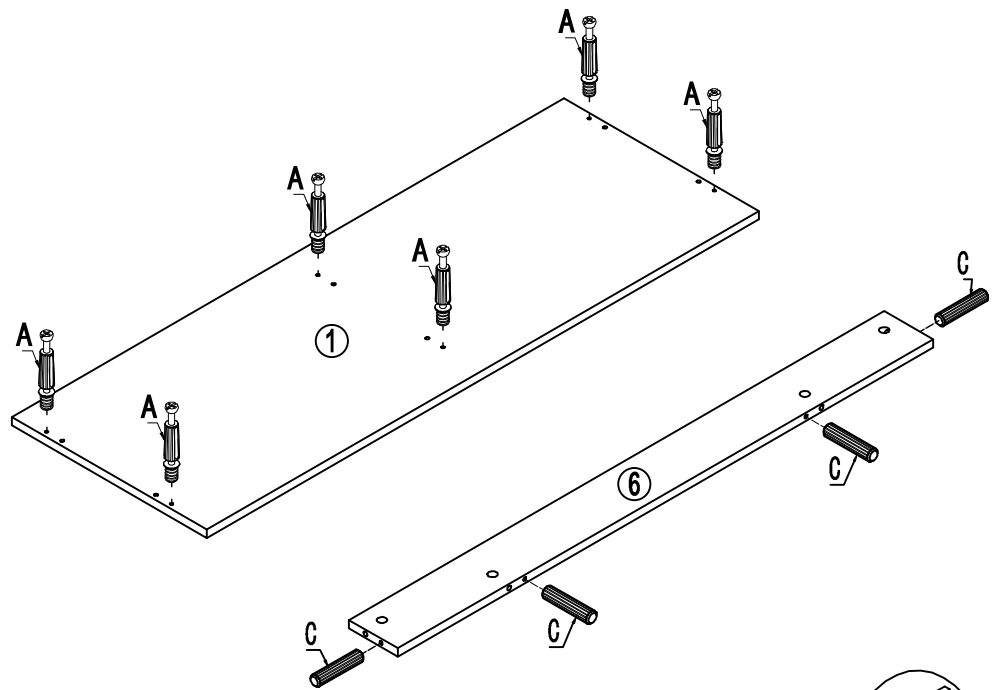
Fittings (not to scale)

NO.	DESCRIPTION	QTY		
CR	Outer Drawer Runner - Right	8PCS		
CL	Outer Drawer Runner - Left	8PCS		
DR	Inner Drawer Runner - Right	8PCS		
DL	Inner Drawer Runner - Left	8PCS		


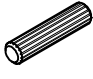
Assembly Instruction

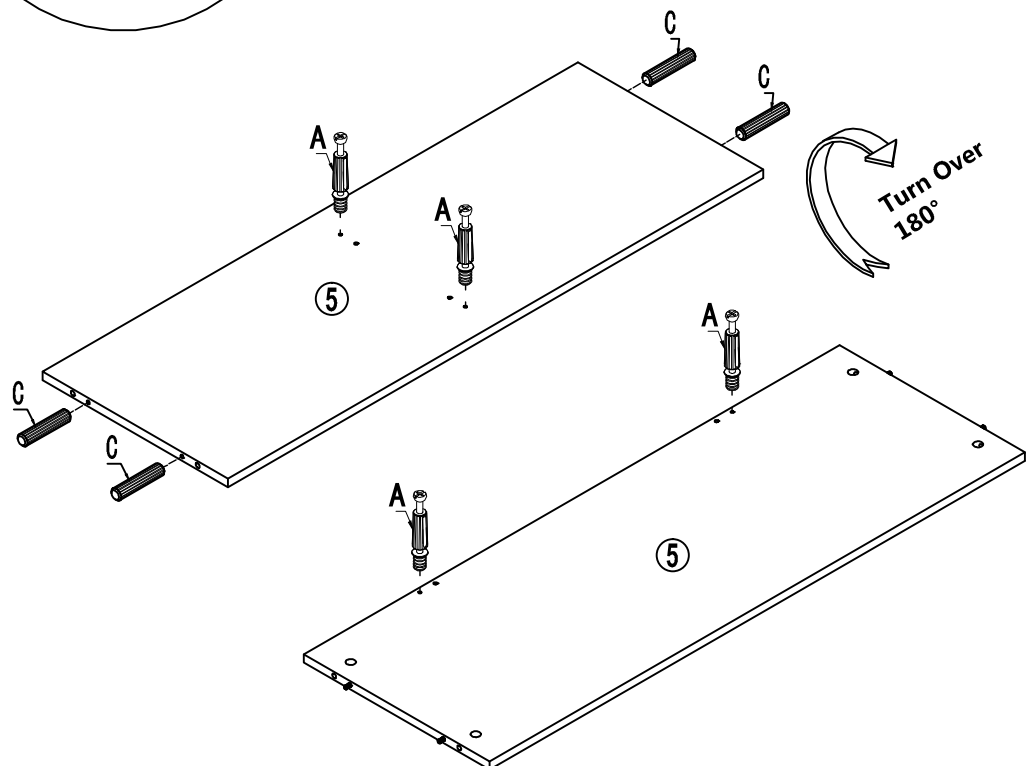
Step 1

A=6	C=4
	
Peg	Dowel



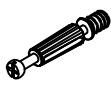




Step 2

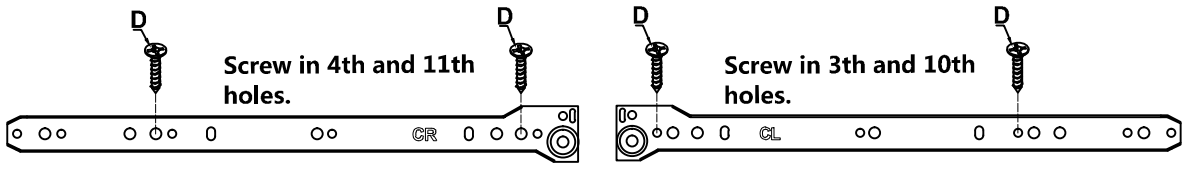
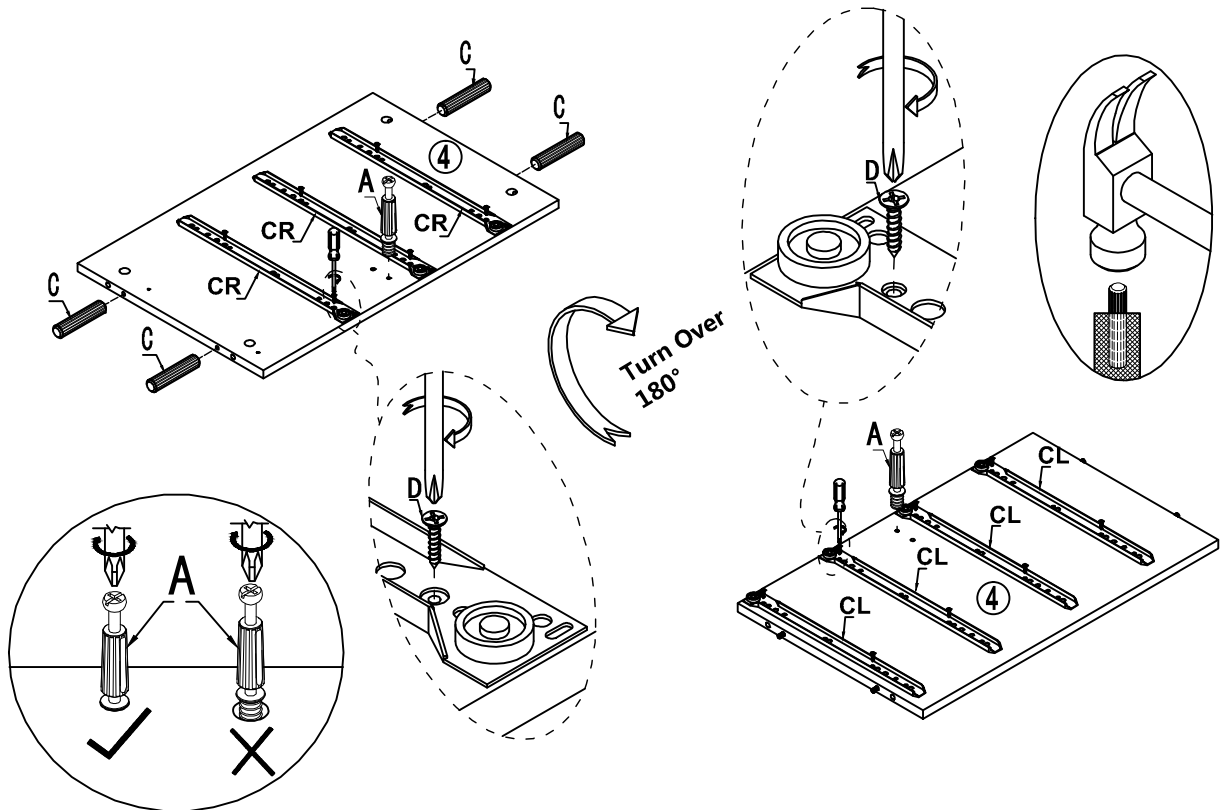
A=4	C=4
	
Peg	Dowel



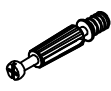




Assembly Instruction

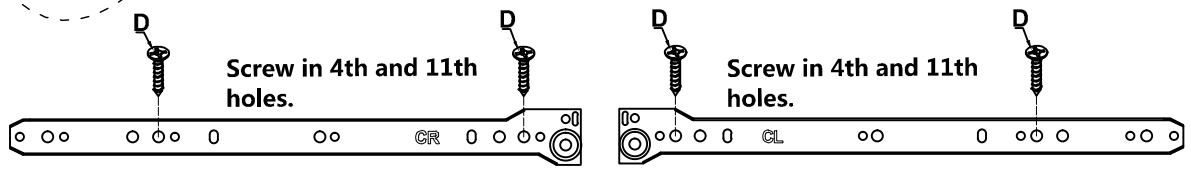
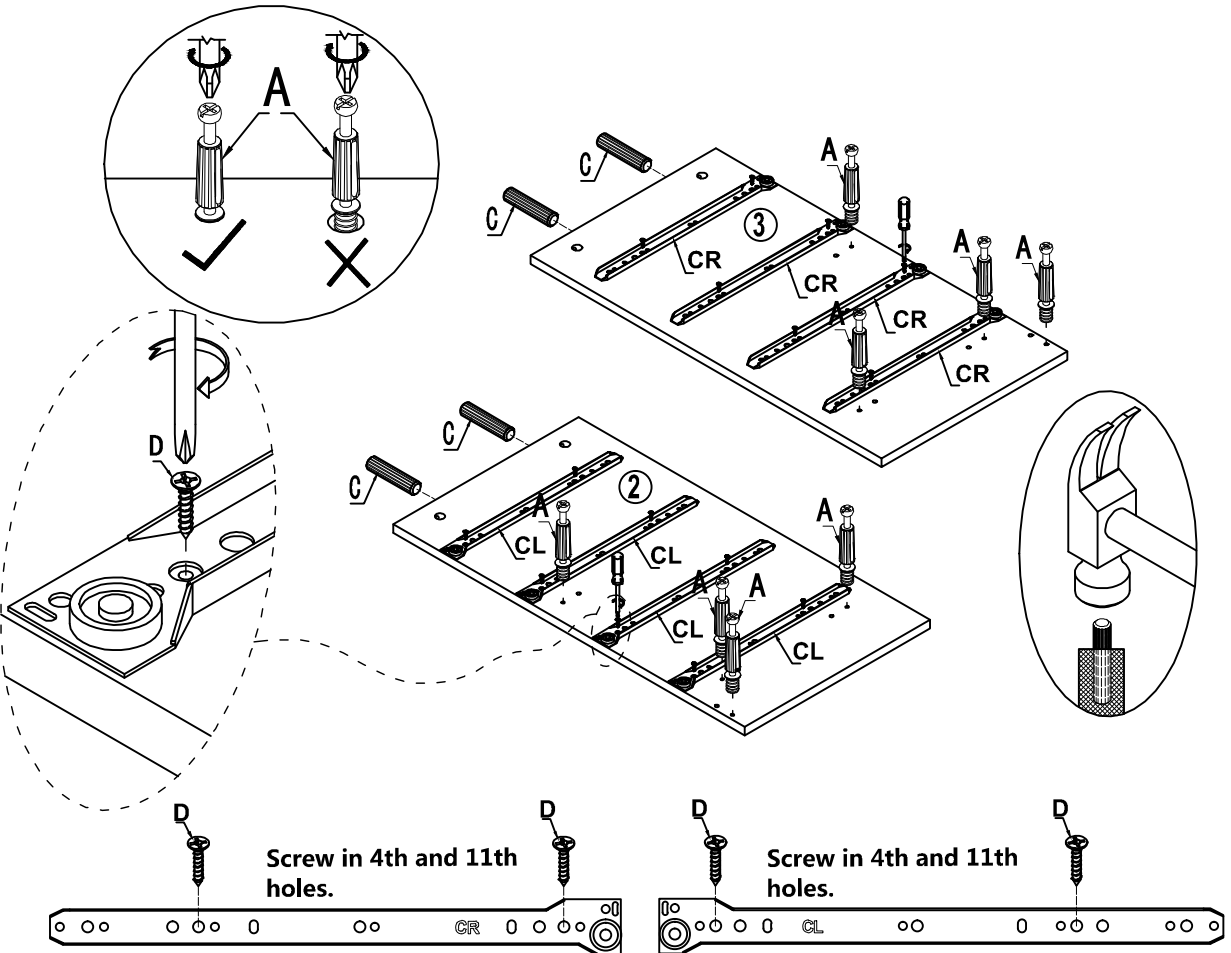
Step 3

A=2	C=4
	
Peg	Dowel
CR=3	D=14
	
Runner	Screw M3.5*14mm
CL=4	
	
Runner	



Step 4

A=8	C=4
	
Peg	Dowel
CR=4	D=16
	
Runner	Screw M3.5*14mm
CL=4	
	
Runner	



Assembly Instruction

Step 5

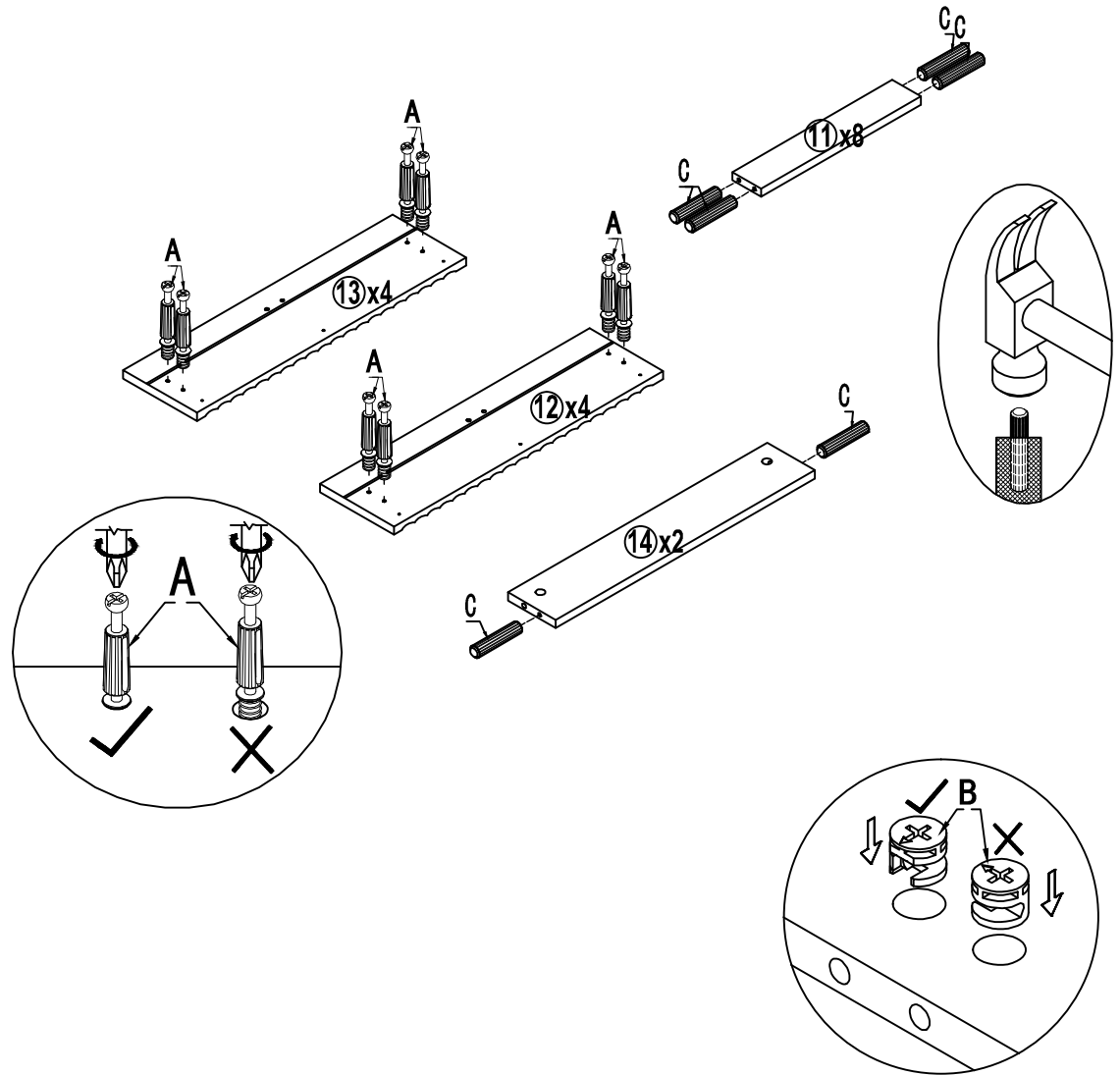
A=32

C=36



Peg

Dowel

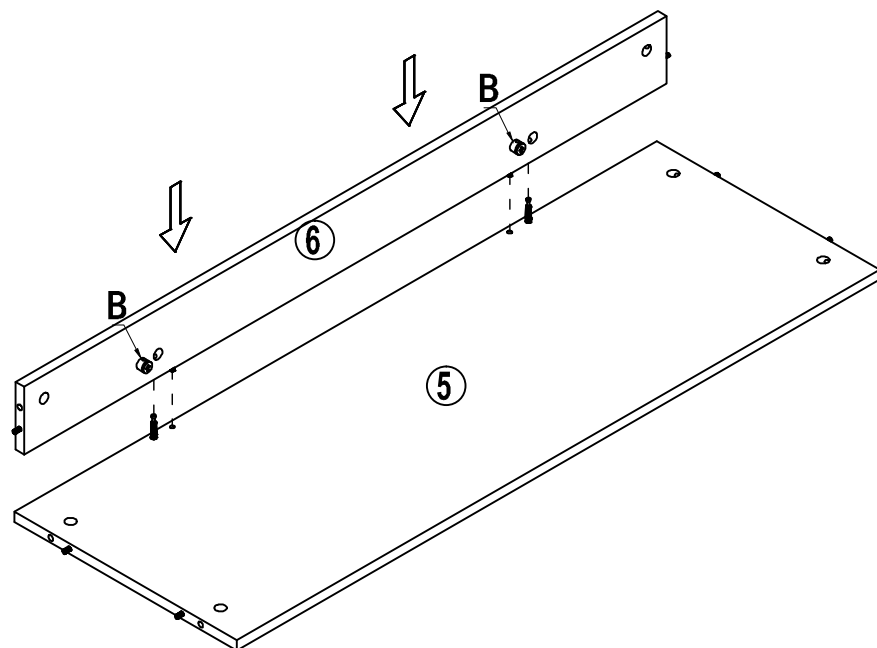


Step 6

B=2



Lock



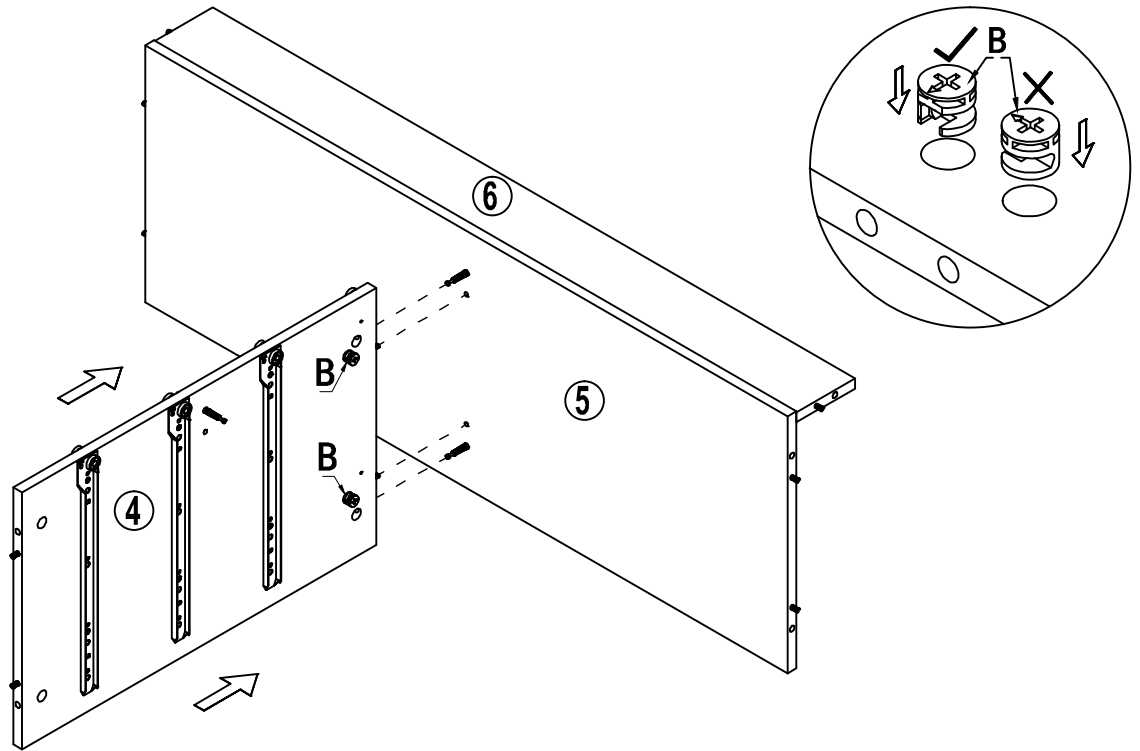
Assembly Instruction

Step 7

B=2



Lock



Step 8

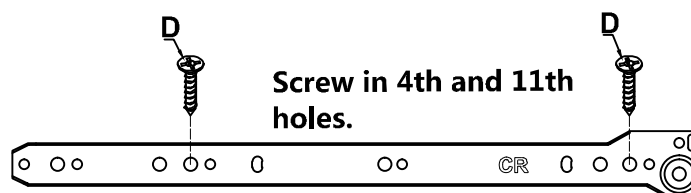
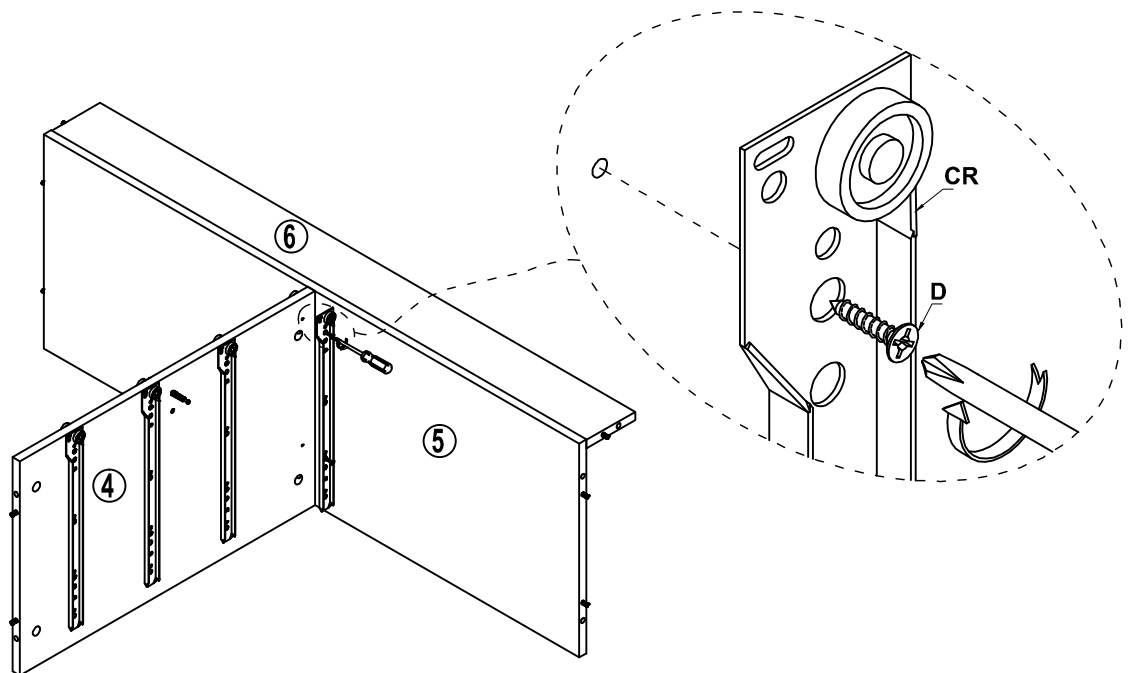
D=2

CR=1



Screw
M3.5*14mm

Runner



Screw in 4th and 11th
holes.

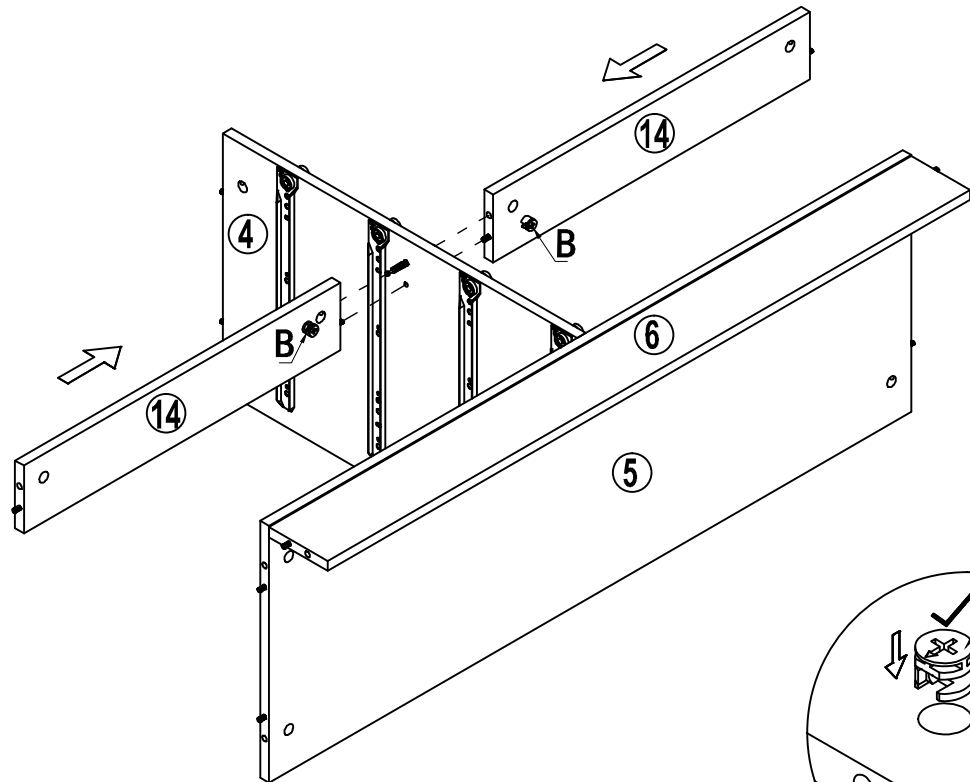
Assembly Instruction

Step 9

B=2



Lock

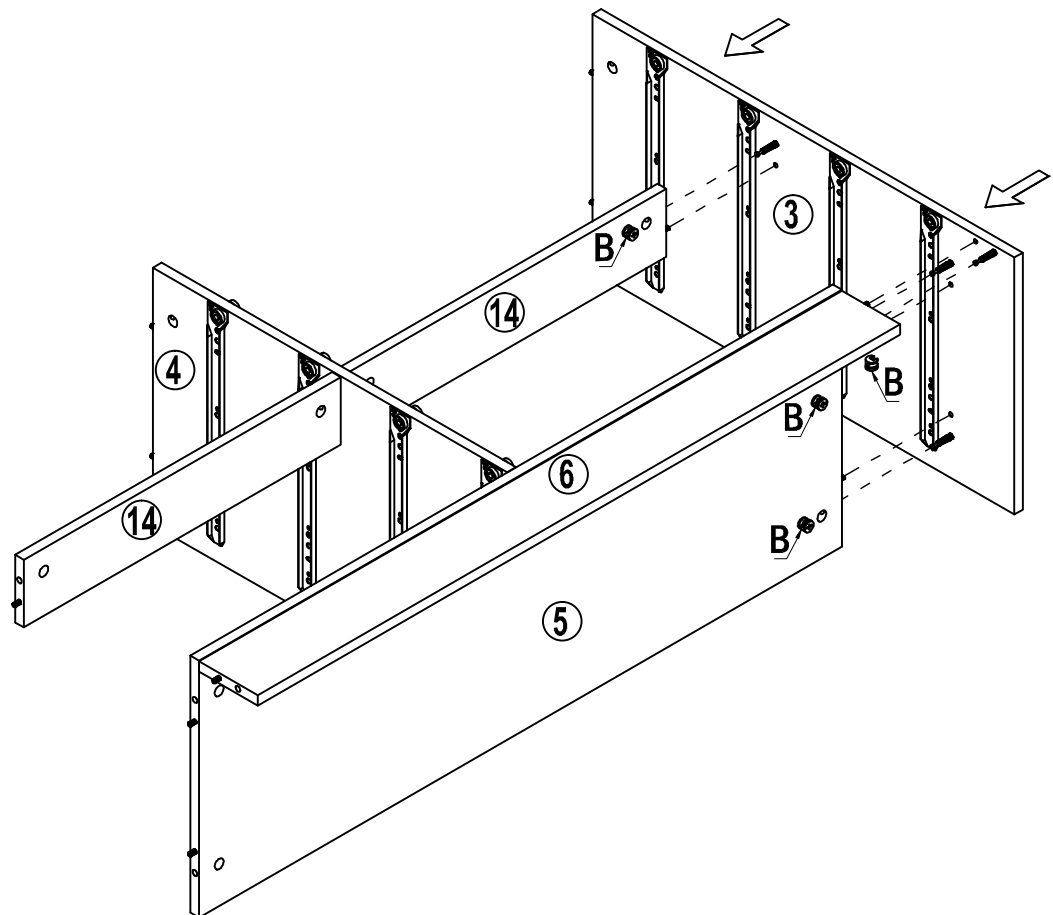


Step 10

B=4



Lock



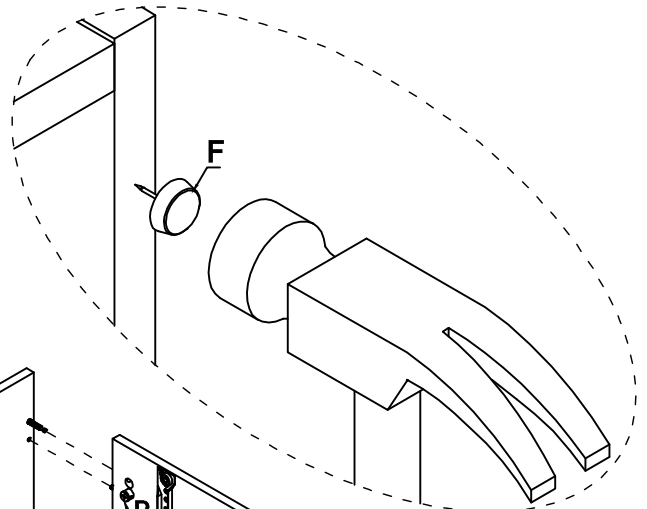
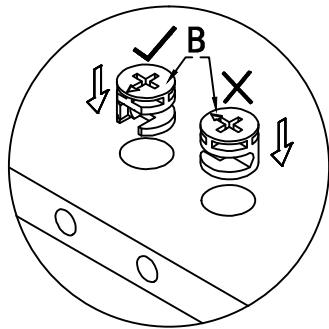
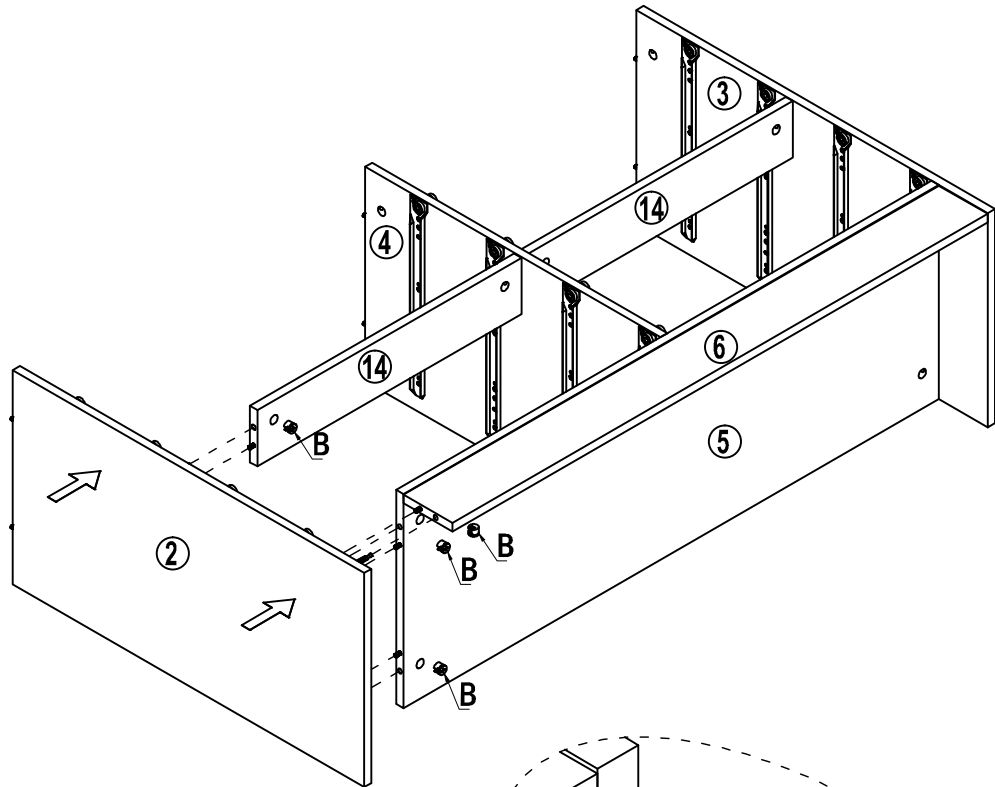
Assembly Instruction

Step 11

B=4



Lock



Step 12

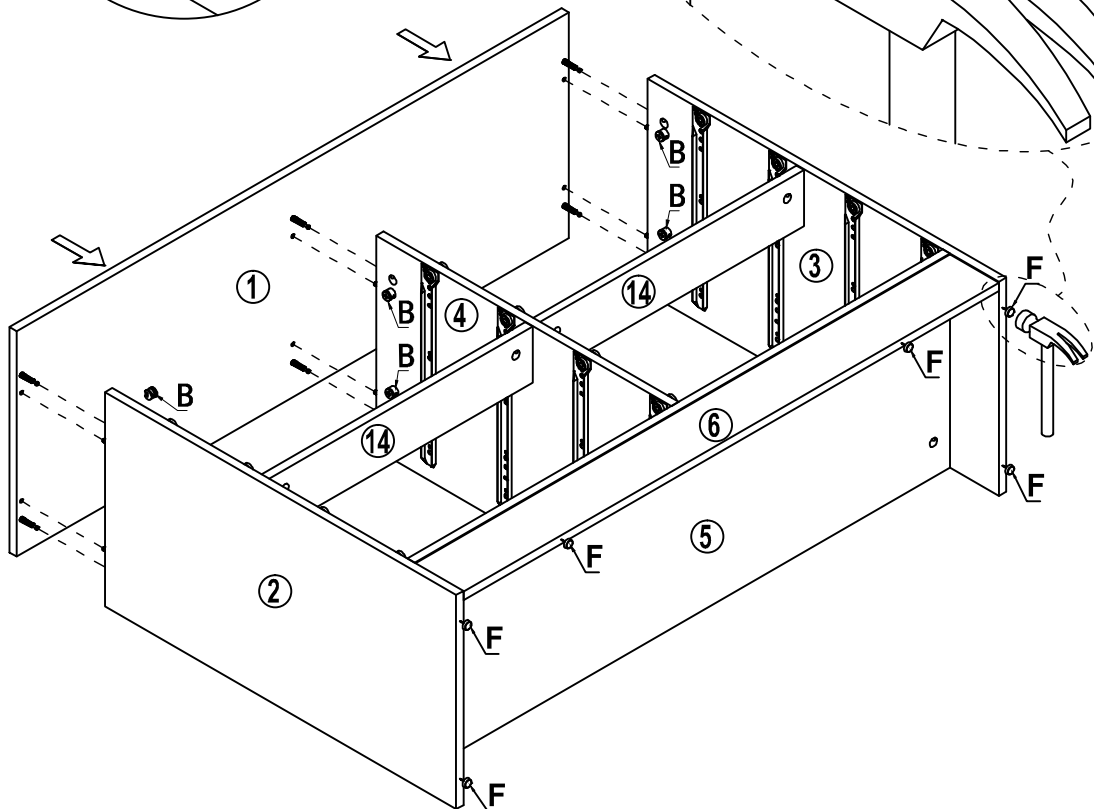
B=6

F=6



Plastic Feet

Lock



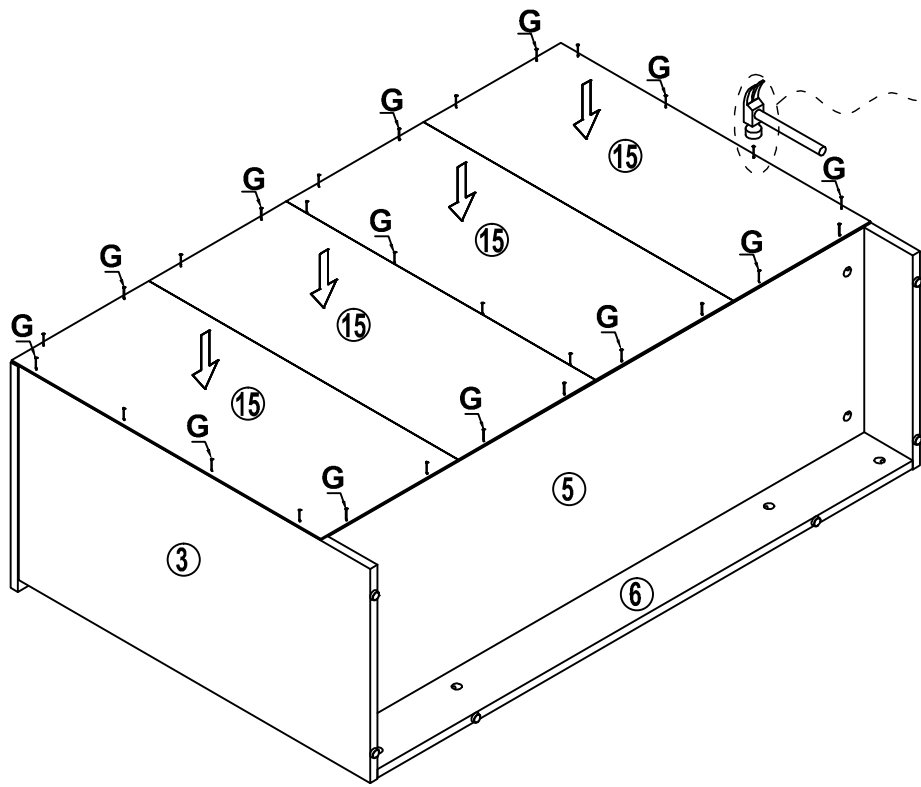
Assembly Instruction

Step 13

G=28



Pin

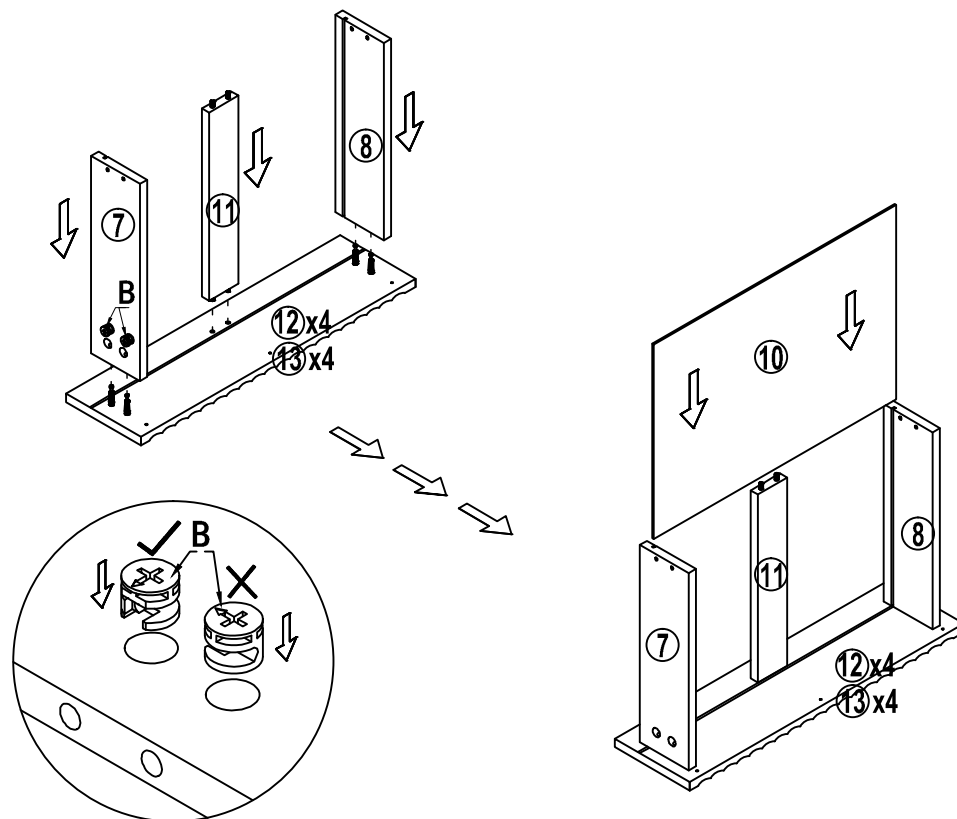


Step 14

B=32



Lock



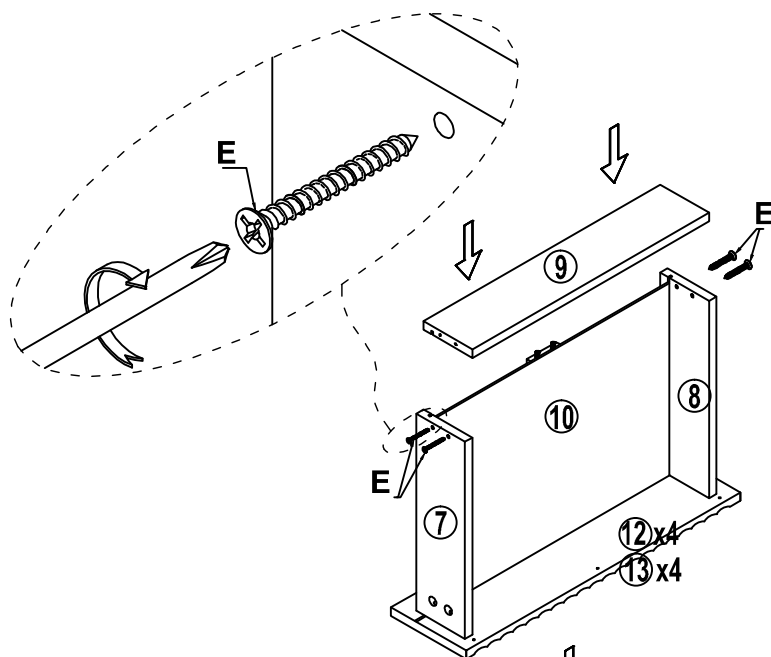
Assembly Instruction

Step 15

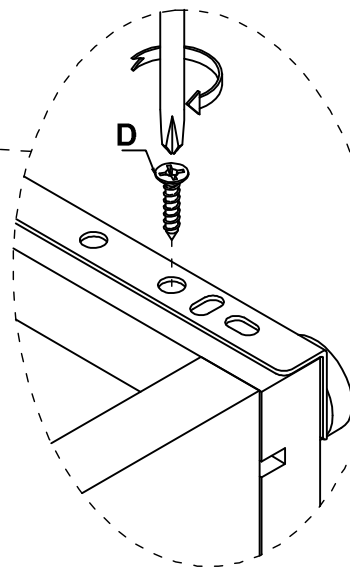
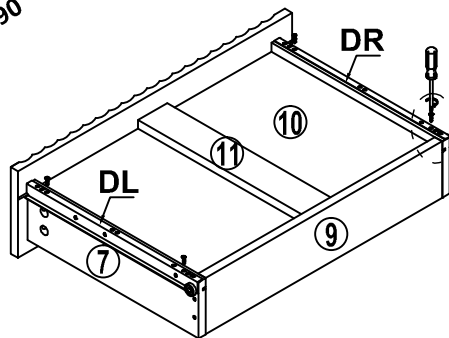
E=32



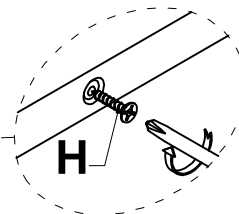
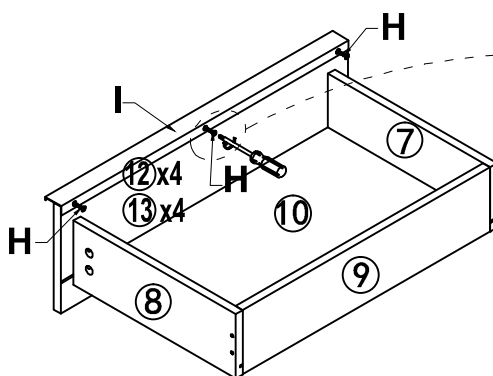
Screw
M4*38



Turn Over
90°



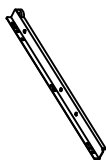
Turn Over
180°



Step 16

DR=8

DL=8



Runner

Runner

D=32

I=8



Screw
M3.5*14mm

Handle
L=560mm

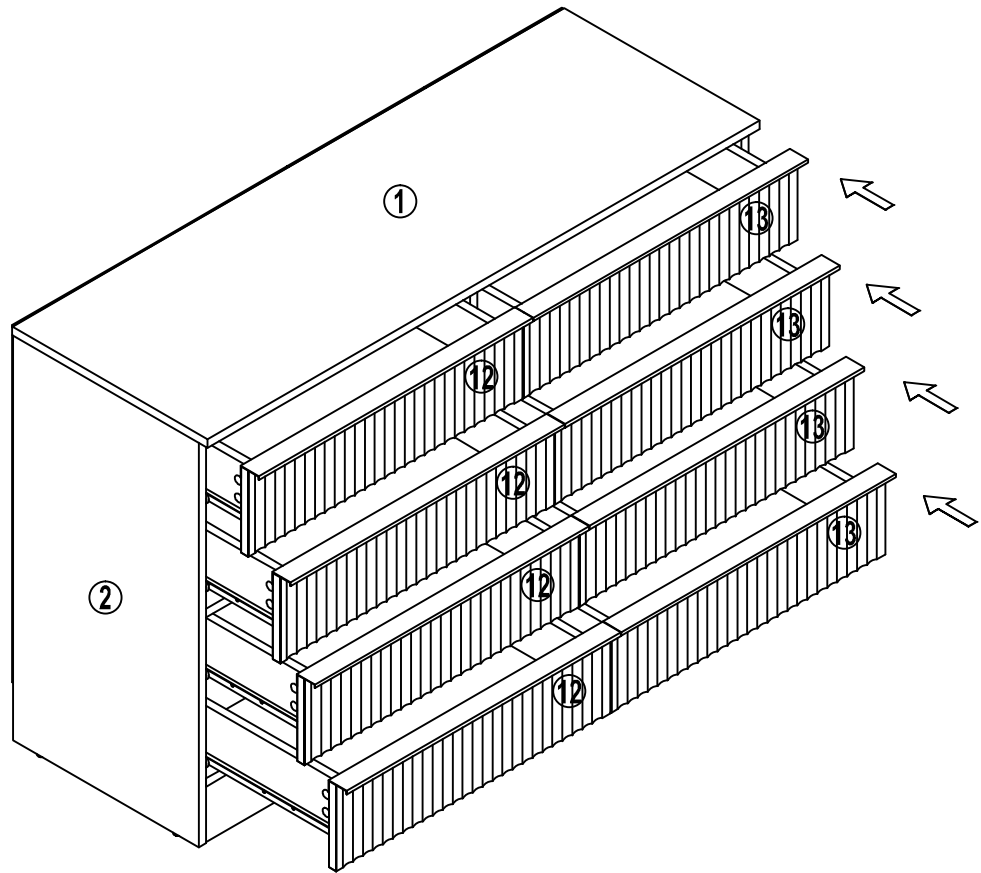
H=24



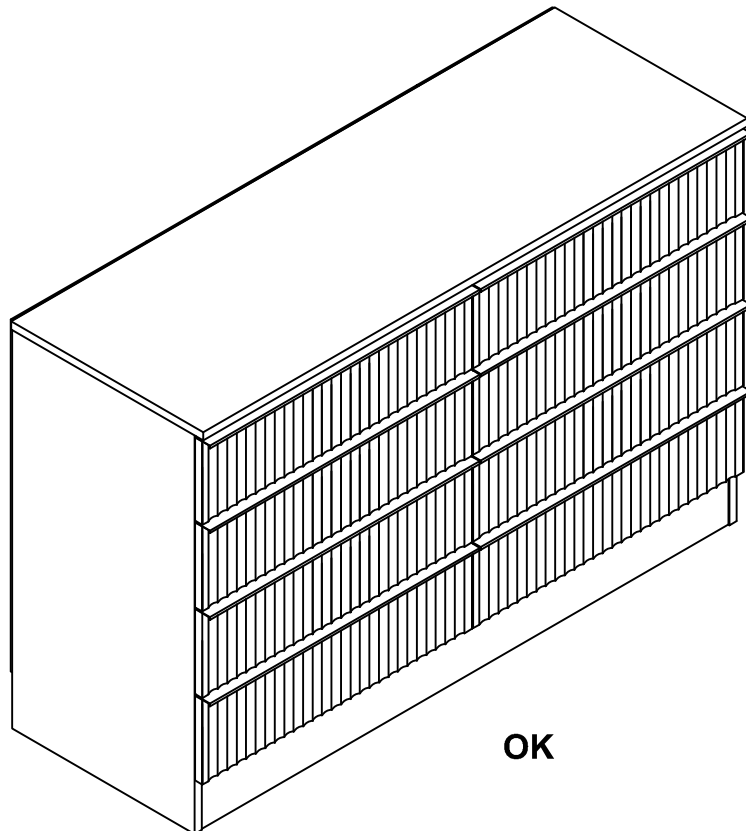
Screw
M3.5*12mm

Assembly Instruction

Step 17



Step 18



P=1

