

## NOTICE

- \* Please make sure that you have all parts indicated and they are in good condition before you begin assembly on this item. Refer to part list and hardware list below for guidance.
- \* This item should be assembled on a soft surface to prevent scratching the finish during assembly.
- \* This item may require periodic tightening.
- \* If you are having difficulty, our friendly Customer Care team is always here to help. Please email [customersupport@safavieh.com](mailto:customersupport@safavieh.com)


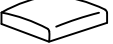
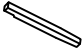







## PREPARATION

- \* Before beginning assembly of product, make sure all parts are present. Compare parts with part contents list and hardware contents list.
- \* If any part is missing or damaged, do not attempt to assemble the product.
- \* Estimated Assembly Time: 10 minutes.
- \* Tools Required for Assembly (included): Allen Key

## CARE AND MAINTENANCE

Adhesive felt pads should always be applied to areas of furniture which make direct contact with flooring, said application will prevent damage to the furniture and or surfaces on which the furniture lies. Object placed on articles of furniture should rest on non abrasive material as to prevent damage to the wood finish. Objects whose composition consists of plastic and rubber are known to discolor and damage the wood surfaces on which they rest. Wipe up spills immediately and avoid common hazards such as hot dishes, harsh solvents and abrasives. Cleaning should be done with a soft lint free cotton cloth dampened with water or furniture polish. On highly used surfaces we recommend applying a quality paste wax which should be used on a regular basis to provide additional protection from scratches and spills. How often you apply the wax depends on how much wear the furniture receives.

### Part List and Hardware List

PIECE	DESCRIPTION	PICTURE	
A	BACKREST		2x
B	SEAT		2x
C	LEG		4x
HW1	M6 X 40MM JCBC		4x
HW2	M6 X 50MM JCBC		8x
HW3	M6 X 80MM JCBC		8x
HW4	SPRING WASHER M6 X 12MM		20x
HW5	FLAT WASHER M6 X 19MM		20x
HW6	ALLEN KEY		1x
HW7	PVC NAIL		8x

HAMMER

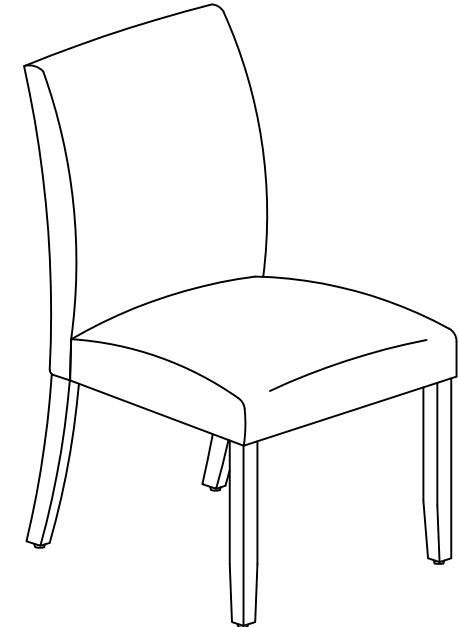


NOT  
INCLUDED

# SAFAVIEH FURNITURE

ITEM : DCH2700

DIMENSION : W17.3 x D22 x H36.4



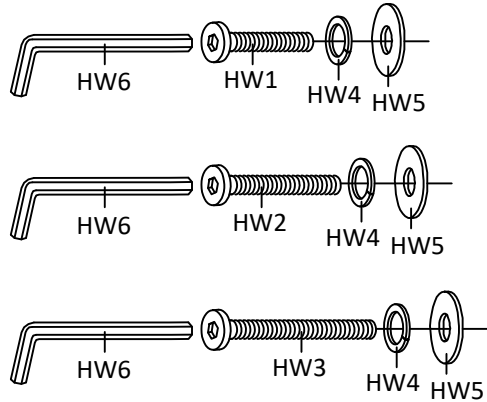
Weight Capacity- 275 LBS

Warning: Do not stand on Chair

Warning: Do not over torque Bolts

# PREPARATION

- \* Before beginning assembly of product, make sure all parts are present. Compare parts with contents list and hardware contents list.
- \* If any part is missing or damaged, do not attempt to assemble the product.
- \* Estimated Assembly Time: 10 minutes.
- \* Tools Required for Assembly (included): Allen Key
- \* If you are having difficulty, our friendly Customer Care team is always here to help. Please email [customersupport@safavieh.com](mailto:customersupport@safavieh.com)

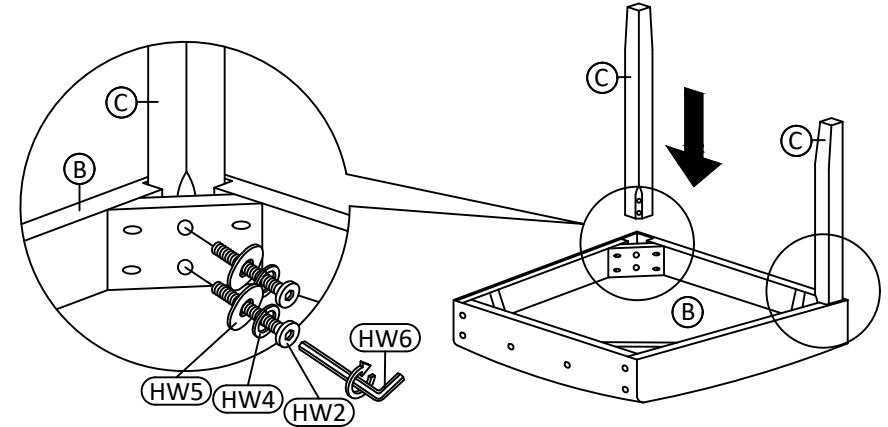


## STEP 1: Prepare Hardware

Before beginning assembly, prepare all bolts that will be used in the following steps.

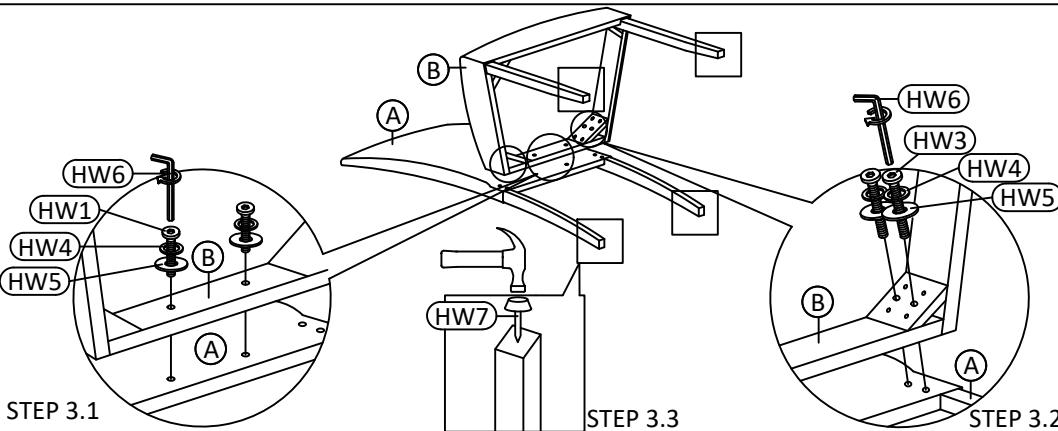
- Slide Spring Washer (**HW4**) onto the bolt.
- Then slide Flat Washer (**HW5**) onto the bolt.

Refer to the diagram for the correct order.



## STEP 2: Attach Legs

- Insert the legs (**C**) into the seat frame (**B**) as shown in the diagram.
- Secure each leg using **HW2** (M6 × 50mm) bolts with Spring Washer (**HW4**) and Flat Washer (**HW5**).
- Tighten bolts **loosely**—do not fully tighten yet.



## STEP 3: Attach the Seat and Backrest.

### 3.1 Center Hole:

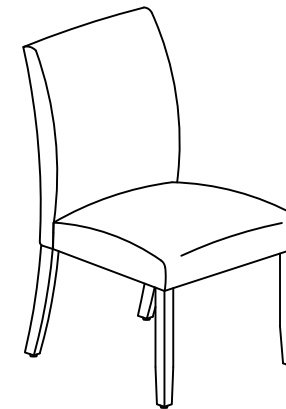
- Position the backrest (**A**) onto the seat frame (**B**) so that the holes align.
- Insert **HW1** (M6 × 40mm) bolts with Spring Washer (**HW4**) and Flat Washer (**HW5**) through the aligned holes.
- Tighten bolts **loosely**—do not fully tighten yet.

### 3.2 Corner Frame:

- Insert **HW3** (M6 × 80mm) bolts with **HW4** and **HW5** into the corner holes of the seat frame as shown.
- Tighten bolts **loosely**. Check the diagram to confirm correct placement.

### 3.3 PVC Nail:

- Insert (**HW7**) into the chair legs using a hammer (not provided).



## STEP 4: Final Adjustment and Tightening

- Place the chair upright on a flat surface. Ensure all legs are **level**.
- While the chair is stable, use the Allen Key (**HW6**) to fully tighten all bolts (**HW1**, **HW2**, and **HW3**) used in **STEP 2** and **3**.
- Double-check that everything is secure before use.