
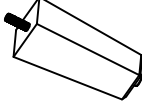
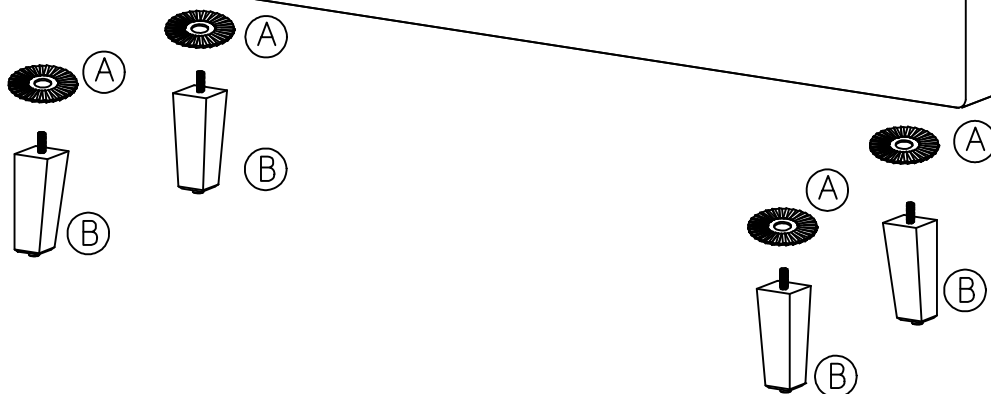
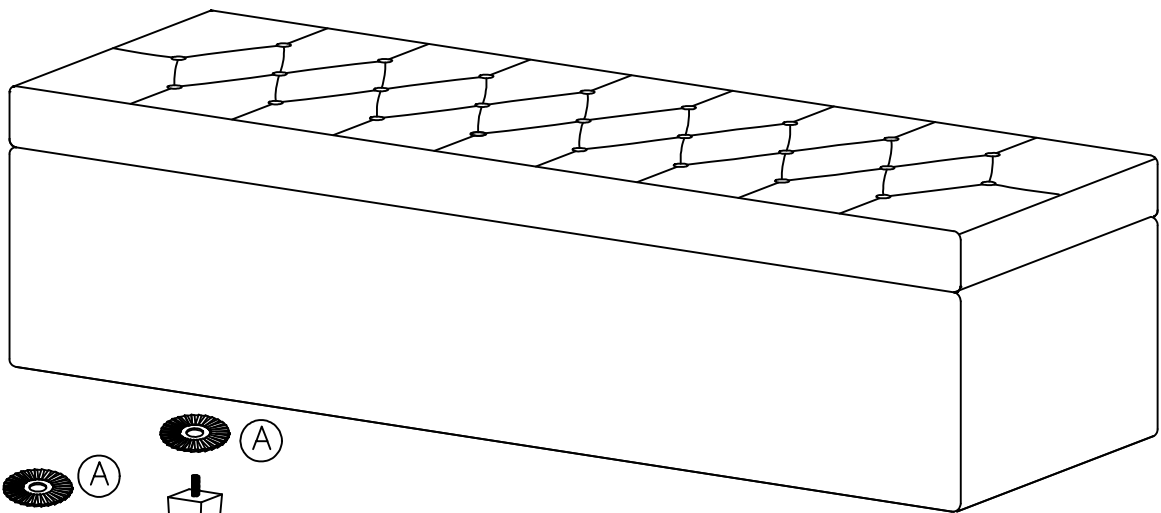
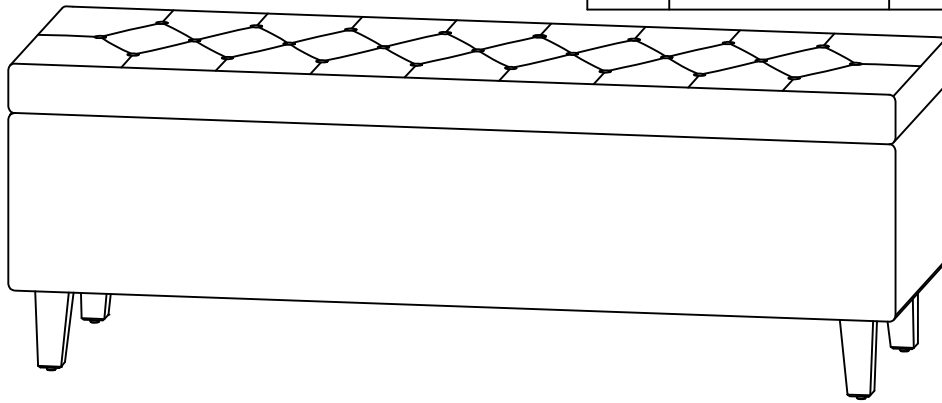
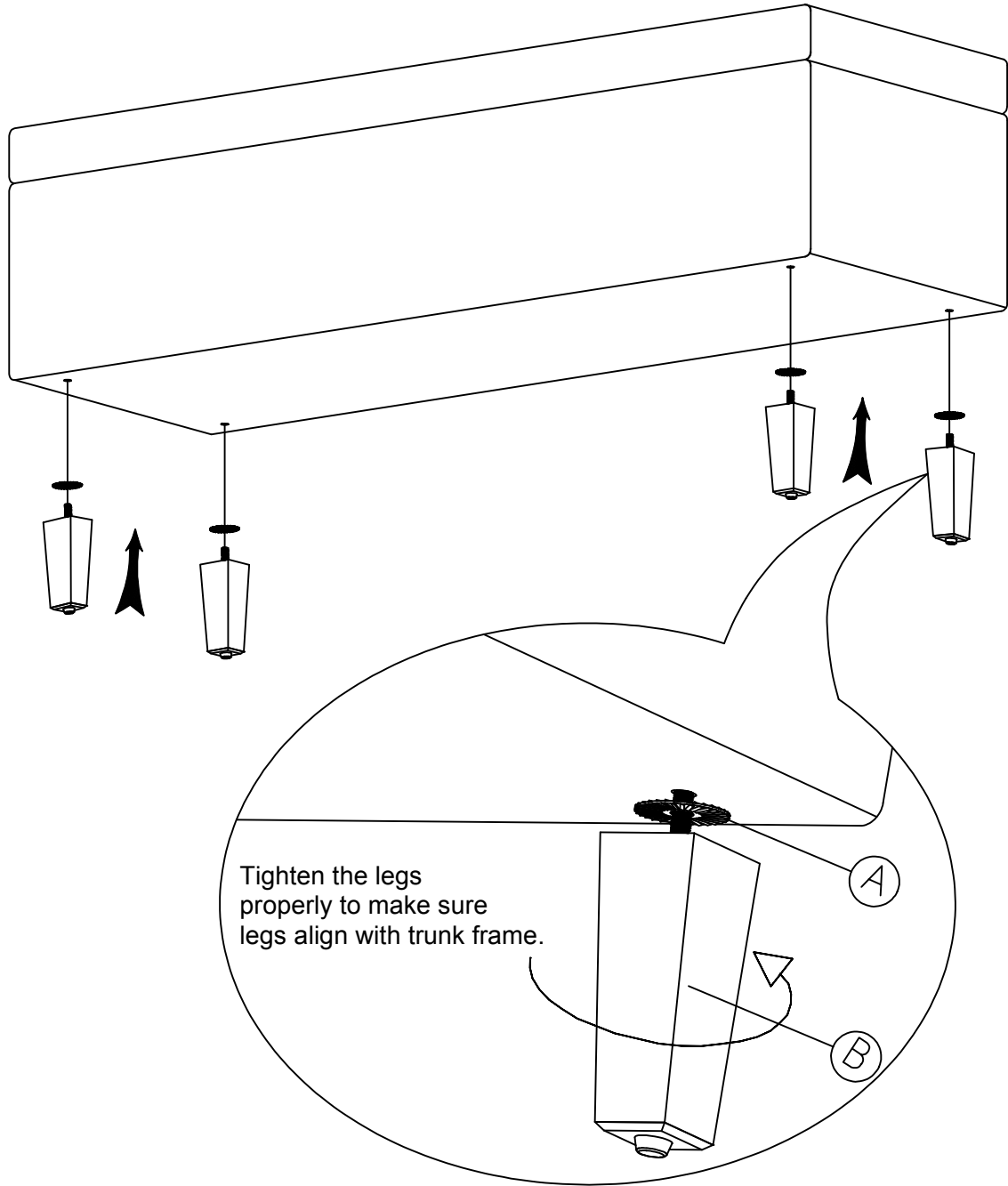


ASSEMBLY INSTRUCTION

TRUNK

HARDWARE LIST			
A		LOCK WASHER Ø40mm	4
B		LEGS	4





Tighten the legs properly to make sure legs align with trunk frame.

2

