

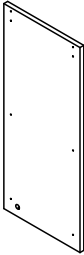
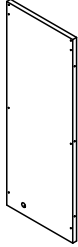








⚠ WARNING



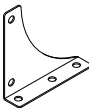
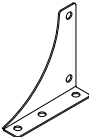
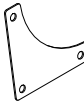






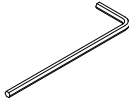
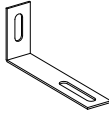




Children have died from furniture tipover.

- NEVER allow children to stand, climb or hang on drawers, doors, or shelves.
- ALWAYS secure your television with an anchor device or mount the television on a wall.




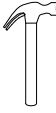



	BZA	BZD
<p>A</p> 	$\frac{699.5 \times 300}{27.5 \times 11.8}$ <p>x2</p>	$\frac{999.5 \times 300}{39.4 \times 11.8}$ <p>x2</p>
<p>B</p> 	$\frac{694.5 \times 260}{27.3 \times 10.2}$ <p>x4</p>	$\frac{994.5 \times 260}{39.1 \times 10.2}$ <p>x4</p>
<p>C</p> 	$\frac{679.5 \times 15}{26.8 \times 0.6}$ <p>x8</p>	$\frac{979.5 \times 15}{39.4 \times 0.6}$ <p>x8</p>


<p>D</p> 	$\frac{672 \times 15}{26.5 \times 0.6}$ <p>x4</p>	$\frac{972 \times 15}{38.3 \times 0.6}$ <p>x4</p>
<p>E</p> 	<p>x4</p>	<p>x4</p>
<p>F</p> 	<p>x2</p>	<p>x2</p>
<p>G</p> 	<p>x4</p>	<p>x4</p>

H		x4	x4
I		x2	x2
J		x4	x4
K		x4	x4
L		x8	x8
M		x4	x4

N		x52	x52
O		x6	x6
P		x56	x56
Q		x1	x1
R		x2	x2
S		x2	x2
T		x4	x4
U		x6	x6


<p>V</p> 	<p>x6</p>	<p>x6</p>
<p>W</p> 	<p>x6</p>	<p>x6</p>
<p>X</p> 	<p>x1</p>	<p>x1</p>

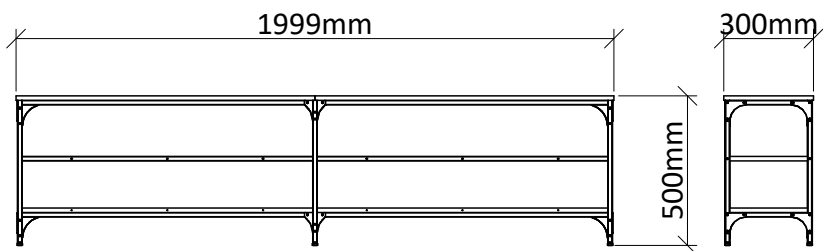
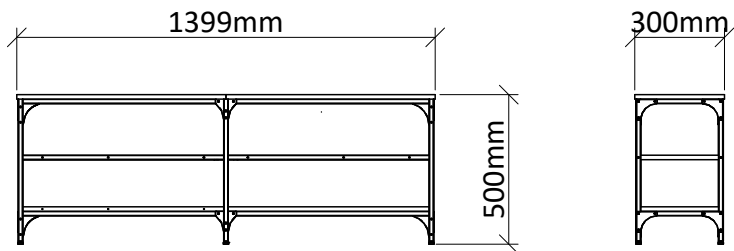










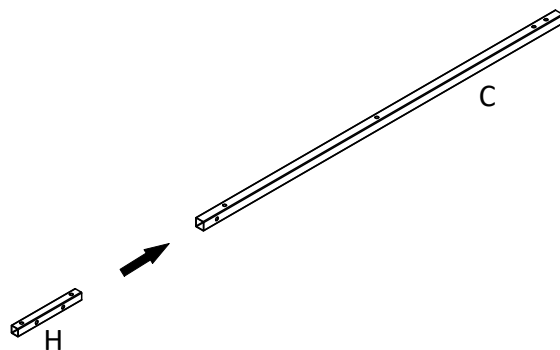
mm
inch

x2

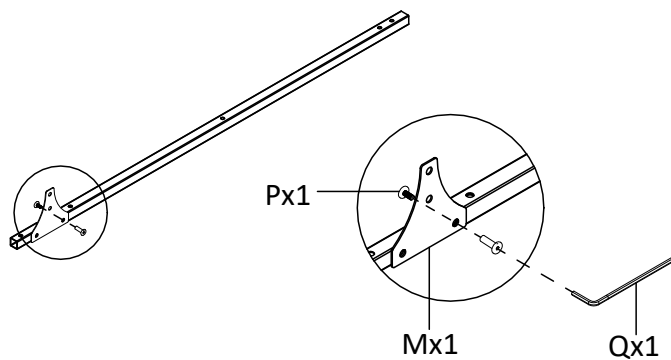
€ \$ £ 



① x4

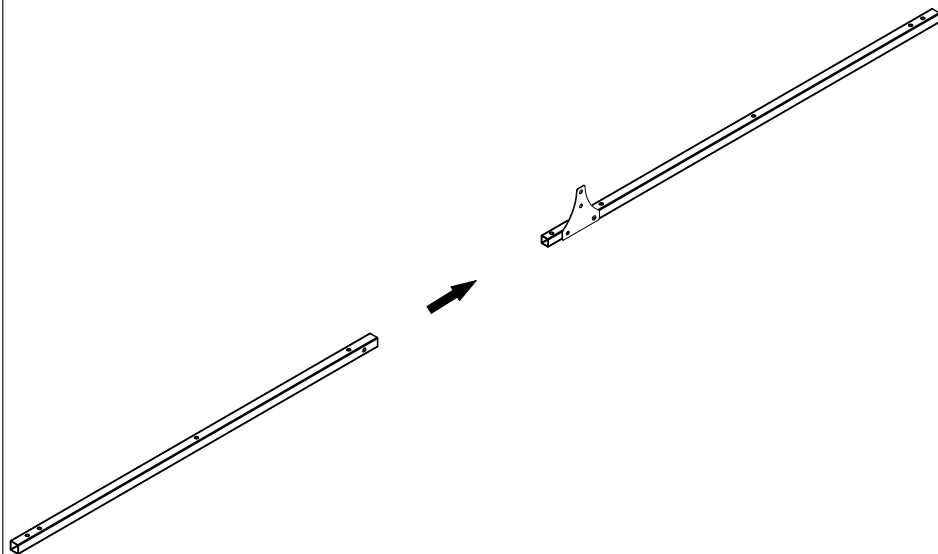


② x4

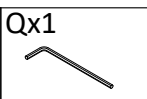
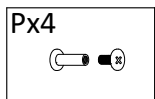
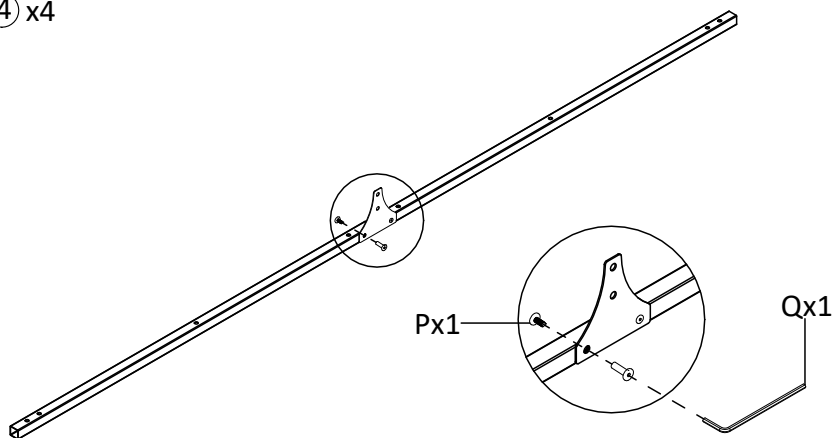


<p>Px4</p>	<p>Mx4</p>	<p>Qx1</p>
------------	------------	------------

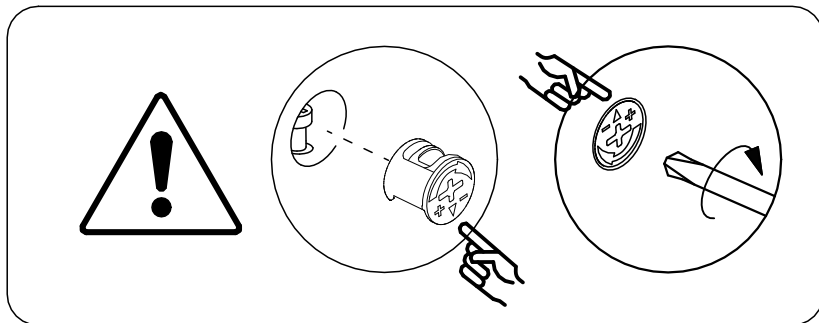
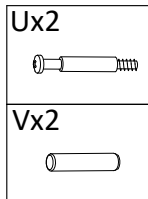
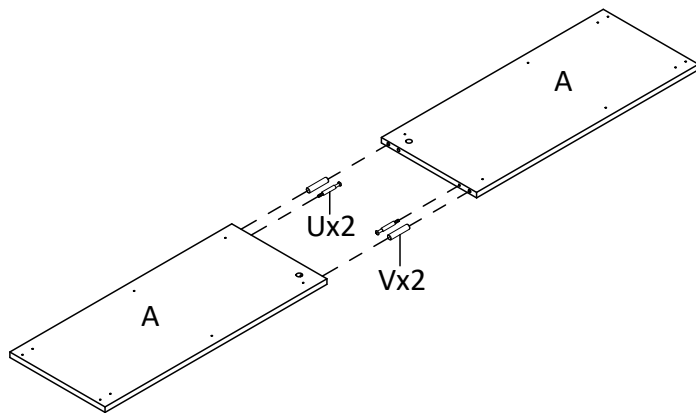
③ x4



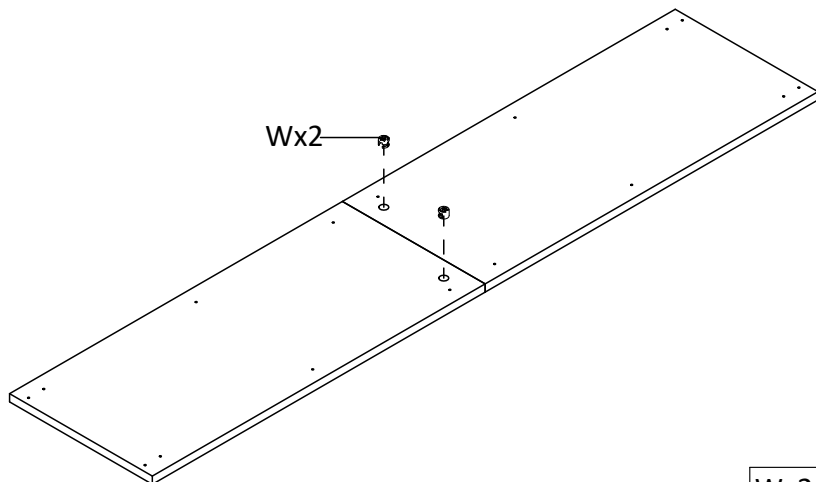
④ x4



5



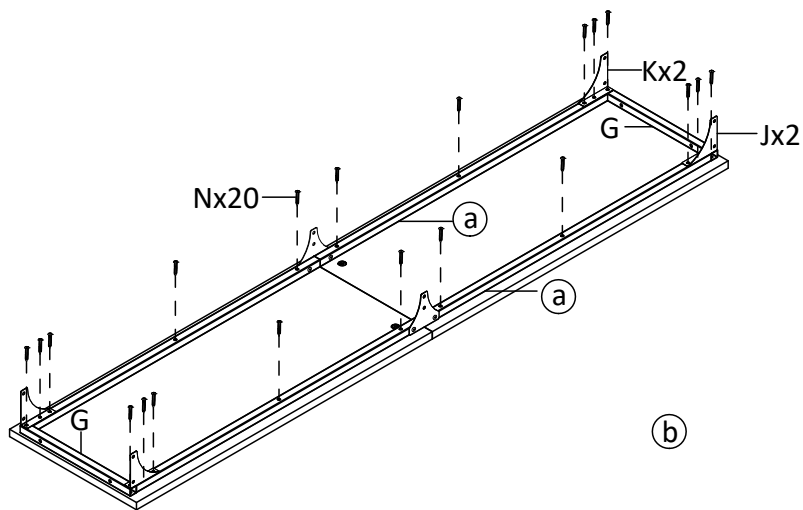
6



Wx2



7



Jx2



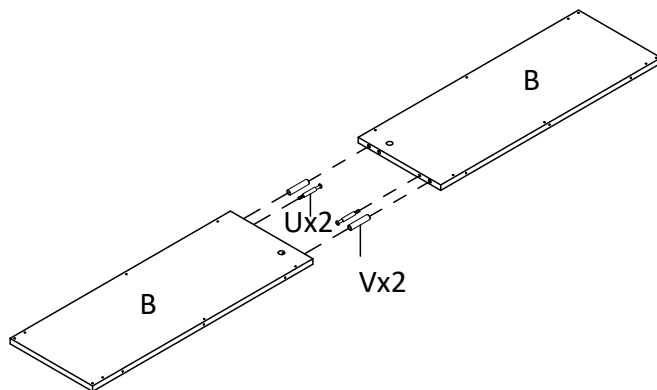
Kx2



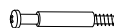
Nx20



8 x2



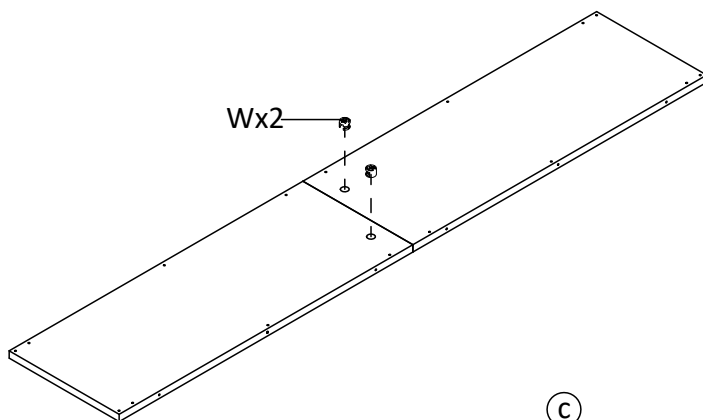
Ux4



Vx4



9 x2

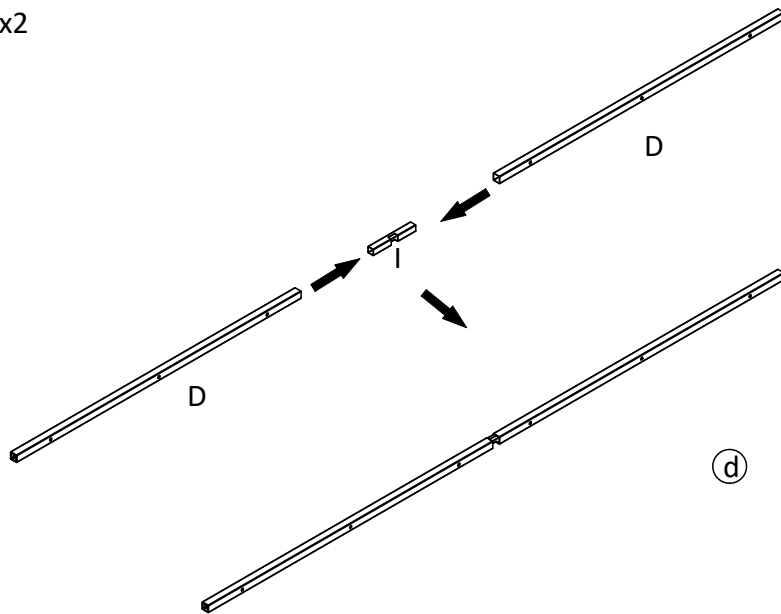


C

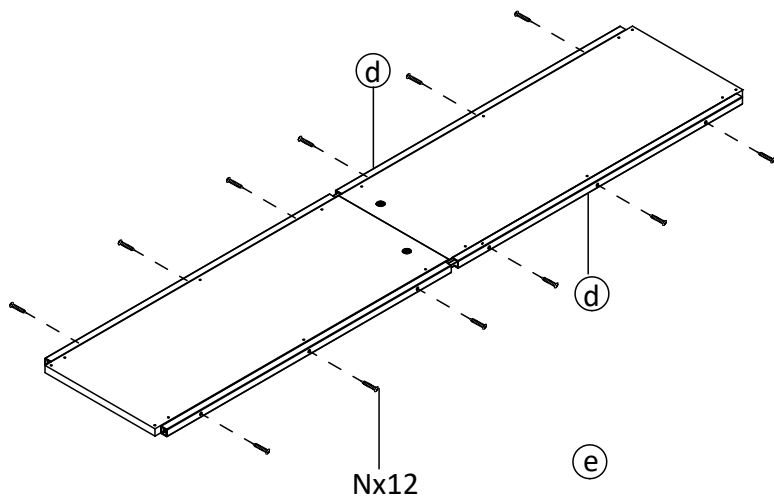
Wx4



10 x2



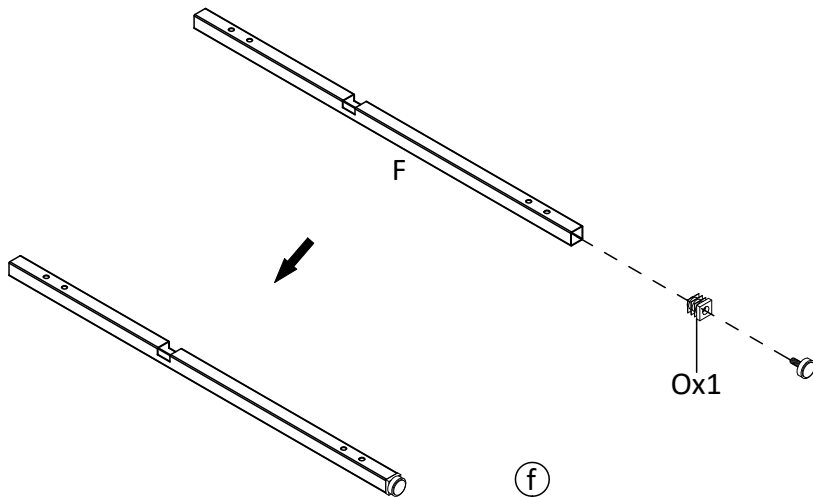
11



Nx12



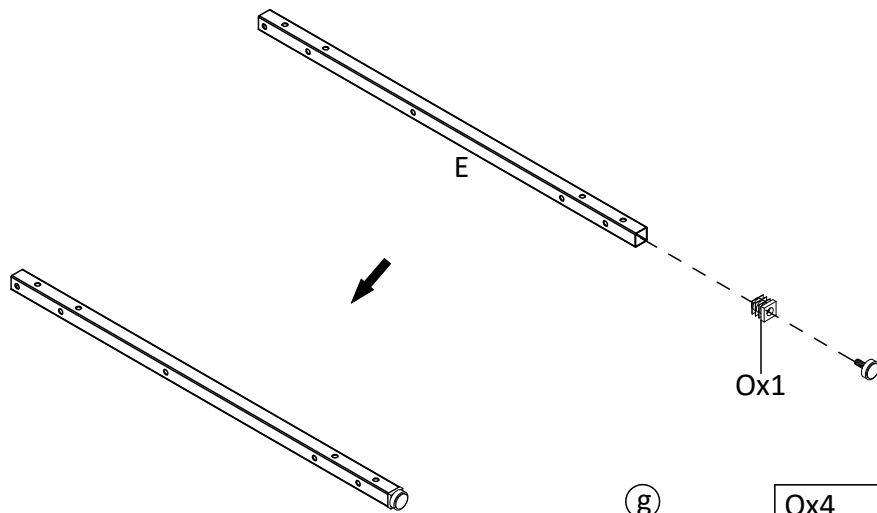
12 x2



Ox2



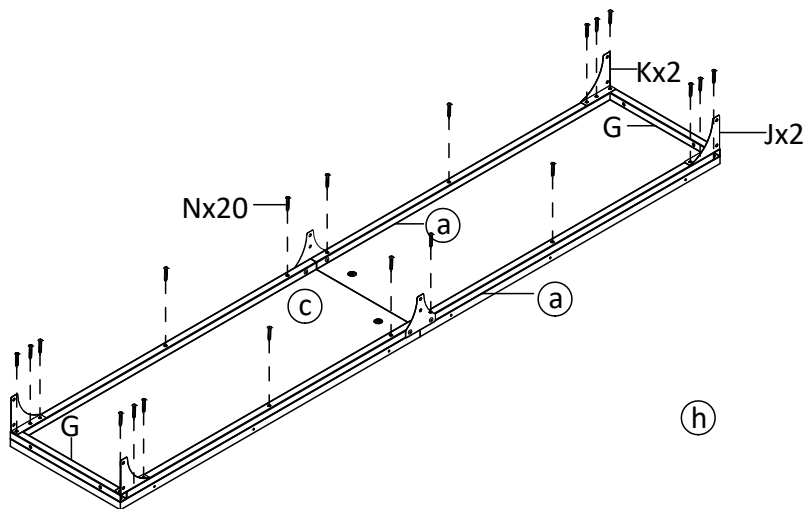
13 x4


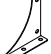
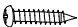


Ox4

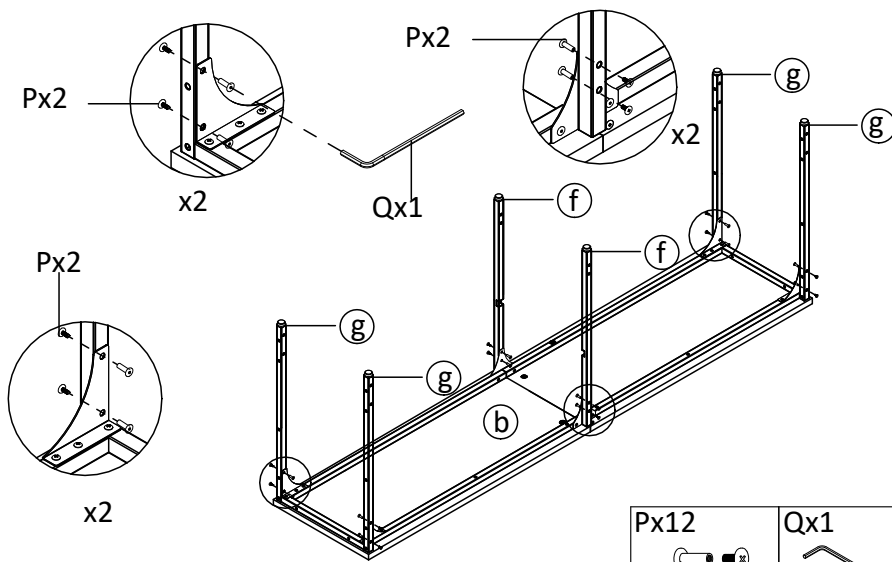


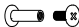

14



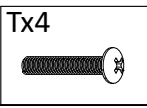
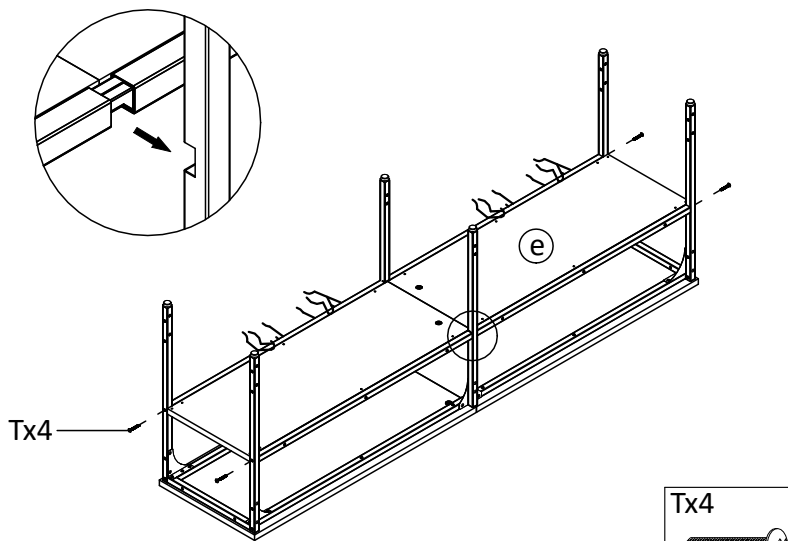
Jx2 	Kx2 	Nx20 
--	--	--

15

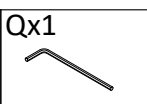
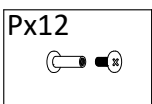
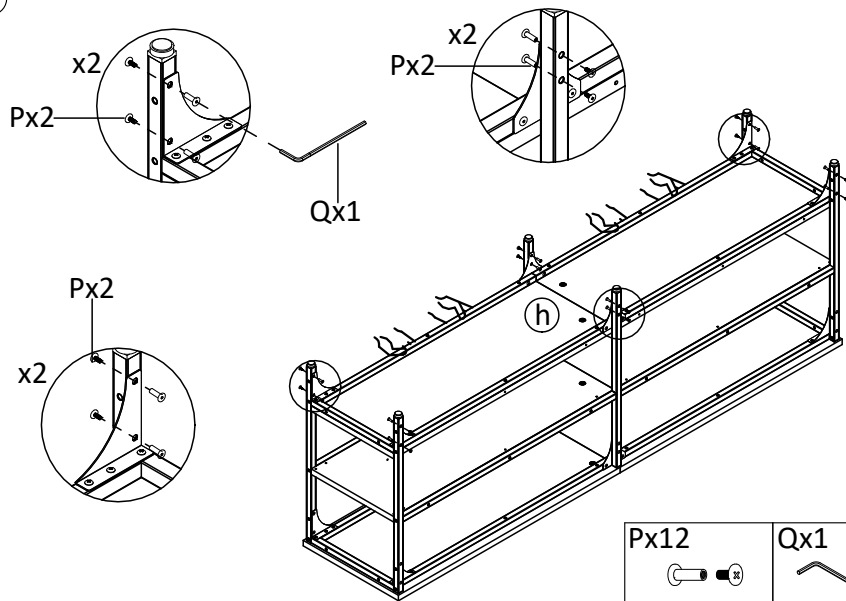


Px12 	Qx1 
---	---

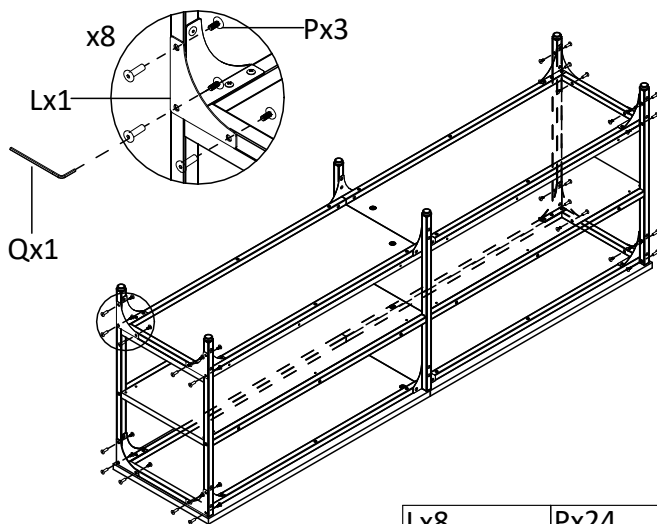
16



17



18



Lx8



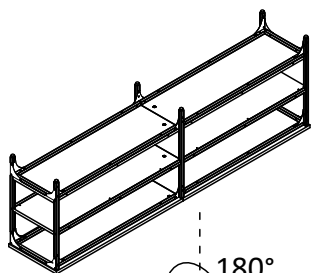
Px24



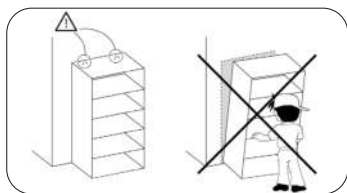
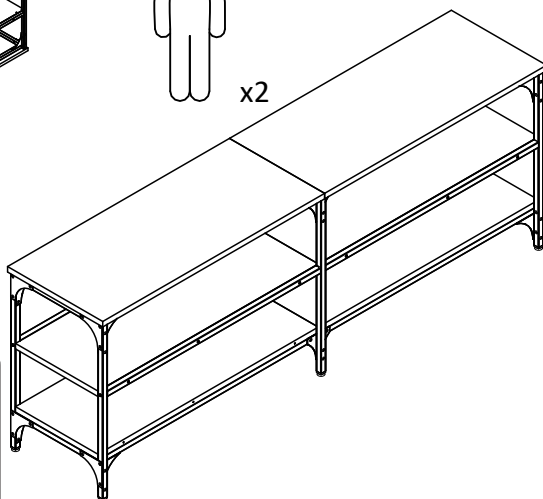
Qx1



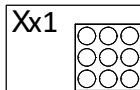
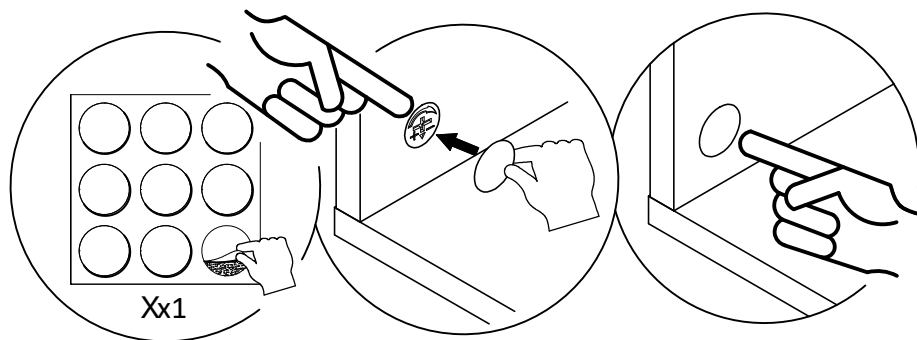
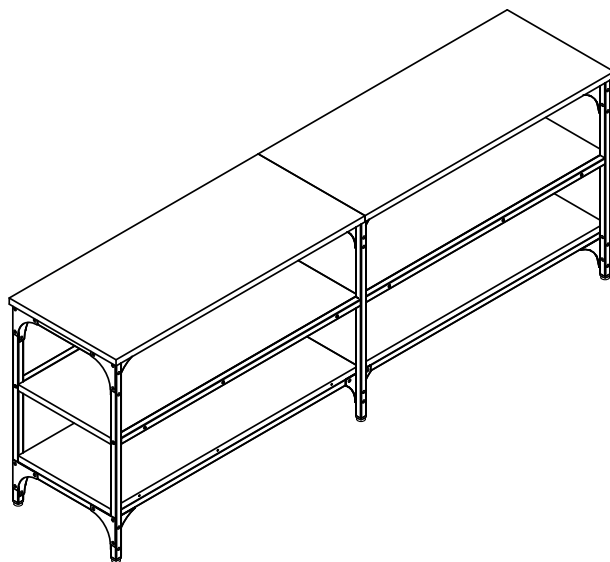
19



x2



20

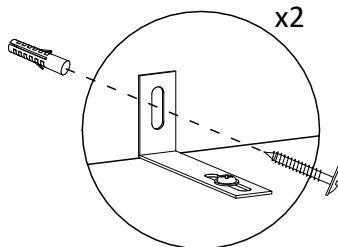
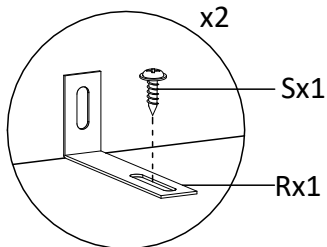
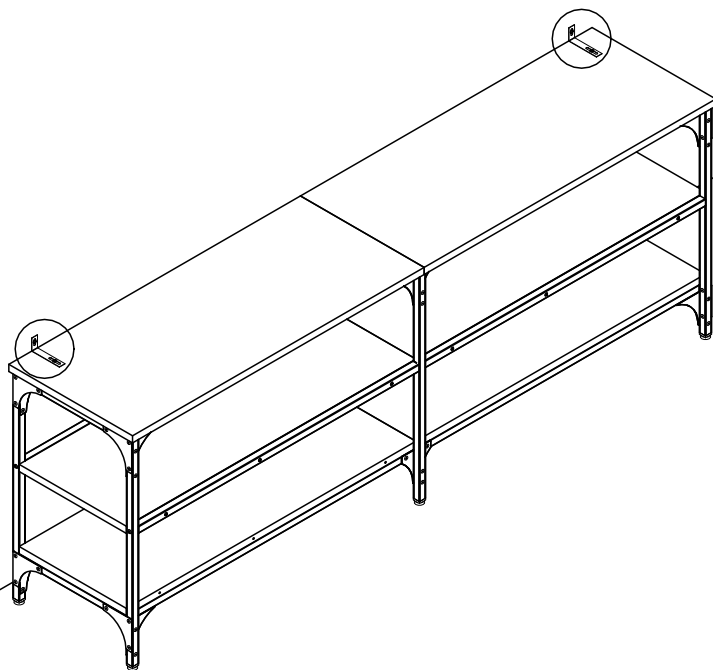


21

Sx2



Rx2



22

