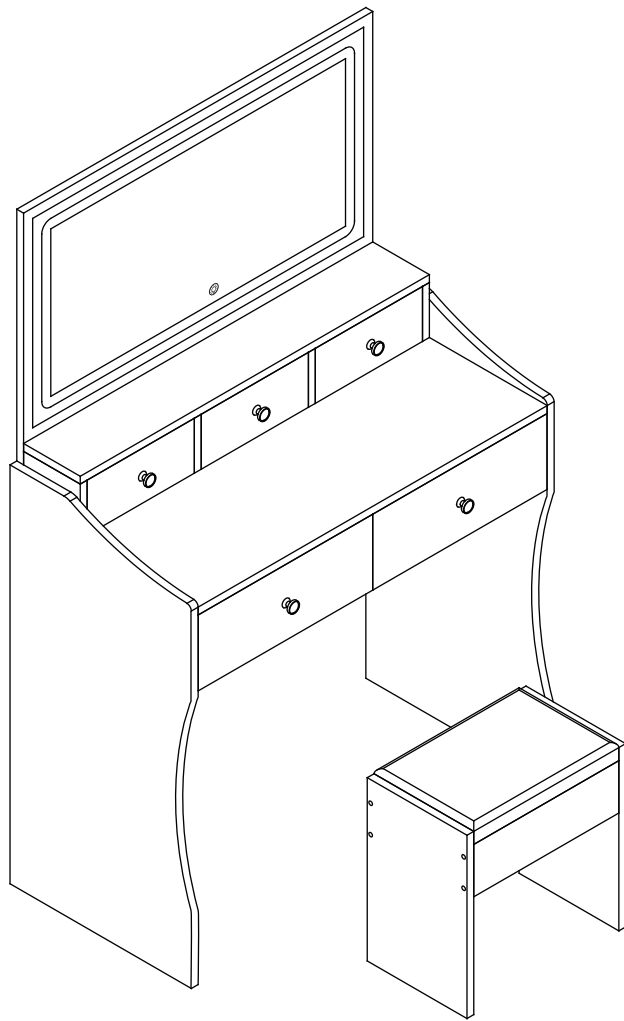


# **Assembly Instructions**

**READ THIS MANUAL**

Do not use this product until you read and understand the instructions in this manual.

**KEEP THIS MANUAL FOR FUTURE REFERENCE.**



# SAFETY INFORMATION

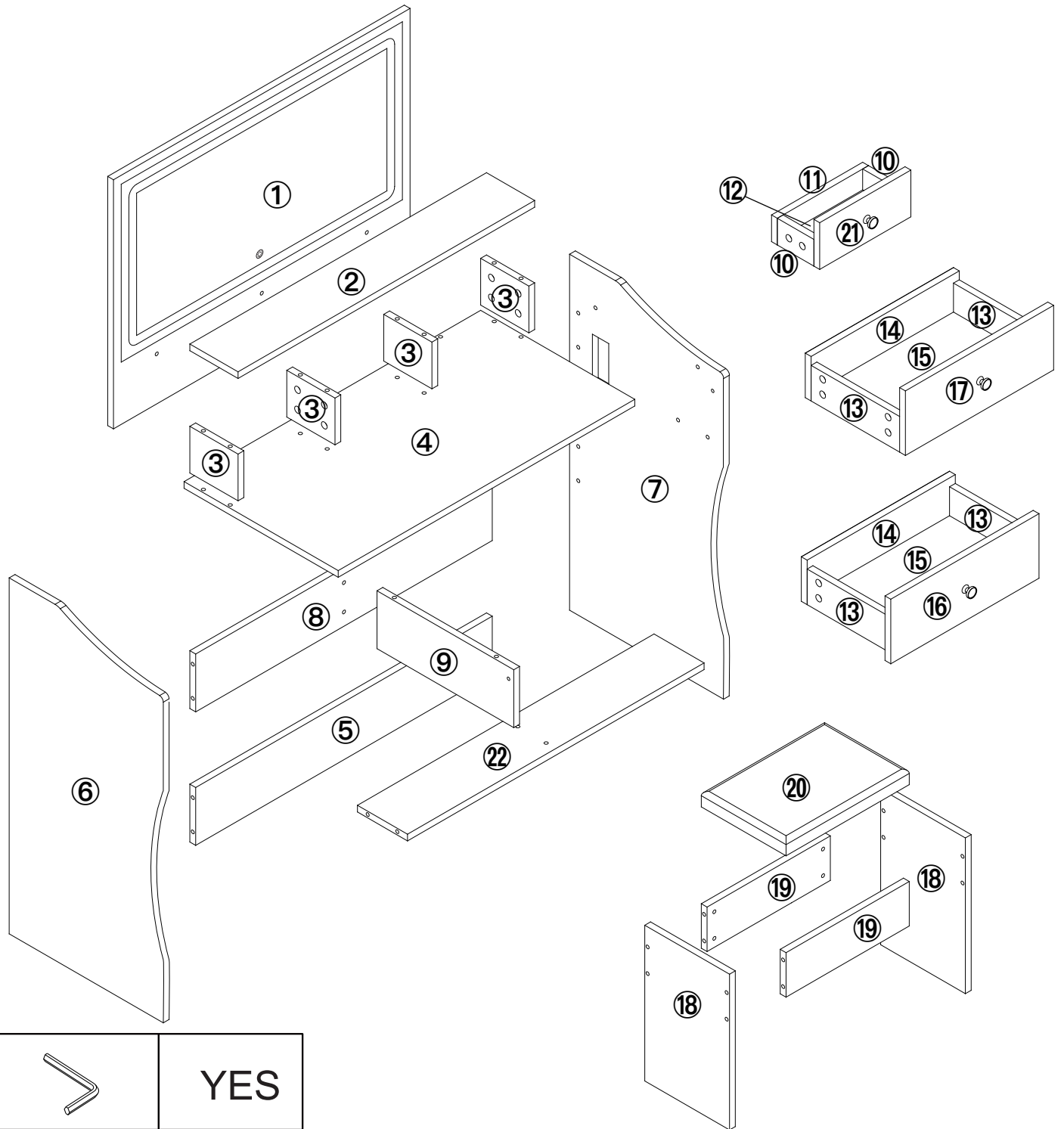
## **CAUTION** Read all instructions and using this item. – Save these instructions

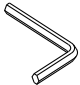

To ensure your and others' safety, please read and follow the instructions in this user manual carefully and thoroughly before and during use.

1. Close supervision is necessary when this furnishing is used by, or near children, invalids, or disabled persons.
2. Use this furnishing only for its intended use as described in these instructions. Do not use attachments not recommended by the manufacturer.
3. Installation and assembly must be performed by an adult.
4. Ensure that the floor is able to with stand the weight of the console when fully loaded.
5. To reduce risk of personal injury and product damage, always ensure a sufficient amount of personnel are present when unpacking, moving and assembling the desk system.
6. Do not leave children alone to climb or play in or around this product all the time.
7. Use this product for its intended purpose only. Do not use it as a step ladder.
8. To avoid damage, assemble the product on a sturdy, level and protective surface.
9. Two or more persons work together to install this product if needed.
10. Make sure all screws are tightly fastened before the product is used.
11. Check screws periodically and tighten them if necessary.

# Main accessories installation position

◆ Please check all parts and accessories. If there are any problems such as defects or missing parts

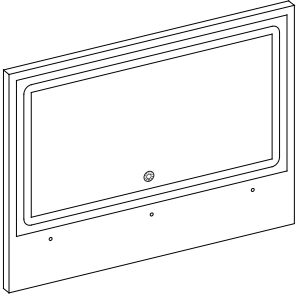


	YES
	NO

# 01 Check Various Accessories Details of accessories

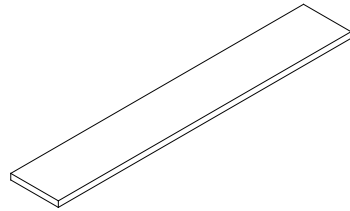
Please check and ensure all the things are in the package.  
Please contact us for help if something is not included.

## 1. Vanity Desk Parts



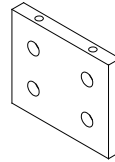
①x1

Mirror Board



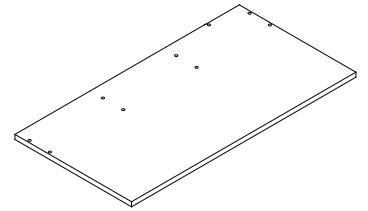
②x1

Shelf Board



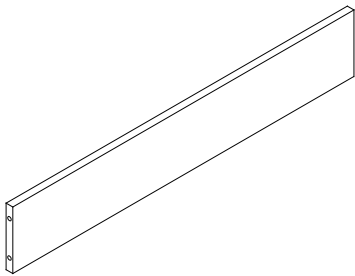
③x4

Drawer Divider Panel



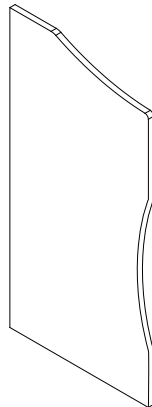
④x1

Shelf Board



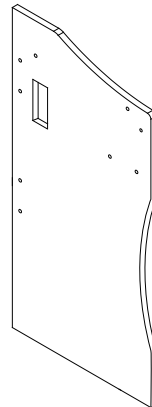
⑤x1

Side Panel



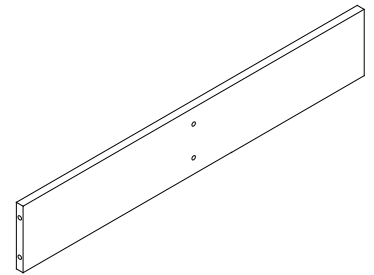
⑥x1

Side Panel (Left)



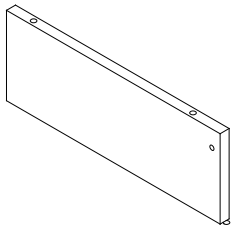
⑦x1

Side Panel (Right)



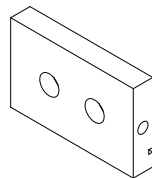
⑧x1

Side Panel



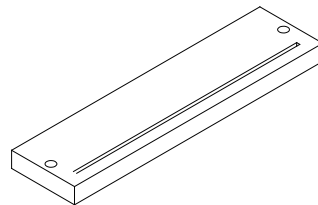
⑨x1

Drawer Divider Panel



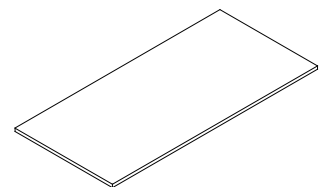
⑩x6

Drawer Side Panel



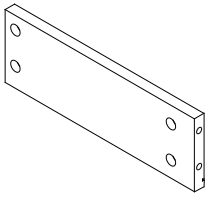
⑪x3

Drawer Back Panel



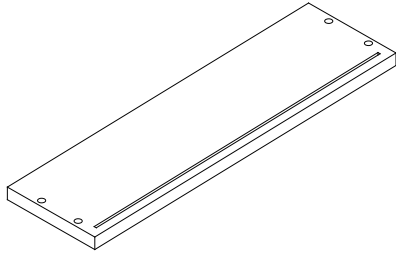
⑫x3

Drawer Bottom Board



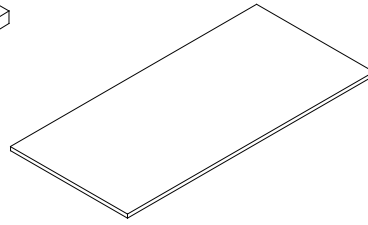
⑬x4

Drawer Side Panel



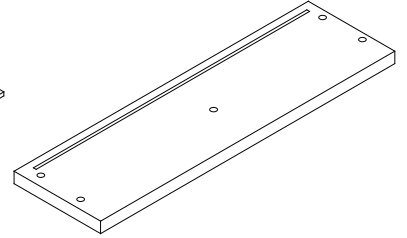
⑭x2

Drawer Back Panel



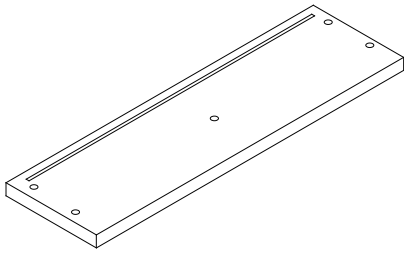
⑮x2

Drawer Bottom Board



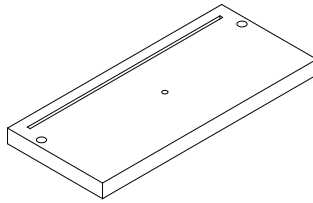
⑯x1

Drawer Front Panel



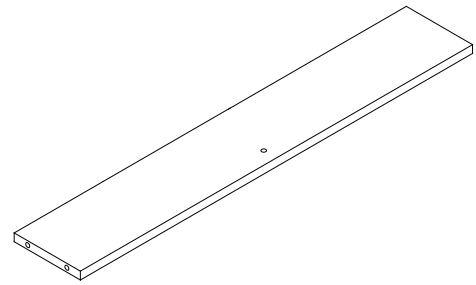
⑰x1

Drawer Front Panel



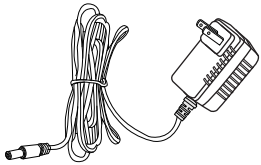
⑰x3

Drawer Front Panel



⑳x1

Shelf Board



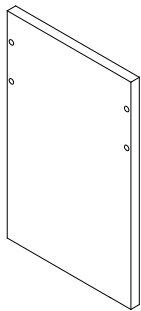
㉓x1

Power Cord

Parts	Name	QTY
	Ⓐ Cam Bolt (Long)	65PCS
	Ⓑ Cam Lock	65PCS
	Ⓒ Screw	2PCS
	Ⓓ Handle	5PCS
	Ⓔ Screw	5PCS
	Ⓕ Socket	1PC

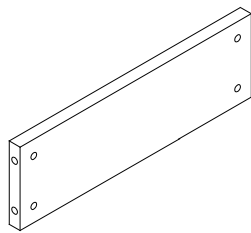
Parts	Name	QTY
	Ⓒ Cam Bolt (Short)	4PCS
	Ⓙ Screw	7PCS
	Ⓚ Cam Lock	7PCS
	Ⓛ Screwdriver	1PC

## 2.Vanity Stool Parts



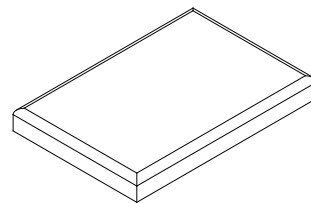
⑱x2

Side Panel



⑲x2

Side Panel



⑳x1

Seat

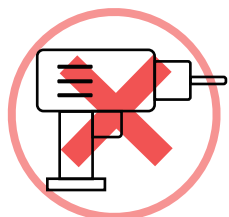
Parts	Name	QTY
	Ⓒ Screw	8PCS
	Ⓙ Screw	8PCS

Parts	Name	QTY
	Ⓚ Cam Lock	8PCS
	Ⓜ Hinge	2PCS

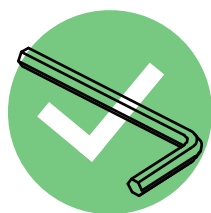
## 3.Spare Parts

Parts	Name	QTY
	Ⓐ Cam Bolt (Long)	1PC
	Ⓑ Cam Lock	1PC
	Ⓒ Screw	1PC
	Ⓔ Screw	1PC

Parts	Name	QTY
	Ⓓ Cam Bolt (Short)	1PC
	Ⓙ Screw	1PC
	Ⓚ Cam Lock	1PC



**DON'T USE  
ELECTRIC DRILL.**



**PLEASE MAKE SURE  
TO USE A WRENCH.**

### **⚠ CAUTION**

**When installing the desktop or boards,** different manufacturers' electric drills have varying speeds, which may pose a risk of injury. Therefore, we recommend using a wrench for attachment.

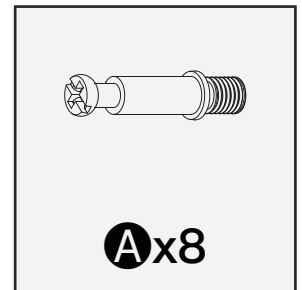
# 02 Installation

Please keep the original box in case you might need to return or replace the product.

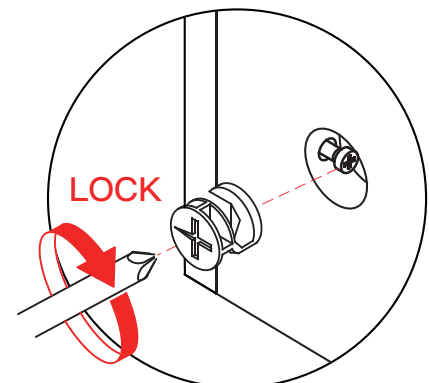
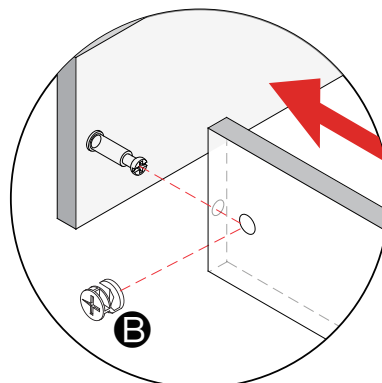
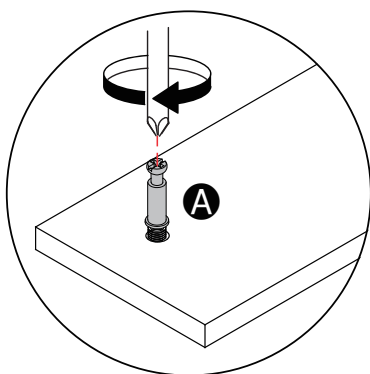
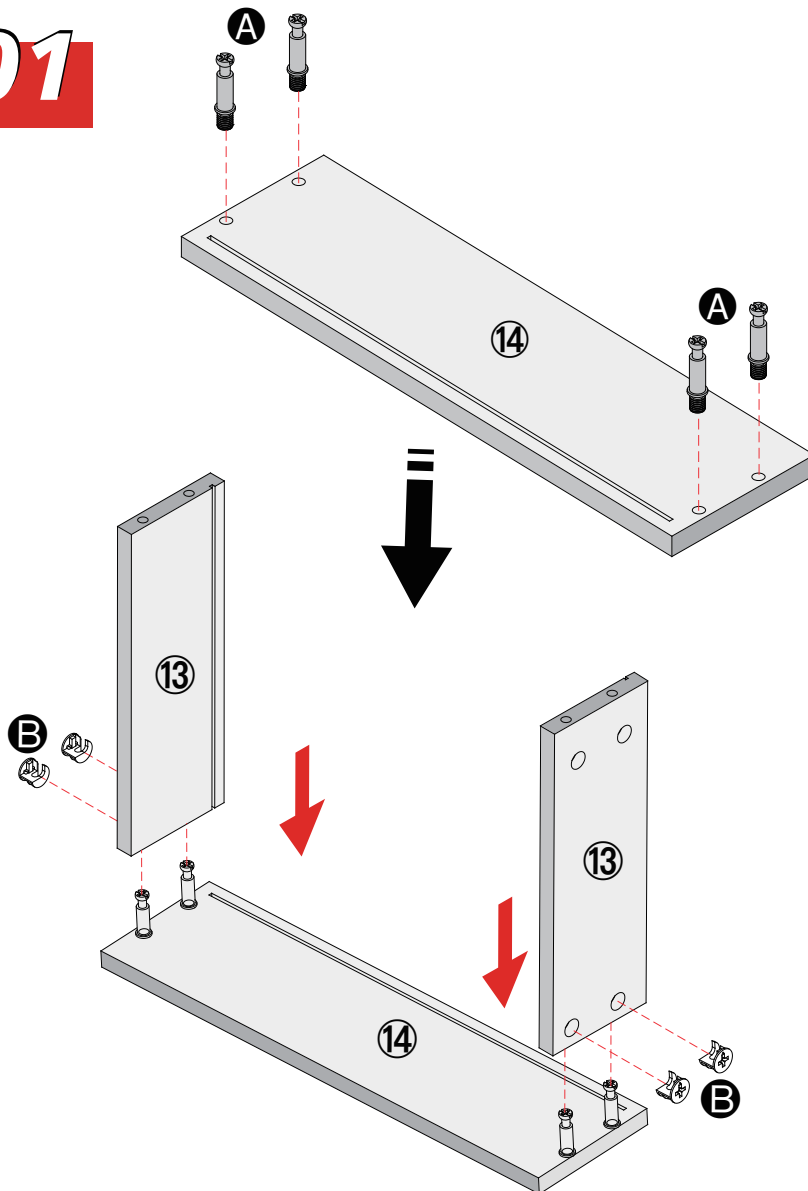
## 1. Assemble two Drawers (Large)

**X2**

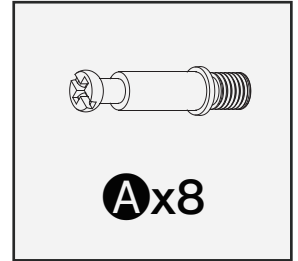
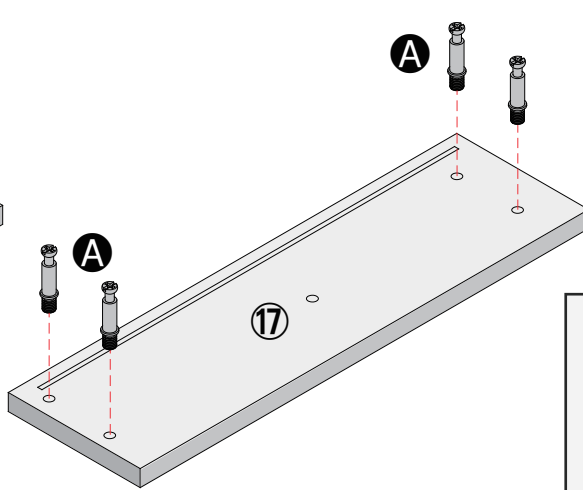
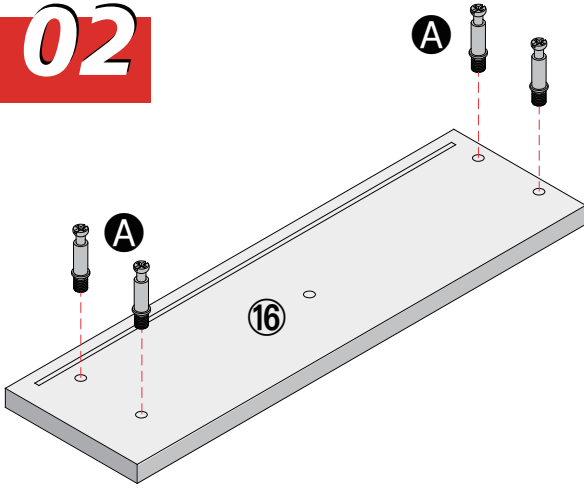
Screw **100%** tight



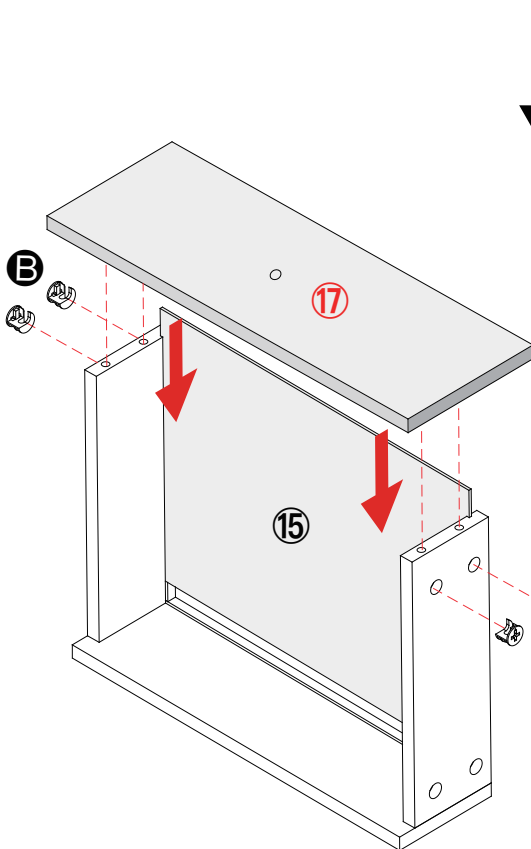
**01**



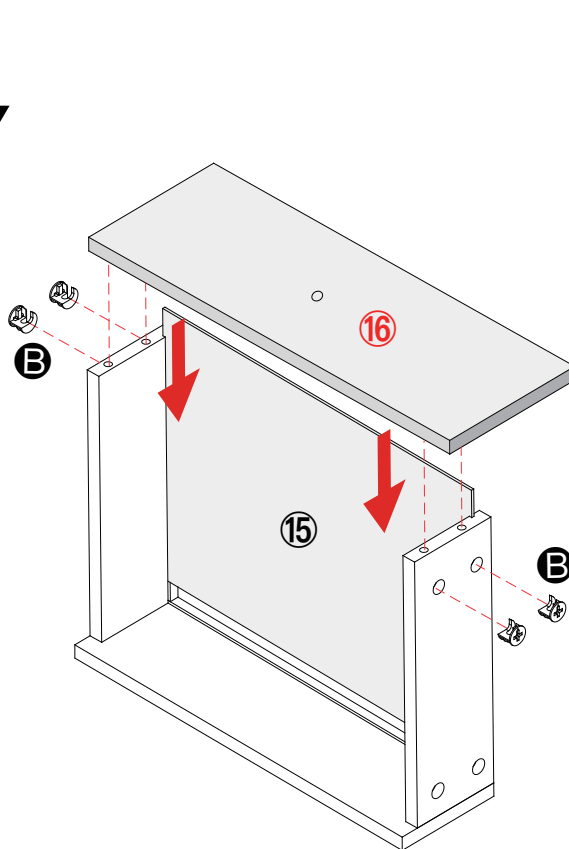
# 02



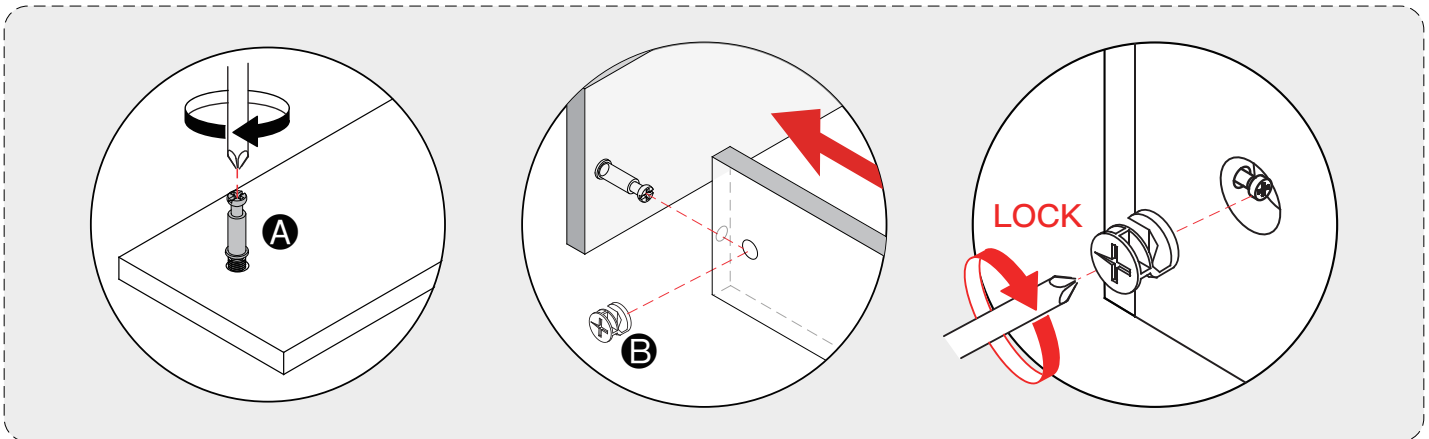
Screw **100%** tight



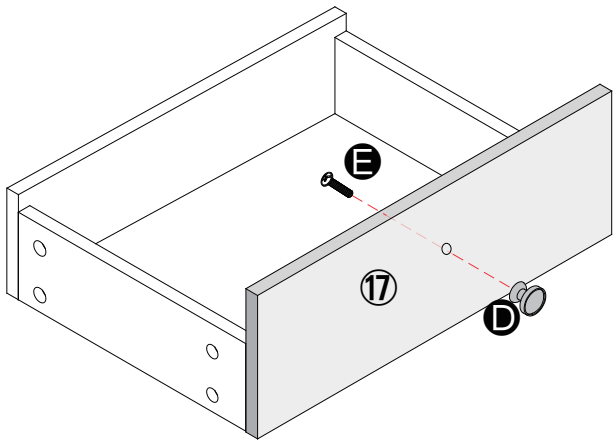
Right Drawer



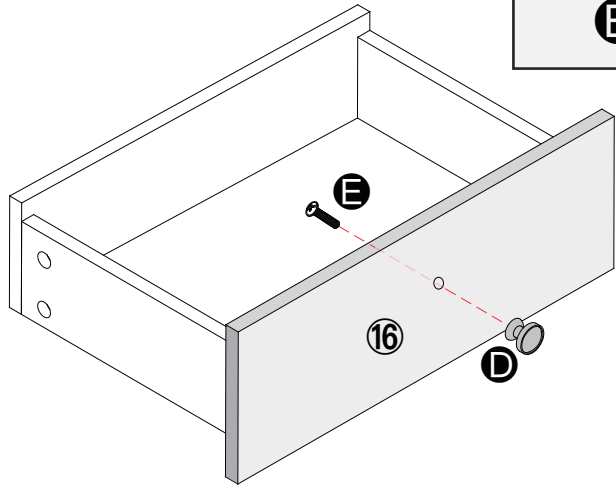
Left Drawer



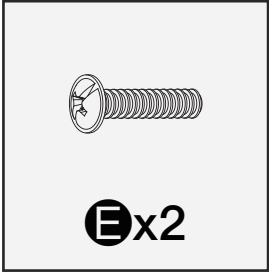
# 03



Right Drawer

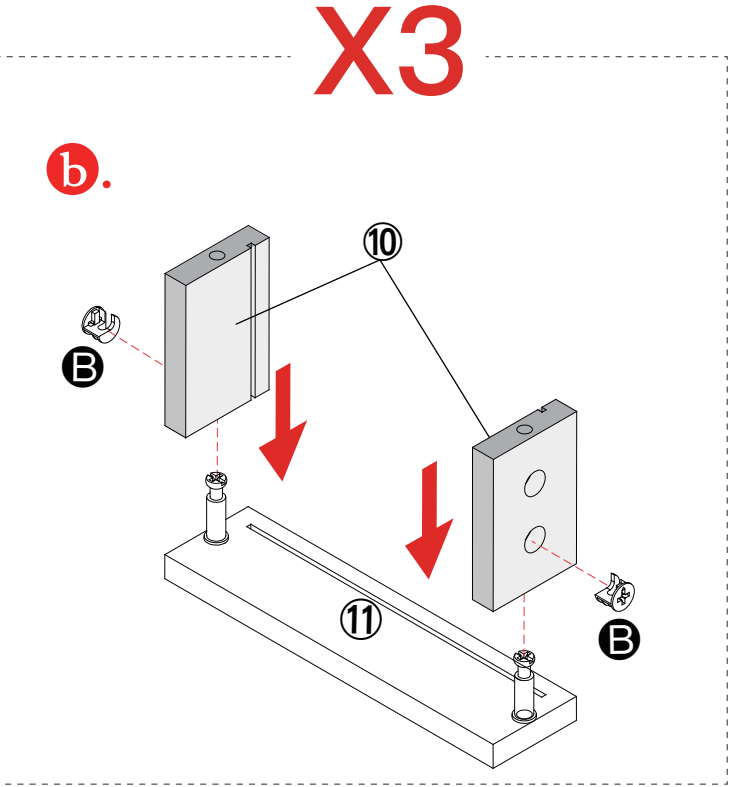
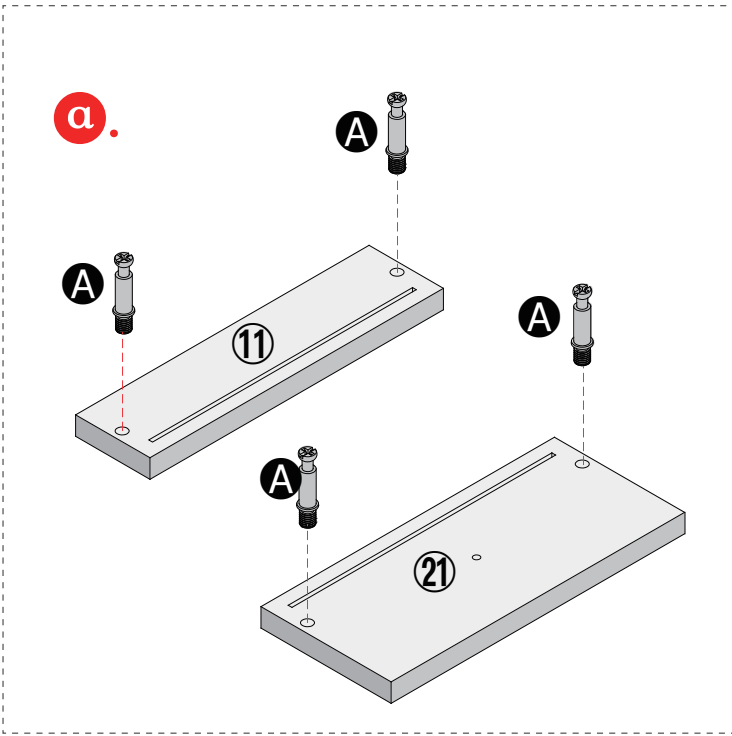


Left Drawer



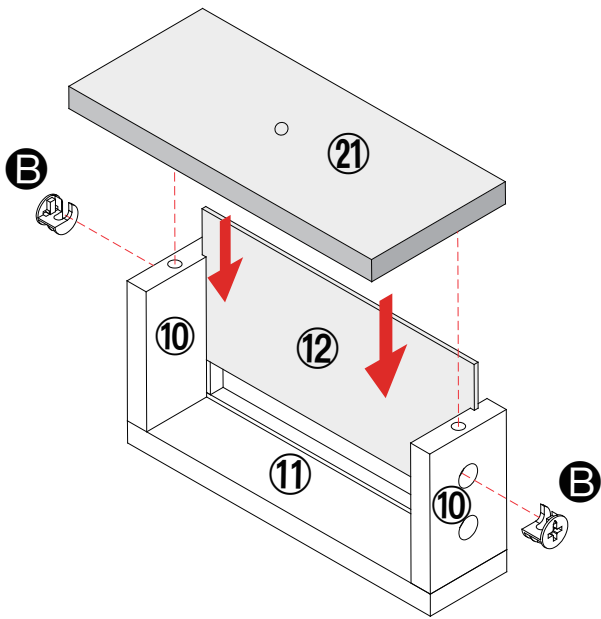
## 2. Assemble three Drawers (Small)

# 04

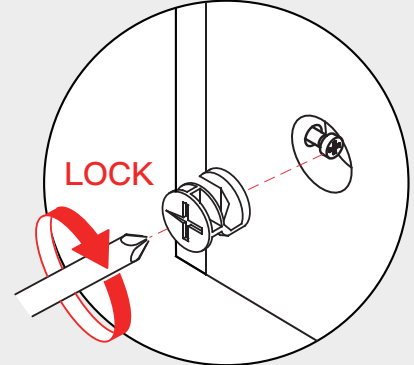
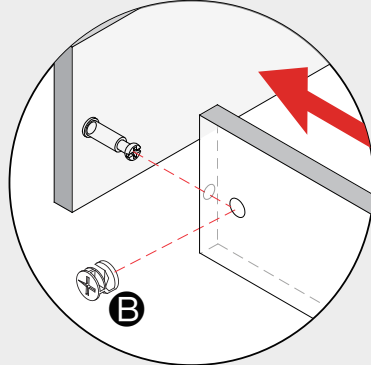
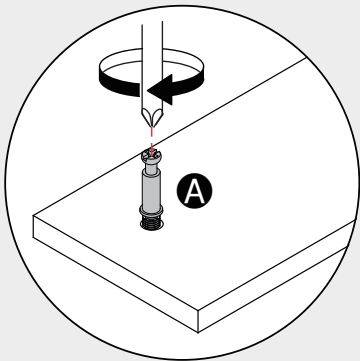
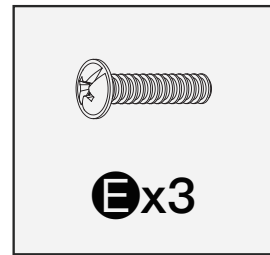
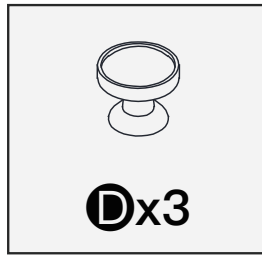
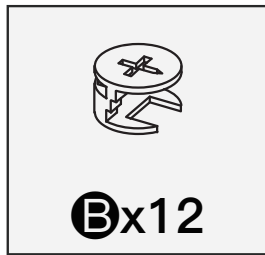
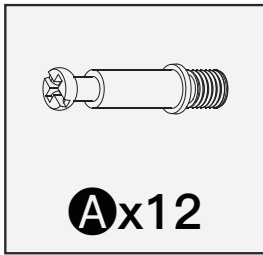
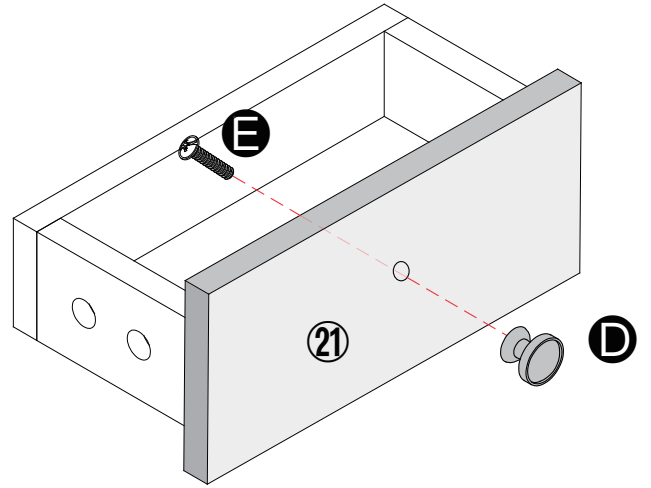


# X3

**c.**

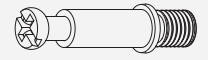
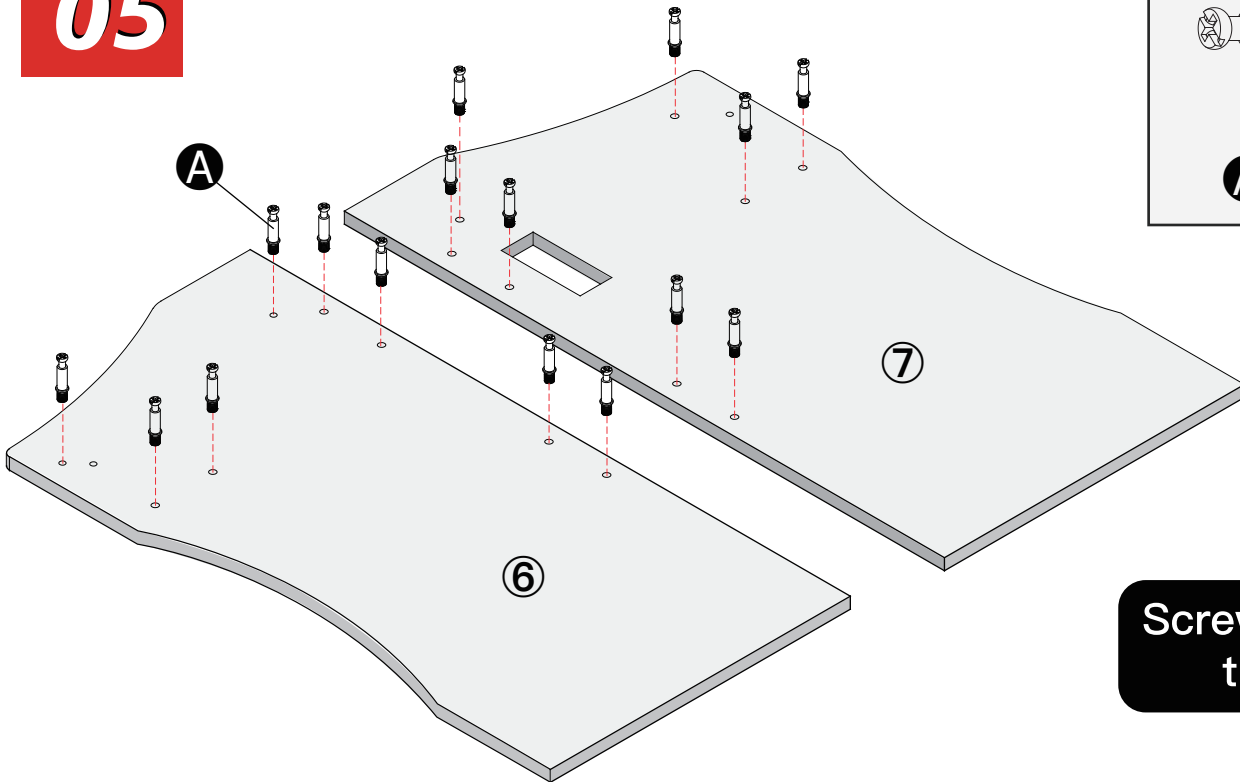


**d.**



### 3. Assemble Main Frame of The Desk

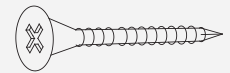
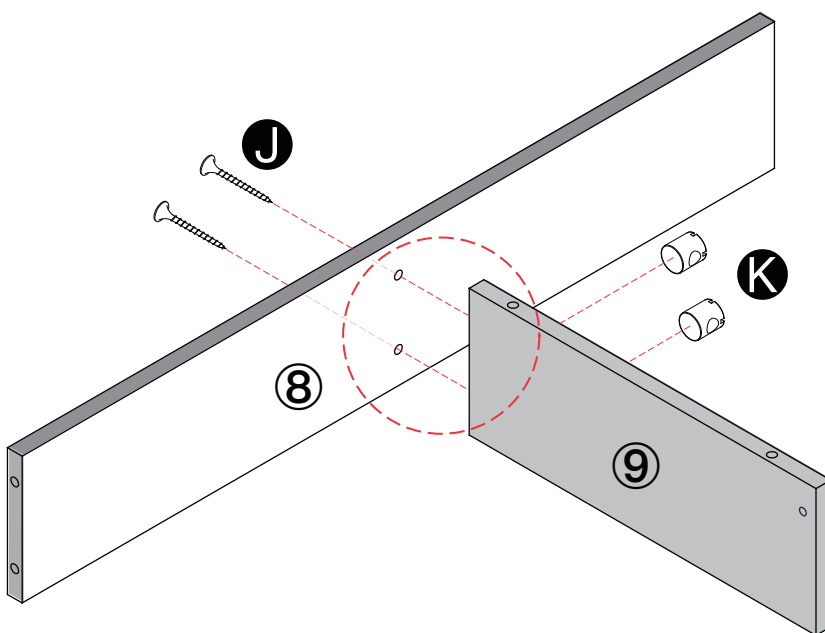
05



Ax16

Screw **100%**  
tight

06



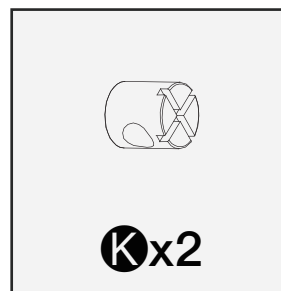
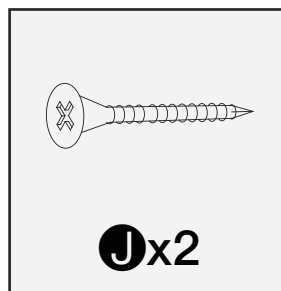
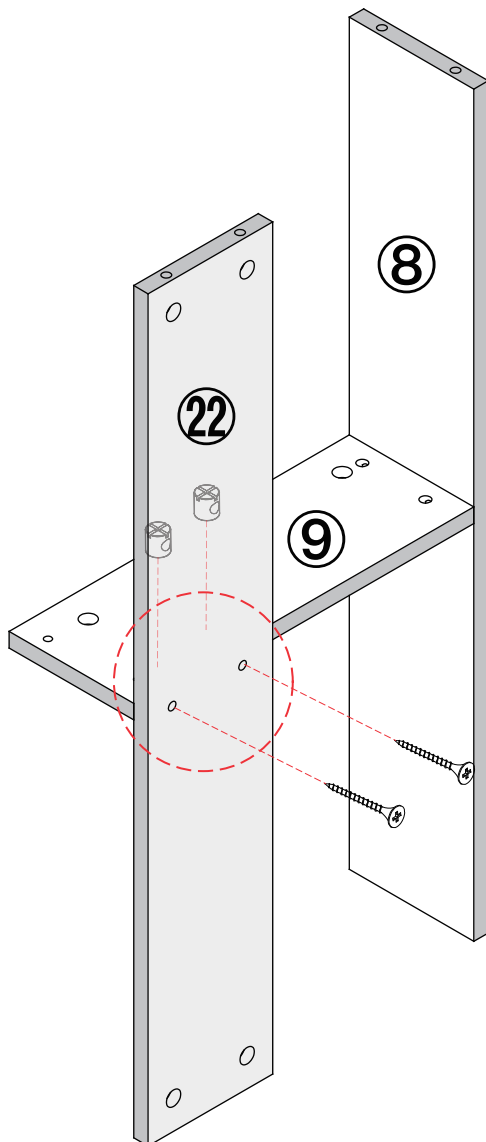
Jx2



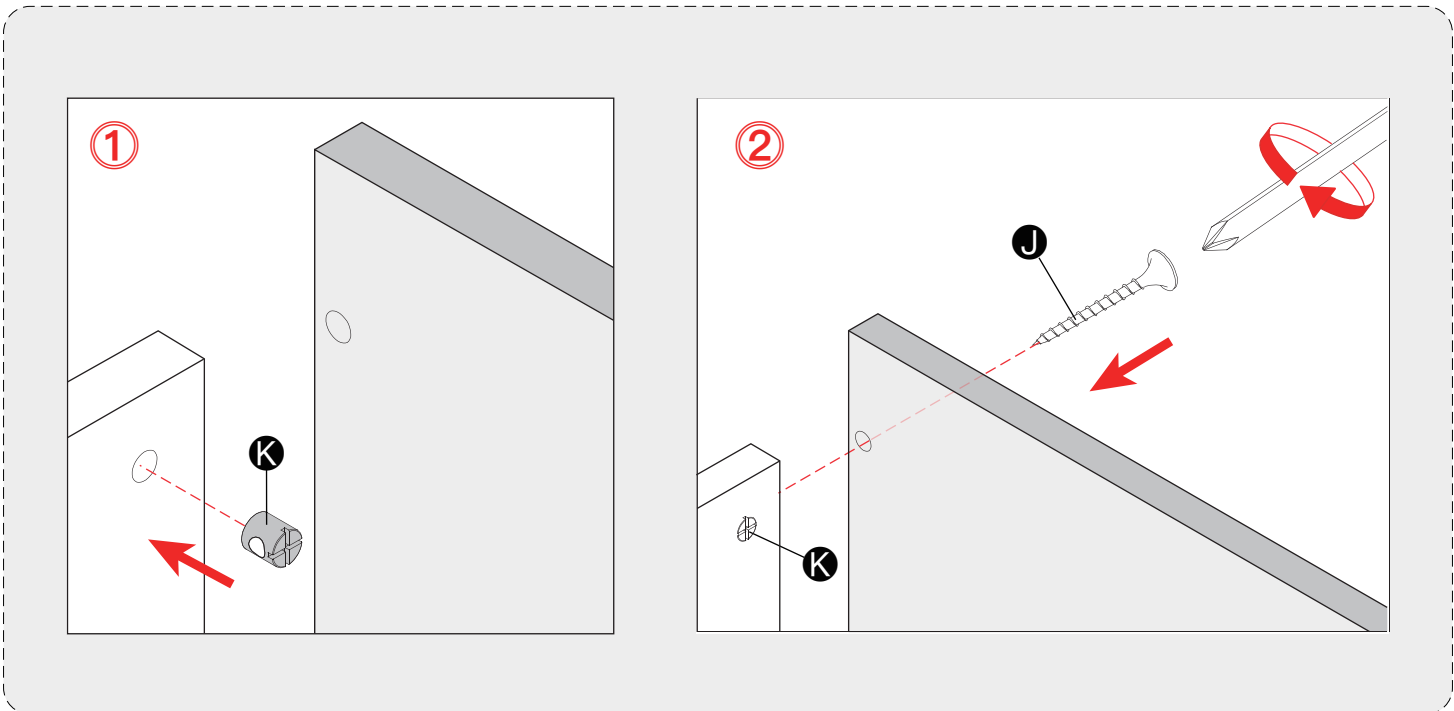
Kx2

Screw **60%**  
tight

**07**

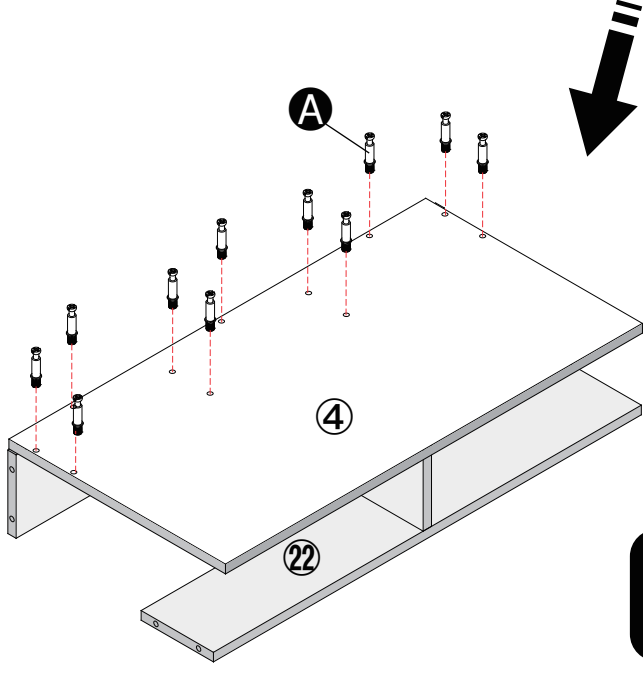
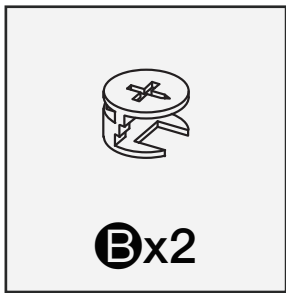
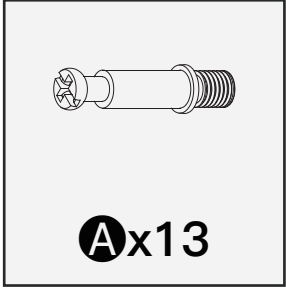
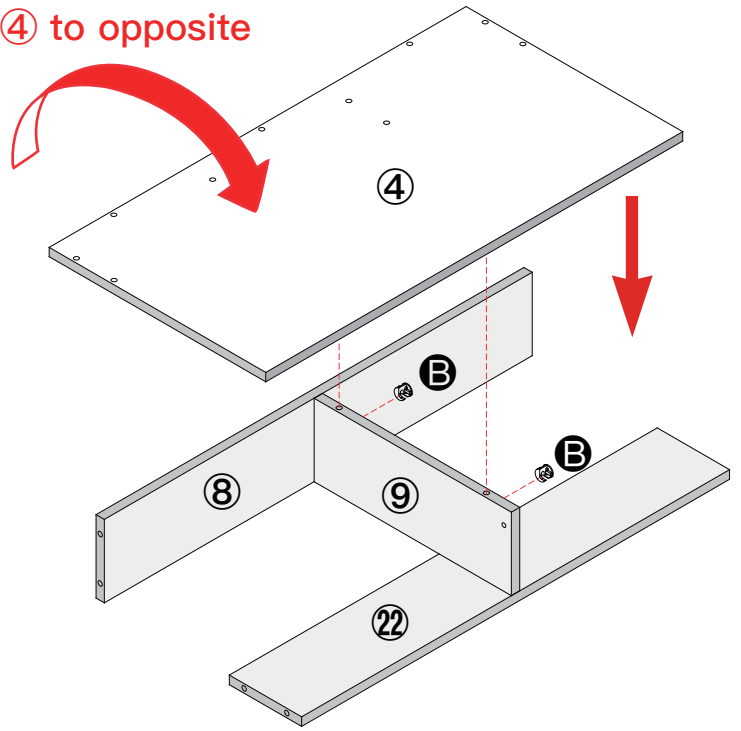
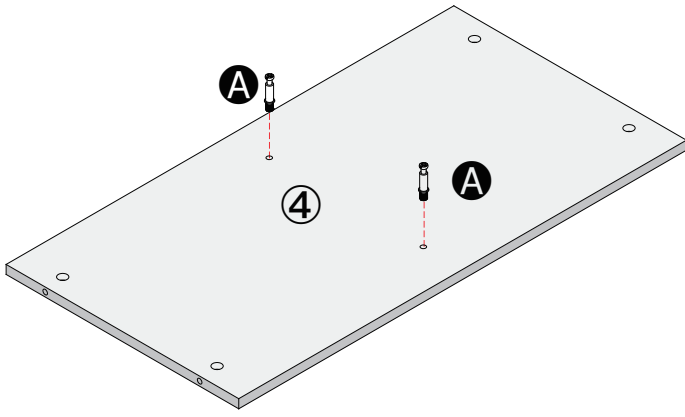


**Screw 60%  
tight**

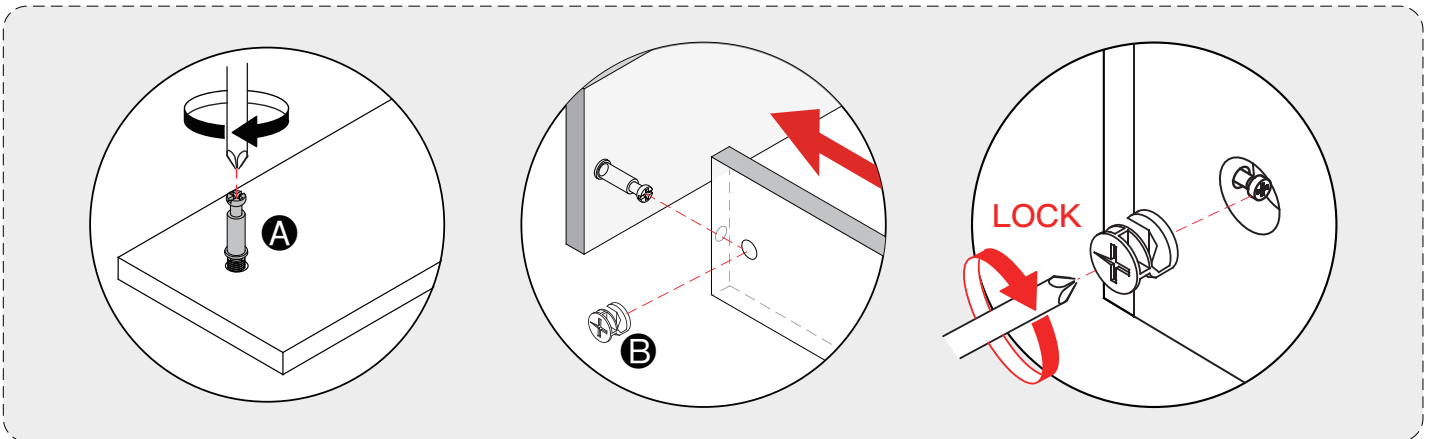


# 08

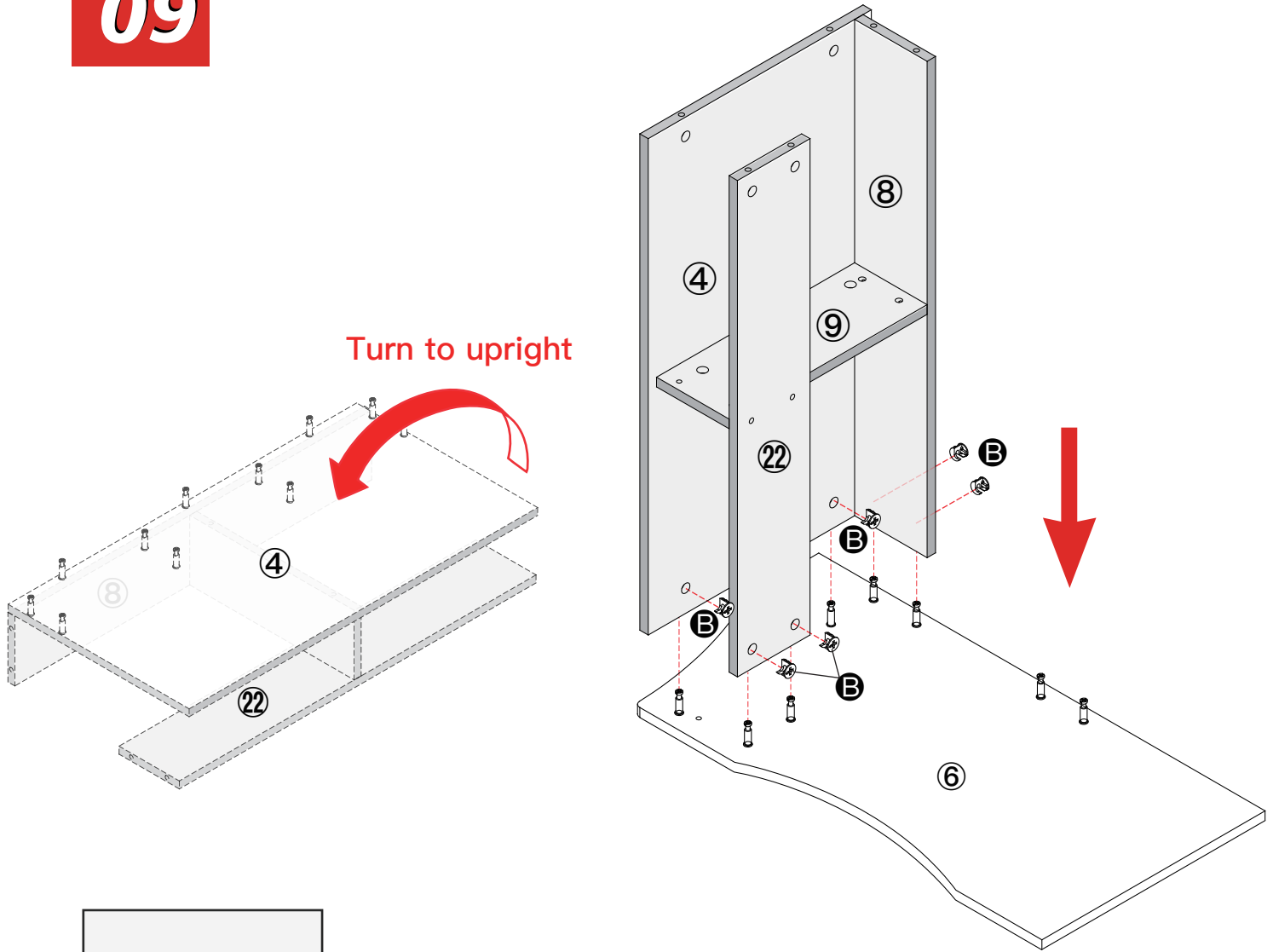
Flip ④ to opposite



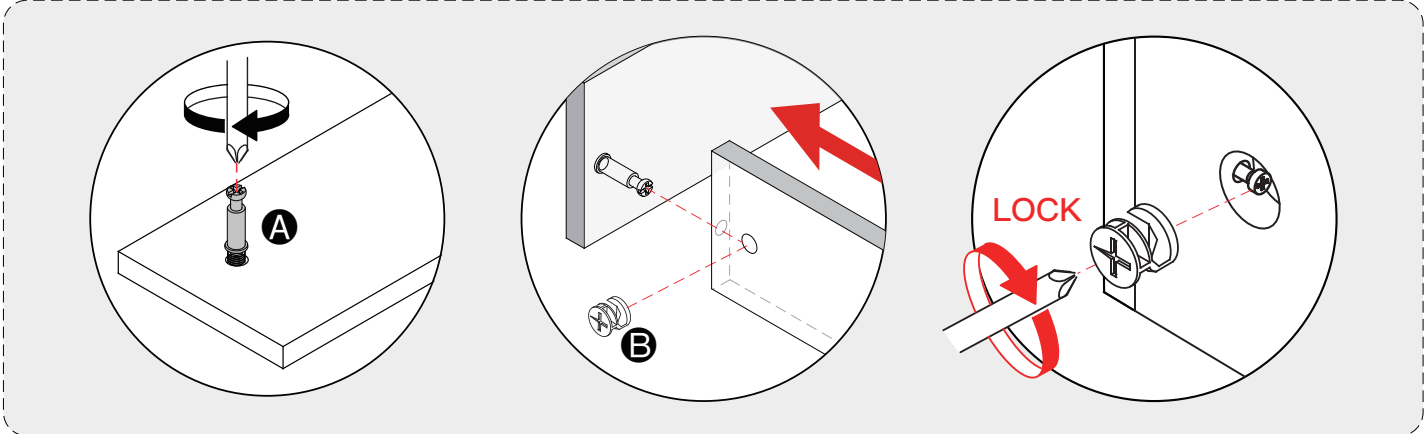
Screw **100%** tight



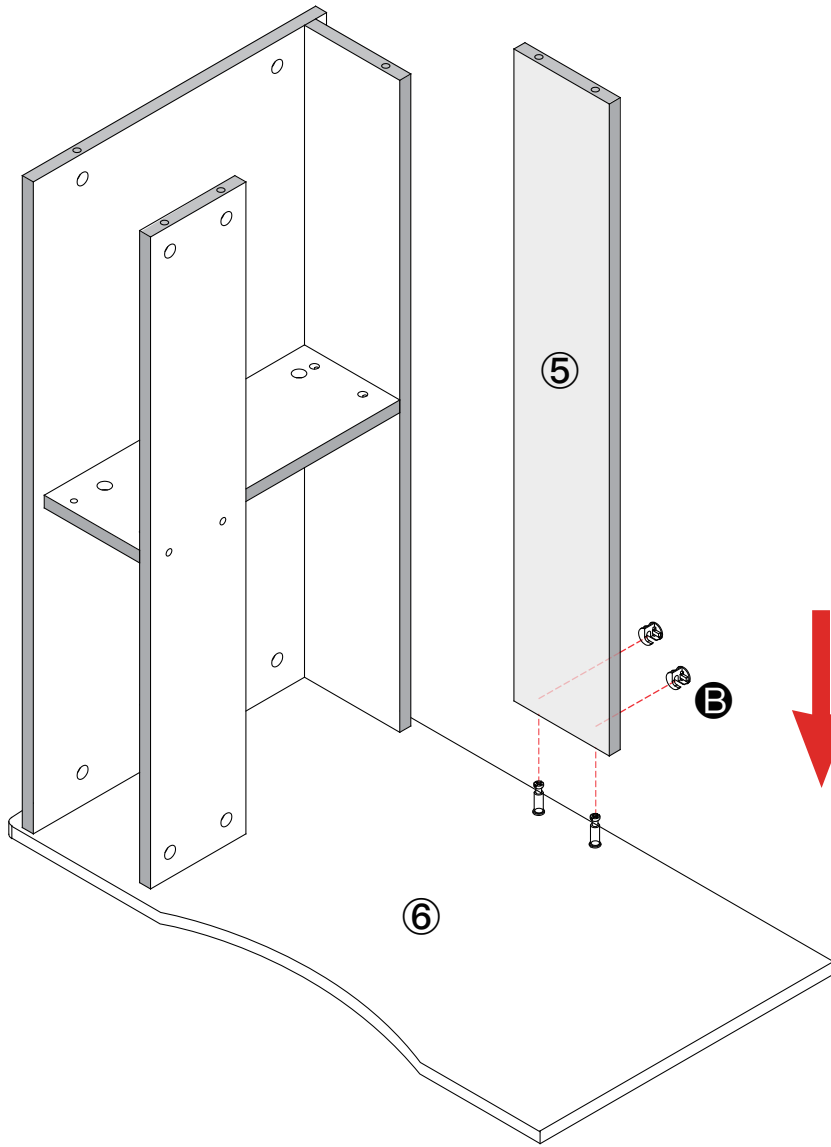
# 09



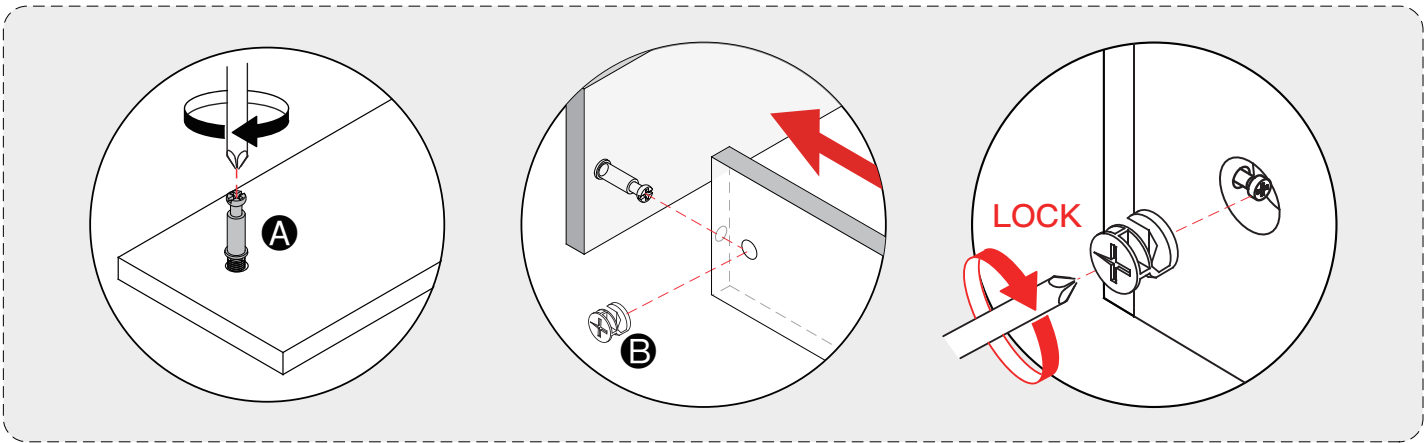
Screw **100%** tight



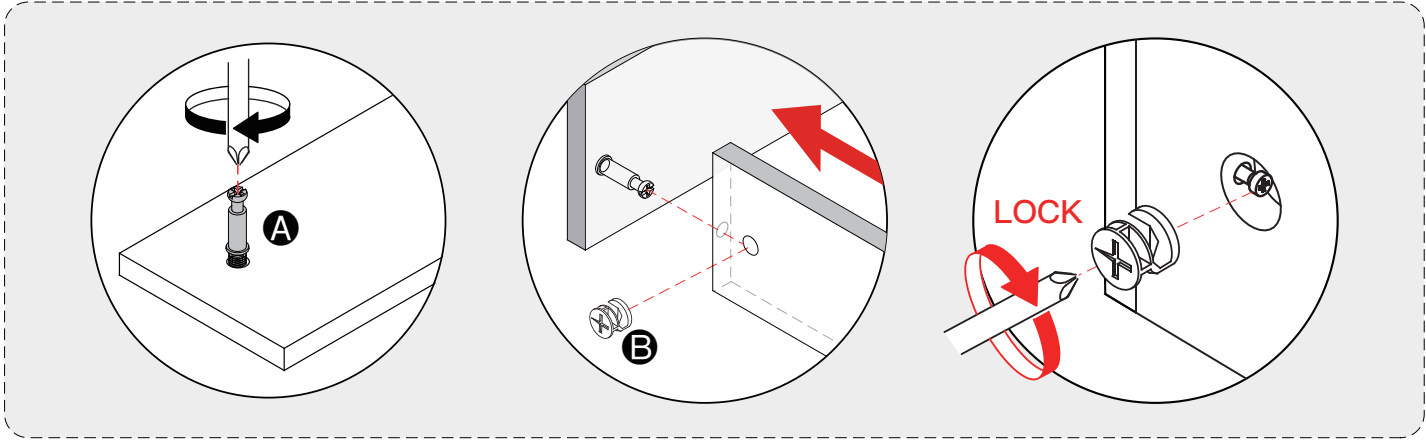
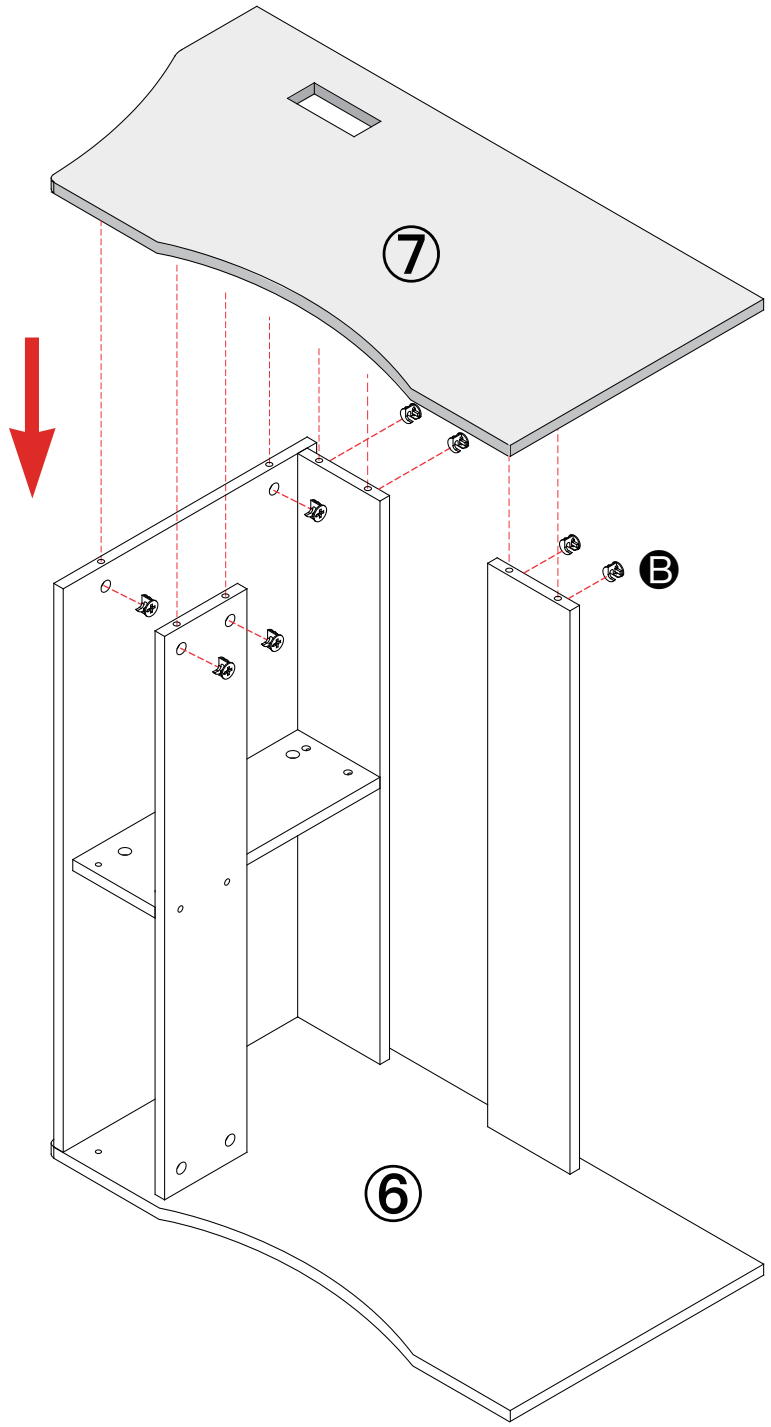
10



Screw **100%** tight



11

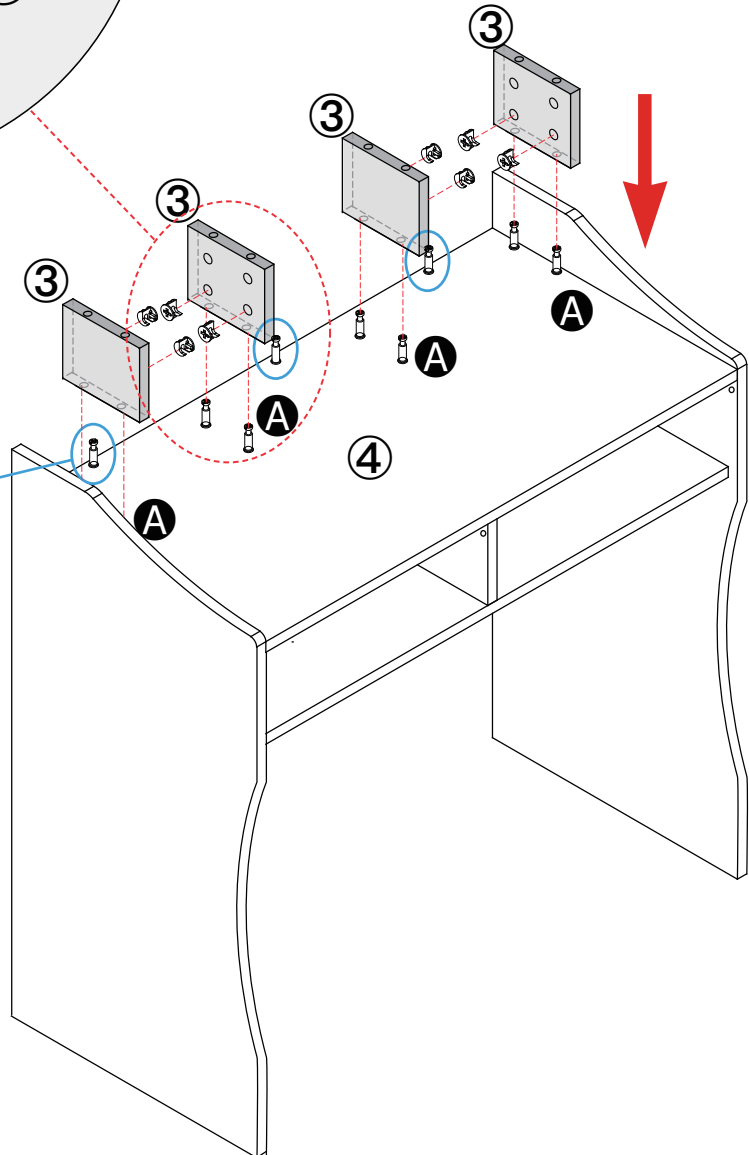
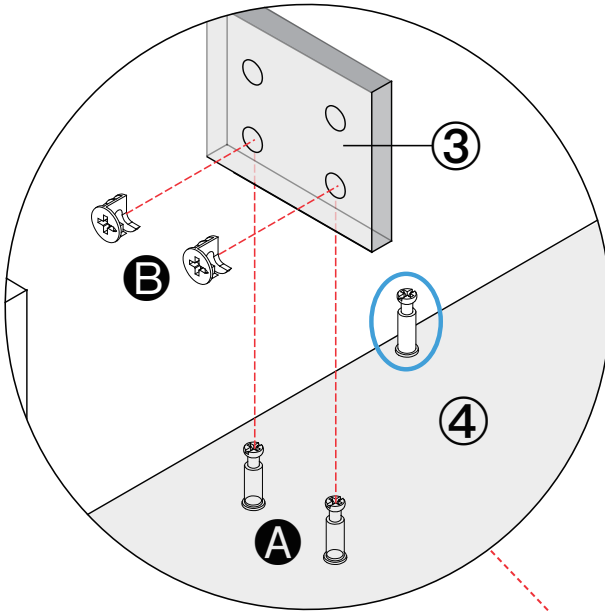


**11**

\*Attach ③ to ① and install ⑥.



Screw **100%**  
tight

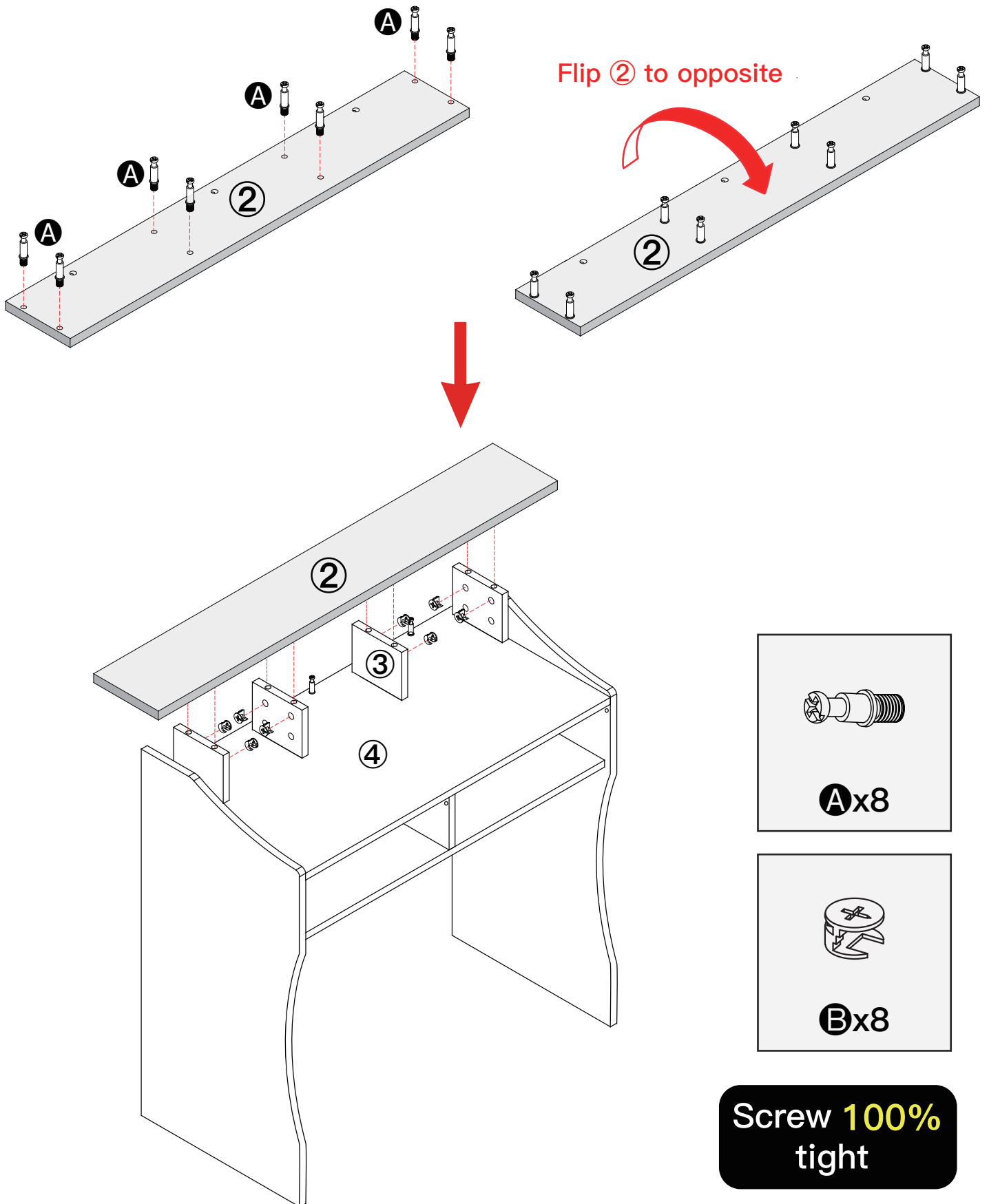


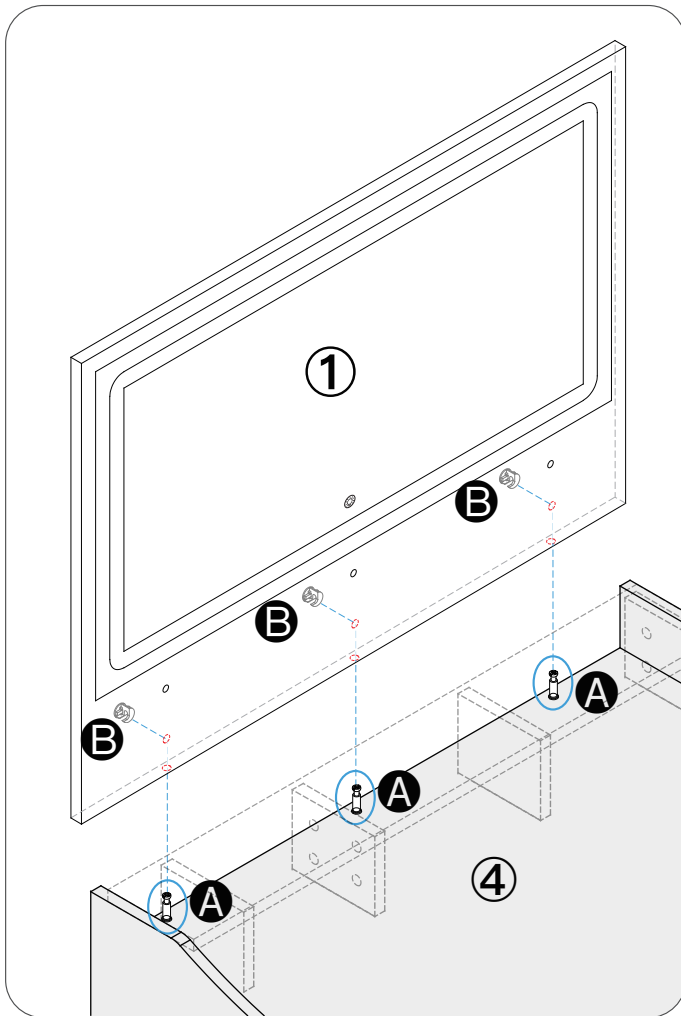
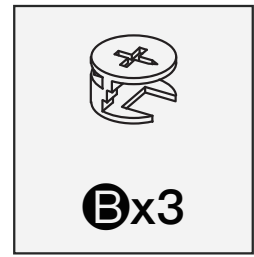
**Note**

The three screws are to be attached to ①, **DO NOT** install them in this step.

# 12

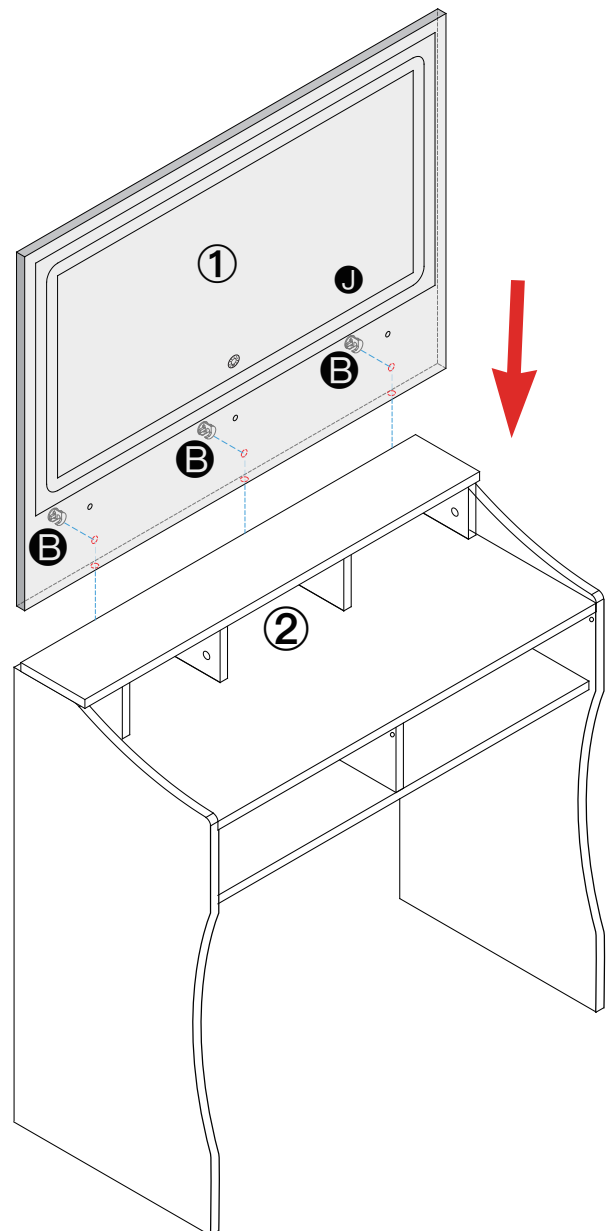
\*Attach **A** to **2** first, then Install **2** and **3** as shown.

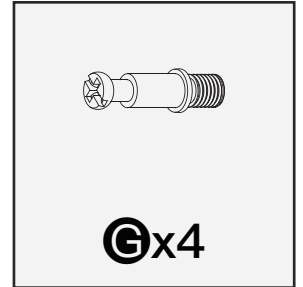
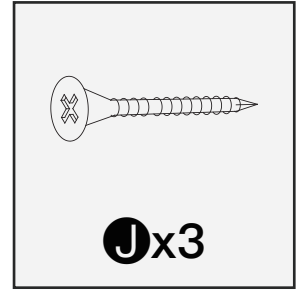
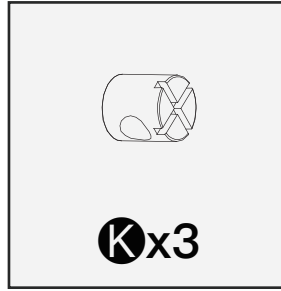
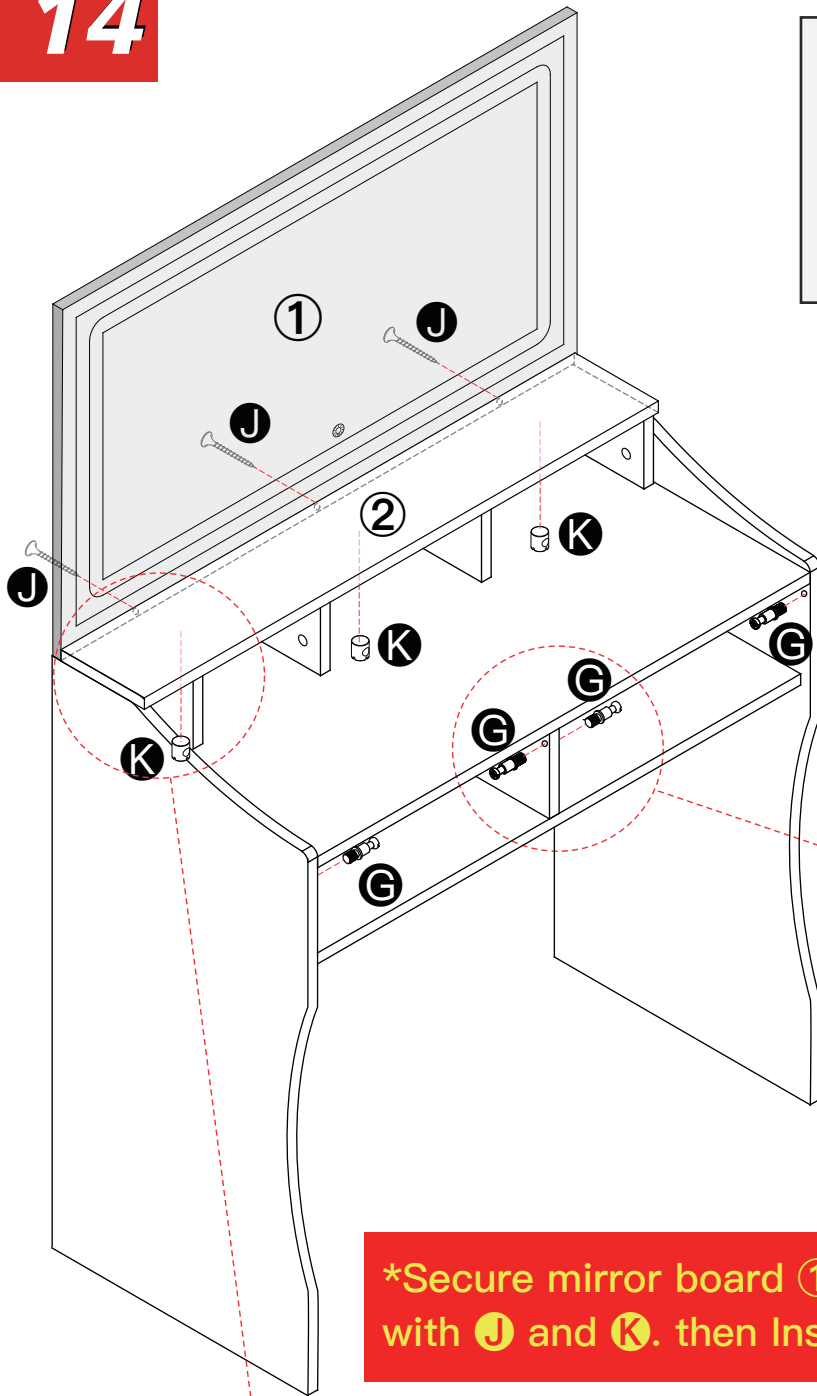




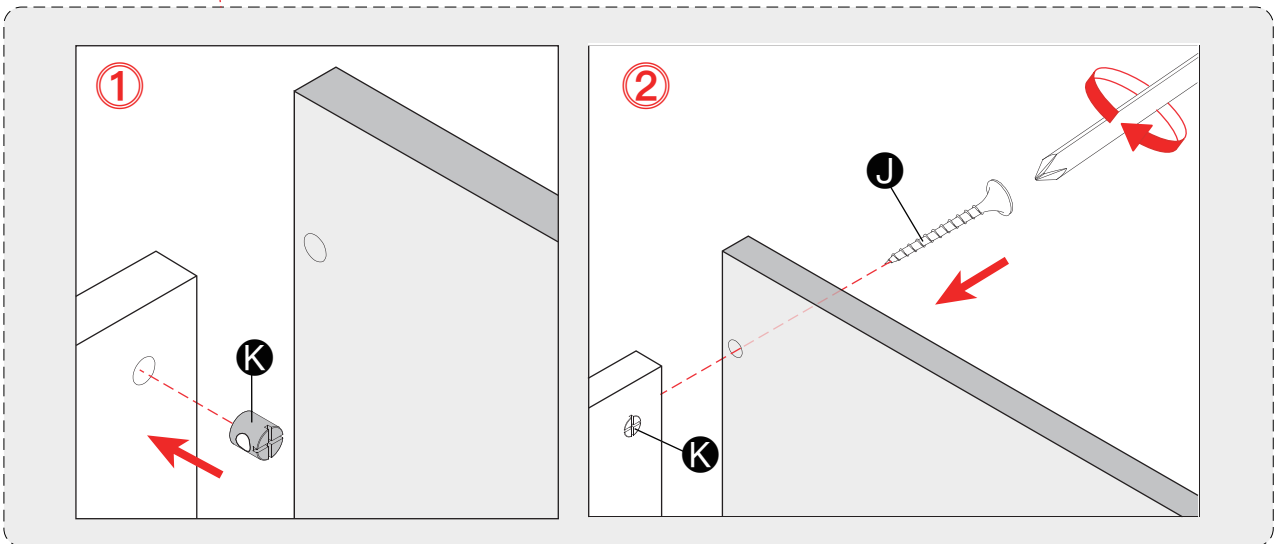
\*Install ① and ①A as shown.

Screw 100%  
tight

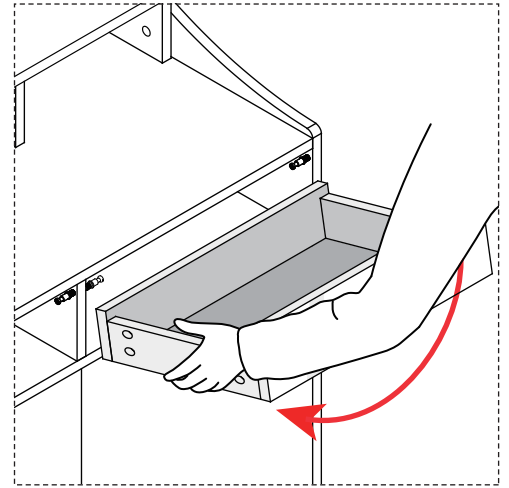
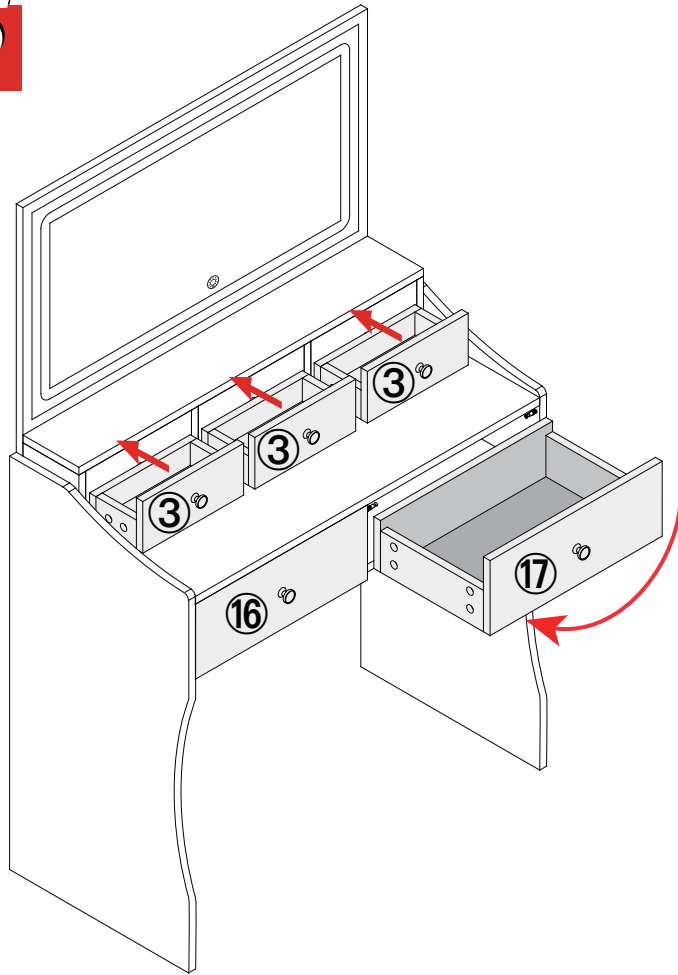




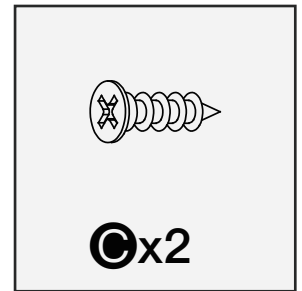
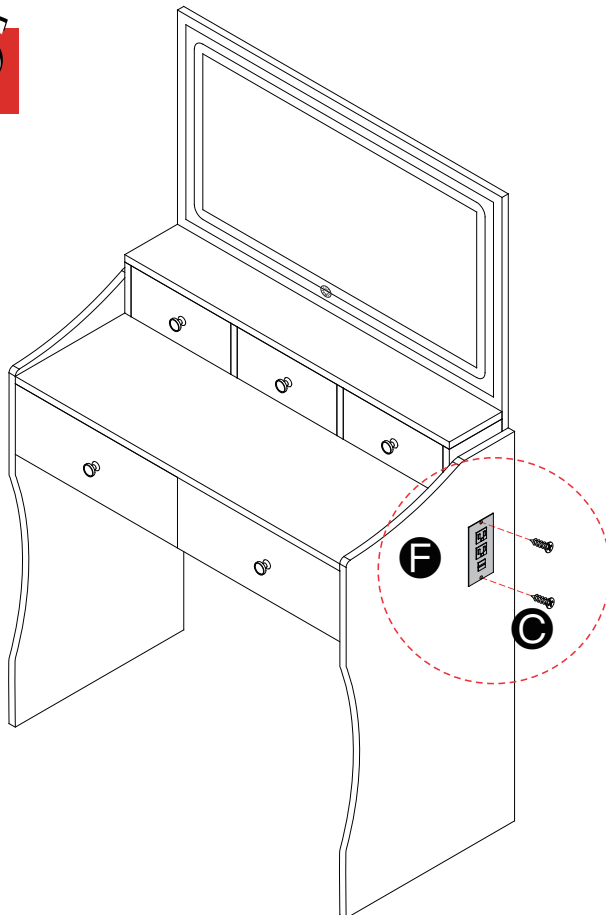
**\*Secure mirror board ① to shelf board ② with J and K. then Install G as shown.**



**15**



**16**

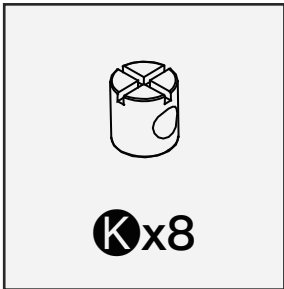
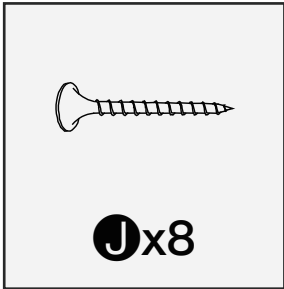
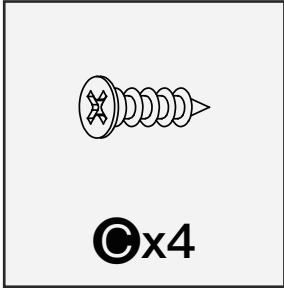
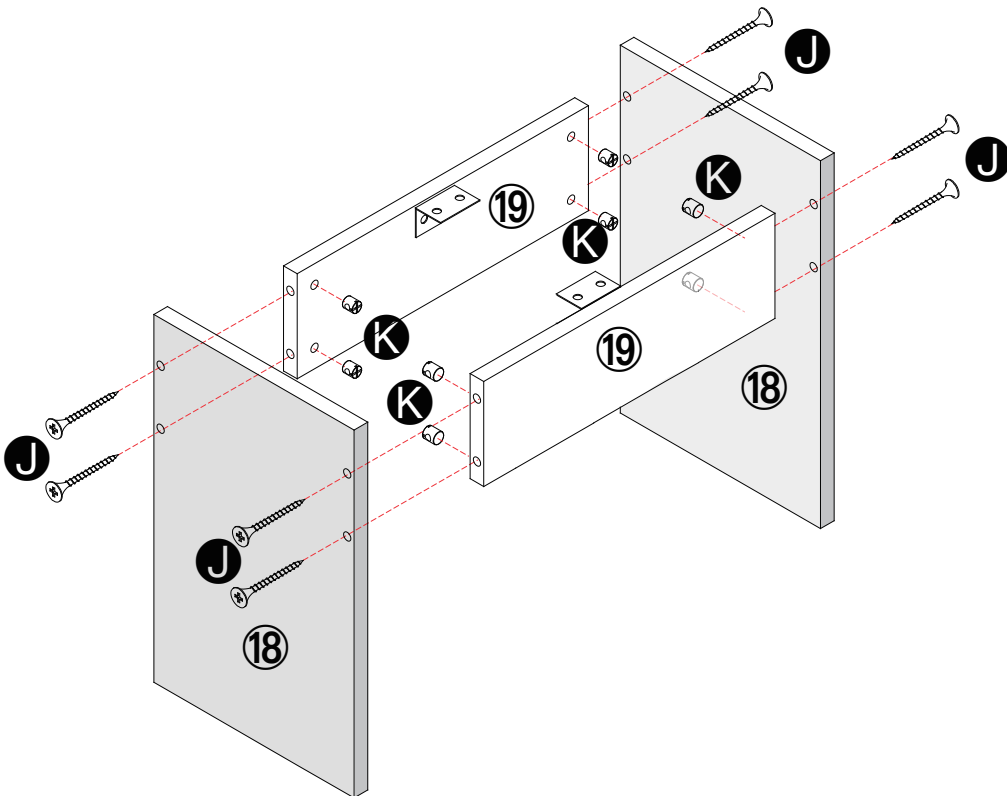
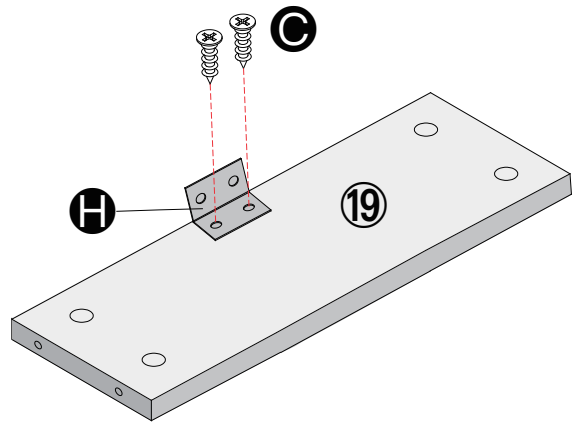
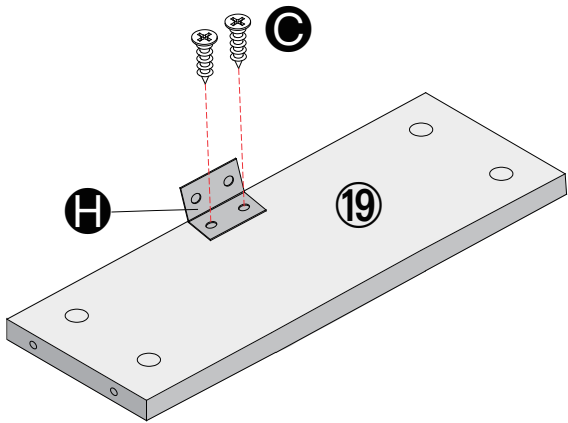


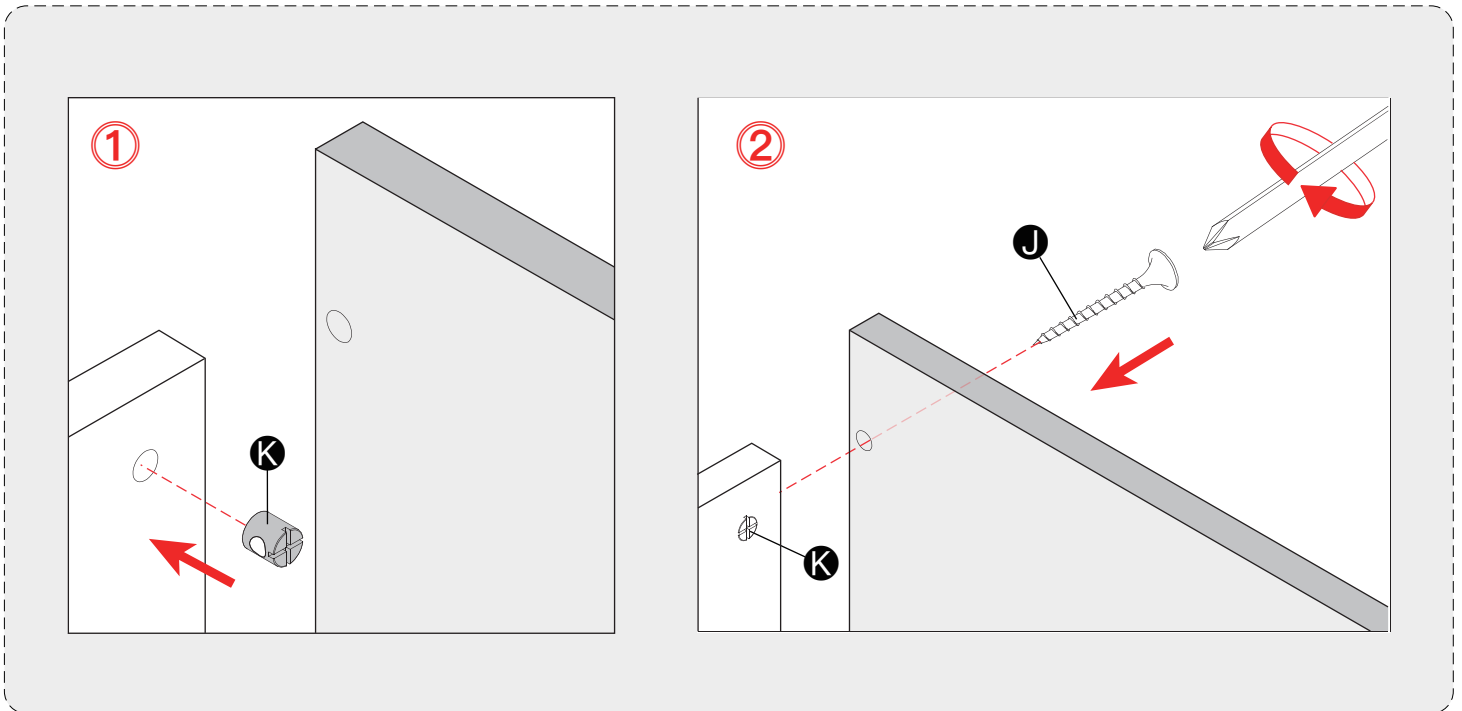
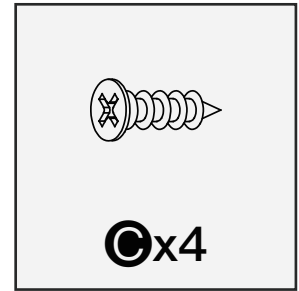
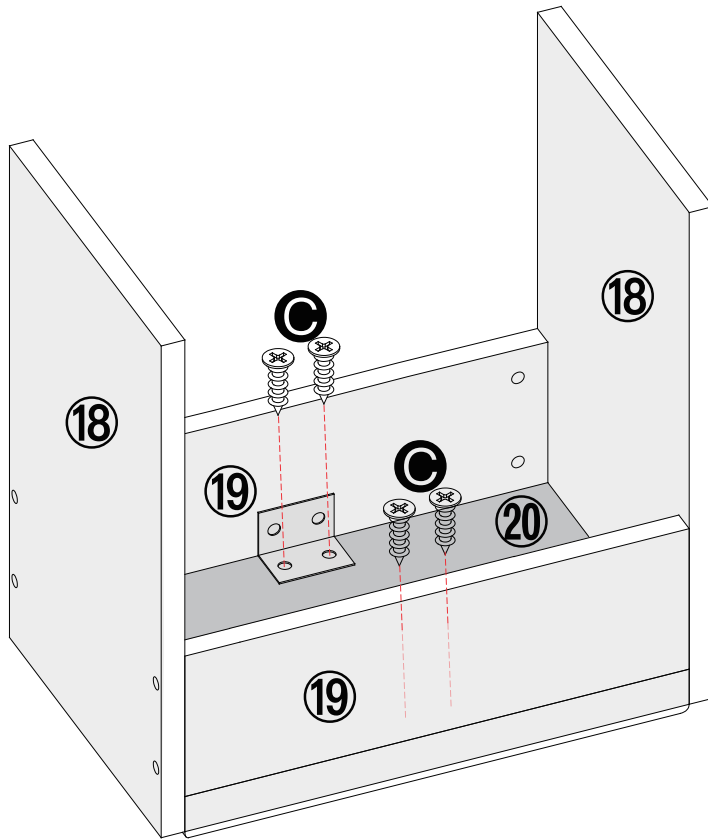
**\*Install Socket F as shown.**

# 4. Assemble Vanity stool

17

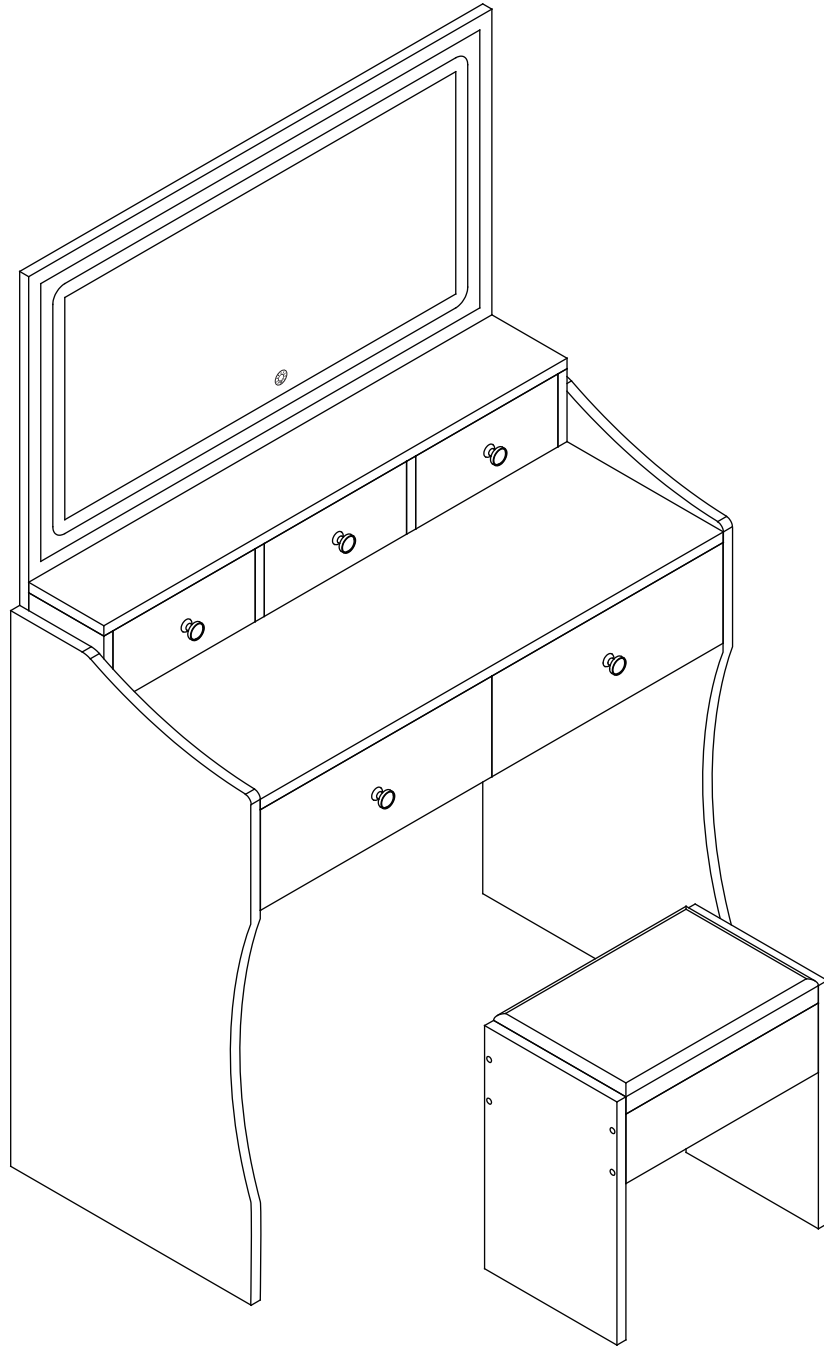
The assembly method for the Vanity Stool.



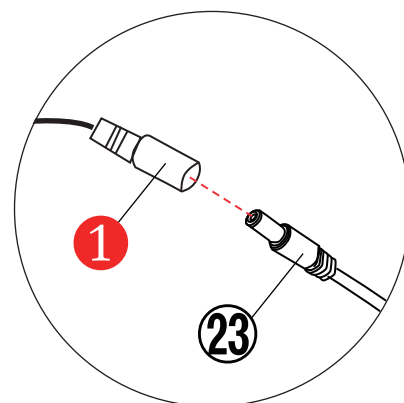
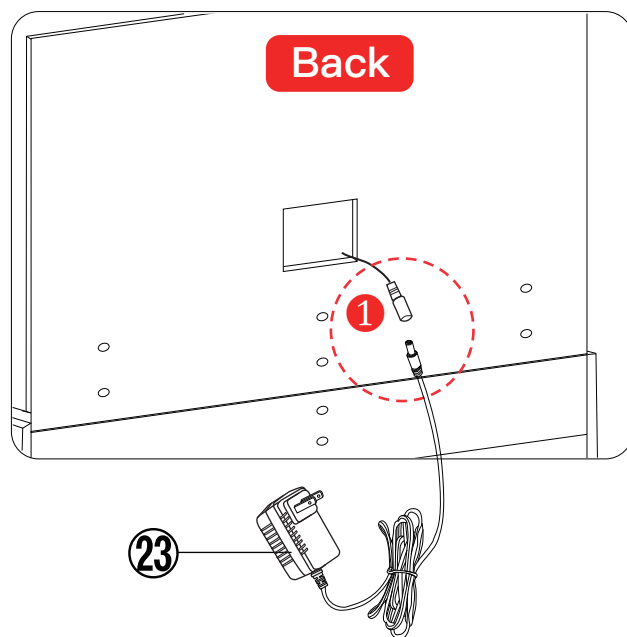
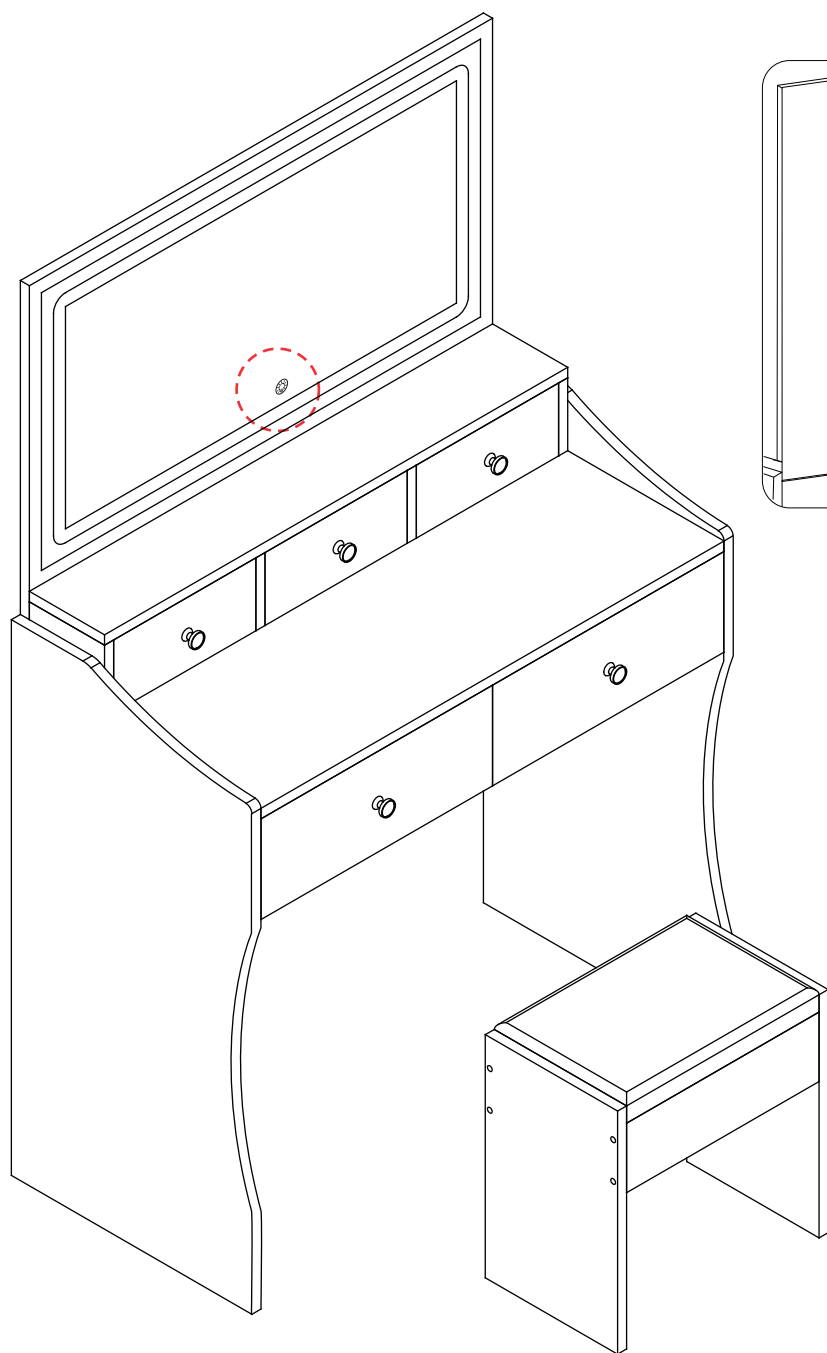


18

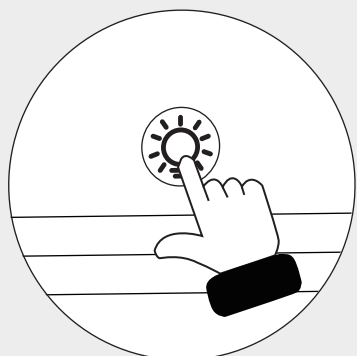
Complete.



# LIGHTING ADJUSTMENT



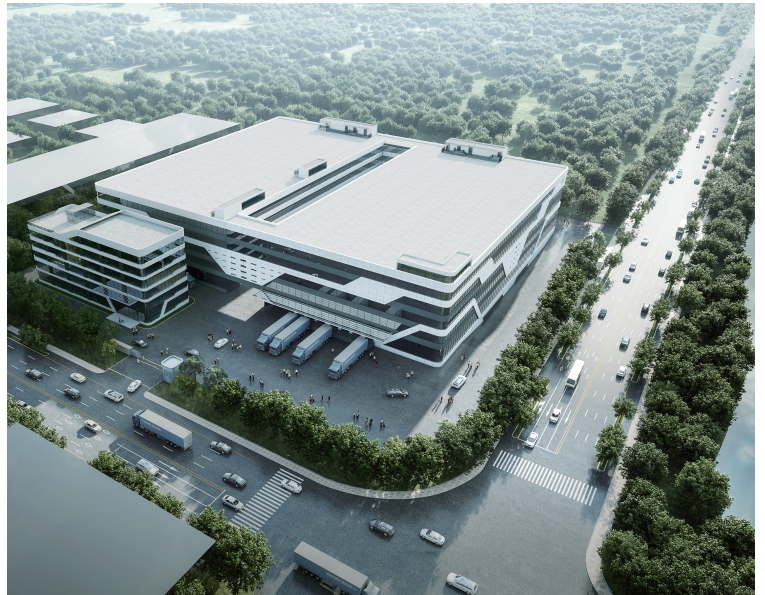
Connect ②③ with cable ① from the Mirror Board.



## Lighting Modes

Tap 1x (Every time) — ON / Nature lighting / Warm lighting / Cold lighting / OFF

- Founded in 2011, has been a leading brand in gaming chairs since launching its first model in spring 2013. Known for advancing gaming experiences through quality, design, and functionality, GTRacing expanded to the US in 2016 and has since grown across Japan, Korea, Canada, and Europe.



- Today, the brand produces and sells over one million products annually, catering not only to gamers but also expanding into home theaters and remote workspaces. is widely recognized in the global esports community for its innovative peripherals.

- 
- ①. Gaming Brand 1: (Standard Gaming Chairs)
  - ②. Gaming Brand 2: GTPLAYER (Premium Gaming Chairs)  
(Gaming Brand Slogan: “BE COOL, BE FREE”)
  - ③. Furniture Brand 3: Household Goods (pronounced as , meaning “welcome home”), dedicated to manufacturing home products.

---

**⚠ Attention :**

We strive to develop high-value products, but please note that we are not responsible for accidents, malfunctions, or damages resulting from purchasing similar products from other companies. Thank you for your understanding in advance.