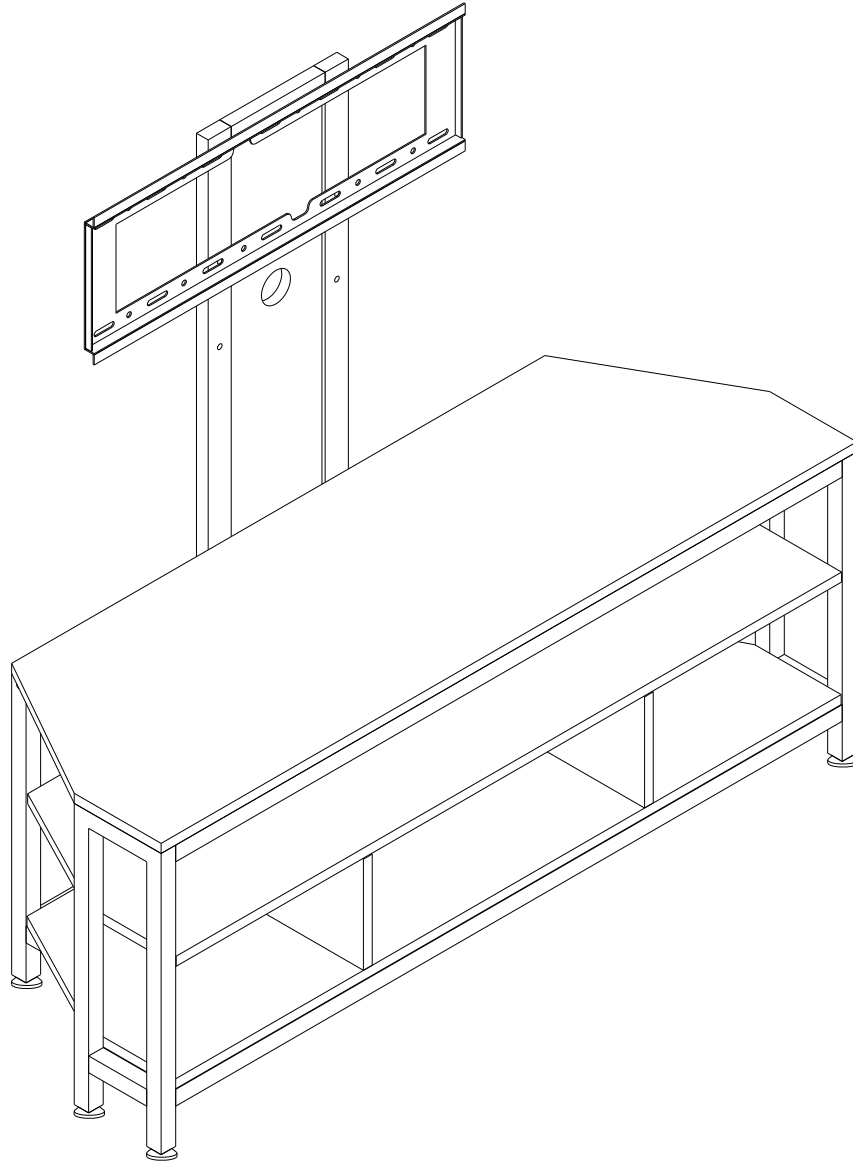


ASSEMBLY INSTRUCTIONS

GZDX-V1

FTLFTS-0039



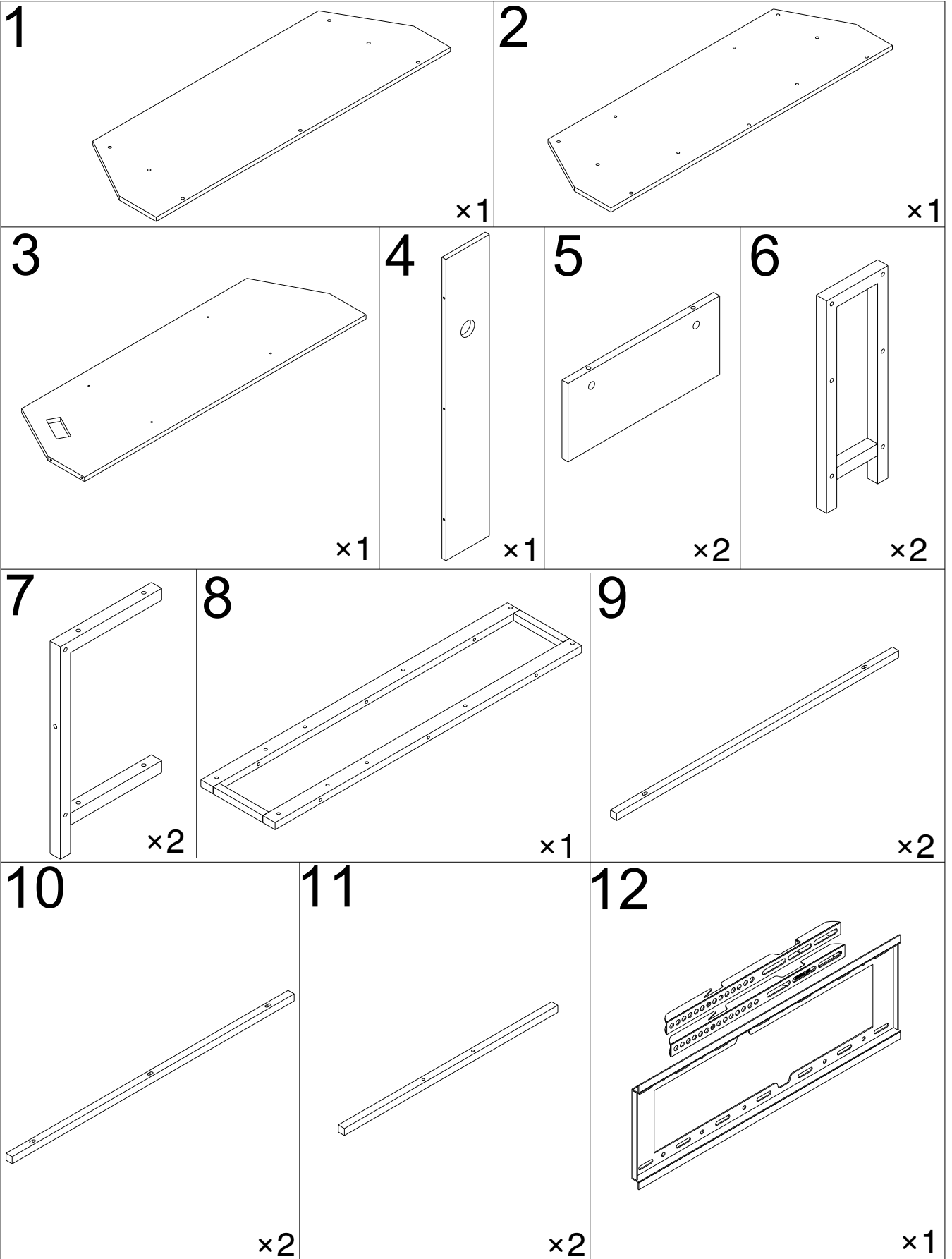
TV STAND

Notice:







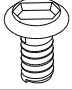


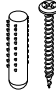
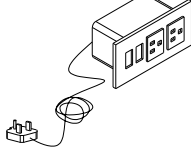
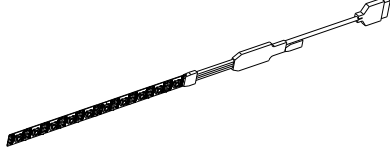
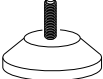
- 1. Follow the installation instructions. Please confirm all accessories are preset before installation.**
- 2. Do not fully tighten the screws during initial assembly. Fully tighten screws only once all pieces which are correctly assembled.**
- 3. If you encounter any problems during installation, please contact our customer service.**

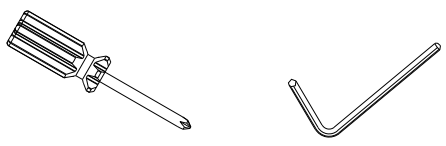



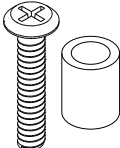
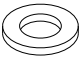
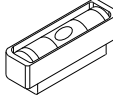
FTLFTS-0039

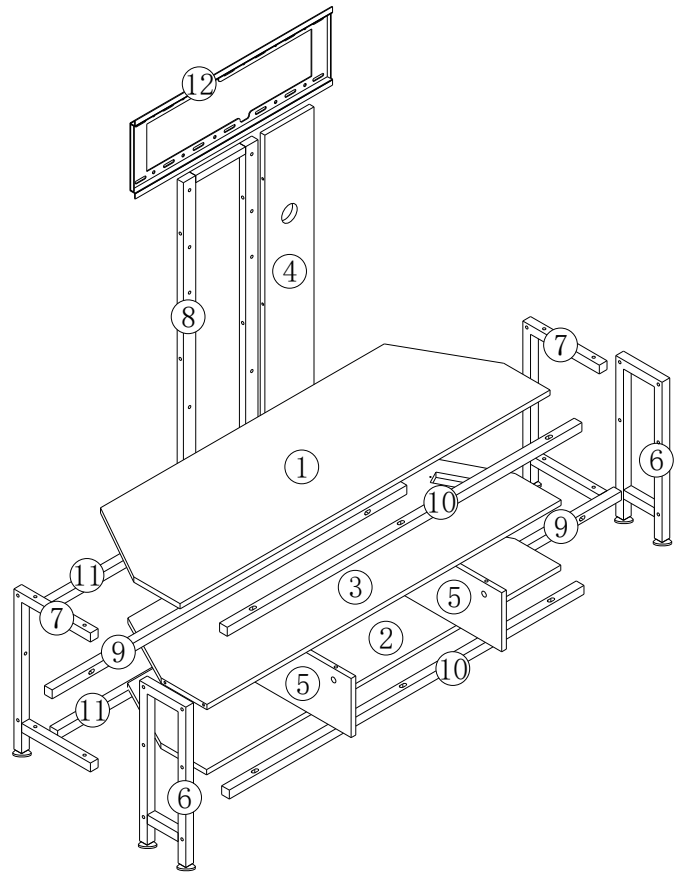


FTLFTS-0039

(A)			X4
(B)		M7*50	X10
(C)			X4
(D)		M7*70	X6
(H)		M6*45	X16
(G)		M6*35	X18
(N)		M6*10	X4
(P)		M3.5*14	X2
(V)			X4
(W)			X2
(Z)			X1
(X)			X1
(Y)		M8	X6

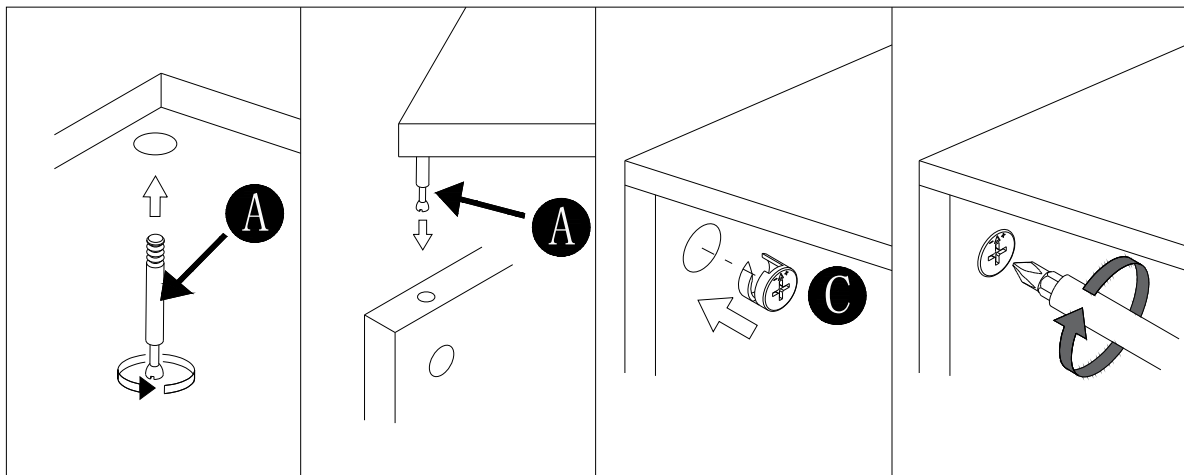


(R)		M5*100	X2
(T)		M6*25	X4
(U)			X6
(O)			X1

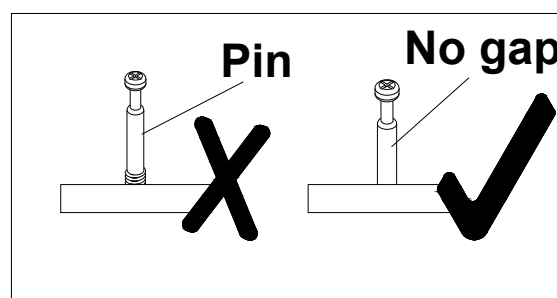


Installation of Cams and Pins

Screw the pin into the hole. To set the cams correctly, ensure that the arrow on the cam is opening to the hole of the pin it is locking. Lock the cam by turning the cam head with a screwdriver until it is tightened. Please do not use an electric screwdriver to assemble the unit.

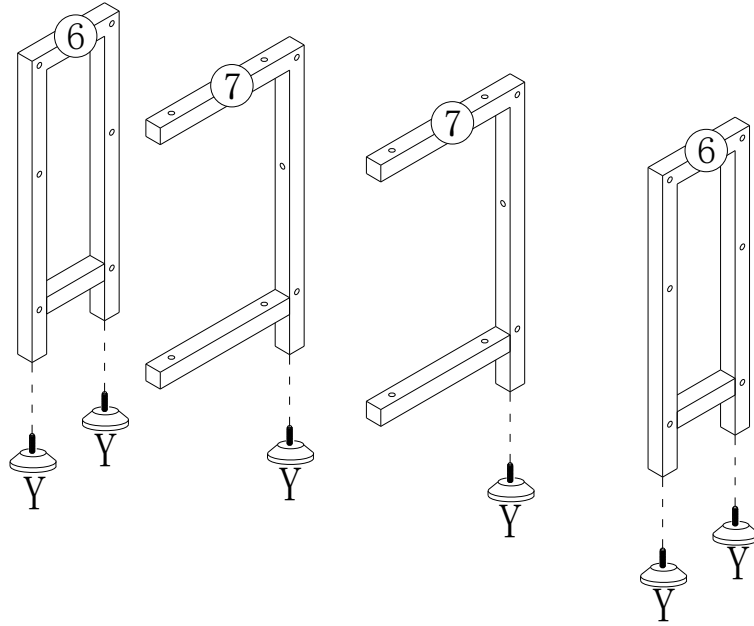
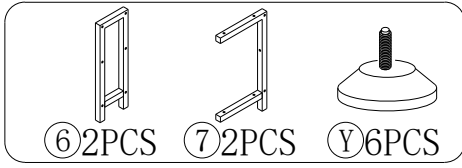


Read each step carefully before starting. It is very important that each step of instruction is performed in the correct order. If these steps are not followed in sequence, assembly difficulties will occur.

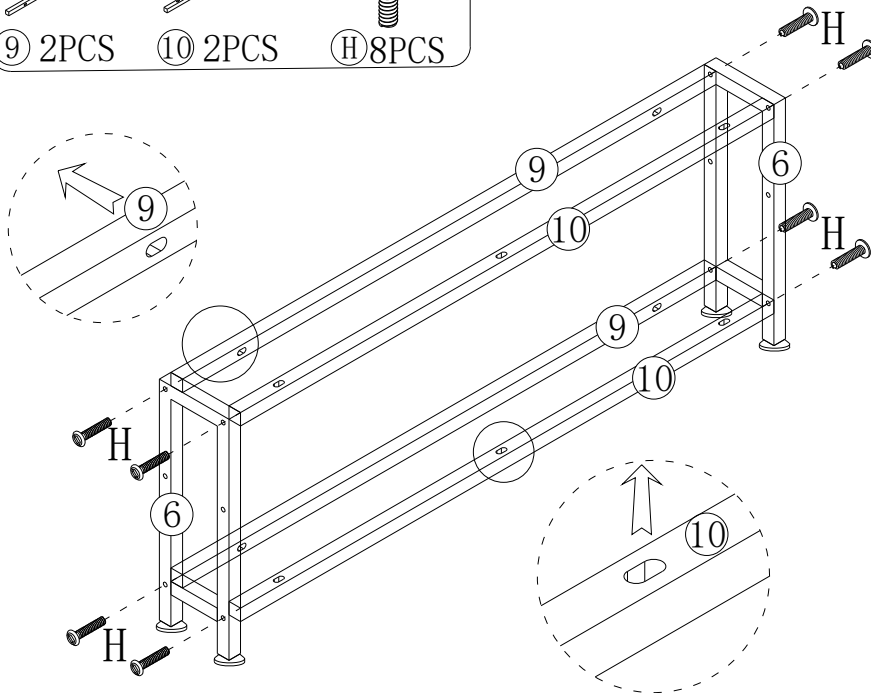
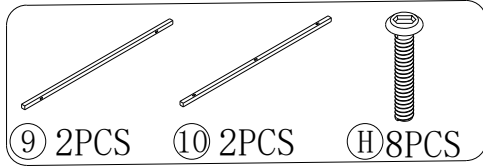


FTLFTS-0039

1



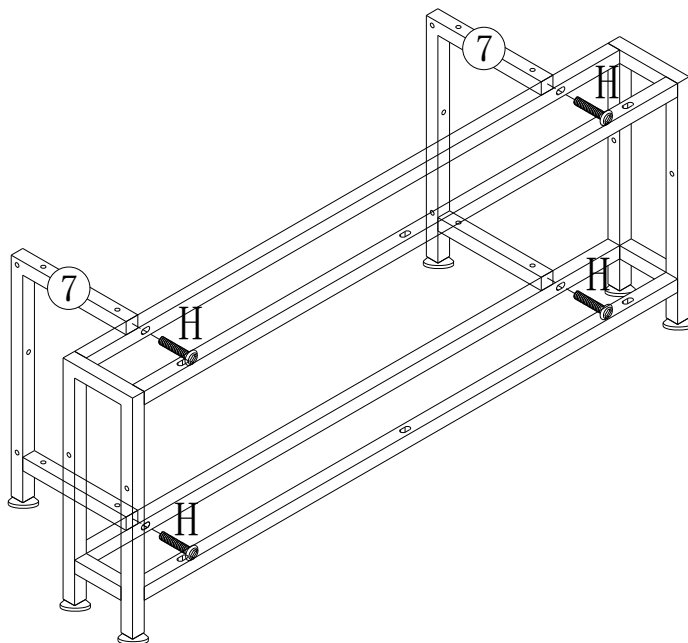
2



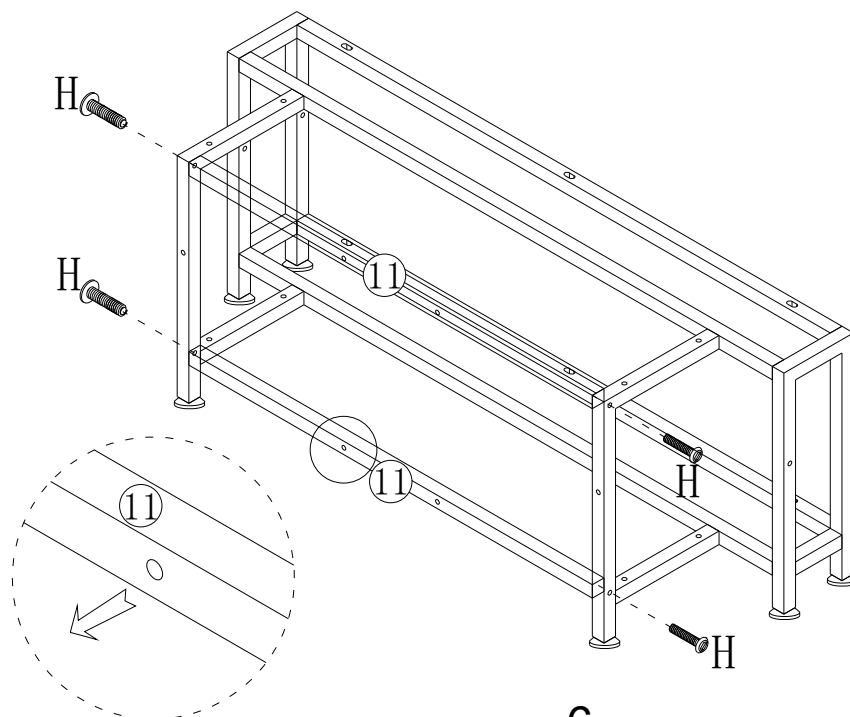
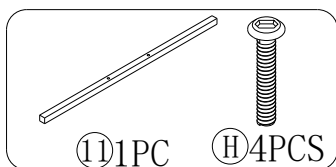
5

FTLFTS-0039

3



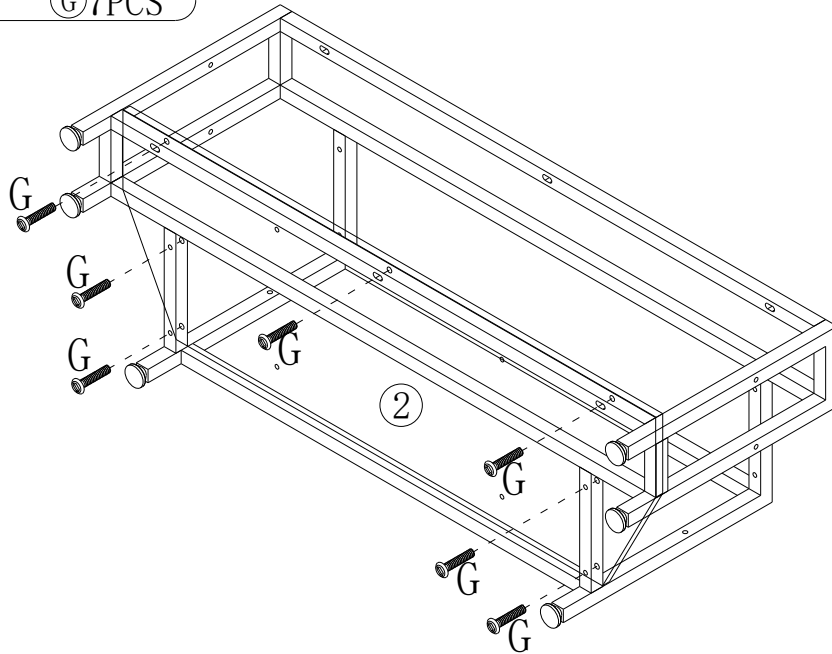
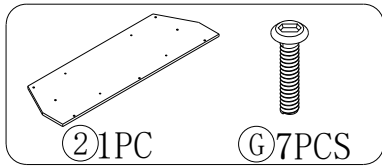
4



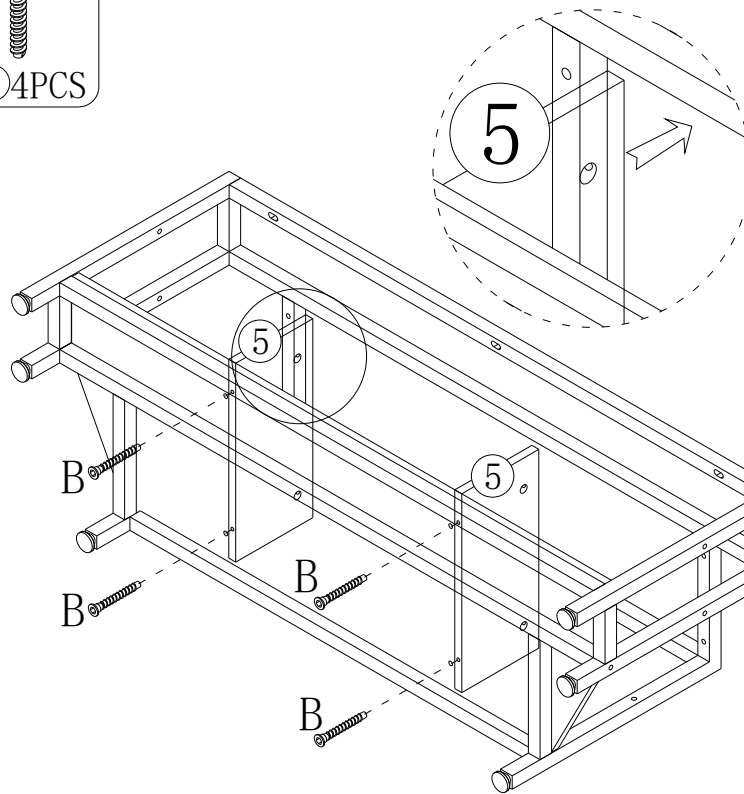
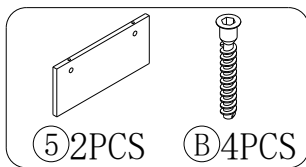
6

FTLFTS-0039

5



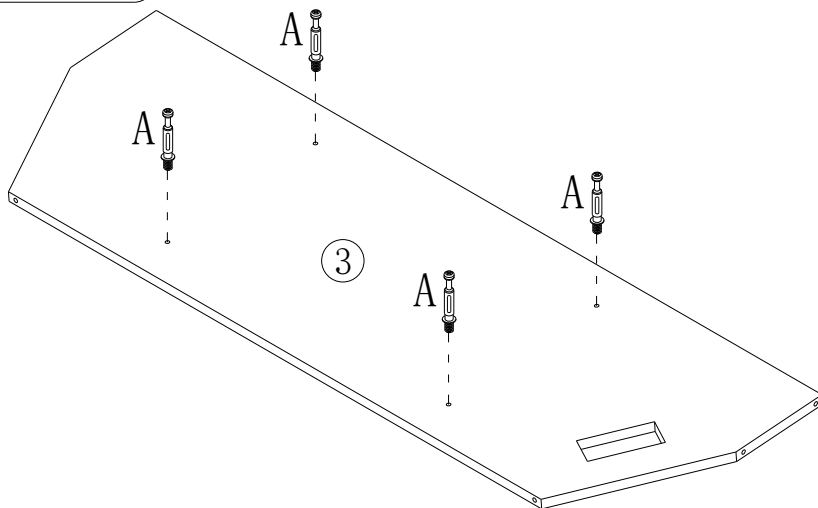
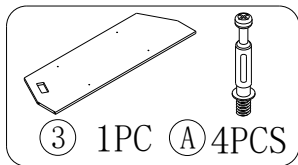
6



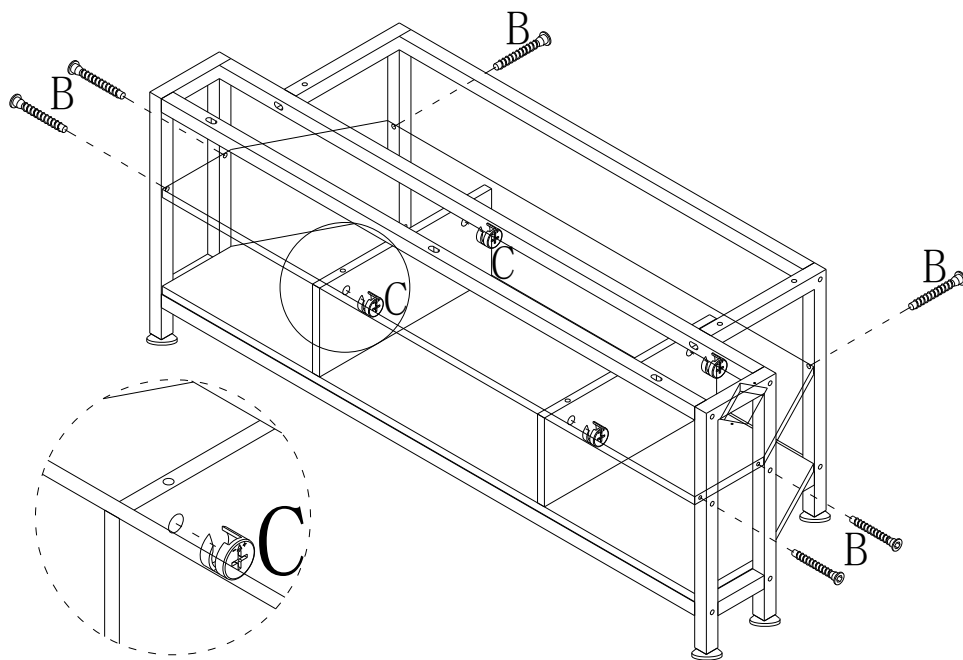
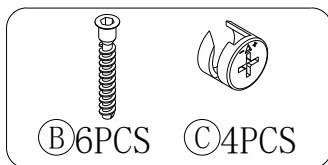
7

FTLFTS-0039

7



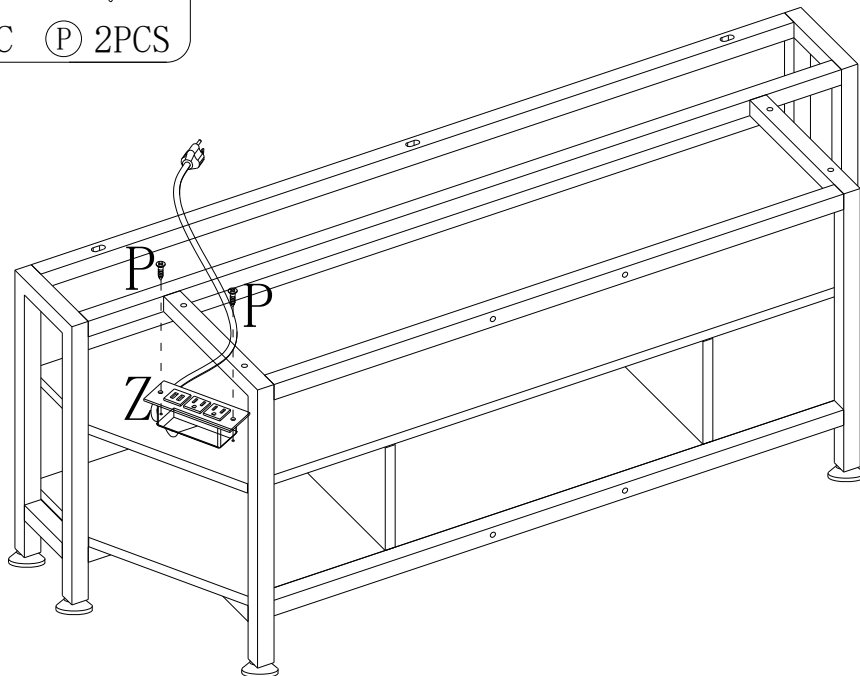
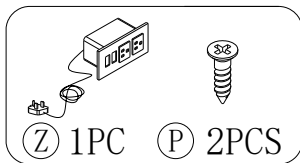
8



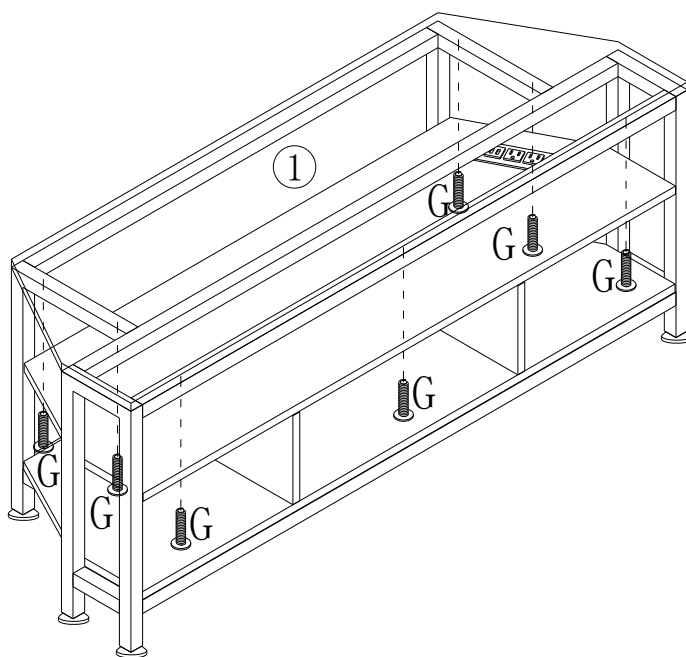
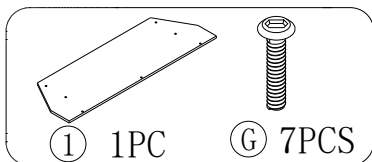
8

FTLFTS-0039

9



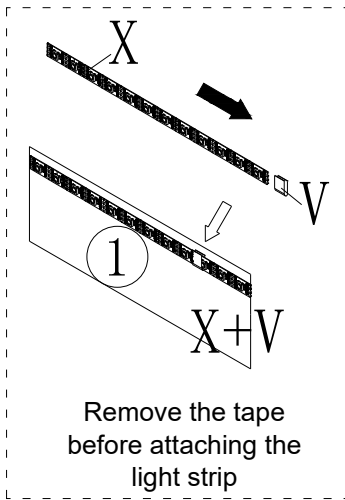
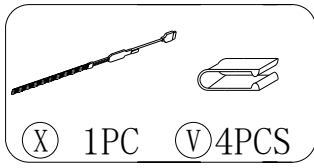
10



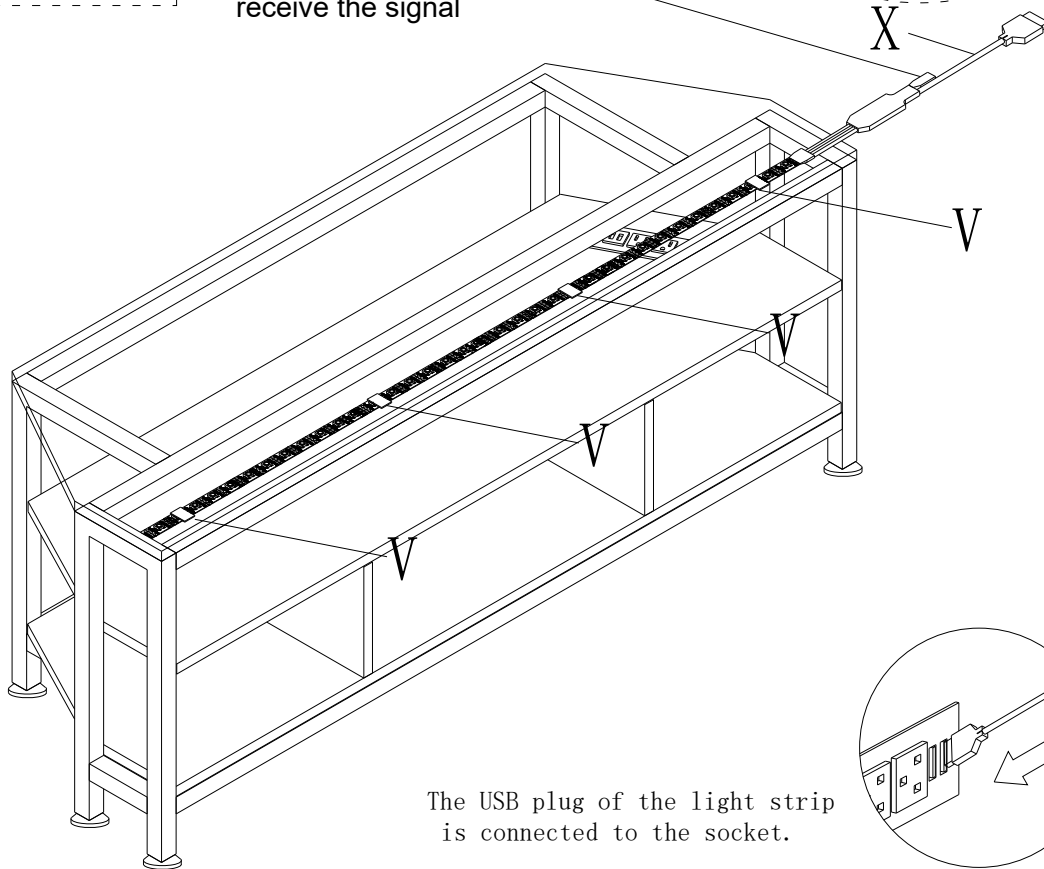
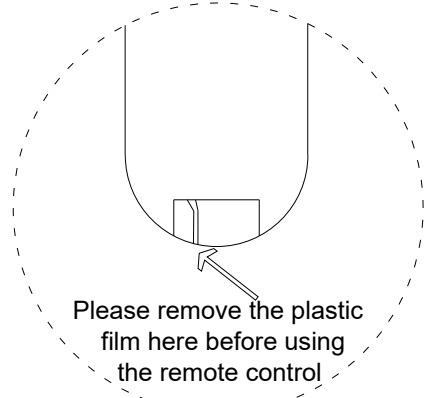
9

FTLFTS-0039

11

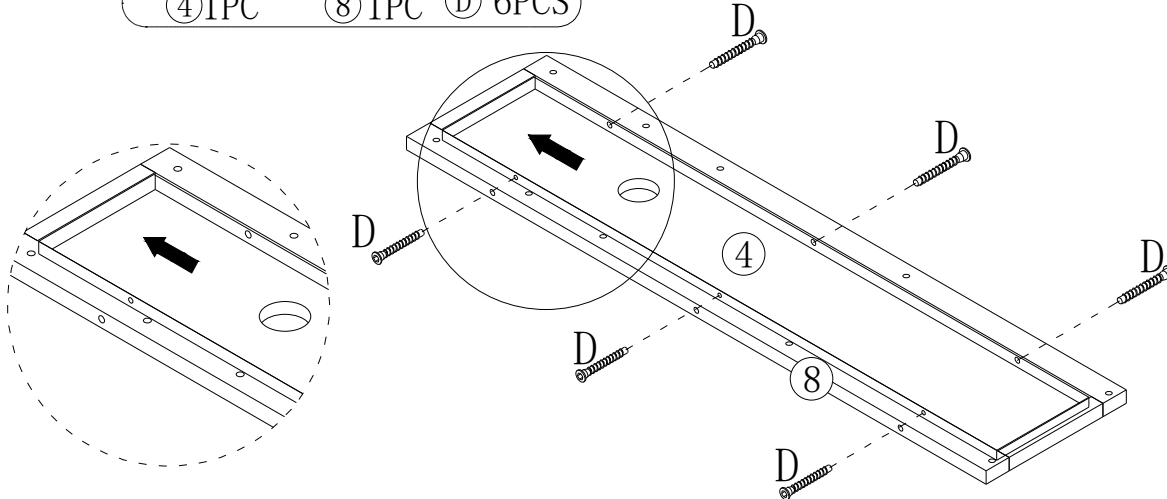
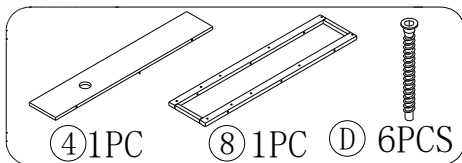


The infrared receiver must be placed in front to receive the signal

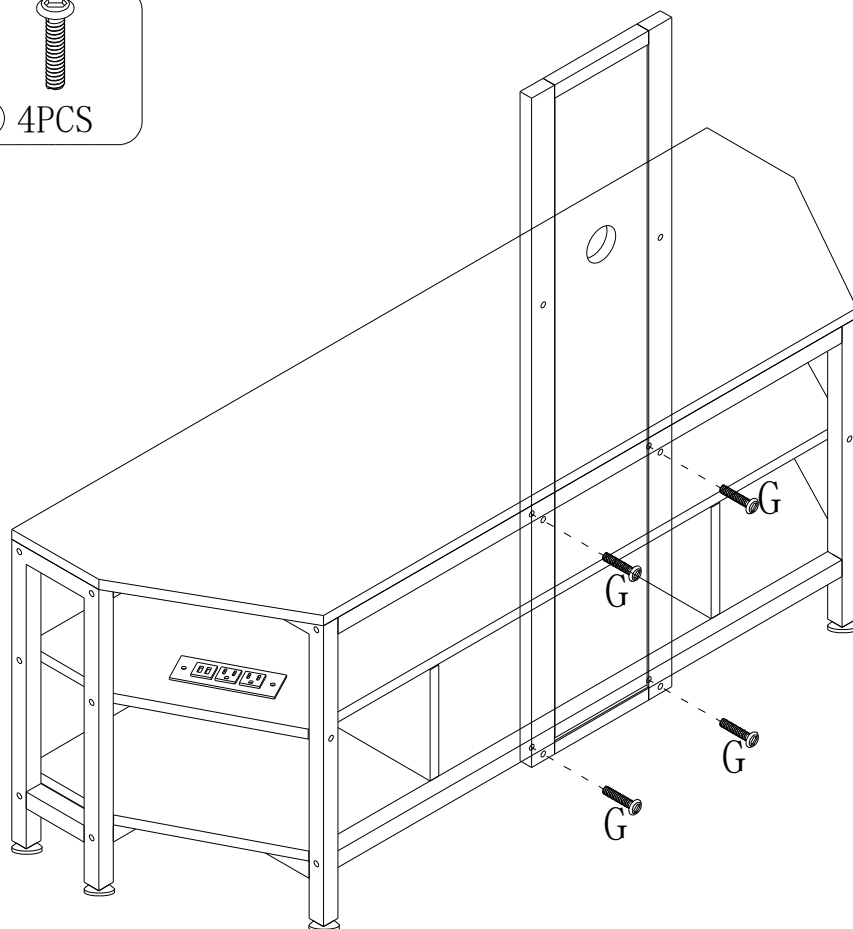
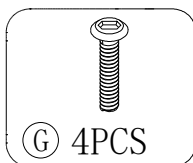


FTLFTS-0039

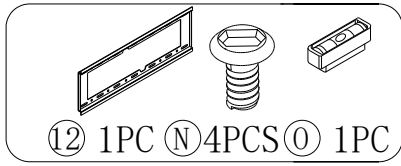
12



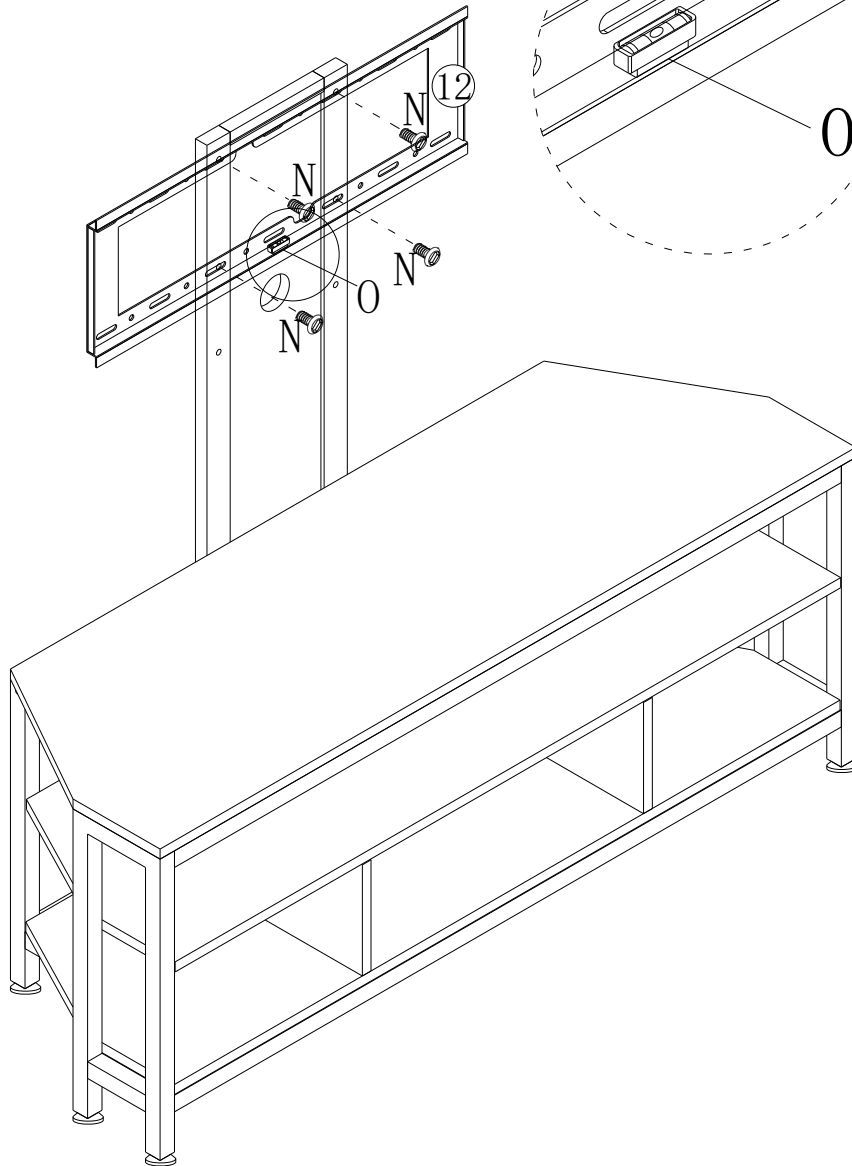
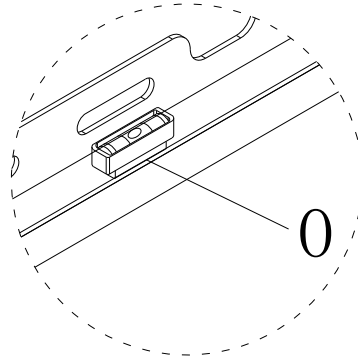
13



14

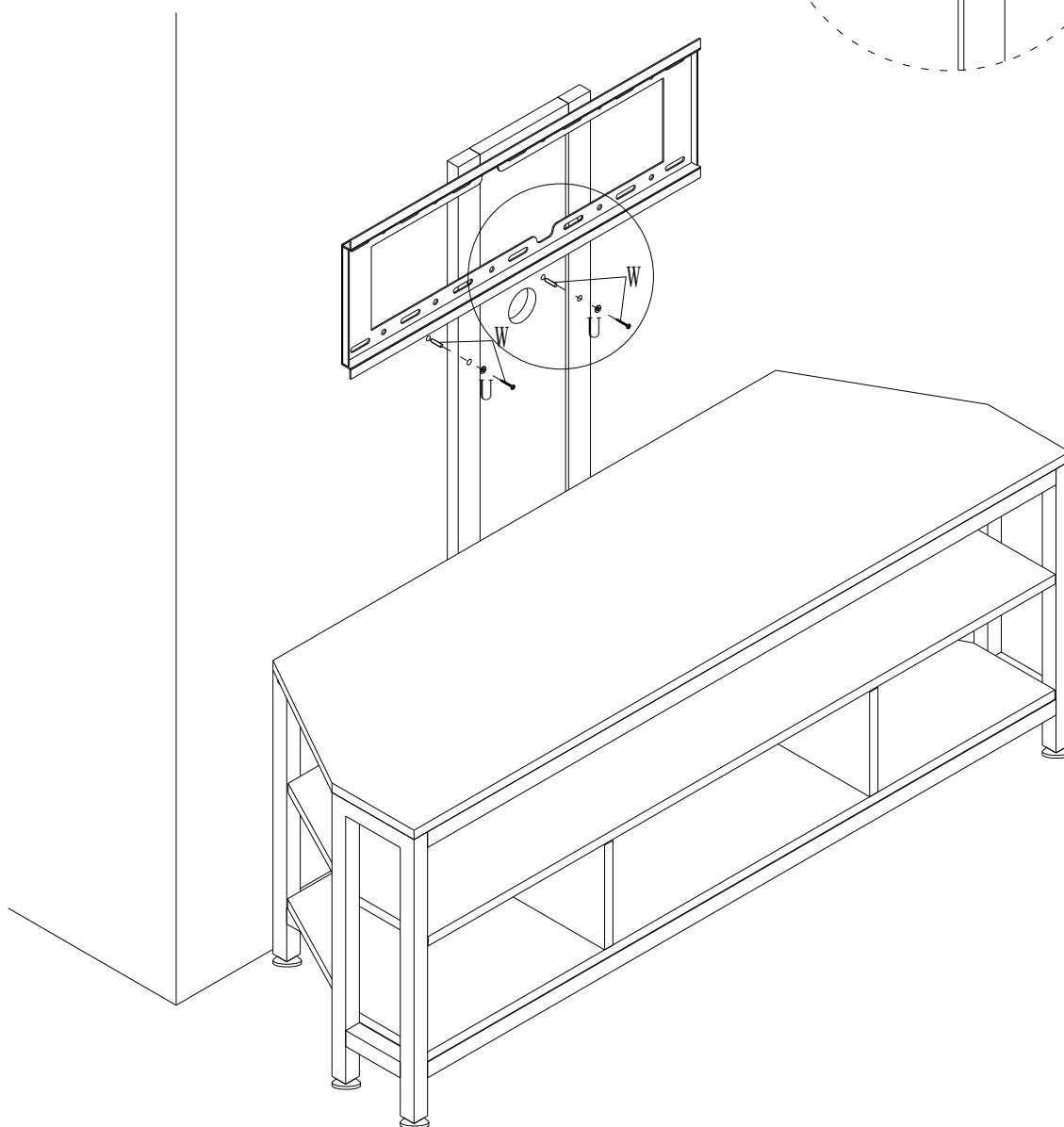
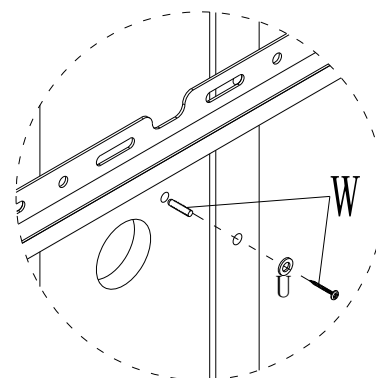
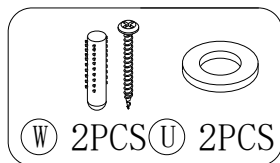


Level gauge for leveling



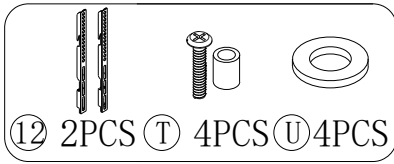
FTLFTS-0039

15

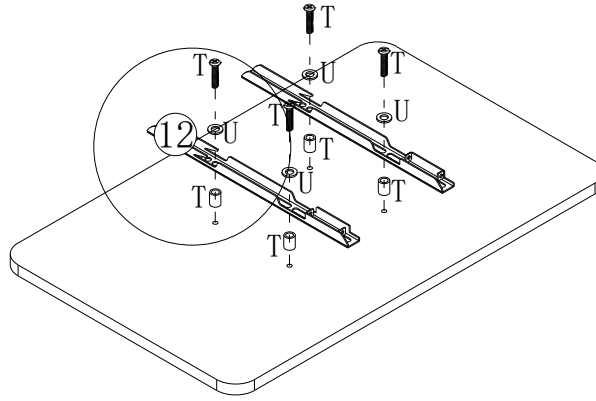
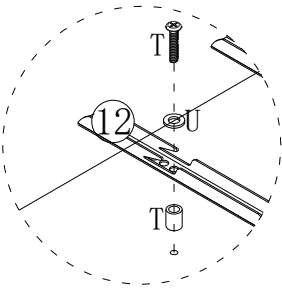


FTLFTS-0039

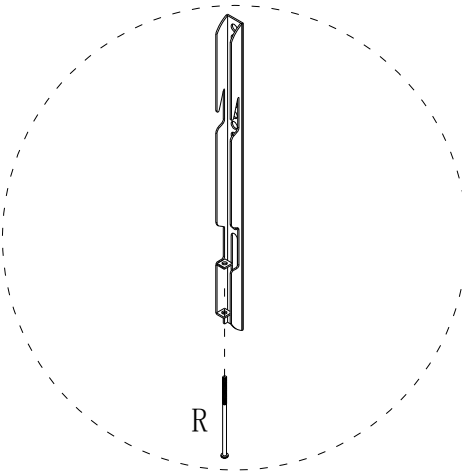
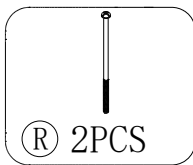
16



TV installation



17



Fix the TV on the bracket with screws and complete the installation steps

