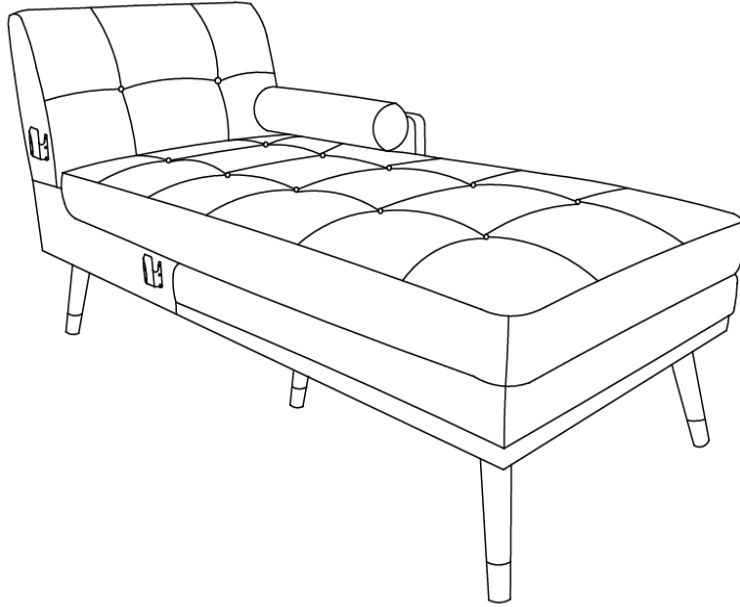


# Assembly Instructions

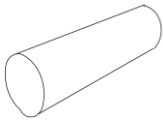


**Caution: You must read this before you proceed**

**Please look in seat for hardware packs and legs.**











## Parts List

Label	Picture	Description	QTY
A		Seat Base	1
B		Backrest	1
C		Seat Cushion	1
D		Right Arm Board	1

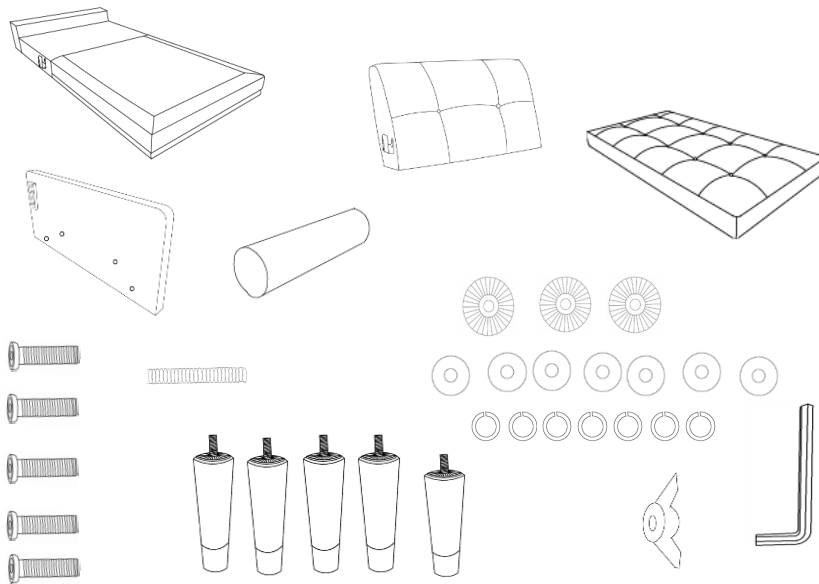
E		Arm Pillow	1
F		Middle Wooden Leg with 1 Plastic Gasket (23cm)	1
G		Wooden Leg with 1 Plastic Gasket (24cm)	4

## Hardware List

Label	Picture	Description	QTY
①		Bolt (M6*70mm)	5
②		Washer (φ30mm)	1
③		Washer (φ24mm)	6
④		Spring Washer	7
⑤		Double-threaded Bolt (M8*70mm)	1
⑥		Wing Nut	1
⑦		Allen Key	1
⑧		Plastic Gasket	3

# Assembly Preparation

Before Beginning Assembly:



- Read instructions, cover to cover-



- Have 2 adults on hand for assembly-



- Do not assemble on flooring or carpet-

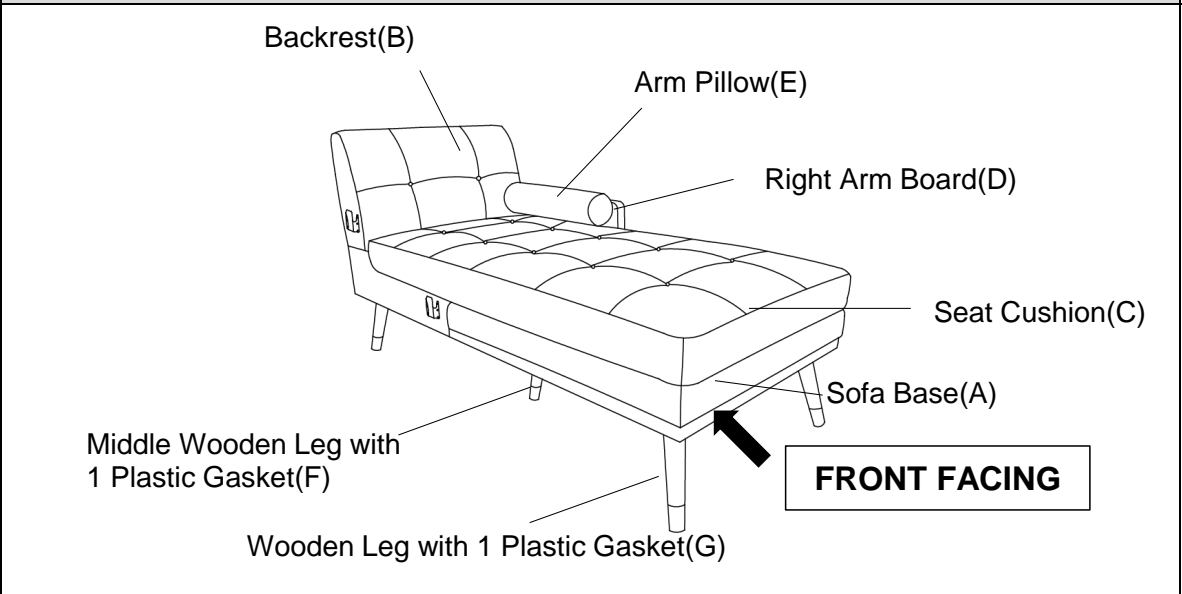


- Assemble on a clean non-marring surface (packing foam)-



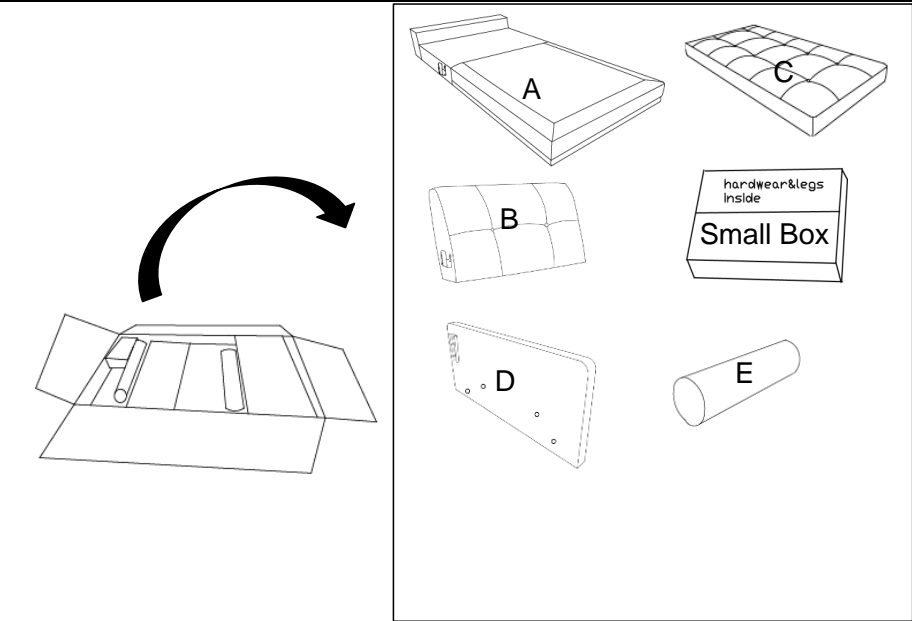
- Save all packaging until finished-

# Assembly Steps



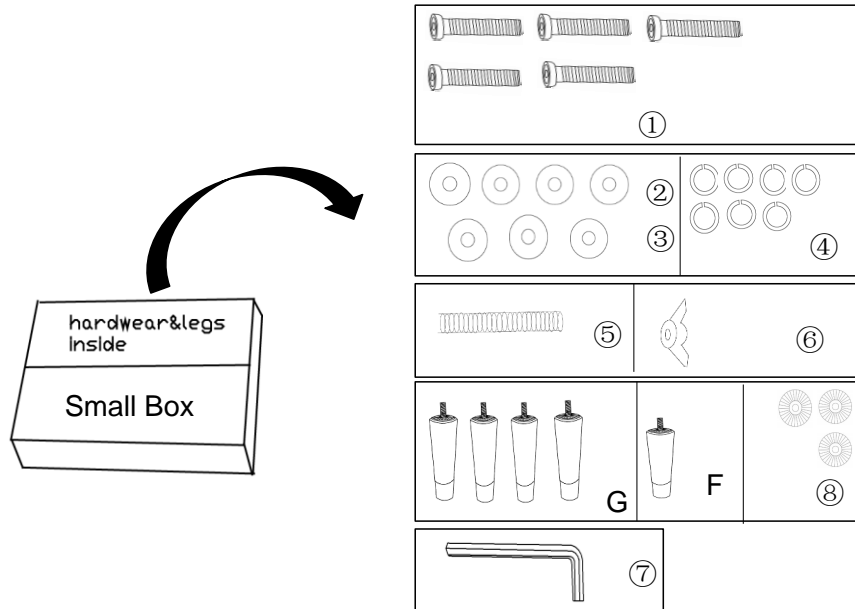
This Sofa has multiple parts and may require about 30 minutes to assemble. To give you an overview of the Sofa parts, the above picture is to help you put the various parts into perspective. Please read through the instructions below to familiarise yourself with the parts and steps before assembly.

## Step 1



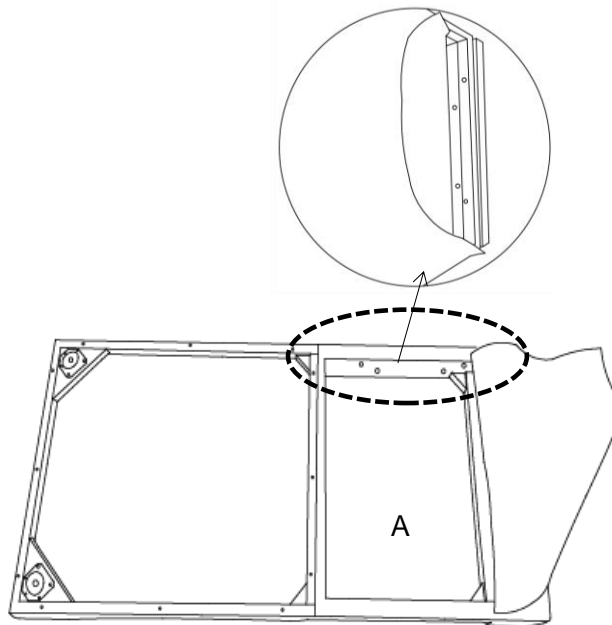
Take the Seat Base(A), Backrest(B), Seat Cushion(C), Right Arm Board(D), Arm Pillows(E) and Small Box out from the carton and place them on a clean, non-marring surface.

## Step 2



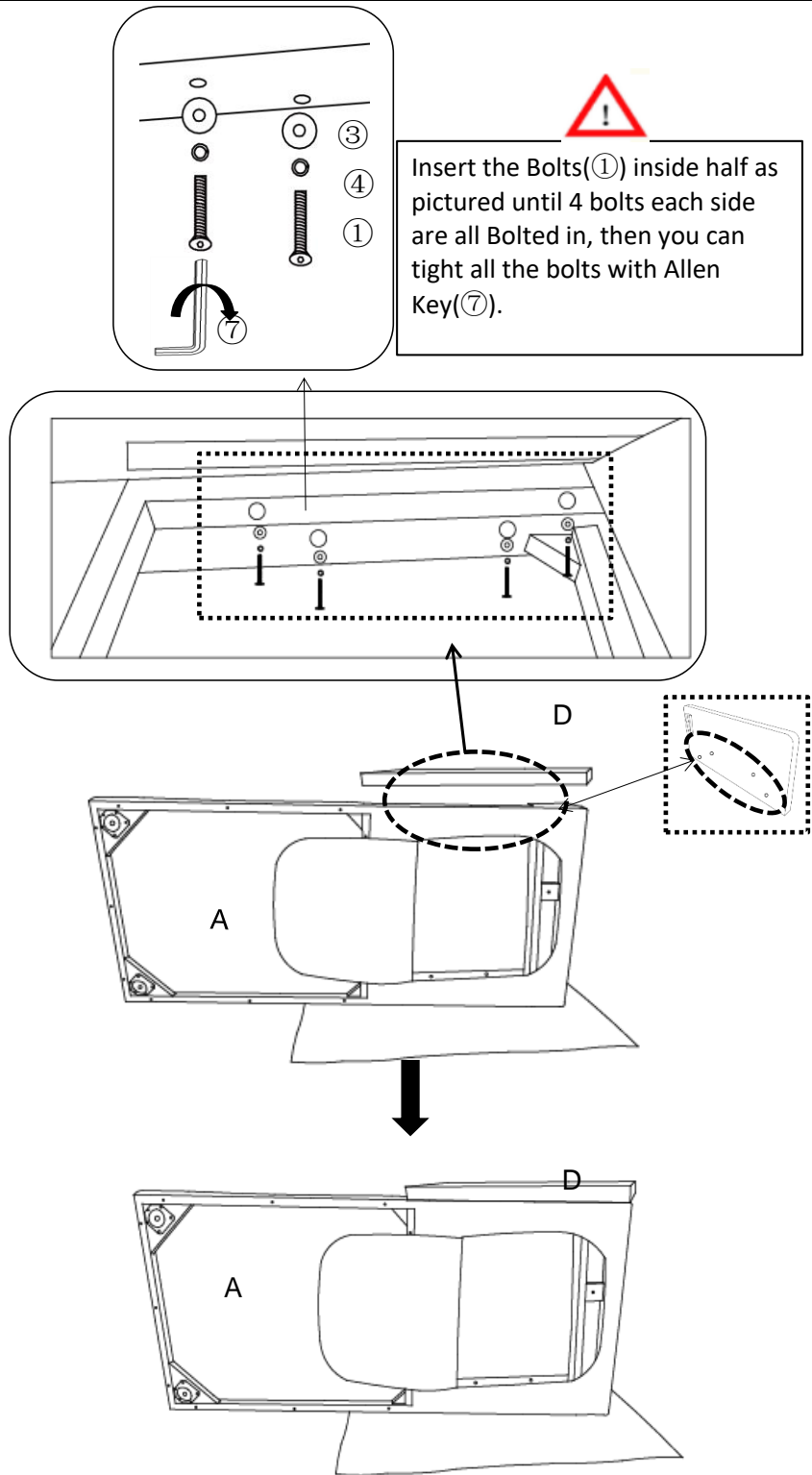
Open the Small Box and take out the Middle Wooden Leg with 1 Plastic Gasket(F), Wooden Leg with 1 Plastic Gasket(G), Plastic Gaskets(⑦), Bolts(①), Big Washers(②), Small Washer(③), Spring Washers(④), Double-threaded Bolts(⑤), Wing Nuts(⑥), Allen Key(⑦) and Plastic Gasket(⑧).

## Step 3



Carefully peel back the on-woven cover under the Seat Base(A) to expose the mounting positions as Circled.

## Step 5



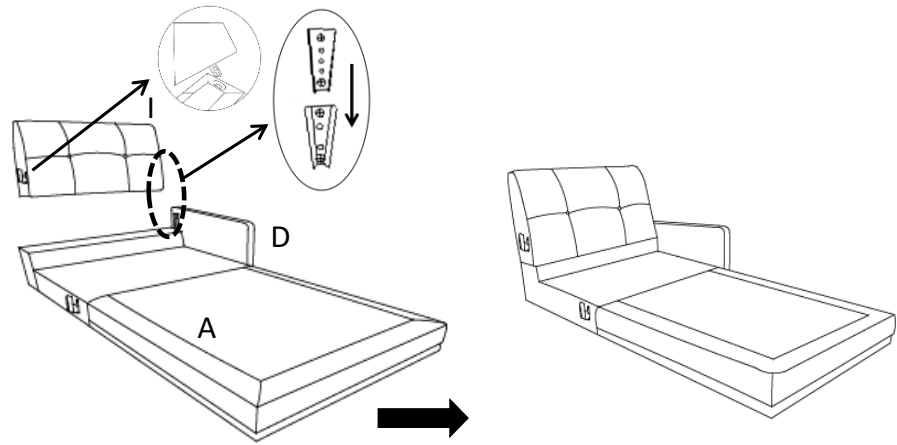
Align Right Arm Board(D) on the right side of the Seat Base(A).

Attach Right Arm Board(D) to Seat Base(A) using Bolts(①) Spring Washers(④) and Washers(③) with Allen Key(⑦).

**Tighten the Bolts fully in a sequential manner.**

**Note: To install the Right Arm Board(D), place the seat frame on the soft pad.**

### Step 6

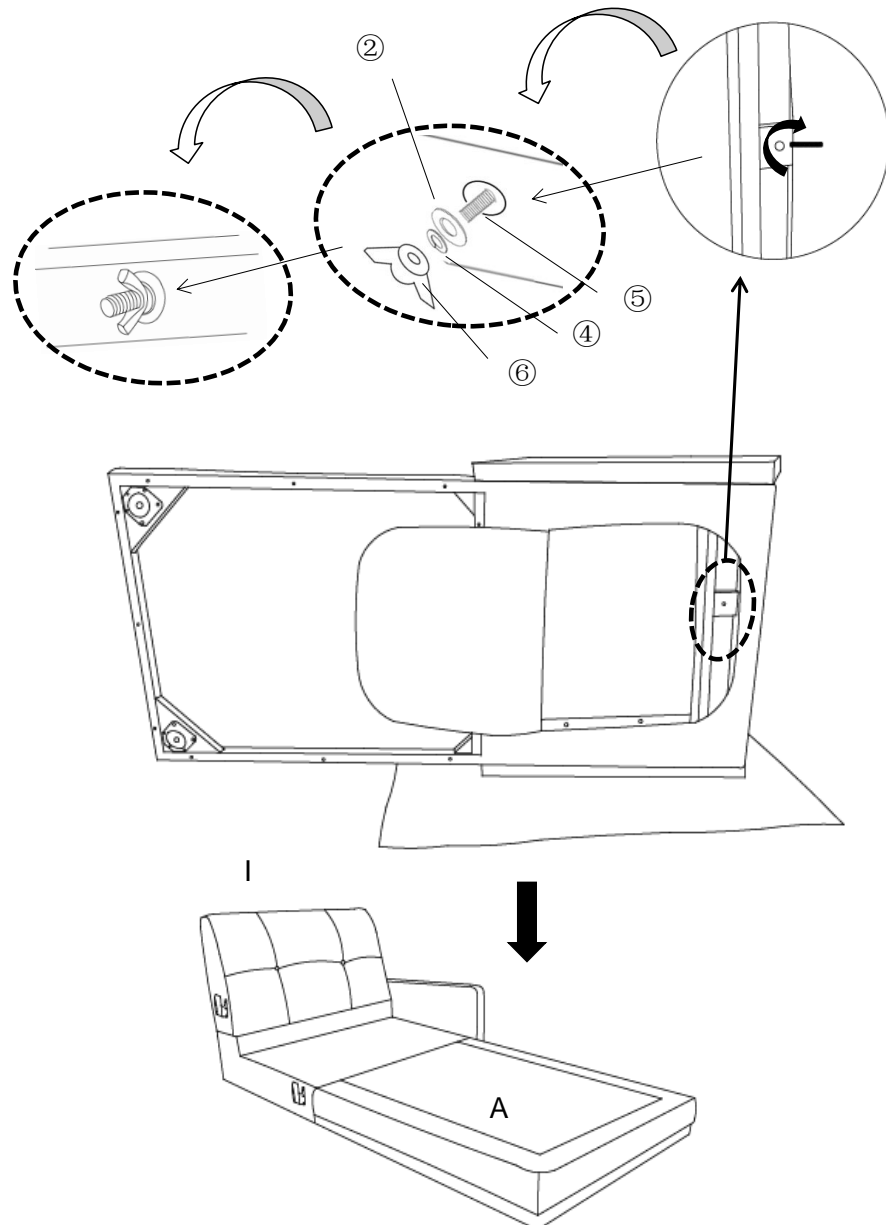


With assistance from your adult partner, hold up the Backrest(B), while standing behind the Seat Base(A).

Align the mounting bracket on the right side of the Backrest(B) with this on the Right Arm Board(D).

Then slide Backrest(B) downwards by hand to make sure it locks into place as pictured.

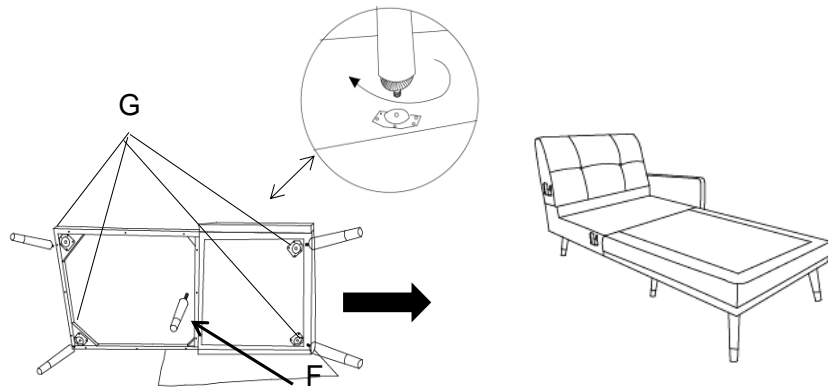
### Step 7



Open the on-woven cover under Seat Base(A).  
 You will see the Double-threaded Bolts(⑤) come out from the mounting positions on the hind-top panel of the Seat Base(A).  
 Insert Double-threaded Bolts(⑤) into mounting positions and turning clockwise by hand until 1/3 inside.  
 Then, place Washer Ring(②) and Spring Washer(④) onto the Double-threaded Bolt(⑤) and secure using Wing Nut(⑥).

**Tighten Wing Nuts fully by turning it clockwise by hand in a sequential manner, then close the back non-woven cover under Seat Base(A) with Velcro.**

**Step 8**

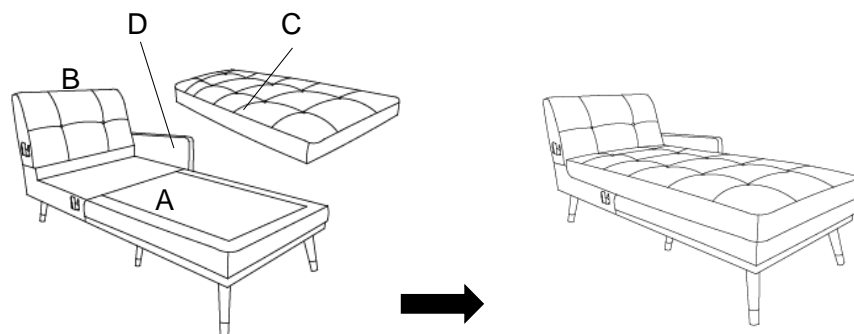


Install the Wood Legs with 1 Plastic Leg(G) and Middle Wood Legs with 1 Plastic Leg(F) at the bottom of Seat Base(A)  
 Tighten by turning the Leg clockwise.

**1.Note: The use of Gaskets are OPTIONAL and are especially useful to help alleviate slight wobbleness. Some Legs may need more than one Gasket whilst some Legs may not need any.**

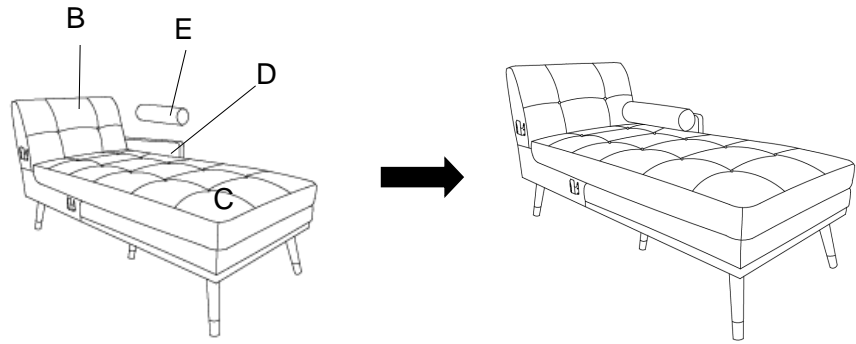
**2.Note: The Middle Wood Legs with 1 Plastic Leg(F) is shorter than other Wood Legs with 1 Plastic Leg(G), and is used in the middle of the seat frame.**

**Step 9**

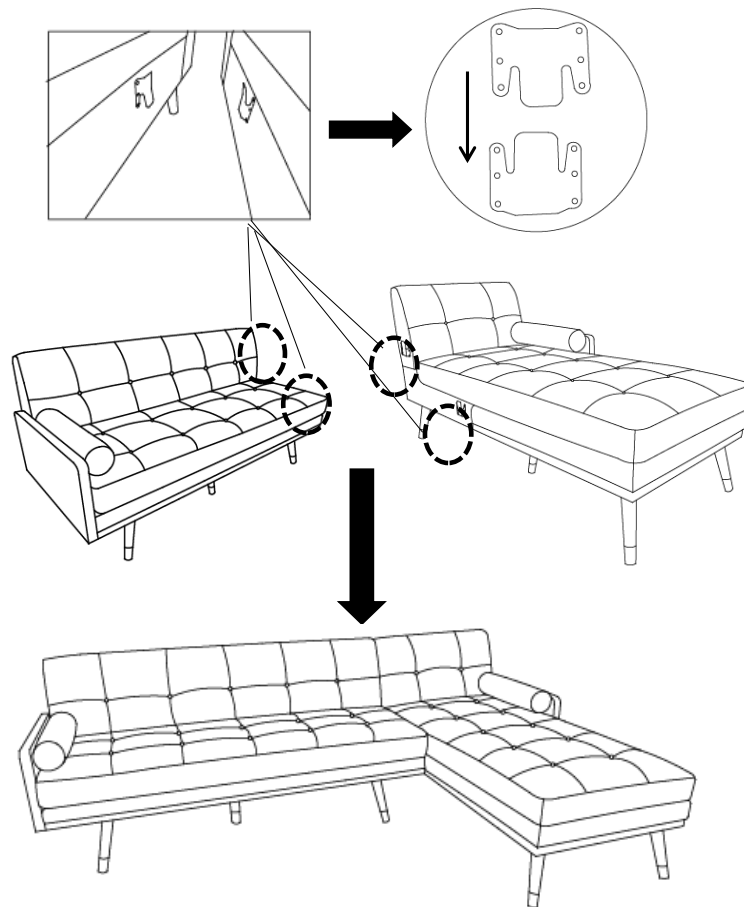


Put the Seat Cushion(C) on the Seat Base(A).

**Step 10**























Place Arm Pillows(E) on the Seat Cushion(C) against Right Arm Board(D)  
Your RHF Chaise is ready for use.  
This Chaise can only be used on a flat, level surface.



Connect the LHF Sofa and RHF Chaise by intersecting the metal Brackets as pictured( this process until finish the assemble of RHF Chaise)  
Your Sectional is ready for use.  
This Sectional can only be used on a flat, level surface.

## Care & Maintenance

-   ● Do not put hot items directly on furniture surface
  -   ● Do not clean furniture with harsh cleansers or polish.
  -   ● Do not place furniture under direct sunlight.
  -   ● Do not place furniture near heating or cooling vents.
  -   ● Do not write on furniture without a padded barrier to protect the surface.
  -   ● Do not place furniture outside . For indoor use only .
  -   ● Not for commercial use. For residential use only .
  -   ● Stains may be removed with mild soap solution and damp cloth.
  -   ● Children should not climb or jump on the furniture.
- 
-   ● Dust and pick-up spills using a clean, non-colored, lint-free cloth .

### Questions & Answers about Proposition 65

#### • What is Proposition 65?

Proposition 65 requires businesses to provide warnings to Californians about significant exposures to chemicals that cause cancer, birth defects or other reproductive harm. These chemicals can be in the products that Californians purchase, in their homes or workplaces, or that are released into the environment. By requiring that this information be provided, Proposition 65 enables Californians to make informed decisions about their exposures to these chemicals.

Proposition 65 also prohibits California businesses from knowingly discharging significant amounts of listed chemicals into sources of drinking water.

Proposition 65 requires California to publish a list of chemicals known to cause cancer, birth defects or other reproductive harm. This list, which must be updated at least once a year, has grown to include approximately 900 chemicals since it was first published in 1987.

#### • What types of chemicals are on the Proposition 65 list?

The list contains a wide range of naturally occurring and synthetic chemicals that include additives or ingredients in pesticides, common household products, food, drugs, dyes, or solvents. Listed chemicals may also be used in manufacturing and construction, or they may be byproducts of chemical processes, such as motor vehicle exhaust.

#### • What does a warning mean?

If a warning is placed on a product label or posted or distributed at a workplace, a business, or in rental housing, the business issuing the warning is aware or believes that it is exposing individuals to one or more listed chemicals.

By law, a warning must be given for listed chemicals unless the exposure is low enough to pose no significant risk of cancer or is significantly below levels observed to cause birth defects or other reproductive harm.

#### • Where can I get more information on Proposition 65?

If you have specific questions on the administration or implementation of Proposition 65, you can contact OEHHA's Proposition 65 program at [P65.Questions@oehha.ca.gov](mailto:P65.Questions@oehha.ca.gov), or by phone at (916) 445-6900.