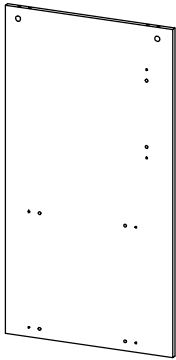


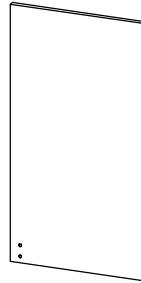
Ax1



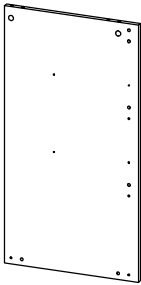
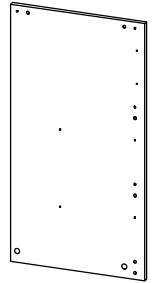
Bx1



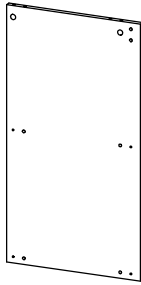
Cx1



Dx1



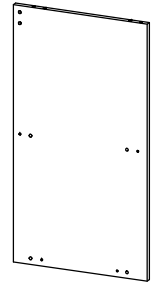
Ex1



Fx1



Gx1



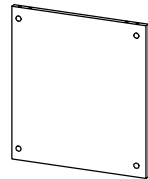
$$\frac{734 \times 471.5}{28.9 \times 18.6}$$

Hx1



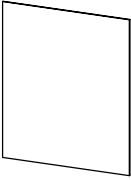
$$\frac{734 \times 349}{28.9 \times 13.7}$$

lx1



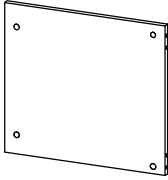
$$\frac{442.5 \times 400}{17.4 \times 15.7}$$

Jx2



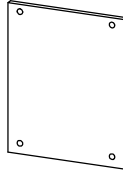
$\frac{416.5 \times 350}{16.4 \times 13.8}$

Kx2



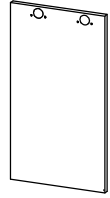
$\frac{442.5 \times 400}{17.4 \times 15.7}$

Lx1



$\frac{400 \times 320}{15.7 \times 12.6}$

Mx1



$\frac{472.5 \times 260}{18.6 \times 10.2}$

Nx1



$\frac{472.5 \times 200}{18.6 \times 7.9}$

Ox2



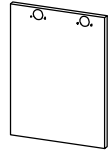
$\frac{350 \times 200}{13.8 \times 7.9}$

Px2



$\frac{350 \times 294}{13.8 \times 11.6}$

Qx2



$\frac{350 \times 260}{13.8 \times 10.2}$

Rx1



Sx1



$\frac{442.5 \times 70}{17.4 \times 2.8}$

Tx1



$\frac{442.5 \times 70}{17.4 \times 2.8}$

Ux2



Vx1



$\frac{416.5 \times 90}{16.4 \times 3.5}$

Wx2



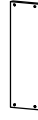
335x90
13.2x3.5
Xx8



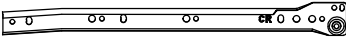
320x70
12.6x2.8
Yx1



320x70
12.6x2.8
Zx2



294x90
11.6x3.5
AAx2



CRx4



CLx4



DLx4



DRx4



ABx71



ACx71



ADx53



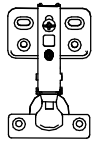
AEx4



AFx102



AGx4



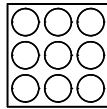
AHx4



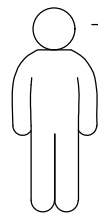
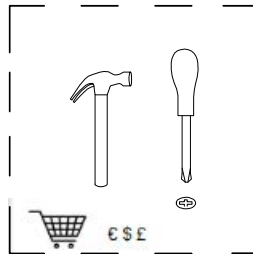
M3.5x $\frac{12}{0.5}$
Alx48



M3.5x $\frac{15}{0.6}$
Ajx24



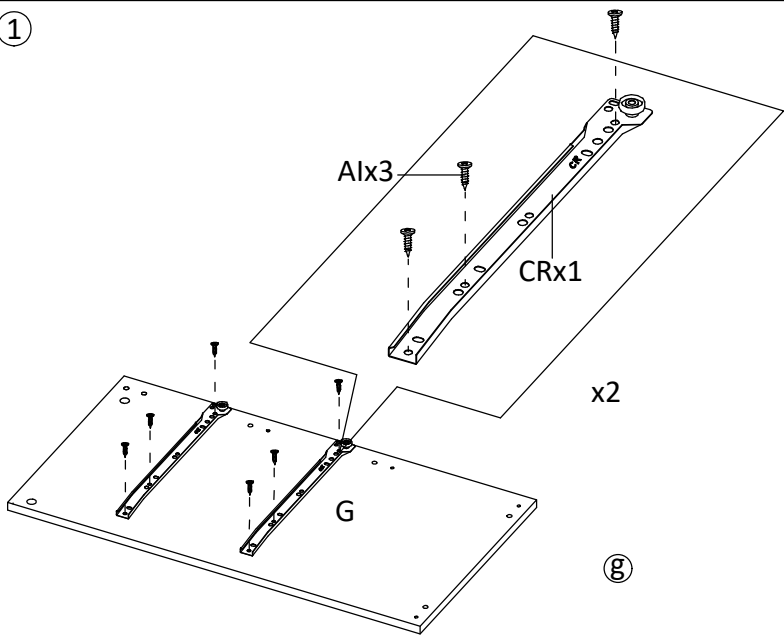
AKx8



mm
inch

x2

1



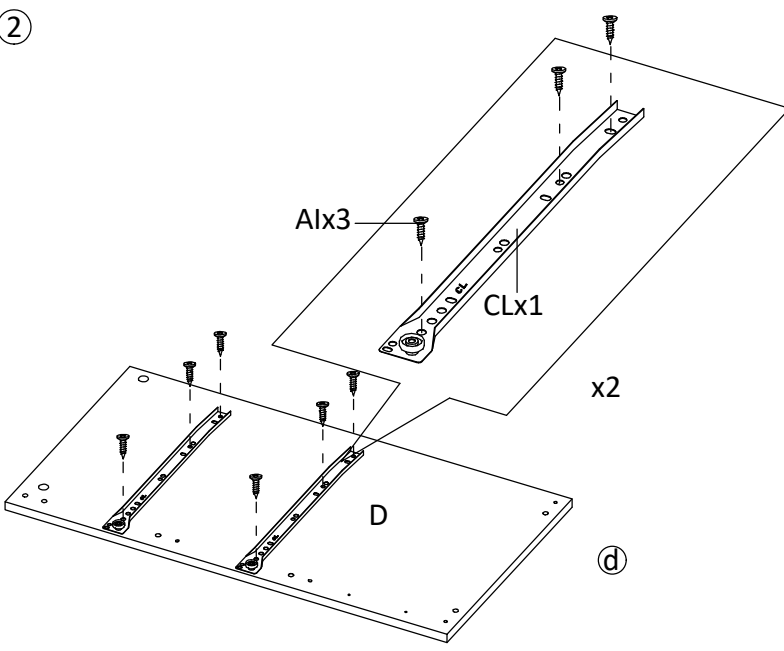
AIx6



CRx2



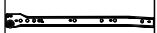
2



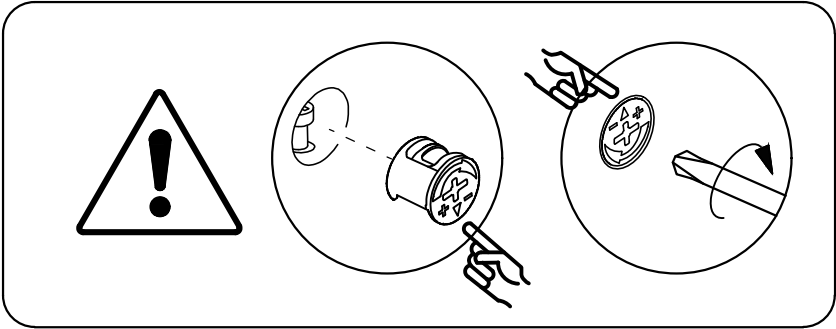
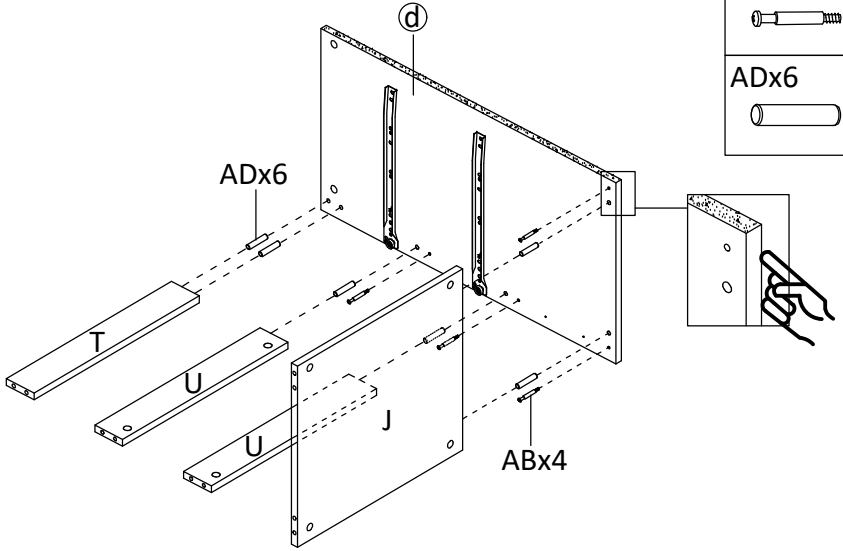
AIx6



CLx2

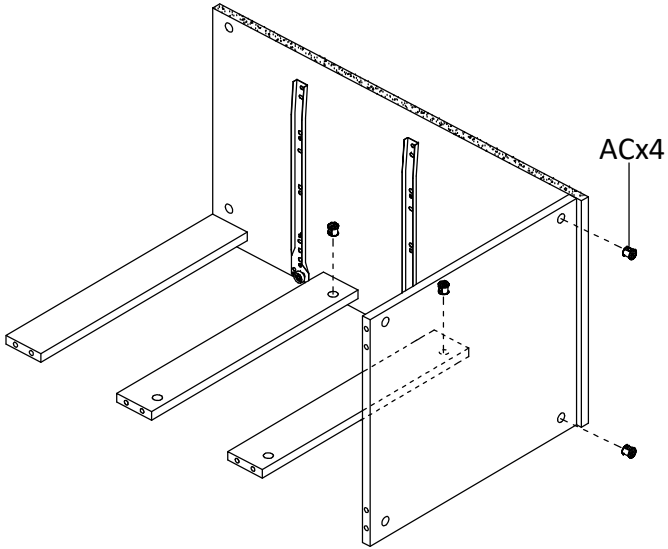


3



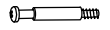
4

ACx4

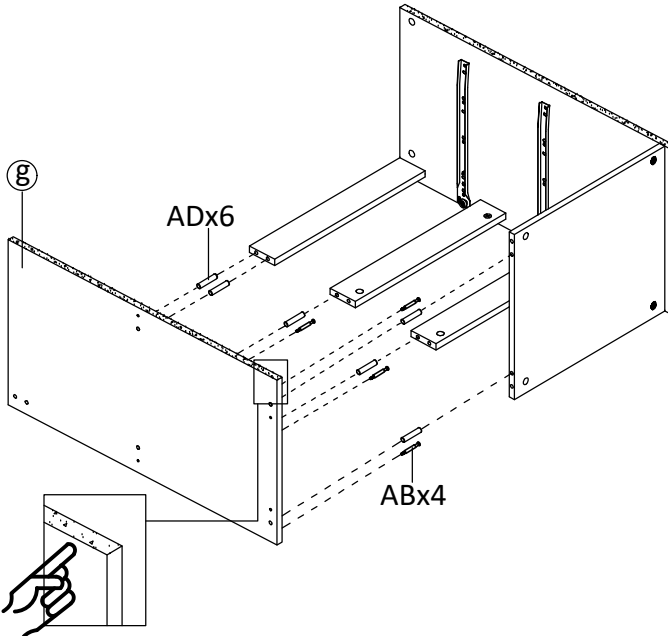
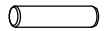


5

ABx4

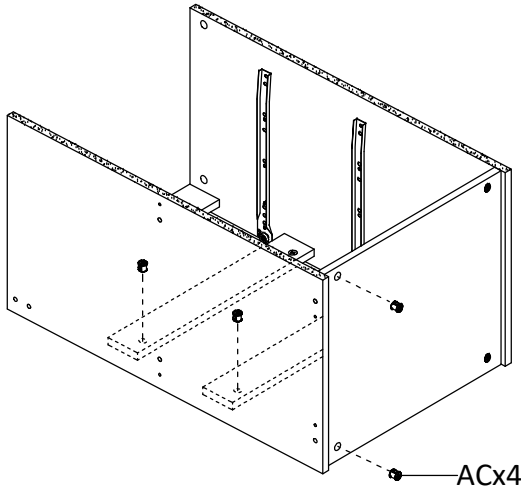


ADx6



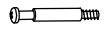
6

ACx4

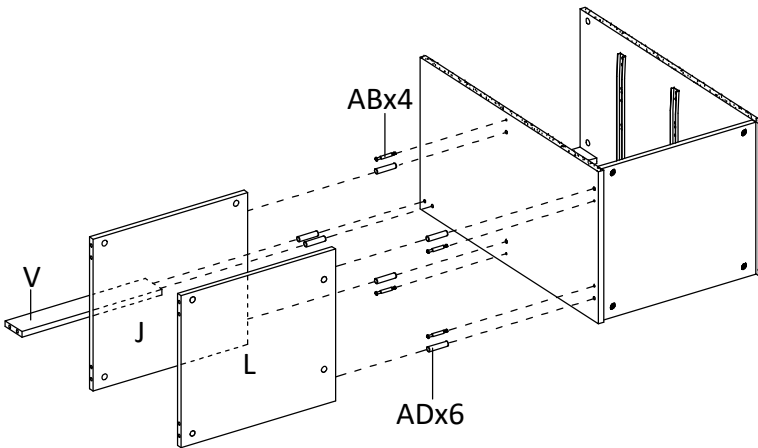
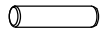


7

ABx4

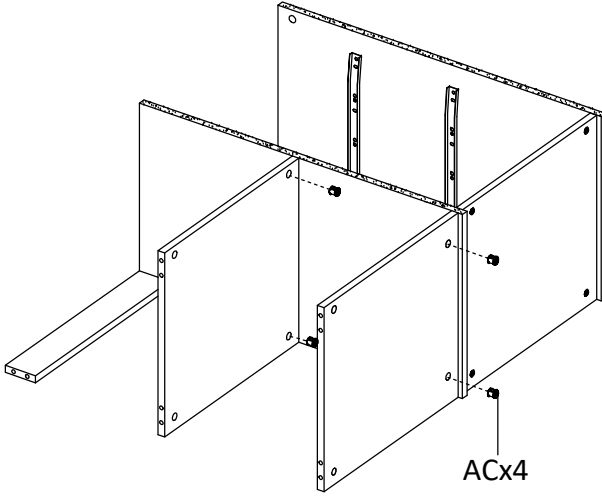


ADx6



8

ACx4

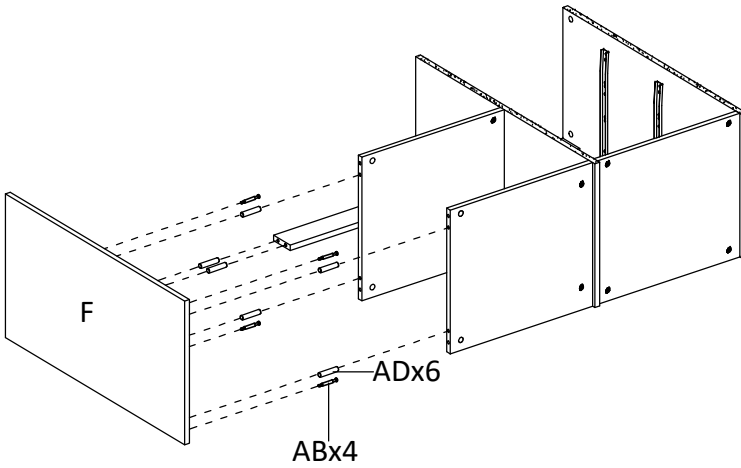


9

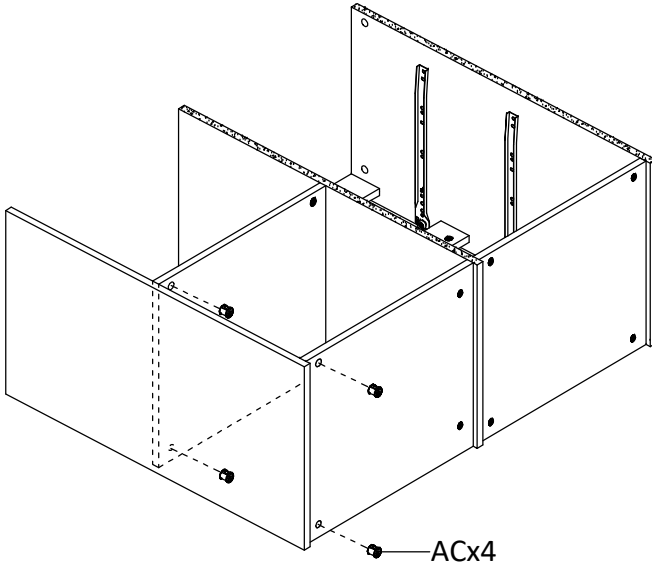
ABx4



ADx6



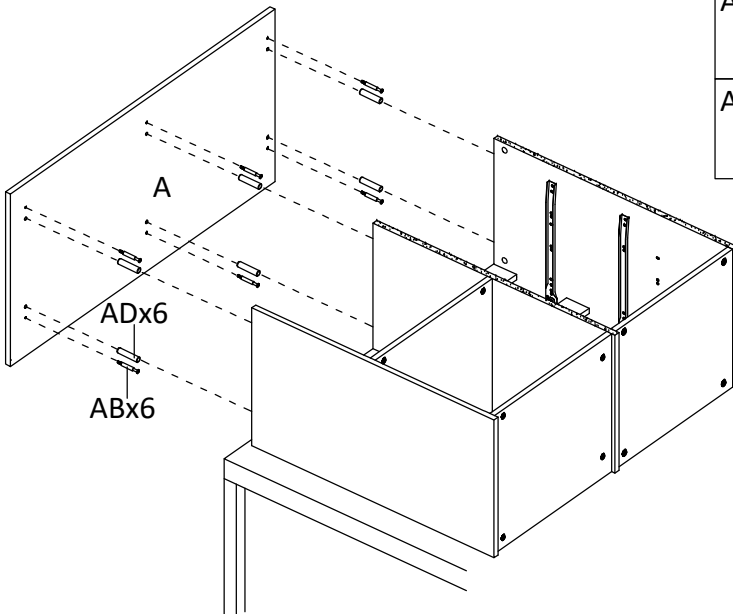
10



ACx4



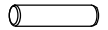
11



ABx6

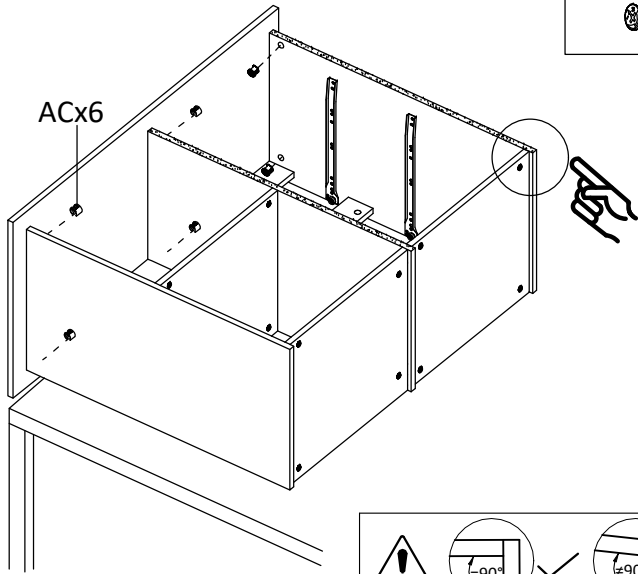


ADx6



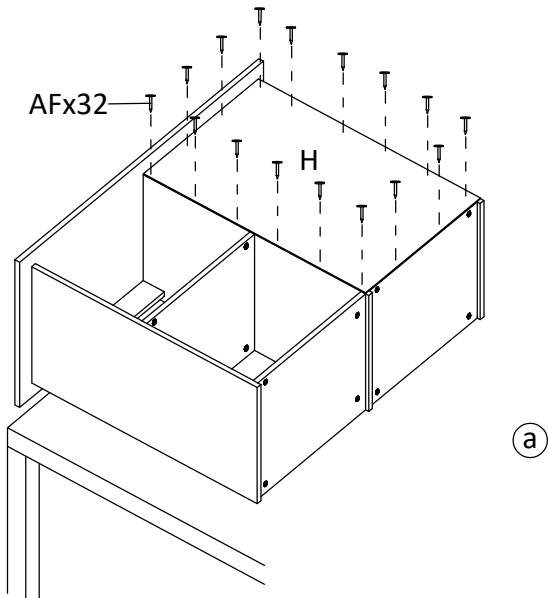
12

ACx6

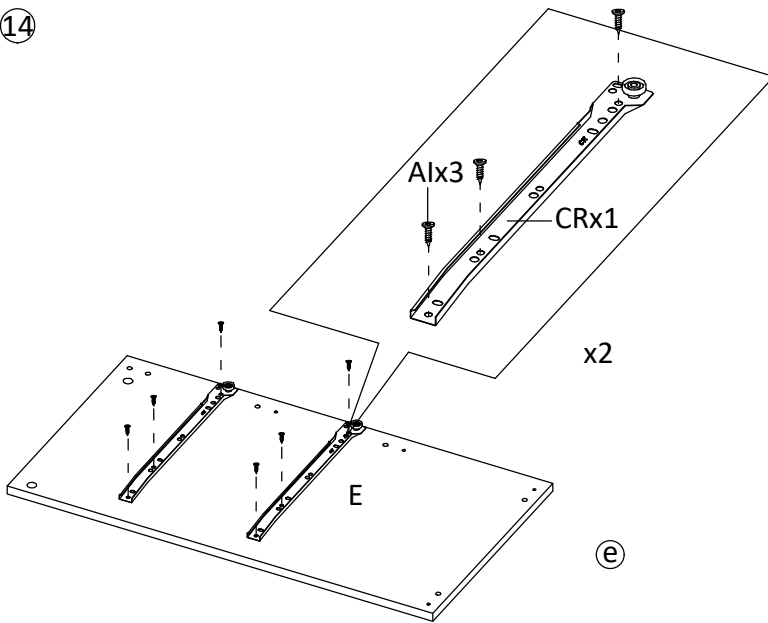


13

AFx32



14



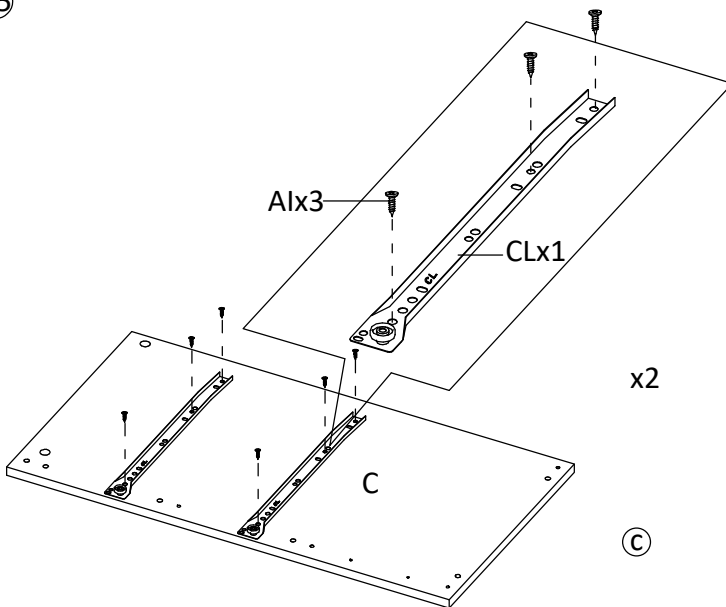
AIx6



CRx2



15



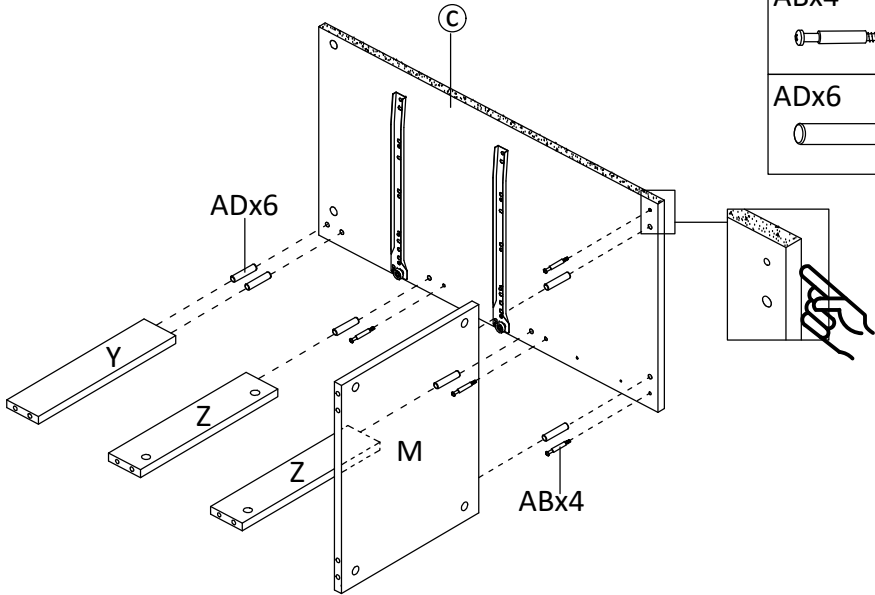
AIx6



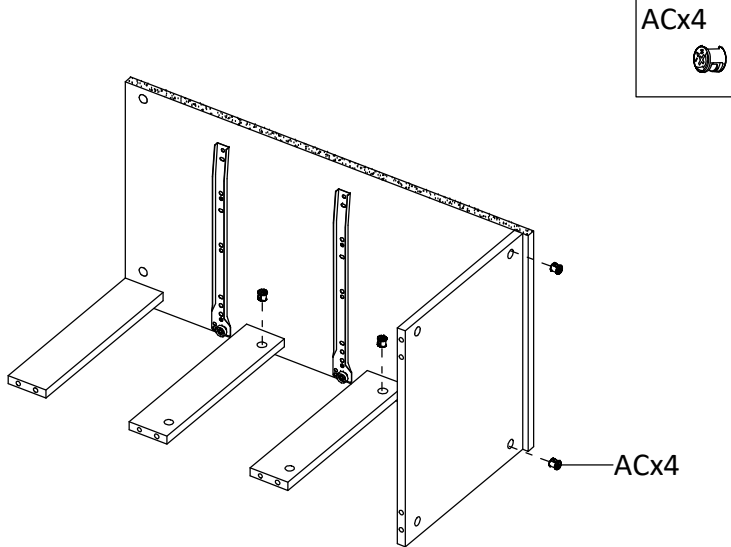
CLx2



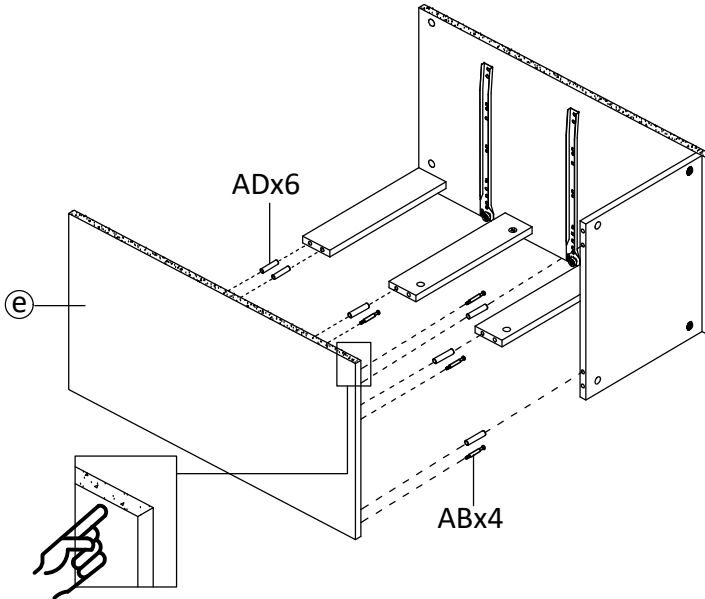
16



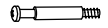
17



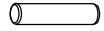
18



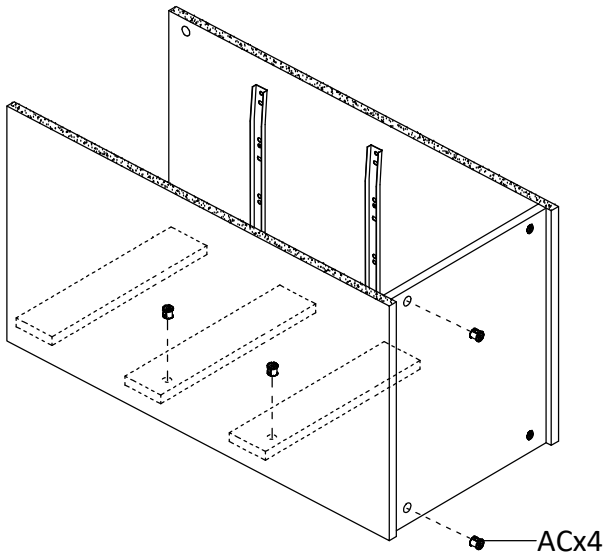
ABx4



ADx6



19

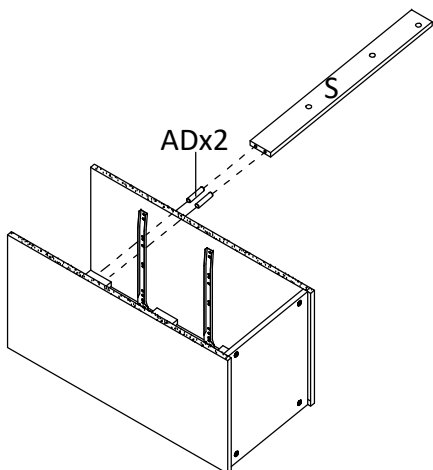


ACx4

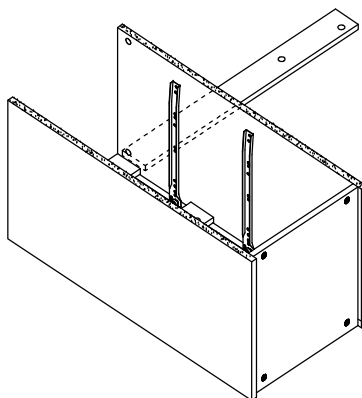


20

ADx2



21

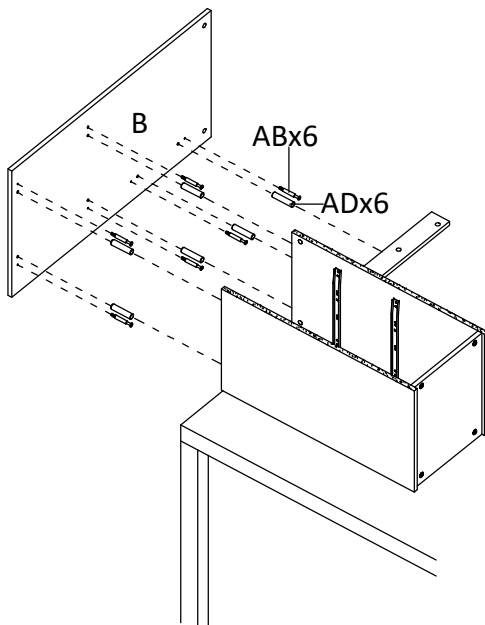


22

ABx6

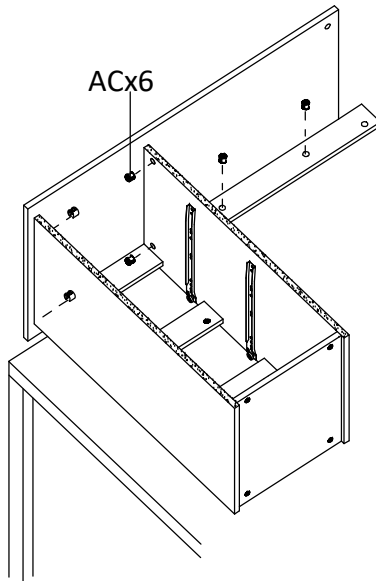


ADx6



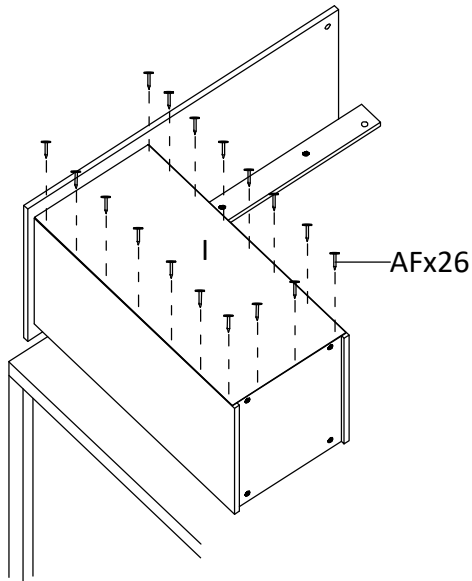
23

ACx6



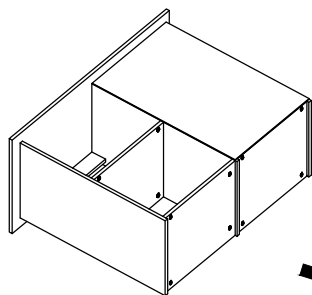
24

AFx26

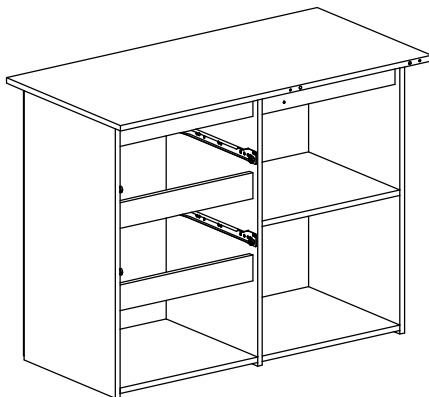
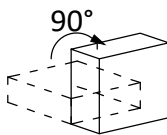


(b)

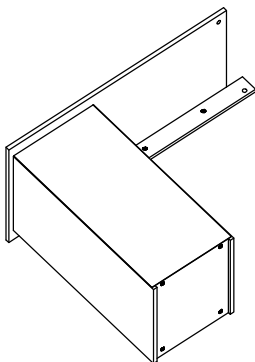
25



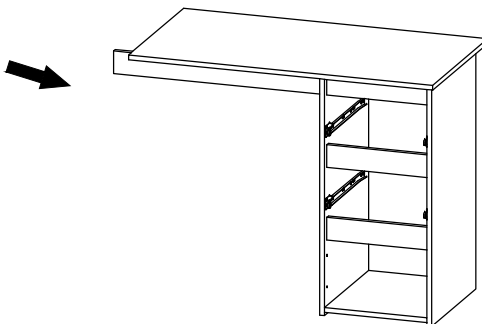
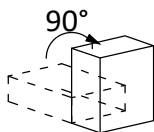
a



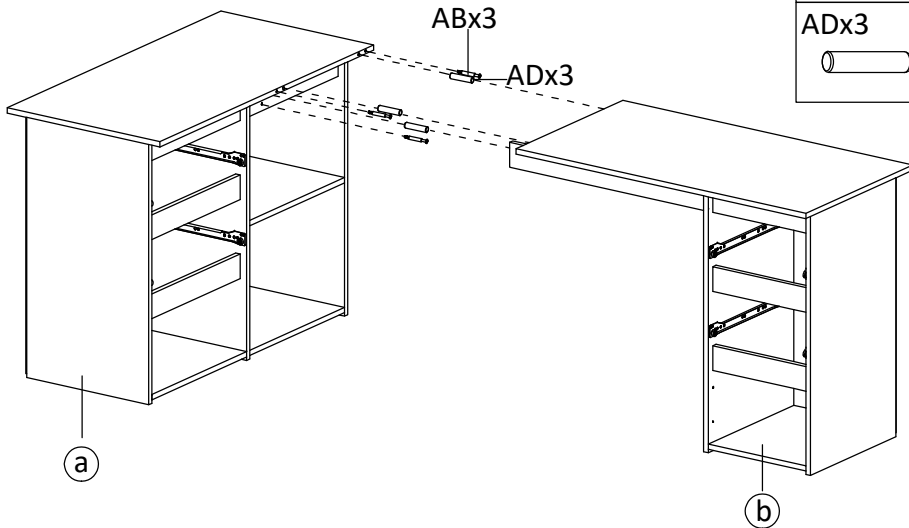
26



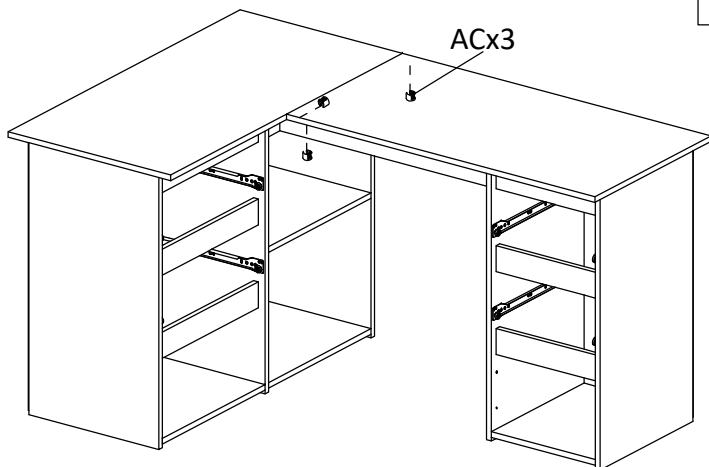
b



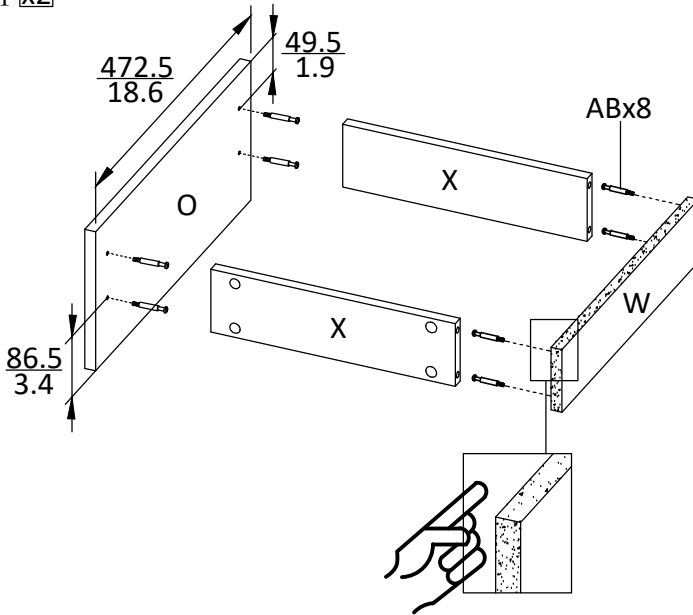
27



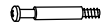
28



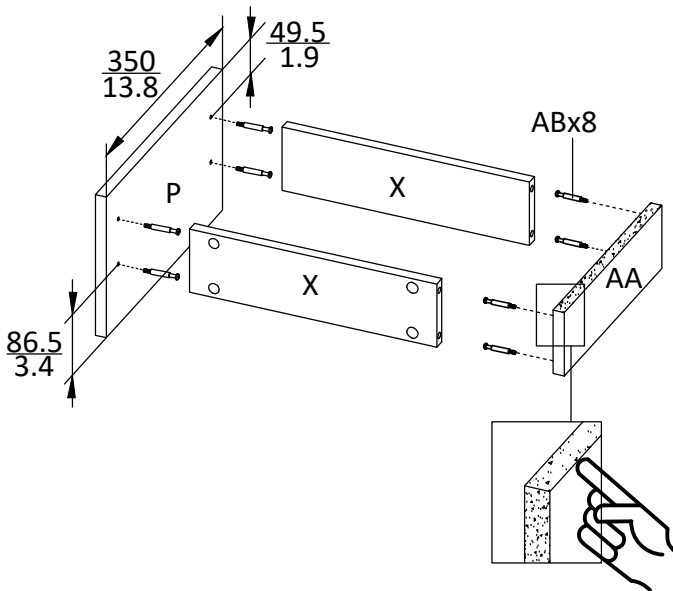
29—I x2



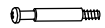
ABx16



29—II x2



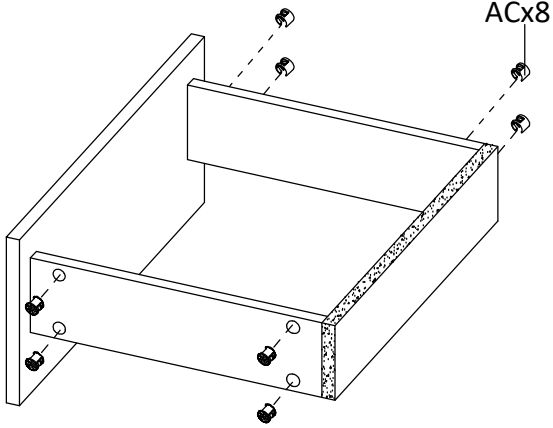
ABx16



30 — I x2

30 — II x2

ACx32



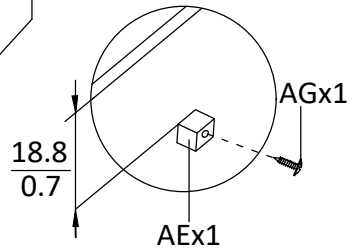
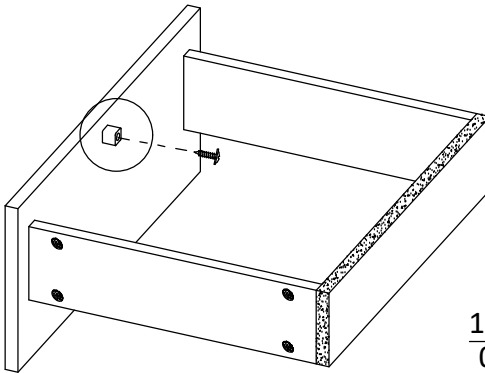
31 — I x2

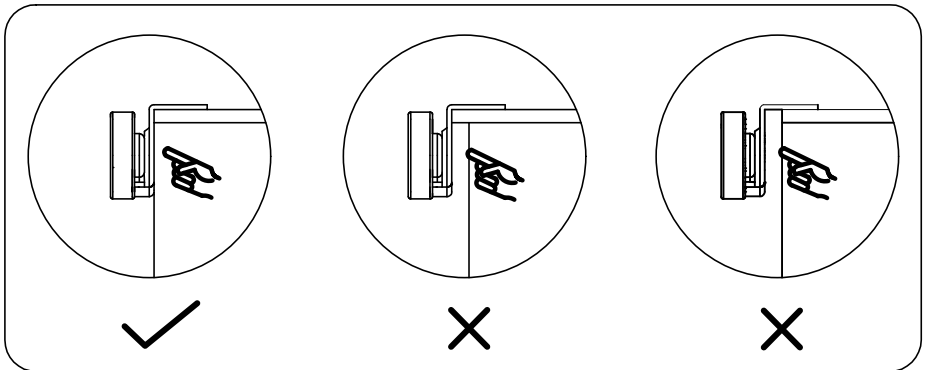
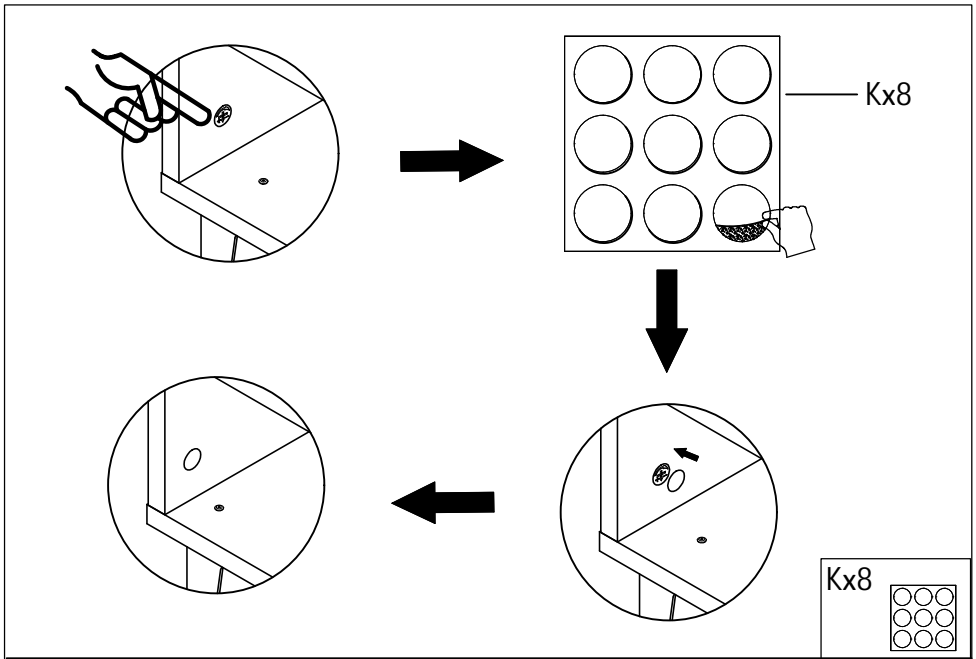
31 — II x2

AEx4

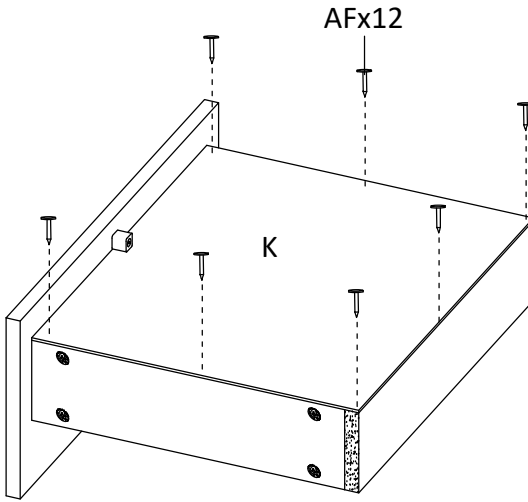


AGx4





32 — I x2

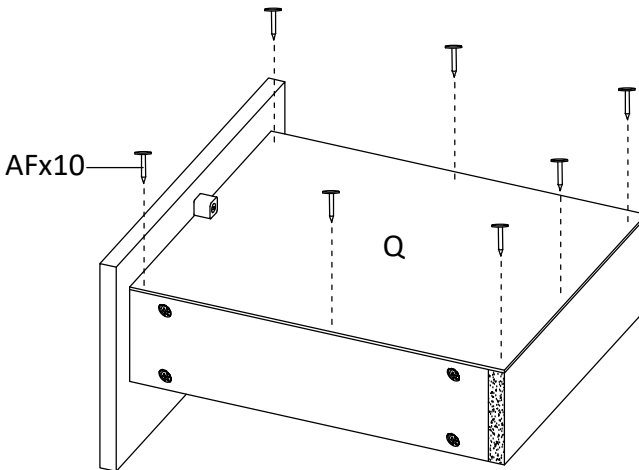


AFx24



o

32 — II x2

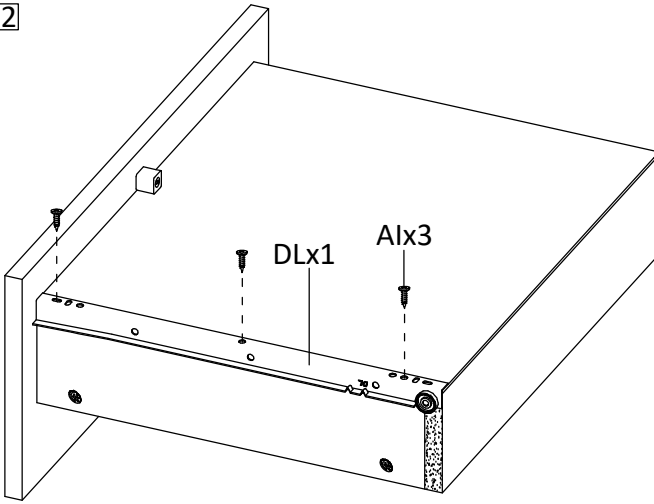


AFx20



p

- 33 — I x2
- 33 — II x2



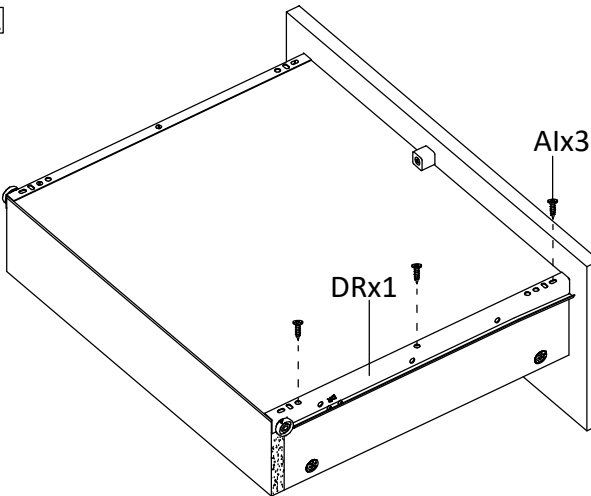
Alx12



DLx4



- 34 — I x2
- 34 — II x2



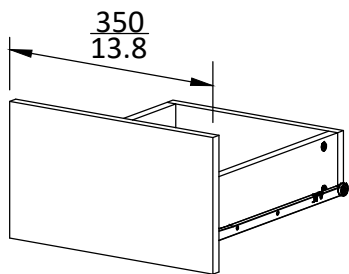
Alx12



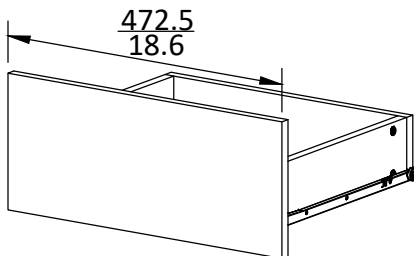
DRx4



35



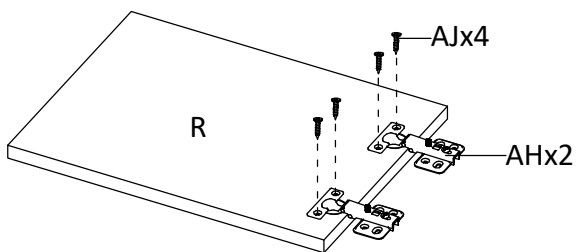
Ⓟ x2



Ⓞ x2

36

Ⓡ



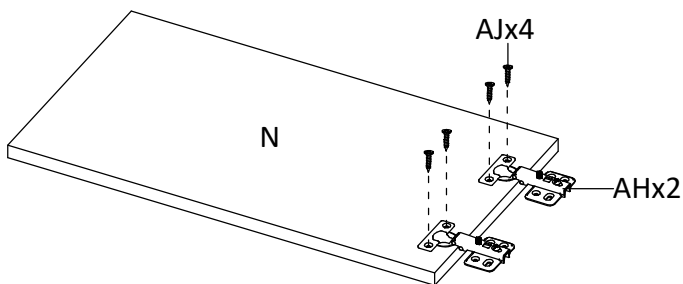
AHx4



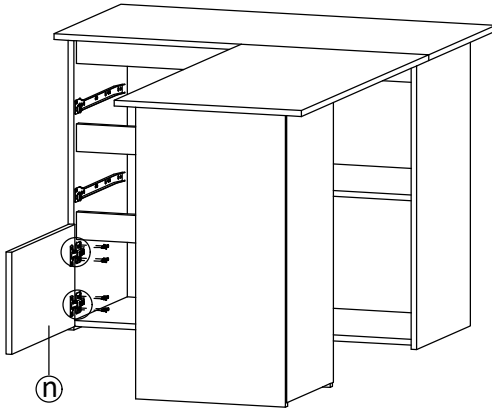
AJx8



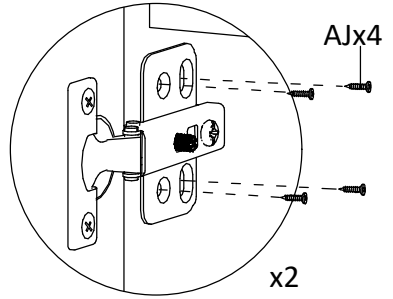
Ⓝ



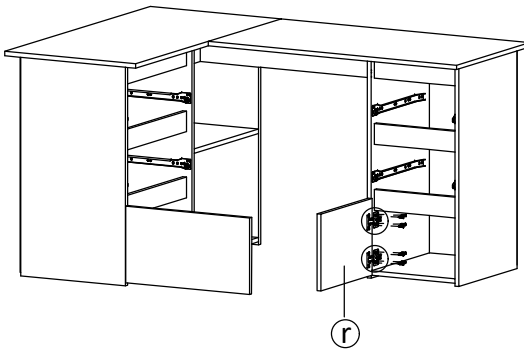
37



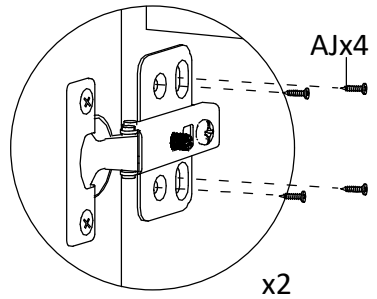
AJx8



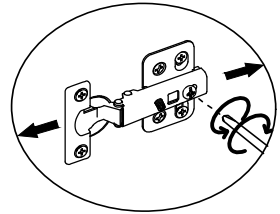
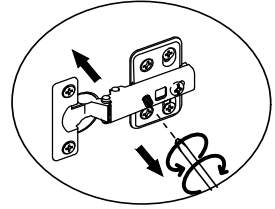
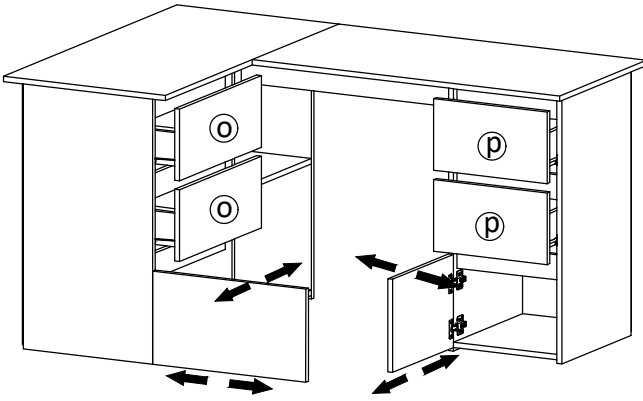
38



AJx8



39



40

