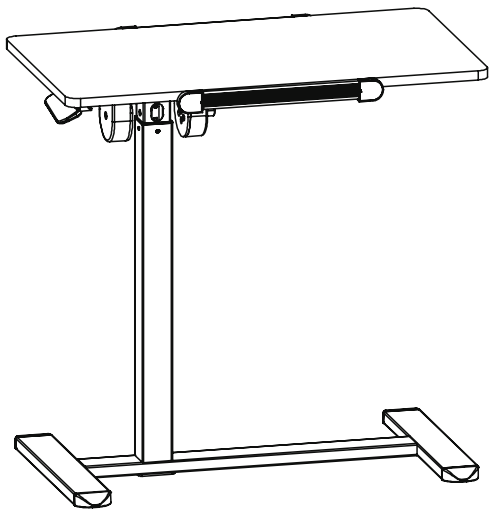
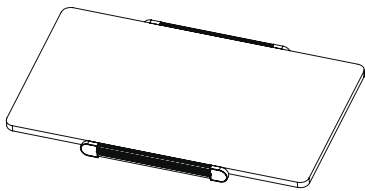
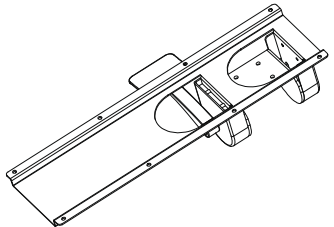
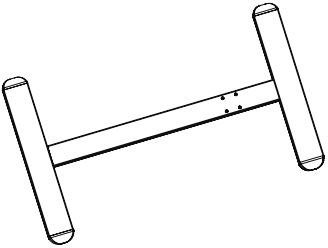
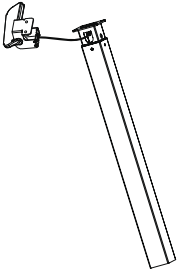

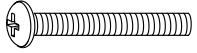

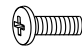

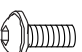





# ASSEMBLY INSTRUCTIONS



Thank you for purchasing our product!

MAIN PARTS LIST	
<p><b>1</b> Tabletop with retractable ledge</p> 	<p><b>2</b> Tilting mechanism</p> 
<p><b>3</b> Base legs</p> 	<p><b>4</b> Lift cylinder with handle</p> 

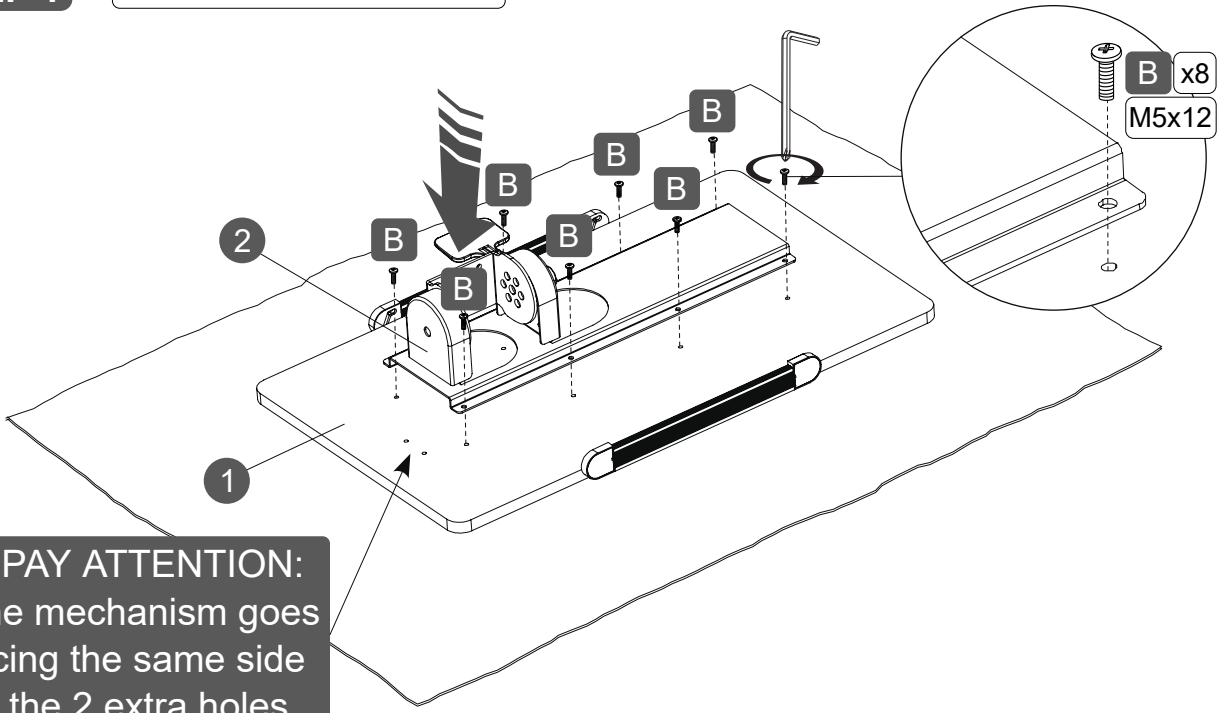
Hardware		
No.	Item	Qty.
A	M6x40  	4
B	M5x12  	10
C	M6x11  	4

Tools (Included)	
<p>Combined Allen Wrench</p> 	 

### ASSEMBLY STEPS

- We recommend using a blanket or tablecloth to protect the product's finish during assembly.
- Do not overtight any screws.

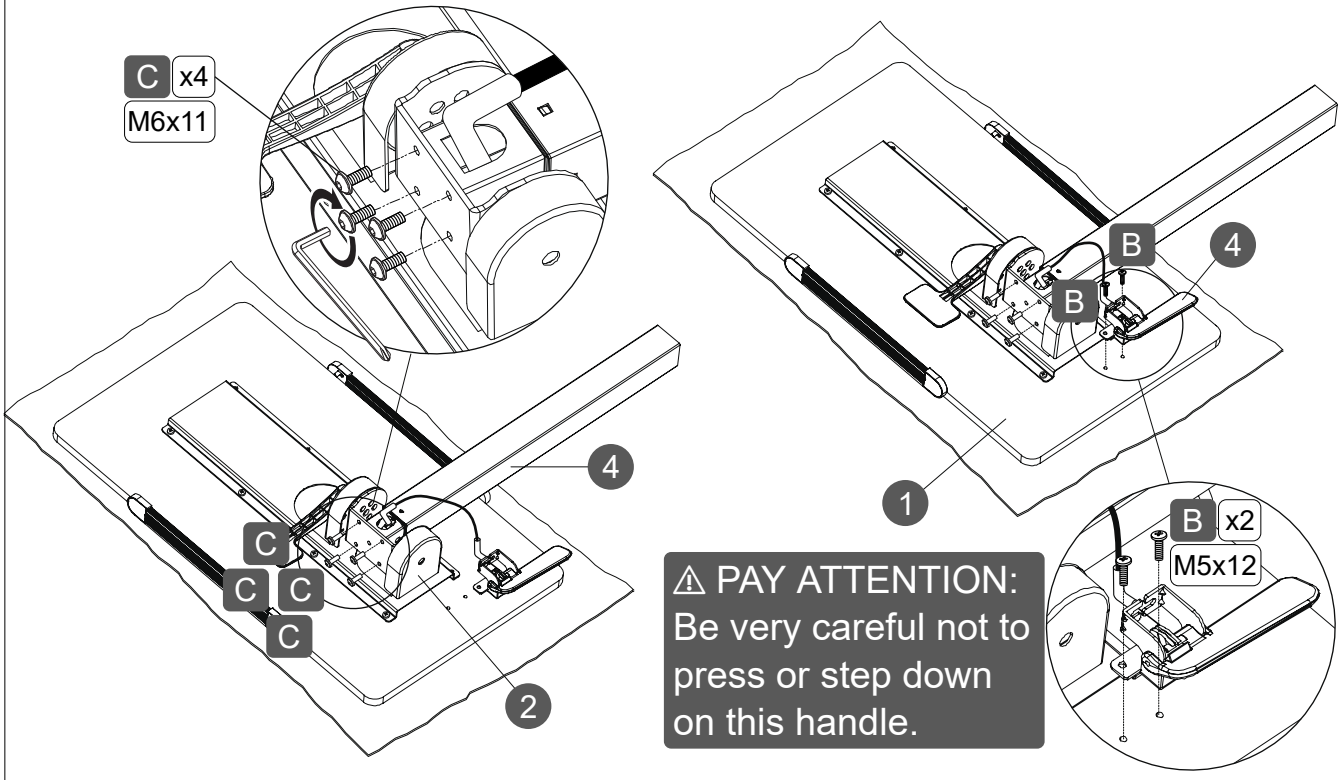
#### STEP 1 Use B to attach #2 to #1.



**⚠ PAY ATTENTION:**  
The mechanism goes facing the same side as the 2 extra holes.

#### STEP 2 1st: Use C to attach #4 to #2.

2nd: Use B to attach the handle from #4 to #1.

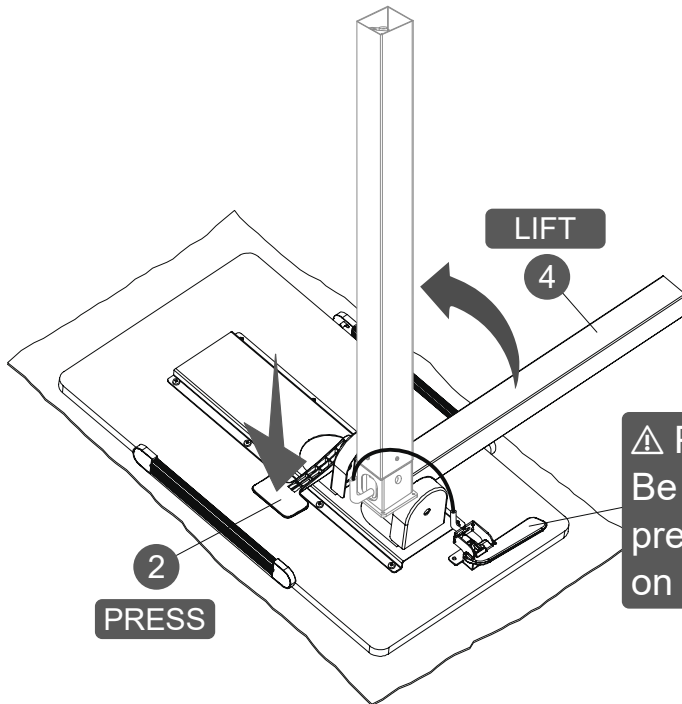


**⚠ PAY ATTENTION:**  
Be very careful not to press or step down on this handle.

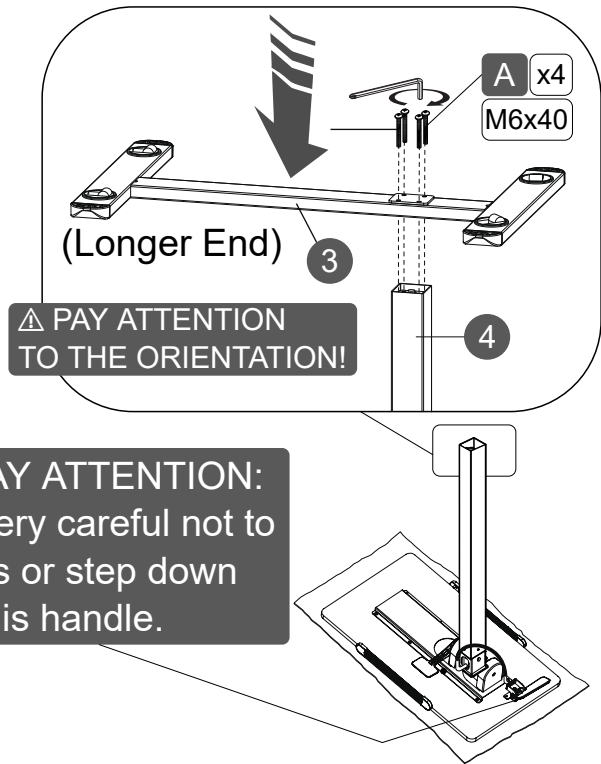
## ASSEMBLY STEPS

### STEP 3

1st: Lift # 4 upright by pressing DOWN the lever from #2.



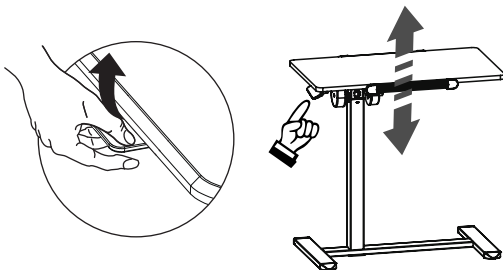
Finally: Use A to attach #3 to #4.



**⚠ PAY ATTENTION:**  
Be very careful not to press or step down on this handle.

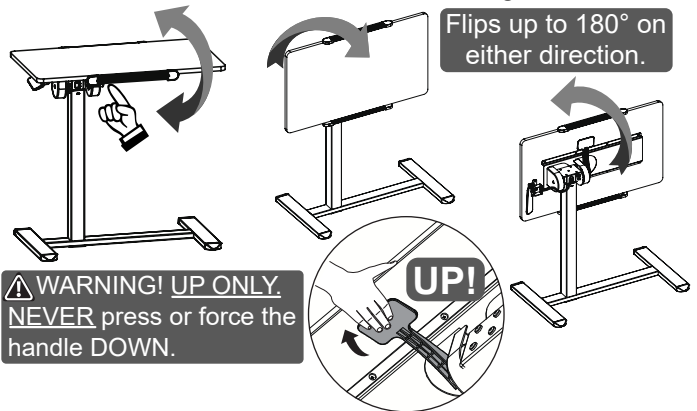
## FUNCTIONS

**HEIGHT** Lift and hold the handle located on the short side.



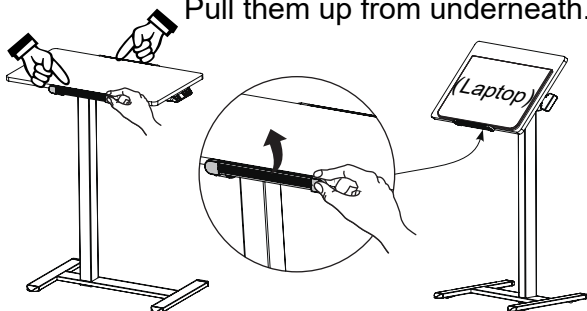
**TIP!** To lower it, you must push down on the tabletop, applying force.

**TILT/ANGLE** Lift the handle located on the long side and tilt to the desired angle.



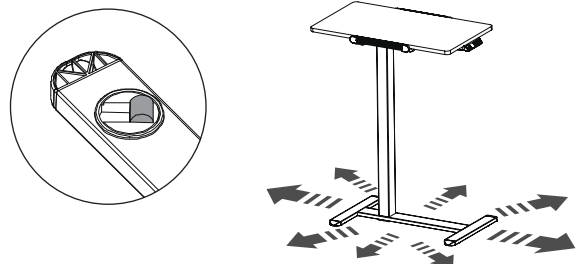
### RETRACTABLE LEDGE

Pull them up from underneath.



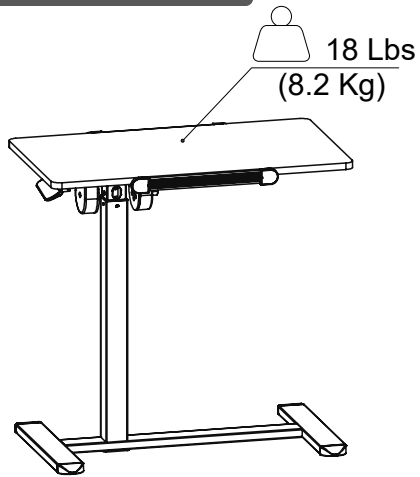
### ROLLING

The hidden wheels can roll the cart in any direction you want.

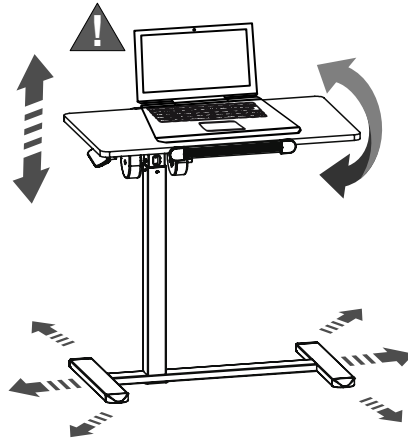


**WARNINGS - Not paying attention to the following warnings could result in injuries.**

**DO NOT EXCEED**

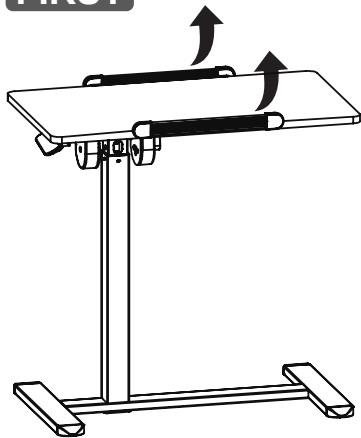


Use caution for objects on the tabletop when adjusting the height, tilting and rolling functions.

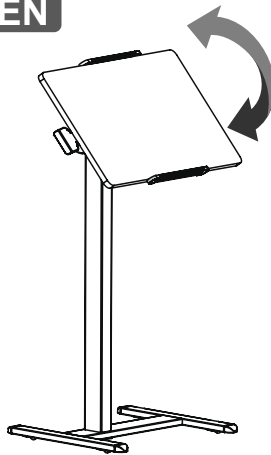


Always raise the ledge **BEFORE** using the tilting function.

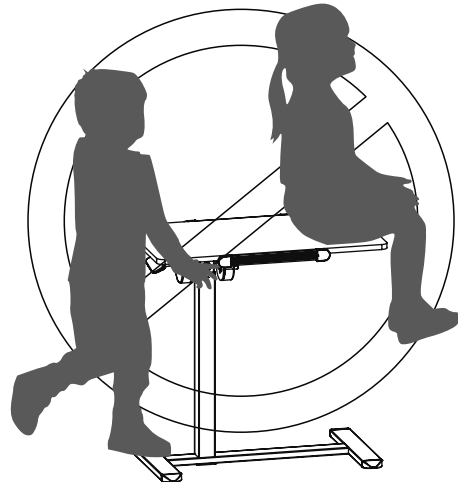
**FIRST**



**THEN**

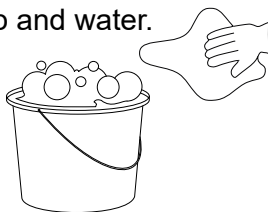


Do not allow small children to play with the unit or to manipulate the height and tilting functions without your supervision.



**CARE AND MAINTENANCE**

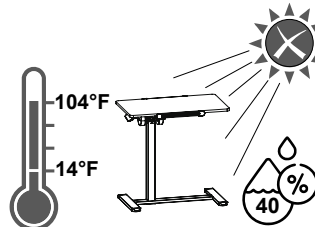
Clean with a soft cloth lightly dampened in a solution of smooth soap and water.



Do not use solvents or abrasive materials.



Do not expose to direct sunlight or to extreme environmental conditions.



Inspect the unit throughly every 4 months and re-tighten the screws.

