

---

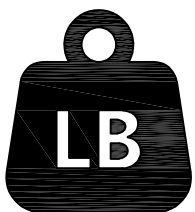
## NOTE:

This brochure contains IMPORTANT safety info. Please read and keep for future reference.

---

# MAINTAINANCE AND WARNING

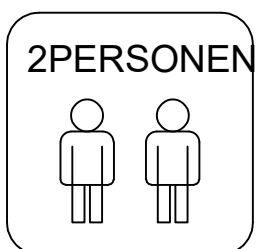
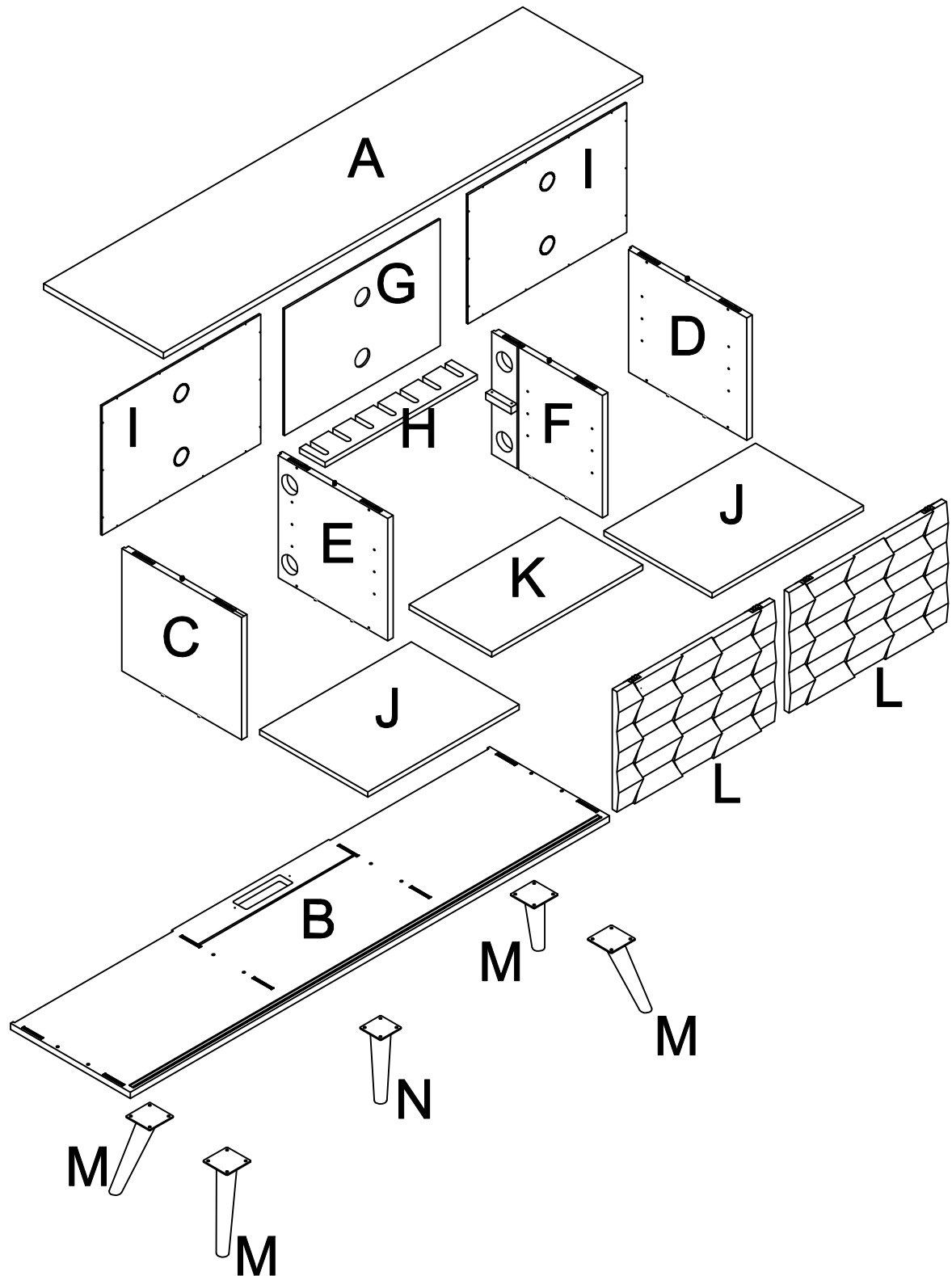
- 1.Keep furniture away from heat sources.
- 2.Do not clean furniture with harsh cleaner or polishes.Do not use detergents,solvents,abrasives,spray packs or leather cleaner. Use non-color mild soa with warm water to clean spills(Mix 1:10 soap to water).
- 3.Do not place furniture under direct sunlight,material will possibly fade over time.
- 4.Do not use on site dry cleaning machine.Children should not climb or jump on the furniture.
- 5.Do not write on furniture that is not protectedby a padded barrier.
- 6.Not for commercial use,only for residential use.



Weight Limitation

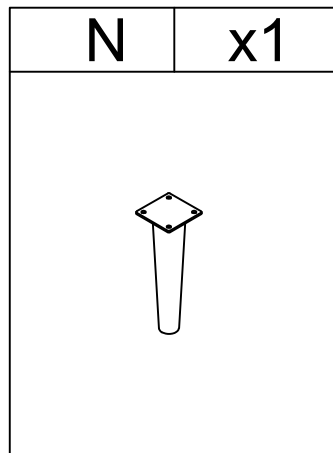
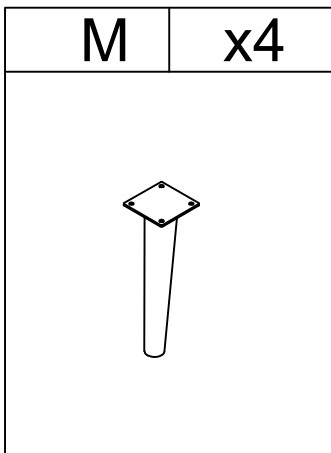
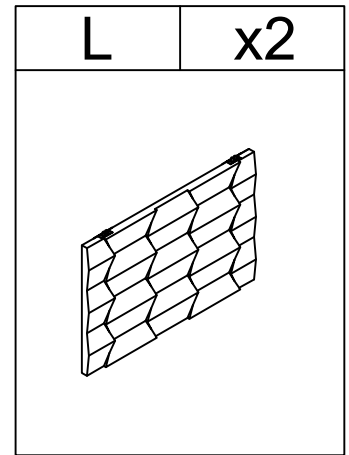
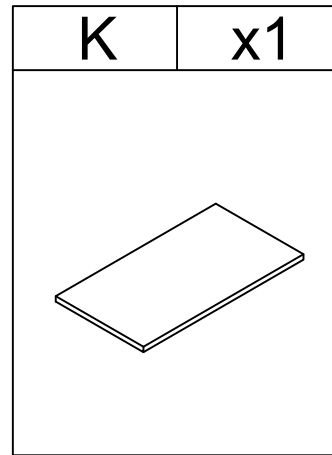
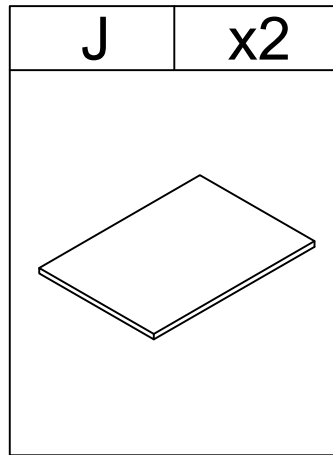
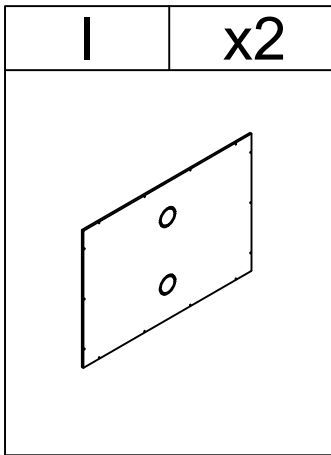
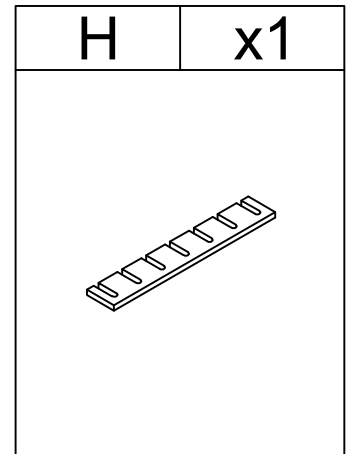
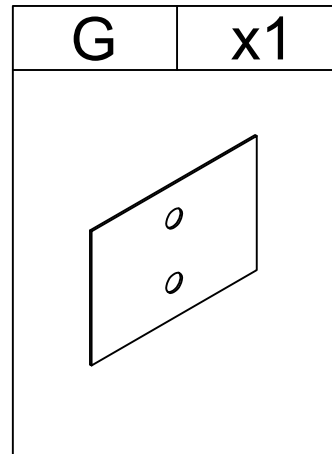
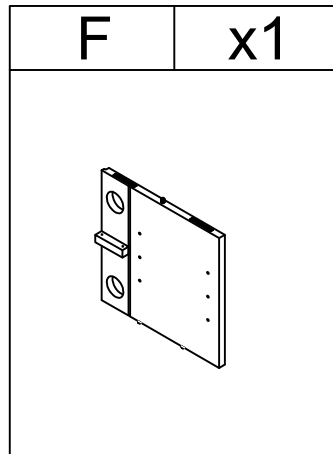
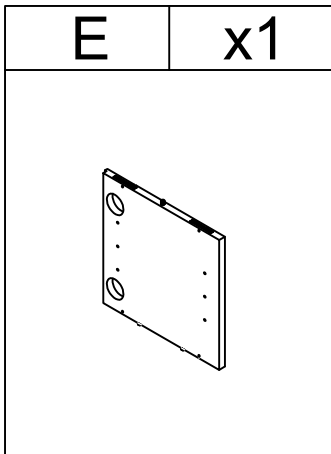
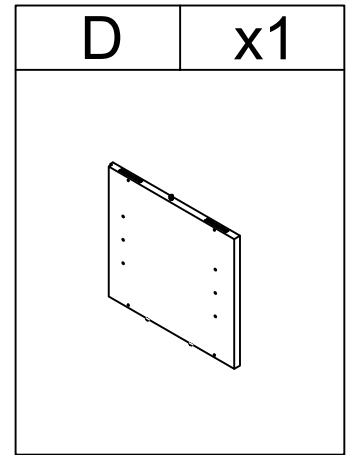
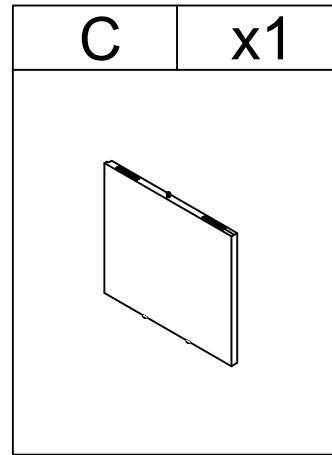
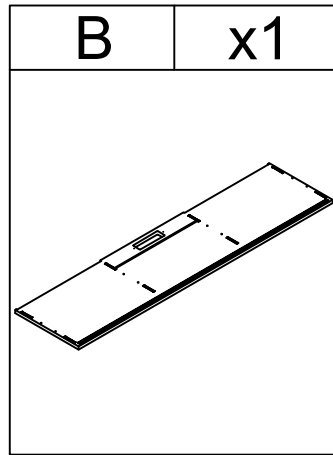
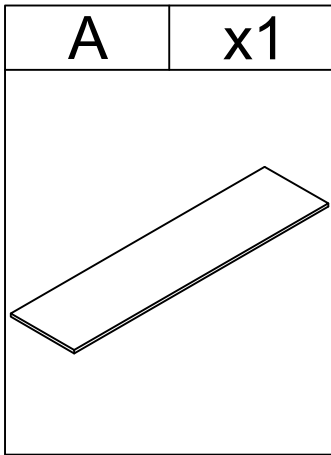
**100 LBS**

# EXPLOSIVE VIEW

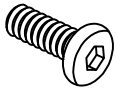


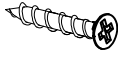
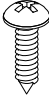

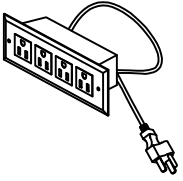

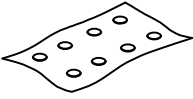


# OVERVIEW

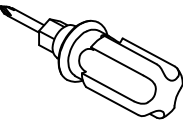
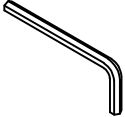
# PARTS LIST



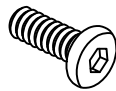



# HARDWARE LIST

#1	x20	#2	x20	#3	x20	#4	x4	#5	x28	#6	x2
											
φ1/4*1/2"						φ8#*1-1/4"		φ3*14mm*6#		φ3*12mm*6#	
#7	x1	#8	x12	#9	x1						
											

# TOOL LIST

#10	x1	#11	x1
			

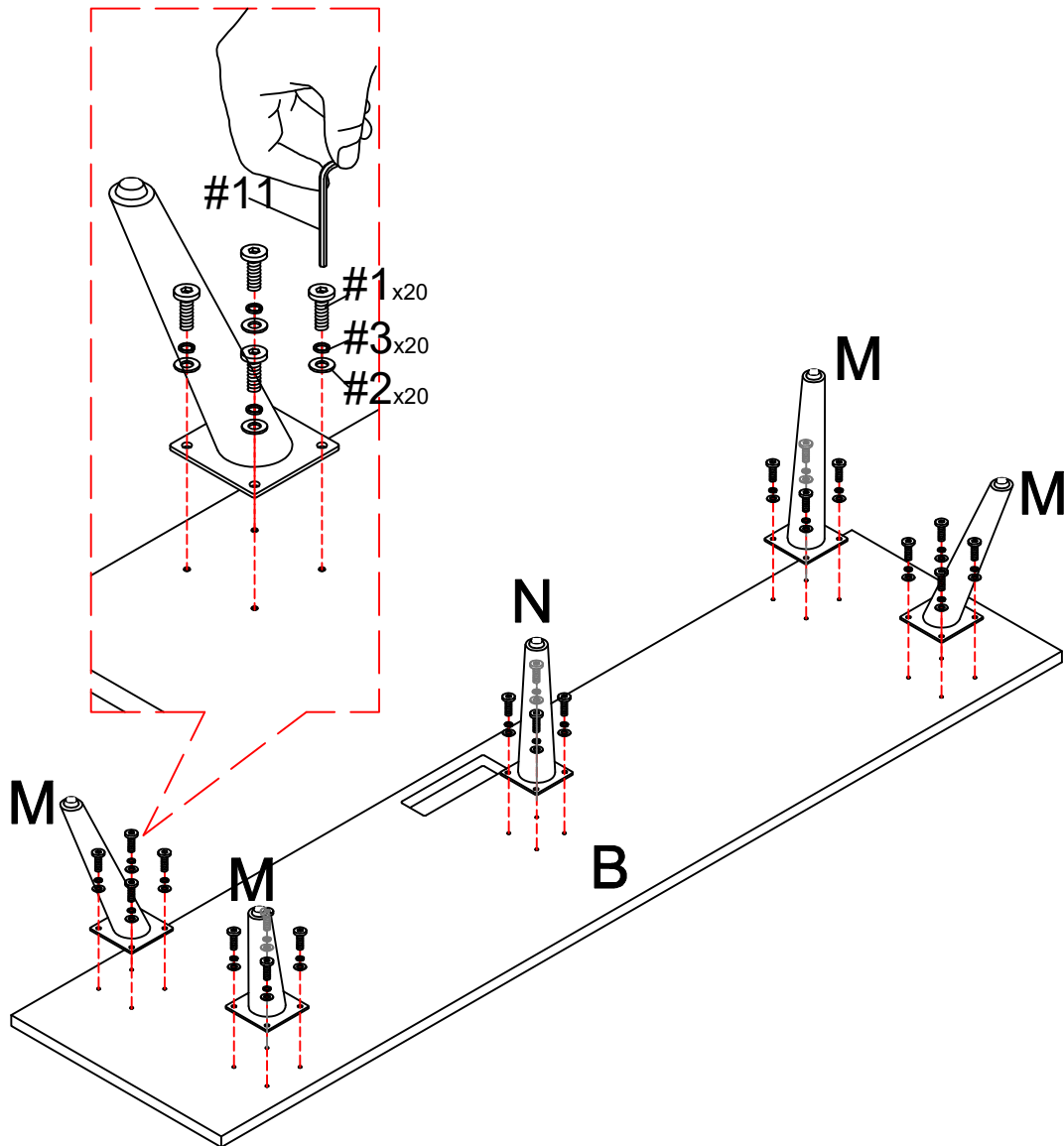
# HARDWARE SPARE LIST





#1	x2	#2	x2	#3	x3	#5	x3
							
φ1/4*1/2"						φ3*14mm*6#	

# ASSEMBLY INSTRUCTIONS

## STEP-1

1. connect part(M/N) to part (B) with bolt #1, flat washer #2 and spring washer #3, tight them with allen wrench #11.

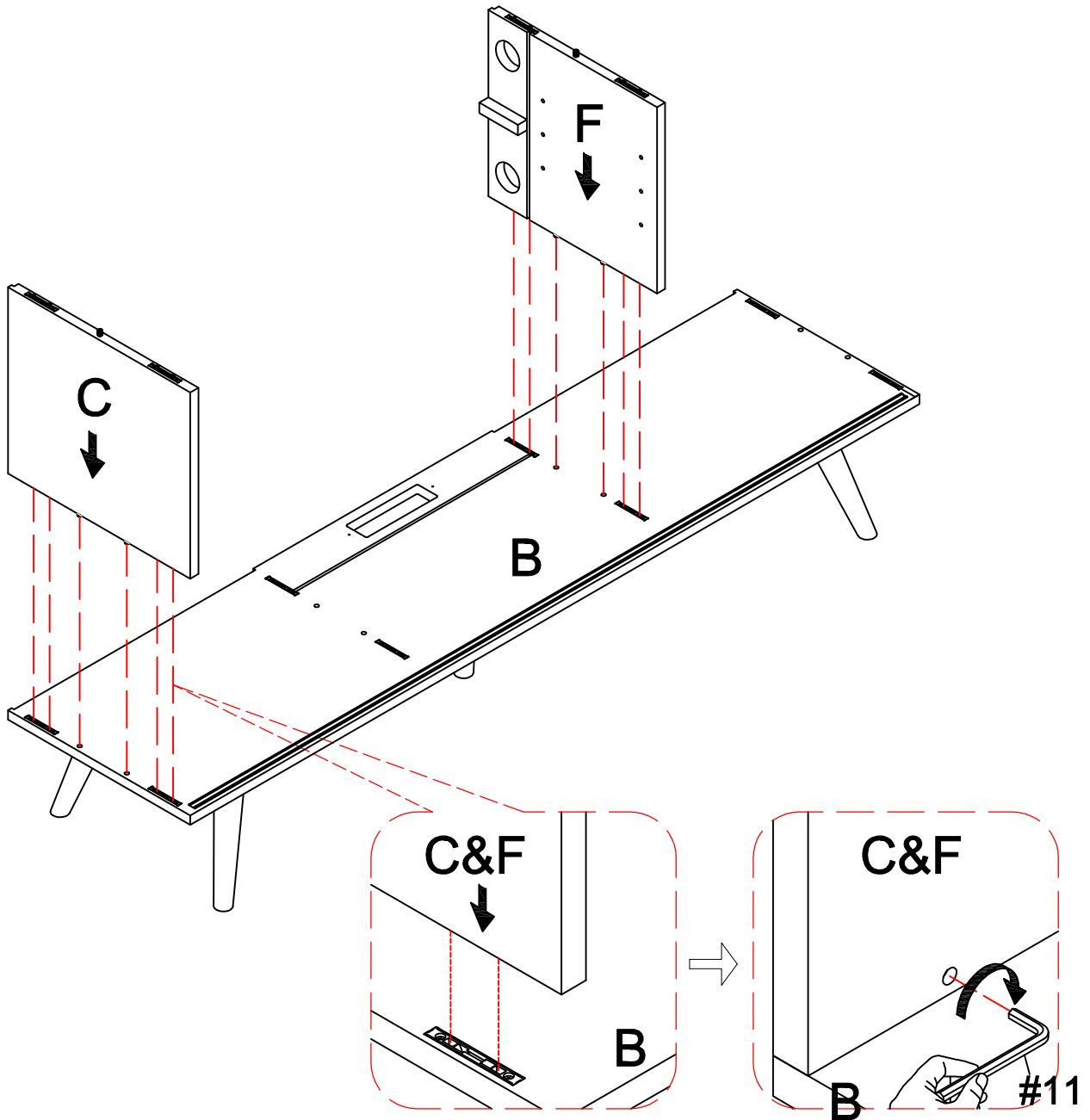


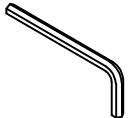
#1	x20	#2	x20	#3	x20	#11	x1
							
φ1/4*1/2"							

# ASSEMBLY INSTRUCTIONS

## STEP-2

1.insert part(C/F) to part (B), make sure all holes aligned and tight it with allen wrench #11.

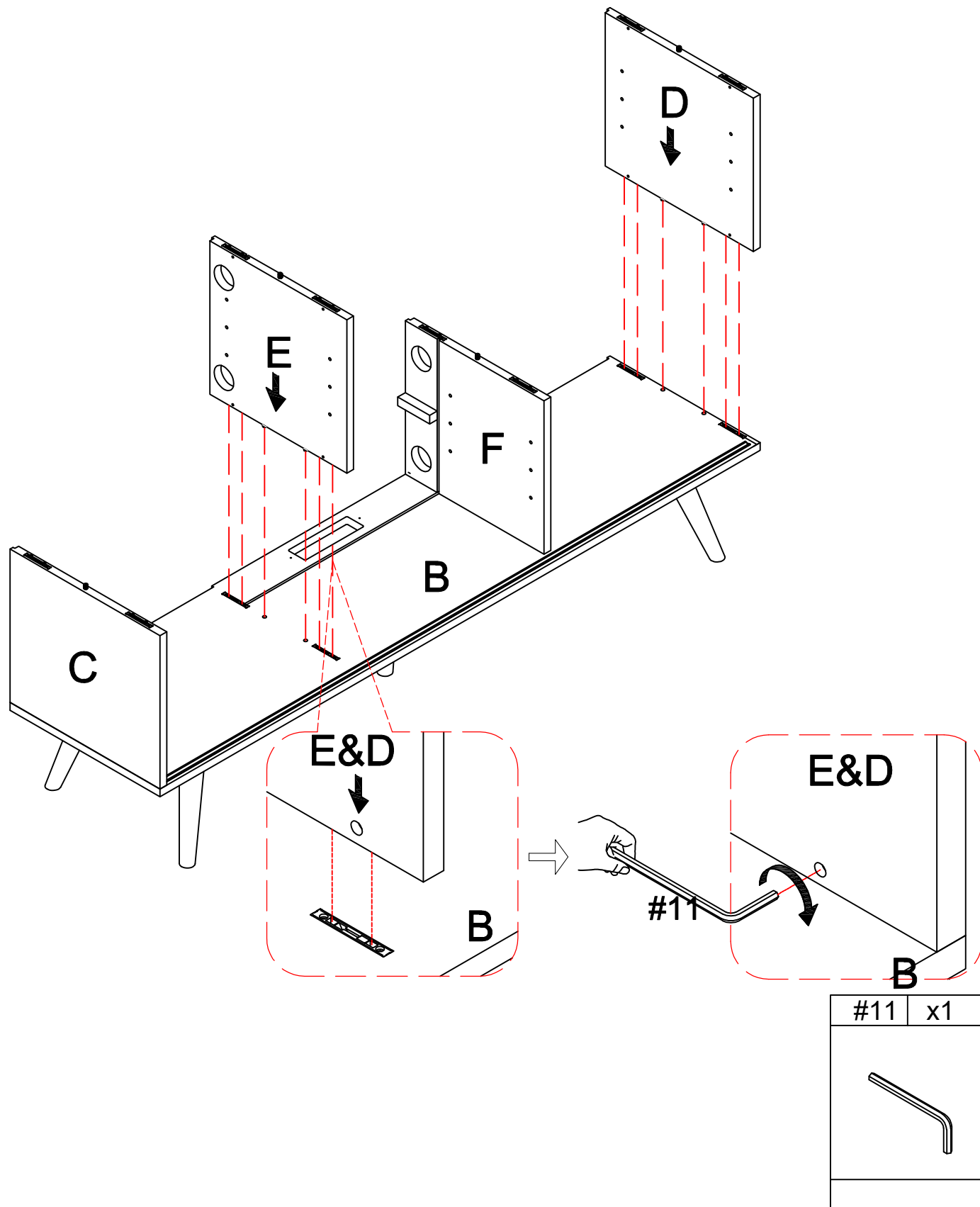


#11	x1
	

# ASSEMBLY INSTRUCTIONS

## STEP-3

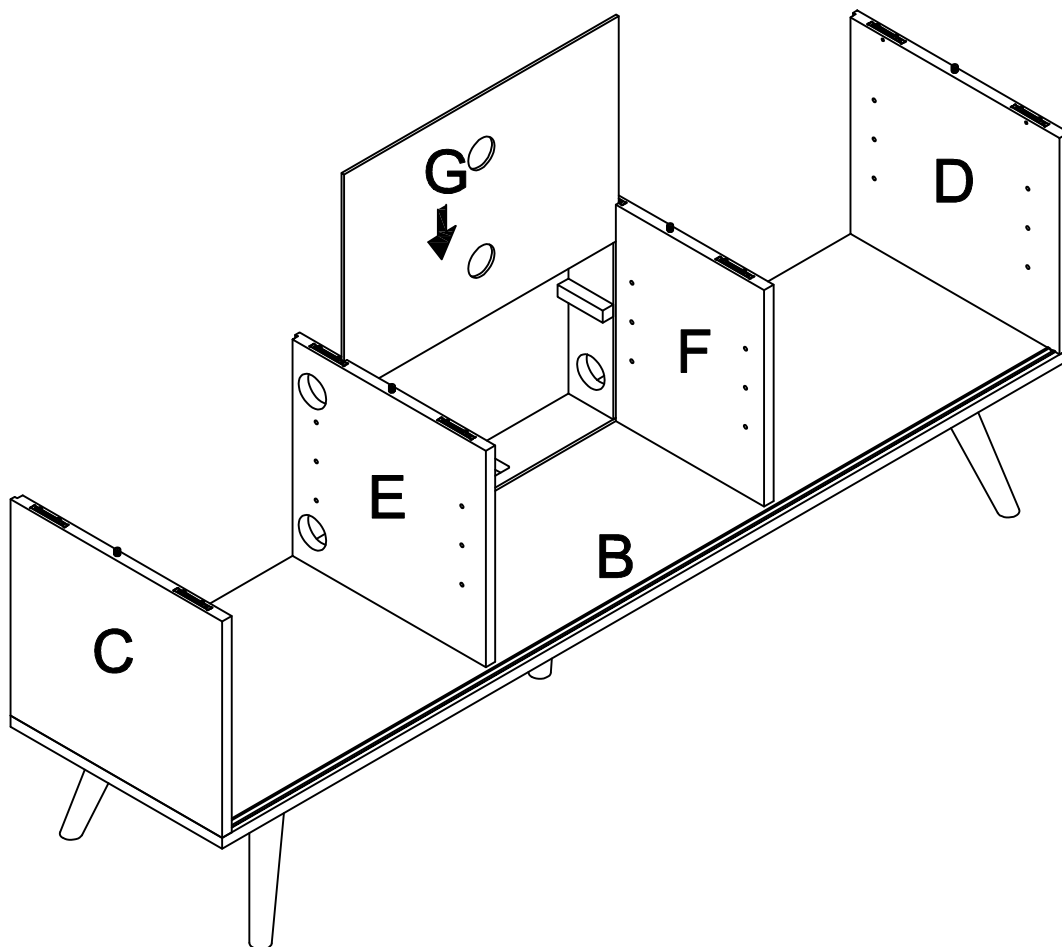
1.insert part(E/D) to part (B), make sure all holes aligned and tight it with allen wrench #11.



# ASSEMBLY INSTRUCTIONS

## STEP-4

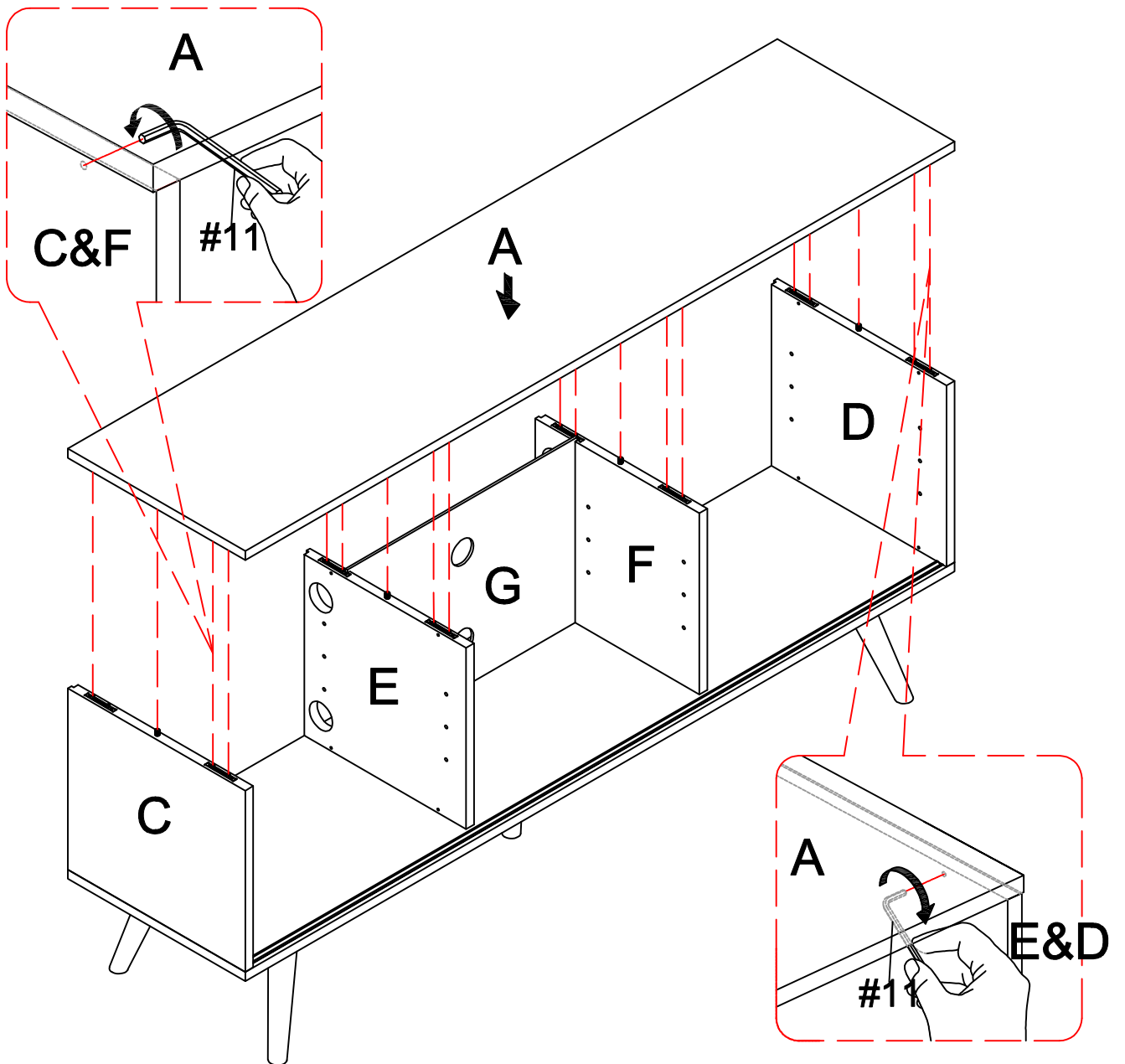
1. slide part (G) to part (E/F), make sure it also in the groove of part (B).



# ASSEMBLY INSTRUCTIONS

## STEP-5

1.insert part(A) to the unit pre-assembled at the step 4, make sure all holes aligned and tight it with allen wrench #11.

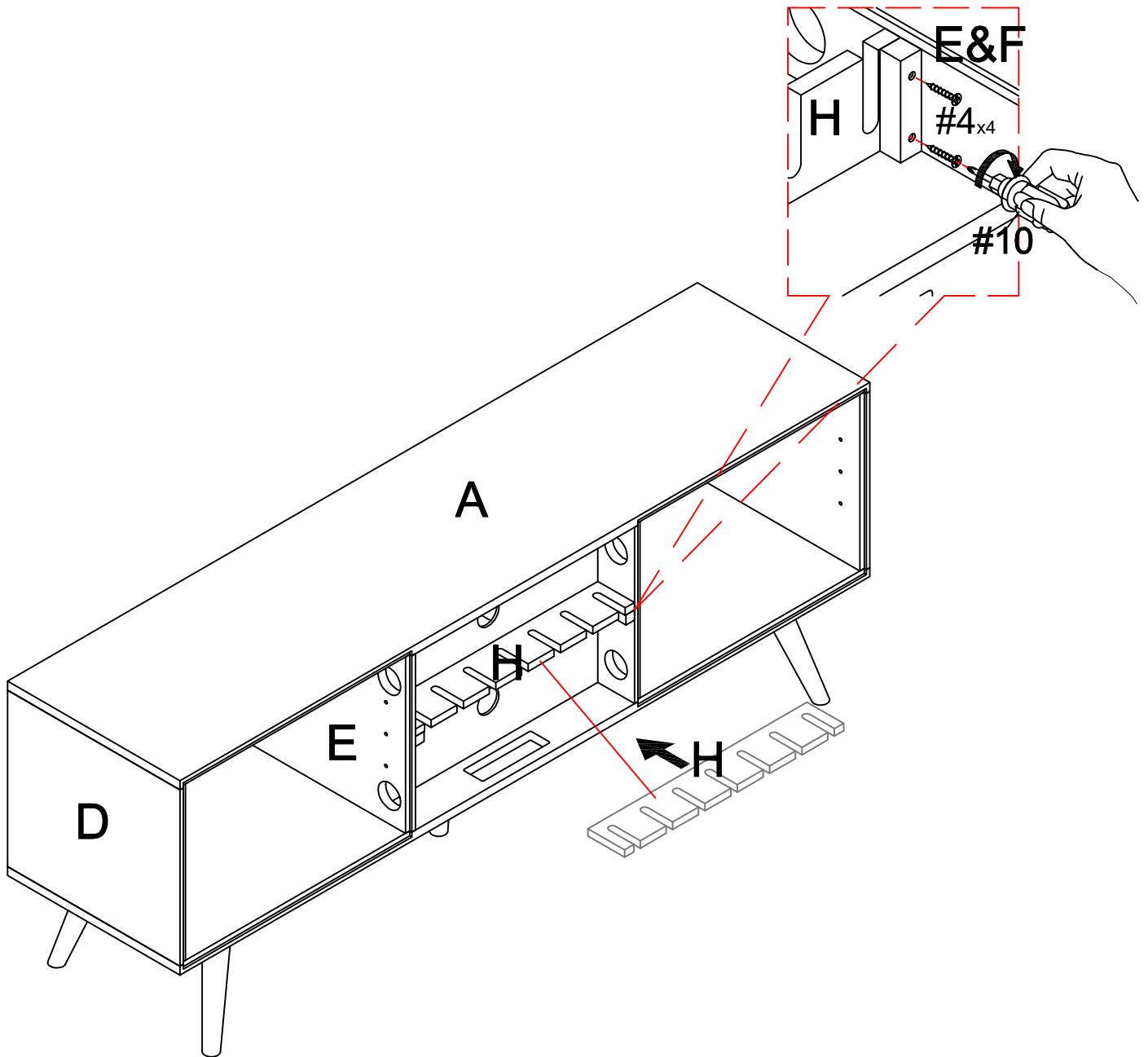


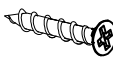
#11	x1

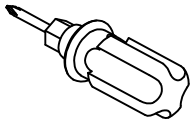
# ASSEMBLY INSTRUCTIONS

## STEP-6

1. connect part(H) to part (E/F) with screw #4,, tight screw with screwdriver #10.



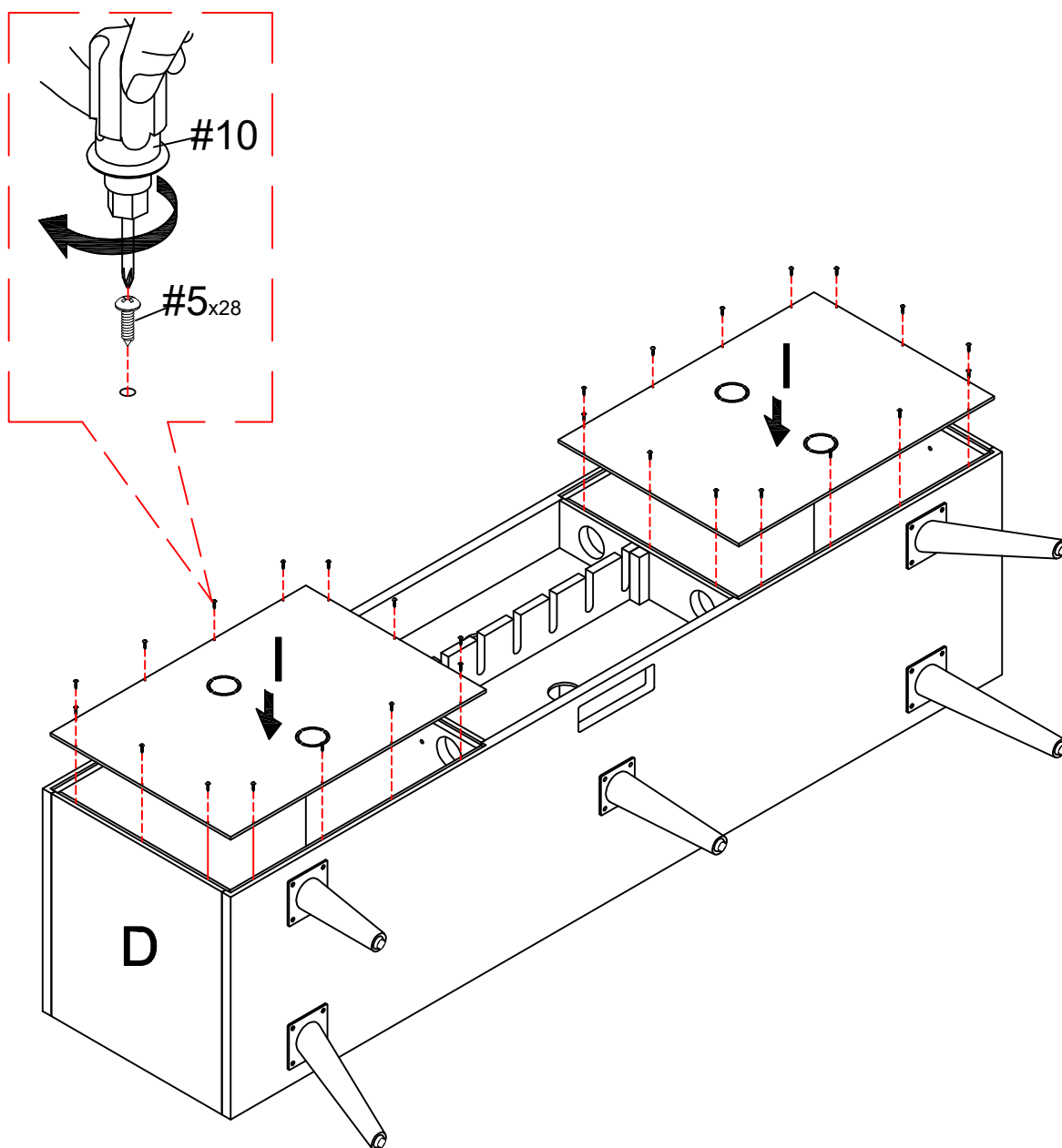
#4	x4
	
φ8#*1-1/4"	

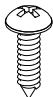
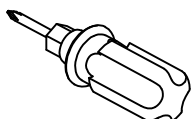
#10	x1
	

# ASSEMBLY INSTRUCTIONS

## STEP-7

1. connect part(I) to the unit pre-assembled at step 6 with screw #5, tight screw with screwdriver #10.

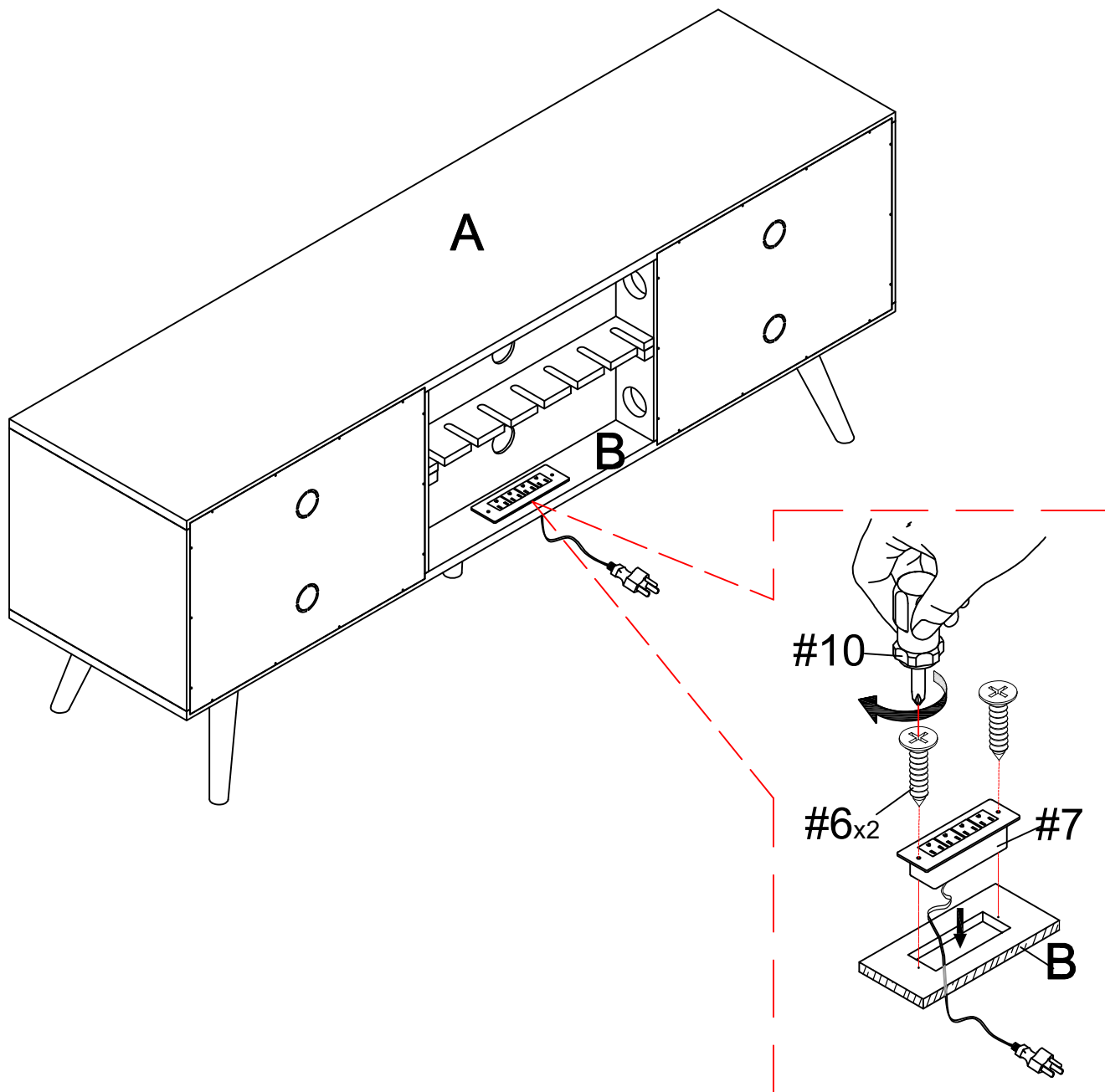



#5	x28	#10	x1
			
φ3*15mm*7#			

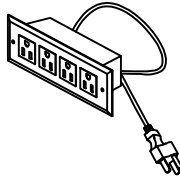
# ASSEMBLY INSTRUCTIONS

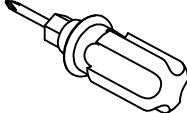
## STEP-8

1. connect part #7 to part (B) with screw #6, tight screw with screwdriver #10.



#6	x2
	
ø3*12mm	

#7	x1
	

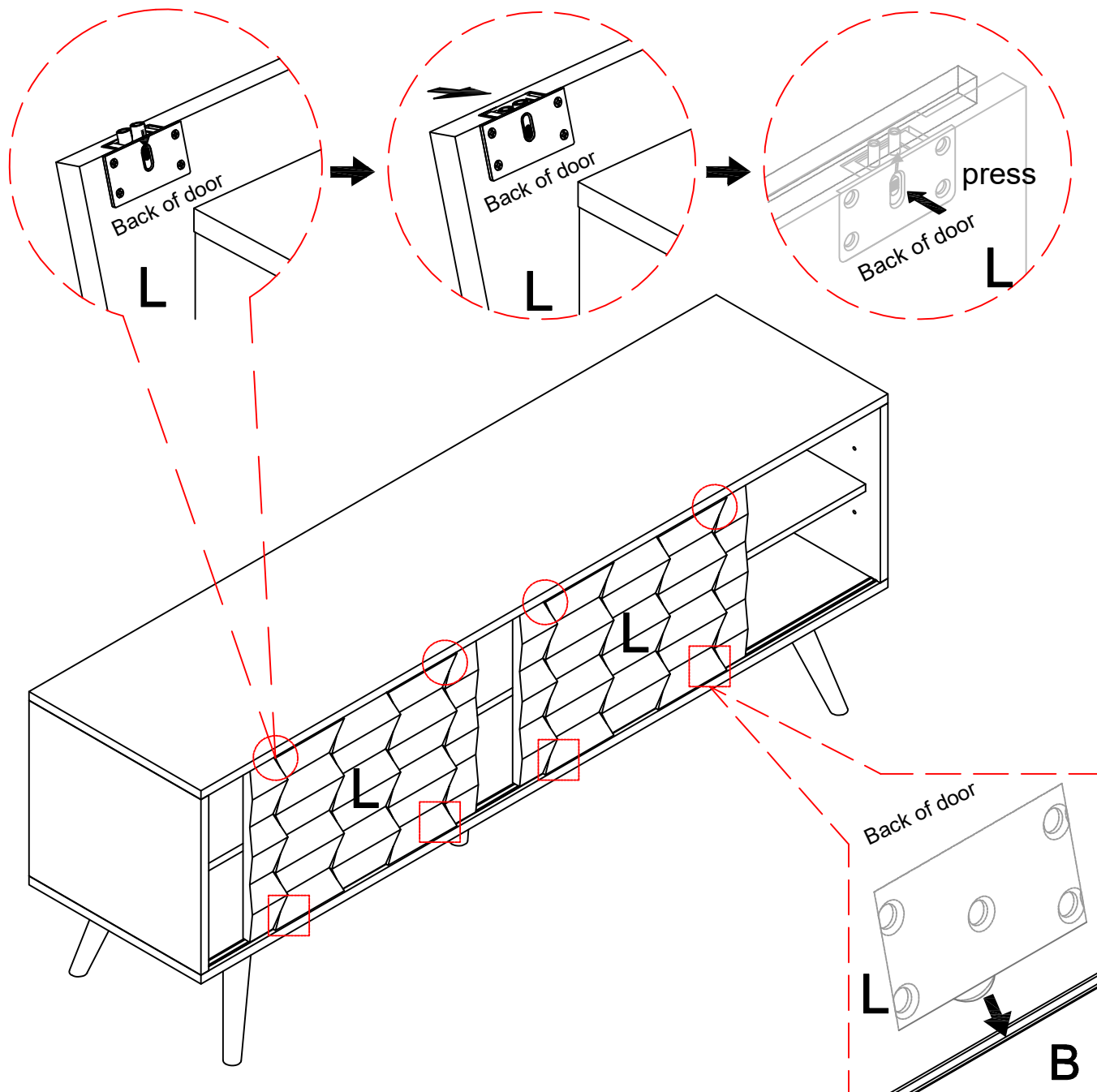
#10	x1
	



# ASSEMBLY INSTRUCTIONS

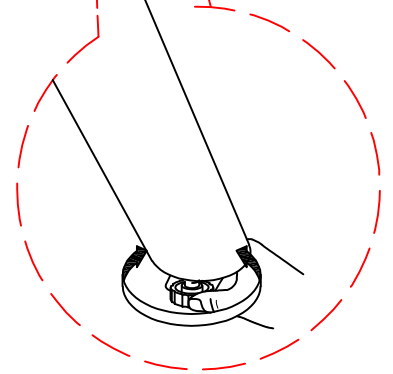
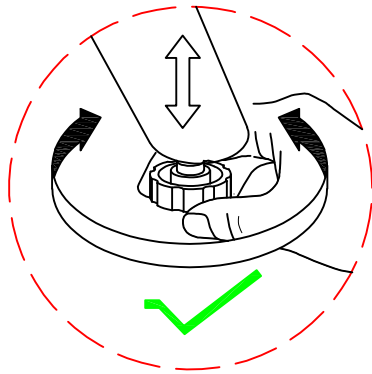
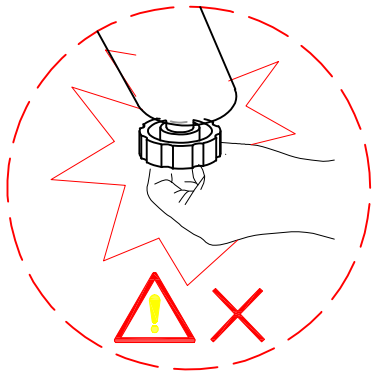
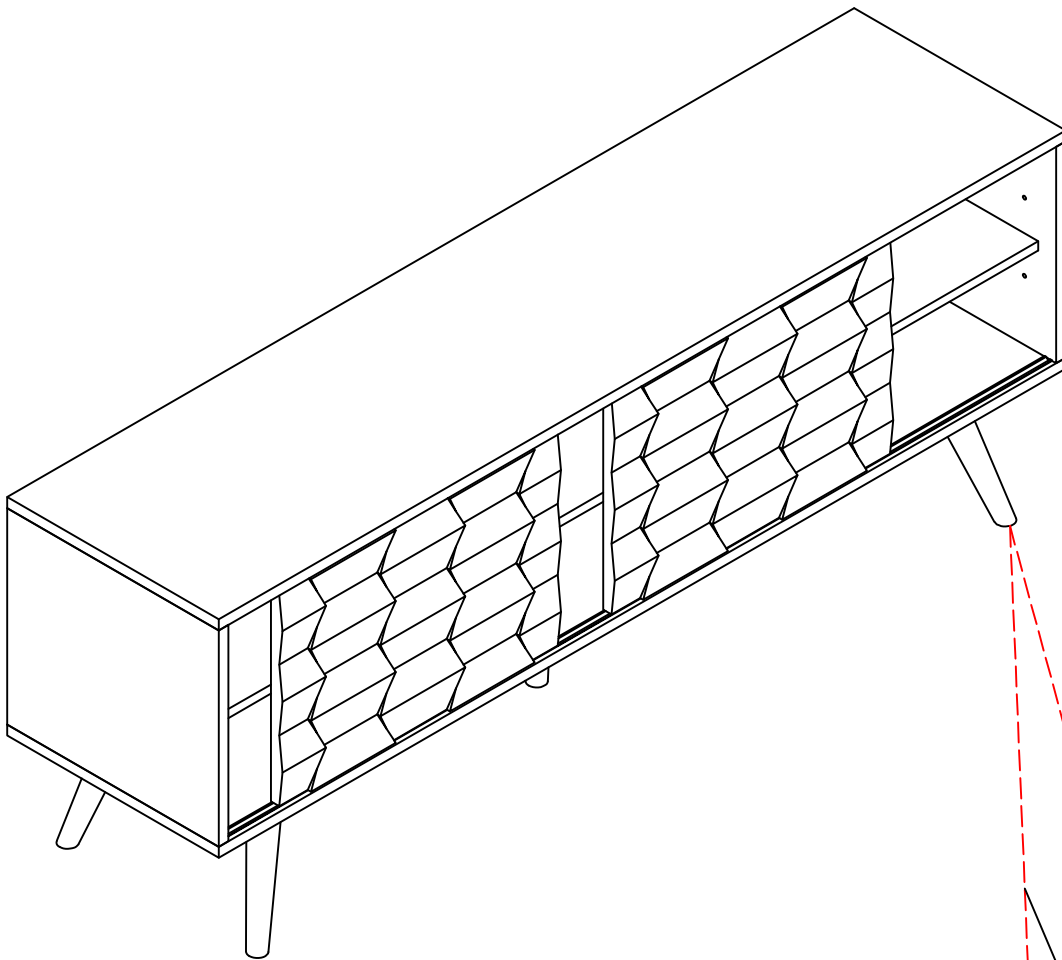
## STEP-10

1. picture show, install the door panel to the unit pre-assembled unit at step 9, move bottom.



# ASSEMBLY INSTRUCTIONS

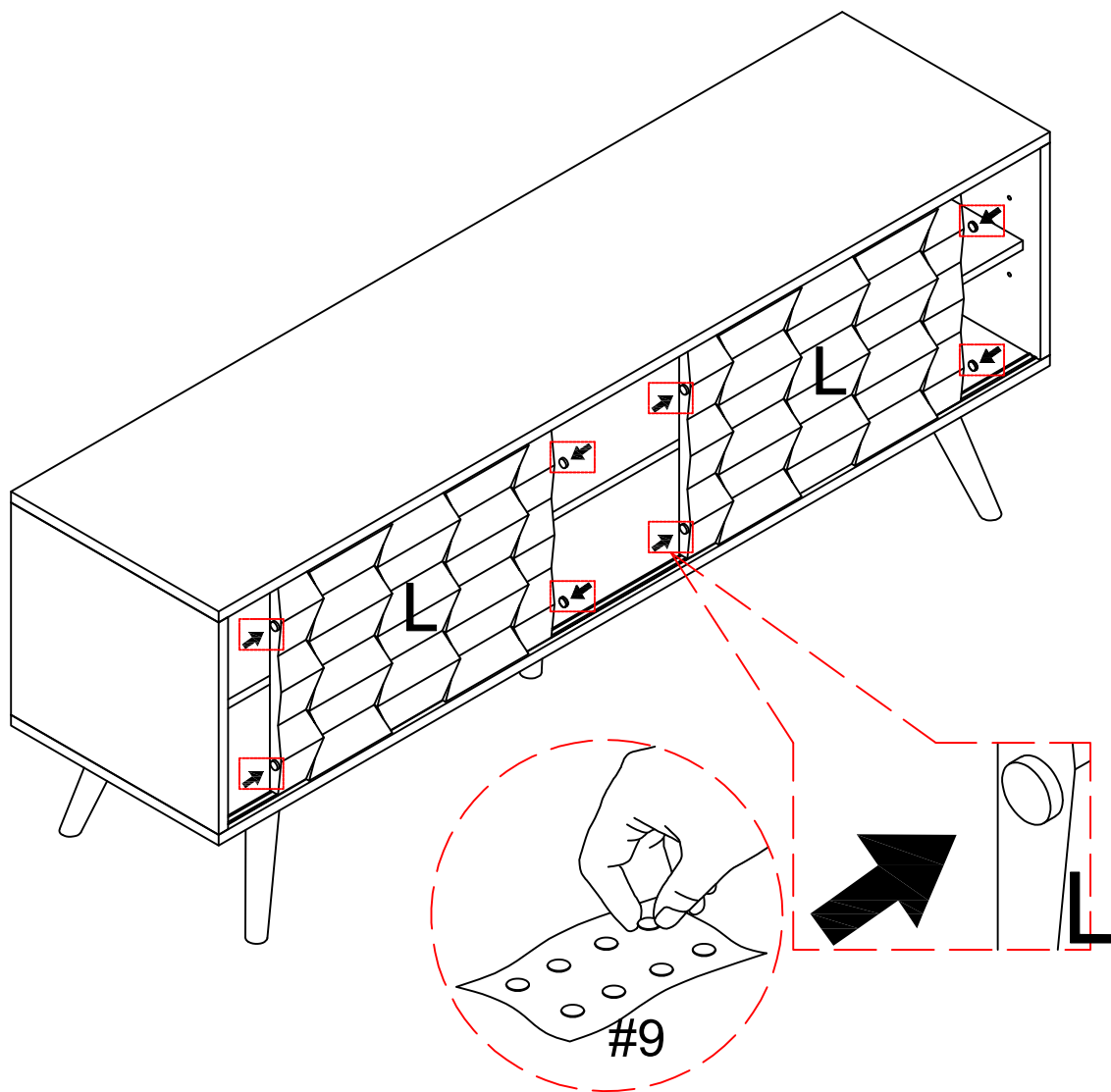
## STEP-11

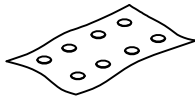


# ASSEMBLY INSTRUCTIONS

## STEP-12

1. attach the anti-collision pad #9 to the door panel.



#9	x1
	

# WARRANTY

1. We strive to offer high-quality products, and we also try our best to satisfy each and every customer that orders from us with product or service as needed.
2. We provide 30 days warranty starting from the time you receive the item. Each customer must provide a record of their order such as the order number, or item receipt for any items that are out of the warranty period you may also still receive.
3. Replacement parts by purchasing them with our company if they are available.

Appreciate your purchasing from us.  
Pop up your life by our furniture piece!