

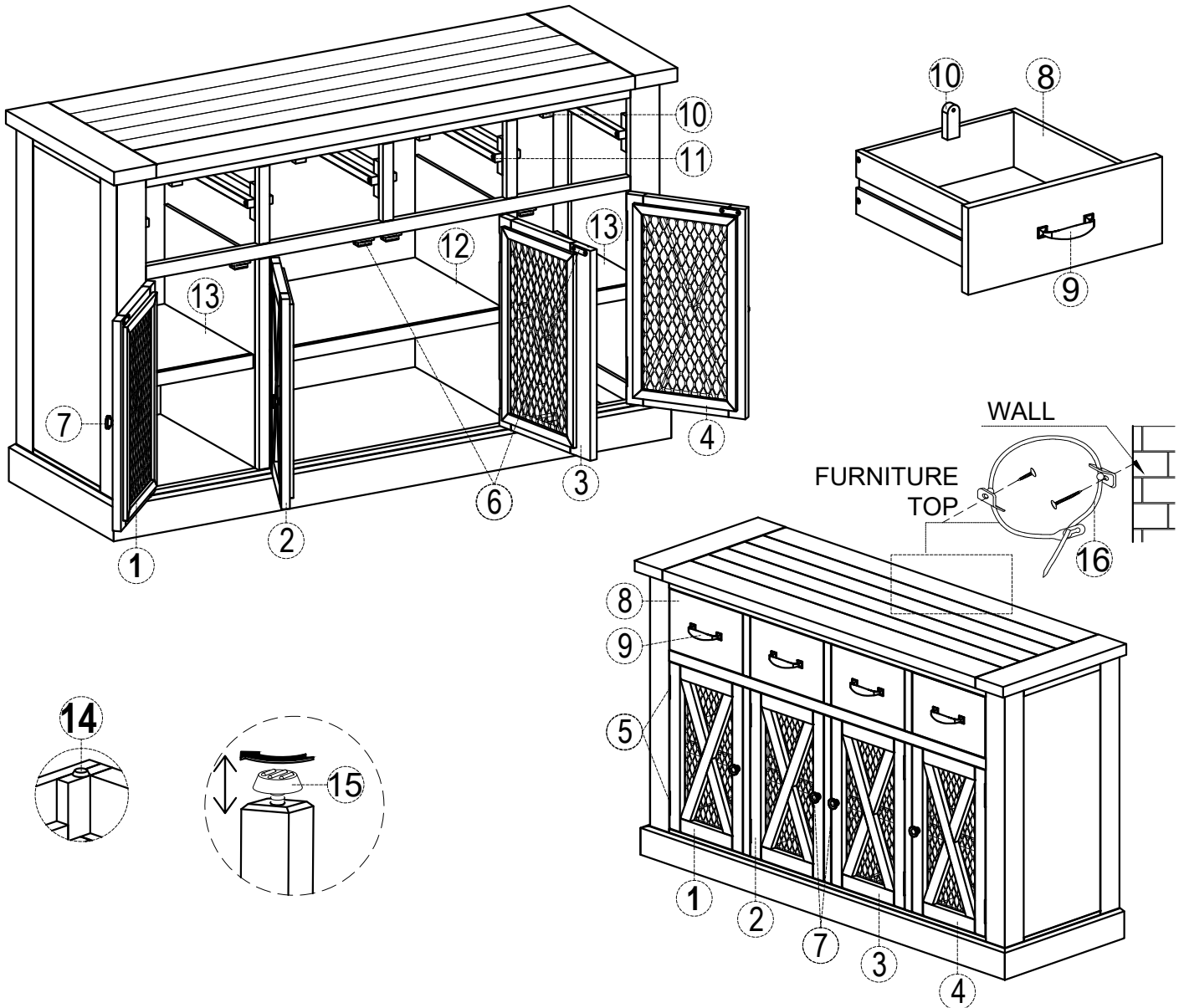
ASSEMBLY INSTRUCTIONS

FOUR DRAWER

SIDEBORD

Thank you for purchasing this quality product. Be sure to check all packing material carefully for small parts that may have come loose inside the carton during shipment.

Parts key					
No	Qty	Description	No	Qty	Description
1	1 pc	End Left Facing Door	9	4 sets	Pull w/Screws for Drawer
2	1 pc	Center Left Facing Door	10	4 pcs	Drawer Stop
3	1 pc	Center Right Facing Door	11	8 pcs	Drawer Glide
4	1 pc	End Right Facing Door	12	1 pc	Middle Shelf
5	8 pcs	Door Hinge	13	2 pcs	Side Shelf
6	4 sets	Door Catch	14	4 pcs	Floor Glide
7	4 sets	Knob w/Screw for Door	15	2 pcs	Floor leveler
8	4 pcs	Drawer Complete	16	1 set	Anti-Tip Kit



PLEASE NOTE : To help prevent the possibility of tip-over. Install the ANTI- TIP OVER restraint provided.