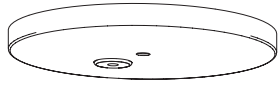


SlimLight™ Canopy Conversion Kit

Item 320700

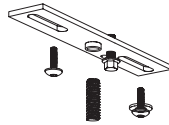
This kit includes a low-profile canopy cover with a power feed hole and the required hardware that will allow you to connect the SlimLight AC power cord and one side of the light's hanging cable to a standard, round ceiling electrical box. One Canopy Kit can power up to 10 SlimLights linked together.

What's Included



One (1) 5 in. round canopy cover plate with power feed hole

Canopy Plate comes powder coated matte white but can be painted to match ceiling color



One (1) mounting cross bar with threaded mounting post and screws



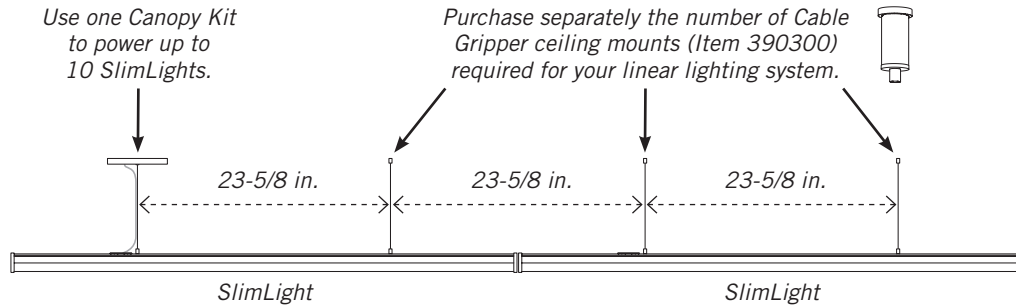
One (1) screw-on Cable Gripper

Other Parts Required

This kit makes use of the stainless steel cables, clear AC power cord, and wire ties included with each SlimLight.

Use one Canopy Kit to power up to 10 SlimLights.

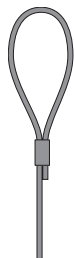
Purchase separately the number of Cable Gripper ceiling mounts (Item 390300) required for your linear lighting system.



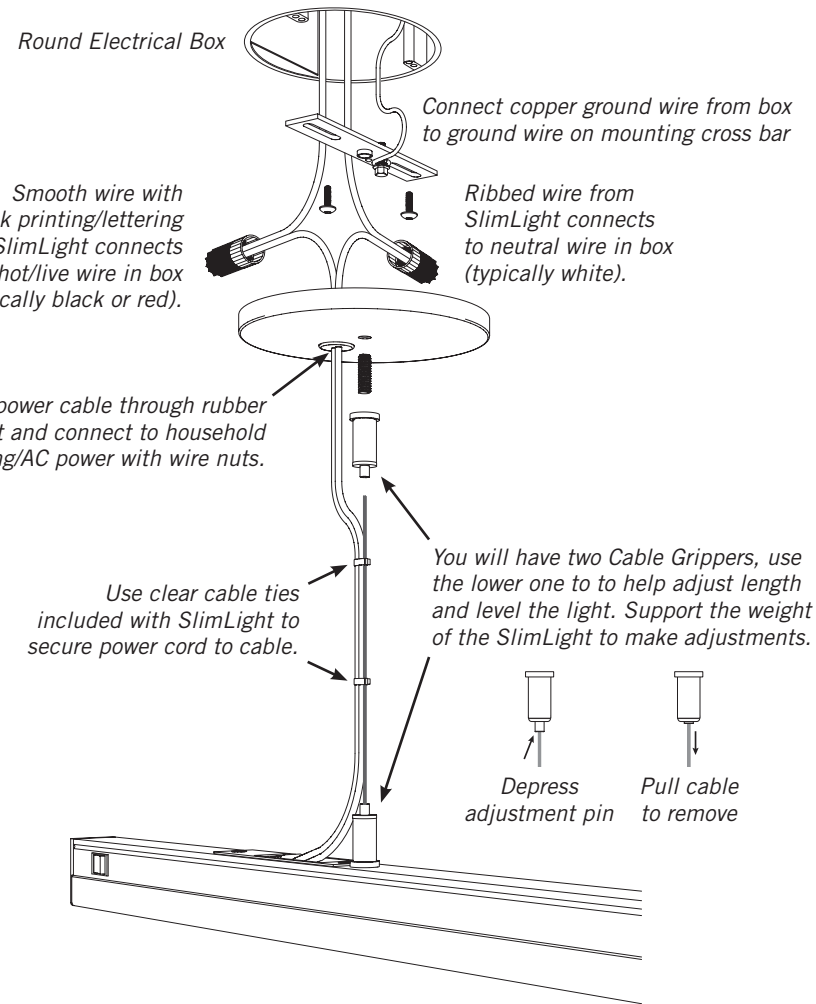
IMPORTANT!

Each SlimLight comes with two (2) 42 in. long stainless steel cables with a hang loop on one end. For a suspended installation using this kit on a smooth ceiling, the loop will need to be cut off, and a Cable Gripper will be used. The cables may also be shortened to fit your installation.

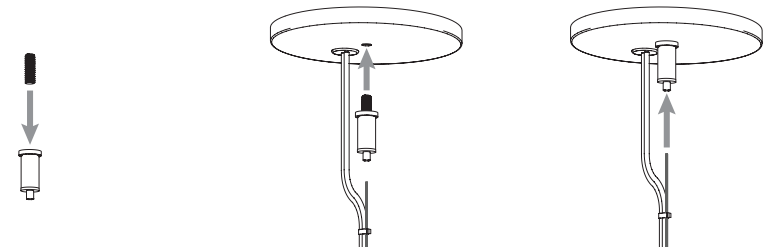
Use only cable cutters designed for cutting wire rope or steel aircraft cables. A clean cut is required for the cable to insert properly into the Cable Gripper, do not fray wire ends. Common electrical wire cutters are designed for soft copper and will be damaged by the stainless steel cable.



Remove loop and cut cable to length needed



Installing cable gripper onto cover plate



1. Screw threaded mounting post into Cable Gripper and hand tighten

2. Screw post/Cable Gripper assembly through cover plate into cross bar until hand-tight

3. Insert cable into gripper

Questions? Email support@armacostlighting.com.