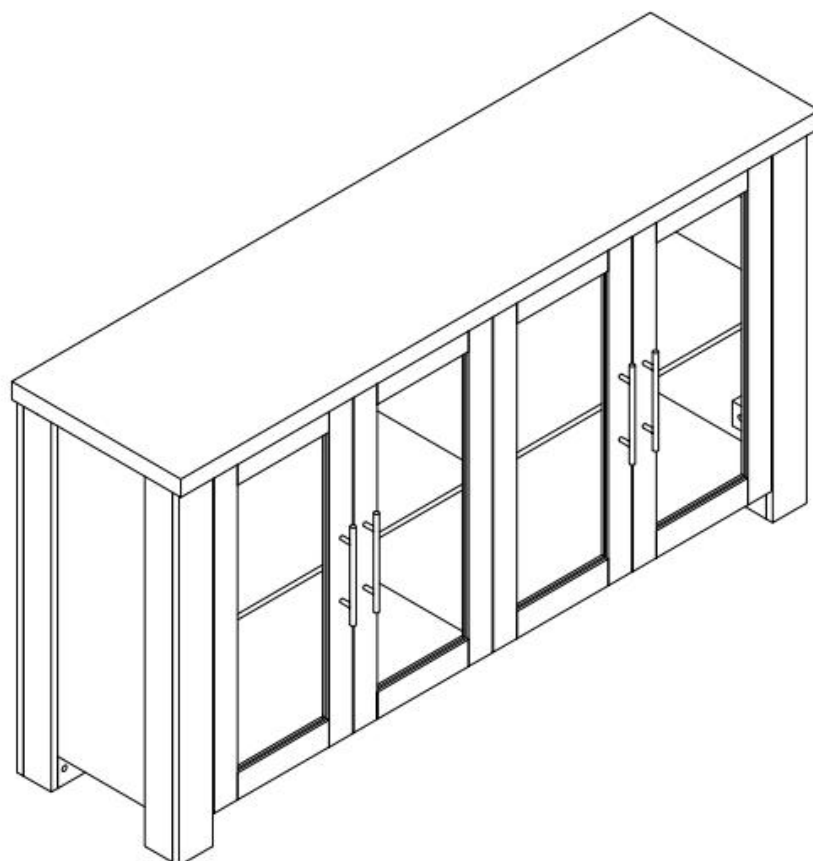
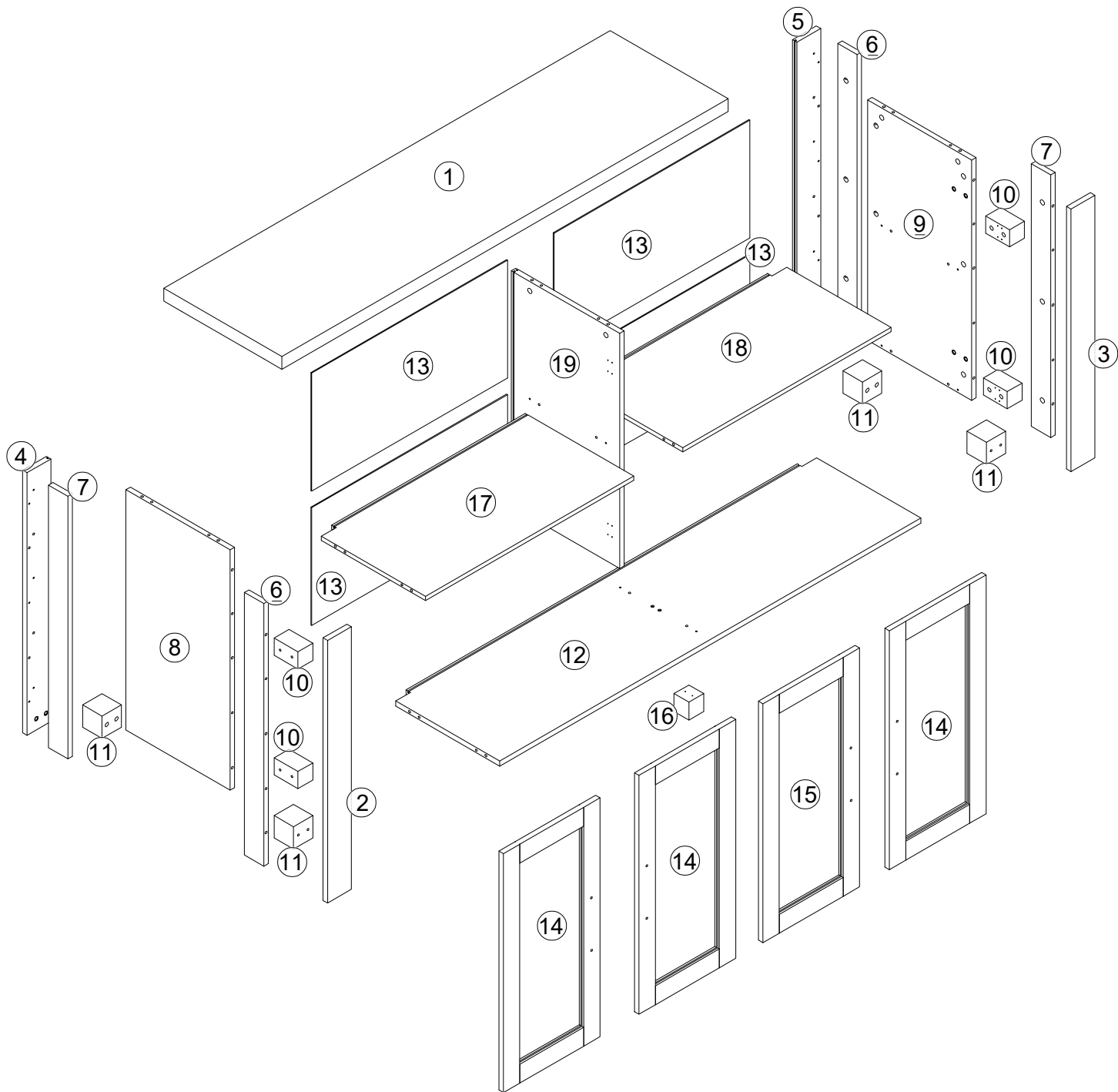





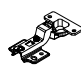
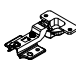
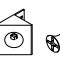

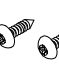
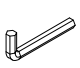




CABINET

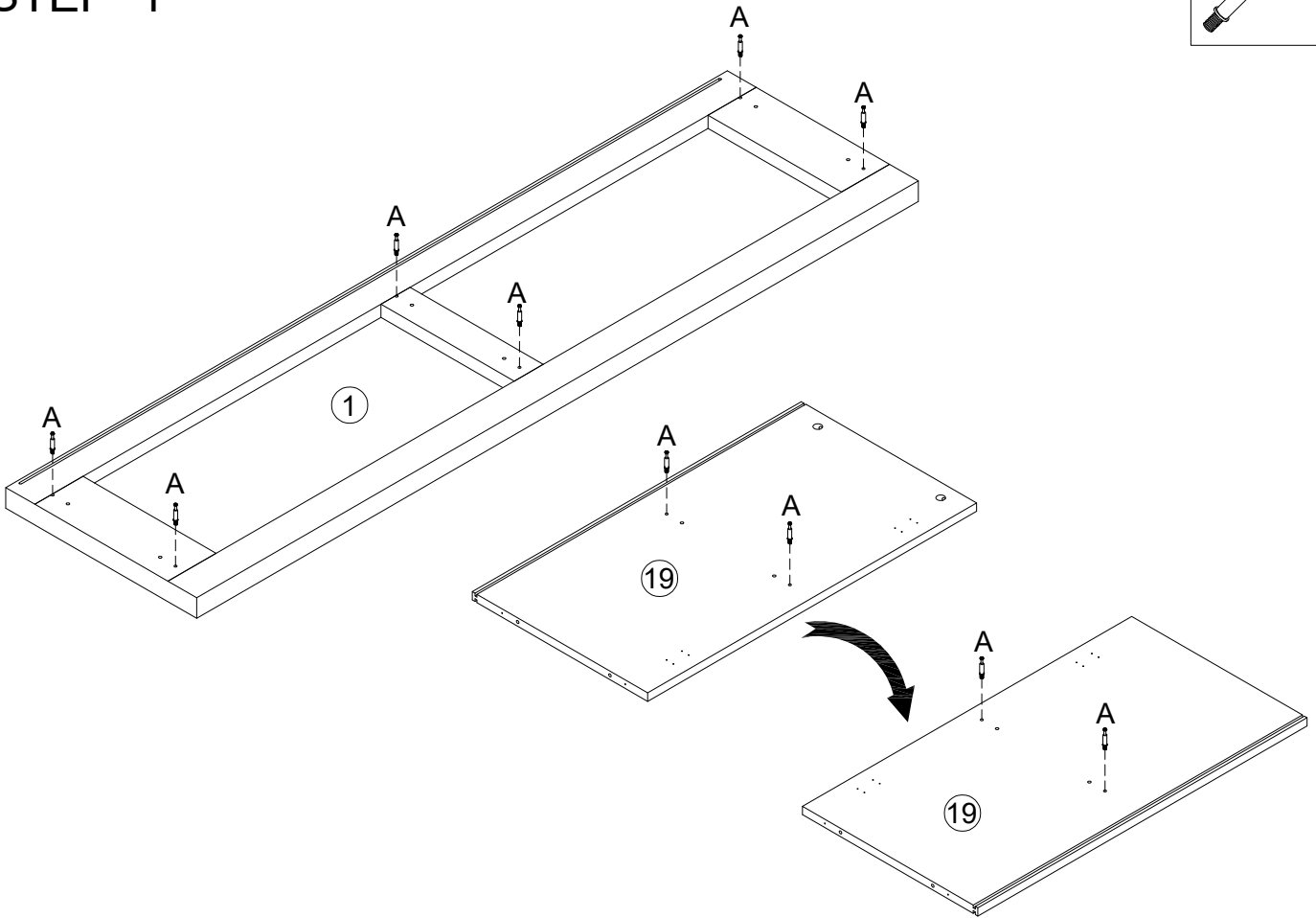




 Ax42	 Bx42	 Cx36 6x30mm	 Dx8 4x20mm	 Ex48 4x14mm	 Fx16 6x50mm	 Gx4
 Hx4	 Ix16	 Jx4	 Kx2	 Lx1	 Mx4 4x35mm	
 Nx1						

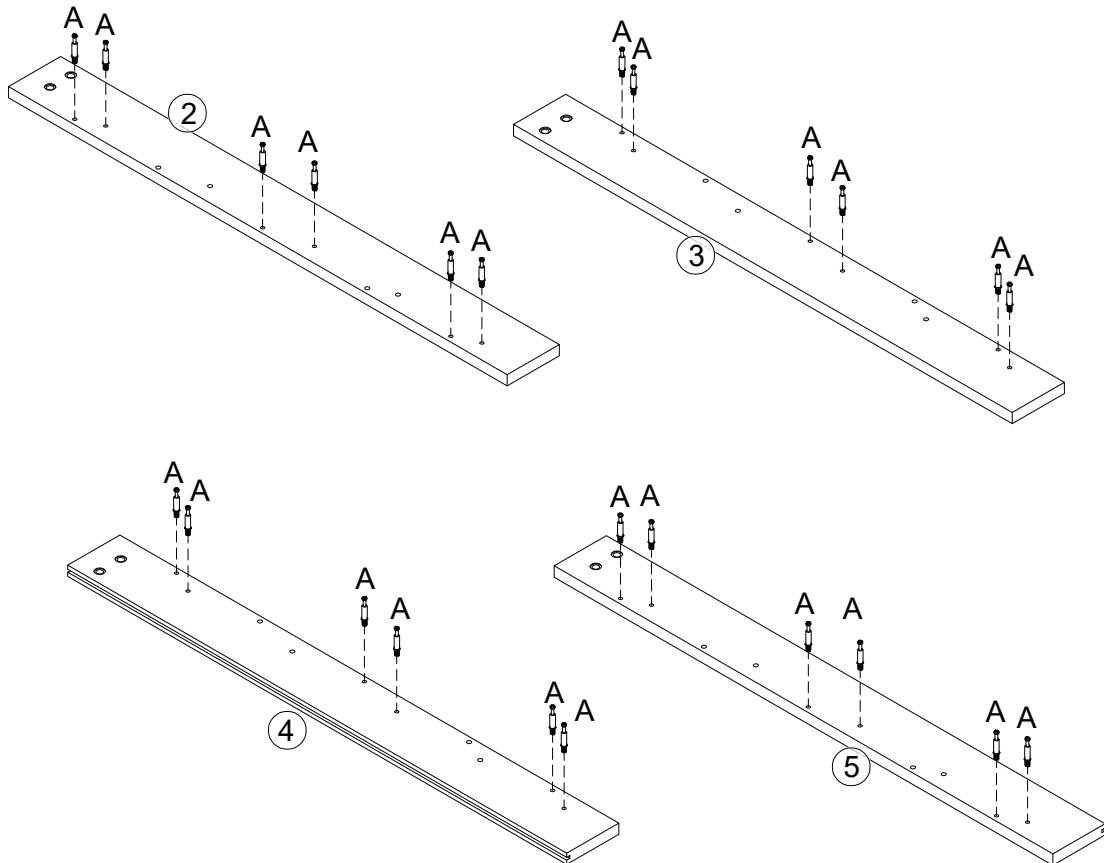
STEP 1

 Ax10



STEP 2

 Ax24



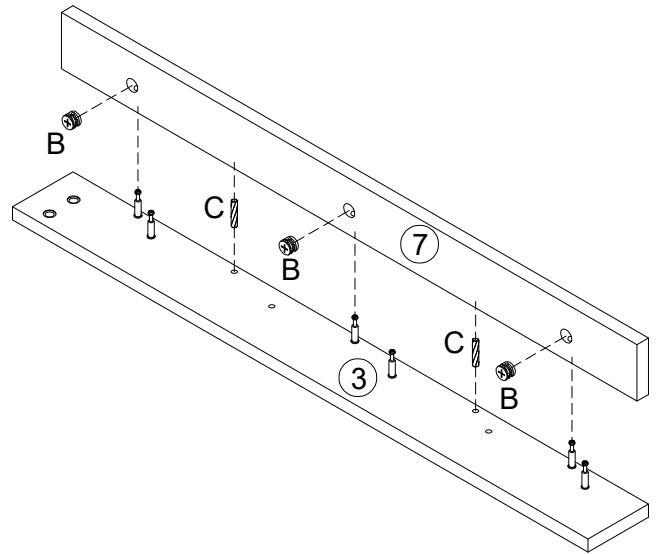
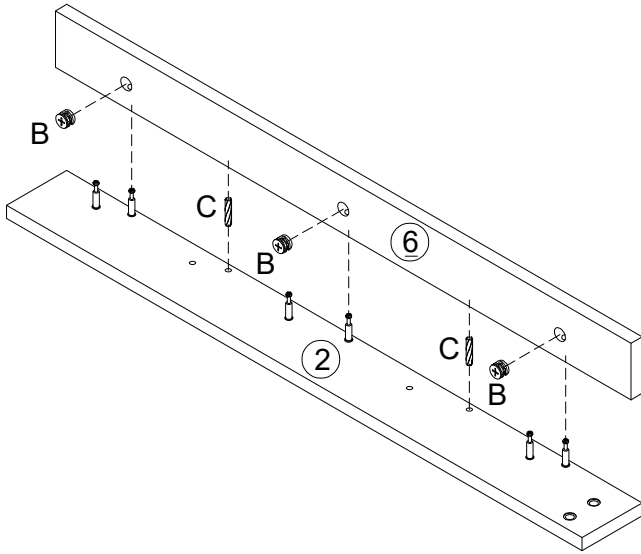
STEP 3



Bx6



Cx4
6x30mm



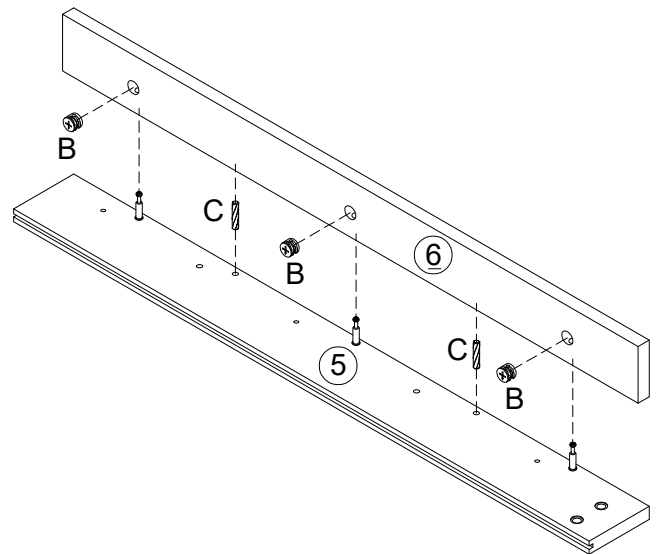
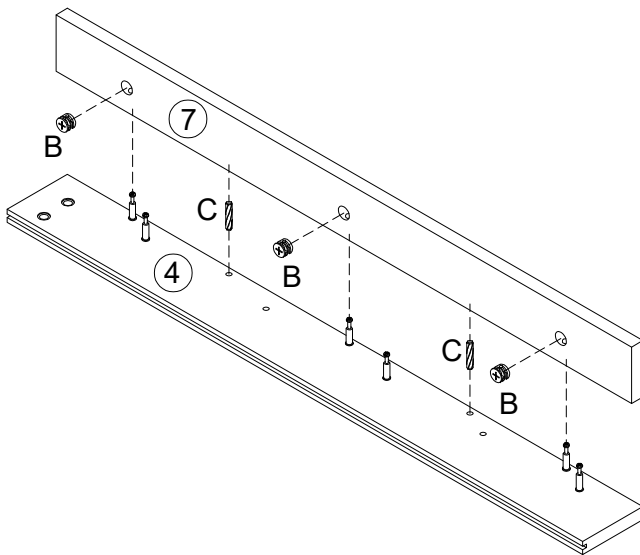
STEP 4



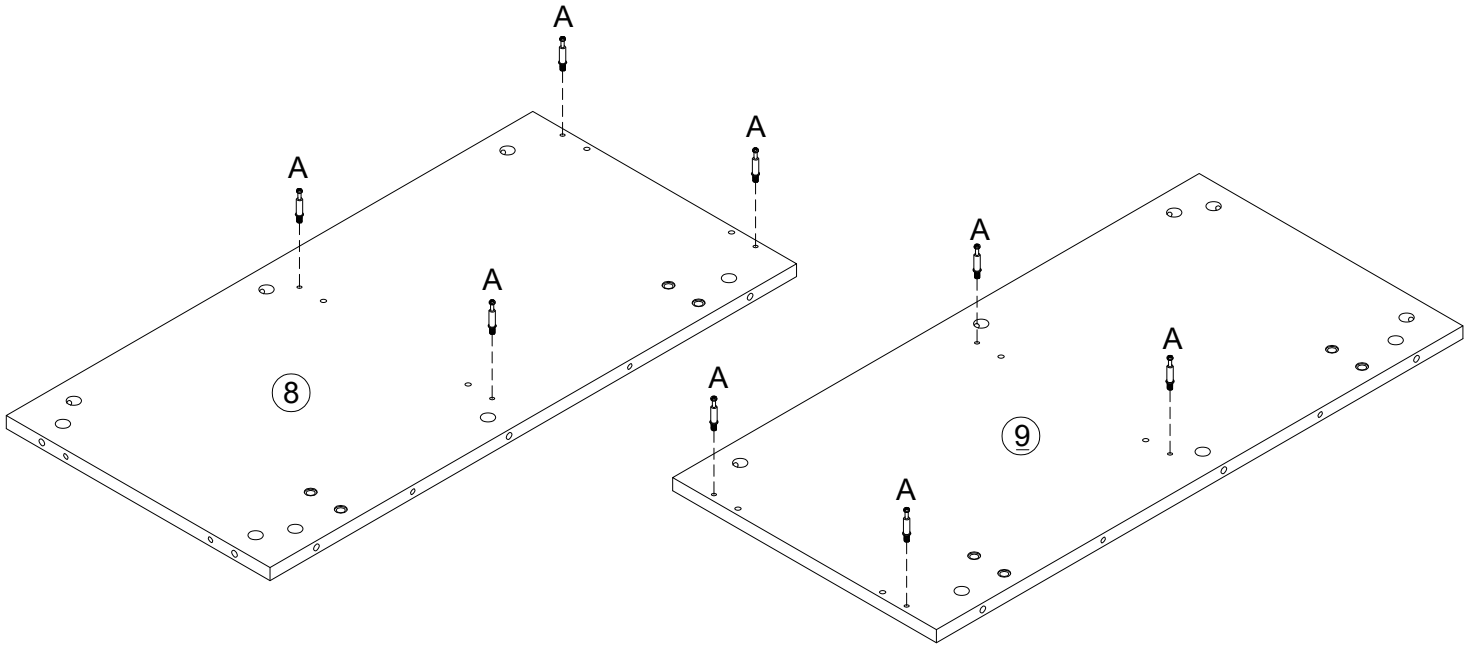
Bx6



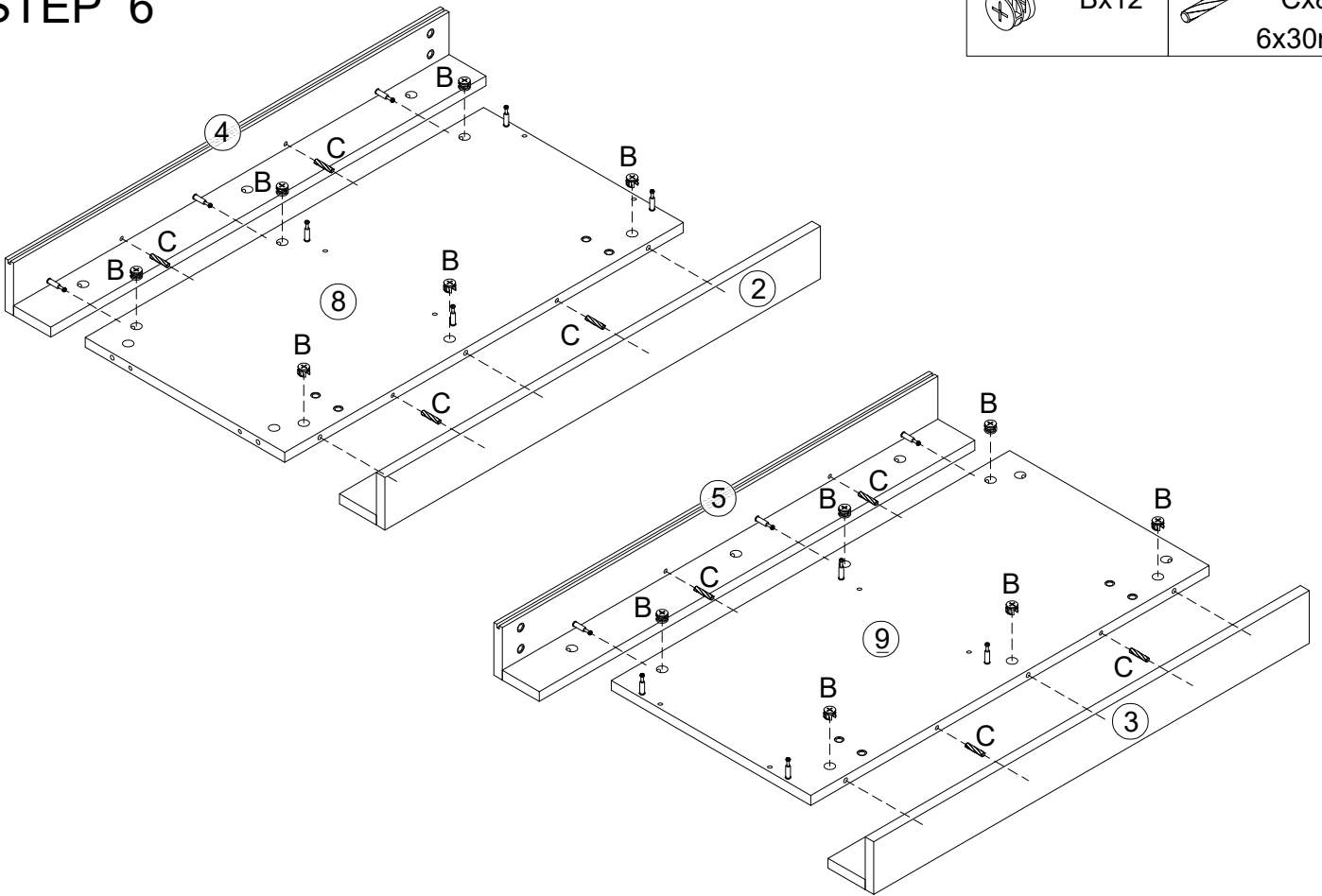
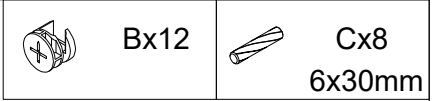
Cx4
6x30mm




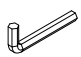
STEP 5

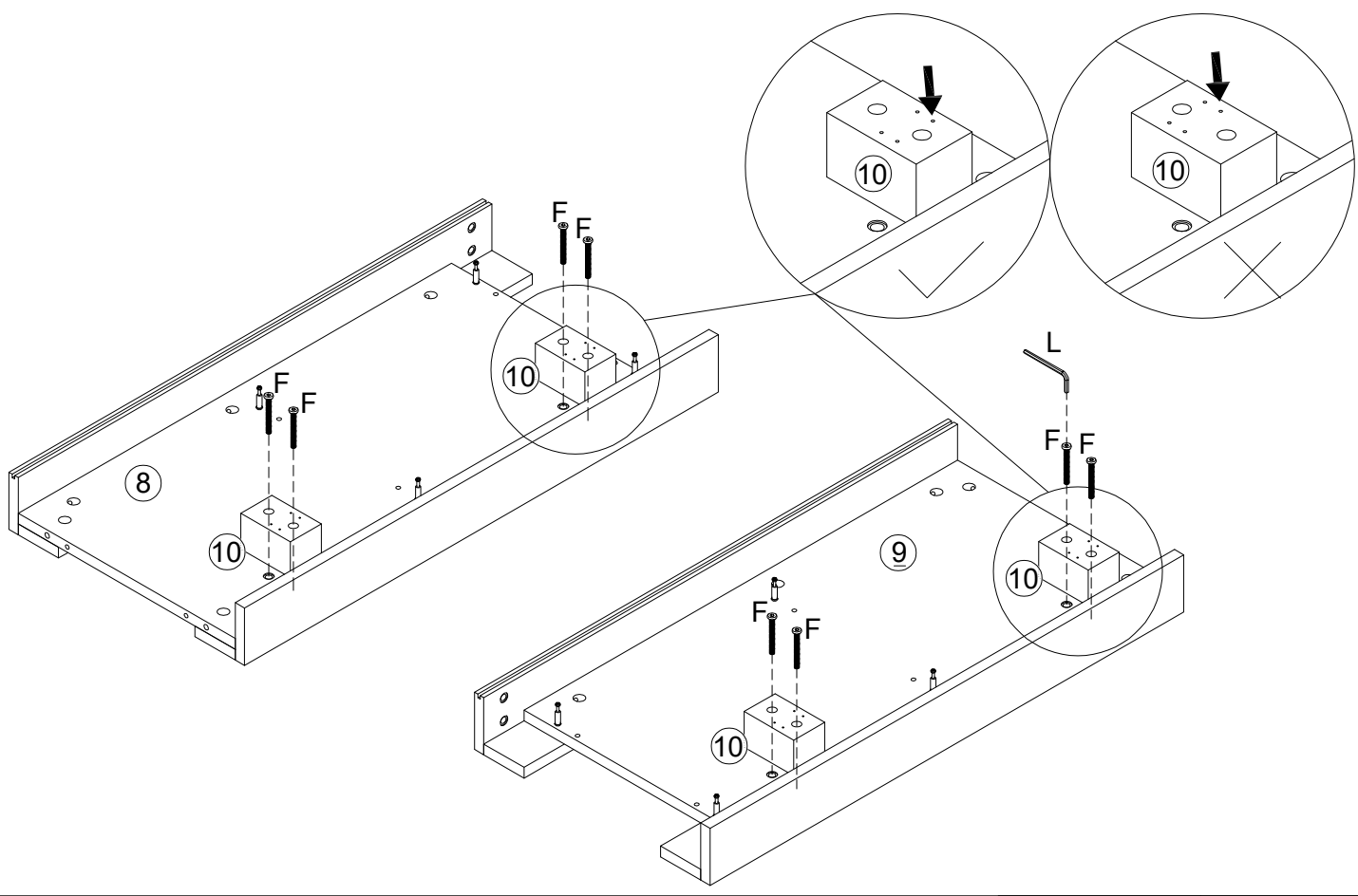


STEP 6





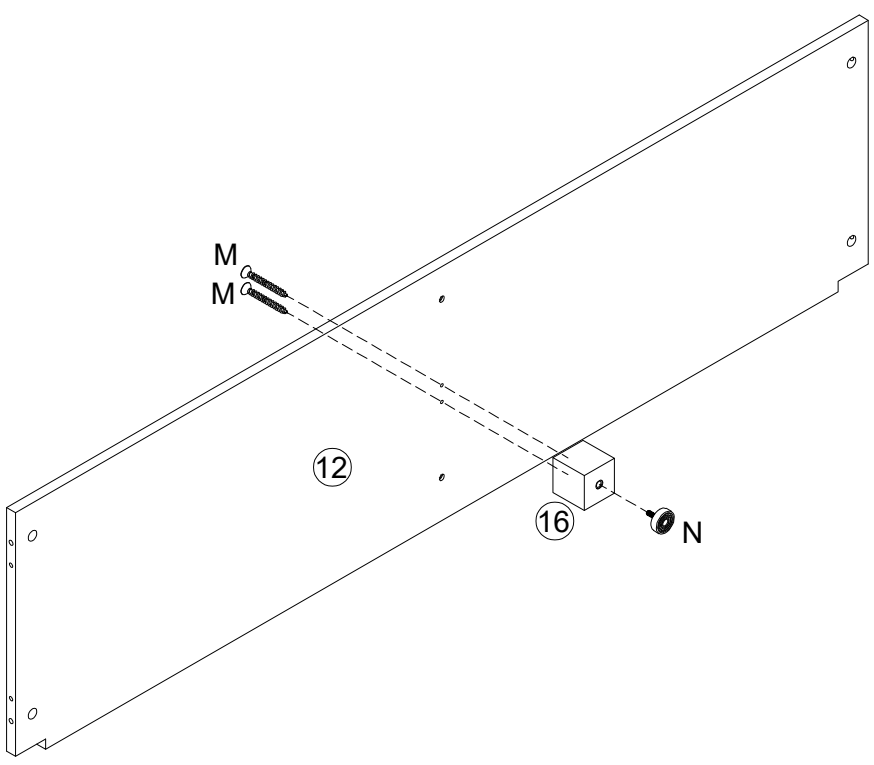
STEP 7

- | | |
|--------------------------------------------------------------------------------------------------|----------------------------------------------------------------------------------------|
|  Fx8
6x50mm |  Lx1 |
|--------------------------------------------------------------------------------------------------|----------------------------------------------------------------------------------------|



STEP 8

- | | |
|-----------------------------------------------------------------------------------------------------|-------------------------------------------------------------------------------------------|
|  Mx2
4x35mm |  Nx1 |
|-----------------------------------------------------------------------------------------------------|-------------------------------------------------------------------------------------------|



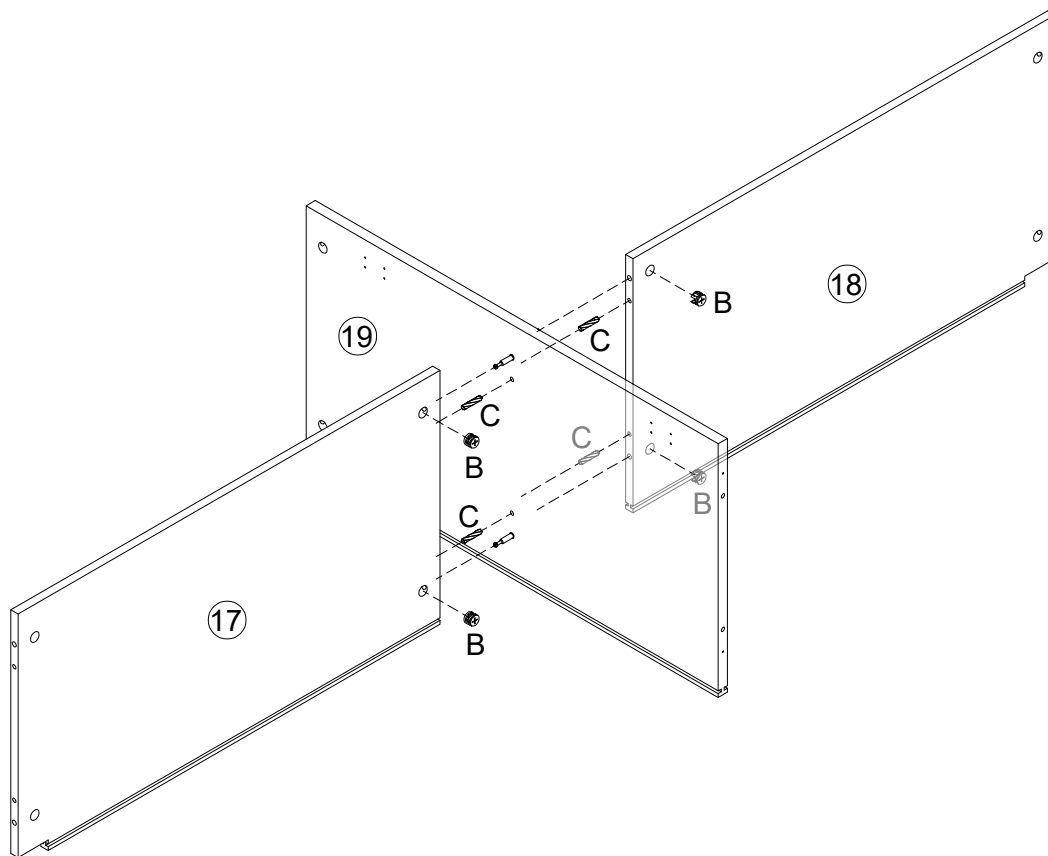
STEP 9



Bx4



Cx4
6x30mm



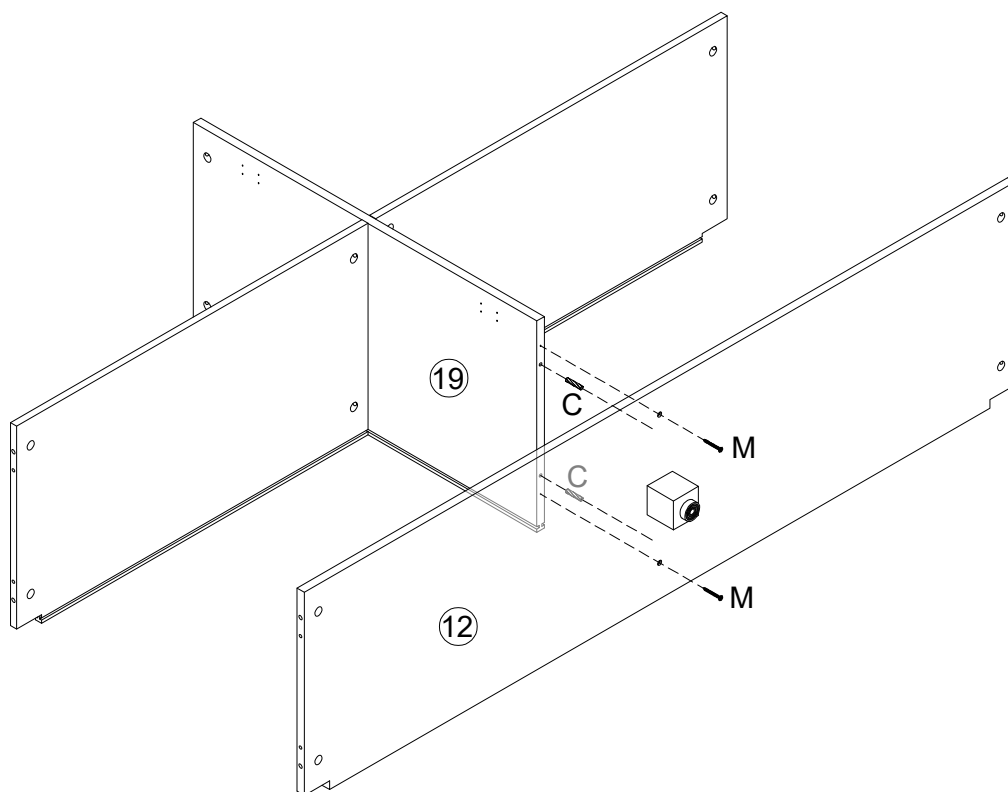
STEP 10



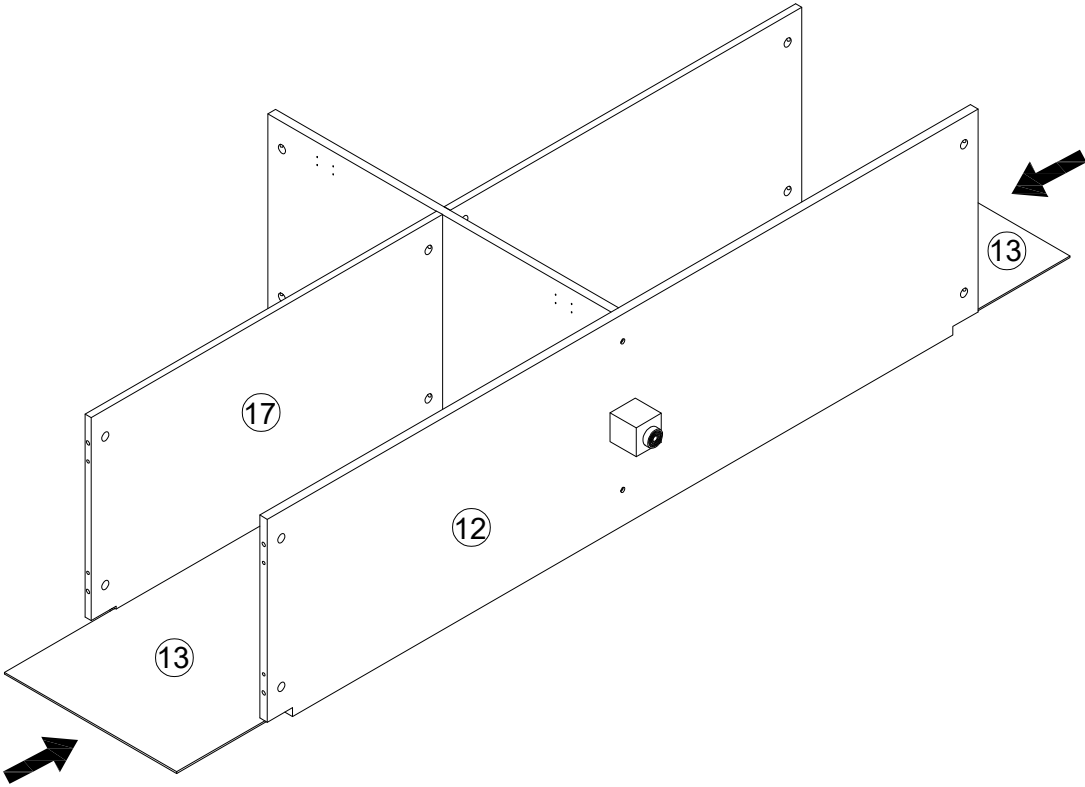
Cx2
6x30mm





Mx2
4x35mm

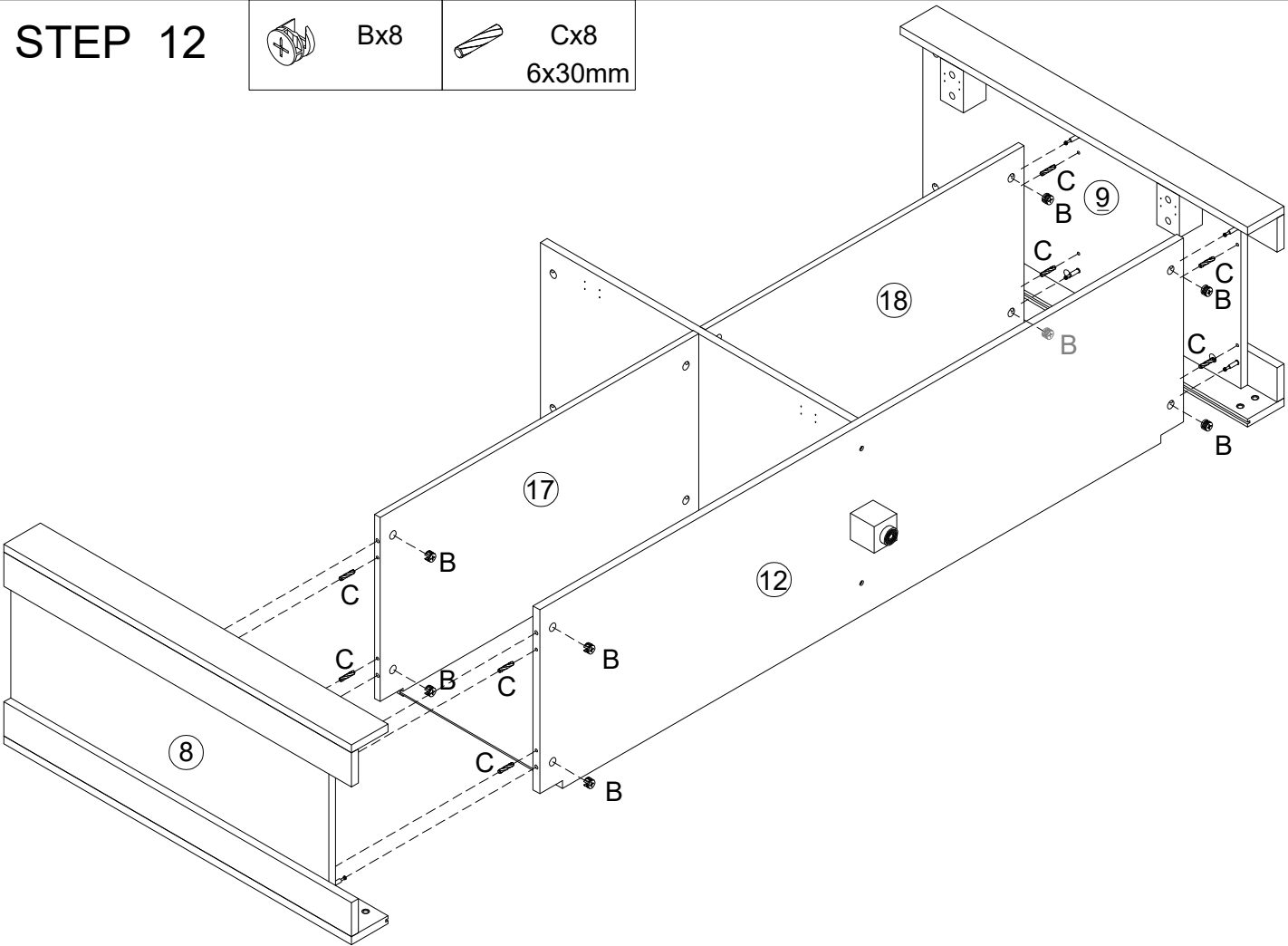


STEP 11



STEP 12

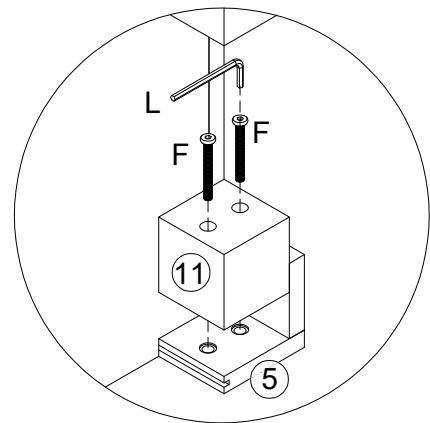
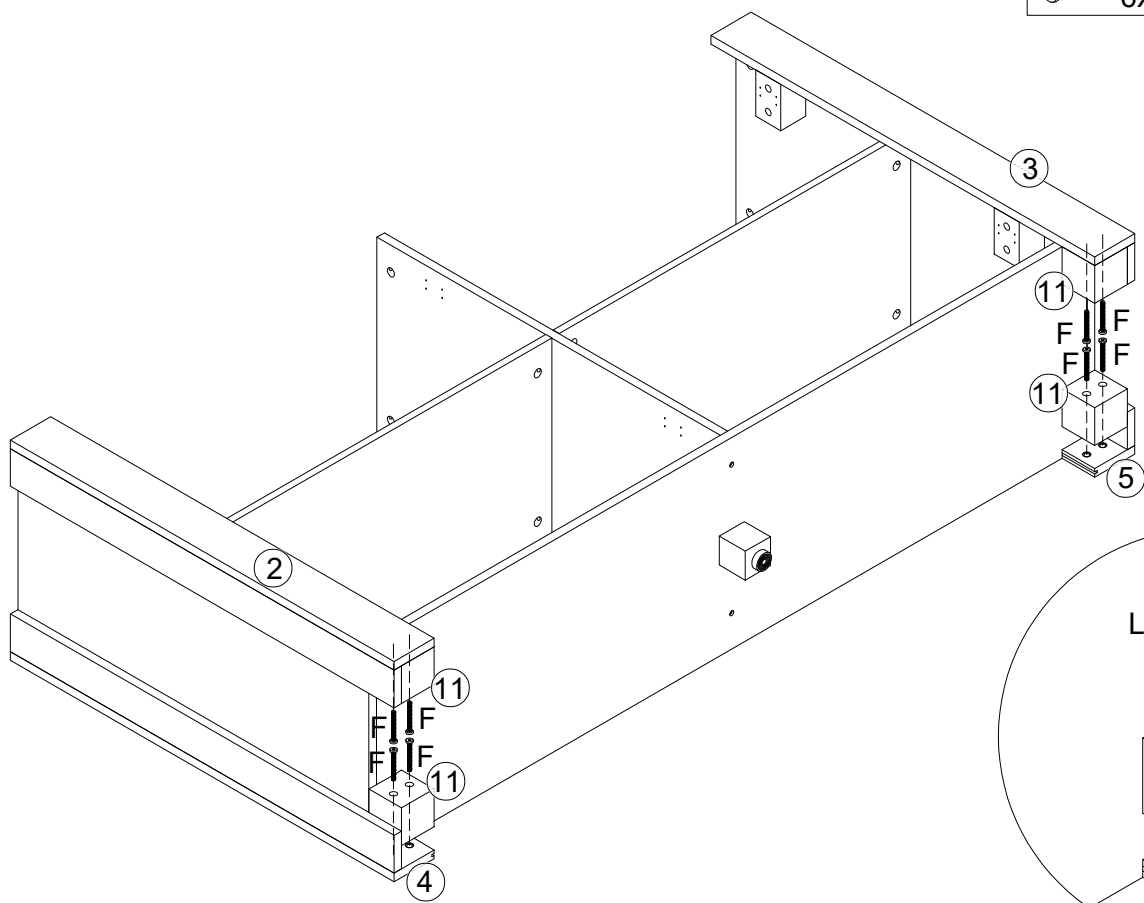
	Bx8		Cx8 6x30mm
-------------------------------------------------------------------------------------	-----	-------------------------------------------------------------------------------------	---------------



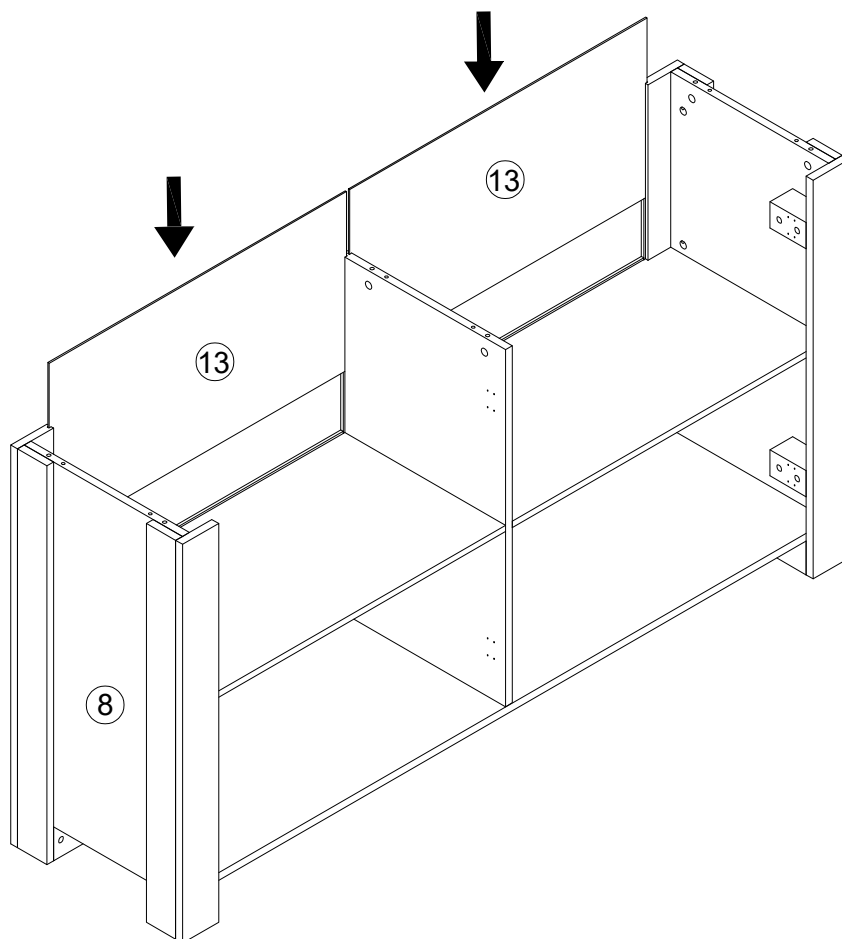
STEP 13

Fx8
6x50mm

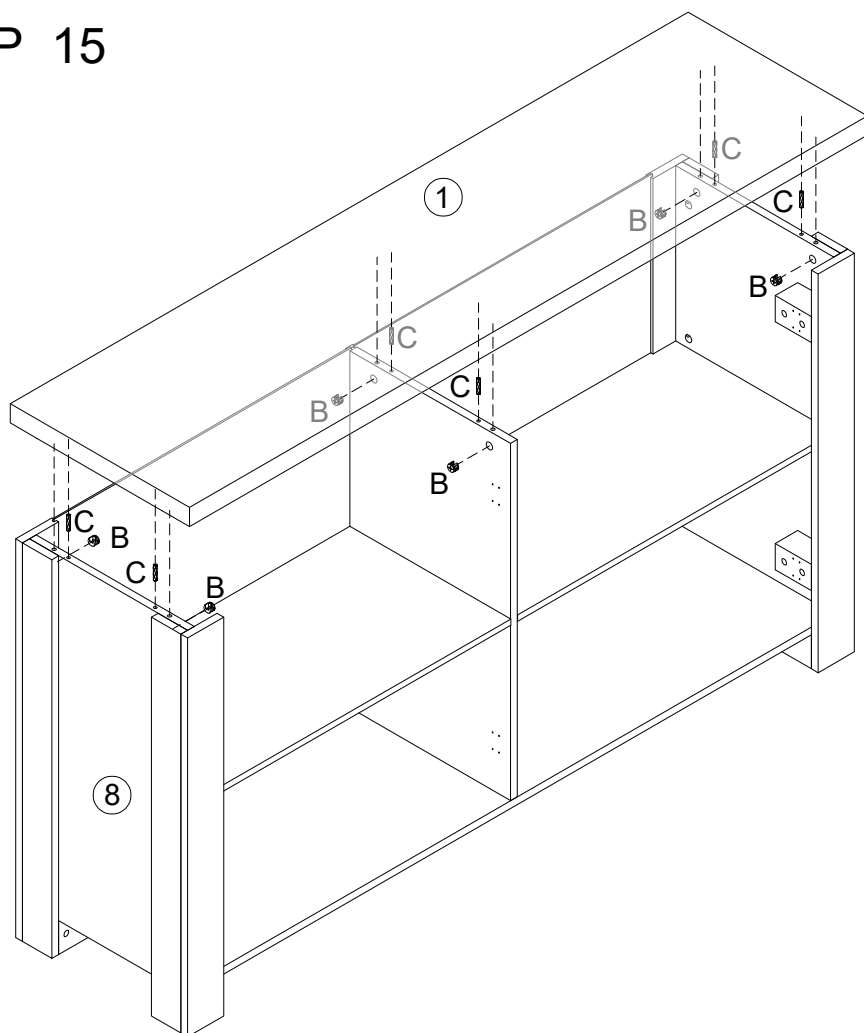
Lx1



STEP 14



STEP 15

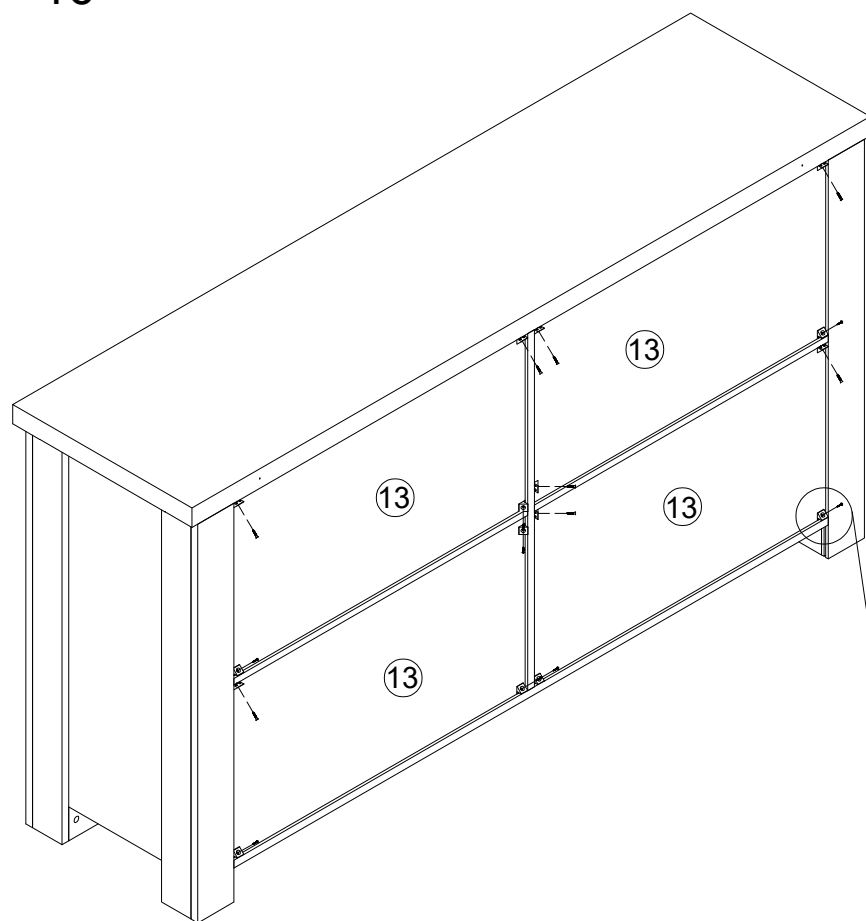


Bx6

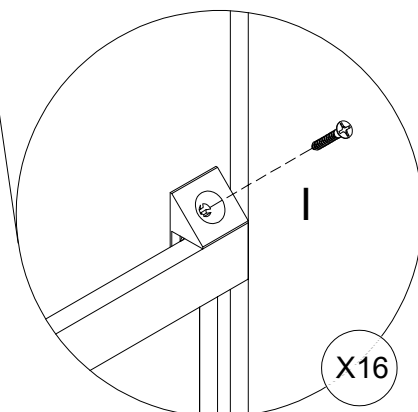


Cx6
6x30mm




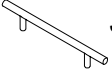
STEP 16

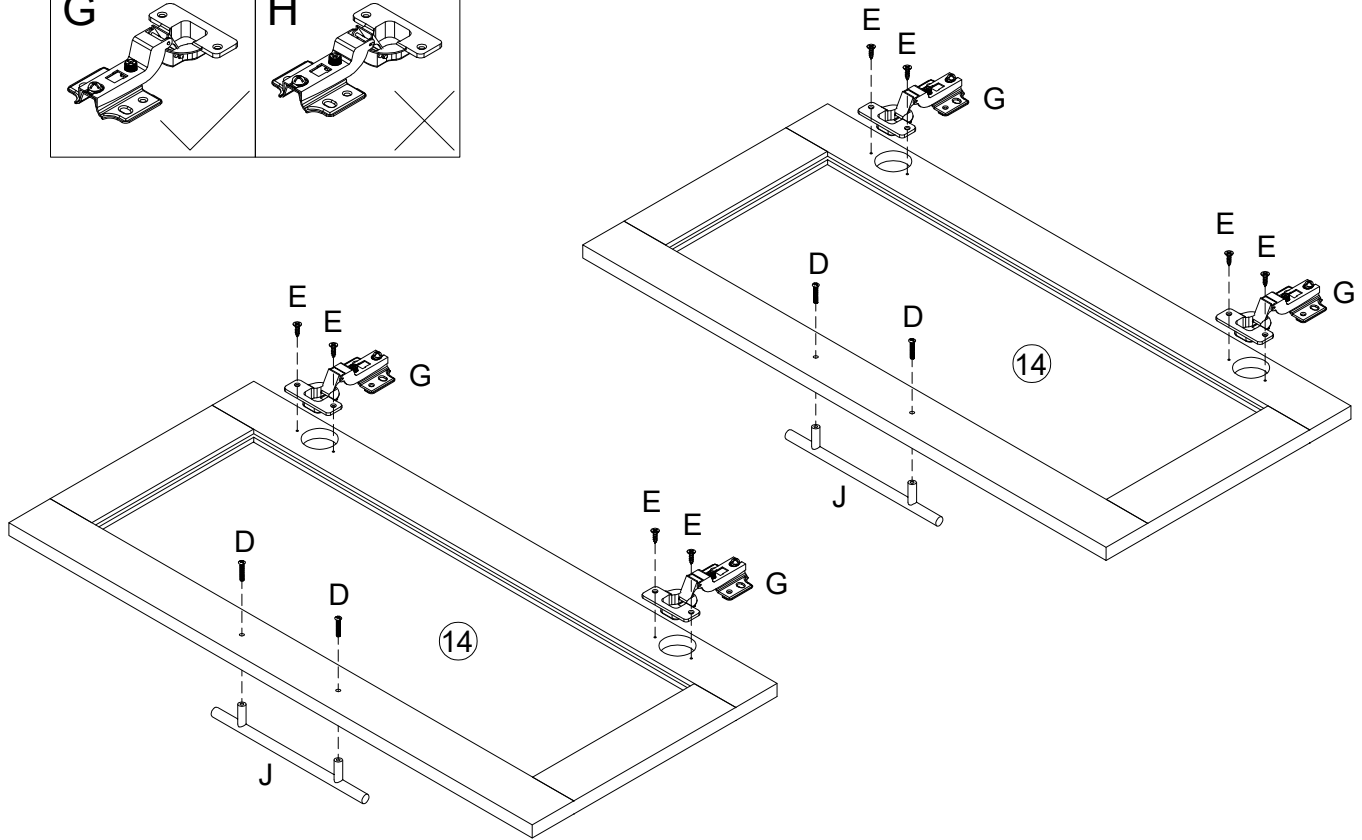
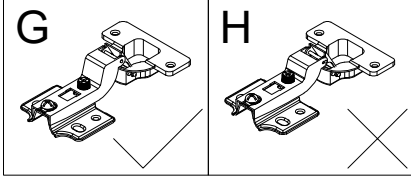


Ix16




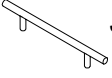


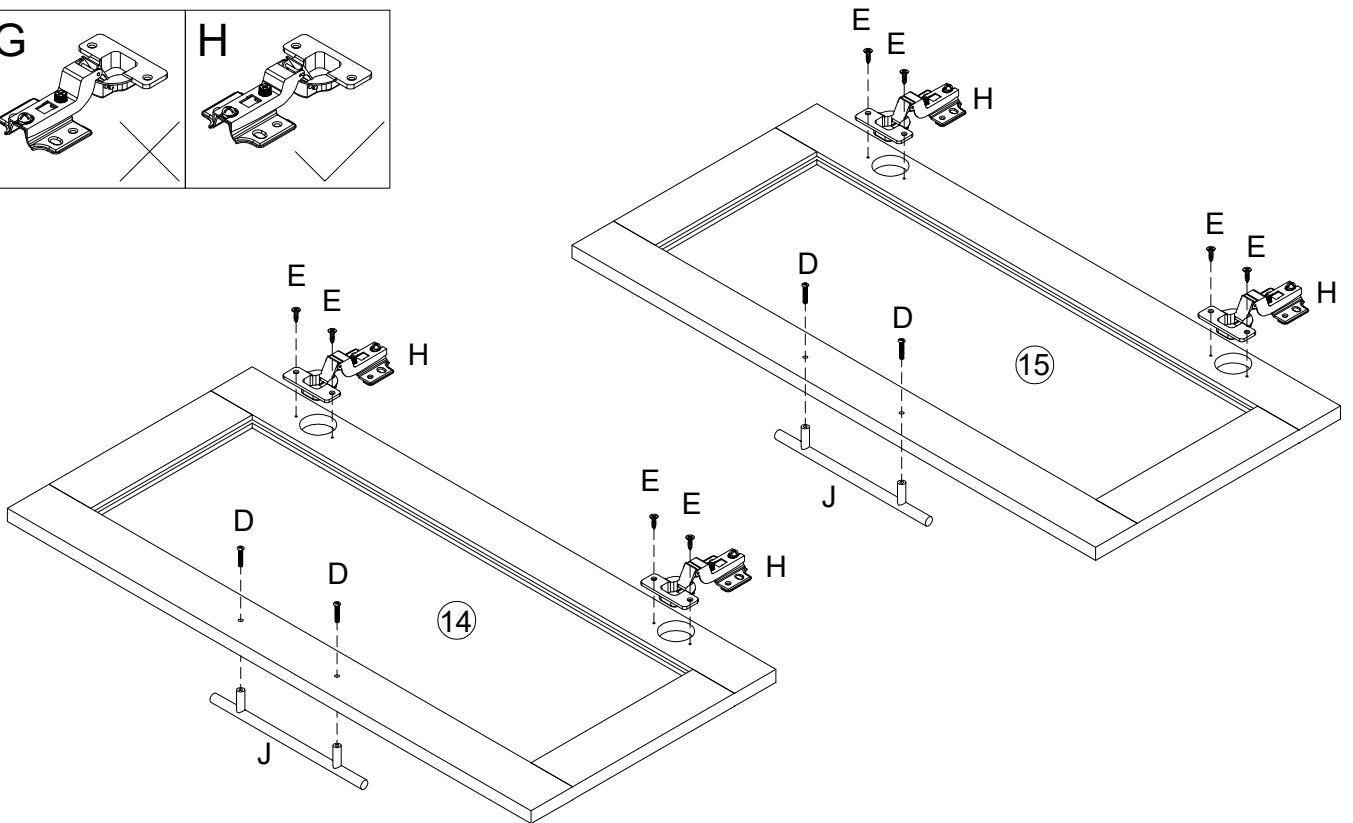
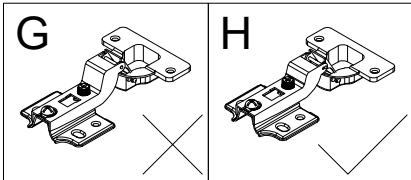
STEP 17

 Dx4 4x20mm	 Ex8 4x14mm	 Gx4	 Jx2
-------------------------------------------------------------------------------------------------	-------------------------------------------------------------------------------------------------	----------------------------------------------------------------------------------------	----------------------------------------------------------------------------------------



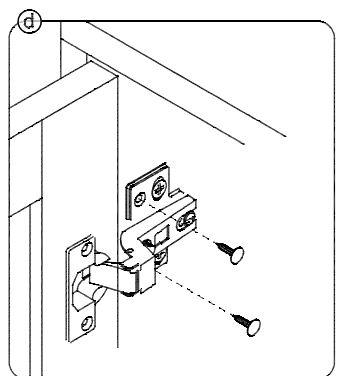
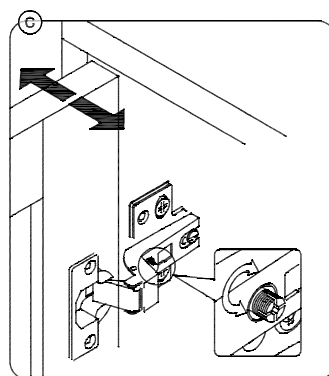
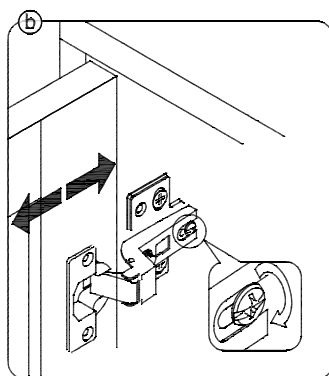
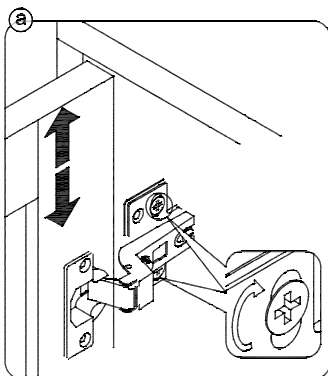
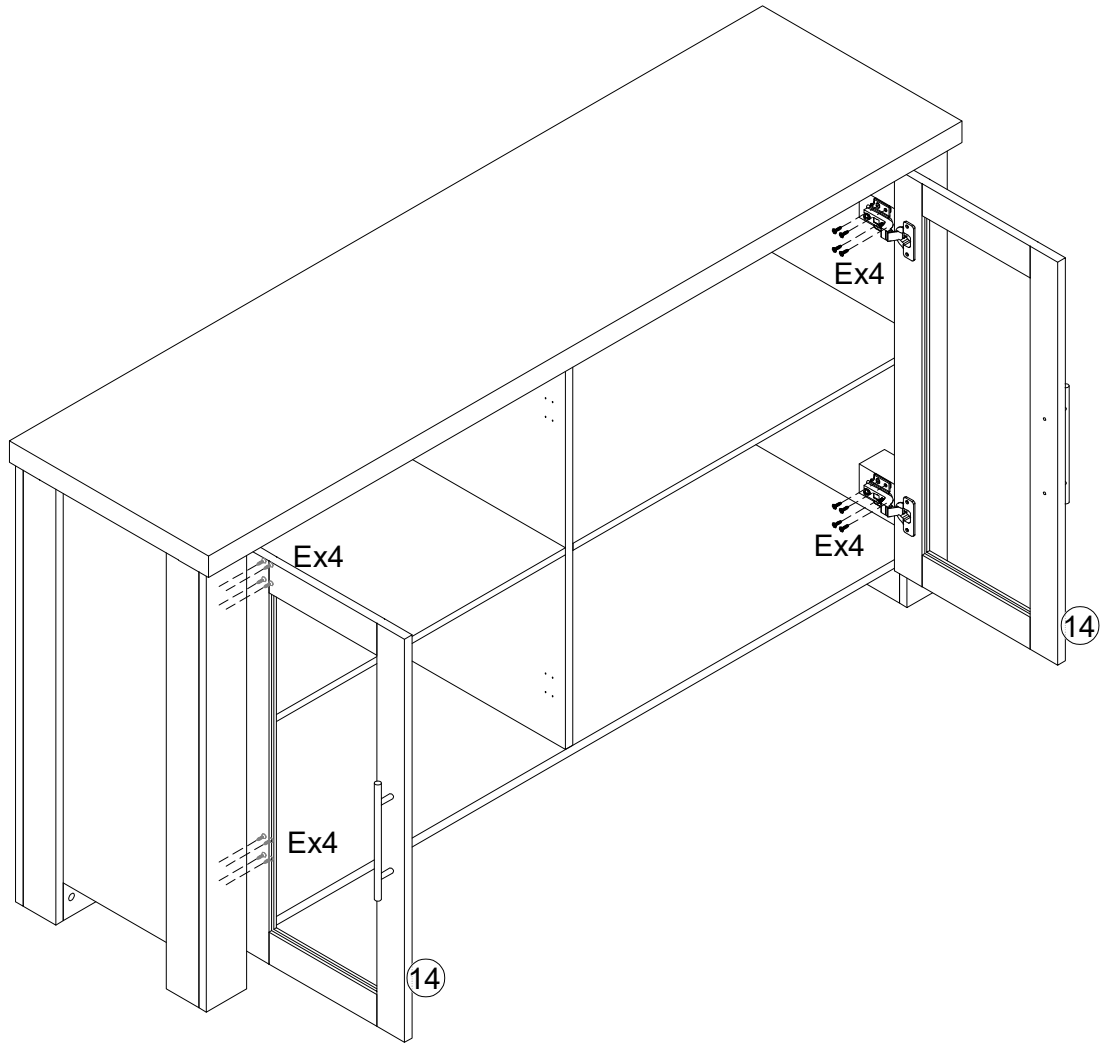
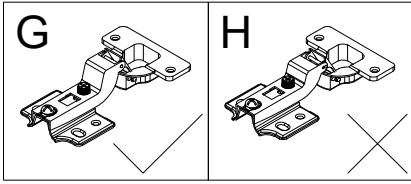
STEP 18

 Dx4 4x20mm	 Ex8 4x14mm	 Hx4	 Jx2
---------------------------------------------------------------------------------------------------	---------------------------------------------------------------------------------------------------	-------------------------------------------------------------------------------------------	-------------------------------------------------------------------------------------------



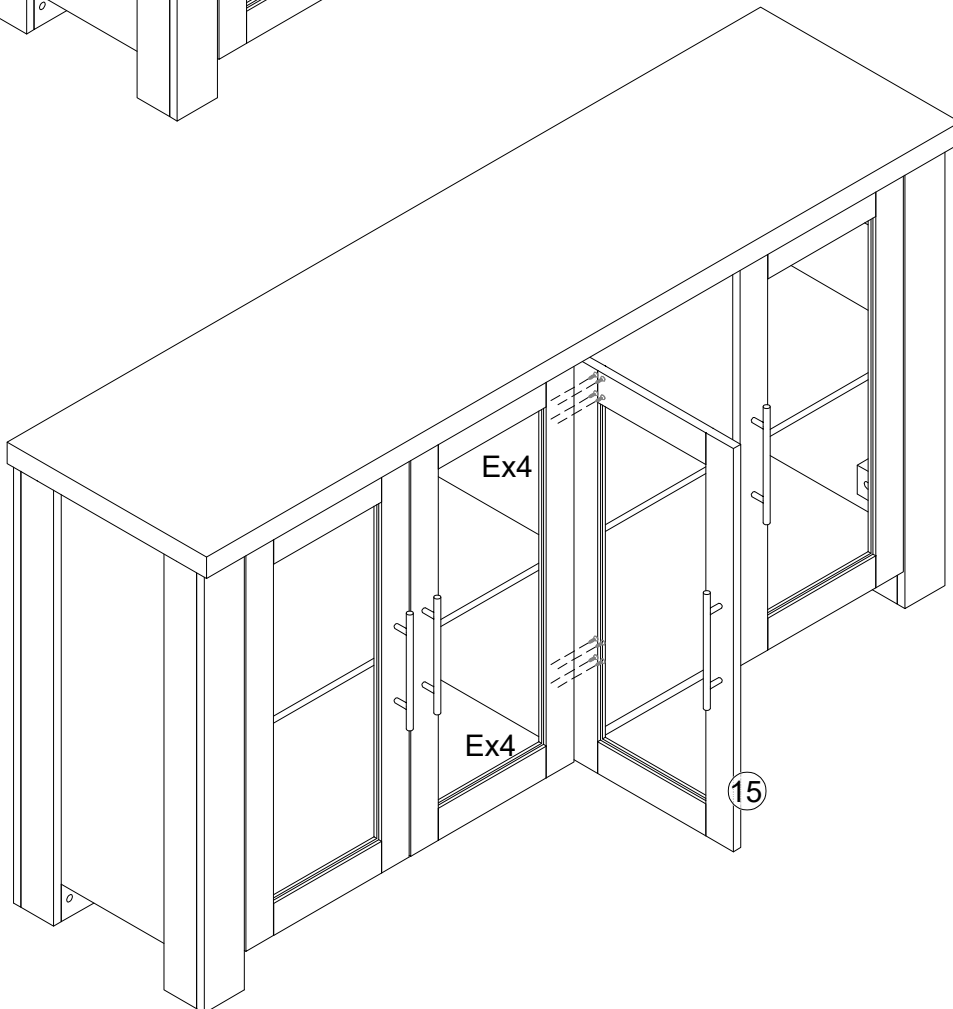
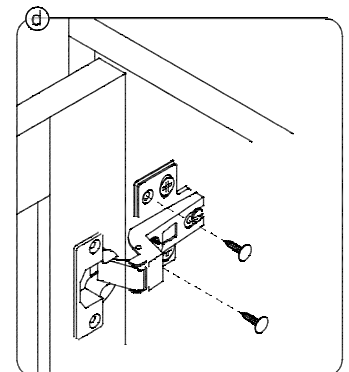
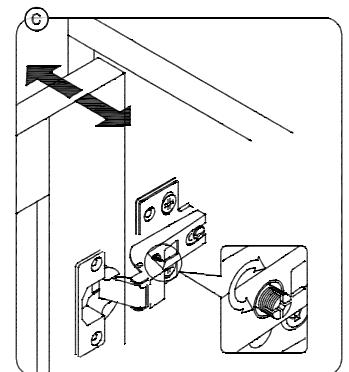
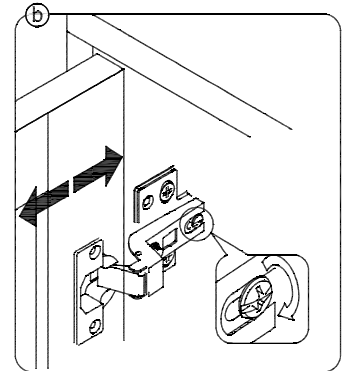
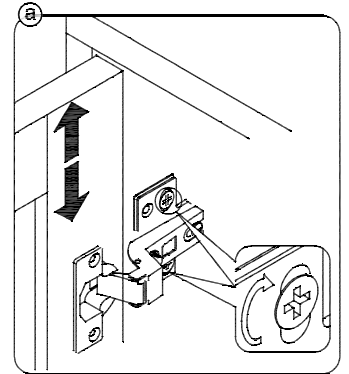
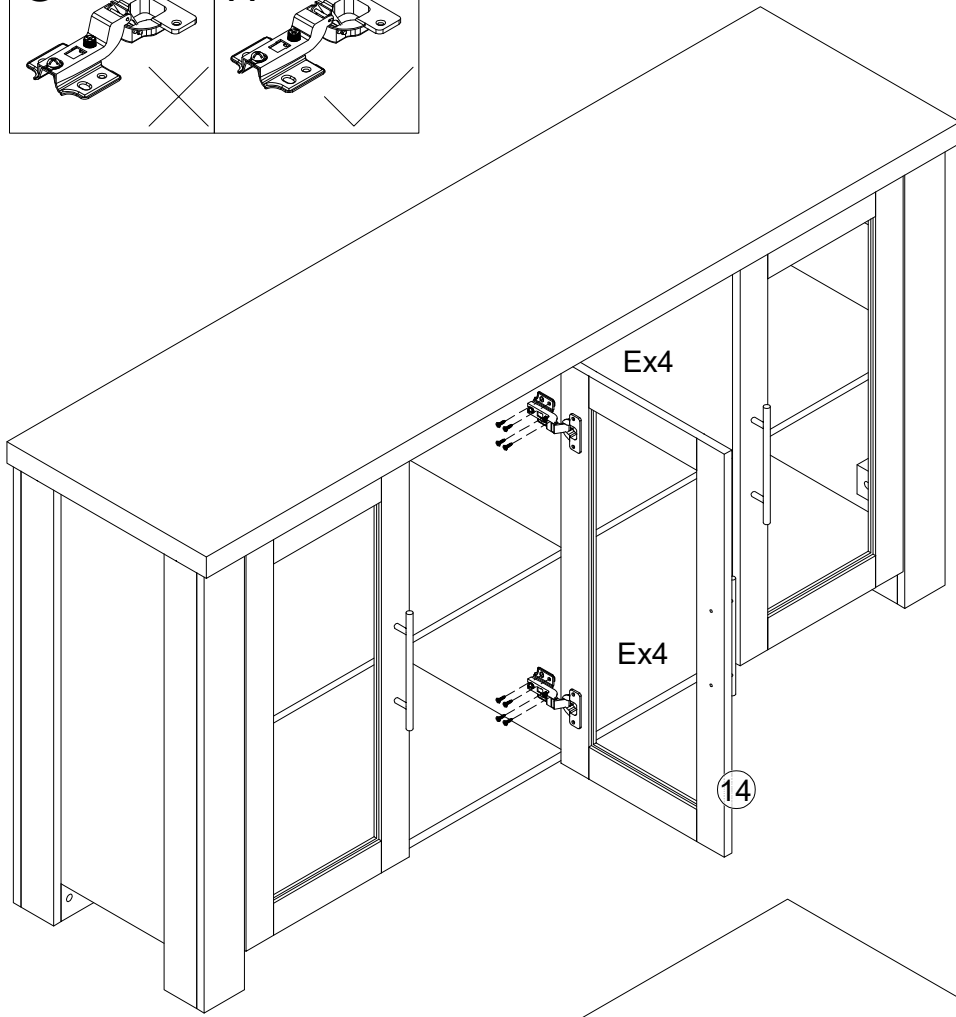
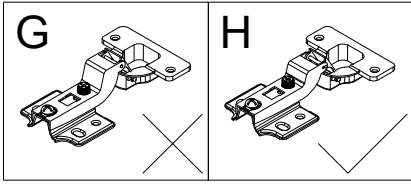
STEP 19

Ex16
4x14mm



STEP 20

Ex16
4x14mm



STEP 21

