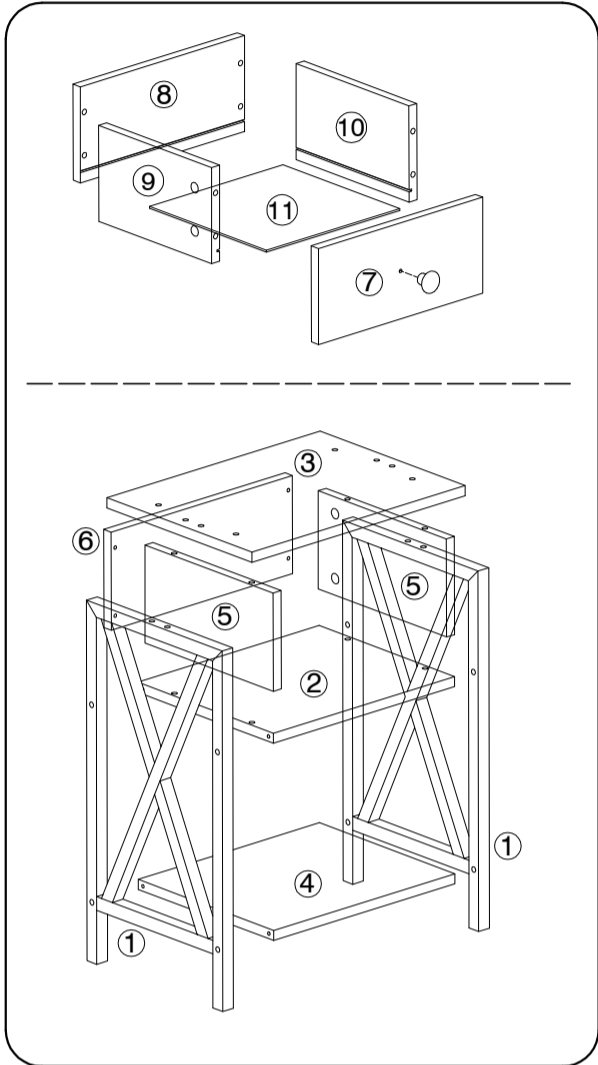


Assembly Instructions

Tips!

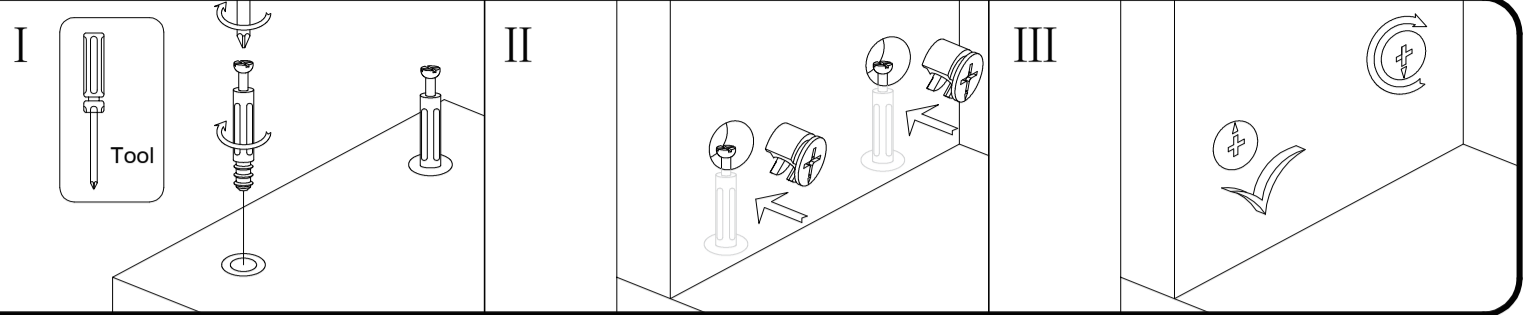
Check all the components & screws before assembly. .



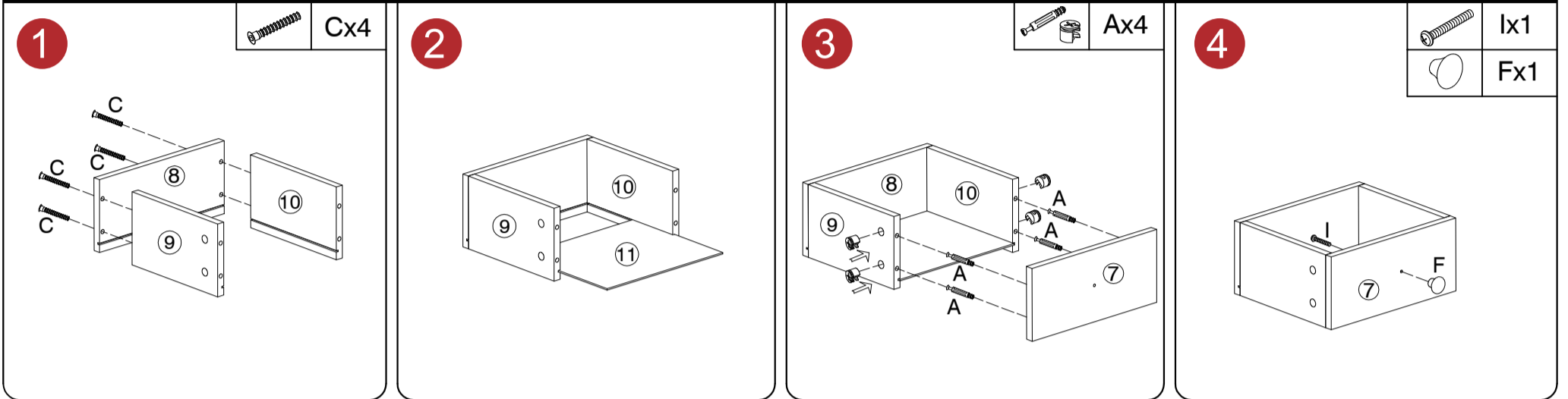
| | | | | | |
|-----------|--|----------|-----------|--|----------|
| 1 | | 2 | 2 | | 1 |
| 3 | | 1 | 4 | | 1 |
| 5 | | 2 | 6 | | 1 |
| 7 | | 1 | 8 | | 1 |
| 9 | | 1 | 10 | | 1 |
| 11 | | 1 | | | |

| | | | | | | | | | | | | | | |
|----------|--|----------|----------|--|----------|----------|--|-----------|----------|--|----------|----------|--|----------|
| A | | 8 | B | | 8 | C | | 12 | D | | 4 | E | | 2 |
| F | | 1 | G | | 4 | H | | 1 | I | | 1 | J | | 1 |

"A" Hardware installation example

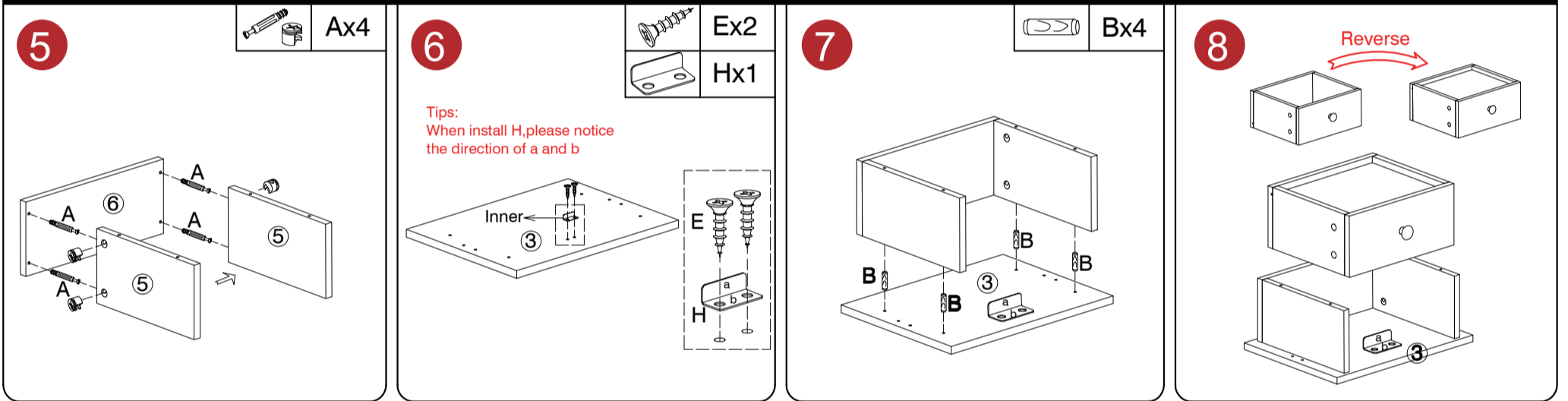


StepA:Drawer Assembly

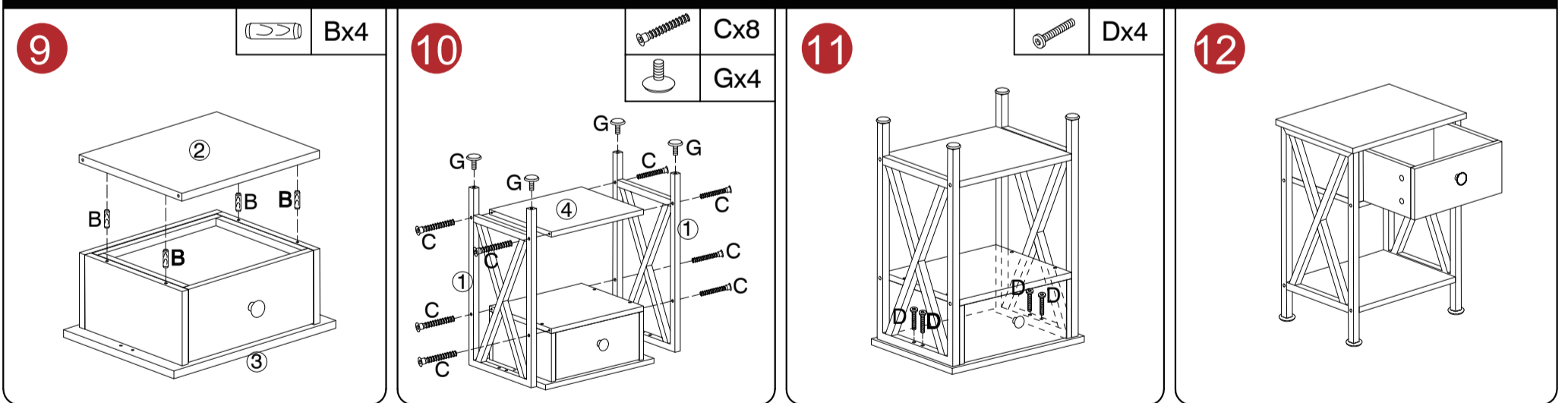


StepB:Drawer Outer Frame Assembly (5 6 7)

StepC:Assemble Drawer Embed in Drawer Outer Frame(8)



StepD:Main frame assembly



StepE:Check and tighten all screws

