



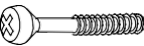
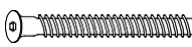


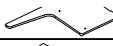
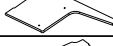






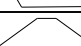

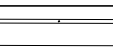
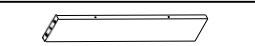
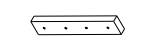
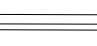
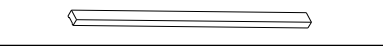
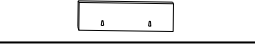


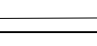
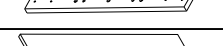

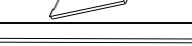
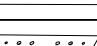
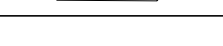



ASSEMBLY INSTRUCTIONS

Solid Wood Corner Dining Set

Avoid using sharp objects such as a knife to cut open packing as you may accidentally damage the item.

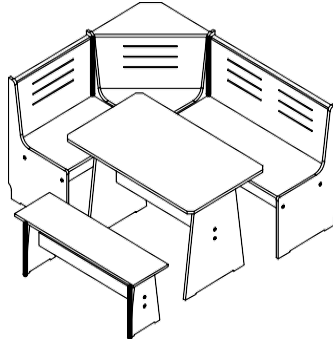
PARTS LIST

ITEM	DESCRIPTION	SKETCH	QUANTITY
HW1	Dowel : 8x30mm		32x
HW2	Dowel : 8x50mm		8x
HW3	Screw : 4,0x25mm		6x
HW4	Screw : 4,0x30mm		35x
HW5	Screw : 4,0x35mm		44x
HW6	Screw : 7,0x50mm		4x
HW7	Screw : 7,0x50mm		16x
HW8	Allen Key		1x
A	Right side leg		1X
B	Center leg right side		1x
C	Center leg left side		1x
D	Left side leg		1x
E	Narrow back rest panel		1x
F	Corner back rest panel		1x
G	Wide back rest panel		1x
H	Wide seat		1x
I	Narrow seat		1x
J	Corner top		1x
K	Corner seat		1x
L	Wide cross rail		2x
M	Narrow cross rail		2x
N	Cleats support		4x
O	Wide top rail		1x
P	Narrow top rail		1x
Q	Back supports		2x
R	Table top		1x
S	Table legs		2x
T	Table Crossbar		1x
U	Table top supports		2x
V	Bench seat		1x
W	Bench legs		2x
X	Bench Crossbar		1x
Y	Bench top supports		2x

ASSEMBLY INSTRUCTIONS

Solid Wood Corner Dining Set

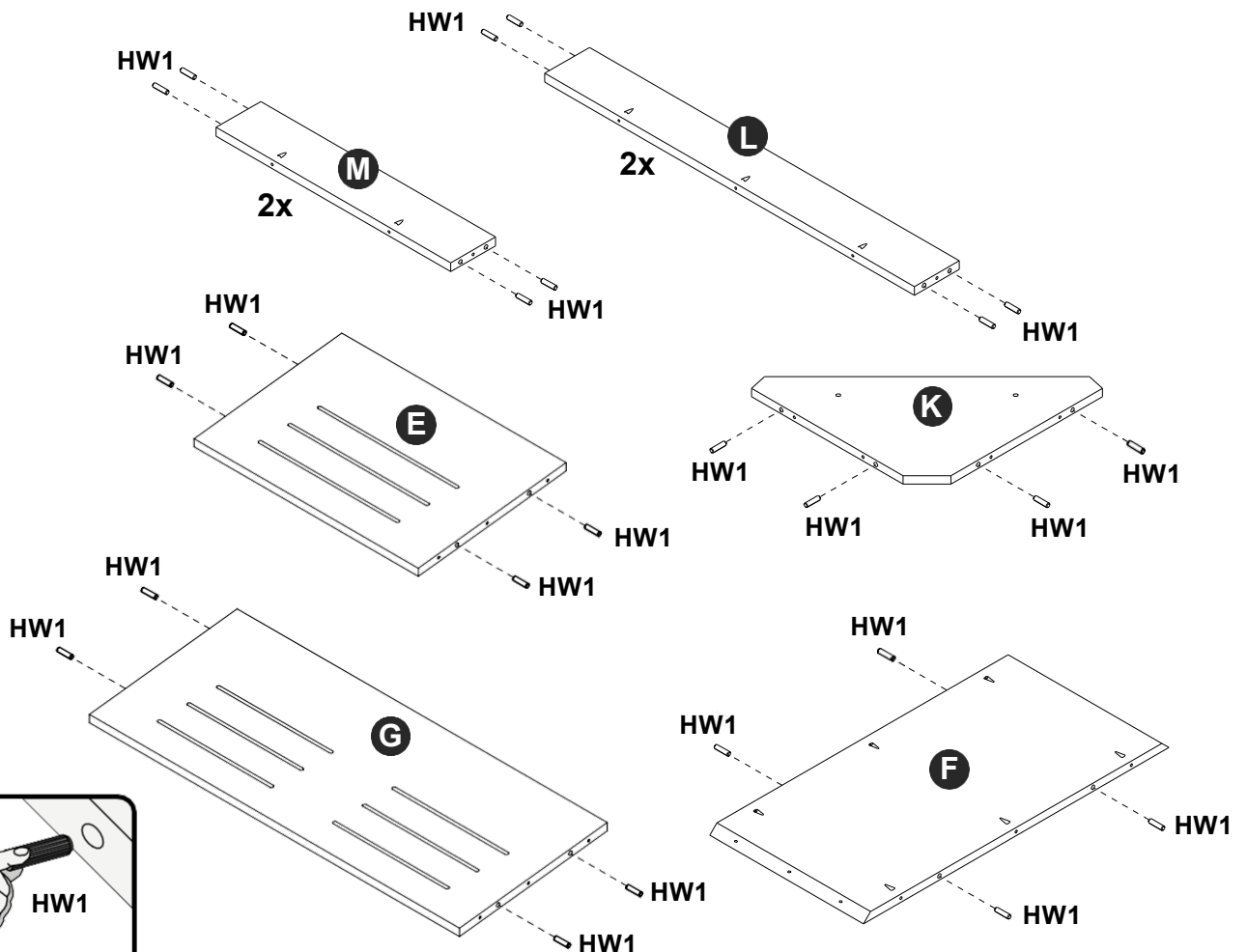
Avoid using sharp objects such as a knife to cut open packing as you may accidentally damage the item.



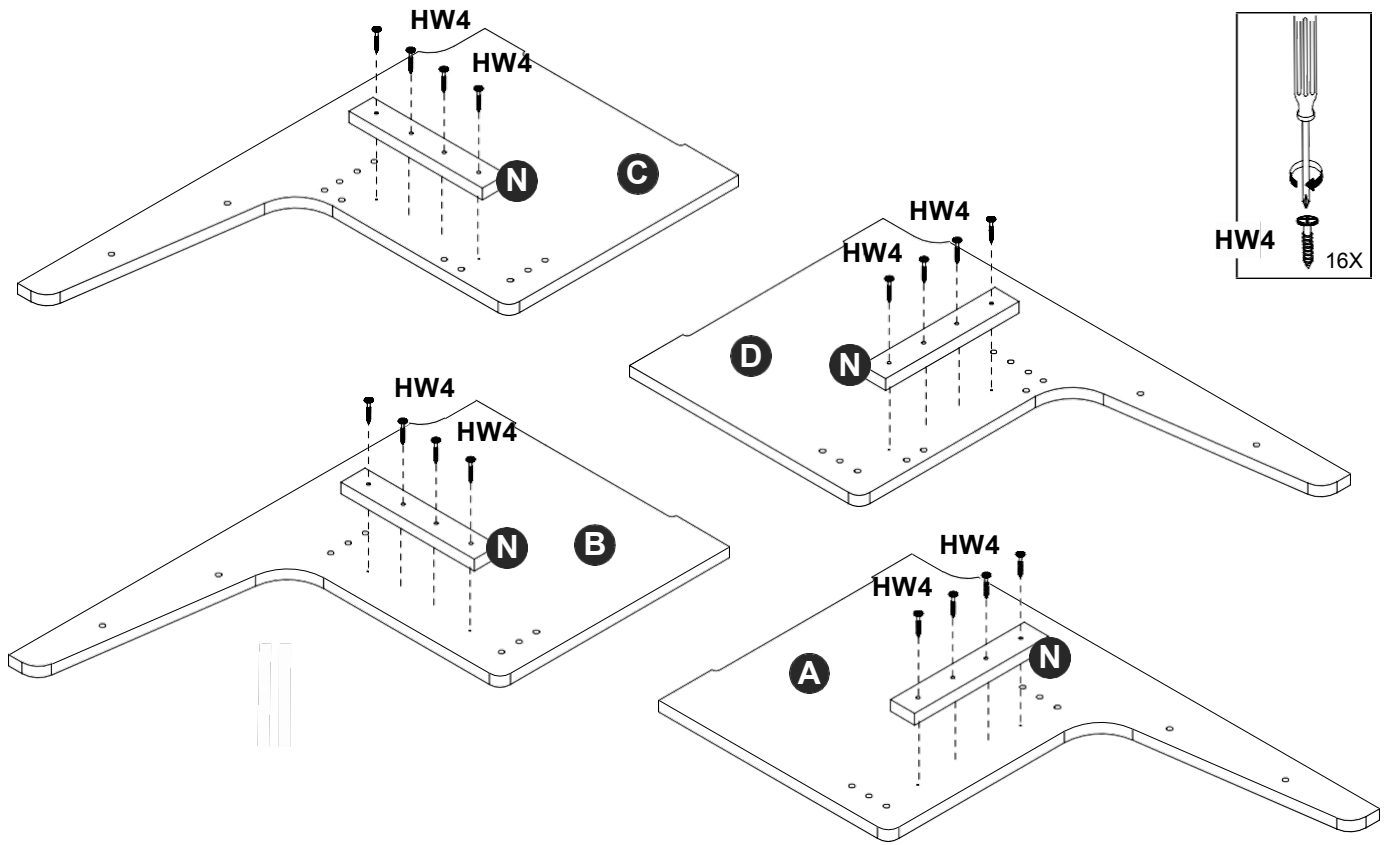
ASSEMBLY INSTRUCTIONS

Do not fully tighten bolts until assembly is complete.

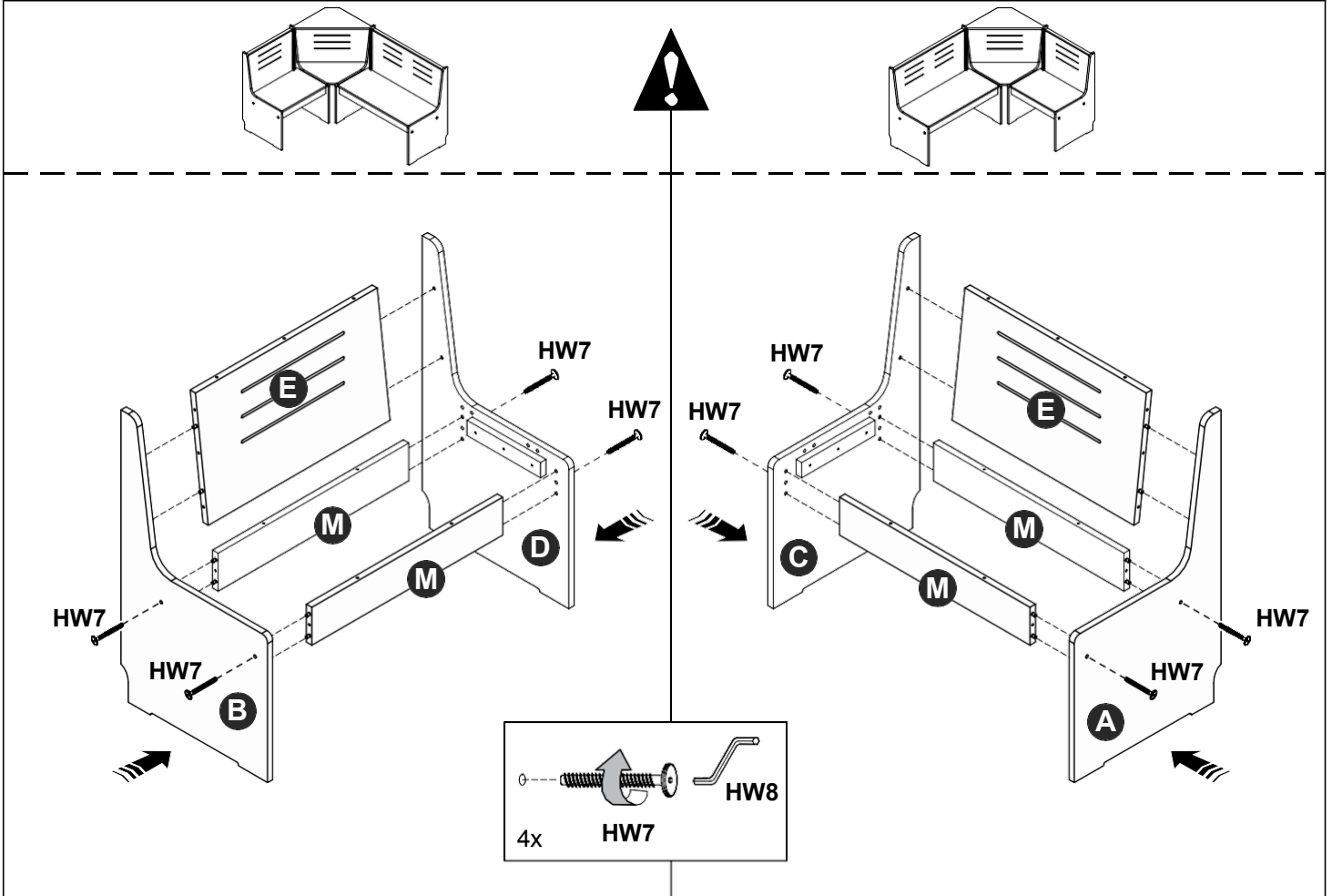
STEP 1: Insert dowels into the indicated parts.



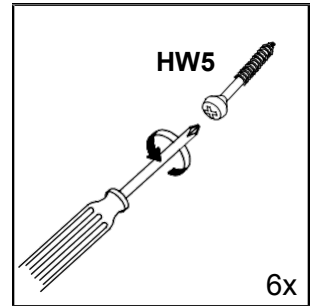
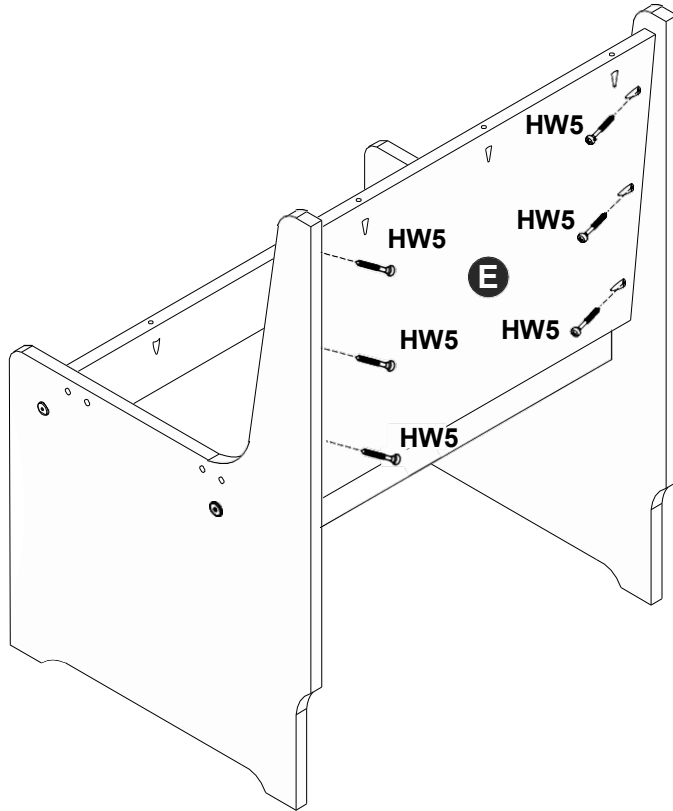
STEP 2: Attach cleats support by inserting screws in the pre-marked positions.



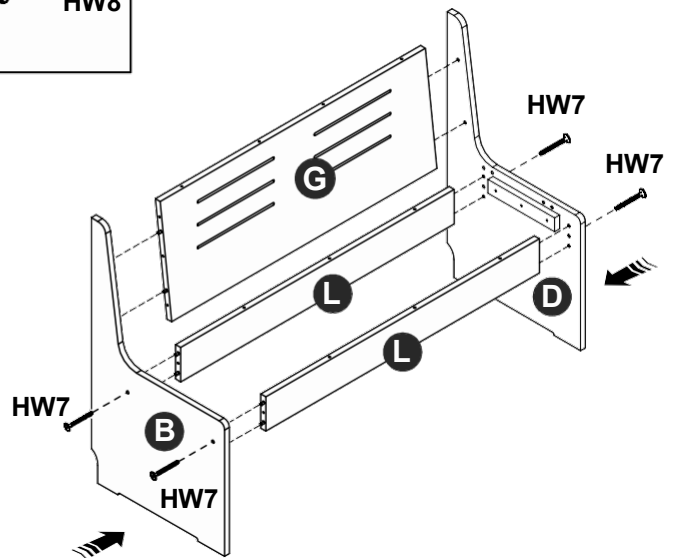
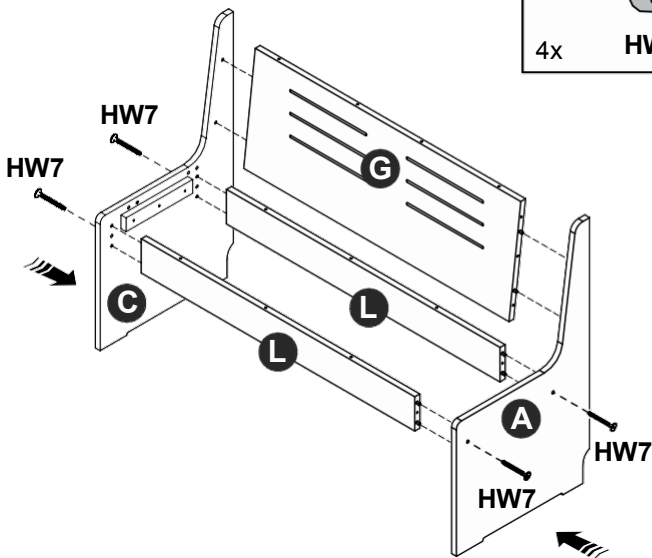
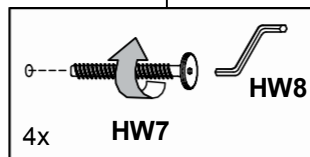
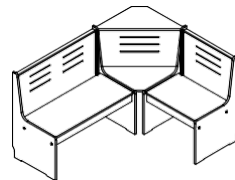
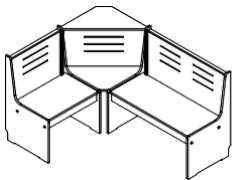
STEP 3: Attach sides and to the back panel and cross rails using screws.



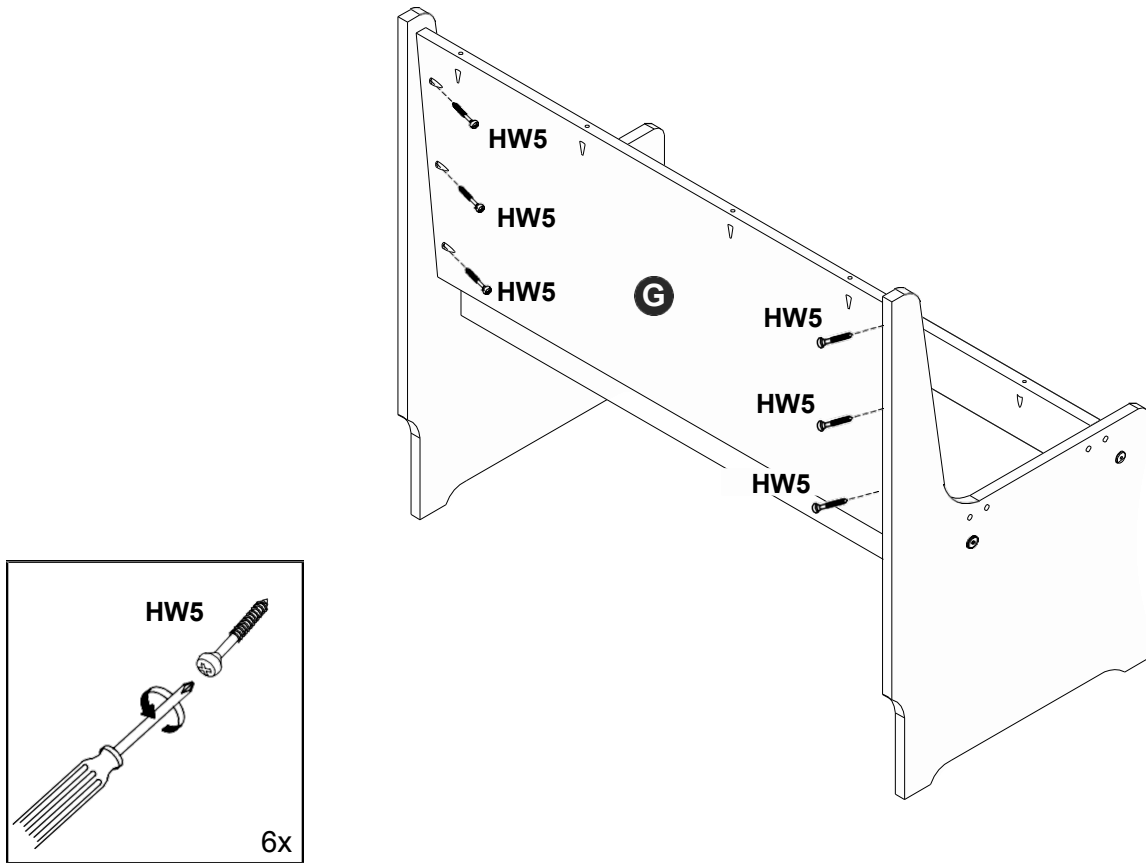
STEP 4: Attach the backrest.



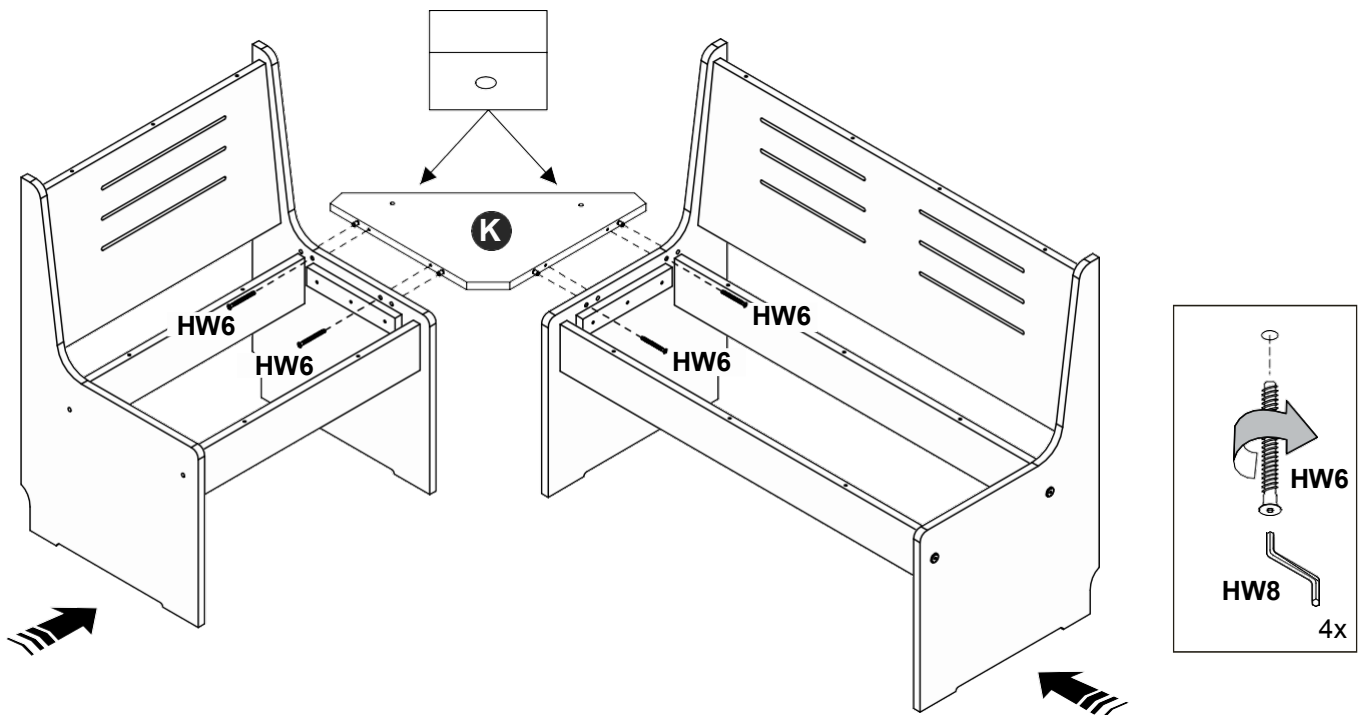
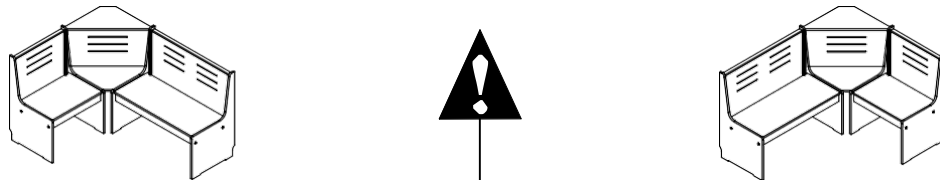
STEP 5: Attach sides and to the back panel and cross rails using screws.



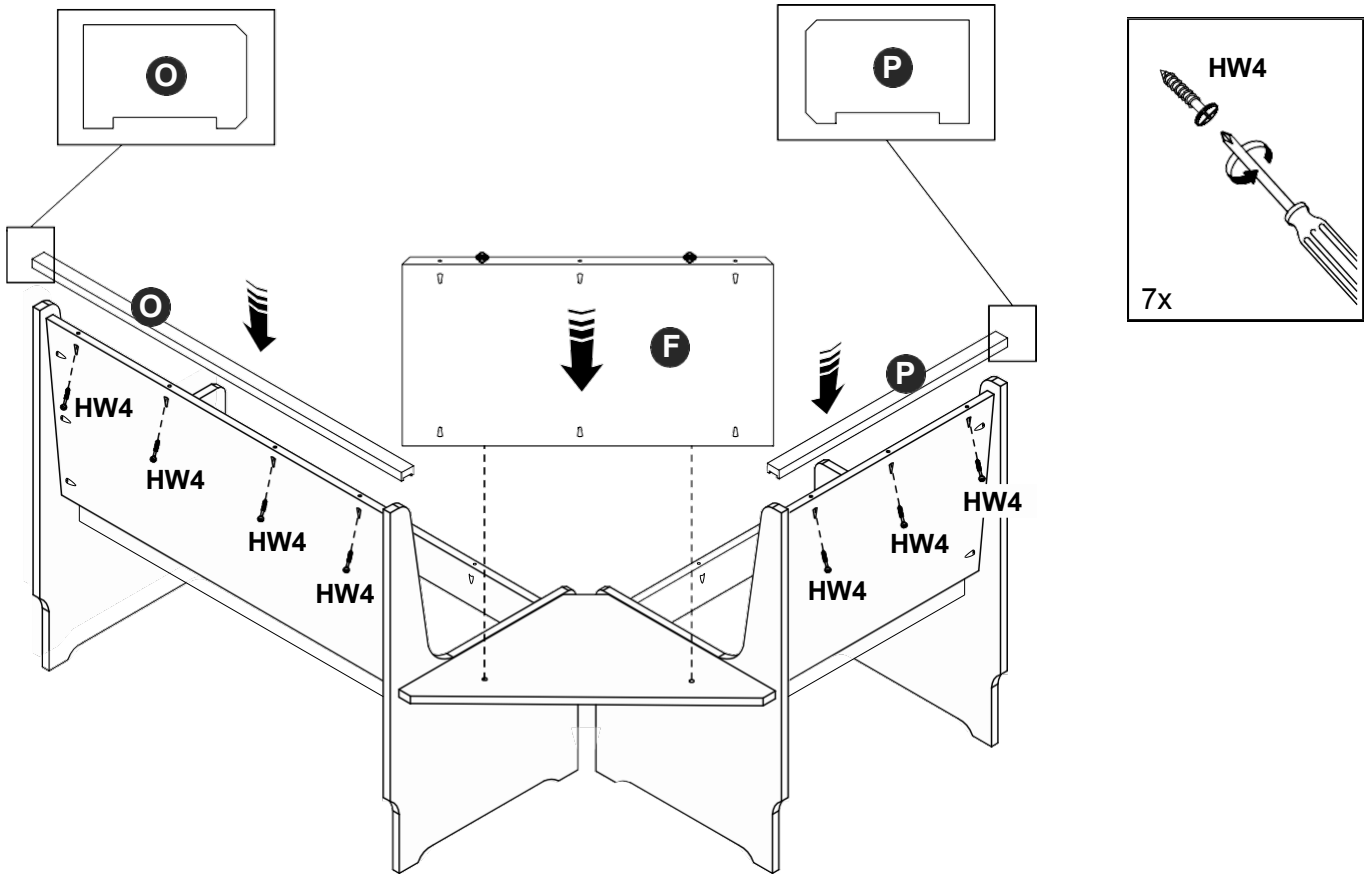
STEP 6: Attach the backrest.



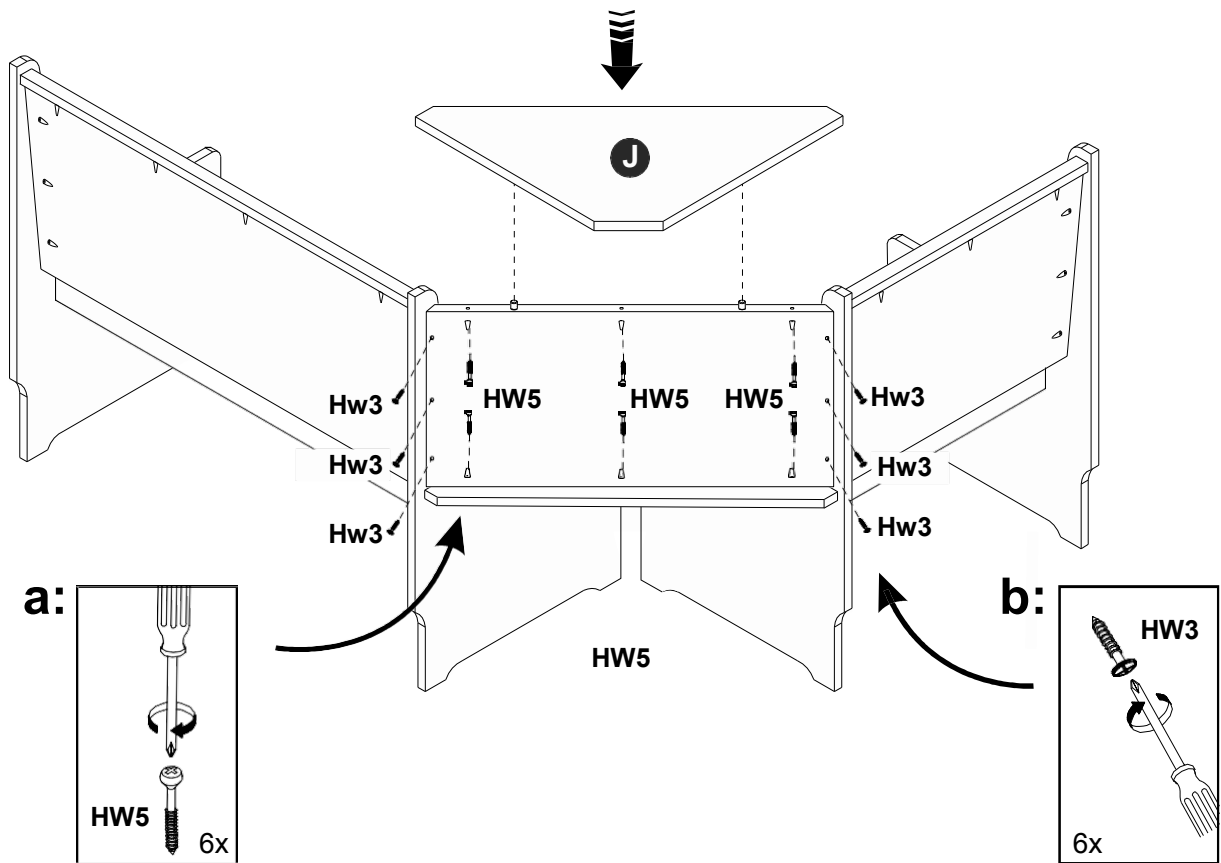
STEP 7: Attach the corner seat using screws.



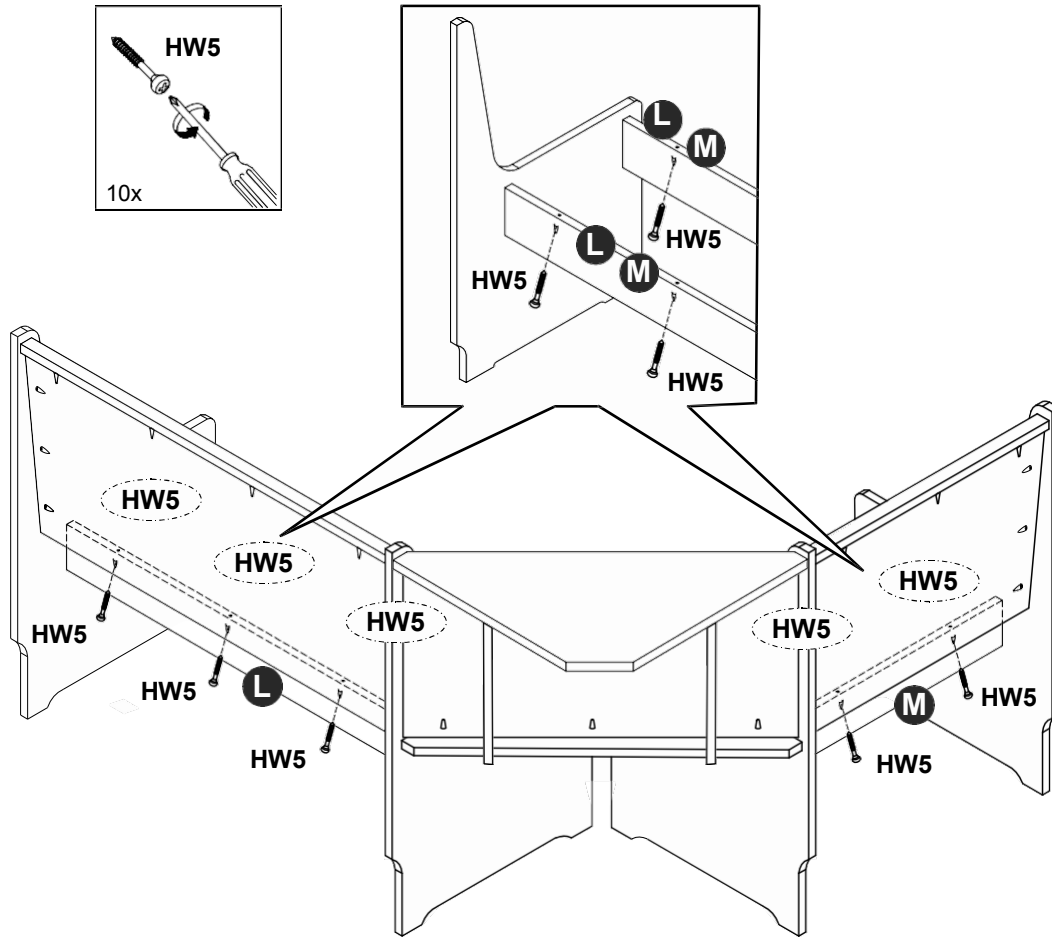
STEP 8: Attach the Top rails and put on corner back using screws.



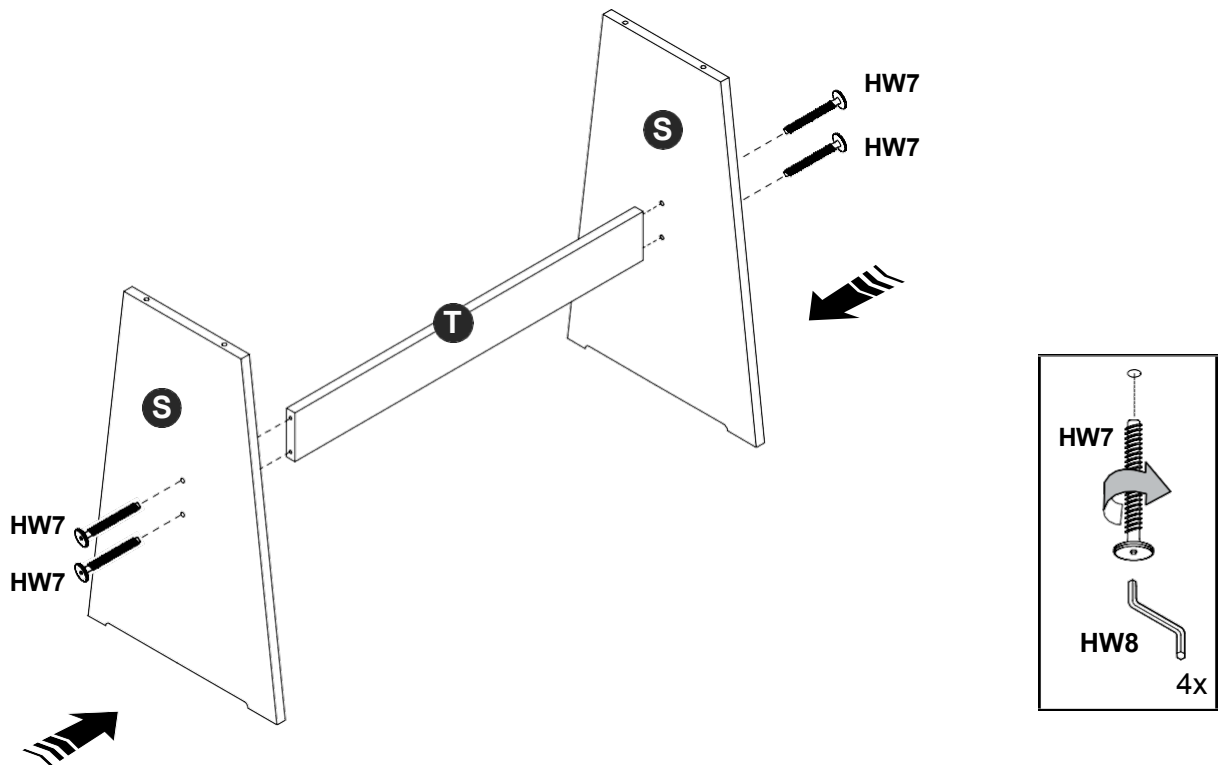
STEP 9: Attach the corner top and corner seat using the screws..



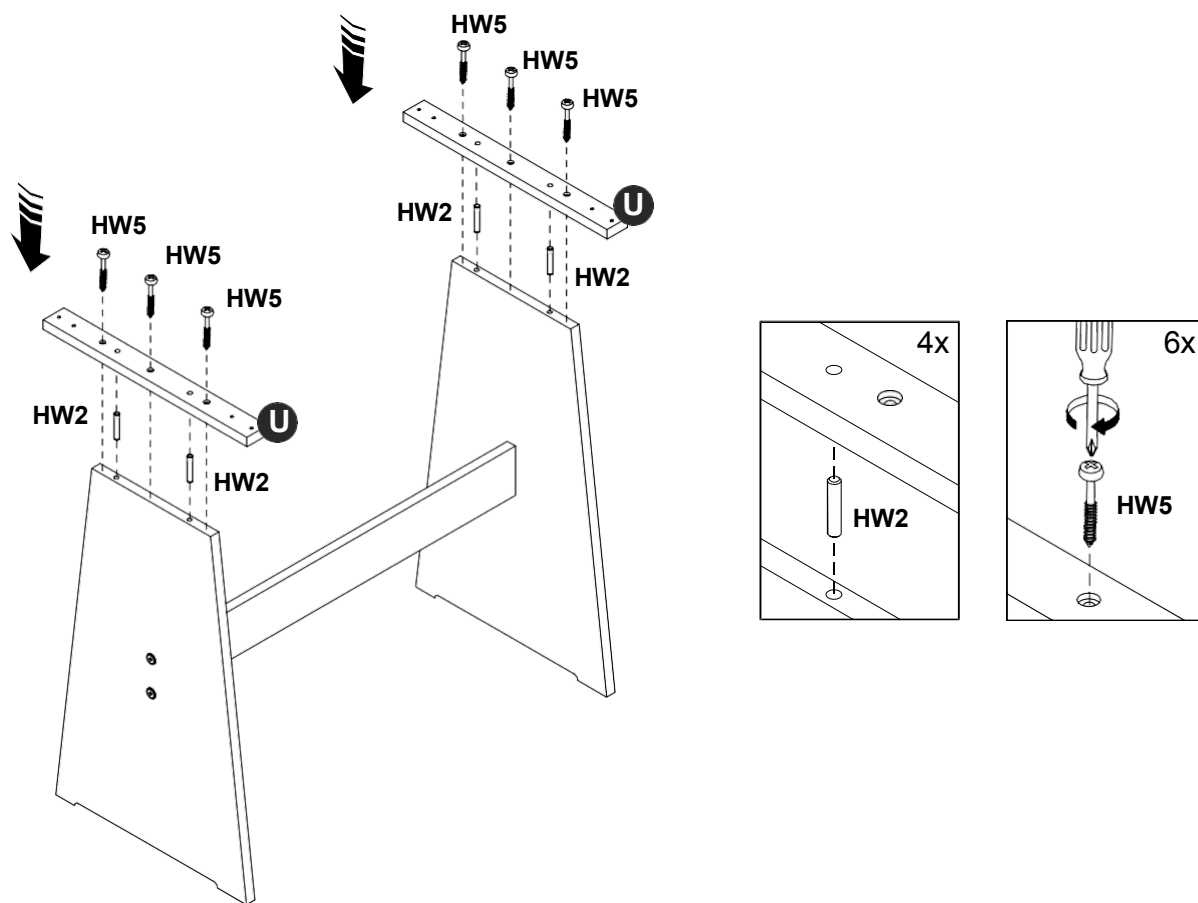
STEP 12: Attach the seats using screws.



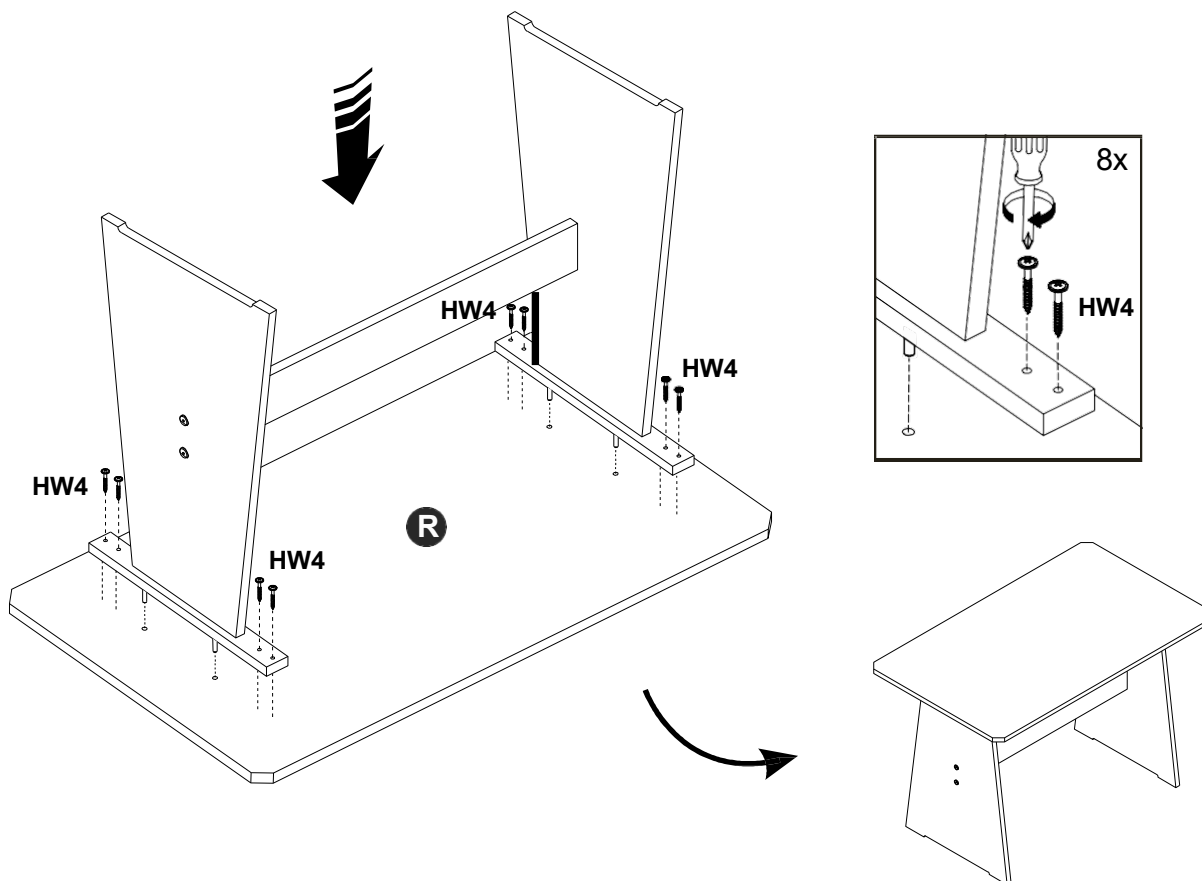
STEP 13: Attach the table legs to the table crossbar.



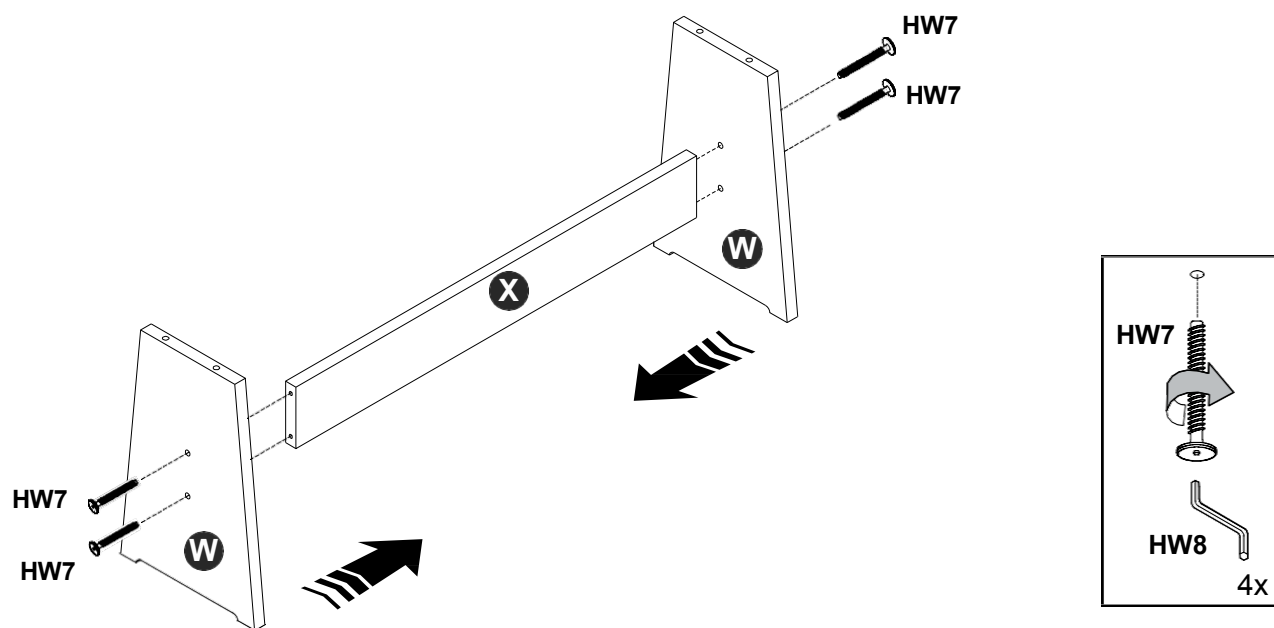
STEP 14: Attach the table top supports using screw.



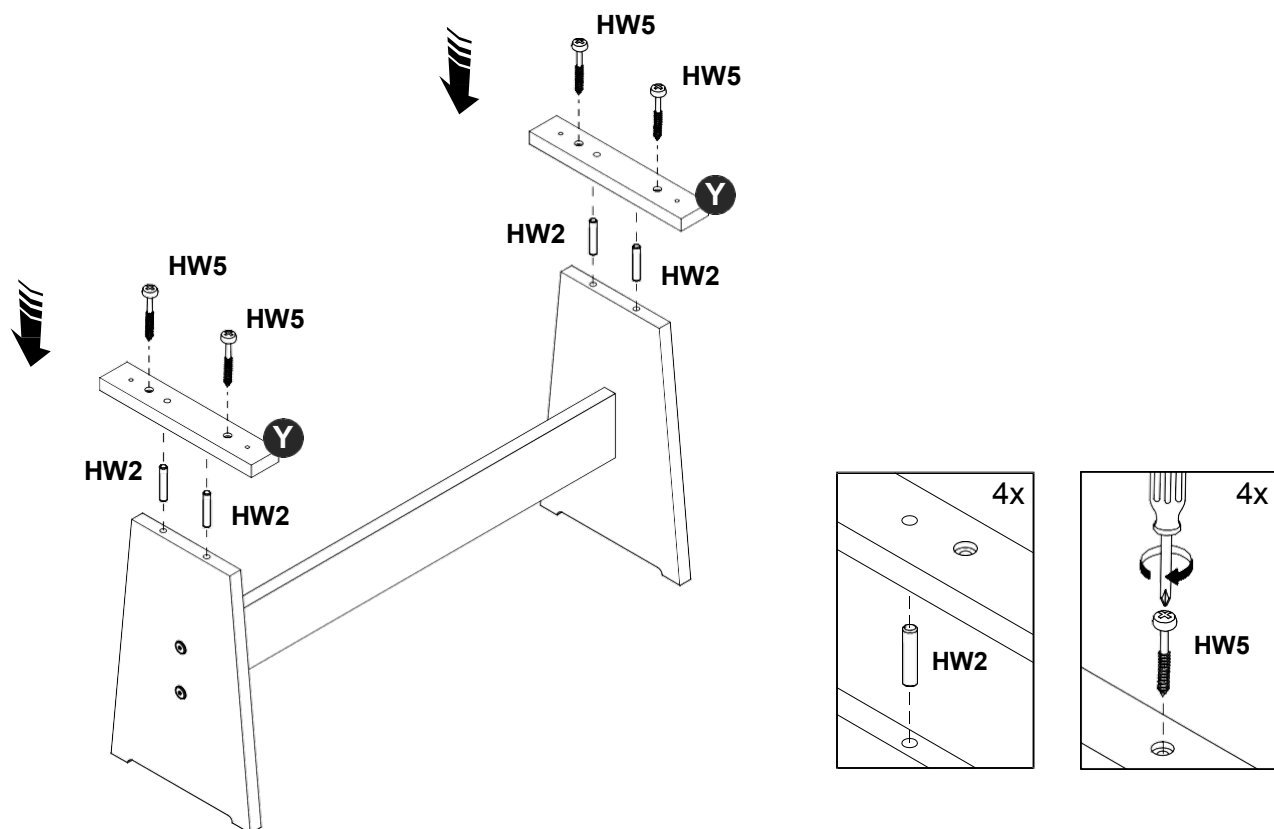
STEP 15: Attach the table top using screws.



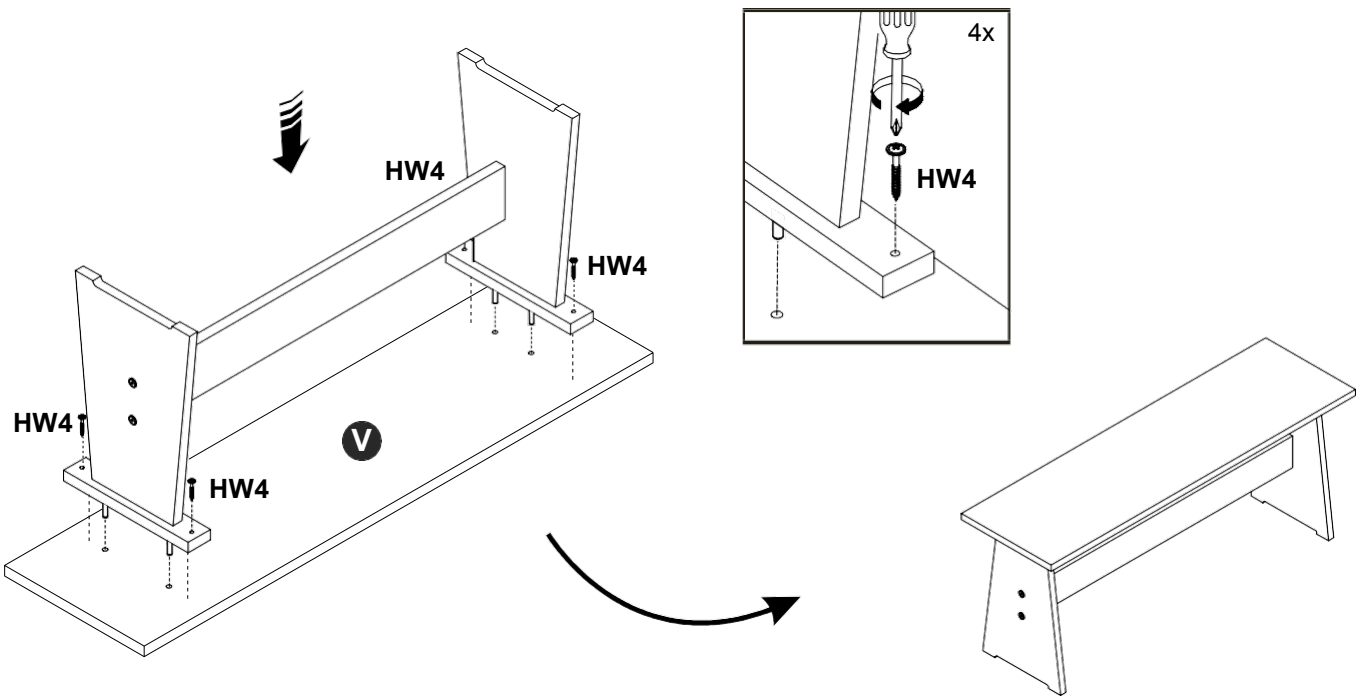
STEP 16: Attach the bench Sides to the bench crossbar using screws.



STEP 17: Attach the bench top supports using screws.



STEP 18: Attach the bench top to using screws.



CLEANING INSTRUCTIONS: Clean with Soft cloth, brush, or lightly vacuum.

ADULT ASSEMBLY REQUIRED

If you are missing any parts or have any questions regarding assembly, do not return this item to the retailers store. Please call our toll-free, customer service number and have this assembly manual open to the parts list ready to provide the model name, number and part name or number.

