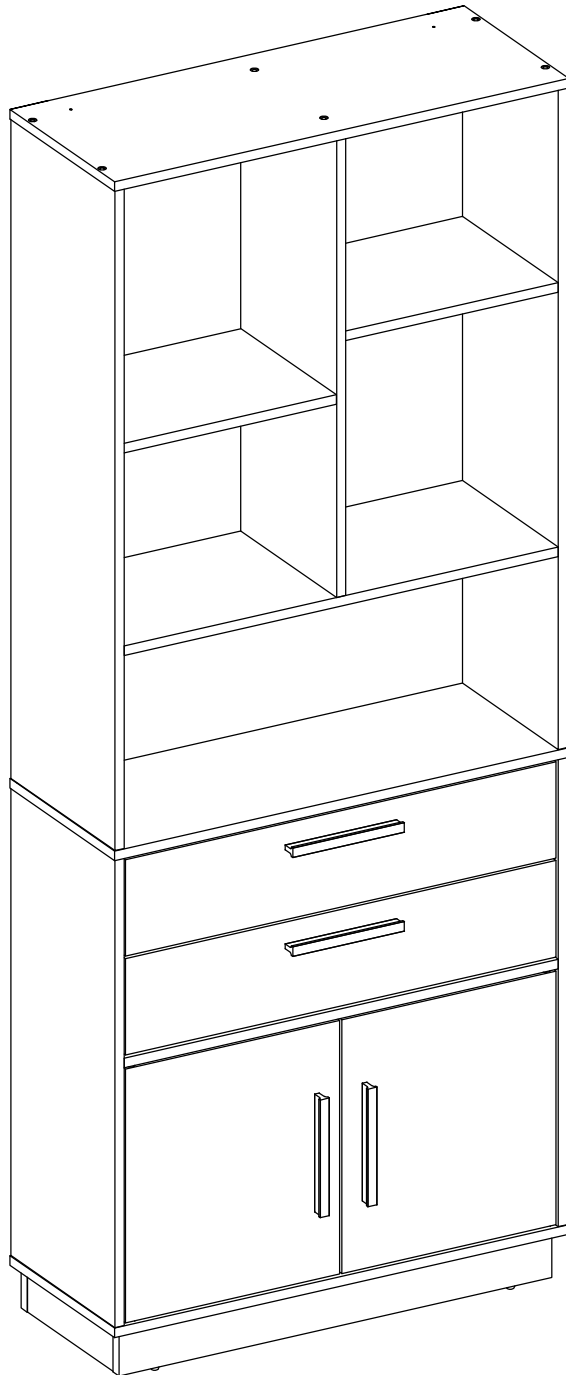
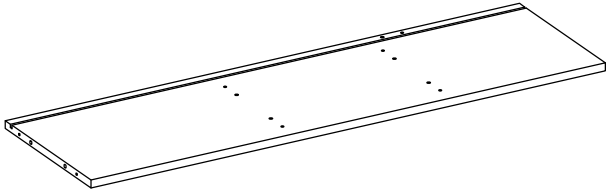
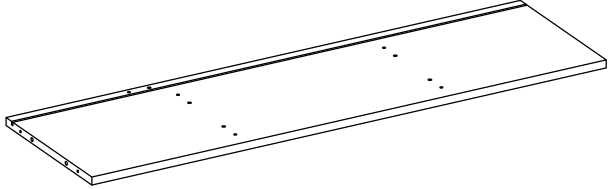
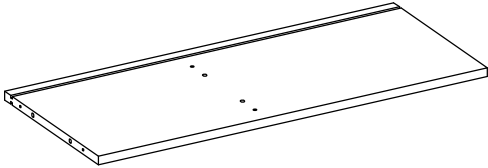
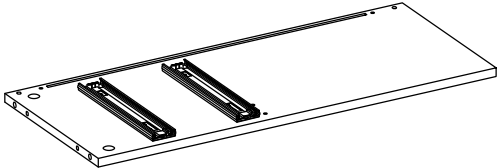
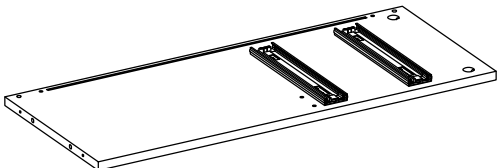
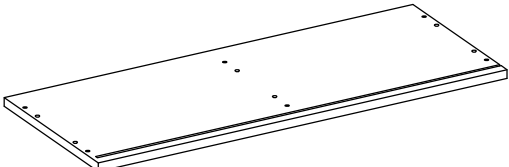
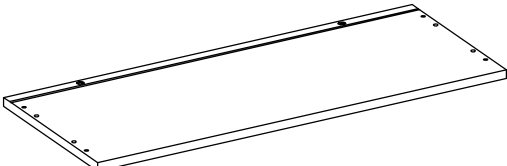
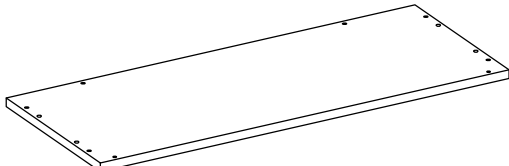


ASSEMBLY INSTRUCTIONS

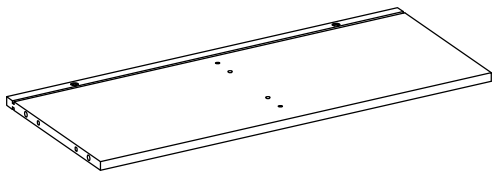
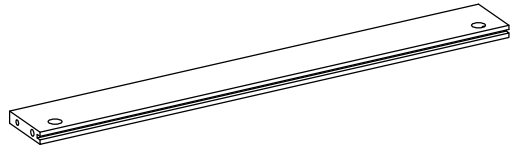
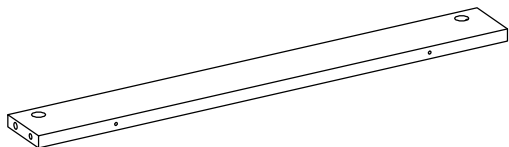
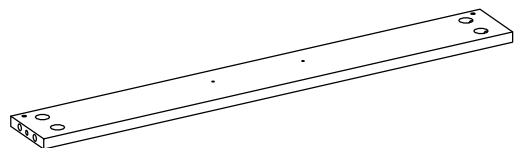
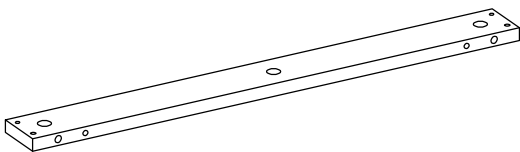
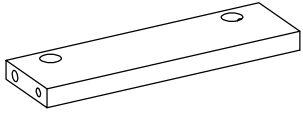
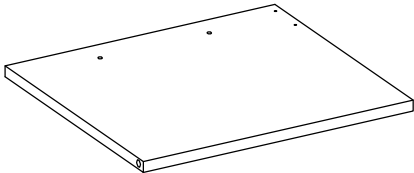
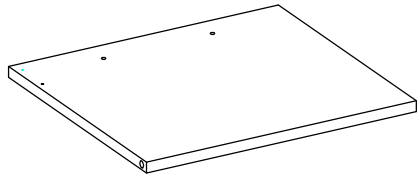


ModernMate

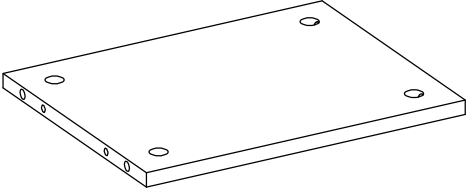
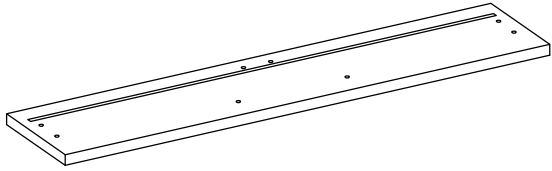
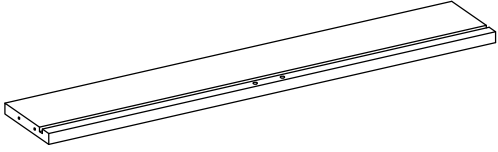
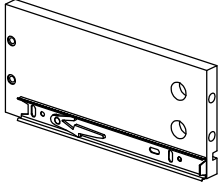
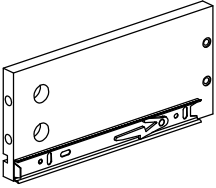
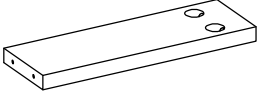
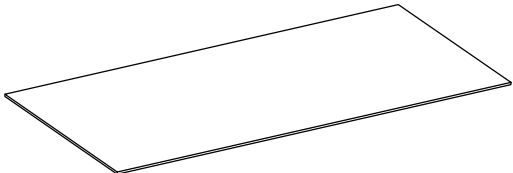
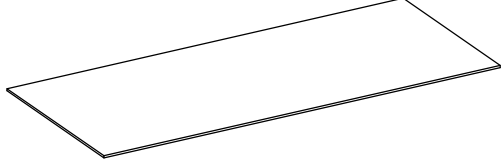


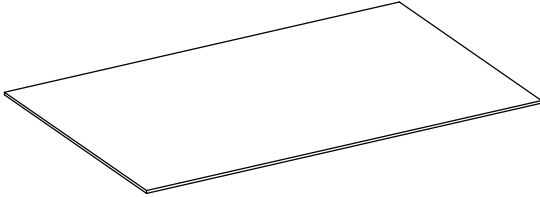
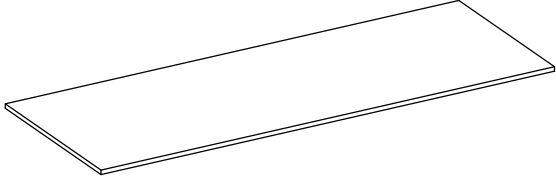



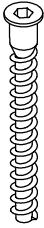
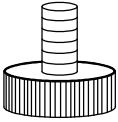
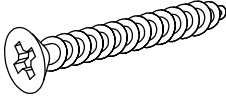
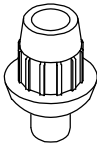
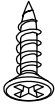
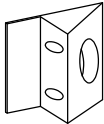
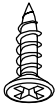

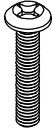
<p>1 x1</p> 	<p>2 x1</p> 
<p>3 x1</p> 	<p>4 x1</p> 
<p>5 x1</p> 	<p>6 x1</p> 
<p>7 x1</p> 	<p>8 x1</p> 



<p>9 x1</p> 	<p>10 x2</p> 
<p>11 x1</p> 	<p>12 x1</p> 
<p>13 x2</p> 	<p>14 x2</p> 
<p>15 x1</p> 	<p>16 x1</p> 



<p>17</p>  <p>x2</p>	<p>18</p>  <p>x2</p>
<p>19</p>  <p>x2</p>	<p>20</p>  <p>x2</p>
<p>21</p>  <p>x2</p>	<p>22</p>  <p>x2</p>
<p>23</p>  <p>x2</p>	<p>24</p>  <p>x1</p>

<p>25 x2</p> 	<p>26 x2</p> 		
<p>A x48+2</p>  <p>Ø6×35mm</p>	<p>B x48+2</p>  <p>Ø15×9.8mm</p>	<p>C x48+2</p>  <p>Ø6×30mm</p>	<p>D x22+1</p>  <p>Ø9.5×M5×46mm</p>
<p>E x4</p> 	<p>F x12+1</p>  <p>ST4×35mm</p>	<p>G x4+1</p>  <p>Ø12×25mm</p>	<p>H x4</p>  <p>ST3.5×12</p>
<p>I x27+2</p>  <p>14×14×11mm</p>	<p>J x27+2</p>  <p>ST3×16</p>	<p>K x1</p>  <p>572×12×6mm</p>	<p>L x8</p> 



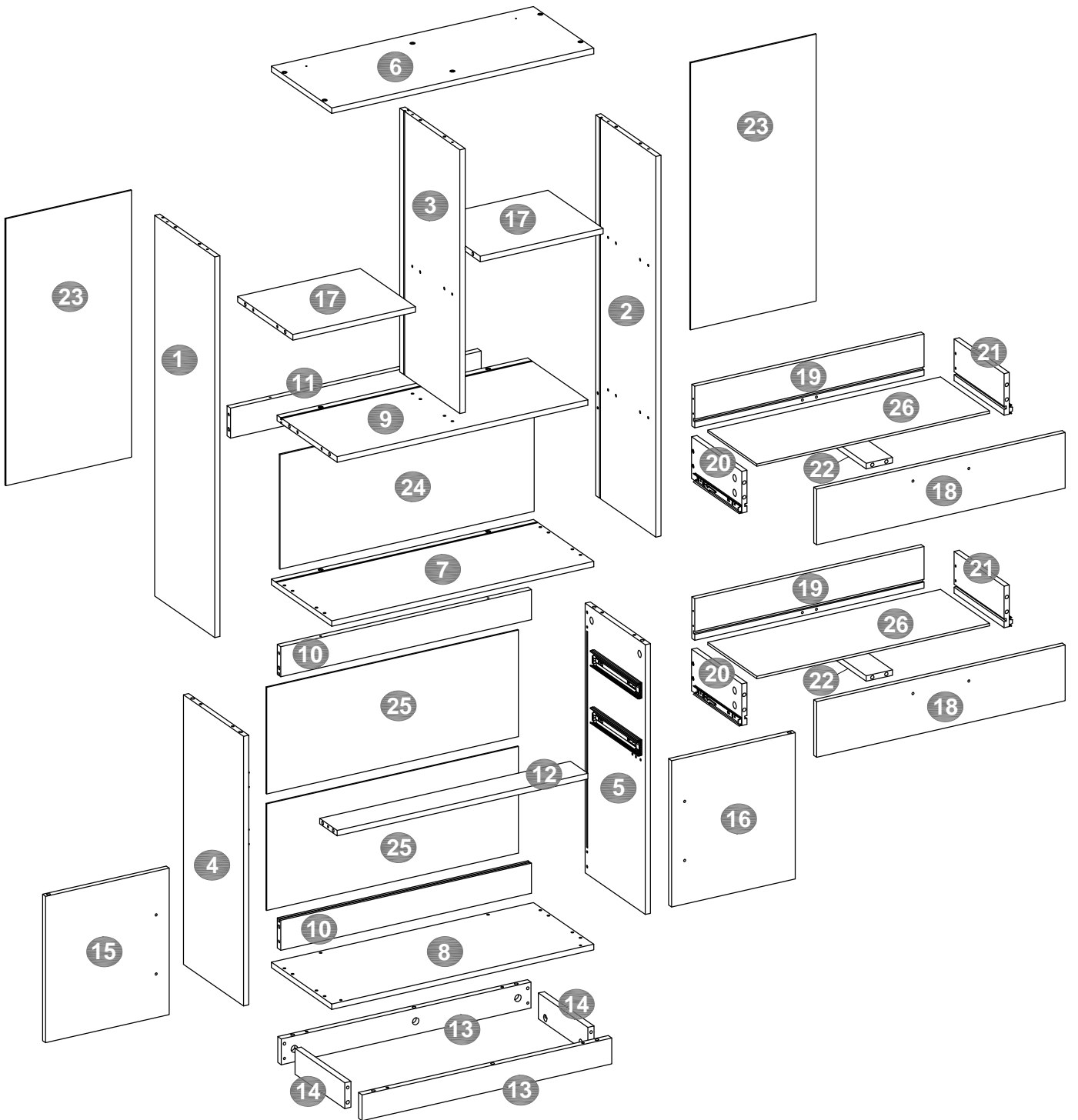
M x4 **N** x2 **O** x2 **P** x1

147x17x11-128

Q x2 **R** x1 **Z2** x1

ST3.5x14





1

Turn over 180°

Use the materials provided in the packaging to support the product from below for easier installation.

A × 4

2

C × 4

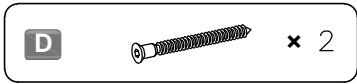
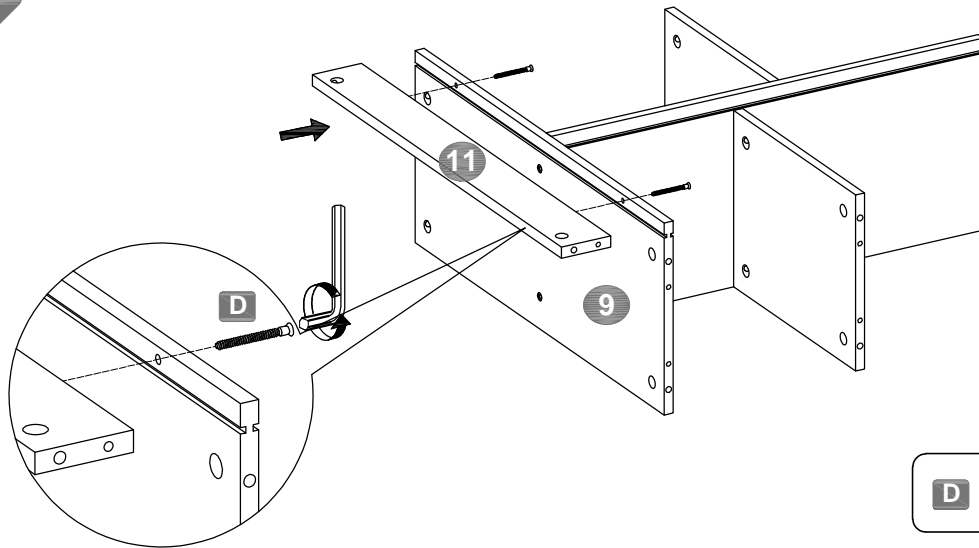
B × 4

3

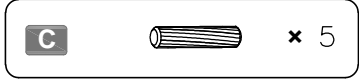
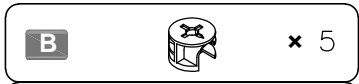
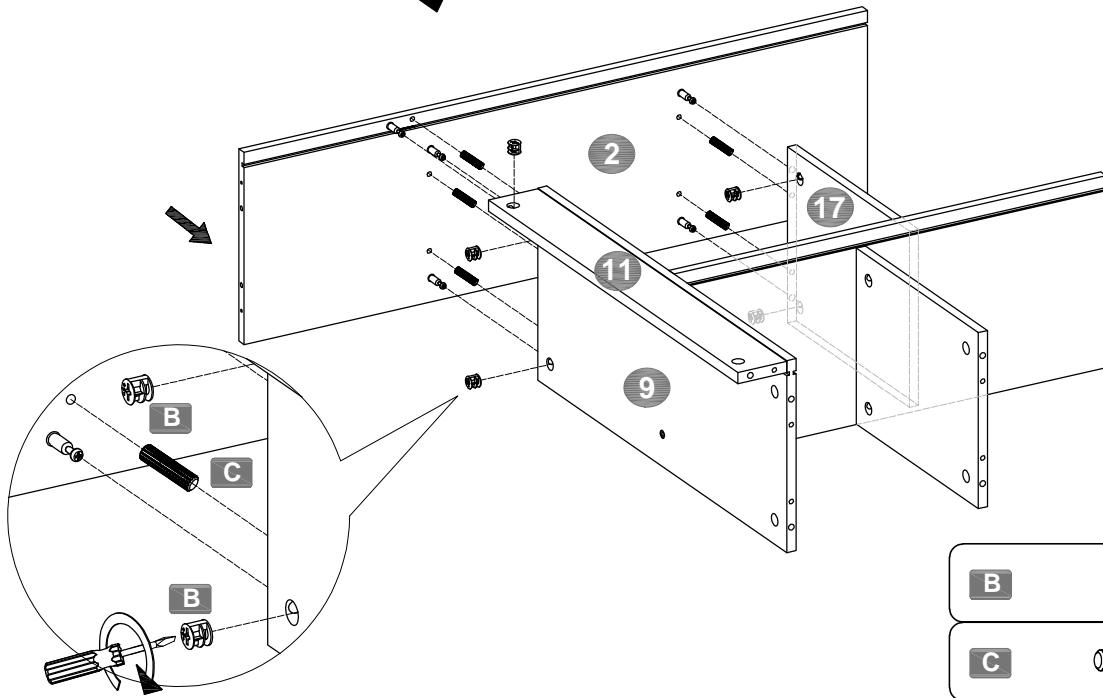
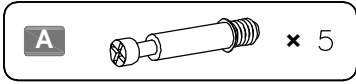
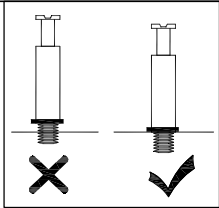
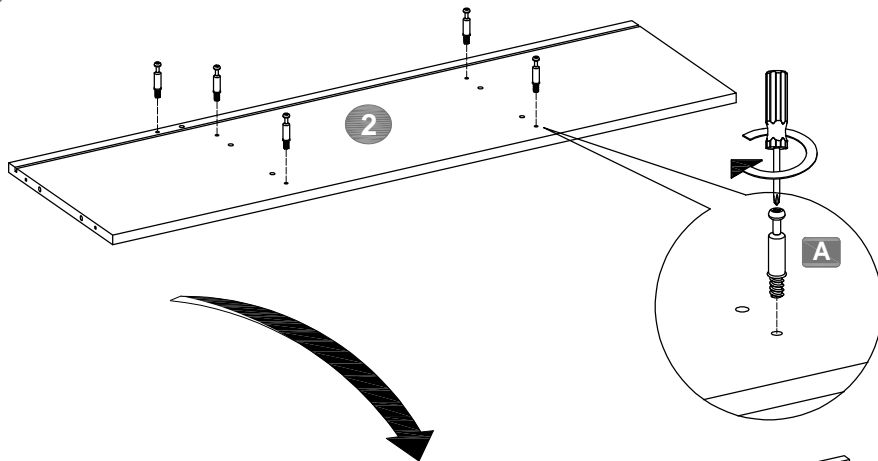
C × 2

D × 2

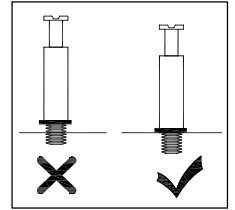
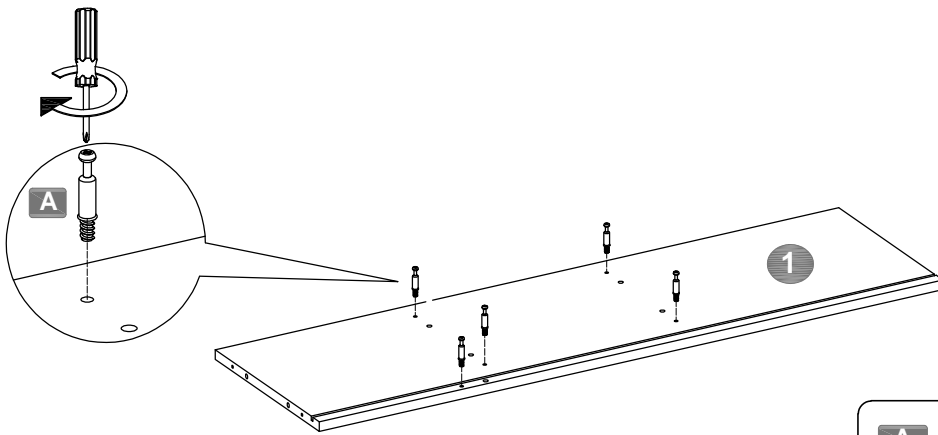
4

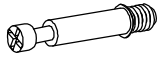


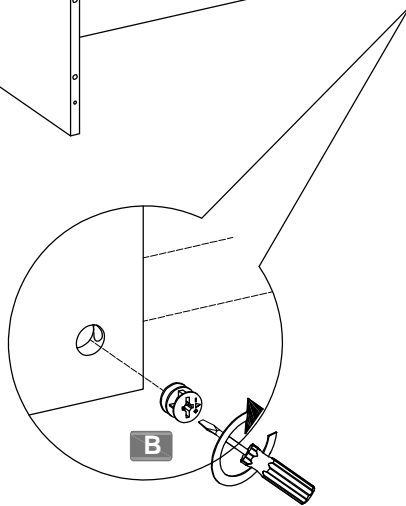
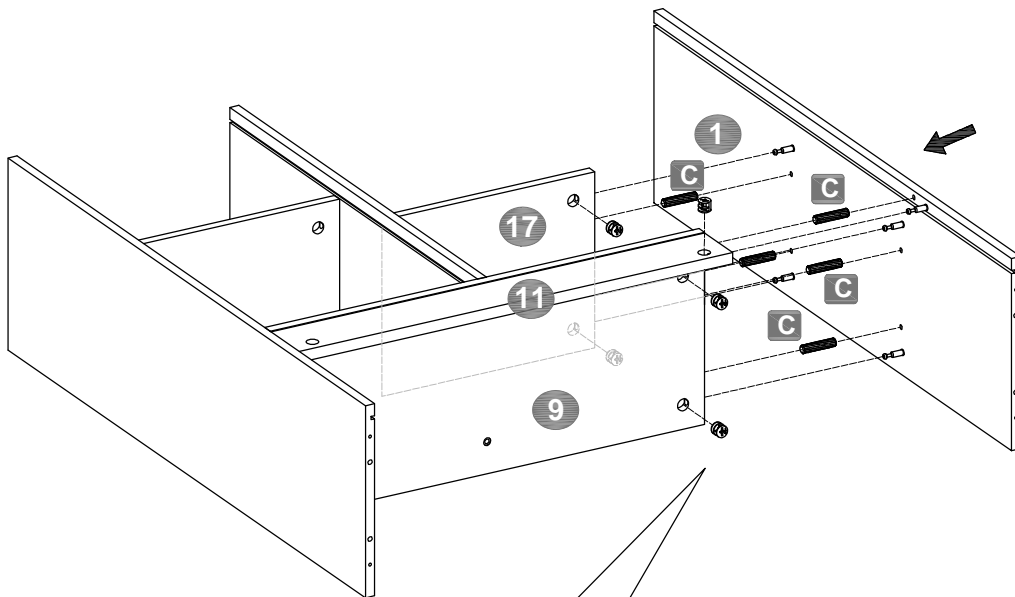
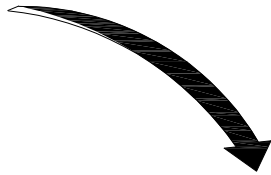
5





6



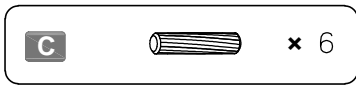
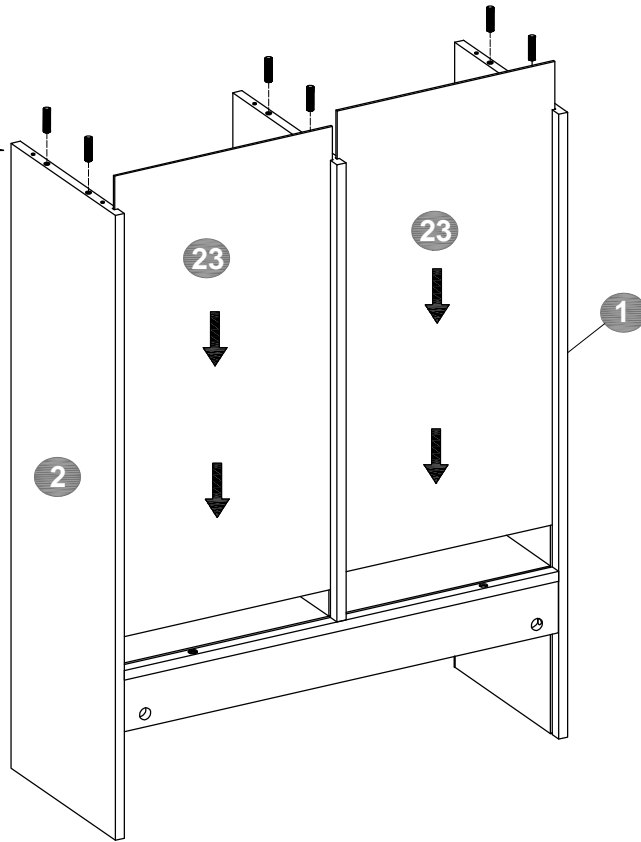
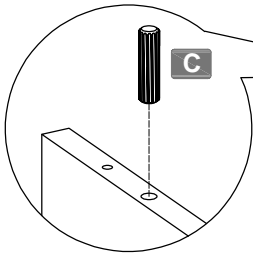
A  × 5



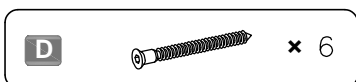
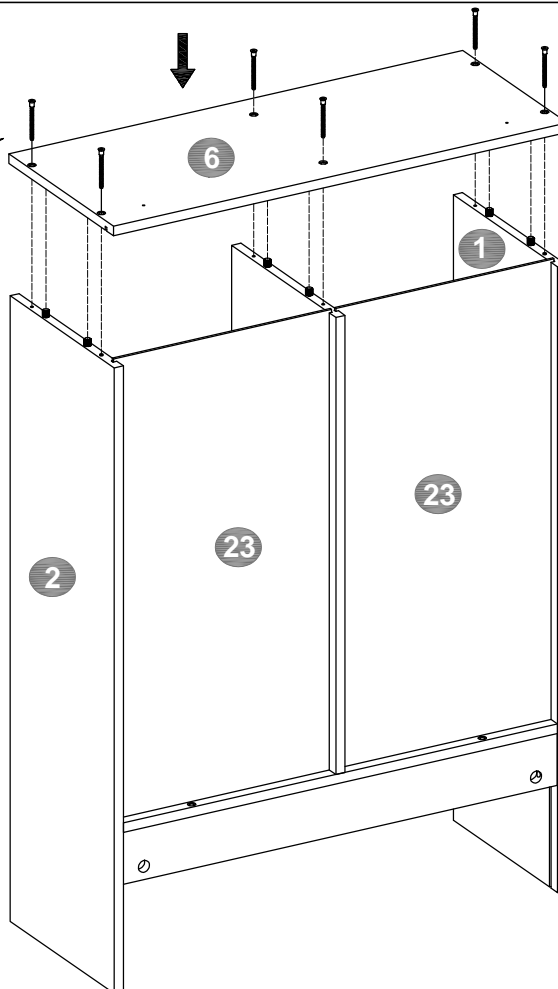
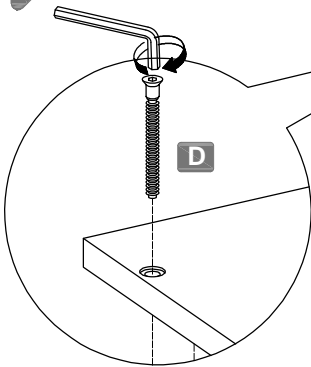
B  × 5

C  × 5

7

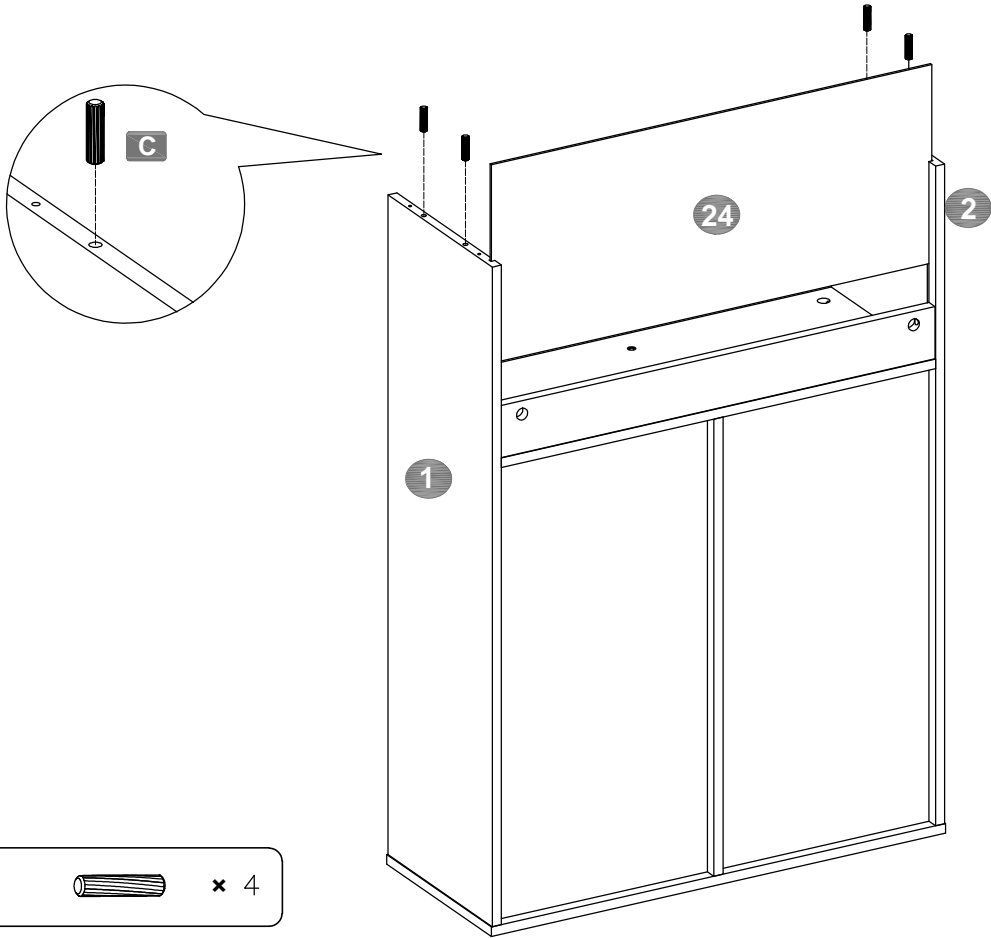



8



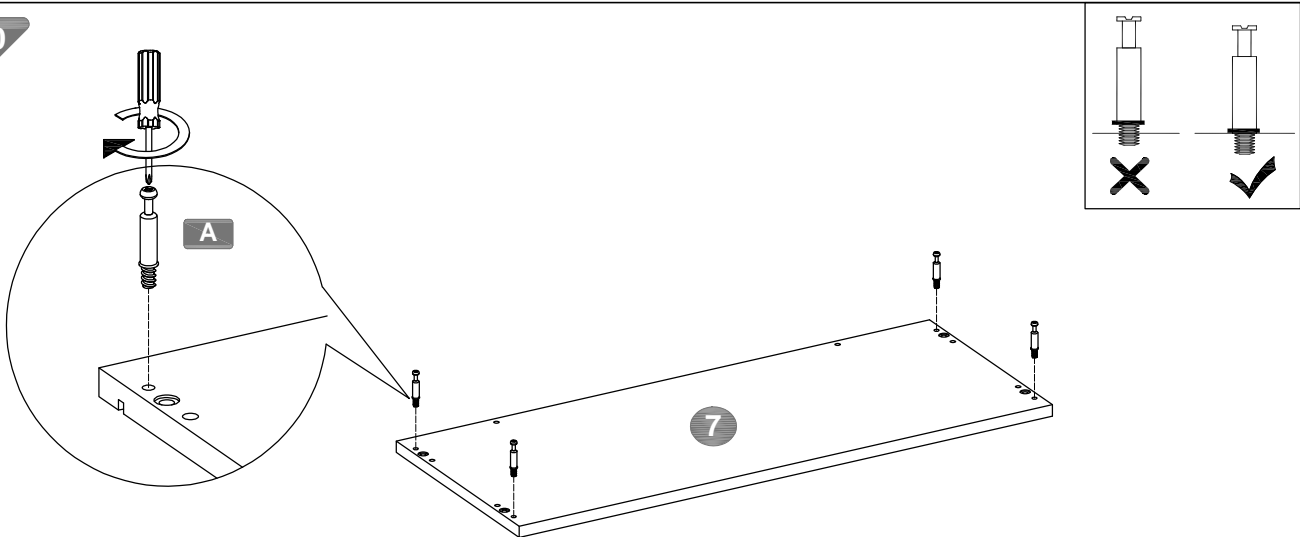
After finished: Turn over 180° to next step


9



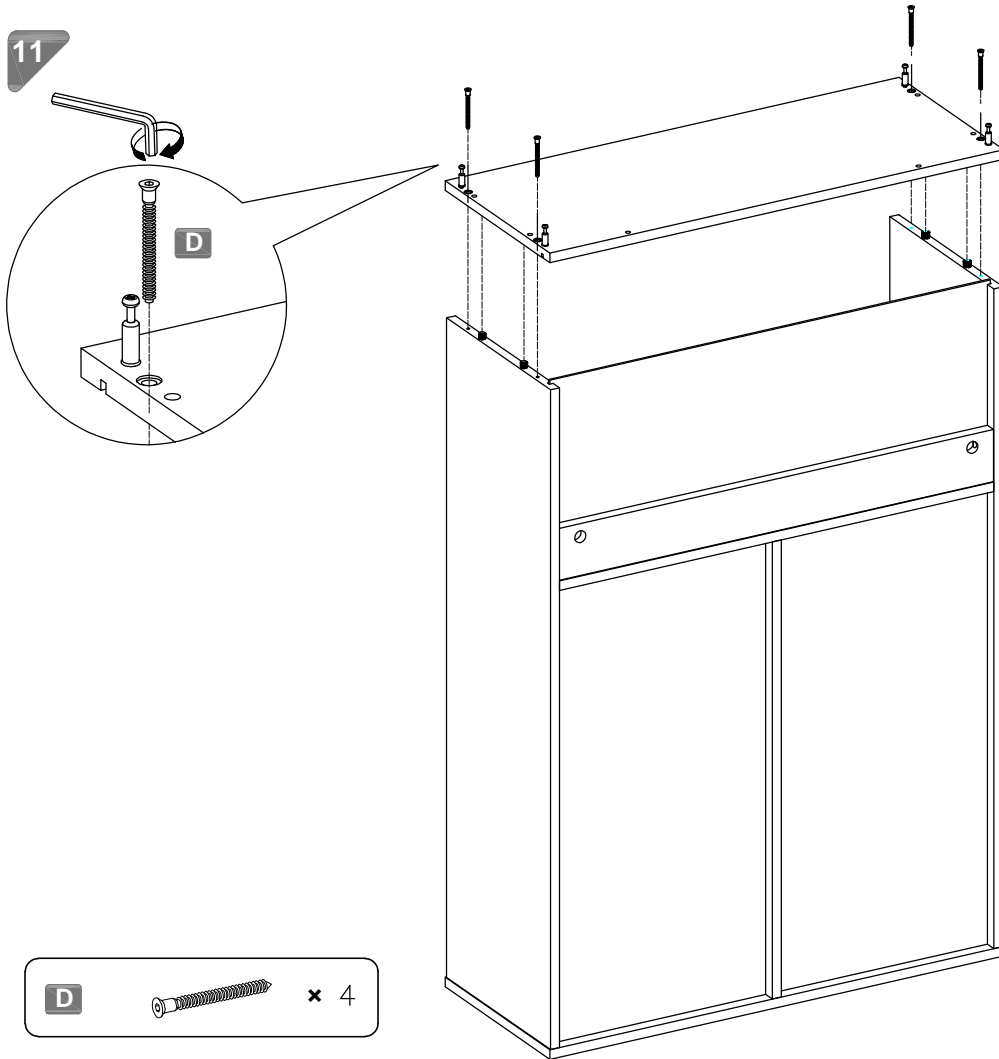
C  x 4

10

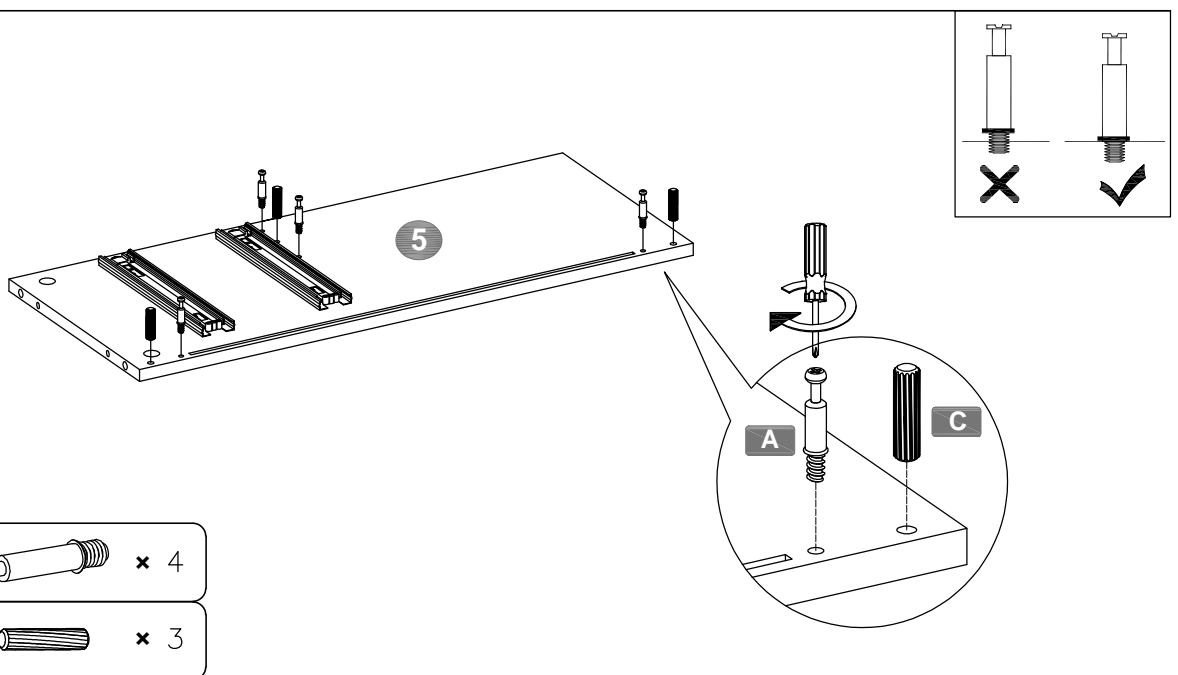


A  x 4

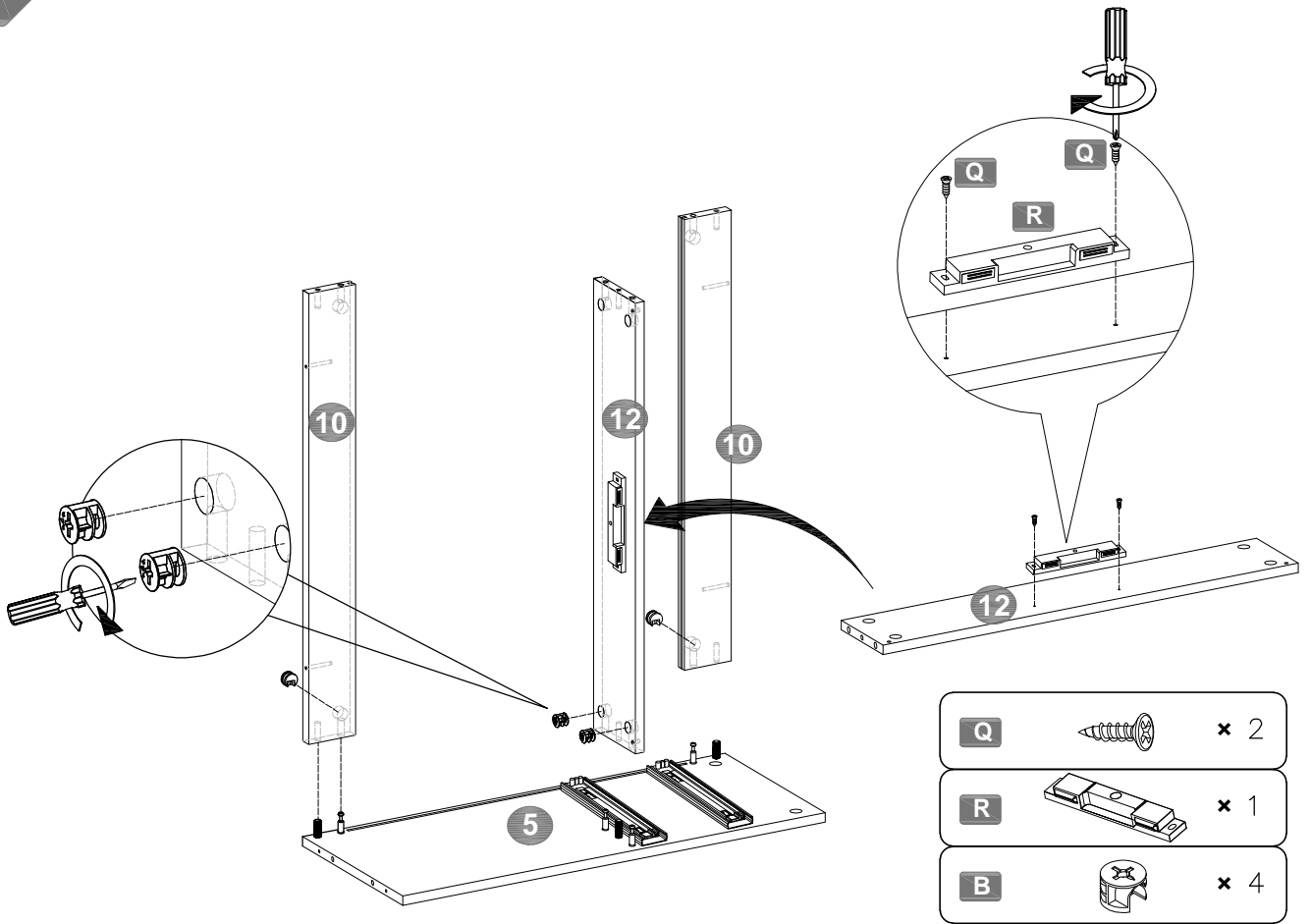
11



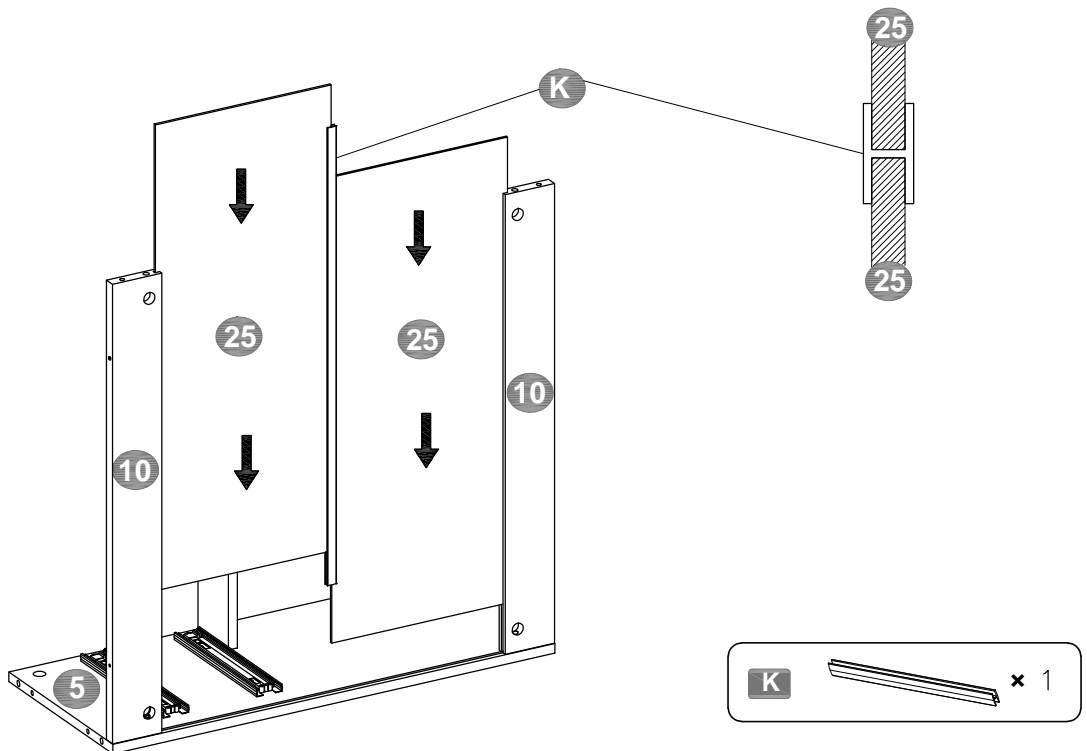
12



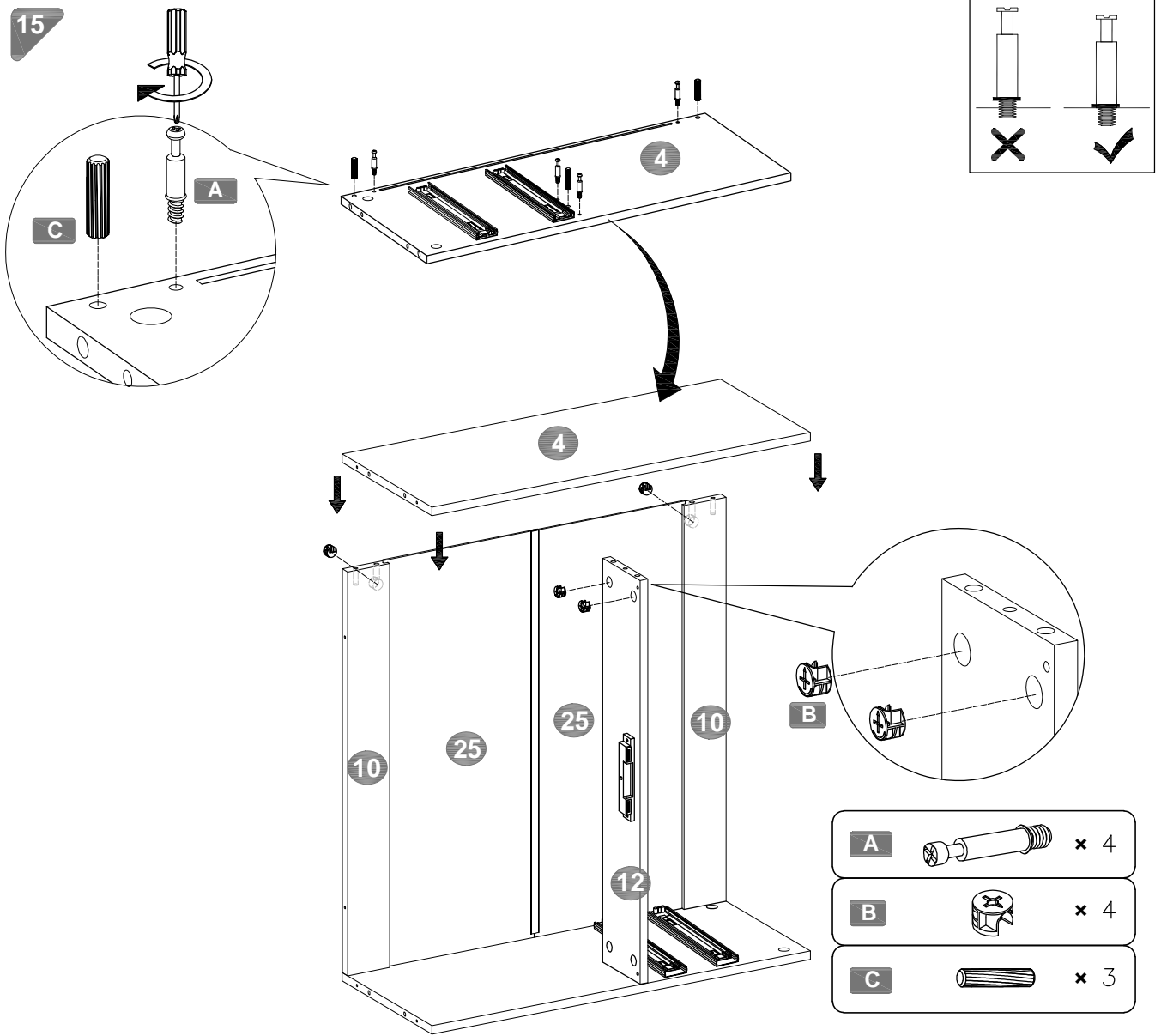
13



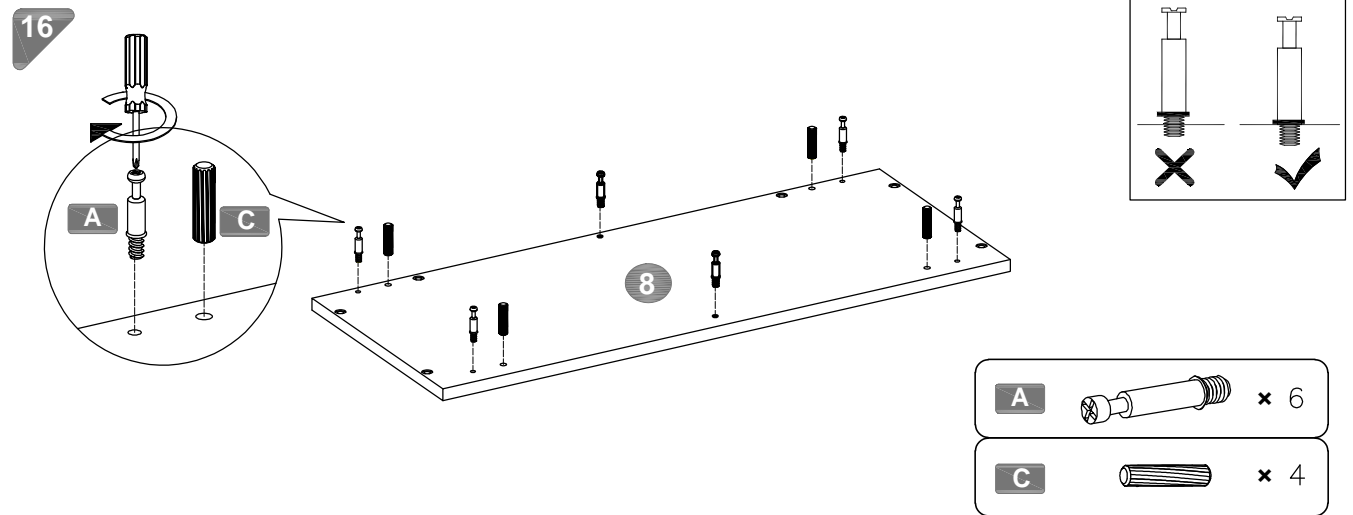
14



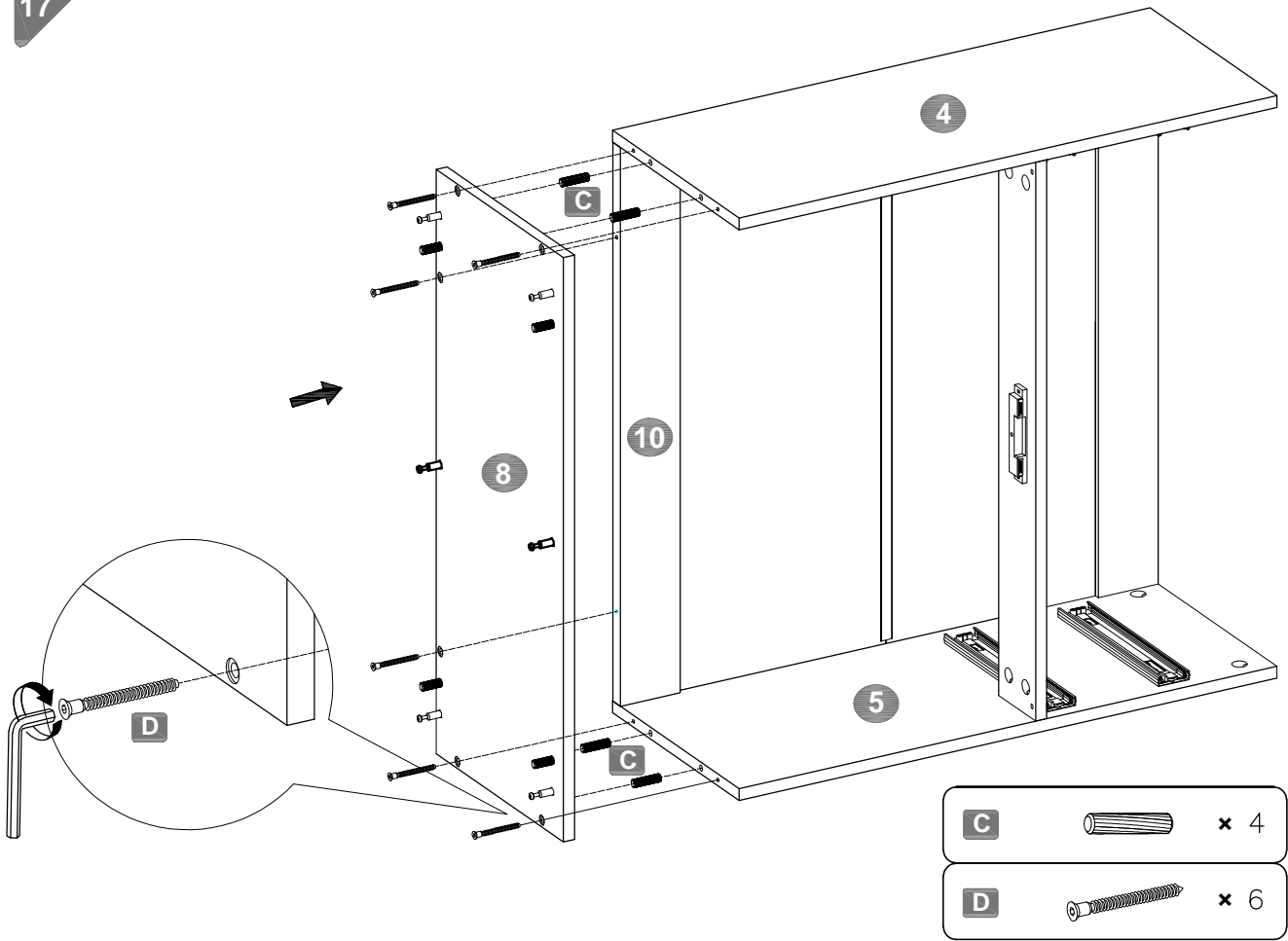
15



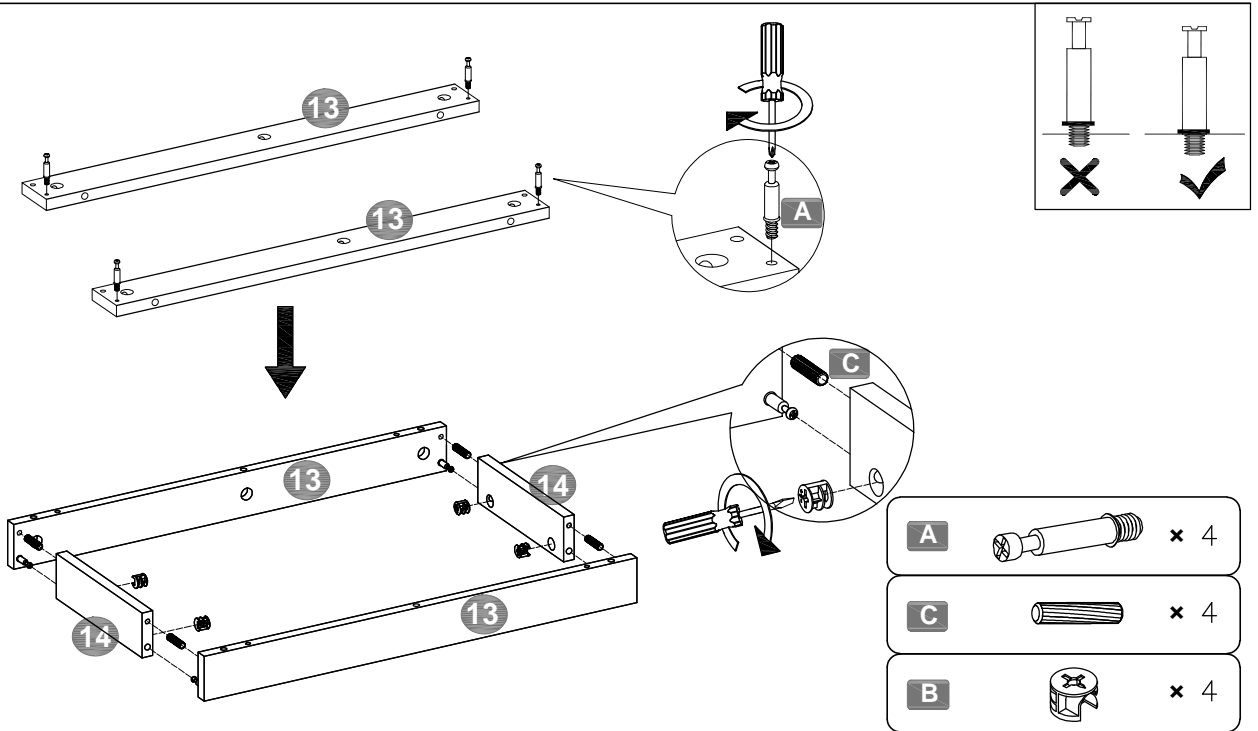
16



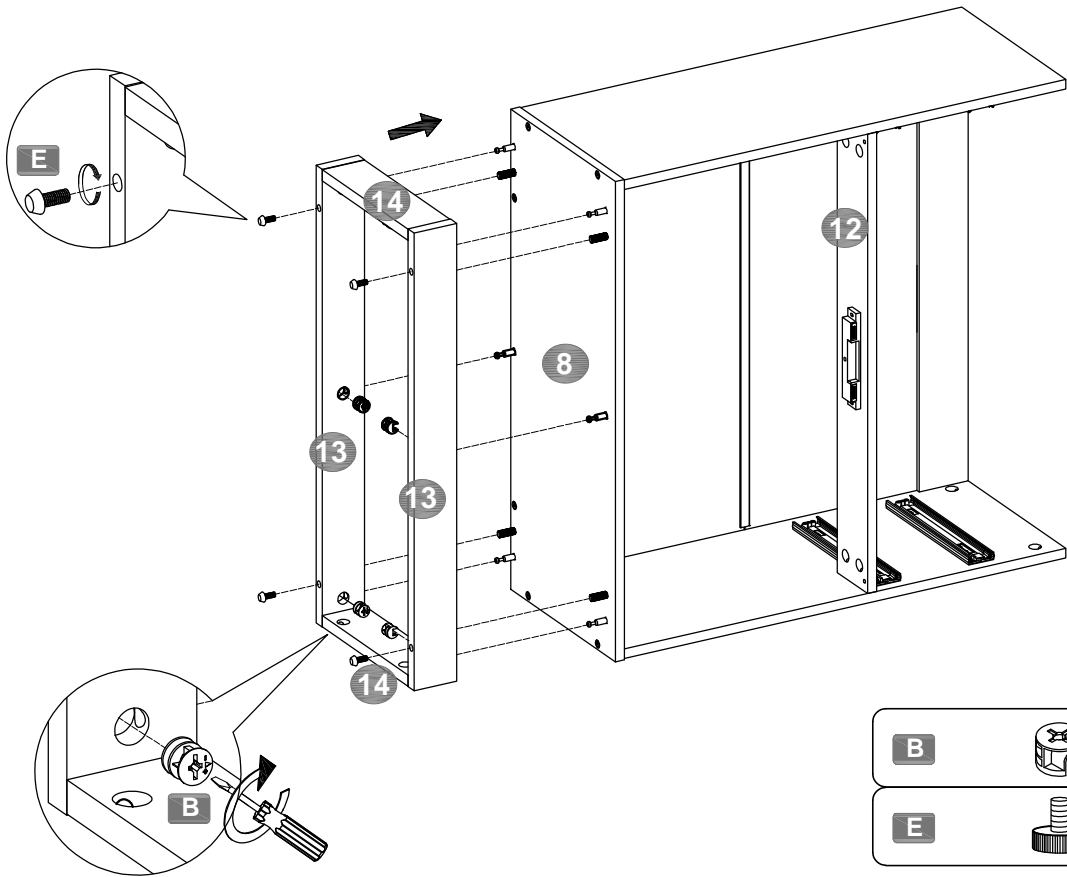
17



18

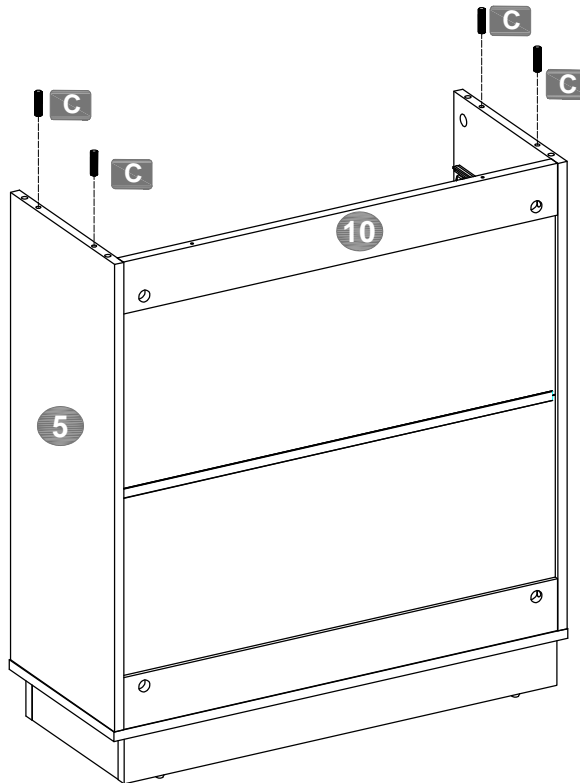


19



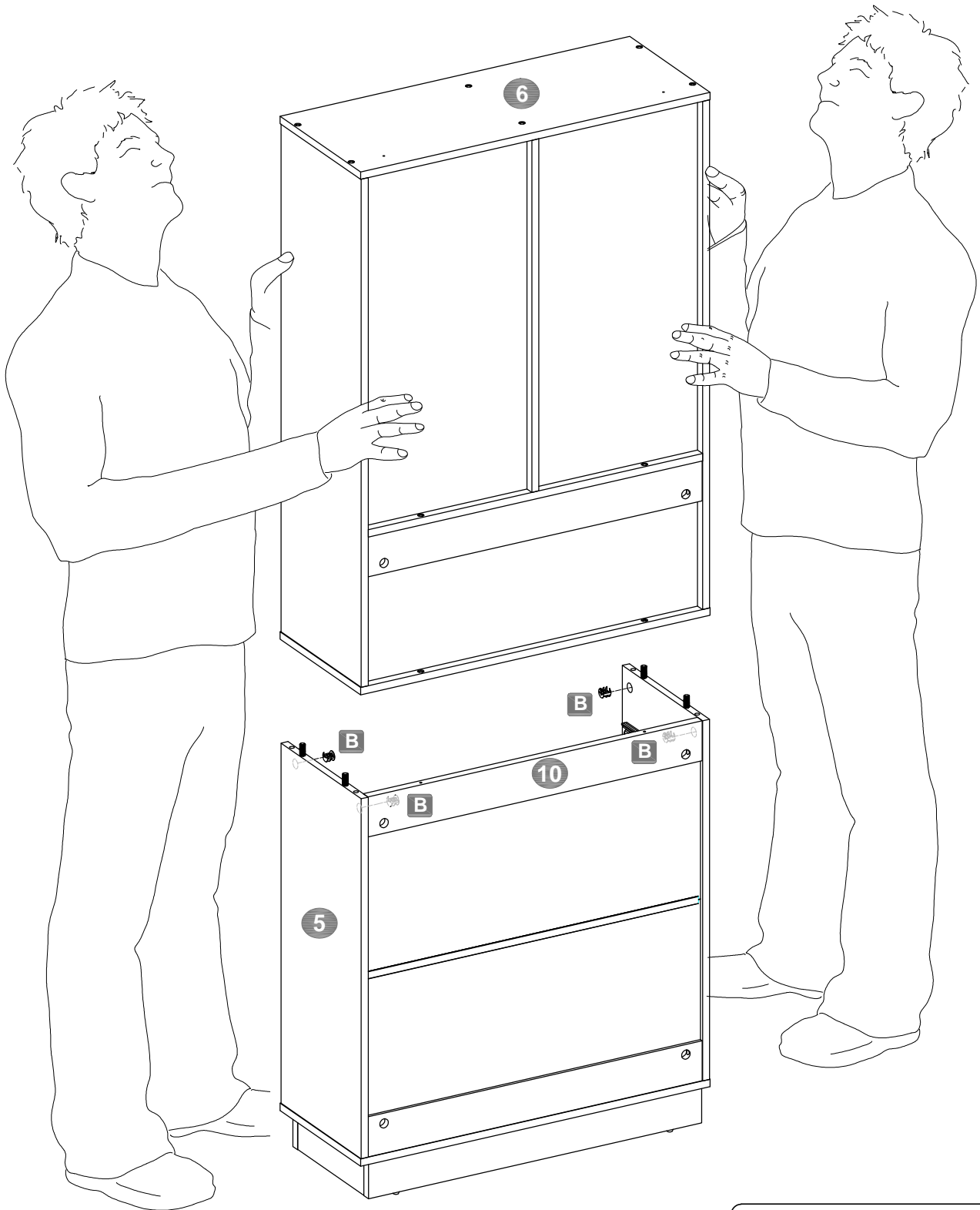
- | | | |
|---|--|-----|
| B | | × 6 |
| E | | × 4 |

20



- | | | |
|---|--|-----|
| C | | × 4 |
|---|--|-----|

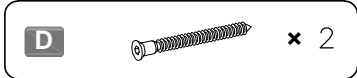
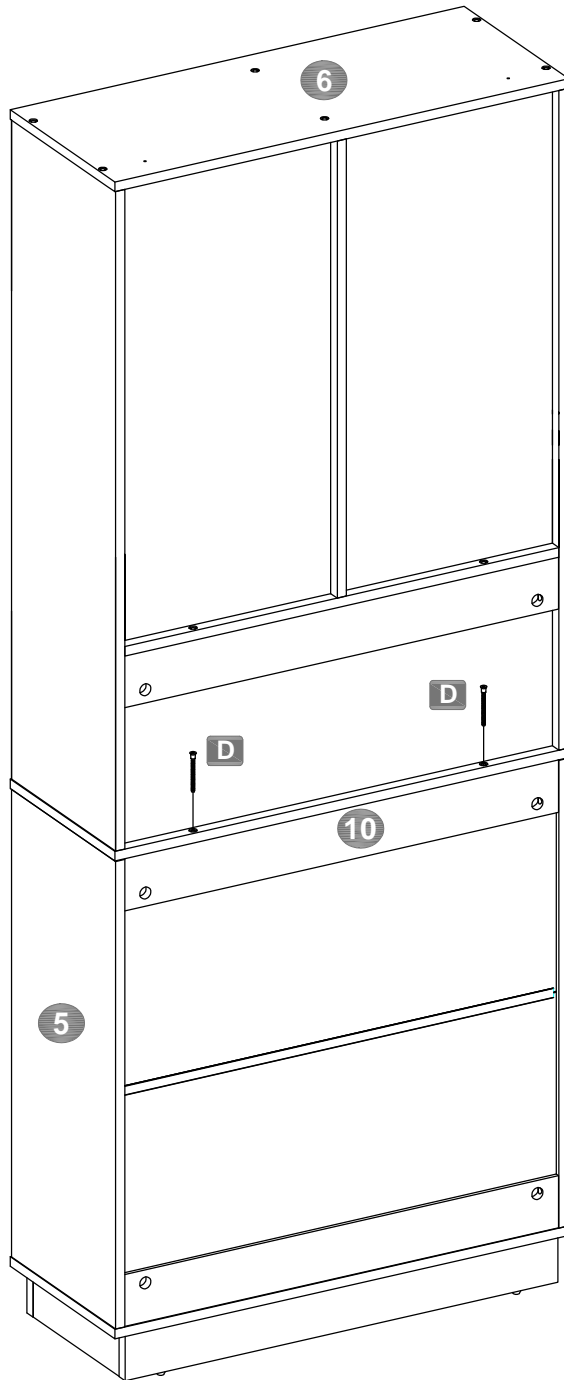
21



B  **x 4**

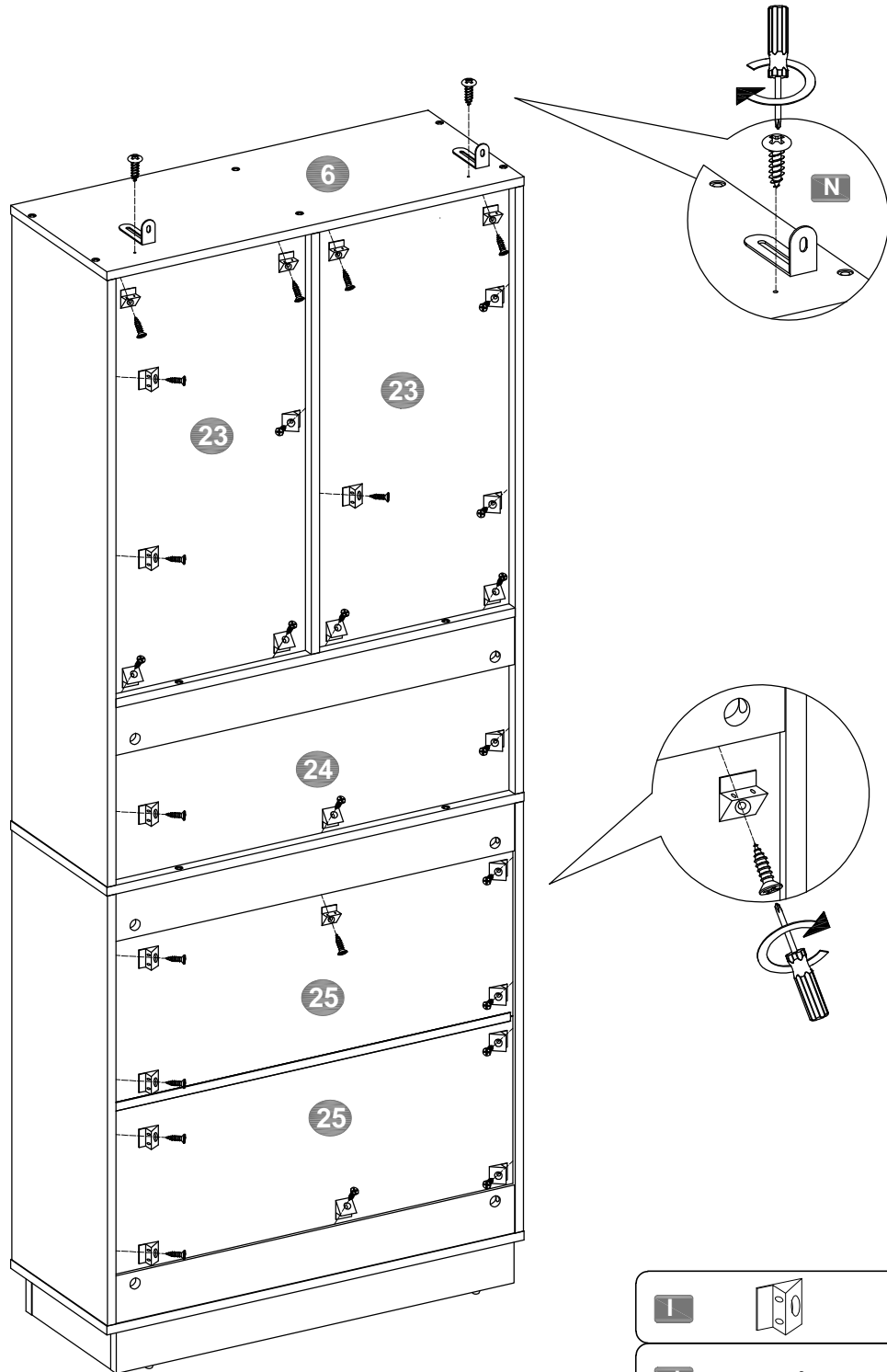



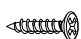


22



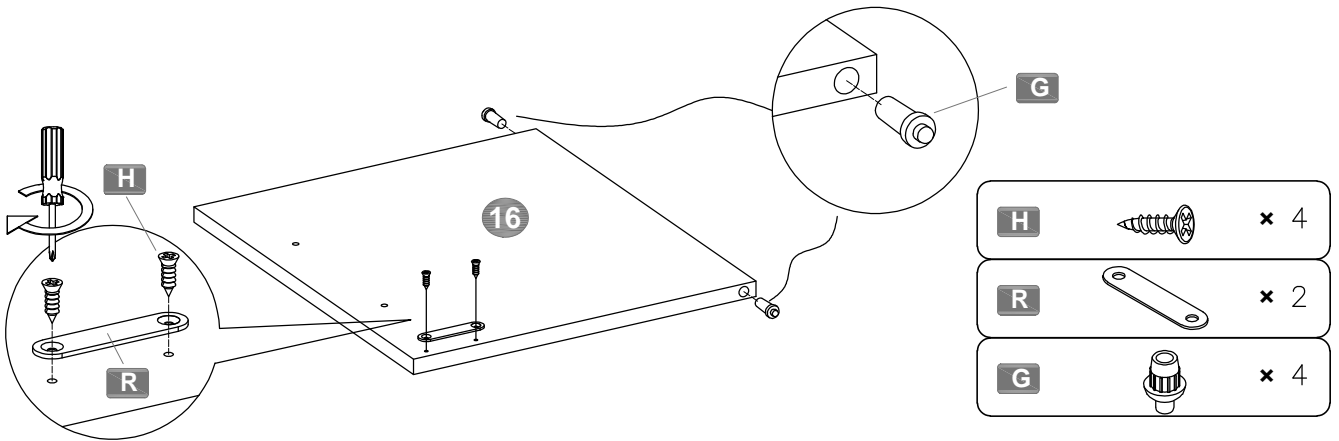
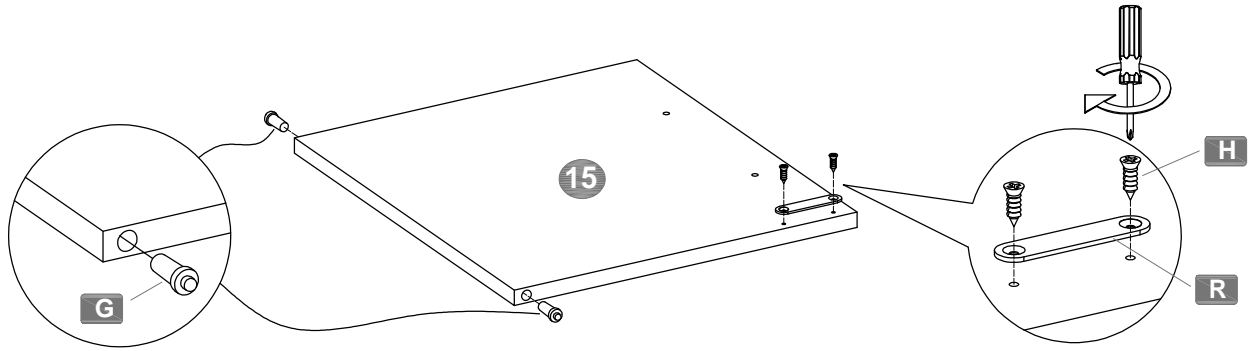


23

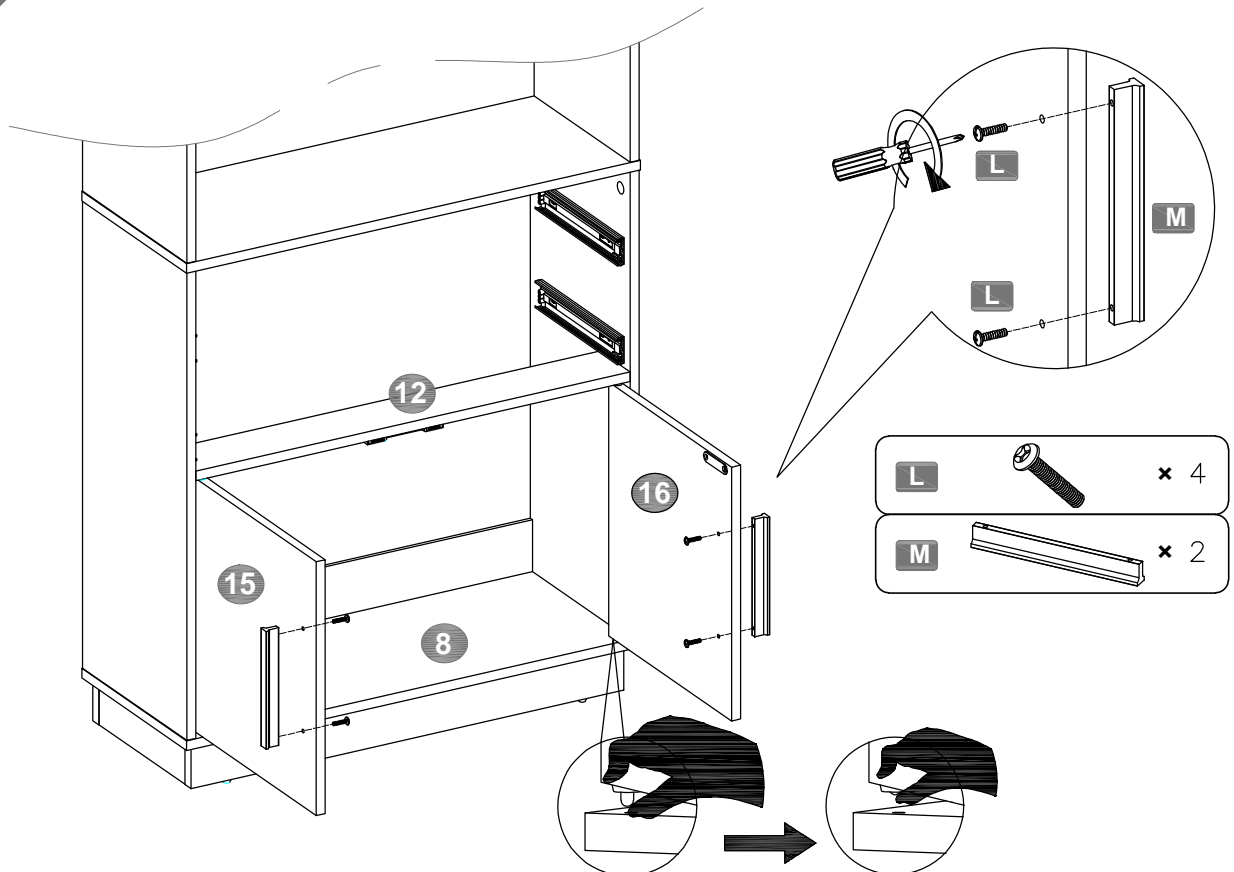


I		× 27
J		× 27
N	 	× 2

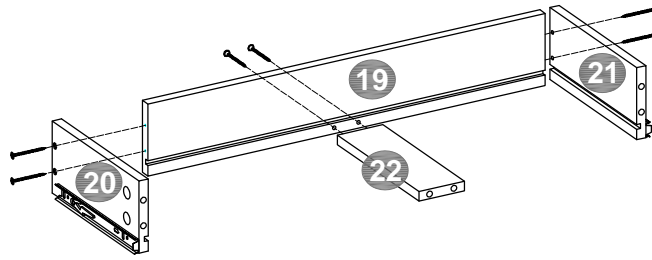
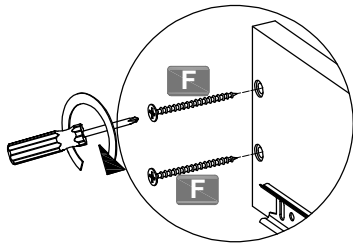
24



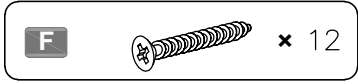
25



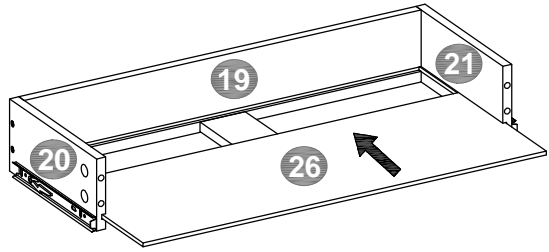
26



X 2

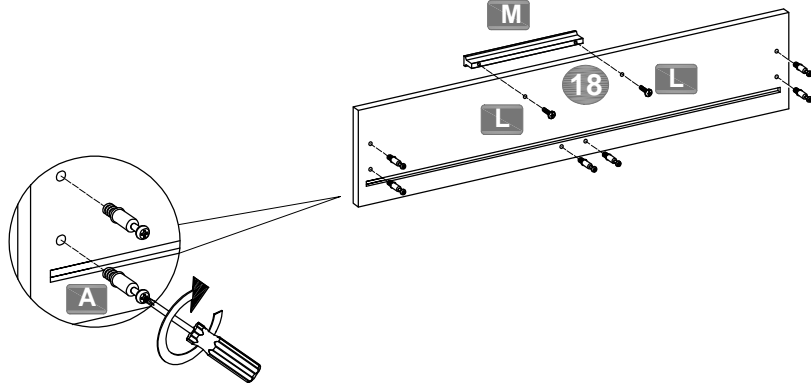


27

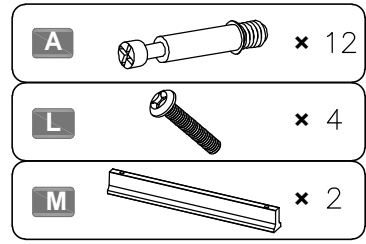
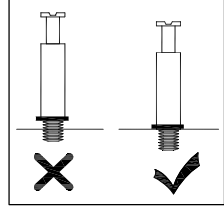


X 2

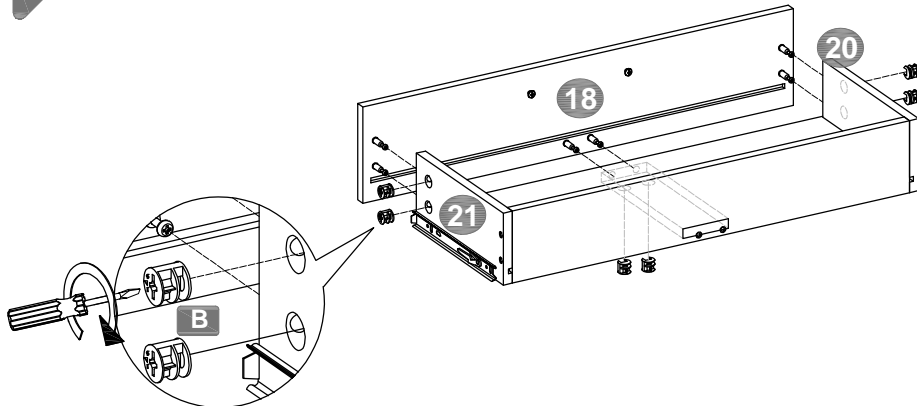
28



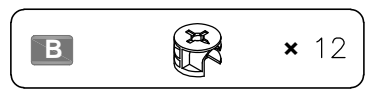
X 2



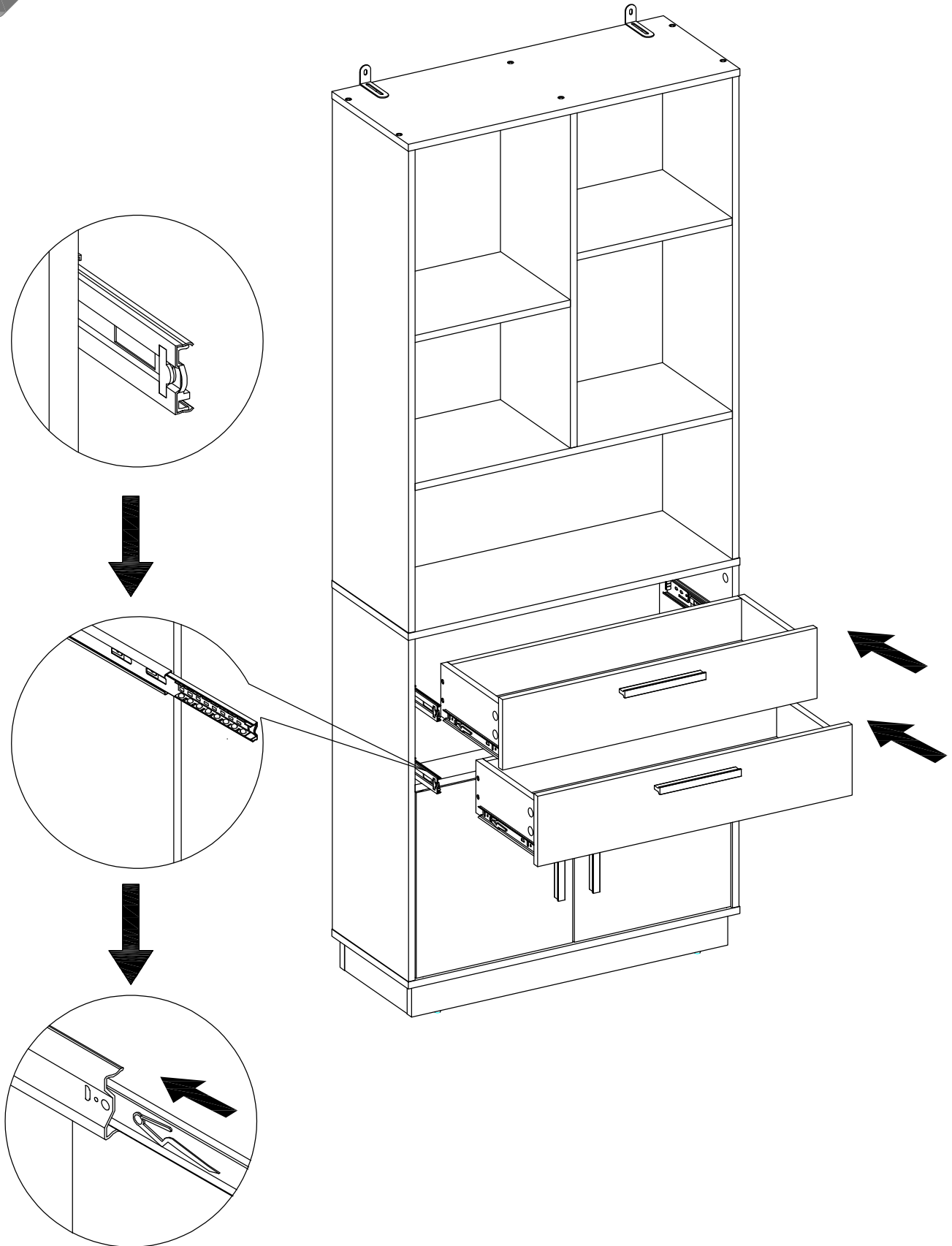
29



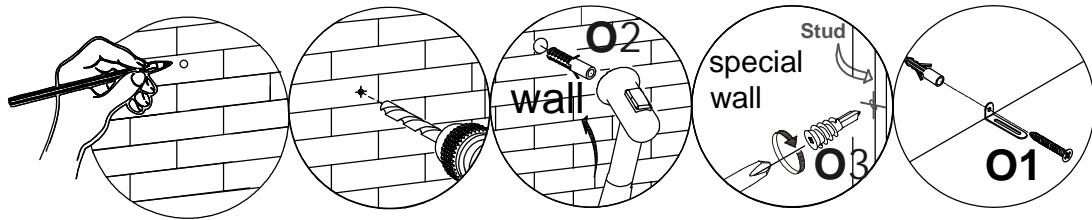
X 2



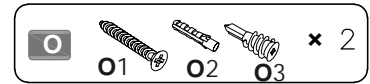
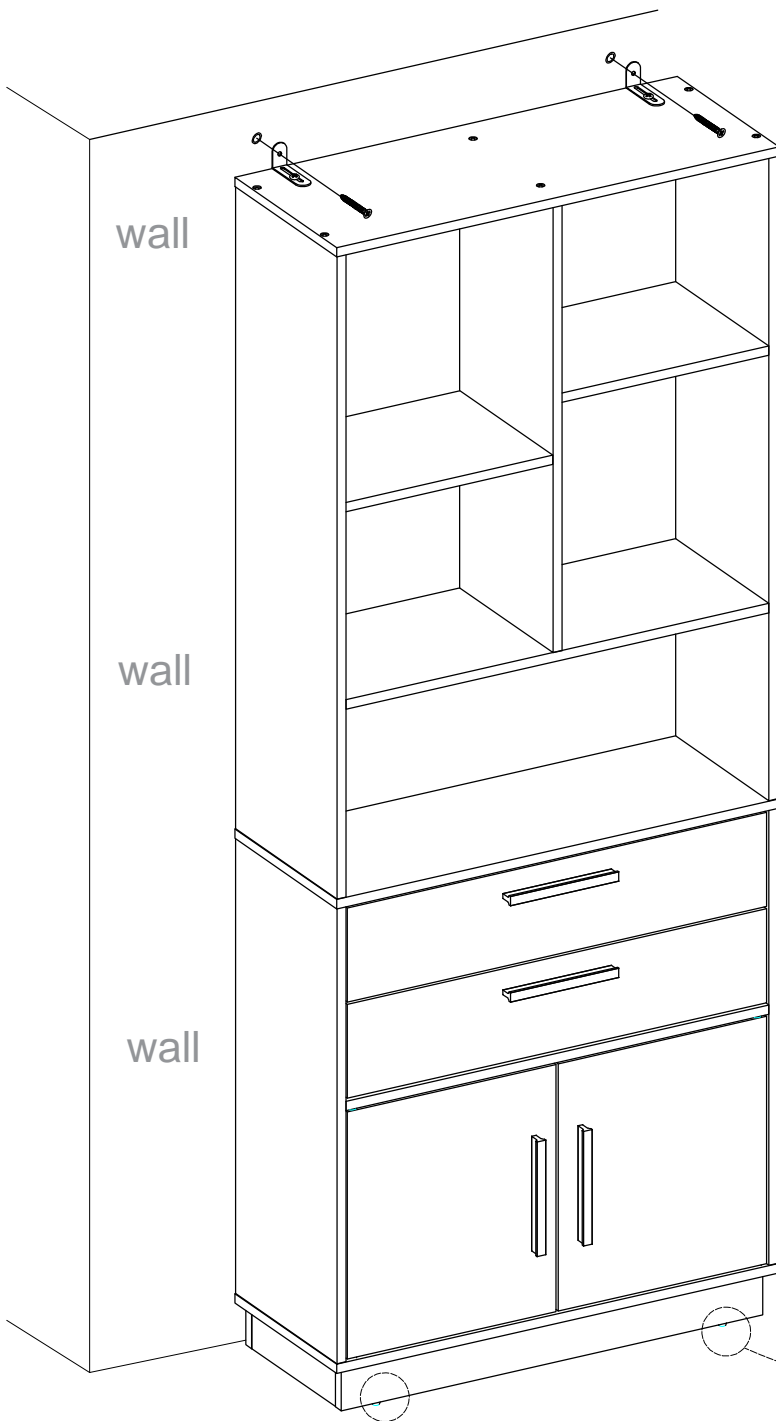
30



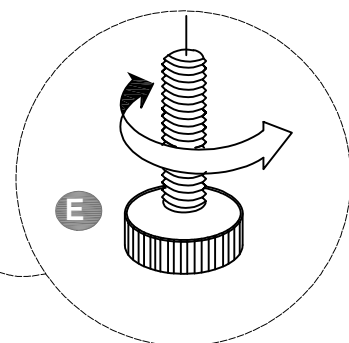
31



Upon completion of installation, if the product is not level, please refer to Step E to adjust the height of the leveling feet until the product is perfectly horizontal.

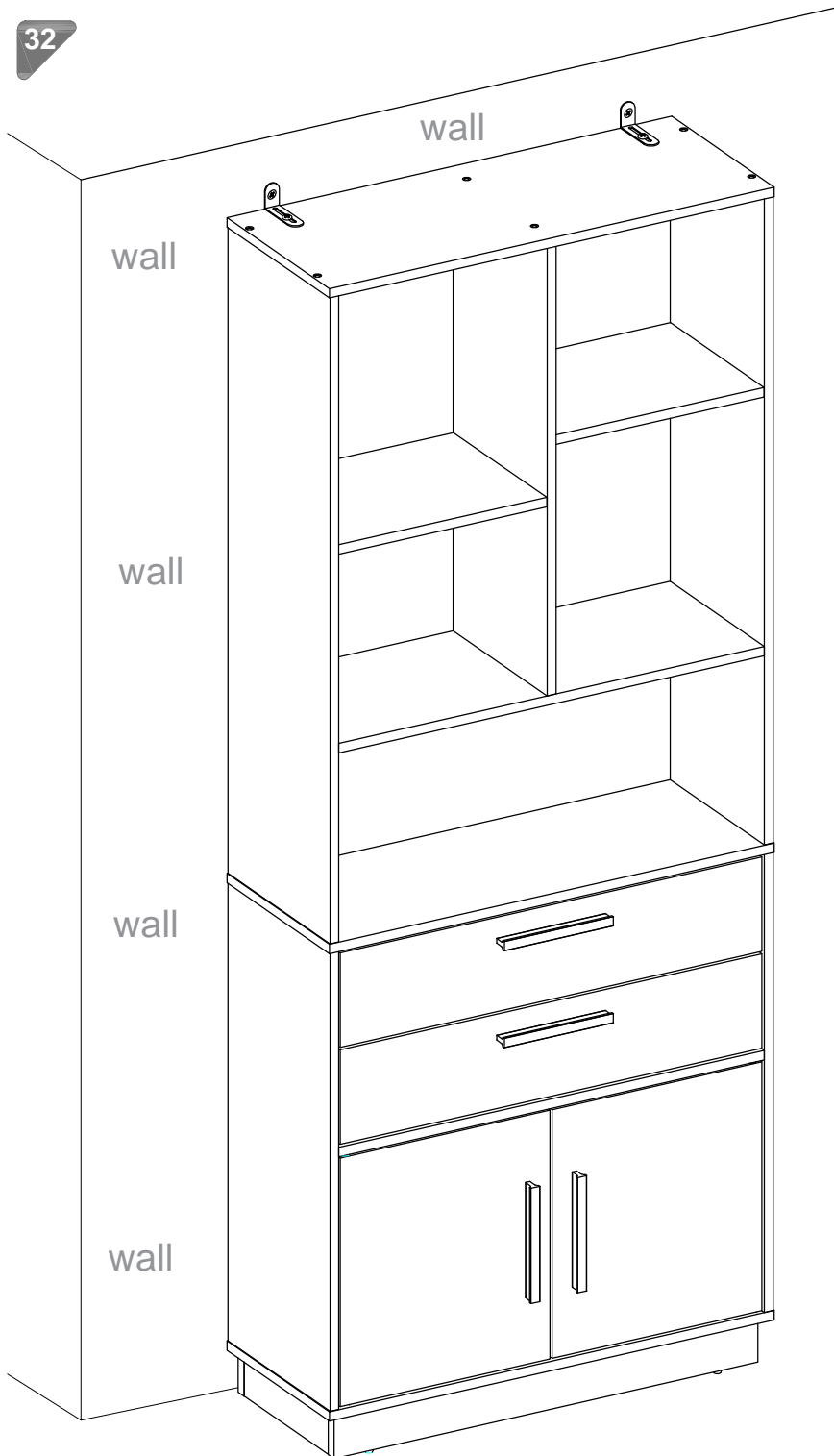


After assembly: If the product is not balanced, please adjust the adjustable feet "E" to the appropriate position





32



Once the product is secured to the wall, it cannot be moved.
Date of manufacture : 2024/07

Made in Vietnam

