

# INSTALLATION AND SAFETY INSTRUCTIONS

## FOR YOUR SAFETY

WARNING: BE SURE THE ELECTRICITY TO THE WIRES YOU ARE WORKING ON IS SHUT OFF: EITHER THE FUSE IS REMOVED OR THE CIRCUIT BREAKER IS SHUT OFF  
CAUTION: THE PRODUCT SHOULD BE INSTALLED BY A QUALIFIED ELECTRICIAN THAT IS AWARE OF THE CONSTRUCTION AND OPERATION OF THE PRODUCT AND THE HAZARDS INVOLVED

## GENERAL

You don't need special tools to install this fixture  
Be sure to follow the steps in the order given. Under no circumstances should a fixture be hung on house electrical wires nor should a swag type fixture be installed on a ceiling, which contains a radiant type heating system. Read instructions carefully  
If you are unclear as to how to proceed, consult a qualified electrician

NOTE: Proper wiring is essential for the safe operation of this fixture

## FIXTURE ASSEMBLY

Carefully removed the fixture from the carton and check that all parts are included as shown in figure. Be careful to misplace any of the screws or parts, which are needed to install this fixture

## INSTALLATION

Please note that small Silicon grooves include in the parts bag, if needed, please attach the small silicon grooves on the glass panel bottom edge and top edge and before assembling the Glass panel into the fixture cage. The silicon grooves attached on the Glass panel top needs to match the tabs of the fixture cage

STEP 1: Insert the Glass Panel (E) into side 1 and side 2 of the cage (F). Pressing the tabs (K) on the top edge to secure the glass panels. And then the Glass Panel (E) into side 3 and side 4 of the cage (F). Pressing the tabs (K) on the top edge to secure the glass panels. the tabs should be bent up as possible to hold the Glass panel tight.

STEP 2: Insert the bulb (D) into the socket and screw snugly into place.

STEP 3: Put the top cover (C) onto the cage (F), put the plastic O ring (B) to the nipple, then lock with the rectangle loop (A).

STEP 4: Pull out the source wires. Make wire connections using wire nuts (G) as follow -- connect the hot wire (usually black insulation) from the fixture to the black wire from the power source. Connect the neutral wire ( usually white insulation) from the fixture to the white wire from the power source. Attach the fixture grounding wire (usually green insulation bare wire) to the grounding wire with nut (G). More details see THE WIRING INSTRUCTION

STEP 5: Put the fixture to the post, Tighten mounting screws to hold the fixture securely in place.

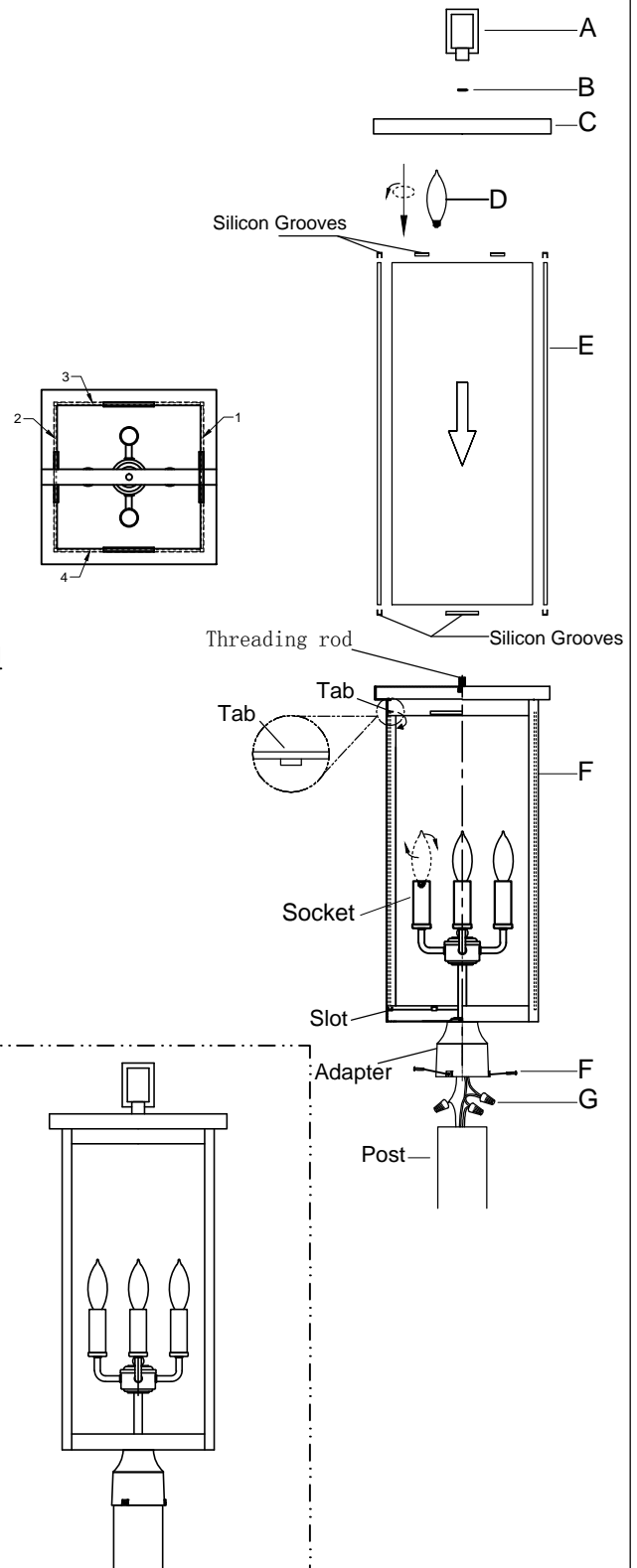
Your fixture is now assembled and ready to use.

See relamping label at socket area or packaging for maximum allowed wattage

## CLEANING

To clean, Wipe fixture with a soft and dry cloth.  
Do not use abrasive materials such as scouring pads or powders, steel wool or abrasive paper.

Line art shown may not exactly match the fixture enclosed. However, the installations do apply to this fixture



# WIRING INSTRUCTIONS

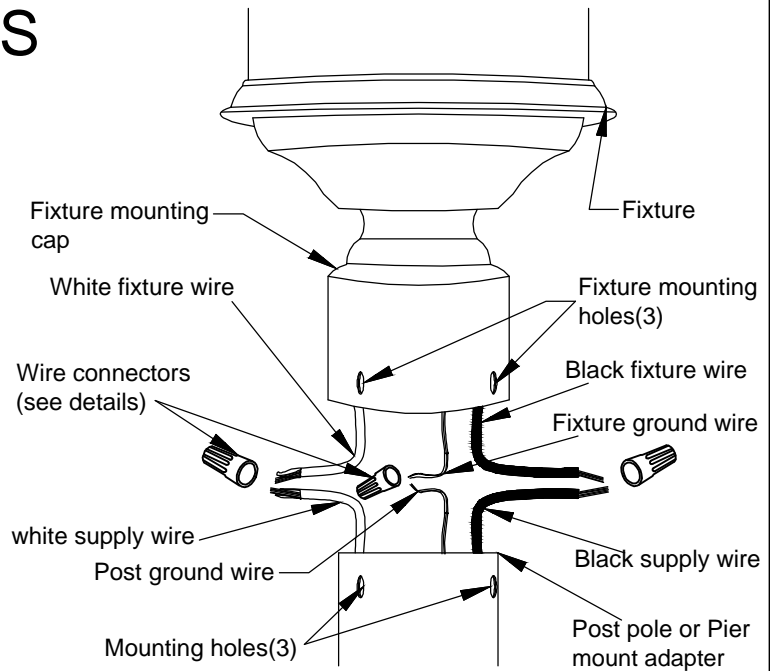
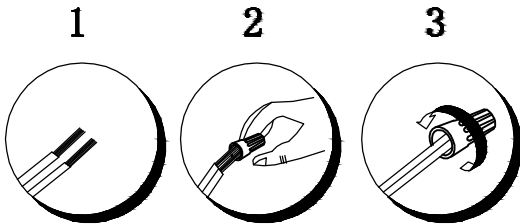
**WARNING: DISCONNECT POWR AT THE MAIN ELECTRICAL PANEL BEFORE INSTALLATION**

If you are replacing an existing fixture. Remove and disconnect the old fixture

1. Expose the Supply wires from the post.
2. Position Supply wires with the White supply wire on one side of the post, and the Black Supply Wire on the other side of the post.
3. Connect the Fixture Ground wire to the Post Ground wire using Wire Connector.
4. Connect the White Wire from the Fixture to the White Supply Wire from the Post using Wire Connector
5. Connect the Black Wire from the Fixture to the Black Supply Wire from the Post using Wire Connector

NOTE: Reference chart for correct connection procedures, and wire accordingly

Detail 1, 2, 3 show the proper procdure to secure wires with wire connectors



Connect black or red house wire to:	Connect white house wire to:	White marked or ridged fixture wire
Black	White	 White supply wire
Parallel cord-SPT lolrl (round & smooth)	Parallel cord-SPT lolrl (square & ridged)	Black unmarked or smooth fixture wire
Clear, Brown, Gold or Black (whitout tracer)	Clear, Brown, Gold or Black (whit tracer)	 Black or red supply wire
Insulated wire (Other than GREEN) with copper conductor	Insulated wire (Other than GREEN) with silver conductor	

# FIXTURE MOUNT NG NSTRUCTIONS

1. After all connections are secure. Carefully tuck wires into the Post or pier mount adapter. No loose strands or loose connections should be present.
2. Slide fixture onto the post or pier mount adapter. Make sure no wires are pinched or exposed. Carefully align Mounting screw holes on the Fixture Post Mounting Cap with Mounting screw holes on the post or pier mount adapter. It may be necessary to twist th Fixture to assure proper alignment.
3. Tighten Mounting screws to hold the Fixture securely in place.
4. Installation is now complete. Restore electricity and check the operation of your lighting Fixture.

