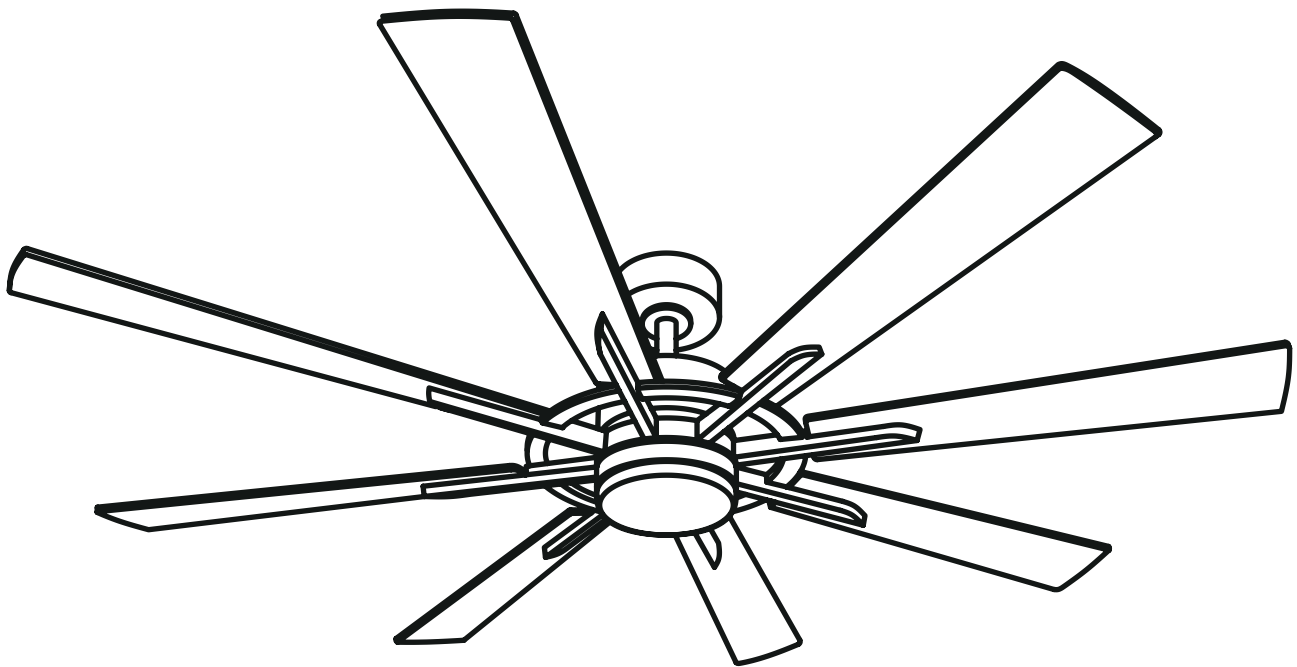


Ceiling Fan and Light

Instruction Manual



Make A House Home

Disclaimer

Read this disclaimer completely and carefully before proceeding with the rest of the manual content.

1. As-Is

This product is sold 'as is' and without any express or implied warranties, including but not limited to the implied warranties of merchantability and fitness for a particular purpose.

2. Product Modifications

Any modifications or alterations to void any warranties and may result in damage or injury. shall not be liable for any damages resulting from such modifications or alterations.

3. Compliance with Laws

Customers shall be liable for ensuring that the use of products complies with all applicable laws and regulations in their respective jurisdictions. assumes no responsibility for any violations of laws or regulations resulting from the use of products.

4. Correct Use

Always use products only as directed in the accompanying manuals. Failure to follow instructions may result in injury or damage.

Always ensure the assembly, installation, operation, maintenance, or repair of products is carried out by a competent person.

Always make maintenance regularly throughout products' lifecycles; you have the liability to keep the products operating as intended.

Always wear appropriate protective gear.

5. Third-Party Products

shall not be liable for any damages or losses resulting from the use of third-party products in conjunction Customers shall refer to the third-party's guidelines or/and warranties (if any) for any third-party products used.

6. Limitation of Liability

shall not be liable for any direct, indirect, punitive, incidental, special, or consequential damages to property or life, whatsoever arising out of or connected with the use or misuse of products. In no event shall liability exceed the value of the products sold.

This disclaimer states the entire obligation of with respect to products. If any part of this disclaimer is determined to be void, invalid, unenforceable, or illegal, including but not limited to the warranty disclaimers, liability disclaimers, and liability limitations set forth above, the invalid or unenforceable provision will be deemed superseded by a valid and enforceable provision that most closely matches the intent of the original provision and the remainder of the agreement shall remain in full force and effect.

Preface

dedicated home enthusiasts with a mission to offer you high-quality products at affordable prices, all from the comfort of your own home. Our goal is to transform your house into a place you truly call home.

We are committed to delivering an exceptional customer service experience, along with a diverse selection of quality products, all available at reasonable prices.

To ensure successful installation, please read this manual carefully before starting your work. For the latest PDF version, scan the left QR code using the appropriate app on your smartphone.

Contents

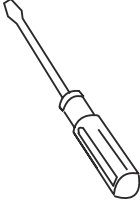
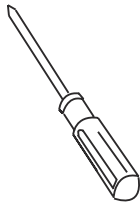



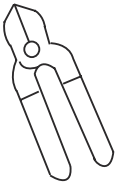


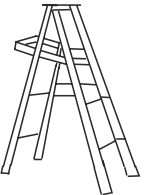
Introduction.....	1
Parts Diagram	2
Safety Information	3
Preparation.....	4
Installation.....	5
Mounting Bracket	5
Fan Blades	6
Wire Extensions	7
Downrod and Motor.....	8
Main Wiring	12
Canopy	13
Light	14
Test.....	15
Remote Control Operation.....	16
Color Temperature Adjustment.....	16
Troubleshooting	17
Disposal.....	18
Customer Support and Policies	19

Introduction

Before beginning installation of this product, refer to **Parts Diagram** on **Page 2** and ensure all parts are present and display no defects. If any part is missing or damaged, contact customer service and do not attempt to install the product. Read **Safety Information** on **Page 3** before installation or use.

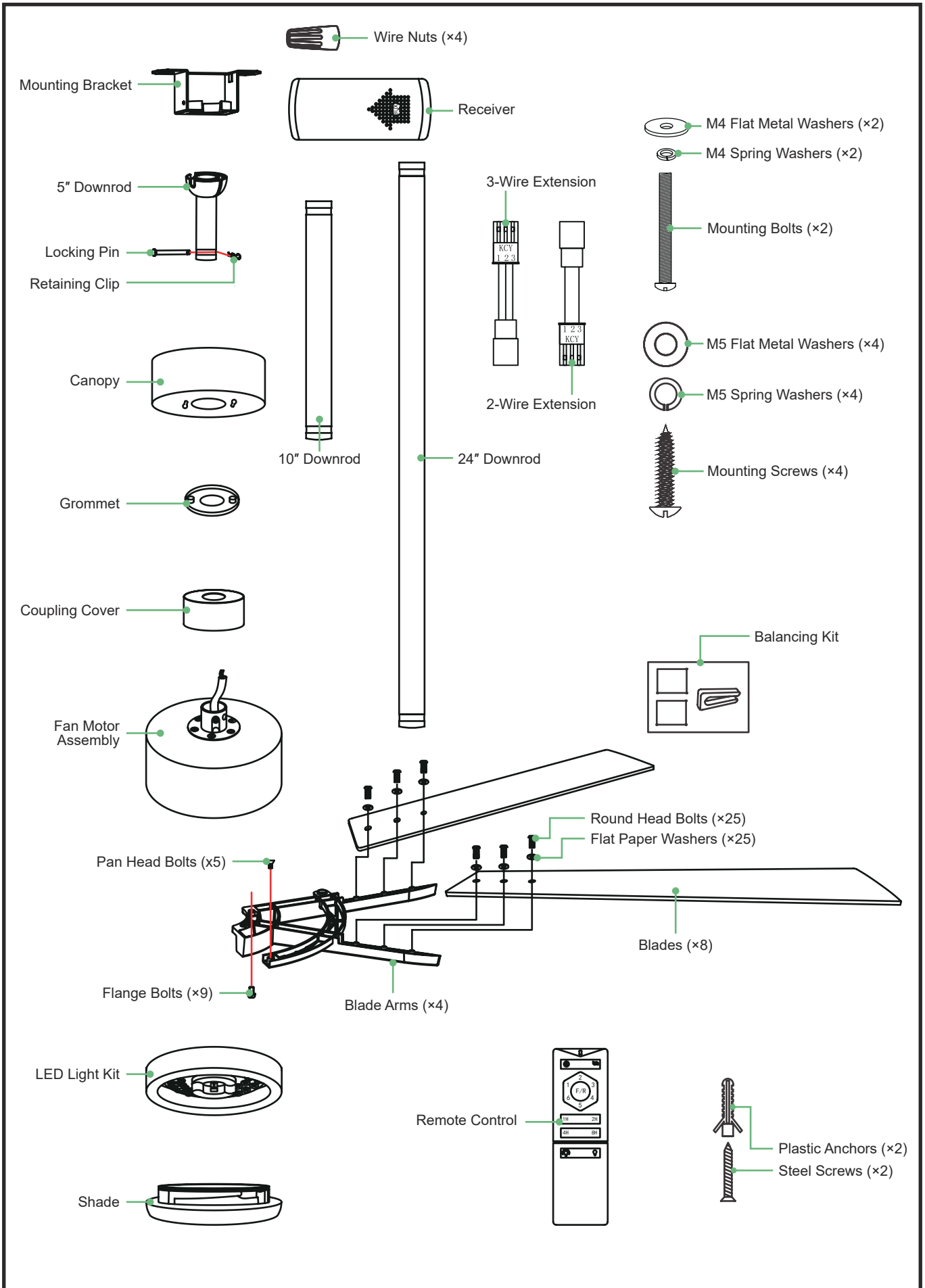
Estimated assembly time: 120 minutes

Tools not included but required:

Flathead Screwdriver 	Phillips Screwdriver 	Power Screwdriver 
Adjustable Wrench 	Pliers 	Wire Stripper 
Electrical Tape 	Safety Glasses 	Ladder 

Additional helpful tools: AC tester light, tape measure, wiring handbook, and wire cutters

Parts Diagram



Safety Information

Warning

- Read **ALL** these instructions carefully before installation and use.
ONLY install and use this fan in accordance with these instructions.
Keep these instructions for future reference and provide them to anyone who will use or service this fan.
- **ONLY** install this fan in indoor locations well protected from the elements.
- To reduce the risk of electric shock, ensure electricity has been turned off at the circuit breaker or fuse box before beginning.
- All wiring **MUST** be in accordance with national and local electrical codes.
Electrical installation should be performed by a qualified licensed electrician.
- This fan is suitable for use with solid-state speed controls.
- To reduce the risk of personal injury, **ONLY** use the fasteners provided with the junction box for mounting to the junction box.
Most junction boxes commonly used for the support of lighting fixtures are **NOT** acceptable for fan support and may need to be replaced.
Consult a qualified electrician if in doubt.
- The junction box and support structure **MUST** be securely mounted to create a level surface within 10° of horizontal and **MUST** be capable of reliably supporting a minimum of 50 pounds (23 kg).
ONLY use UL listed junction boxes marked "**FOR FAN SUPPORT**".
- After electrical connections are completed, spliced conductors should be turned upward and pushed carefully up into the junction box.
The wires should be spread apart with the grounded conductor and the equipment-grounding conductor on one side of the junction box.
- **NEVER** modify or remove **ANY** wire plugs of this fan.
- **NEVER** connect this fan's light to **ANY** other power sources or switches.
- The fan **MUST** be mounted with a minimum clearance of 7 feet (2.5 m) from the trailing edge of the blades to the floor.
- **DO NOT** place objects in the path of the blades.
- Exercise caution when working around or cleaning the fan.
- Use a soft dry cloth to clean the fan body and blades.
DO NOT use water or detergent.
- The electrical diagrams provided herein are for reference only.
Light kits that are not packaged with the fan **MUST** be UL listed and suitable for use with this fan.
Switches **MUST** be UL general use switches.
Refer to their separate instructions for proper assembly.
- **NEVER** bend the blades for any reason.
- **NEVER** replace any parts with nonidentical or unauthorized ones.

Preparation

1

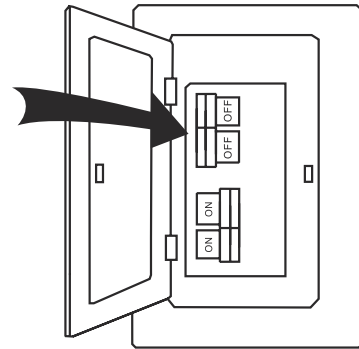
Turn off Your Power

Begin installation by removing fuses or turning off circuit breakers to the wiring you will be using.

Use your compatible UL listed junction box if you already have one installed.

Warning

Failure to disconnect the power supply prior to installation may result in serious injury or death.



2

Choose Your Mounting Position

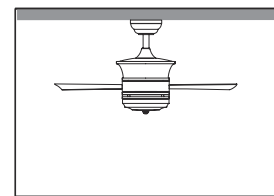
If you need to install a new UL listed junction box, secure it directly to your building's structure using appropriate fasteners and materials.

Caution

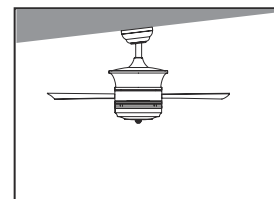
DO NOT use plastic boxes.

The junction box and its supports **MUST** be able to support the **MOVING** weight of the fan (at least 50 lb. or 23 kg) and be rated for fan support.

The junction box should create a level surface for the fan that is **NOT** sloped greater than 10 degrees from horizontal in any direction.



Use **ONLY** on Flat Ceilings ($\pm 10^\circ$)



DO NOT Use on Steep Slopes

3

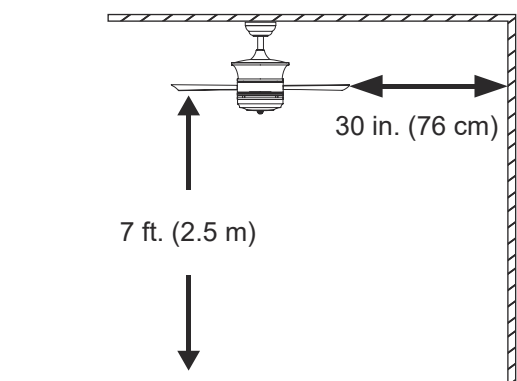
Choose a Suitable Location

Ensure the blades will be at least 30 inches (76 cm) from any obstruction and at least 7 feet (2.5 m) above the floor.

In locations without a ceiling joist, a hanger support bar may be required.

Caution

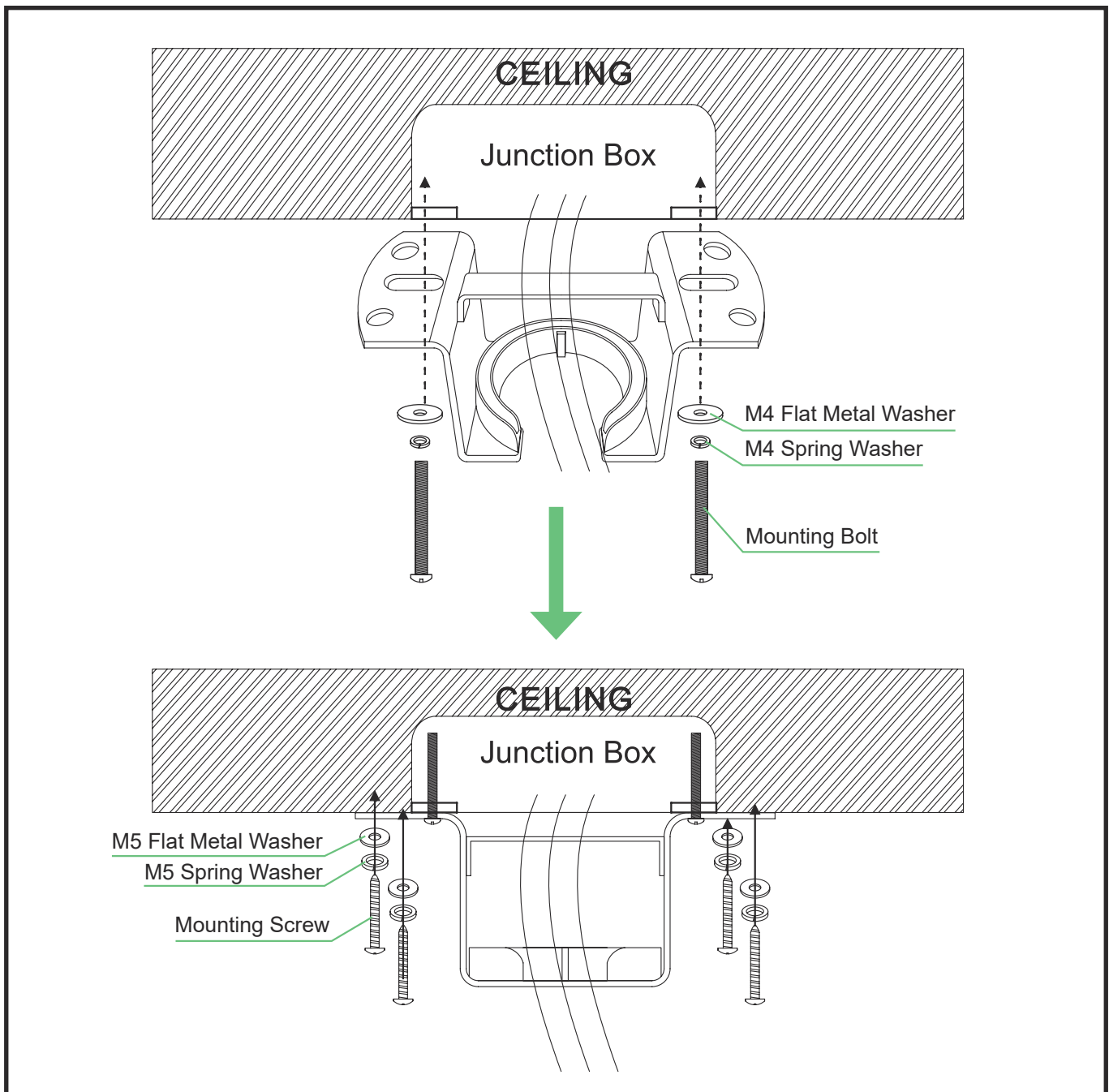
DO NOT install in damp locations.



Installation

Mounting Bracket

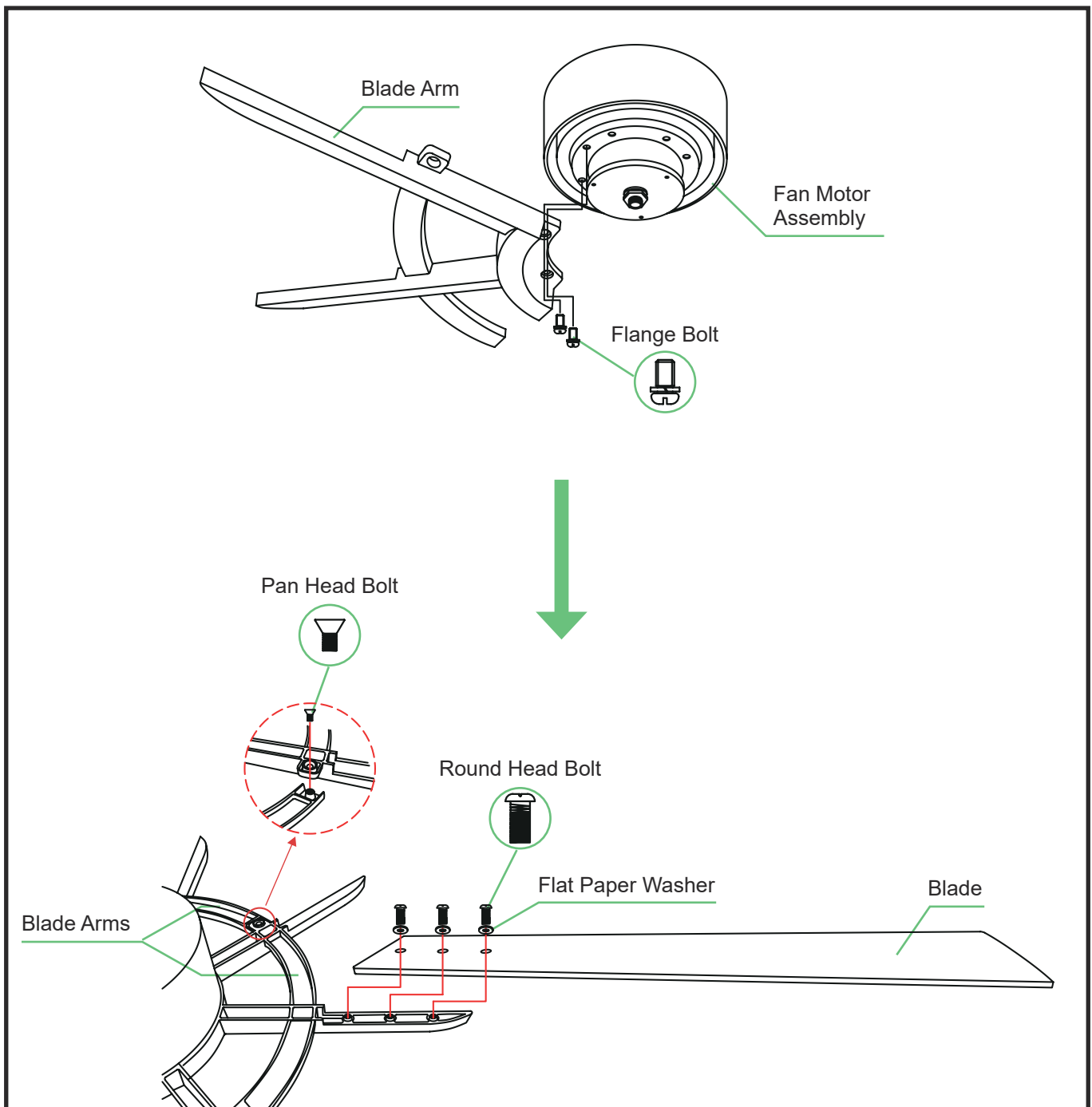
1. Pass your building's supply and ground wires through the central hole of the mounting bracket.
2. Secure the mounting bracket to your junction box with appropriate fasteners.
 - For wood or other thinner and weaker ceilings:
 - a. Partially fasten the bracket with the mounting bolts and M4 spring & flat metal washers.
 - b. Use the mounting screws and M5 spring & flat metal washers to secure the bracket into place.
 - c. If necessary, drill holes and insert matching plastic anchors (not included) to hold the mounting screws beforehand.
 - For reinforced concrete or similar ceilings, use anchor bolts (not included).



Installation

Fan Blades

1. Position a blade arm against the bottom of the fan motor assembly, aligning their bolt holes.
2. Use two flange bolts to fasten the arm in place.
3. Repeat steps 1–2 for the remaining arms.
4. Use a pan head bolt to secure each joint between two arms.
5. Fit a fan blade on an arm, aligning their bolt holes.
6. Use a flat paper washer and a round head bolt to lock the blade in place.
7. Repeat steps 5–6 for the remaining blades.



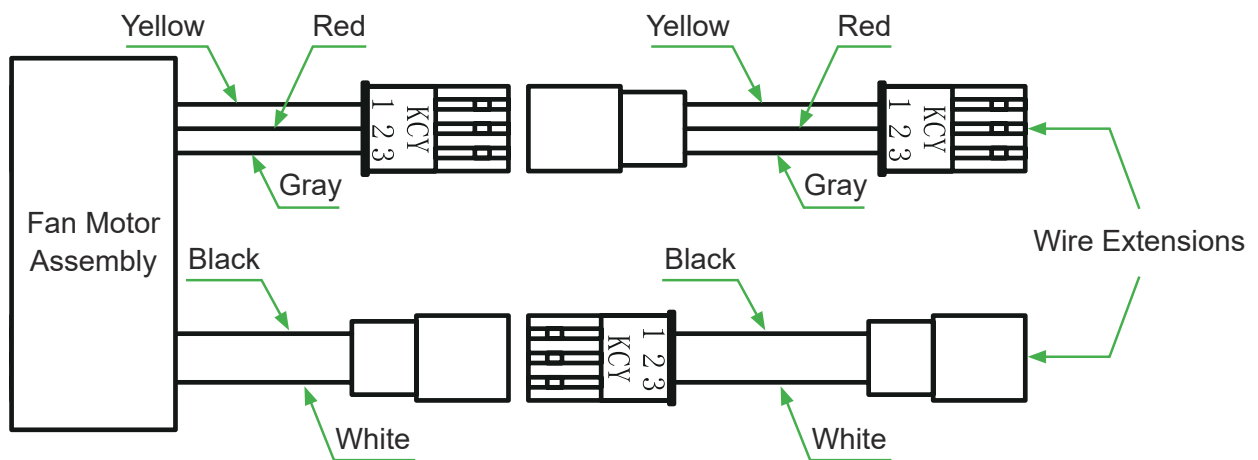
Installation

Wire Extensions

Warning

NEVER modify or remove **ANY** wire plugs.

Connect the plugs from the fan motor assembly to their corresponding wire extensions as shown.

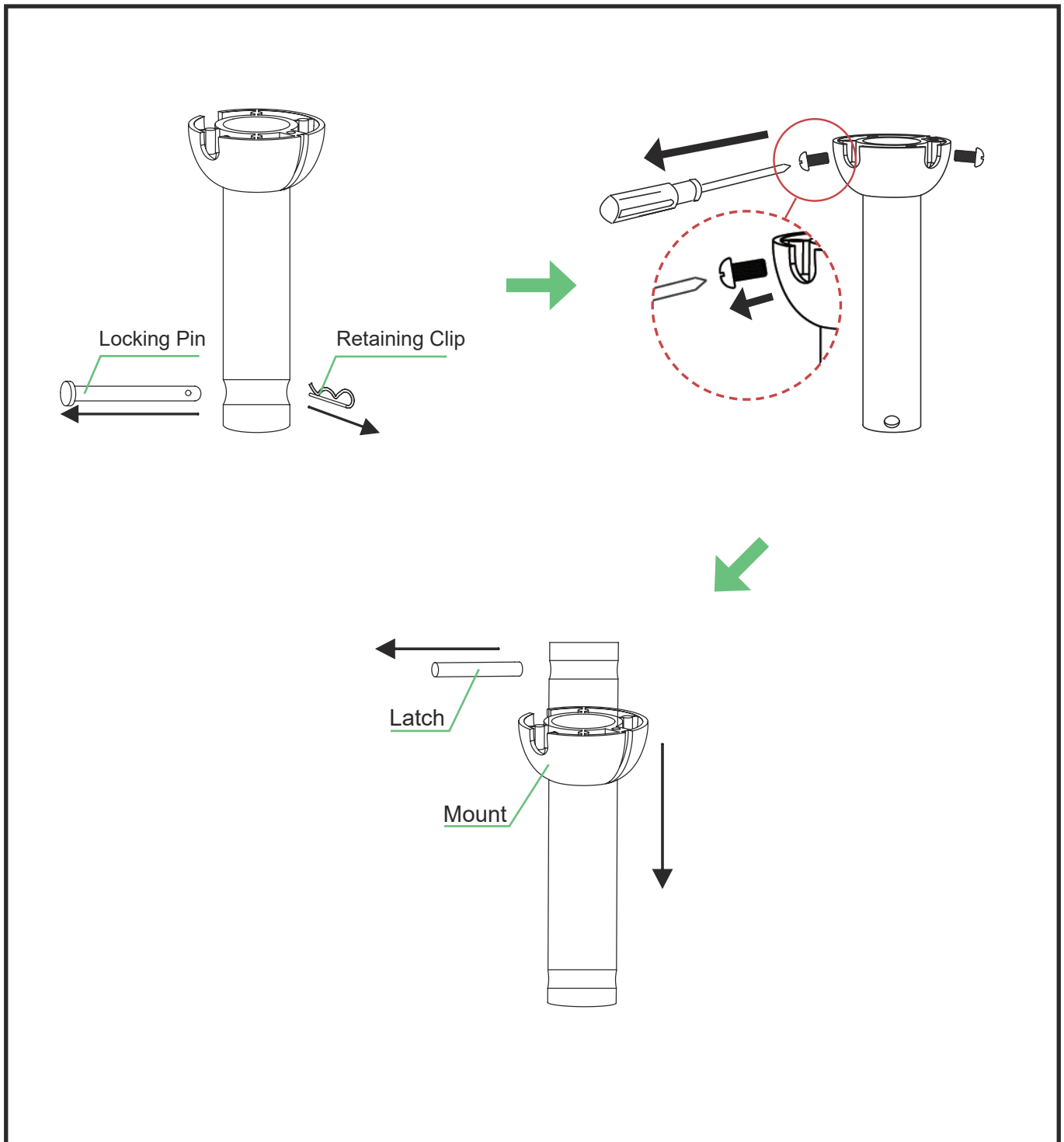


Installation

Downrod and Motor

Disassembling the 5" Downrod Kit

1. Remove the retaining clip and locking pin from the lower part of the 5" downrod.
2. Unscrew the two Phillips bolts from the mount of this downrod.
3. Slide down the mount away from this downrod.
4. Pull the latch out of the upper slot of this downrod.

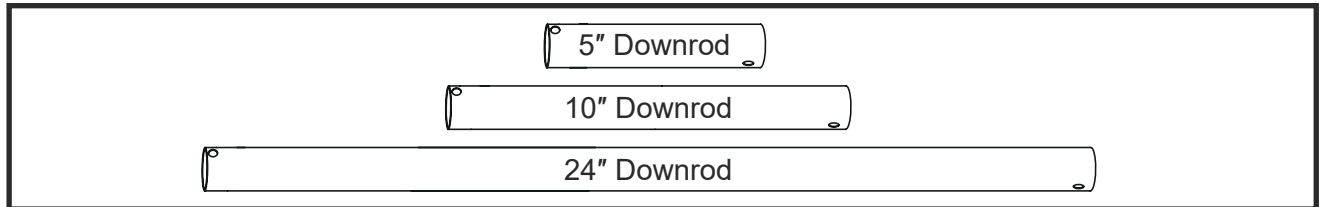


Installation

Downrod and Motor

Attaching a Downrod to the Motor

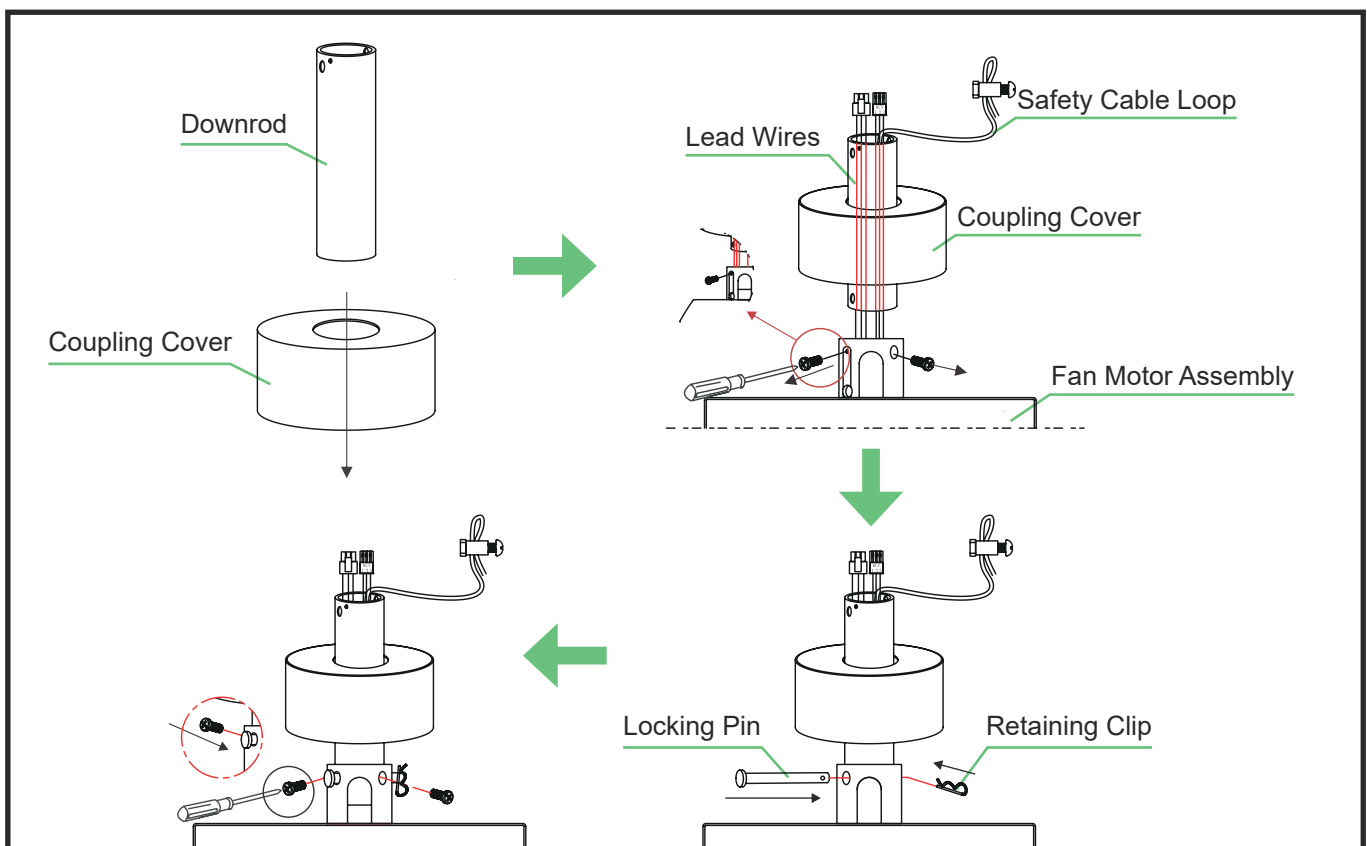
1. Select the 5", 10", or 24" downrod to match the height of your ceiling.



2. Pass the downrod through the coupling cover as shown.
3. Feed the lead wires and safety cable loop from the fan motor assembly through the downrod.
4. Loosen the two Phillips bolts at the top of the motor assembly.
5. Fit the downrod onto the motor's top, aligning their slots.
6. Partially fasten the downrod by replacing the previously removed locking pin and retaining clip.
7. Retighten the previously loosened bolts until the downrod is locked into place.

Warning

Failure to reattach the locking pin and retighten the Phillips bolts can cause the fan to fall from the ceiling during operation.

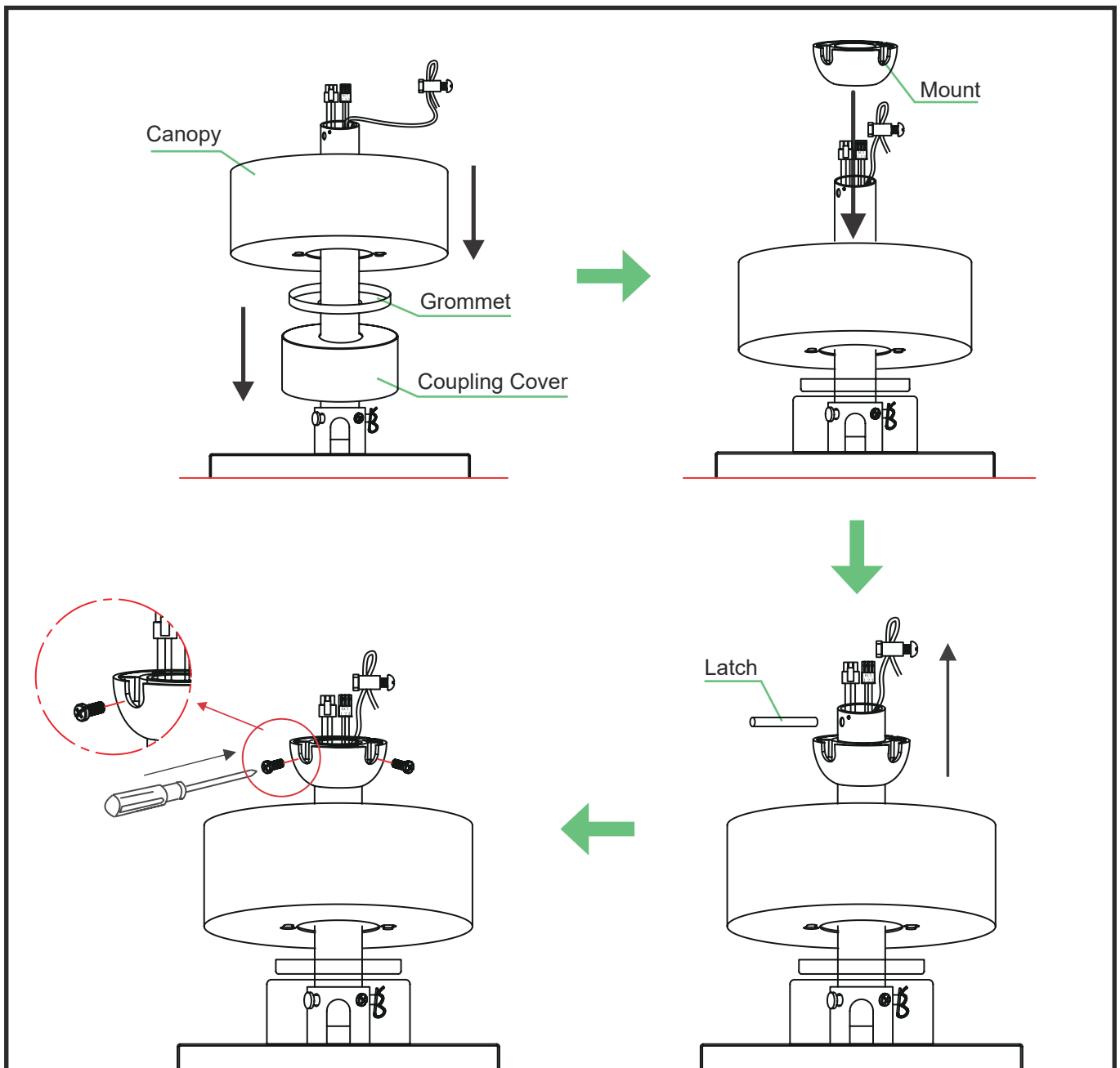


Installation

Downrod and Motor

Reassembling the Downrod Kit

1. Slide down the coupling cover.
2. Place the grommet and canopy onto the downrod and slide them to the coupling cover.
3. Replace the downrod's mount, passing the lead wires and safety cable loop through it.
4. Insert the removed latch back into the downrod's upper slot.
5. Slide up the downrod's mount, rotating until the latch is firmly seated inside the mount.
6. Replace the removed Phillips bolts onto the mount.
7. Tighten these bolts to secure the mount to the downrod.



Installation

Downrod and Motor

Hanging the Downrod and Motor

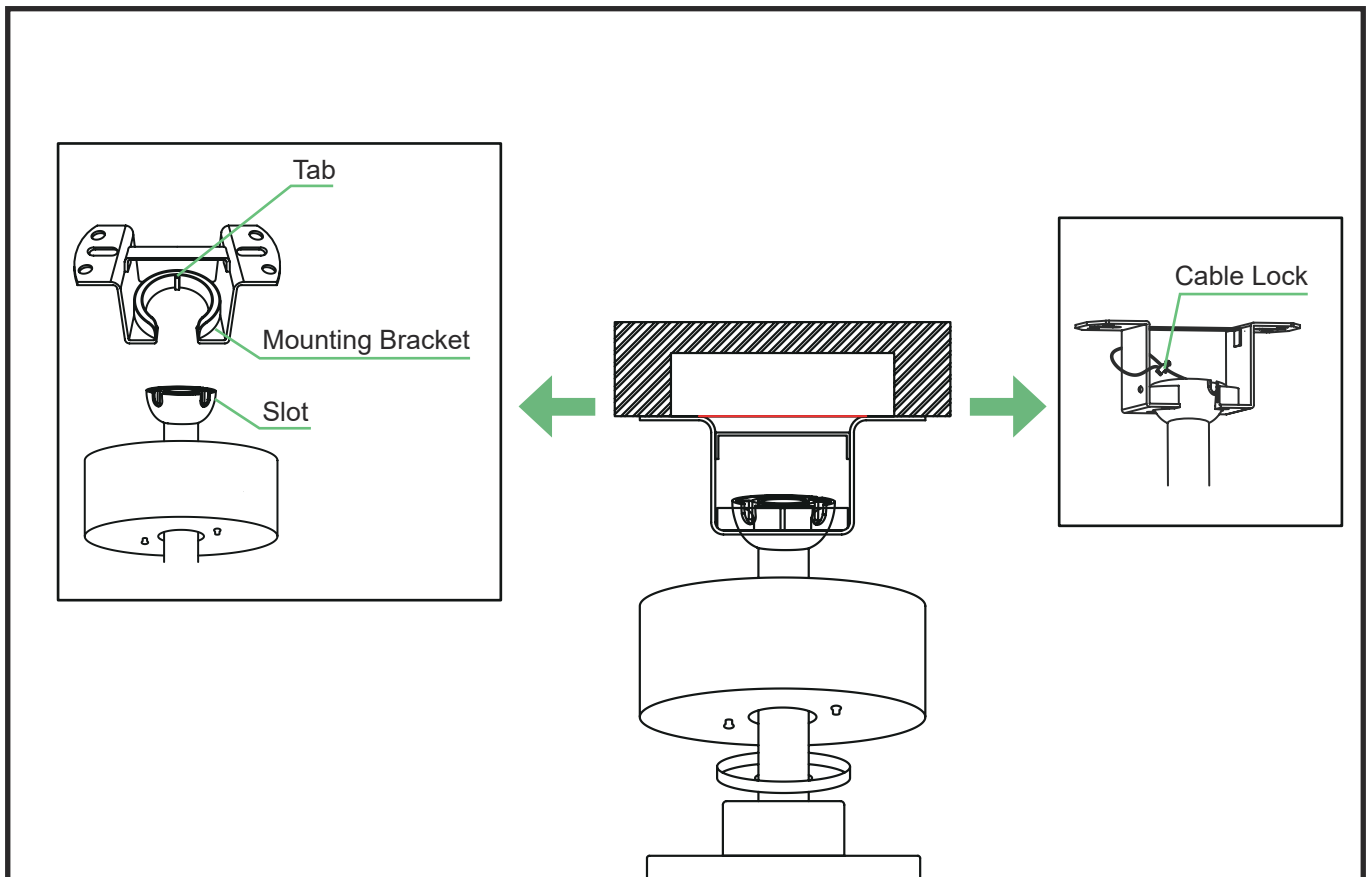
1. Fasten the downrod to the mounting bracket.
 - a. Release the downrod's cable lock by loosening its Phillips bolt.
 - b. Unwind the safety cable loop and wrap the cable around the mounting bracket.
 - c. Thread the cable back through the lock.
 - d. Re-secure the lock by retightening the bolt.
2. Place the downrod's mount onto the mounting bracket.
3. Rotate the entire assembly until the tab has dropped into the mount's slot and locks itself in place.

The fan motor assembly should no longer rotate if seated properly.

Warning

Failure to properly fasten and seat the downrod can cause the fan to fall from the ceiling during operation.

DO NOT use the fan before ensuring it is properly secured and the motor assembly cannot rotate.



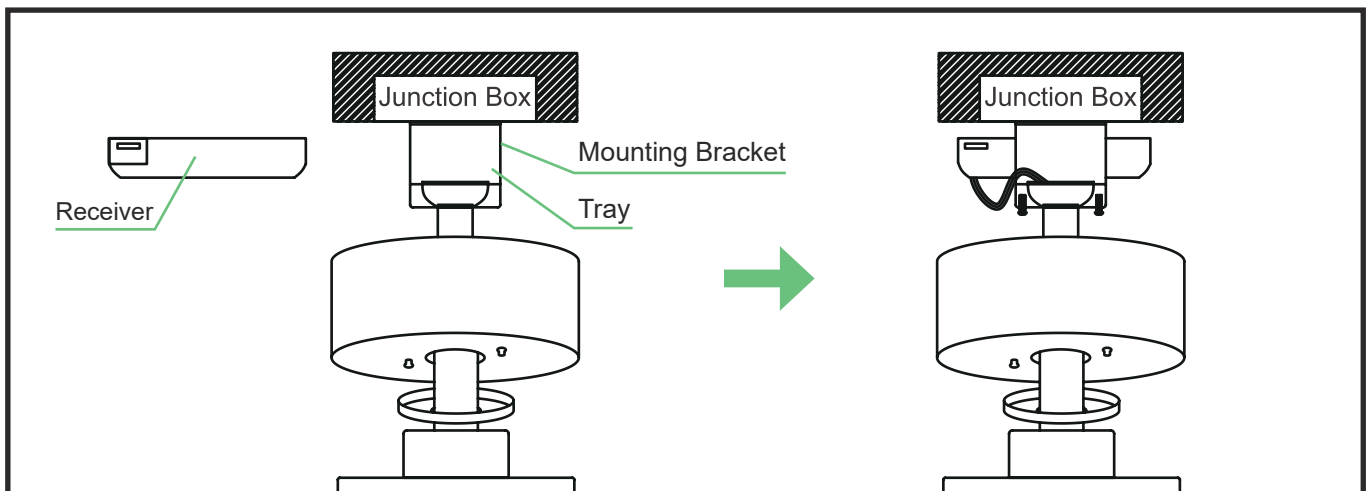
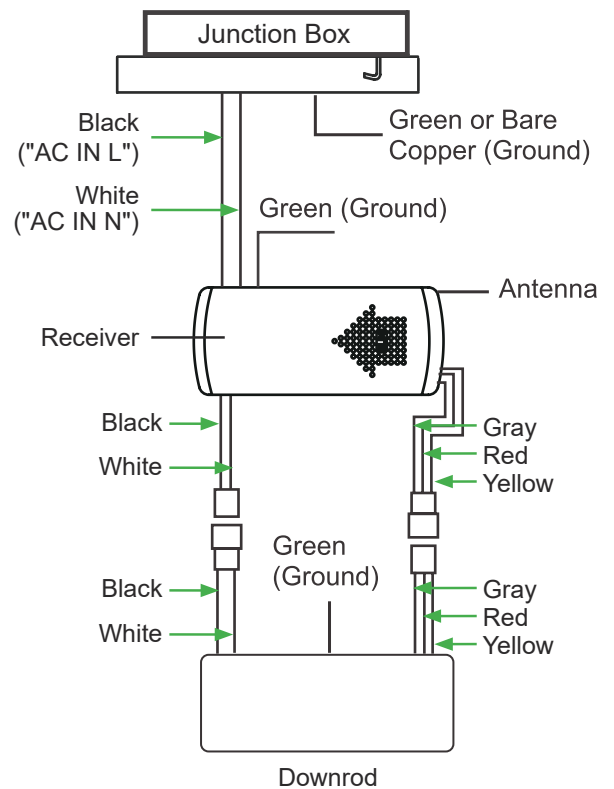
Installation

Main Wiring

Warning

- Again, ensure that the power has been cut before working with the wiring.
- Use the wire nuts provided with your fan.
- Secure each connection with electrical tape.
- **NEVER** modify or remove **ANY** wire plugs.
- Be sure that there are no loose wires or connections.

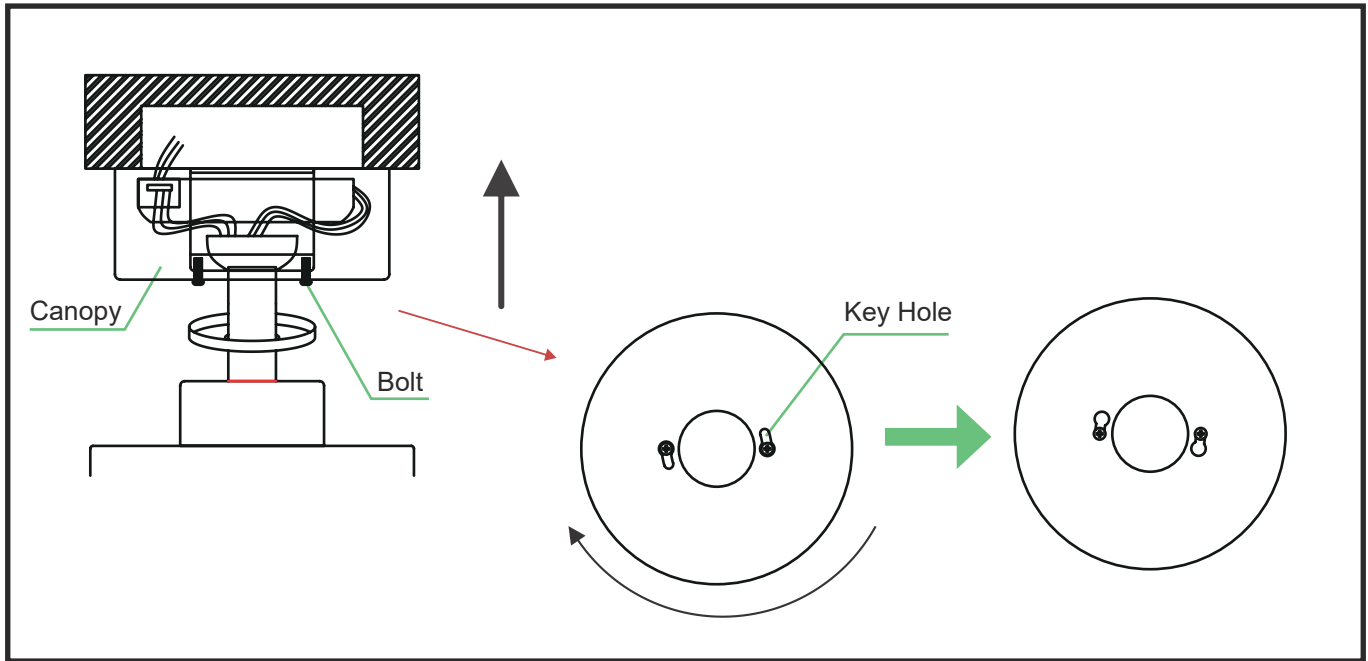
1. Connect the plugs of the receiver to those coming out of the downrod as shown.
2. Connect the wires.
 - a. Connect the 2 colored wires of the receiver to the 2 identically colored wires from the junction box.
Secure each set with the provided wire nuts, ensuring they are securely fastened by gently tugging on each connection.
 - b. Connect the green or bare copper ground wire from the junction box to the fan's green ground wires.
 - c. Separate the white and green wire connections from the black wire connection, which should be kept on the opposite side of the junction box.
3. Fit the receiver into the tray inside the mounting bracket and at the top of the fan motor assembly.
Ensure that the black antenna remains extended and not tangled with any of the electrical wires.
4. Tuck all the connections neatly into the junction box.



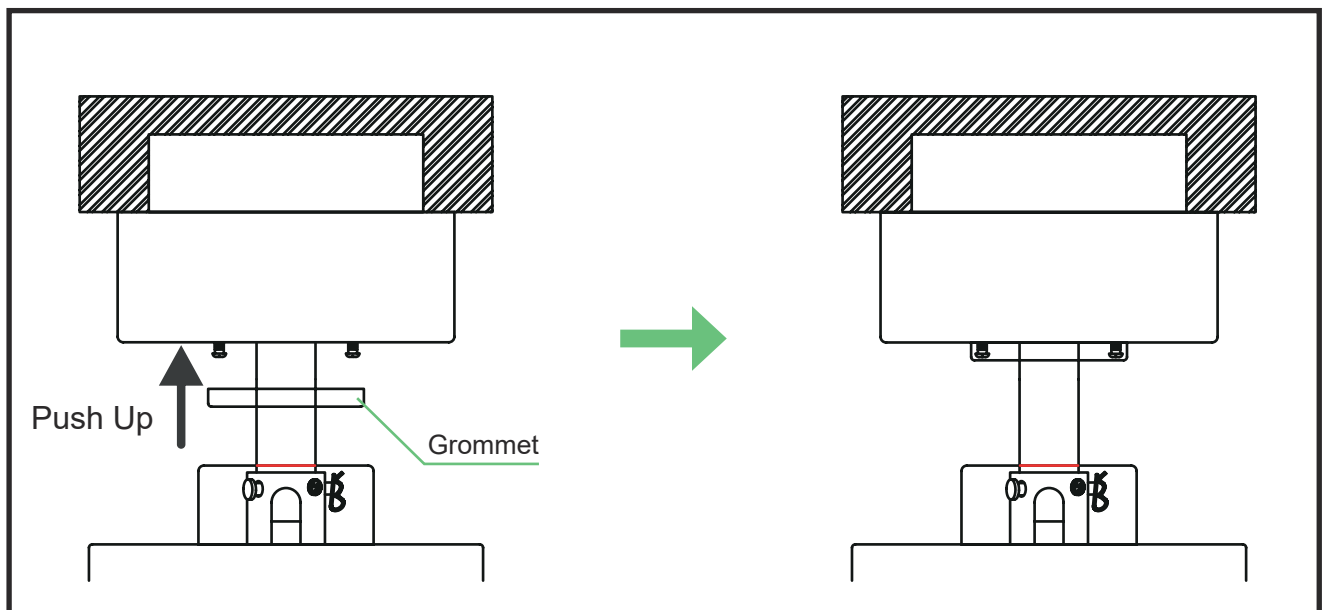
Installation

Canopy

1. Slide the canopy up to the mounting bracket.
2. Place the key holes over the bolts preinstalled on the bracket.
3. Rotate the canopy until the bolts' heads lock in place at the narrow sections of the key holes.
4. Tighten these bolts as needed.



5. Attach the grommet to the bottom of the canopy using its magnets.



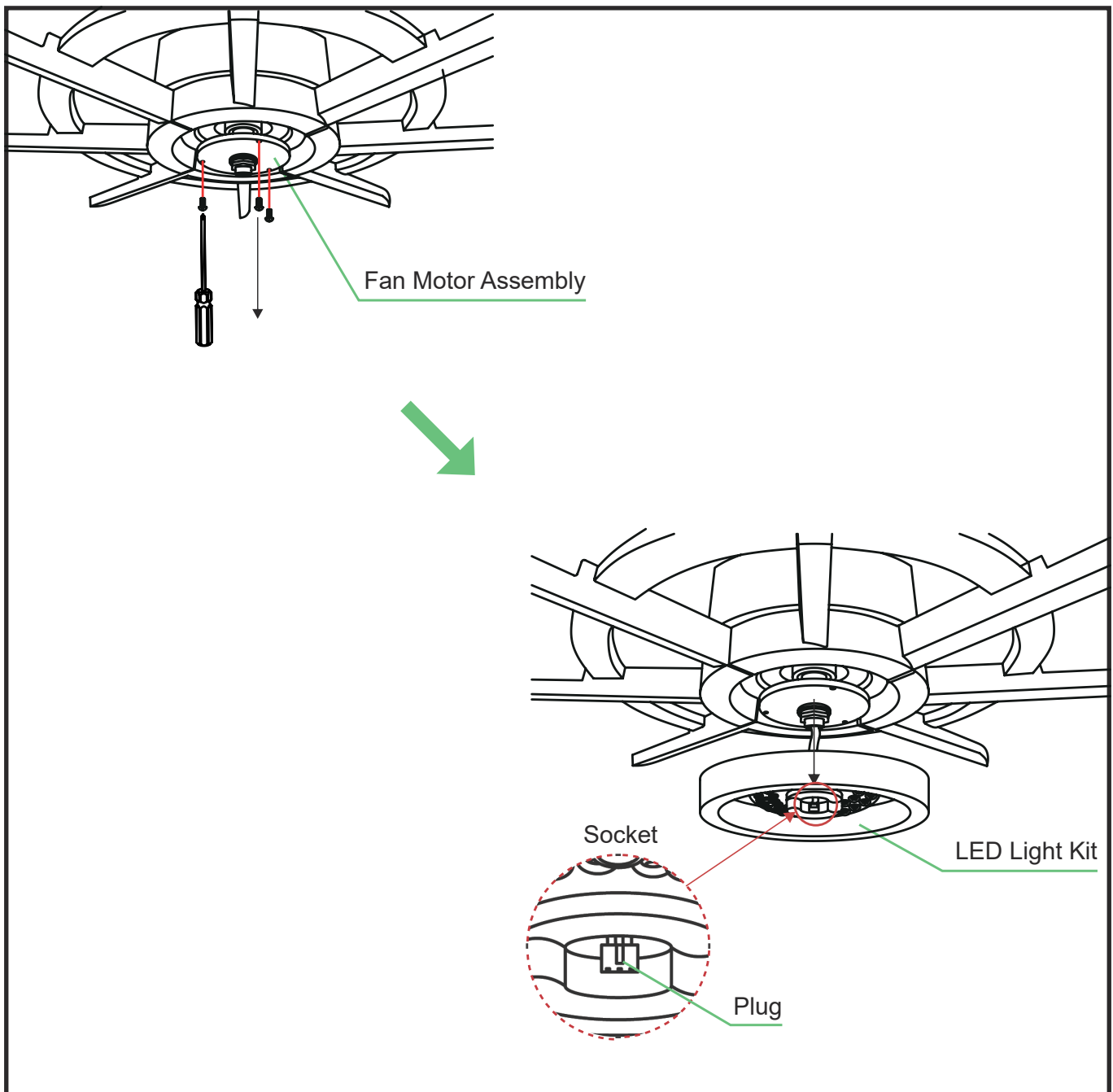
Installation

Light

Warning

- **NEVER** modify or remove the wire plug.
- **NEVER** connect the LED light kit to **ANY** other power sources or switches.

1. Remove the bolts from the bottom of the fan motor assembly.
2. Feed the wire plug of the fan motor assembly through the middle of the LED light kit.
3. Connect the wire plug to the socket on the LED light kit.



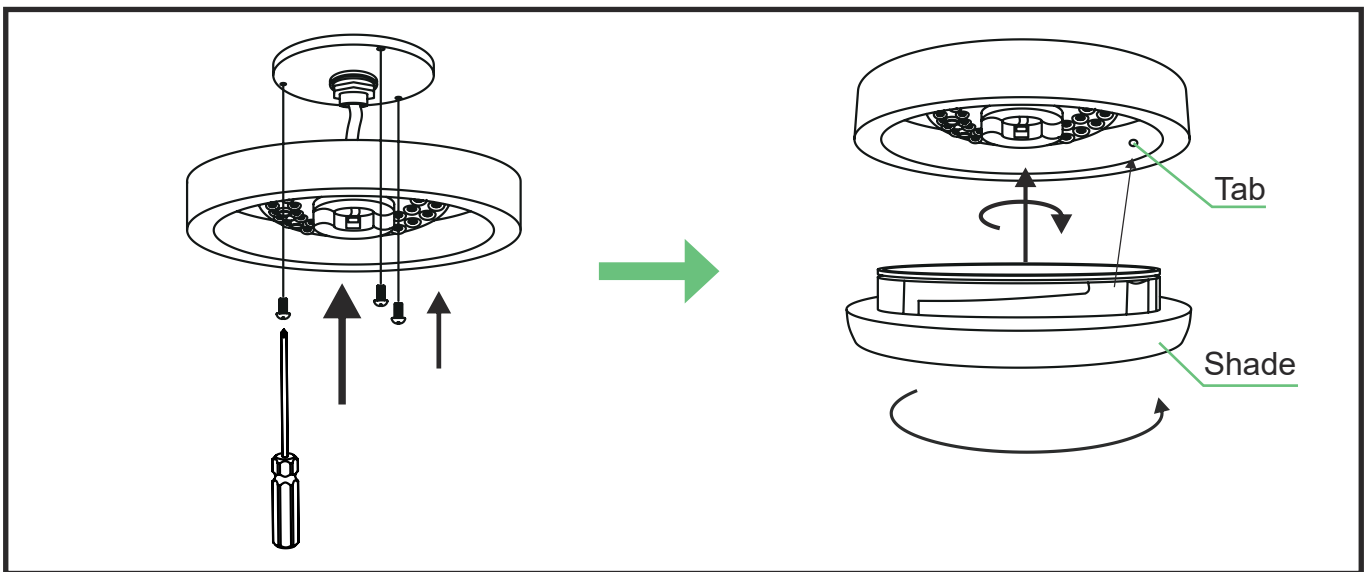
Installation

Light

4. Position the light's mounting plate against the motor, aligning their holes.
5. Replace and tighten the removed bolts to secure the LED light kit into place.
6. Fit the shade onto the LED light kit, rotating until it sits well on the tabs of the light plate.

Caution

Ensure the shade is firmly connected to avoid loosening during use.



Test

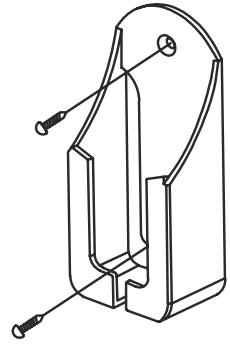
After installation, restore power to the line and use the remote control to test that the fan and light operate smoothly following the instructions on **Page 16**.

- If the fan and light cannot work, cut power and check **ALL** wire connections mentioned on **Page 12** and **Page 14**.
- If any looseness or unusual noise or vibration is detected, make necessary adjustments according to **Troubleshooting** on **Page 17** or seek professional assistance from trained technicians.

Remote Control Operation

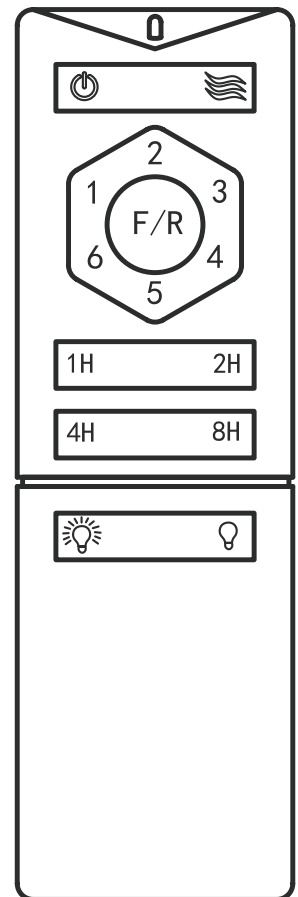
This remote operates within a range of 30 feet (10 m), using two 1.5V AAA batteries (not included). If the remote is not to be used for a prolonged period, it is recommended to remove the batteries for better service life.

If needed, install the remote control holder onto a wall or any other suitable flat surface using appropriate fasteners. For wood or other thinner and weaker surfaces, use the provided steel screws and plastic anchors. For reinforced concrete or similar surfaces, use anchor bolts for best results.



Note: If the remote cannot control your fan, refer to **Non-Rotation of the Fan Blades in Troubleshooting on Page 17.**

Keys	Functions
	Turns the fan off.
	Runs the fan in preset mode, alternately upshifting and downshifting the speed level (when pressed).
	Mutes or unmutes the function buttons (when held for 5 seconds).
1-6	Runs the fan at the indicated speed level from low (1) to high (6).
F/R	Reverses the fan's direction.
1H	Runs the fan for 1 hour and then turns it off.
2H	Runs the fan for 2 hours and then turns it off.
4H	Runs the fan for 4 hours and then turns it off.
8H	Runs the fan for 8 hours and then turns it off.
	Turns the light on.
	Turns the light off.



Color Temperature Adjustment

The LED light has 3 different color settings: Warm White (3000K), Cool White (4500K), and Daylight (6000K). To adjust the light settings,


1. Press on the remote control to turn on the LED light.
 2. Within 10 seconds, press to turn off the light.
 3. Within 10 seconds, press to turn on the light again with the next color temperature in order.
- Repeat these steps to toggle among 3 color temperatures.

Note: The light will retain its current color setting if any step is taken beyond 10 seconds.

Troubleshooting

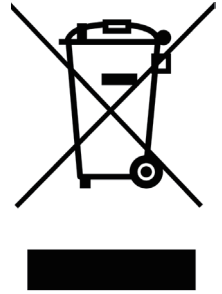
 **Caution**

DO NOT bend the blades when addressing any issues.

Problems	Solutions
Non-Rotation of the Fan Blades	Reconnect the fan to power. Within 10 seconds, hold  until you hear 3 consecutive beeps to successfully pair the remote control with your fan.
	Replace the remote control's batteries with new identical ones.
	Check that all parts are correctly installed and no fasteners interfere with the movement of the blades.
	Cut off power to the fan and correct the electrical connections.
	If using a wall switch, ensure it functions well or replace it as needed.
	Contact customer service to replace the faulty remote control with a new identical one and pair it with your fan as described above.
Excessive Noise	Upon initial installation, allow 24 hours of use for the fan to break itself in.
	Check that all fasteners are securely tightened.
	Ensure the canopy is not too close to your ceiling.
	Cut off power to the fan and check that the wire nut connections are not rubbing against one another or the inner housing.
	If you have installed a solid-state variable-speed control, cut off power to the fan and disconnect this control from the device. See if using the remote resolves the problem, which can be caused by erratic signals from such controls.
Excessive Wobble	Check that all fasteners are securely tightened.
	Use the provided balancing kit (a clip and two weights) to adjust the blades if their tips are found to have an unequal distance from the ceiling while well fastened. 1. Turn off the fan. 2. Place the balancing clip on the trailing edge of a blade. 3. Restart the fan to see if the wobble has eased. If it has not, shut off the fan, move the clip to the next blade, and reactivate the fan. Repeat this until finding the blade that is unbalanced.
	4. Deactivate the fan again, relocate the clip on the unbalanced blade, and restart the fan. Repeat this until the fan no longer wobbles.
	5. Press a weight on the top of the blade, making it well aligned with the clip.
	6. Restart the fan and confirm balance.
	7. Stop the fan and remove the clip.
	Exchange the positions of the blades.

Disposal

Electrical products should not be disposed of with household products. In the EU and UK, according to the European Directive 2012/19/EU for the disposal of electrical and electronic equipment and its implementation in national laws, used electrical products must be collected separately and disposed of at the collection points provided for this purpose. Locations in Australia, Canada, and the United States may have similar regulations. Contact your local authorities or dealer for disposal and recycling advice.



Customer Support and Policies

30-Day Return Policy

We offer a 30-Day Return Policy to ensure your satisfaction. If you're not happy with your purchase, contact our customer service within 30 days of purchase to initiate the return process. Please return the item in its original condition with all the packaging and accessories. Once we receive it, we'll promptly process your refund, making the return hassle-free and smooth. Your satisfaction is our priority.

1-Year Warranty

Enjoy peace of mind with our 1-Year Warranty. Your product is covered against material and workmanship defects for a full year from the purchase date. If any issues arise, contact our customer service, and we'll quickly address them. Again, your satisfaction is our priority.

Guaranteed Response Within 24 Hours

We are dedicated to ensuring your satisfaction. no inquiries are left unanswered for more than 24 hours. We treat each inquiry with the utmost seriousness, going above and beyond to provide a satisfactory response.